



US00D985060S

(12) **United States Design Patent** (10) **Patent No.:** **US D985,060 S**
Dowling et al. (45) **Date of Patent:** **** May 2, 2023**

(54) **GAME TABLE**
(71) Applicant: **SKEECH GAMES LLC**, Fort Collins, CO (US)
(72) Inventors: **Joshua Dowling**, Fort Collins, CO (US); **Zachary Dowling**, Timnath, CO (US)
(73) Assignee: **SKEECH Games, LLC**, Fort Collins, CO (US)

2,237,986 A * 4/1941 Gilford A63F 7/00
273/335
3,386,737 A 6/1968 Burgess
D215,220 S * 9/1969 Eide D21/784
D247,983 S * 5/1978 Lee D21/316
4,995,611 A * 2/1991 Goldthorpe A63F 7/36
108/62
D323,682 S * 2/1992 MacDermott D21/321
5,556,095 A * 9/1996 Stites A63B 67/14
273/126 R

(Continued)

FOREIGN PATENT DOCUMENTS

CA 66725 * 8/1990
CN 202030759450.5 * 7/2021

(Continued)

OTHER PUBLICATIONS

Amazon Website, Playcraft Montauk Shuffleboard Table, Earliest Available Date: Jan. 18, 2018, [Website Visited on Jun. 8, 2022], Available on the internet URL <https://www.amazon.com/Playcraft-Montauk-9-Shuffleboard-Table/dp/B0794VF2L2/> (Year: 2018).*

(Continued)

Primary Examiner — S. Bryan Reinholdt, Jr.
Assistant Examiner — James T Tyree
(74) *Attorney, Agent, or Firm* — Cochran Freund & Young LLC; William W. Cochran

(57) **CLAIM**

The ornamental design for a game table, as shown and described.

DESCRIPTION

FIG. 1 is a front-side perspective view of a game table; and, FIG. 2 is a top view of the game table of FIG. 1. The broken lines in FIG. 1 form no part of the claimed design.

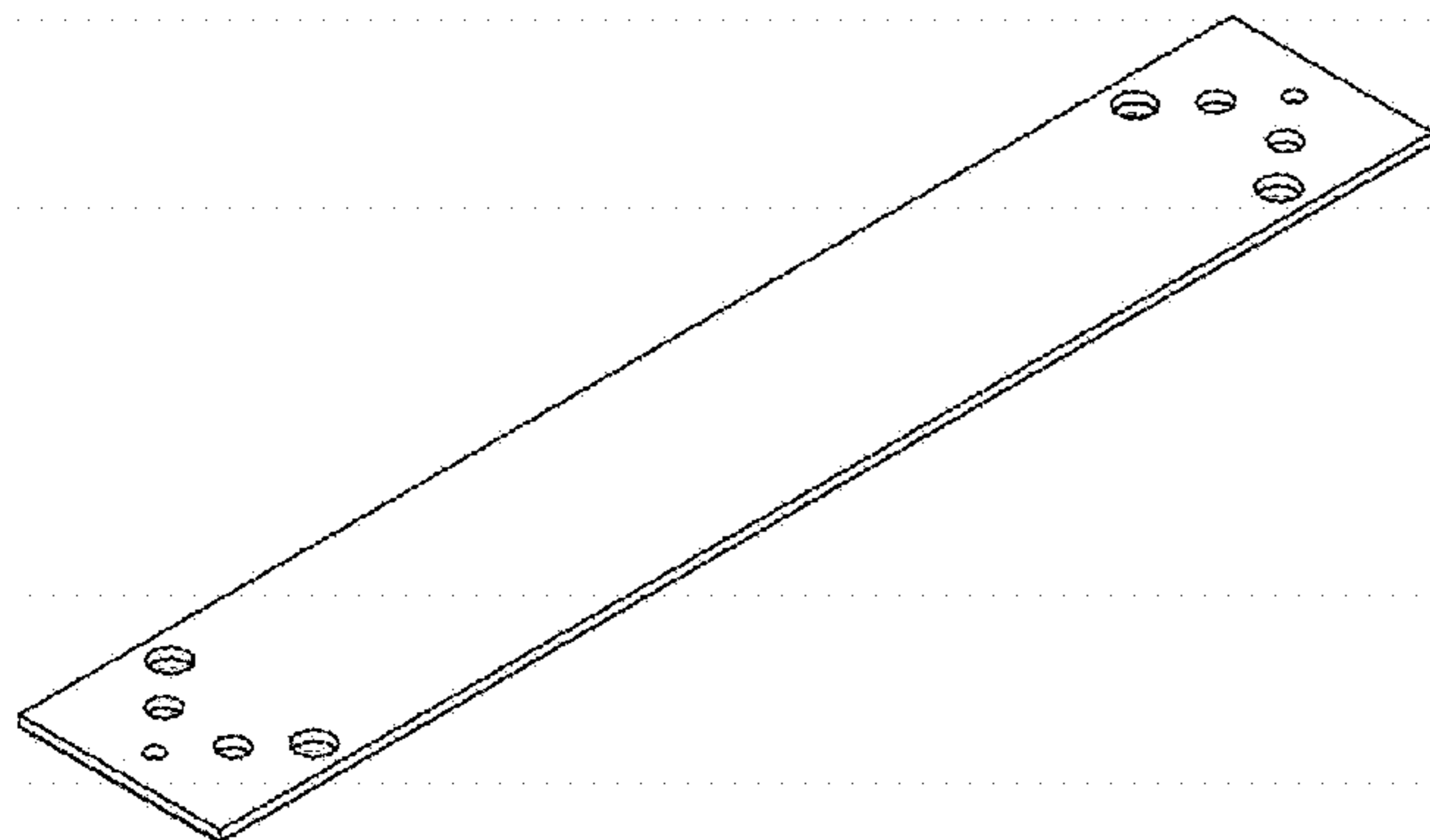
1 Claim, 1 Drawing Sheet

(**) Term: **15 Years**
(21) Appl. No.: **29/731,463**
(22) Filed: **Apr. 15, 2020**
(51) **LOC (14) Cl.** **21-01**
(52) **U.S. Cl.**
USPC **D21/397**; D21/300; D21/385
(58) **Field of Classification Search**
USPC D21/397, 334, 342
CPC A63F 1/067; A63F 3/00895; A63F 2003/00457; A63F 2003/00485; A63F 2003/00514; A63F 2003/00974; A63F 2003/00977; A63F 2003/00981; A63F 2007/0047; A63F 2007/304; A63F 2007/3681; A63F 7/0023; A63F 7/36; A63F 7/00; A47B 25/00; A47B 13/08
See application file for complete search history.

(56) **References Cited**

U.S. PATENT DOCUMENTS

952,644 A 3/1910 Sato
1,144,529 A * 6/1915 Crampton A63D 3/00
473/107
1,314,843 A 9/1919 West
1,589,904 A 6/1926 Schilke
1,714,905 A 5/1929 Dieterich
2,005,660 A 6/1935 Maxwell



(56)

References Cited

U.S. PATENT DOCUMENTS

D385,307 S * 10/1997 Balkisson D21/397
 5,865,681 A * 2/1999 Tudek A63F 7/0017
 473/15
 D407,764 S * 4/1999 Ashton D21/397
 D537,888 S * 3/2007 Boettcher D21/397
 D538,355 S * 3/2007 Tyson D21/317
 D540,570 S * 4/2007 Bibi D21/397
 7,325,807 B1 * 2/2008 Eason A63B 67/002
 273/342
 7,516,960 B1 * 4/2009 Battiste A47B 25/00
 273/342
 8,176,745 B1 * 5/2012 Korza F25D 31/008
 62/258
 8,205,887 B2 * 6/2012 Wyland A63B 67/066
 273/342
 D663,364 S * 7/2012 Allmandinger D21/397
 8,226,087 B2 * 7/2012 Brustmeyer A63B 67/066
 273/342
 8,439,359 B2 * 5/2013 Stites A63B 67/04
 273/126 R
 D688,749 S * 8/2013 Pavony D21/303
 8,662,501 B1 * 3/2014 Perales A63B 67/066
 273/400
 D706,353 S * 6/2014 Montenare D21/303
 D706,354 S * 6/2014 Montenare D21/303
 D706,355 S * 6/2014 Montenare D21/303
 D714,393 S * 9/2014 Harrell D21/397
 D723,627 S * 3/2015 Sheild D21/397
 9,168,450 B1 * 10/2015 Stanford A63D 3/02
 D743,491 S * 11/2015 Fissell D21/397
 D754,797 S * 4/2016 Fissell D21/397
 D757,858 S * 5/2016 Guridi D21/397
 9,738,295 B1 * 8/2017 Horowitz B62B 1/12
 D809,070 S * 1/2018 Fissell D21/397
 D835,195 S * 12/2018 Gonzales, Jr. D21/397
 D836,726 S * 12/2018 Wasserman D21/397
 D844,353 S * 4/2019 Horowitz D6/687
 D854,622 S * 7/2019 Fissell D21/397
 D885,489 S * 5/2020 Anderson D21/397

D915,526 S * 4/2021 Bailey D21/478
 2004/0188942 A1 * 9/2004 Trokan A63F 7/0017
 273/342
 2006/0226606 A1 * 10/2006 Finley A63B 67/002
 273/342
 2008/0006185 A1 * 1/2008 Peng A47B 25/00
 108/115
 2011/0266751 A1 * 11/2011 Tsai A63D 15/00
 273/309
 2015/0165308 A1 6/2015 Huang
 2017/0197141 A1 * 7/2017 Bellamy A63F 7/30
 2018/0049547 A1 * 2/2018 Wasserman A47B 3/0912
 2020/0324191 A1 * 10/2020 Dowling A63F 7/0017
 2020/0346101 A1 * 11/2020 Connor A63B 67/002
 2022/0118329 A1 * 4/2022 Anderson A63F 7/00

FOREIGN PATENT DOCUMENTS

EP 0364882 B1 4/1994
 JP 2014180527 A 9/2014

OTHER PUBLICATIONS

Amazon Website, Shuffleboard Table, Earliest Available Date: Nov. 25, 2021, [Website Visited on Jun. 8, 2022], Available on the internet URL <https://www.amazon.com/Shuffleboard-Accessories-Powder-Scorers-Indoor/dp/B09MKLLN3W/> (Year: 2021).
 Instagram Website, skeechgames, Earliest available date Date: Sep. 30, 2019, [Website Visited on Oct. 6, 2022], Available on the internet URL https://www.instagram.com/p/B3DeYTyll_/ (Year: 2019).
 Skee Roll, retrieved from internet at <<http://www.allisonsfuninc.com/inventory/m.directory/78/view/646>> on Apr. 15, 2020 1 page.
 Bank Shot, retrieved from internet at <<https://www.pinterest.com/pin/280982464228140204/>> on Apr. 15, 2020, 1 page.
 Rollaball, retrieved from internet at <https://data.dlf.org.uk/product.php?product_id=0030795&groupid=1678> on Apr. 15, 2020, 1 page.

* cited by examiner

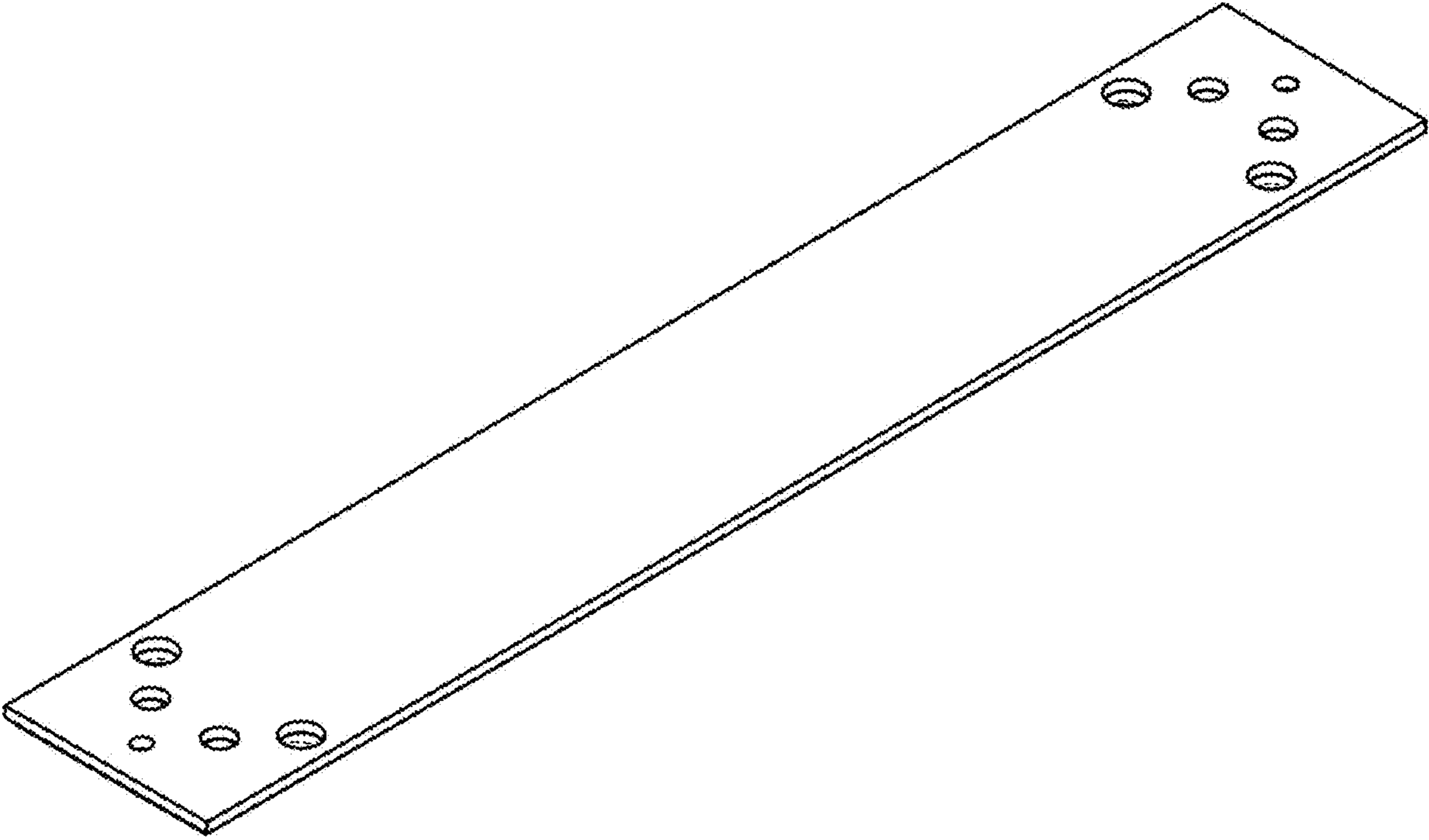


FIG. 1



FIG. 2