



US00D985059S

(12) **United States Design Patent** (10) **Patent No.:** **US D985,059 S**  
**Carman et al.** (45) **Date of Patent:** **\*\* May 2, 2023**

- (54) **SUCTION DART**
- (71) Applicant: **PD Games, LLC**, Coatesville, PA (US)
- (72) Inventors: **Joshua M. Carman**, Coatesville, PA (US); **Jason R. Carman**, Charleston, SC (US)
- (73) Assignee: **PD Games, LLC**, Coatesville, PA (US)
- (\*\*) Term: **15 Years**
- (21) Appl. No.: **29/795,075**
- (22) Filed: **Jun. 16, 2021**

**Related U.S. Application Data**

- (63) Continuation-in-part of application No. 17/008,105, filed on Aug. 31, 2020, now abandoned.
- (51) **LOC (14) Cl.** ..... **21-01**
- (52) **U.S. Cl.**  
USPC ..... **D21/387**; D21/301; D21/307
- (58) **Field of Classification Search**  
USPC ..... D21/301, 306, 307, 387, 570, 571  
CPC .... F42B 6/003; F42B 6/08; F42B 6/04; F42B 6/06; F41J 3/0009; F41J 3/0014; F41J 3/0019; F41J 3/0023; F41J 3/0028; F41J 3/0033; F41J 3/0038; F41J 3/0042; F41J 3/0047; F41J 3/0052; F41J 3/0057; A63F 2009/0221; A63F 2009/023; A63F 9/0278; A63F 2009/0269; A63H 33/18  
See application file for complete search history.

(56) **References Cited**

**U.S. PATENT DOCUMENTS**

- 1,601,885 A \* 10/1926 Samsel ..... F42B 6/003  
D21/387
- 1,774,765 A \* 9/1930 Schoen ..... F41J 3/0038  
D21/307
- 1,918,718 A \* 7/1933 Samsel ..... F42B 6/003  
273/DIG. 25

- 2,011,749 A 8/1935 Brading
  - 3,801,102 A \* 4/1974 Lohr ..... F42B 6/003  
29/451
  - 3,954,266 A 5/1976 Carrano et al.
  - 4,030,761 A \* 6/1977 Daller ..... F42B 6/003  
446/216
  - D253,663 S \* 12/1979 Cagan ..... D21/387
  - 4,537,176 A 8/1985 Stravitz et al.
- (Continued)

**FOREIGN PATENT DOCUMENTS**

- CN 305870446 \* 5/2020

**OTHER PUBLICATIONS**

Popdarts, Suction Cup Throwing Game, published Apr. 30, 2021 [online]. Retrieved from internet (Date: Jan. 17, 2023), [https://www.amazon.com/POPDARTS-Original-Game-Blue-Green/dp/B093RQ1P72/ref=cm\\_cr\\_ar\\_p\\_d\\_product\\_top?ie=UTF8](https://www.amazon.com/POPDARTS-Original-Game-Blue-Green/dp/B093RQ1P72/ref=cm_cr_ar_p_d_product_top?ie=UTF8) (Year: 2021).\*

(Continued)

*Primary Examiner* — Katherine A Holbrow  
*Assistant Examiner* — Riya Salil Kamat  
(74) *Attorney, Agent, or Firm* — Olav M. Underdal; IDP Patent Service

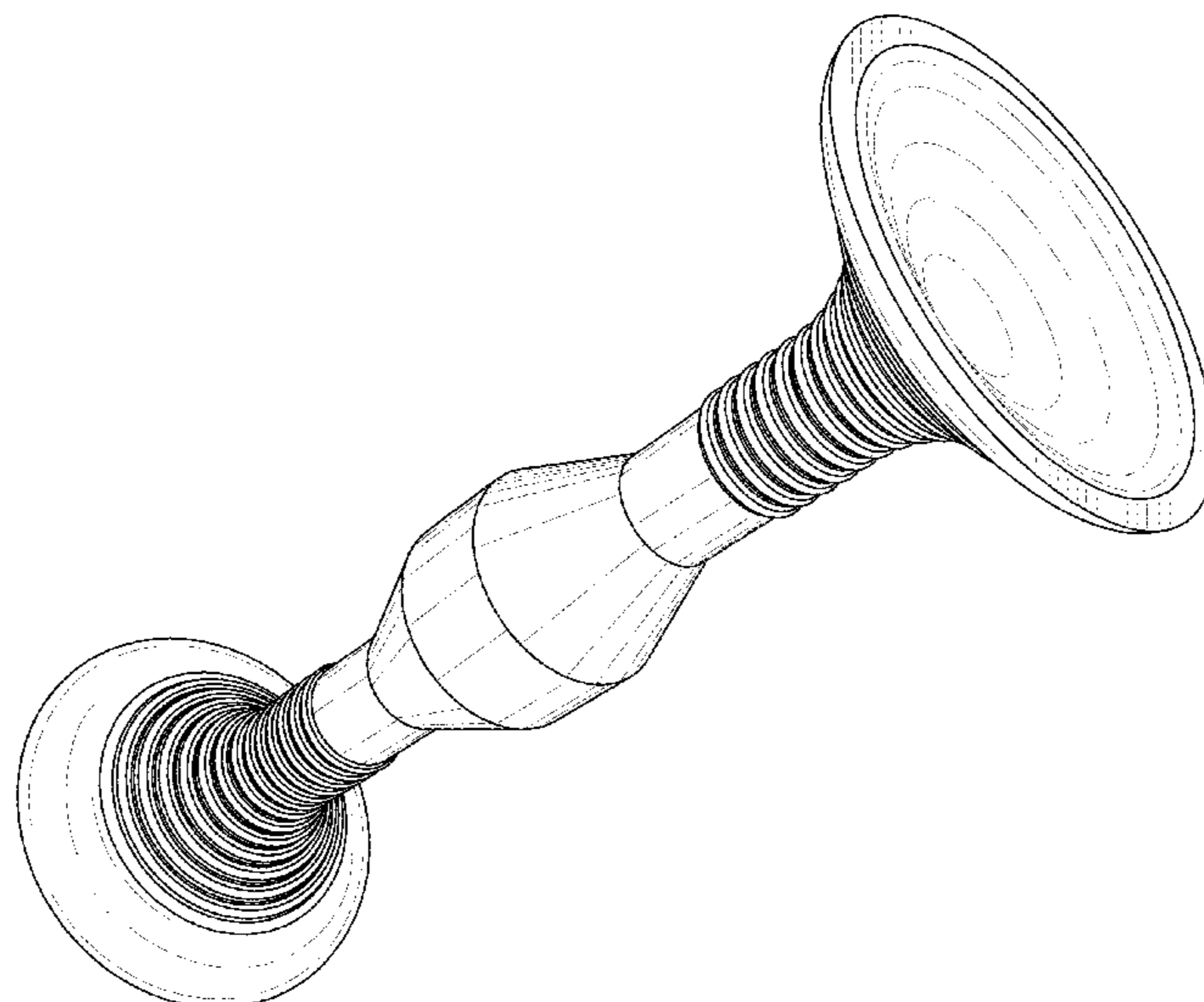
(57) **CLAIM**

The ornamental design for a suction dart, as shown and described.

**DESCRIPTION**

FIG. 1 is a front perspective view of a suction dart showing our new design;  
FIG. 2 is a rear perspective view thereof;  
FIG. 3 is a right side elevational view thereof, the left side, top, and bottom being a mirror image thereof;  
FIG. 4 is a front elevational view thereof, the rear being a mirror image thereof; and,  
FIG. 5 is a cross-sectional view thereof, taken along section line 5-5 of FIG. 4.

**1 Claim, 4 Drawing Sheets**





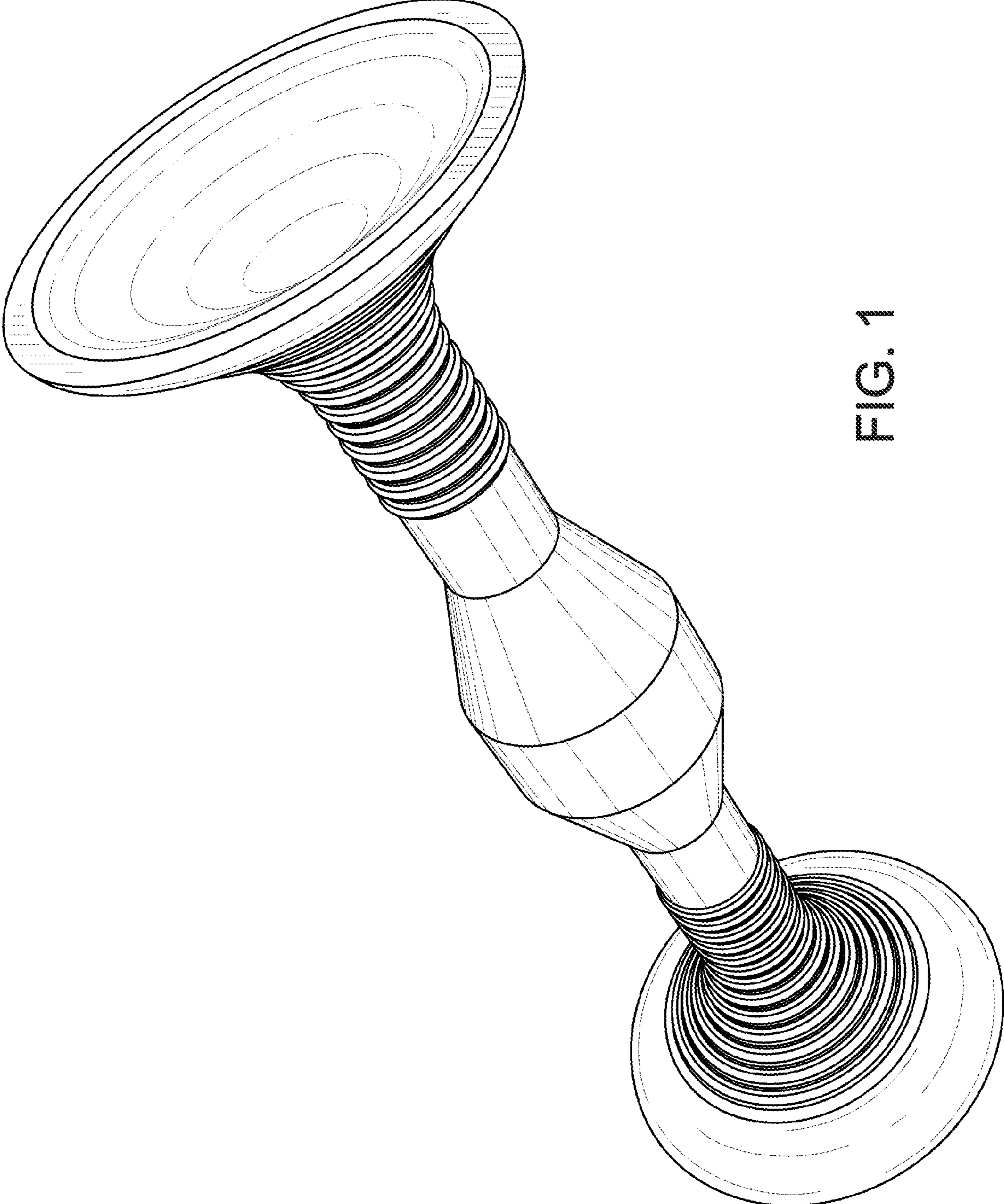


FIG. 1



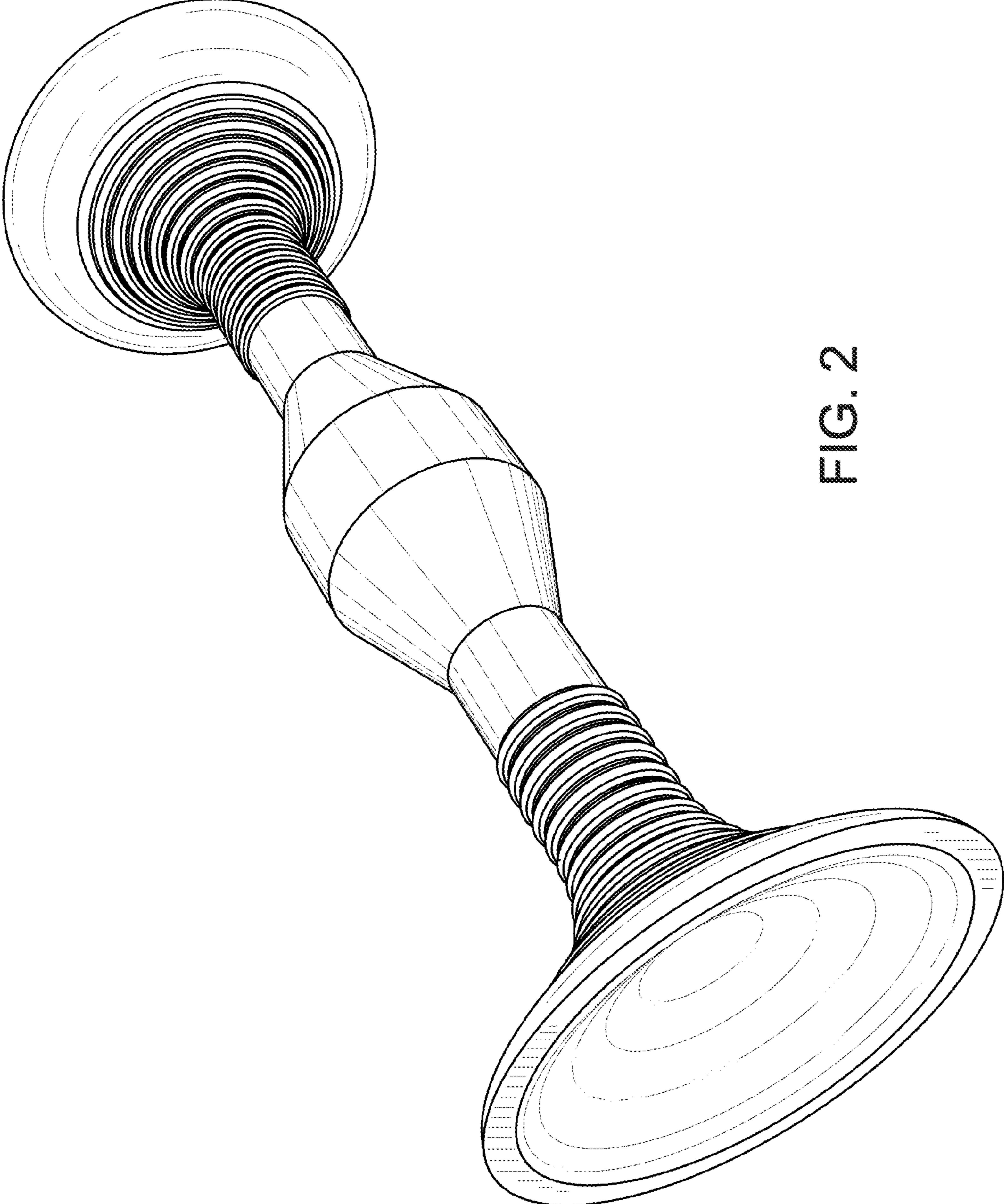


FIG. 2

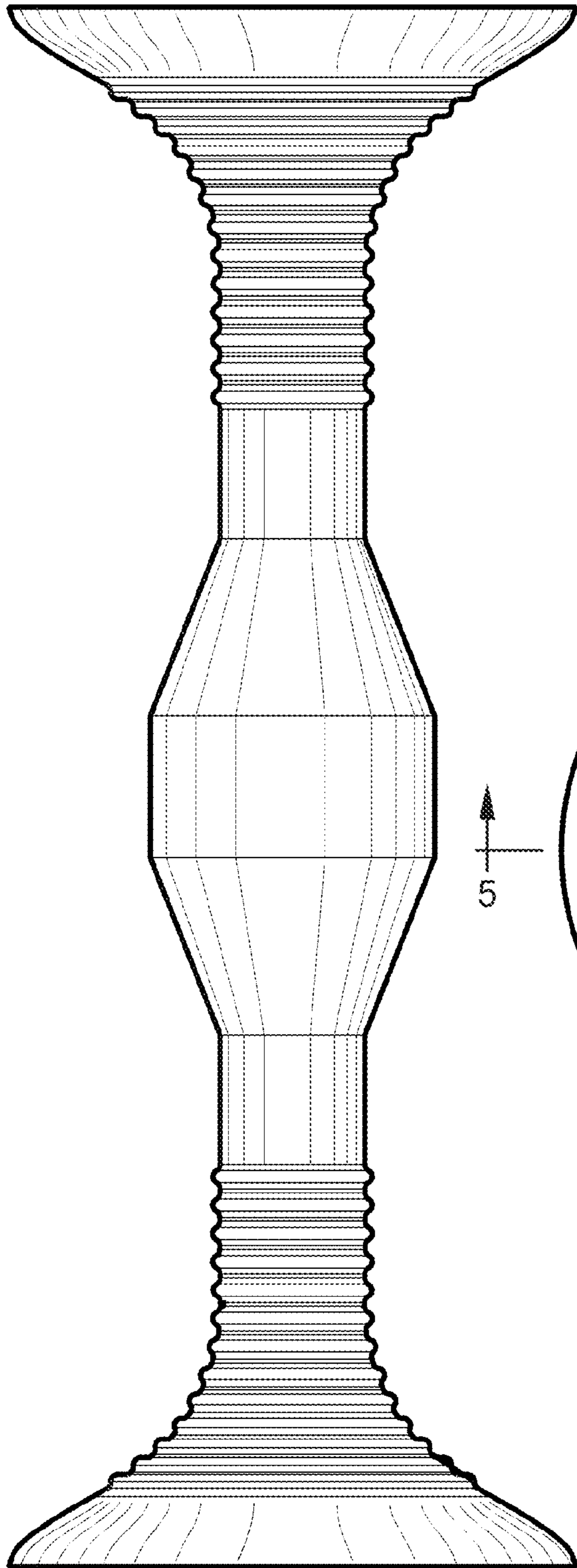


FIG. 3

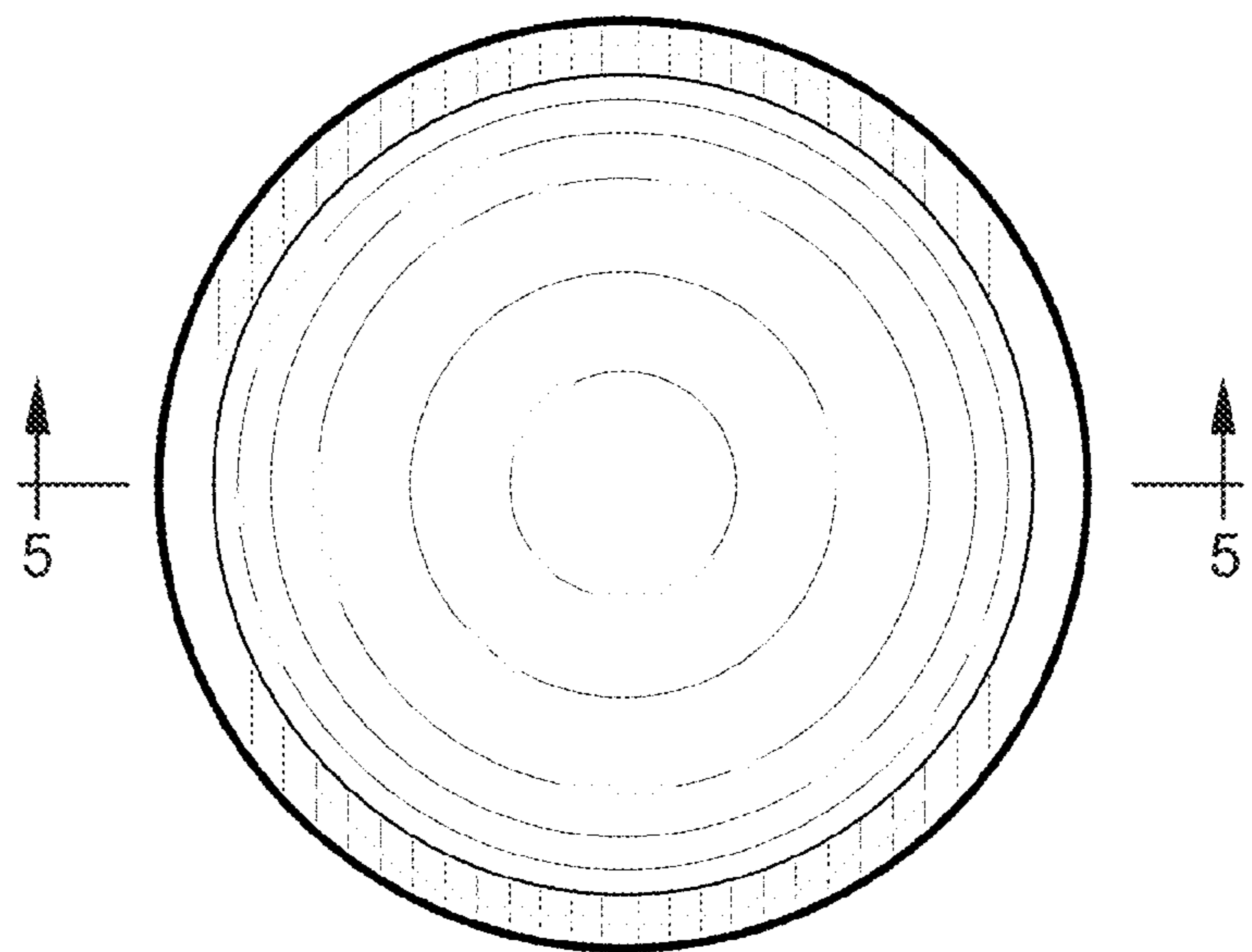


FIG. 4

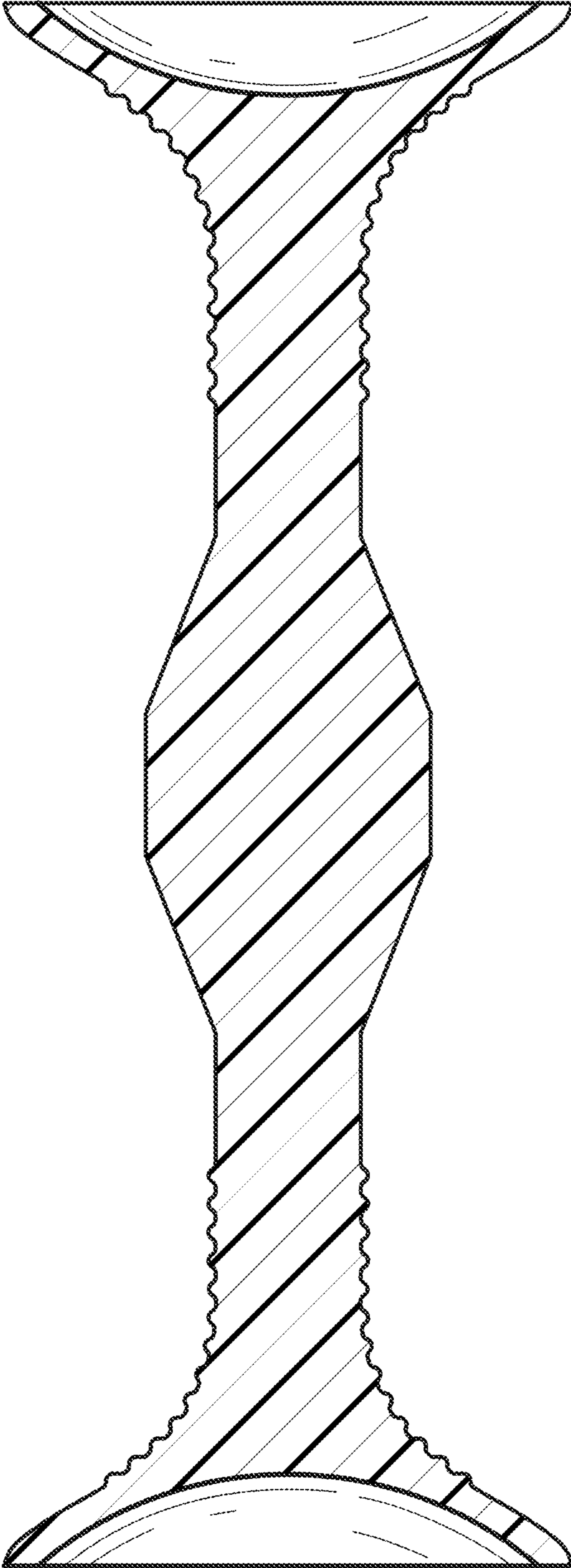


FIG. 5