



US00D985053S

(12) **United States Design Patent**
Yasuda et al.

(10) **Patent No.:** **US D985,053 S**
(45) **Date of Patent:** **** May 2, 2023**

- (54) **GAME DEVICE**
- (71) Applicant: **BANDAI CO., LTD.**, Tokyo (JP)
- (72) Inventors: **Erika Yasuda**, Tokyo (JP); **Yuri Okamoto**, Tokyo (JP); **Tadanori Kanemura**, Tokyo (JP); **Megumi Shiina**, Tokyo (JP)
- (73) Assignee: **BANDAI CO., LTD.**, Tokyo (JP)
- (**) Term: **15 Years**
- (21) Appl. No.: **29/816,621**
- (22) Filed: **Nov. 23, 2021**
- (51) **LOC (14) Cl.** **21-01**
- (52) **U.S. Cl.**
USPC **D21/329**
- (58) **Field of Classification Search**
USPC D21/324, 329, 332-337, 566, 572-574, D21/328; D14/217, 218, 356, 387, 388, D14/389, 400, 401, 415, 418, 426-431, D14/443, 447, 449, 450, 454, 455, 471, D14/474, 483, 496, 511; D13/164, 168
CPC .. A63F 13/00; A63F 13/02; A63F 9/00; G06F 17/00; G06F 19/00
See application file for complete search history.

D455,793 S *	4/2002	Lin	D14/496
6,652,383 B1 *	11/2003	Sonoda	A63F 13/12 463/43
D538,821 S *	3/2007	Bender	D14/203.6
D546,397 S *	7/2007	Sakurai	D21/329
D562,787 S *	2/2008	Kim	D14/126
D579,428 S *	10/2008	Lee	D14/126
D582,990 S *	12/2008	Streeter	D21/369
D590,839 S *	4/2009	Lewis	D14/496
D616,415 S *	5/2010	Lum	D14/188
D623,700 S *	9/2010	Murase	D21/329
D627,830 S *	11/2010	Araki	D21/329
D627,832 S *	11/2010	Xu	D21/333
8,545,324 B2 *	10/2013	Murase	A63F 13/235 463/40
D724,060 S *	3/2015	Ahn	D14/218
D756,333 S *	5/2016	Smith	D13/168
D766,217 S *	9/2016	Smith	D14/218
D803,944 S *	11/2017	Kitsugi	D21/329
D835,199 S *	12/2018	Inuyama	D21/333
D952,745 S *	5/2022	Urabe	D21/329
D955,487 S *	6/2022	Kitsugi	D21/329

* cited by examiner

Primary Examiner — Mehri F Bajoul
(74) *Attorney, Agent, or Firm* — Rabin & Berdo, P.C.

(57) **CLAIM**

The ornamental design for a game device, as shown and described.

DESCRIPTION

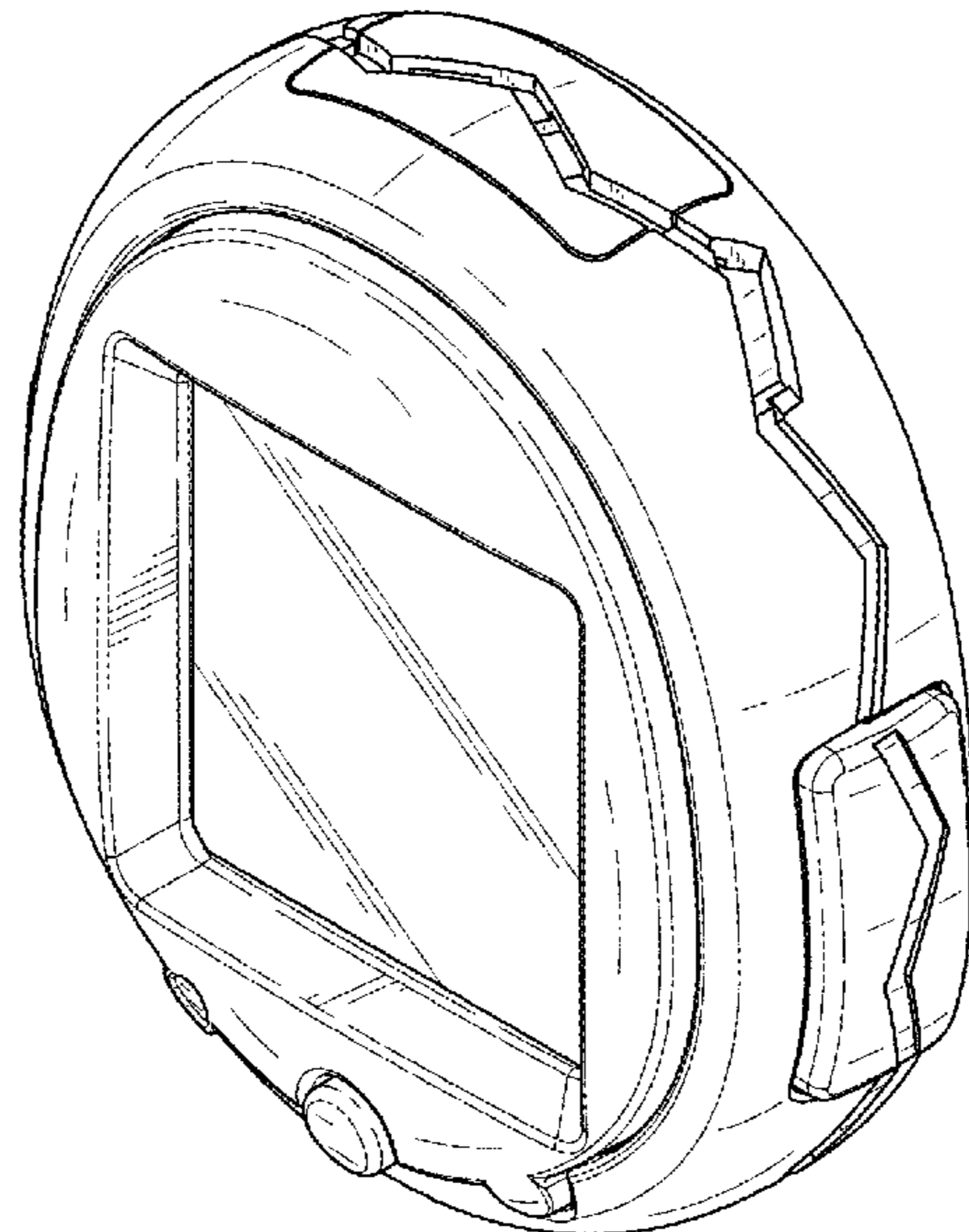
FIG. 1 is a perspective view of a game device showing the new design;
FIG. 2 is another perspective view thereof;
FIG. 3 is a front elevational view thereof;
FIG. 4 is a rear elevational view thereof;
FIG. 5 is a top plan view thereof;
FIG. 6 is a bottom view thereof;
FIG. 7 is a left side elevational view thereof; and,
FIG. 8 is a right side elevational view thereof.

1 Claim, 4 Drawing Sheets

(56) **References Cited**

U.S. PATENT DOCUMENTS

D344,549 S *	2/1994	Nakazawa	D21/311
D398,659 S *	9/1998	Yokoi	D21/333
D405,125 S *	2/1999	Yokoi	D21/329
D405,475 S *	2/1999	Yokoi	D21/329
D407,760 S *	4/1999	Yokoi	D21/329
D421,775 S *	3/2000	Goto	D21/329
D425,571 S *	5/2000	Goto	D21/329
D426,858 S *	6/2000	Straus	D21/329
6,227,966 B1 *	5/2001	Yokoi	A63F 13/005 463/1



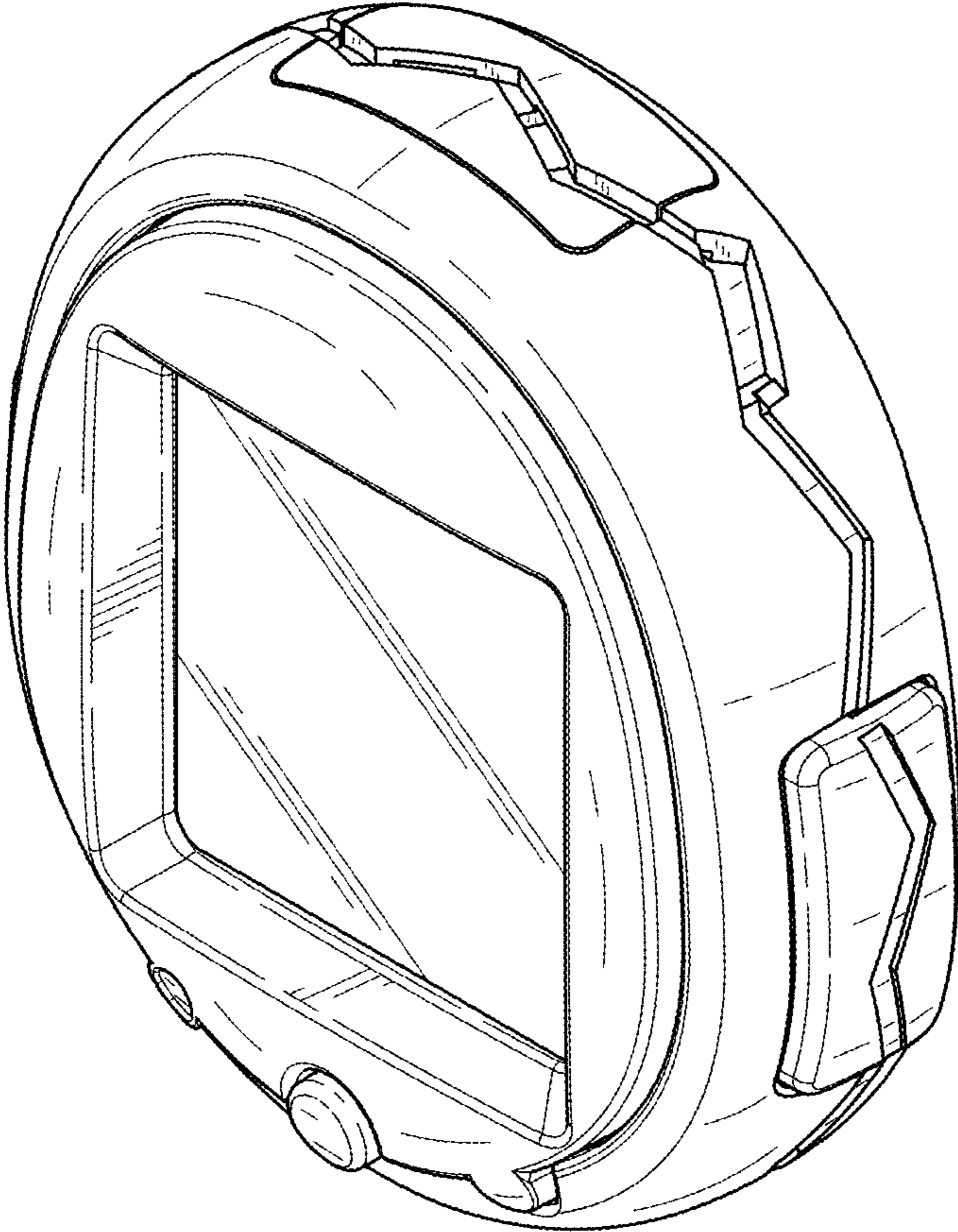


FIG. 1

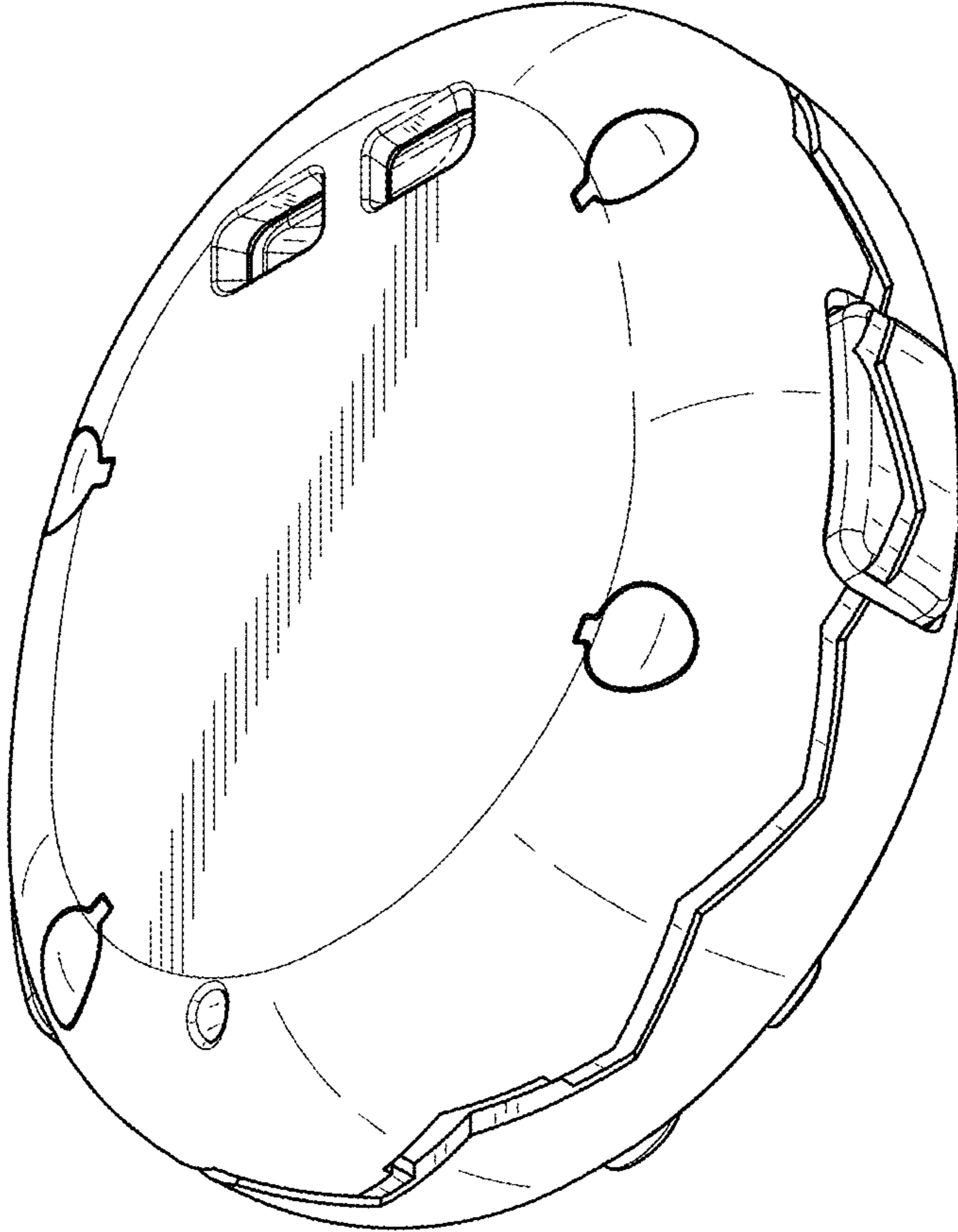


FIG. 2

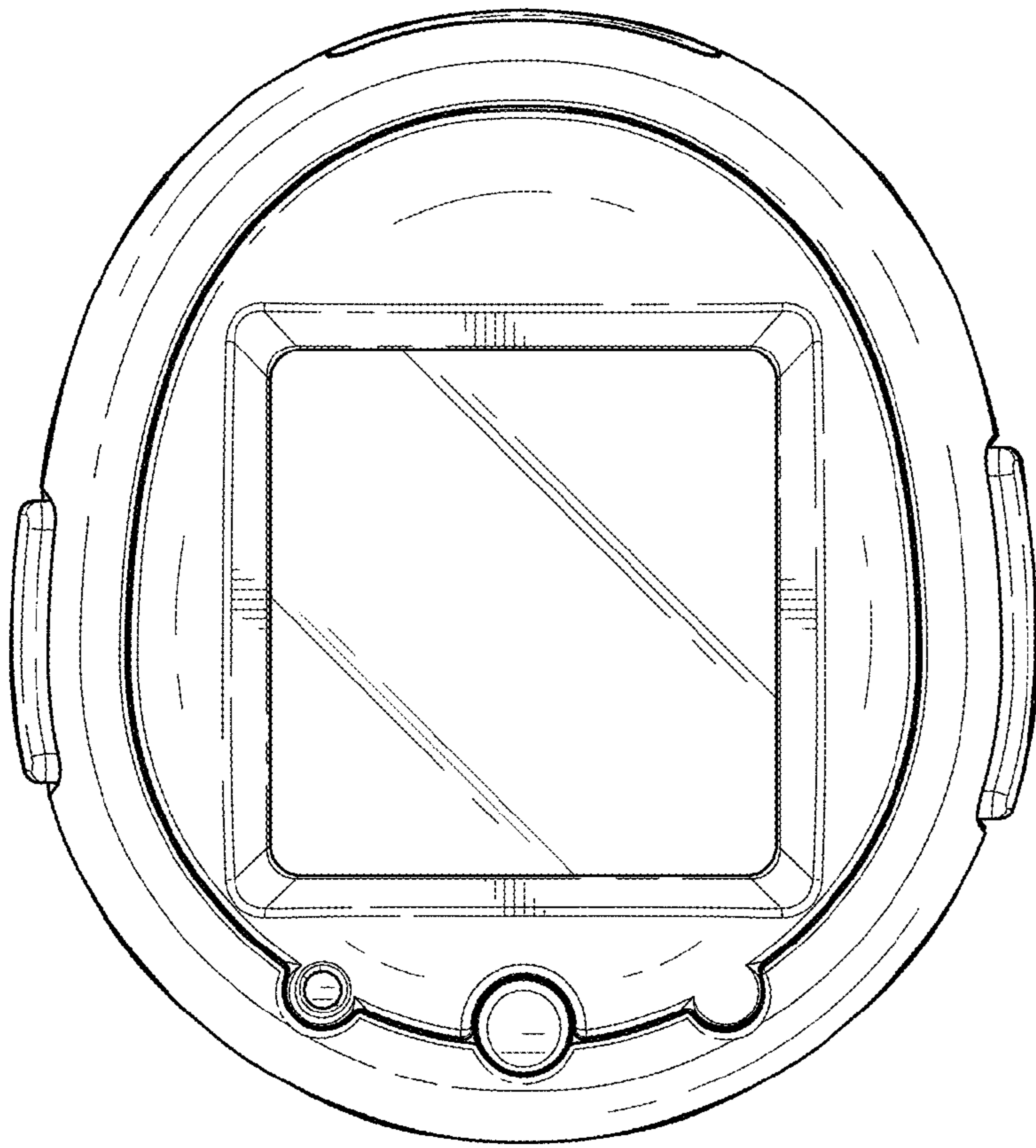


FIG. 3

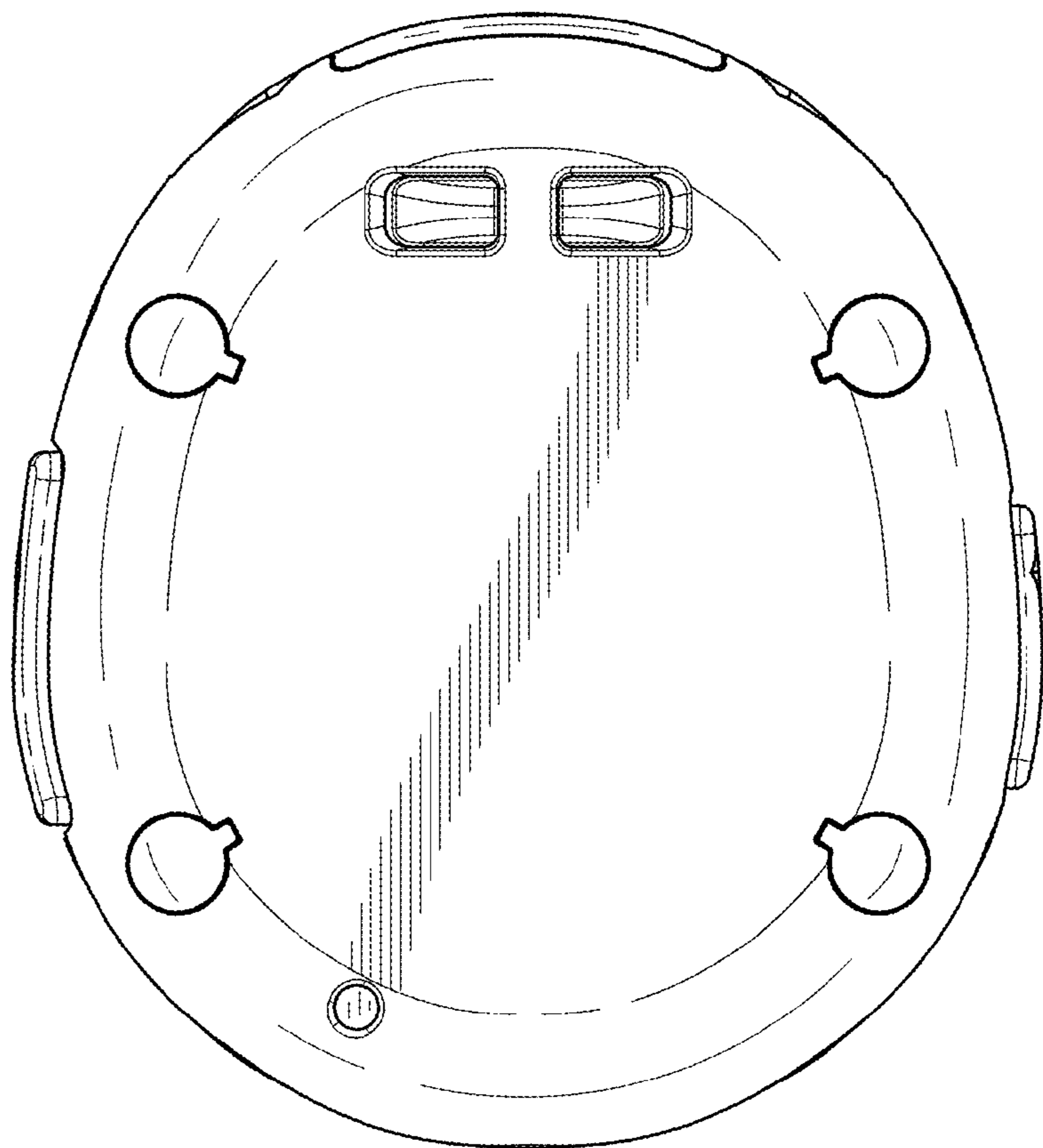


FIG. 4

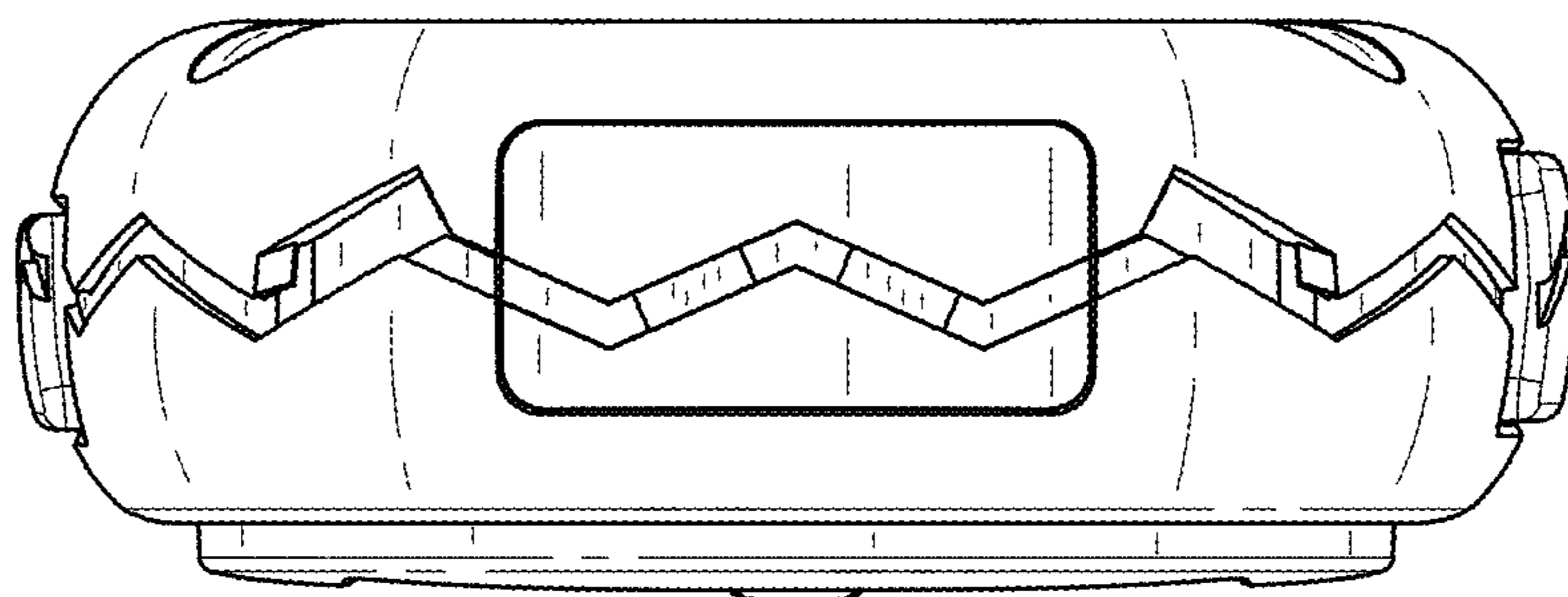


FIG. 5

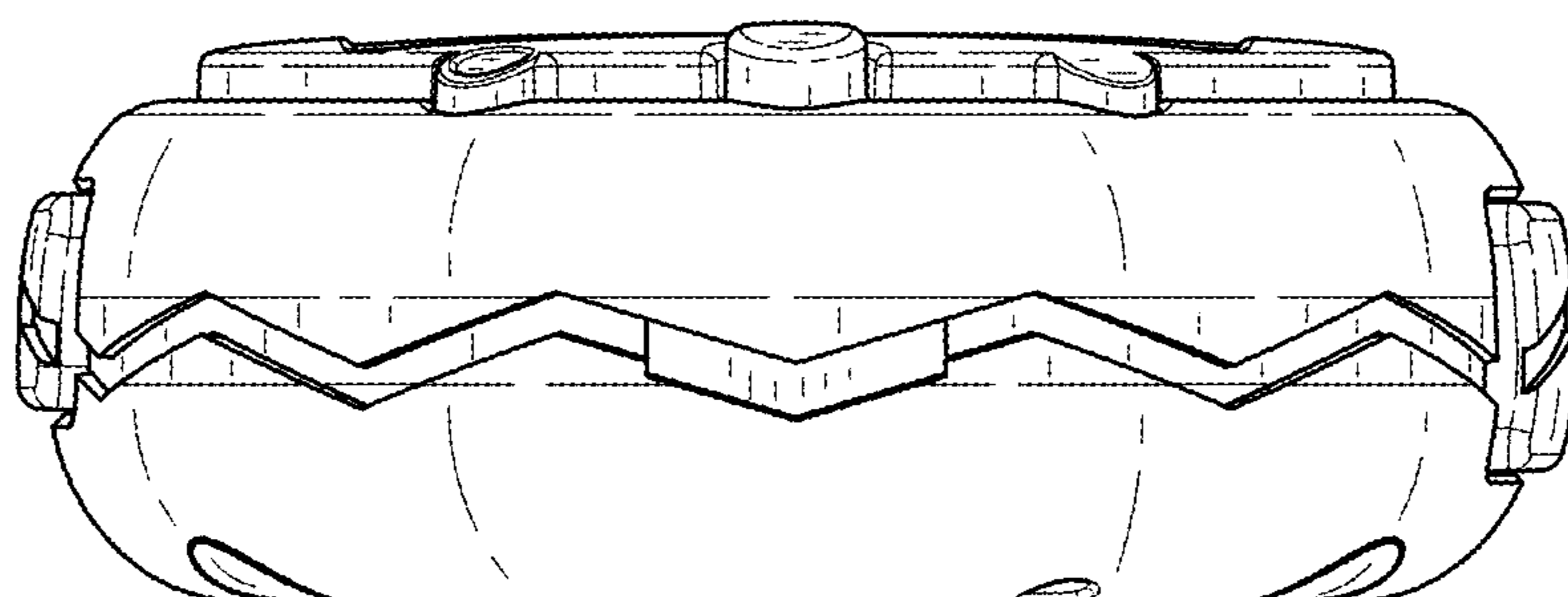


FIG. 6

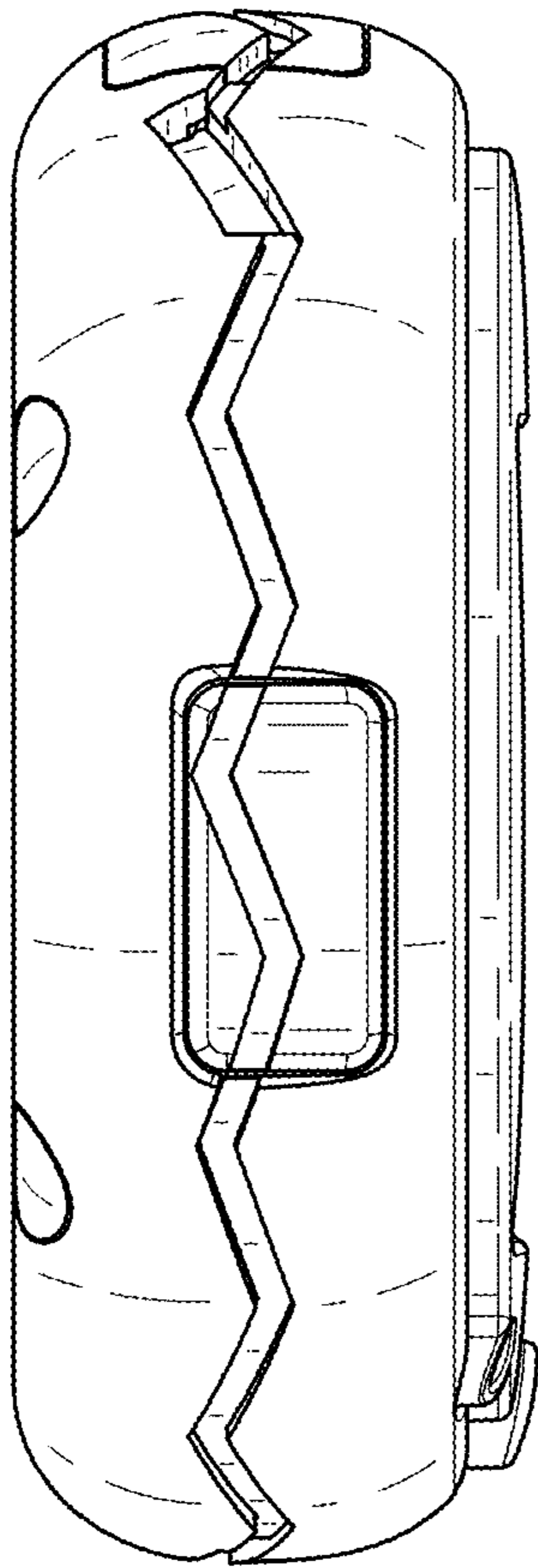


FIG. 7

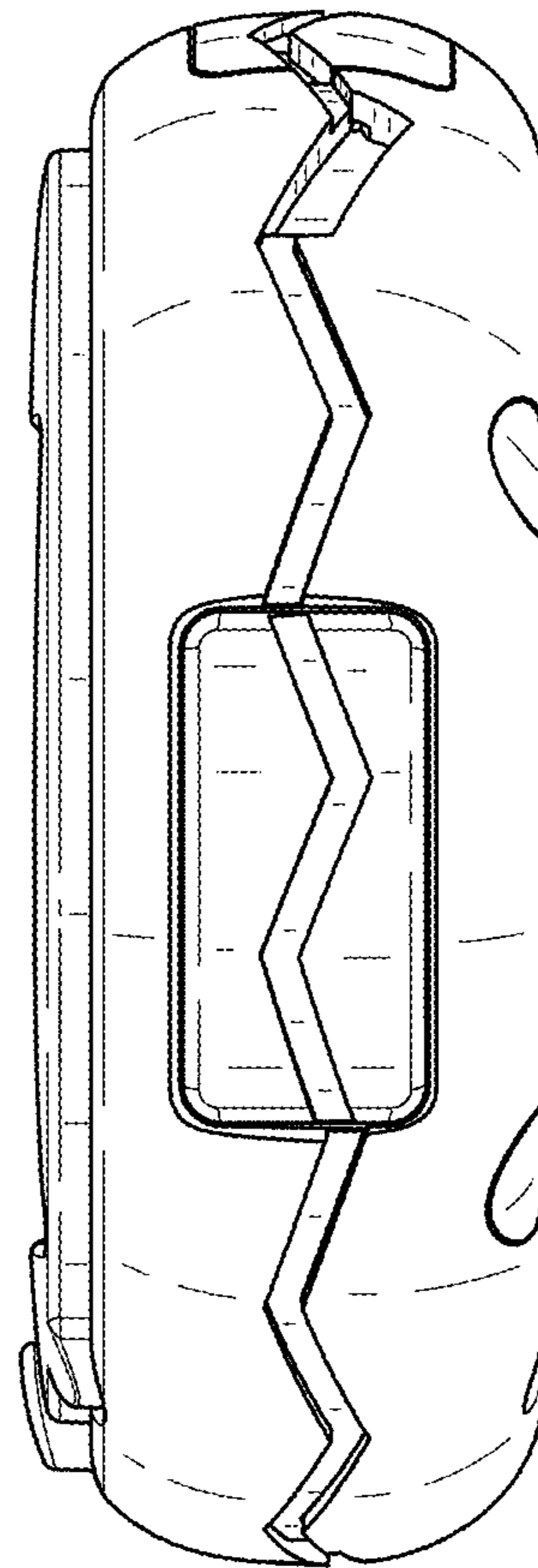


FIG. 8

UNITED STATES PATENT AND TRADEMARK OFFICE
CERTIFICATE OF CORRECTION

PATENT NO. : D985,053 S
APPLICATION NO. : 29/816621
DATED : May 2, 2023
INVENTOR(S) : Erika Yasuda et al.

Page 1 of 1

It is certified that error appears in the above-identified patent and that said Letters Patent is hereby corrected as shown below:

On the Title Page

Item (30) add:

Foreign Application Priority Data

May 28, 2021 (JP) 2021011478 D

Signed and Sealed this
Twelfth Day of March, 2024



Katherine Kelly Vidal
Director of the United States Patent and Trademark Office