



US00D985051S

(12) **United States Design Patent**
Tang

(10) **Patent No.:** **US D985,051 S**

(45) **Date of Patent:** **** May 2, 2023**

(54) **ACRYLIC MODEL BOARD**

(71) Applicant: **Jianqing Tang**, Putian (CN)

(72) Inventor: **Jianqing Tang**, Putian (CN)

(**) Term: **15 Years**

(21) Appl. No.: **29/844,053**

(22) Filed: **Jun. 27, 2022**

(51) **LOC (14) Cl.** **19-06**

(52) **U.S. Cl.**
USPC **D19/108**

(58) **Field of Classification Search**
USPC D19/40, 108, 111, 113
CPC B41M 1/12; B05C 1/027; B44B 3/002;
A44C 25/001; B44C 3/12
See application file for complete search history.

(56) **References Cited**

U.S. PATENT DOCUMENTS

D258,367 S *	2/1981	Itakura	D21/328
D321,909 S *	11/1991	Brady	D19/96
D331,677 S *	12/1992	Bates	D6/303
D340,742 S *	10/1993	Alfa	D19/103
D366,798 S *	2/1996	Messersmith	D6/552
D417,113 S *	11/1999	Greaney	D6/552
D466,279 S *	12/2002	Smith	D3/3
D511,166 S *	11/2005	Mabbutt	D21/339
D635,829 S	4/2011	Morrish		
D653,914 S	2/2012	Lutz		
D658,451 S	5/2012	Jost		

D697,557 S *	1/2014	Hsu	D21/315
D728,991 S	5/2015	Hasegawa		
D745,327 S	12/2015	Laurain		
D767,941 S	10/2016	Laurain		
D768,775 S *	10/2016	Foxcroft	D19/113
D773,578 S *	12/2016	Gerut	D21/780
D774,361 S	12/2016	Laurain		
D836,990 S	1/2019	Hakim		
D869,249 S	12/2019	Mitchell		
D880,245 S	4/2020	Packard		
D910,925 S *	2/2021	Zdravevski	D19/103
D937,348 S *	11/2021	Riccobono	D19/113

* cited by examiner

Primary Examiner — Garth Rademaker

Assistant Examiner — Laura H Yu

(74) *Attorney, Agent, or Firm* — Runit Ranjit Kanakia

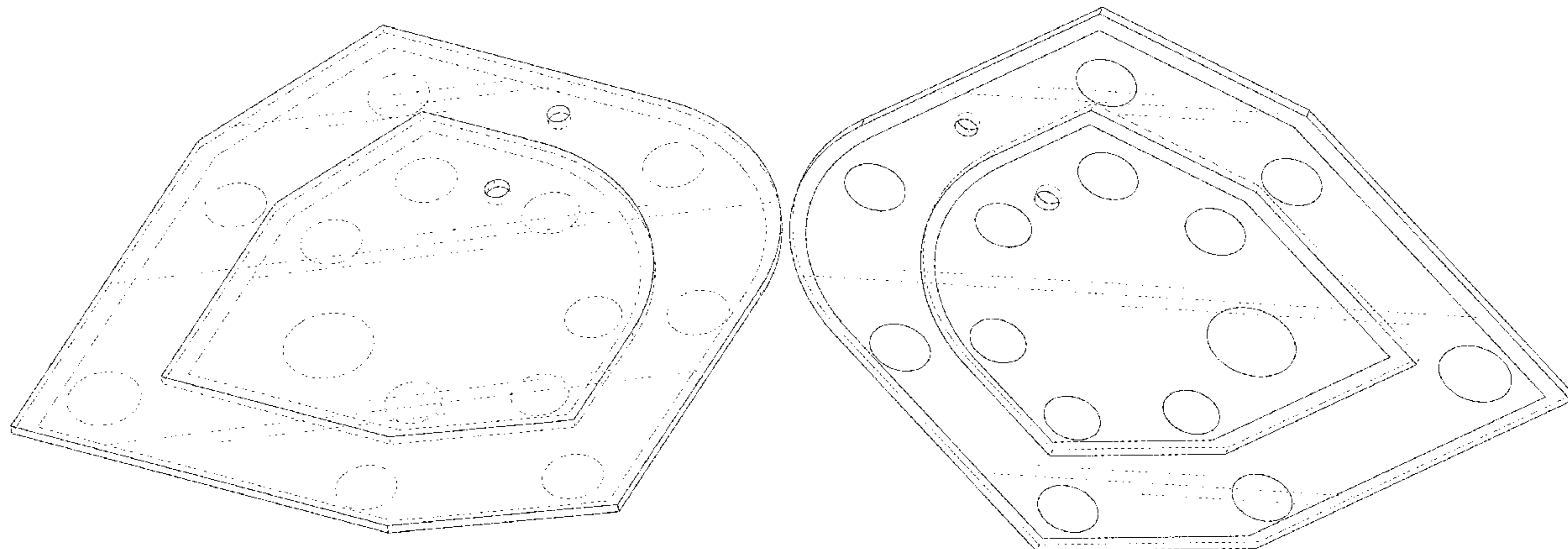
(57) **CLAIM**

The ornamental design for a acrylic model board, as shown and described.

DESCRIPTION

FIG. 1 is a perspective view of a acrylic model board showing my new design;
FIG. 2 is another perspective view thereof;
FIG. 3 is a front elevational view thereof;
FIG. 4 is a rear elevational view thereof;
FIG. 5 is a left side view thereof;
FIG. 6 is a right side view thereof;
FIG. 7 is a top plan view thereof; and,
FIG. 8 is a bottom plan view thereof.

1 Claim, 6 Drawing Sheets



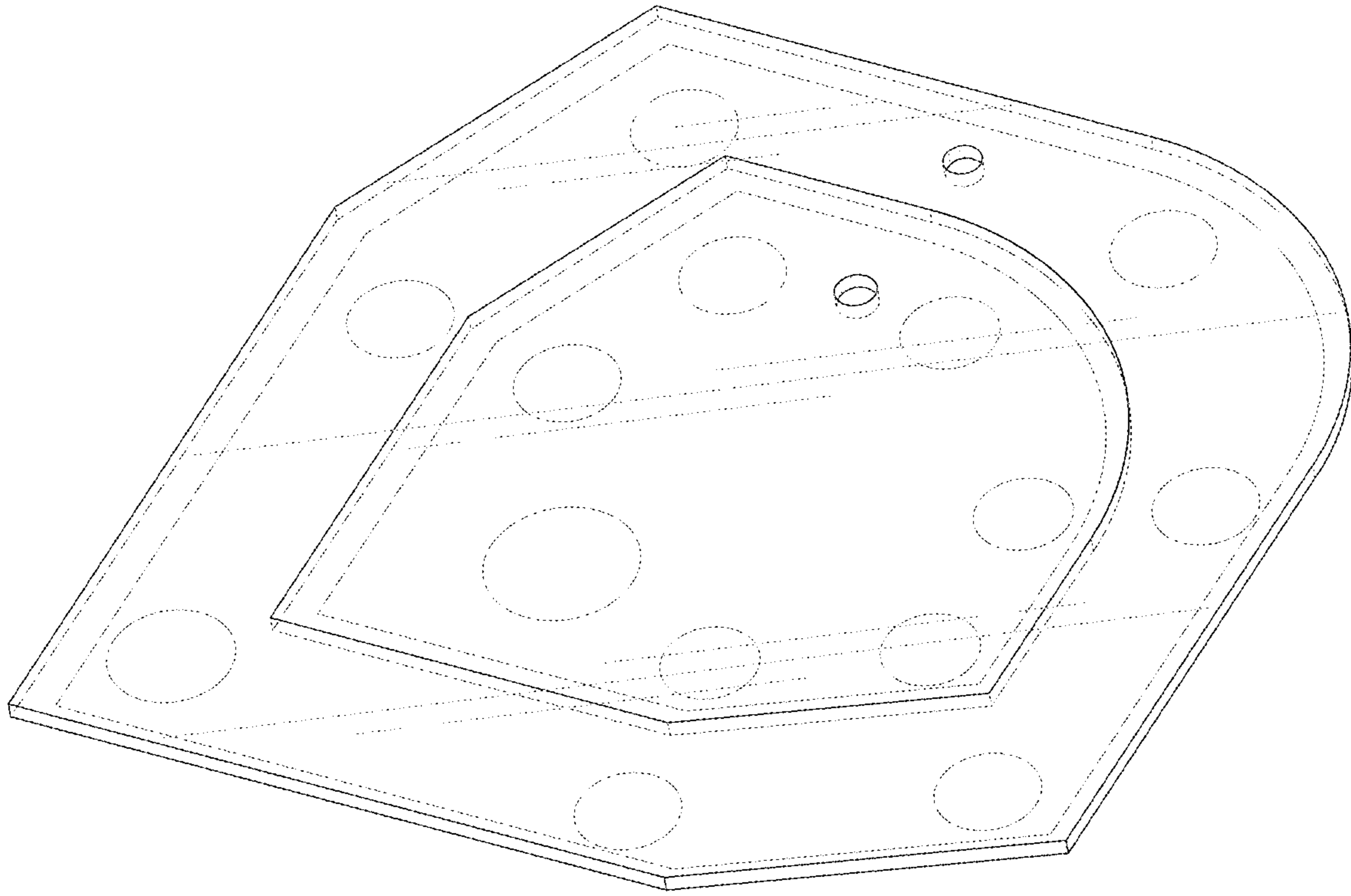


FIG. 1

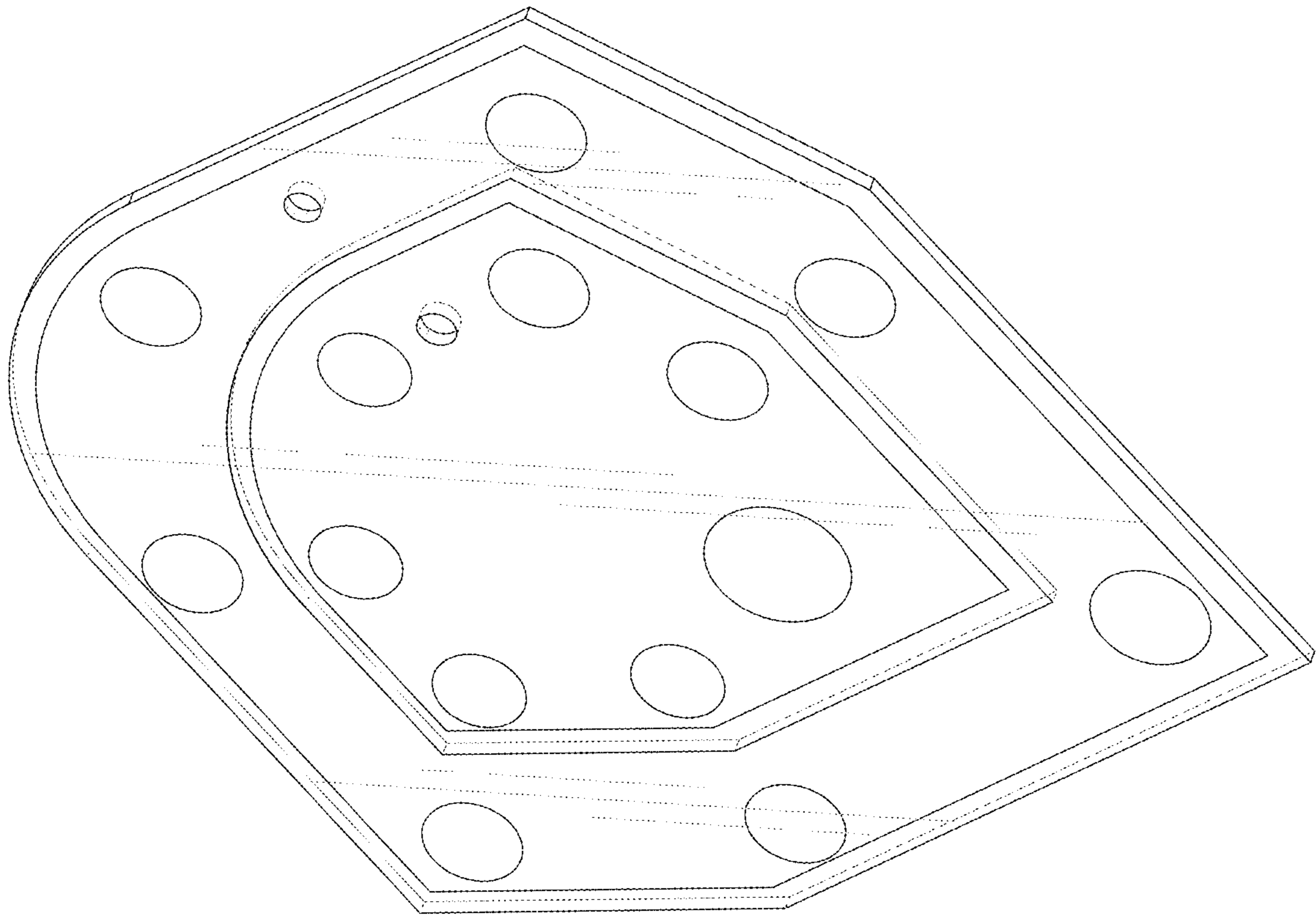


FIG. 2

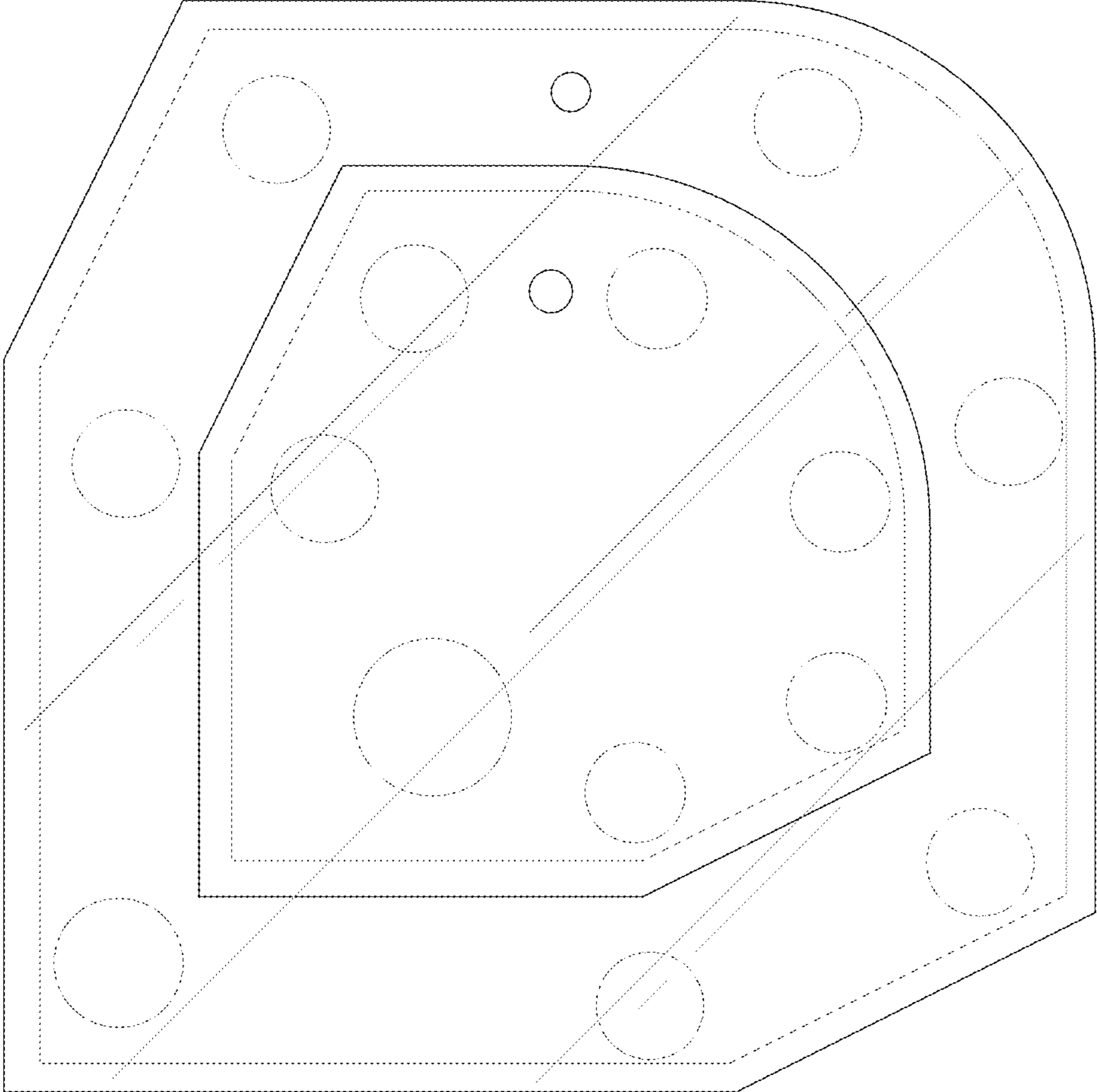


FIG. 3

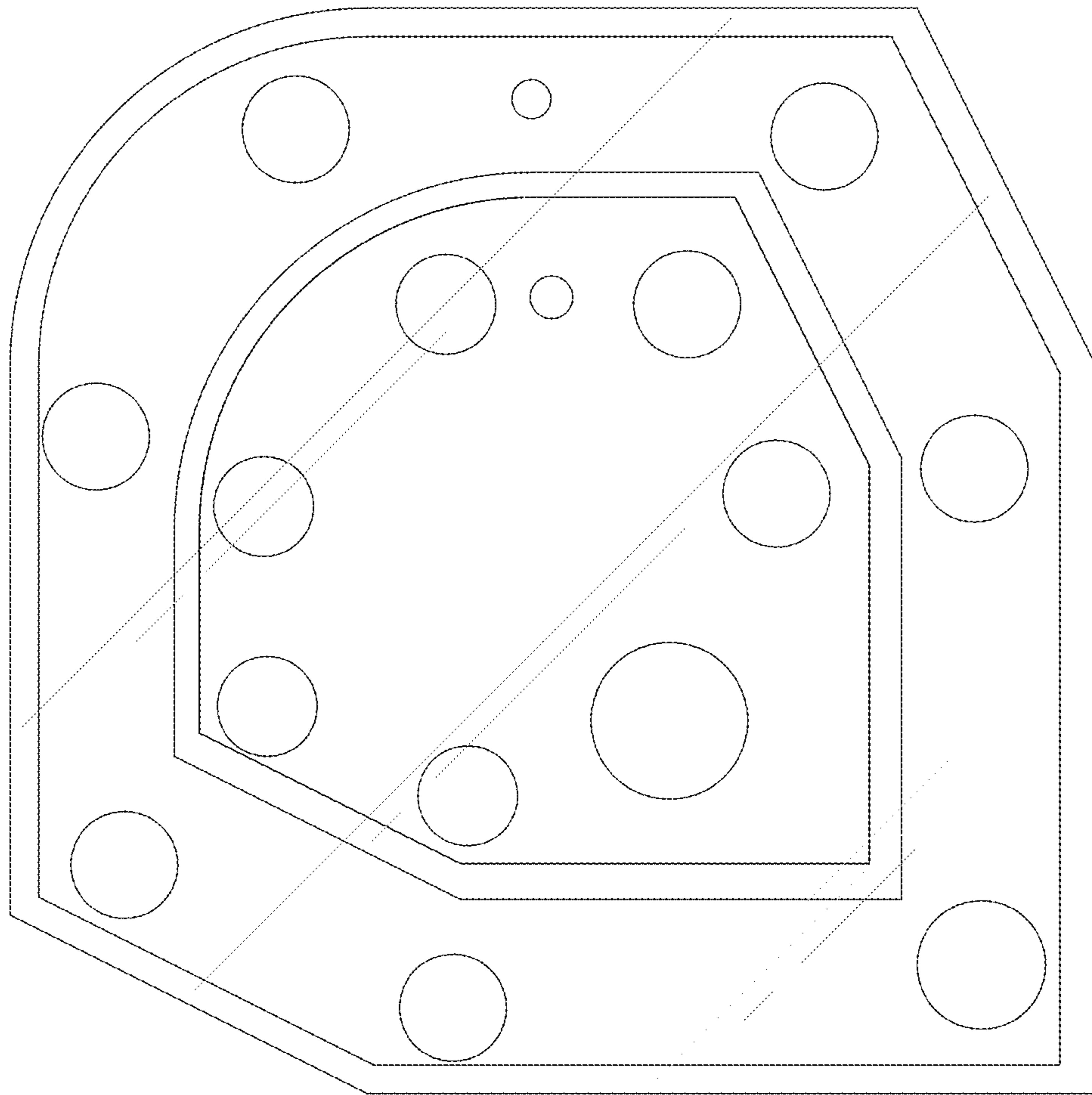


FIG. 4

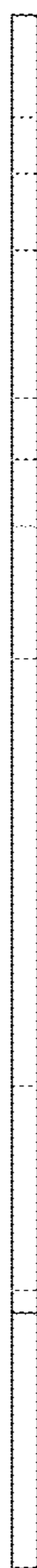


FIG. 5

FIG. 6

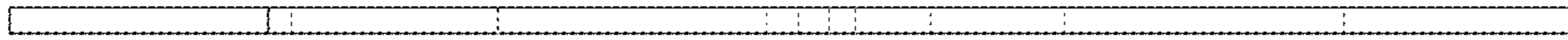


FIG. 7

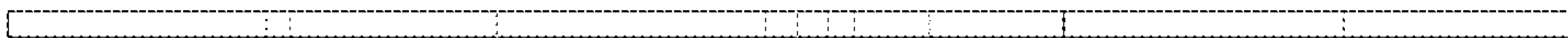


FIG. 8