



US00D985048S

(12) **United States Design Patent**  
**Xu**

(10) **Patent No.:** **US D985,048 S**  
(45) **Date of Patent:** **\*\* May 2, 2023**

(54) **LABEL PRINTER**

(71) Applicant: **Xiamen iPrt Technology Co., Ltd.**,  
Fujian (CN)

(72) Inventor: **Shuangquan Xu**, Fujian (CN)

(73) Assignee: **Xiamen iPrt Technology Co., Ltd.**,  
Fujian (CN)

(\*\*) Term: **15 Years**

(21) Appl. No.: **29/785,335**

(22) Filed: **May 25, 2021**

(51) **LOC (14) Cl.** ..... **18-99**

(52) **U.S. Cl.**  
USPC ..... **D18/19**

(58) **Field of Classification Search**  
USPC ..... D18/12, 14-19, 36-41, 50, 45, 54, 55,  
D18/53, 56; D19/65, 66, 67, 68, 69, 70,  
D19/71; D14/301, 307, 121  
CPC ..... H04N 1/00204; H04N 1/00249; H04N  
1/00278; G06K 15/12; G06K 15/14; B41J  
3/00; B41J 3/46; B41J 2/3358; B41J  
3/382; B41J 3/445; B41J 3/28; B41J  
11/0045; B41J 3/36

See application file for complete search history.

(56) **References Cited**

**U.S. PATENT DOCUMENTS**

D235,230 S *	5/1975	Herr	.....	D18/37
D294,371 S *	2/1988	Phleps	.....	D16/247
D299,653 S *	1/1989	Kosako	.....	D18/36
4,893,137 A *	1/1990	Ebinuma	.....	G03G 21/1647 347/3
D533,585 S *	12/2006	Park	.....	D18/50
D535,324 S *	1/2007	Park	.....	D18/50
D540,852 S *	4/2007	Huang	.....	D18/50
D754,787 S *	4/2016	Yoshioka	.....	D18/50
D754,788 S *	4/2016	Kim	.....	D18/50

(Continued)

**FOREIGN PATENT DOCUMENTS**

CN 306550515 \* 5/2021  
CN 306979102 \* 12/2021

(Continued)

**OTHER PUBLICATIONS**

Amazon. Link: [https://www.amazon.com/Forc-Thermal-Shipping-Packages-Shipstation/dp/B09N31XYHG/ref=sr\\_1\\_2?crd=3LSLMMN6XWJMT&keywords=B09N31XYHG&qid=1647436868&s=electronics&prefix=b09n31xyhg%2Celectronics%2C70&sr=1-2](https://www.amazon.com/Forc-Thermal-Shipping-Packages-Shipstation/dp/B09N31XYHG/ref=sr_1_2?crd=3LSLMMN6XWJMT&keywords=B09N31XYHG&qid=1647436868&s=electronics&prefix=b09n31xyhg%2Celectronics%2C70&sr=1-2). Feb. 8, 2022. Forc Thermal Label Printer. (Year: 2022).\*

(Continued)

*Primary Examiner* — Lauren D McVey

(74) *Attorney, Agent, or Firm* — ScienBiziP, P.C.

(57) **CLAIM**

The ornamental design for a label printer, as shown and described.

**DESCRIPTION**

FIG. 1 is a front, right, and top perspective view of a label printer, showing my design.

FIG. 2 is a rear, left, and bottom perspective view thereof.

FIG. 3 is a front elevation view thereof.

FIG. 4 is a rear elevation view thereof.

FIG. 5 is a left side elevation view thereof.

FIG. 6 is a right side elevation view thereof.

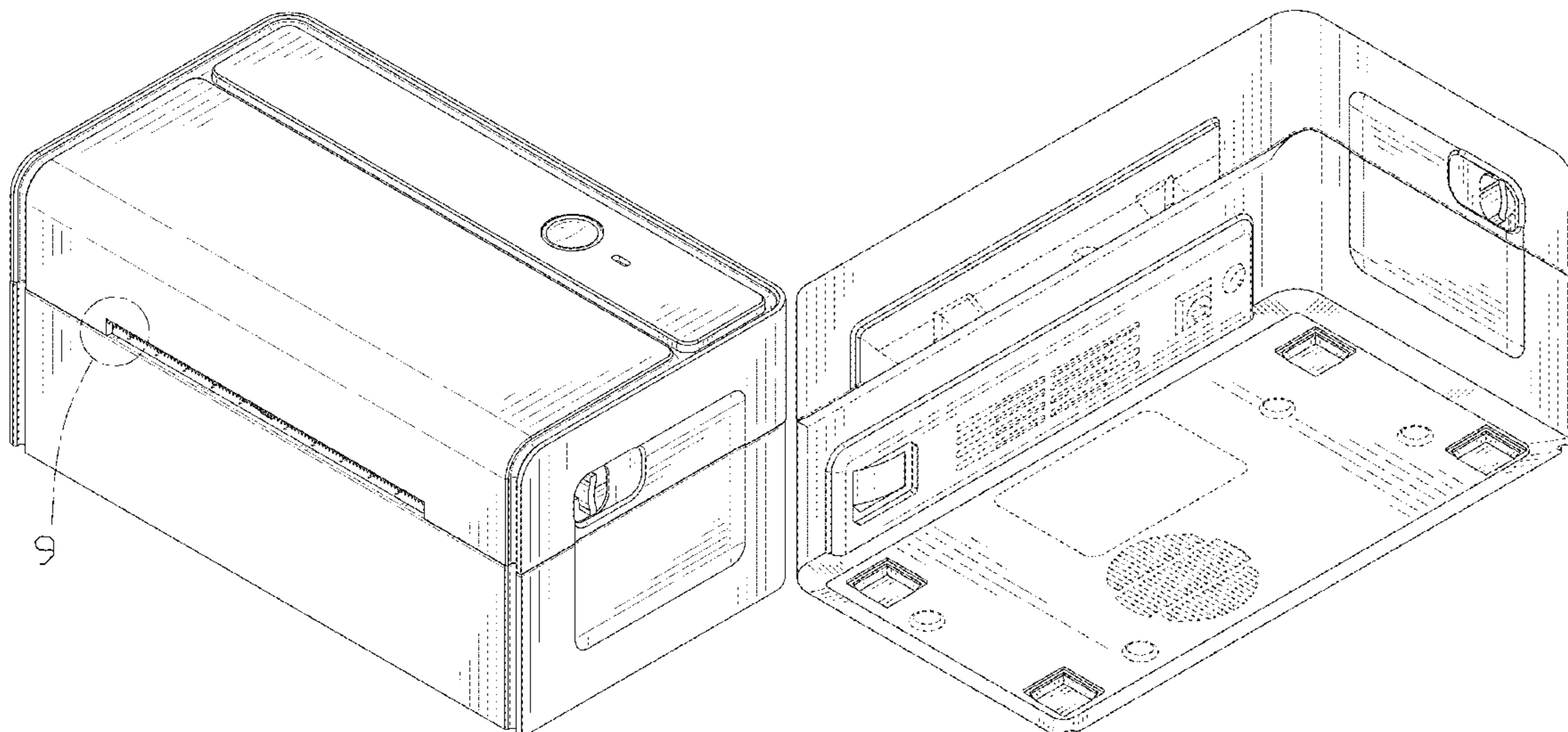
FIG. 7 is a top plan view thereof.

FIG. 8 is a bottom plan view thereof; and,

FIG. 9 is a partial enlarged view of the area labeled 9 in FIG. 1 in order to show aspects of the design not otherwise apparent.

The broken lines shown in the drawings are included for the purpose of illustrating portions of the label printer that form no part of the claimed design. The dot-dash broken lines indicating an enlargement portion of the design form no part of the claimed design.

**1 Claim, 9 Drawing Sheets**



(56)

References Cited

U.S. PATENT DOCUMENTS

D815,198 S \* 4/2018 Faro ..... D18/50  
 D826,317 S \* 8/2018 Villalobos ..... D18/50  
 D827,020 S \* 8/2018 Yoon ..... D18/50  
 D892,920 S \* 8/2020 Nakatani ..... D18/50  
 D893,594 S \* 8/2020 Sun ..... D18/19  
 D900,213 S 10/2020 Ozawa et al.  
 D907,697 S 1/2021 Tashima

FOREIGN PATENT DOCUMENTS

CN 307065871 \* 1/2022  
 CN 307072404 \* 1/2022  
 CN 307107763 \* 2/2022  
 GB 6157766 \* 8/2021  
 JP 5621620 B2 \* 11/2014 ..... B41J 3/36

OTHER PUBLICATIONS

Amazon. Link: [https://www.amazon.com/Eyoyo-Shipping-High-Speed-Business-Compatible/dp/B09JKQ6SDB/ref=sr\\_1\\_1?crid=2G4UR1RSMZNB9&keywords=B09JKQ6SDB&qid=1647437004&s=electronics&sprefix=b09jkq6sdb%2Celectronics%2C122&sr=1-1](https://www.amazon.com/Eyoyo-Shipping-High-Speed-Business-Compatible/dp/B09JKQ6SDB/ref=sr_1_1?crid=2G4UR1RSMZNB9&keywords=B09JKQ6SDB&qid=1647437004&s=electronics&sprefix=b09jkq6sdb%2Celectronics%2C122&sr=1-1). Oct. 15, 2021. Eyoyo Barcode Label Printer (Year: 2021).  
 Amazon. Link: [https://www.amazon.com/XTIMES-Thermal-Shipping-Multiple-Compatible/dp/B09N145DMJ/ref=sr\\_1\\_1?crid=1T5LUI4KV7LSP&keywords=B09N145DMJ&qid=1647437101&s=electronics&sprefix=b09n145dmj%2Celectronics%2C52&sr=1-1](https://www.amazon.com/XTIMES-Thermal-Shipping-Multiple-Compatible/dp/B09N145DMJ/ref=sr_1_1?crid=1T5LUI4KV7LSP&keywords=B09N145DMJ&qid=1647437101&s=electronics&sprefix=b09n145dmj%2Celectronics%2C52&sr=1-1). Feb. 20, 2022. XTIMES Thermal Label Printer. (Year: 2022).  
 Amazon. Link: [https://www.amazon.com/Thermal-Printer-Machine-Shipstation-Compatible/dp/B09BYZDCJ3/ref=sr\\_1\\_1?crid=2U7KL9RYQ4LA&keywords=B09BYZDCJ3&qid=1647436003&s=electronics&sprefix=b09byzdcj3%2Celectronics%2C45&sr=1-1](https://www.amazon.com/Thermal-Printer-Machine-Shipstation-Compatible/dp/B09BYZDCJ3/ref=sr_1_1?crid=2U7KL9RYQ4LA&keywords=B09BYZDCJ3&qid=1647436003&s=electronics&sprefix=b09byzdcj3%2Celectronics%2C45&sr=1-1). Aug. 5, 2021. Change Moore Thermal Label Printer. (Year: 2021).\*

\* cited by examiner

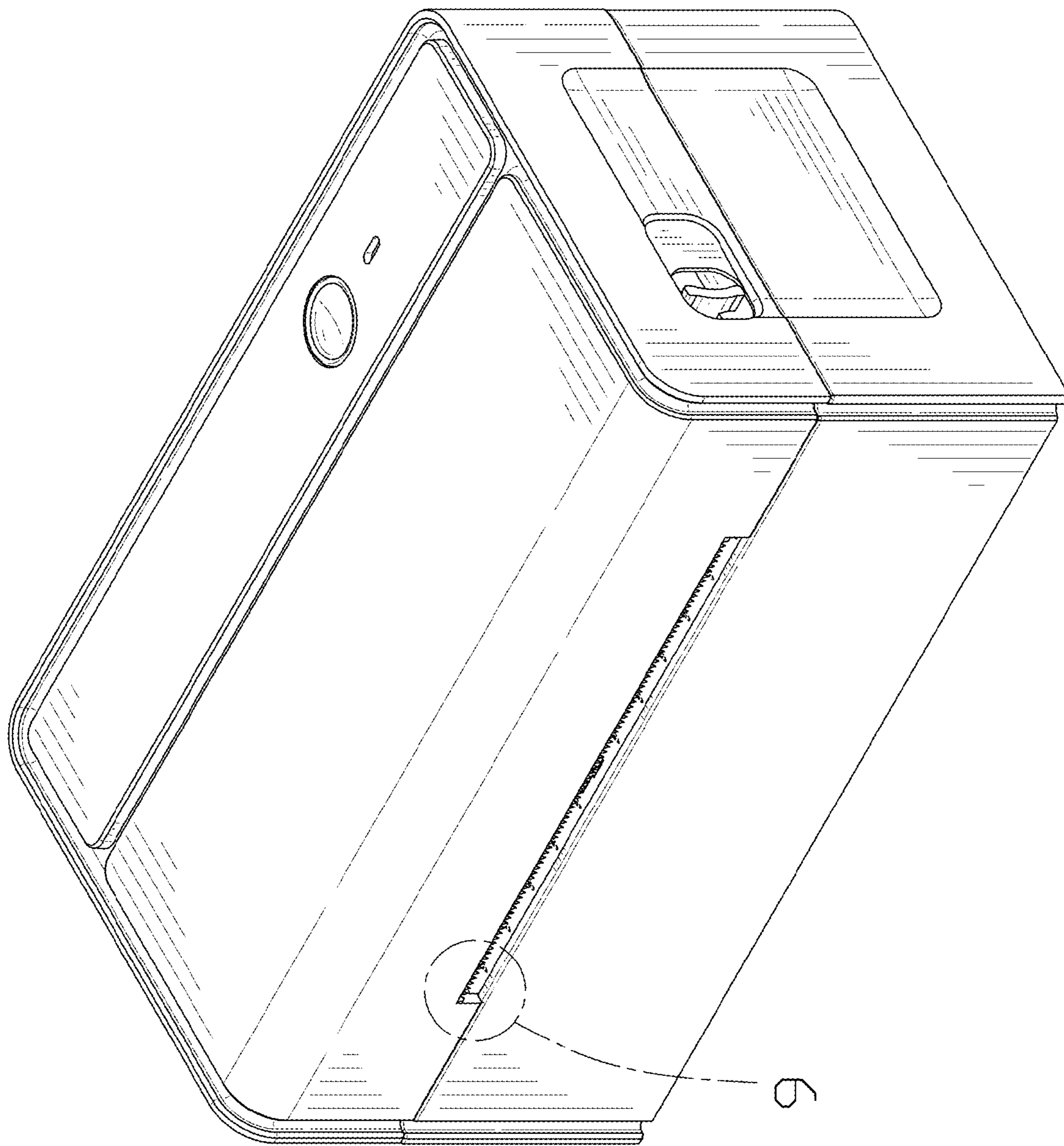


FIG. 1

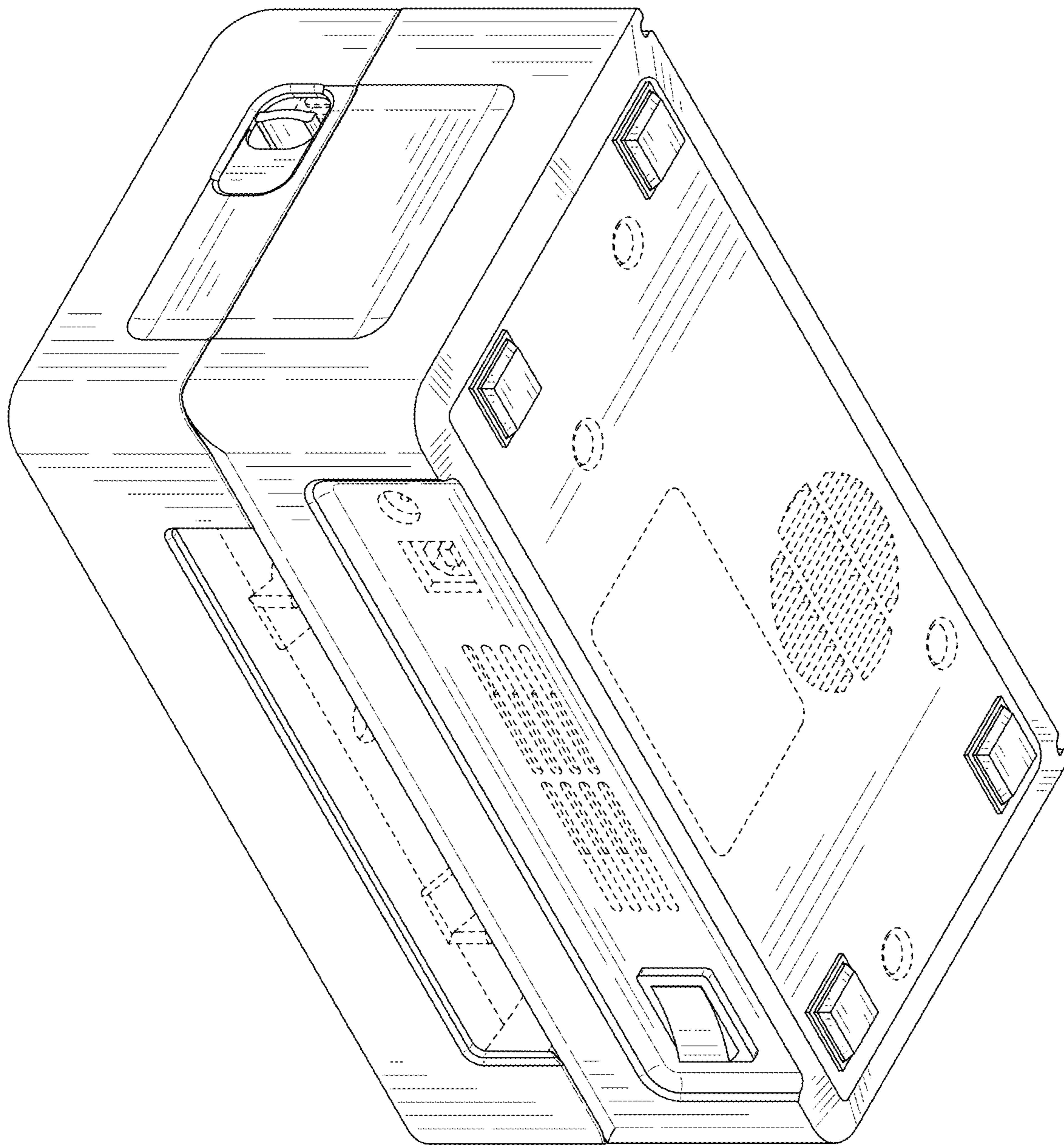


FIG. 2

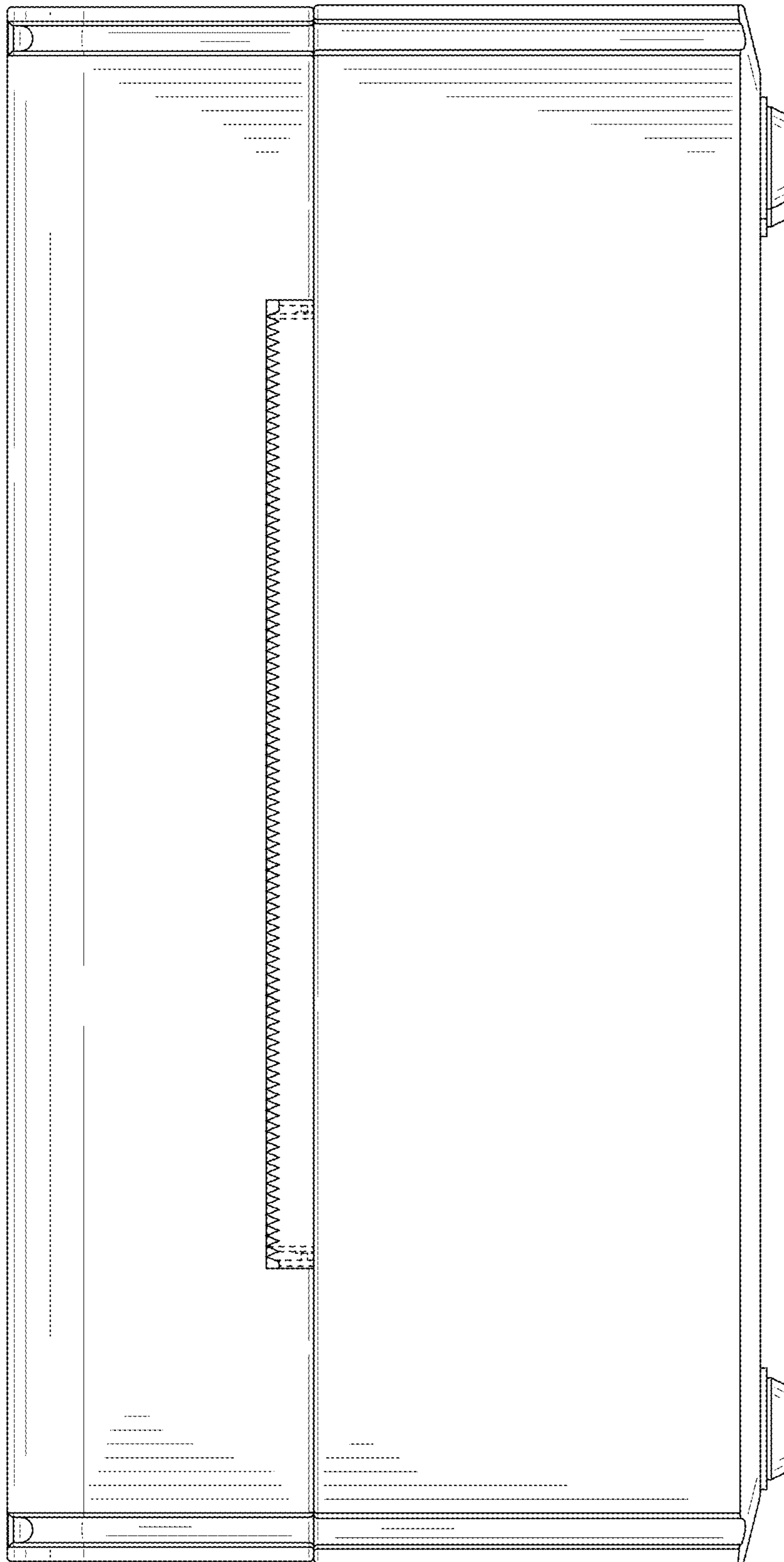


FIG. 3

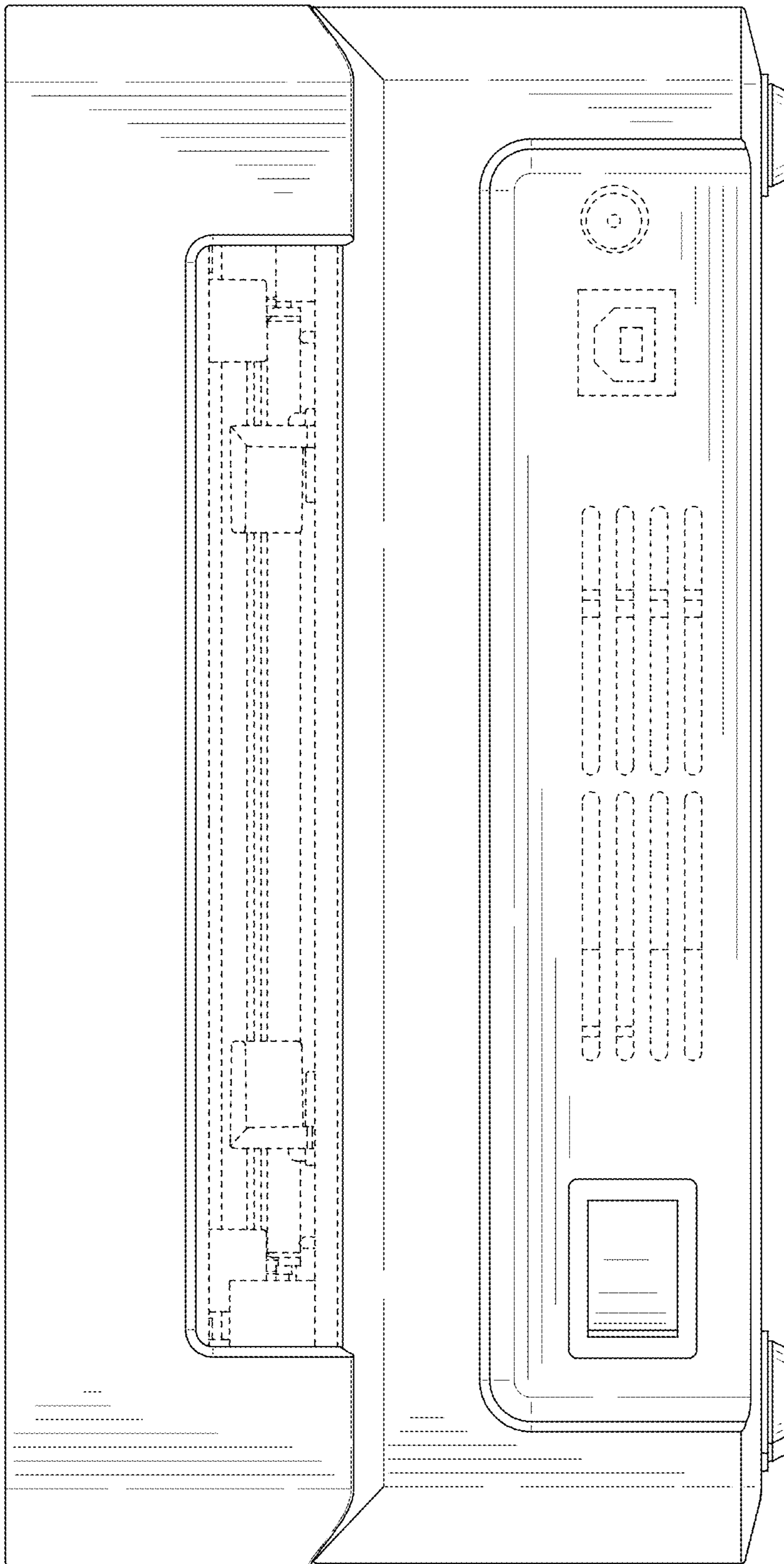


FIG. 4

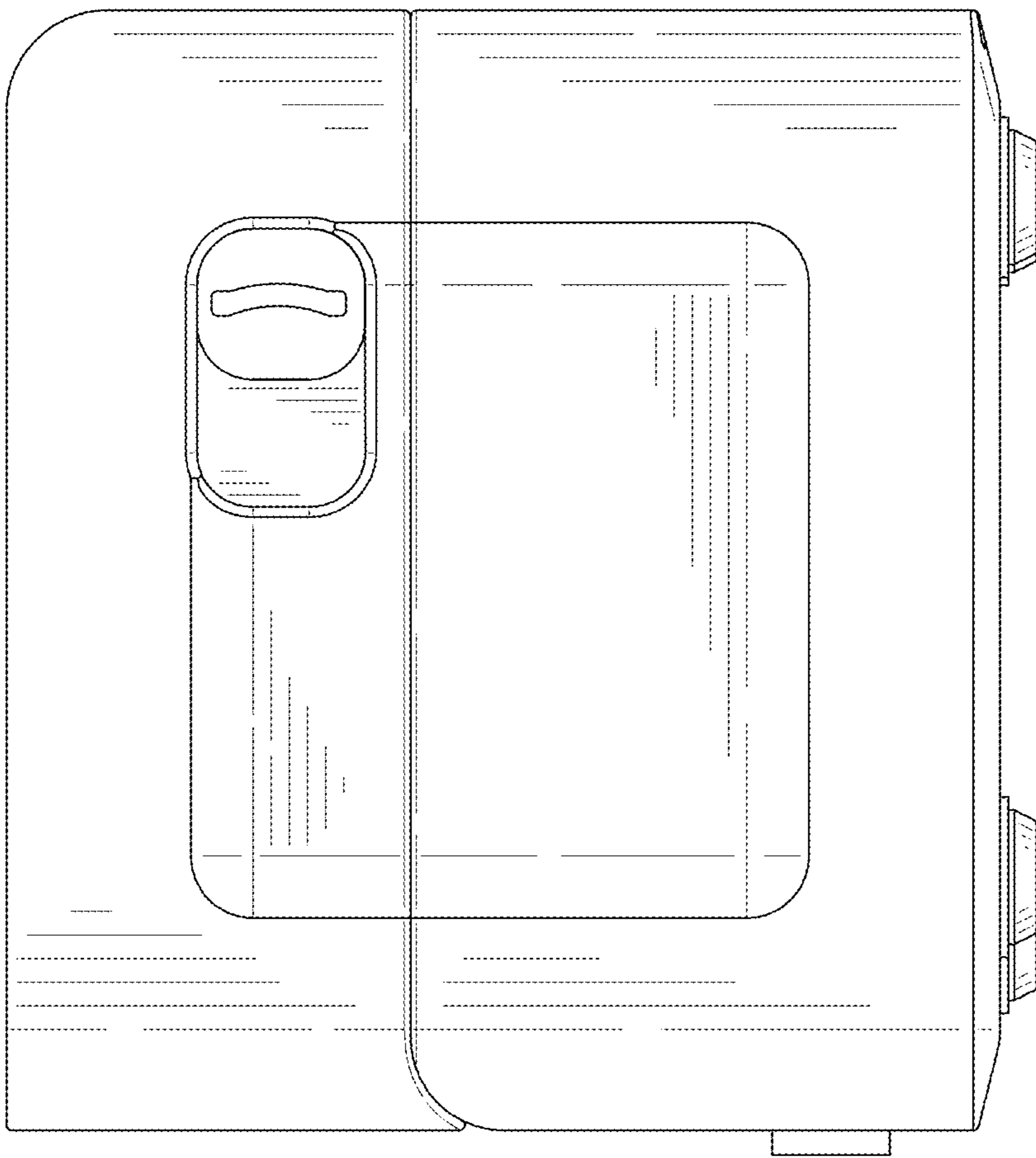


FIG. 5

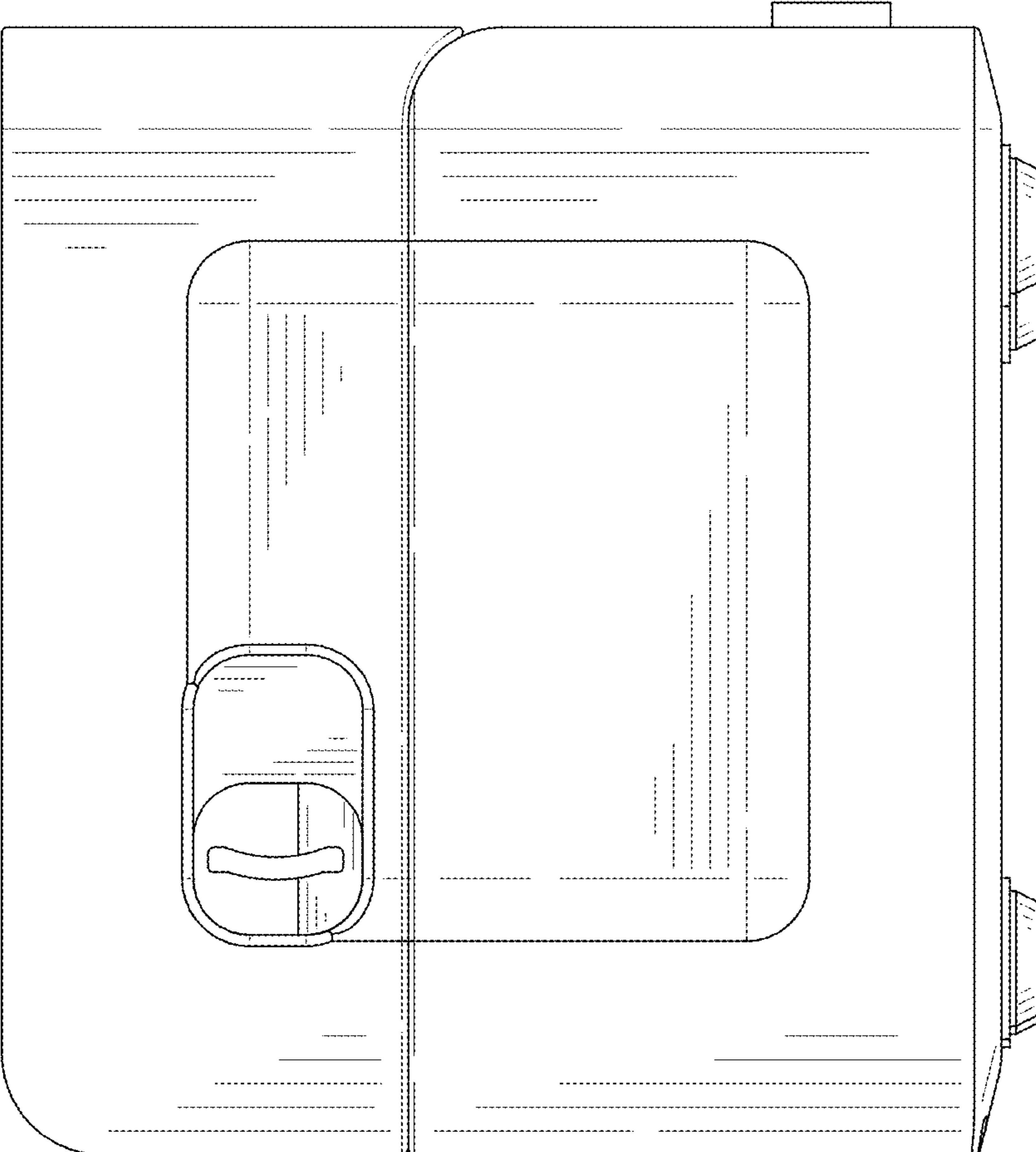


FIG. 6



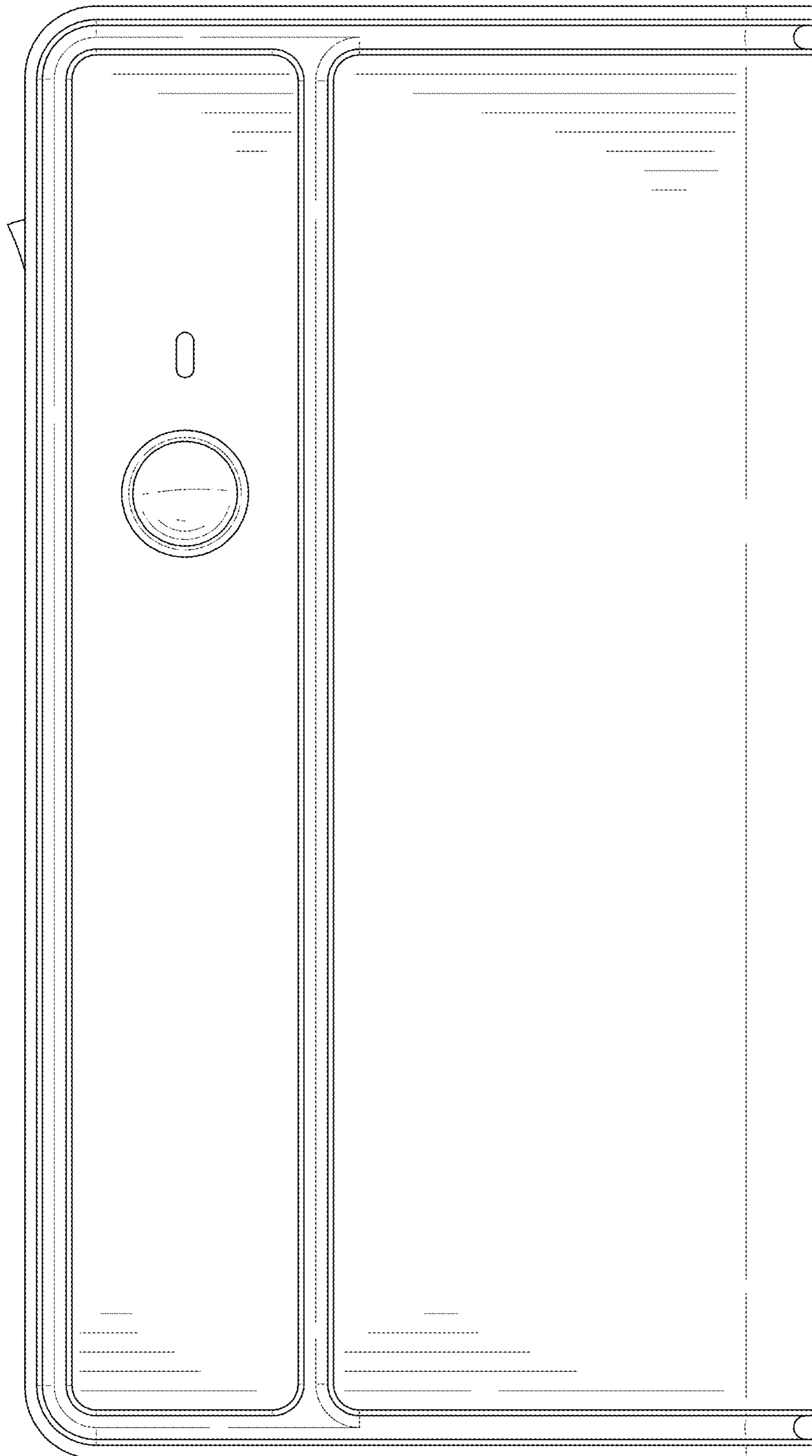


FIG. 7

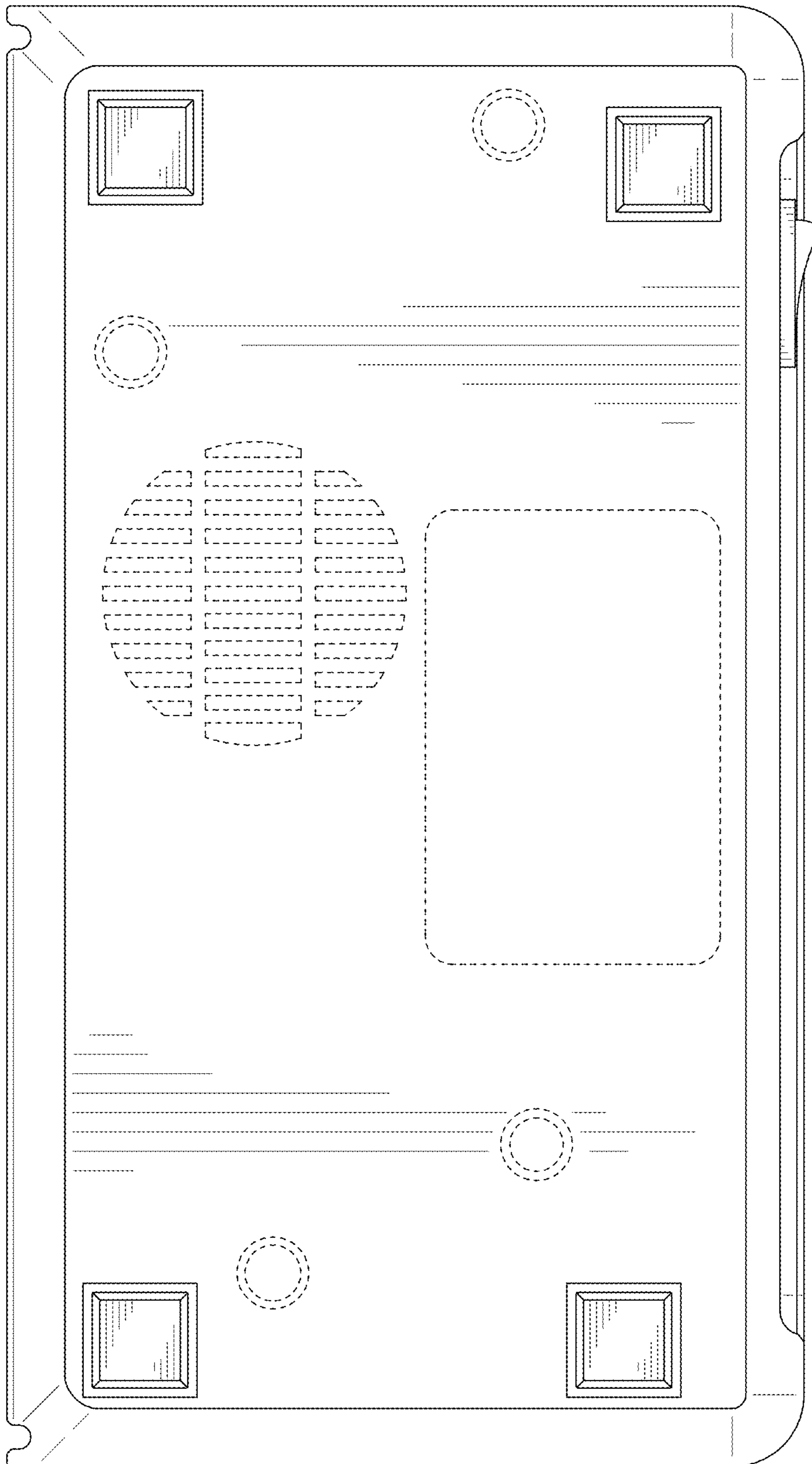


FIG. 8

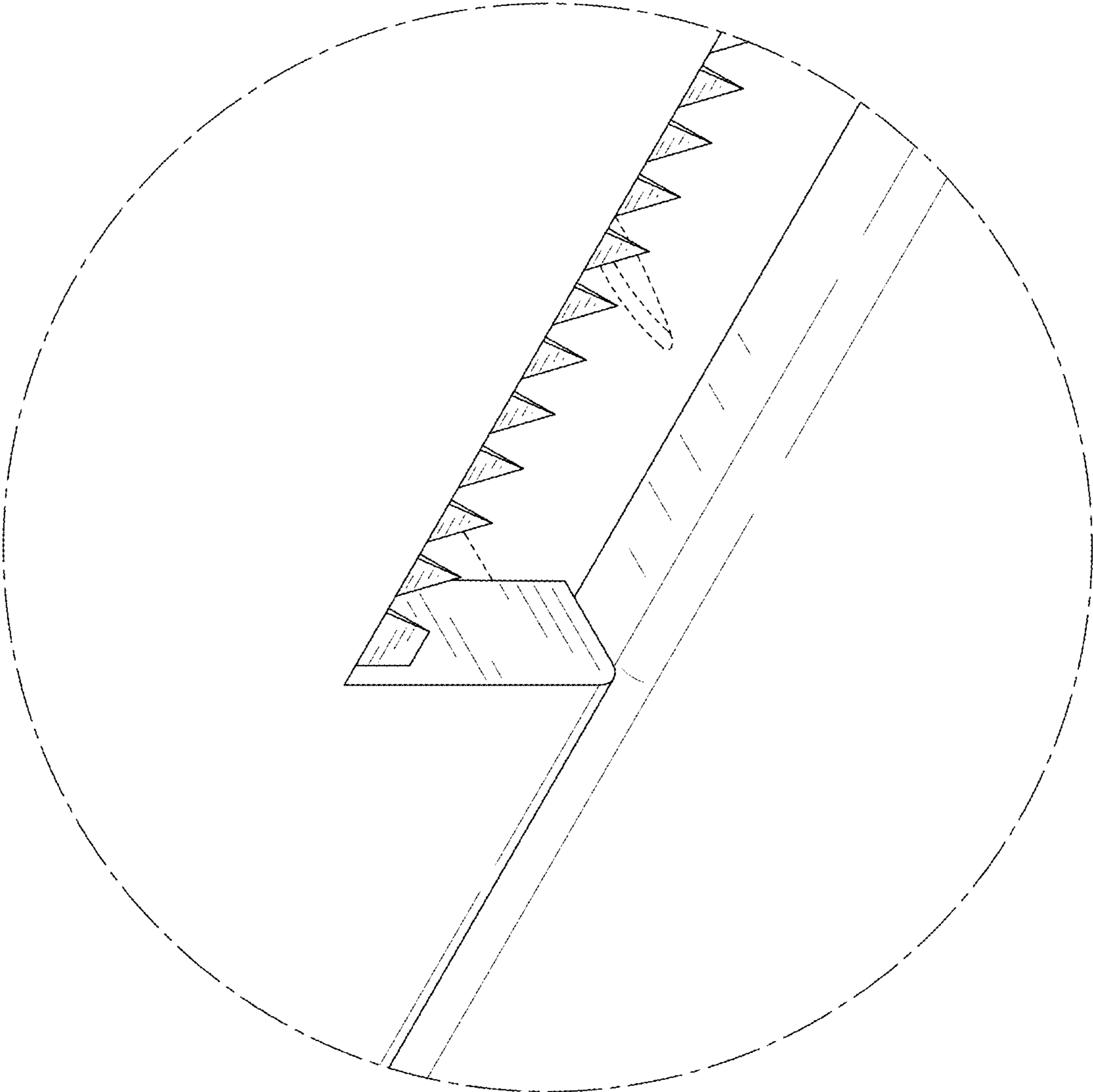


FIG. 9