



US00D985047S

(12) **United States Design Patent**  
**Han**

(10) **Patent No.:** **US D985,047 S**

(45) **Date of Patent:** **\*\* May 2, 2023**

(54) **KIDS DRUM SET**

(71) Applicant: **Shenzhen Seven Colours Electric Applinace Co., Ltd, Shenzhen (CN)**

(72) Inventor: **Zhen Han, Shenzhen (CN)**

(73) Assignee: **Shenzhen Seven Colours Electric Applinace Co., Ltd, Shenzhen (CN)**

(\*\*) Term: **15 Years**

(21) Appl. No.: **29/868,619**

(22) Filed: **Dec. 8, 2022**

(51) **LOC (14) Cl.** ..... **17-04**

(52) **U.S. Cl.**  
USPC ..... **D17/22; D21/405**

(58) **Field of Classification Search**  
USPC ..... D17/22, 99; D21/405, 410  
CPC ..... G10D 13/00; G10D 13/01; G10D 13/02;  
G10D 13/03; G10D 13/063; G10D  
13/065; G10D 13/08; G10D 13/10; G10D  
13/12; G10D 99/00  
See application file for complete search history.

(56) **References Cited**

**U.S. PATENT DOCUMENTS**

4,479,412	A *	10/1984	Klynas	.....	G10H 3/143 84/DIG. 12
4,691,611	A *	9/1987	May	.....	G10D 13/02 984/150
D328,915	S *	8/1992	Sato	.....	D17/22
5,520,090	A *	5/1996	Eagle	.....	G10D 13/03 84/422.4
D387,374	S *	12/1997	Kawada	.....	D17/22
D412,540	S *	8/1999	Chen	.....	D21/405
D665,839	S	8/2012	Chan		
D681,716	S	5/2013	Izen et al.		
2007/0221040	A1 *	9/2007	Bailey	.....	G10D 13/02 84/411 R
2019/0108821	A1 *	4/2019	Bell	.....	G09G 3/22

**OTHER PUBLICATIONS**

Amazon. [https://www.amazon.com/Baby-Drum-Beats-Light-Multi-Function/dp/B0BJV3PKXZ/ref=sr\\_1\\_75?crd=2JU81D4Z85F5&keywords=toy+drum&qid=1676148264&sprefix=toy+drum%2Caps%2C78&sr=8-75](https://www.amazon.com/Baby-Drum-Beats-Light-Multi-Function/dp/B0BJV3PKXZ/ref=sr_1_75?crd=2JU81D4Z85F5&keywords=toy+drum&qid=1676148264&sprefix=toy+drum%2Caps%2C78&sr=8-75). "Baby Drum Set with Beats Light". Date Unknown: Viewed Feb. 2023 (Year: 2023).\*

Amazon. [https://www.amazon.com/fisca-Instruments-Electronic-Keyboard-Xylophone/dp/B07M8L637V/ref=sr\\_1\\_55?crd=2JU81D4Z85F5&keywords=toy+drum&qid=1676148264&sprefix=toy+drum%2Caps%2C78&sr=8-55](https://www.amazon.com/fisca-Instruments-Electronic-Keyboard-Xylophone/dp/B07M8L637V/ref=sr_1_55?crd=2JU81D4Z85F5&keywords=toy+drum&qid=1676148264&sprefix=toy+drum%2Caps%2C78&sr=8-55). "fisca 3 in 1 Musical Instruments Toys". Date Unknown: Viewed Feb. 2023 (Year: 2023).\*

Amazon.com. [https://www.amazon.com/Instruments-Toddlers-Xylophone-Percussion-Birthday/dp/B0BJV3X5C7/ref=sr\\_1\\_31?crd=2JU81D4Z85F5&keywords=toy%2Bdrum&qid=1676148100&sprefix=toy%2Bdrum%2Caps%2C78&sr=8-31&th=1](https://www.amazon.com/Instruments-Toddlers-Xylophone-Percussion-Birthday/dp/B0BJV3X5C7/ref=sr_1_31?crd=2JU81D4Z85F5&keywords=toy%2Bdrum&qid=1676148100&sprefix=toy%2Bdrum%2Caps%2C78&sr=8-31&th=1). "OATHX Kids Drum Set". Date Unknown: Viewed Feb. 2023 (Year: 2023).\*

(Continued)

*Primary Examiner* — R. Johnson

(57) **CLAIM**

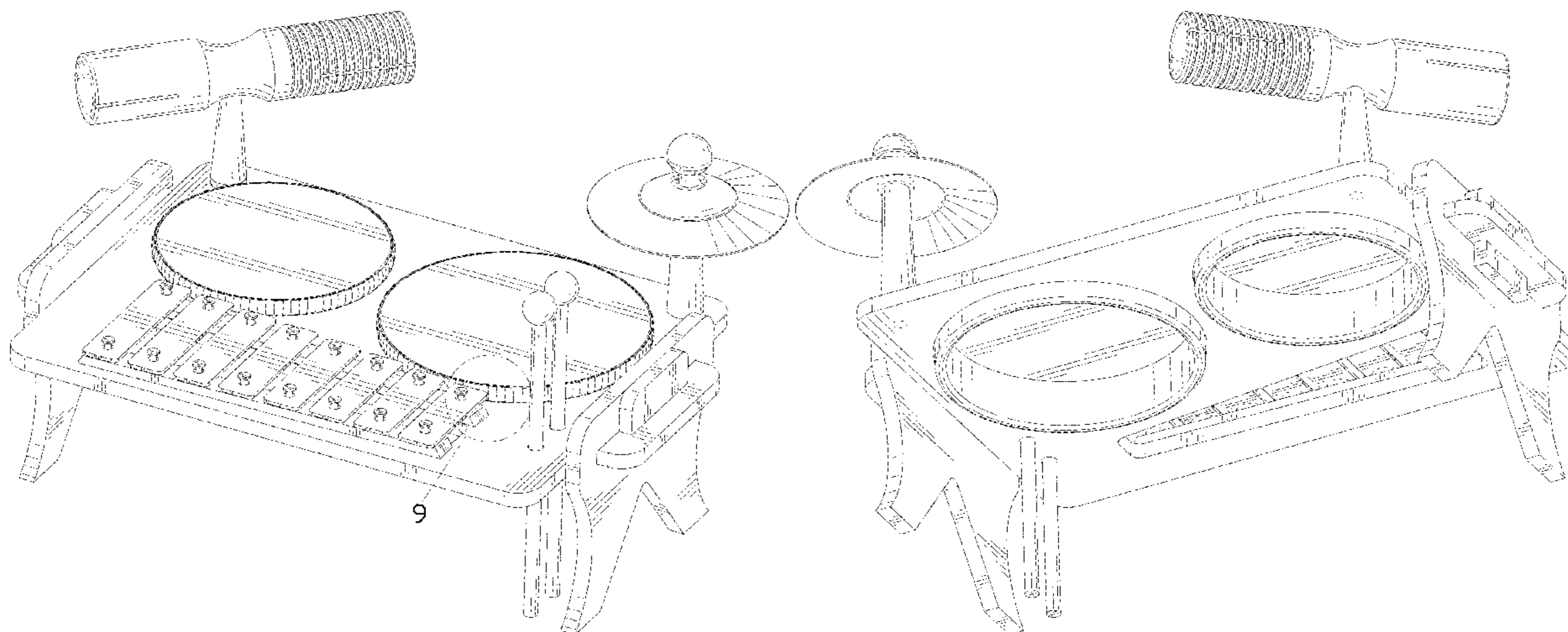
The ornamental design for a kids drum set, as shown and described.

**DESCRIPTION**

FIG. 1 is a front, right and top perspective view of a kids drum set showing my new design;  
FIG. 2 is a rear, left and bottom perspective view thereof;  
FIG. 3 is a front view thereof;  
FIG. 4 is a rear view thereof;  
FIG. 5 is a left side view thereof;  
FIG. 6 is a right side view thereof;  
FIG. 7 is a top plan view thereof;  
FIG. 8 is a bottom plan view thereof;  
FIG. 9 is an enlarged, partial view taken at line-9 in FIG. 1; and,  
FIG. 10 is an enlarged, partial view taken at line-10 in FIG. 5.

The broken lines in the figures illustrate portions of the kids drum set that form no part of the claimed design.

**1 Claim, 10 Drawing Sheets**



(56)

**References Cited**

OTHER PUBLICATIONS

Amazon.com. [https://www.amazon.com/Instruments-Toddlers-Educational-Percussion-Montessori/dp/B0BG2C3QW5/refsr\\_1\\_9?crd=2JU81D4Z85F5&keywords=toy+drum&qid=1676148100&srefix=toy+drum%2Caps%2C78&sr=8-9](https://www.amazon.com/Instruments-Toddlers-Educational-Percussion-Montessori/dp/B0BG2C3QW5/refsr_1_9?crd=2JU81D4Z85F5&keywords=toy+drum&qid=1676148100&srefix=toy+drum%2Caps%2C78&sr=8-9). "Wingz Kids Drum Set". Date Unknown: Viewed Feb. 2023 (Year: 2023).\*

\* cited by examiner

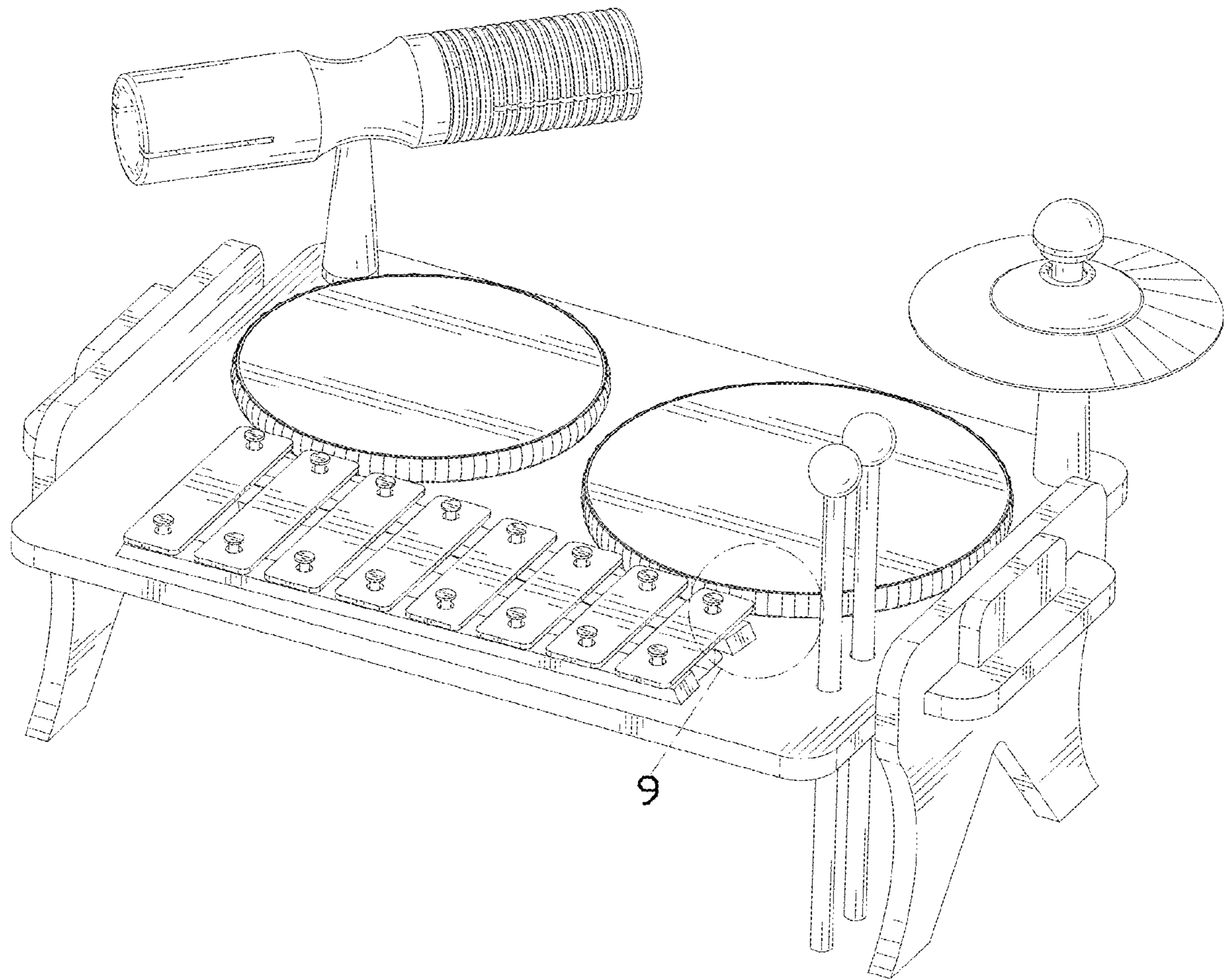


FIG. 1



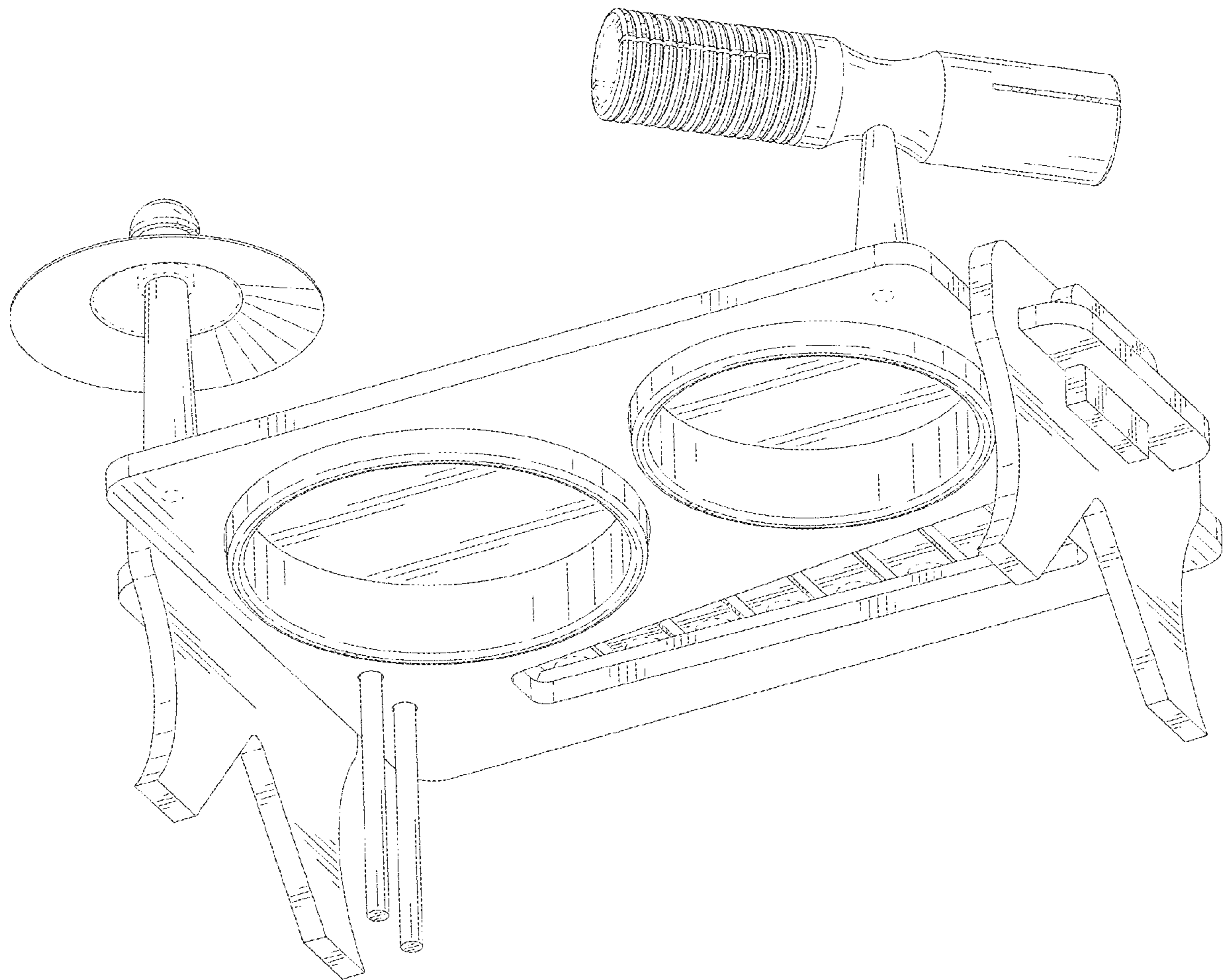


FIG. 2

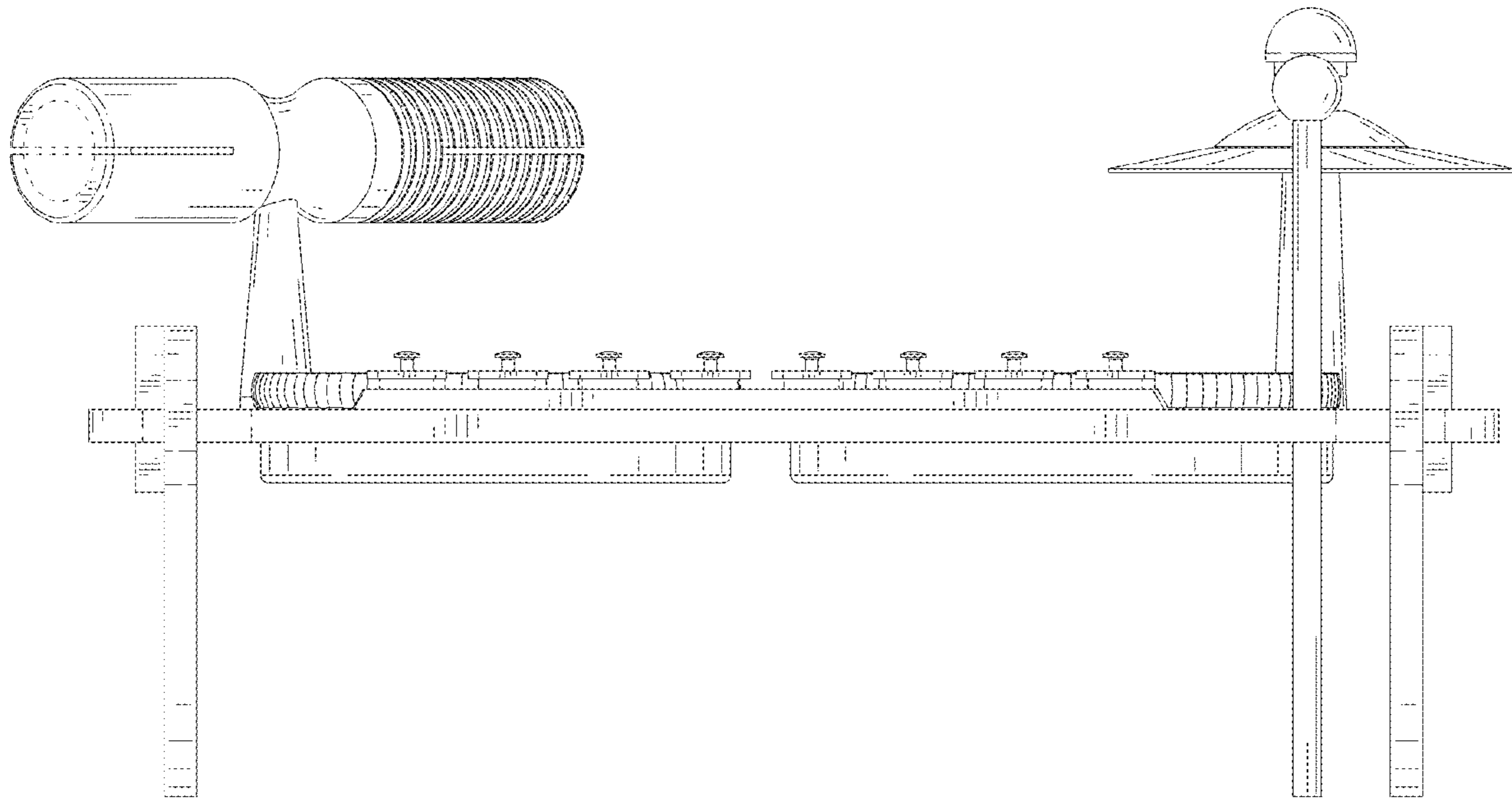


FIG. 3

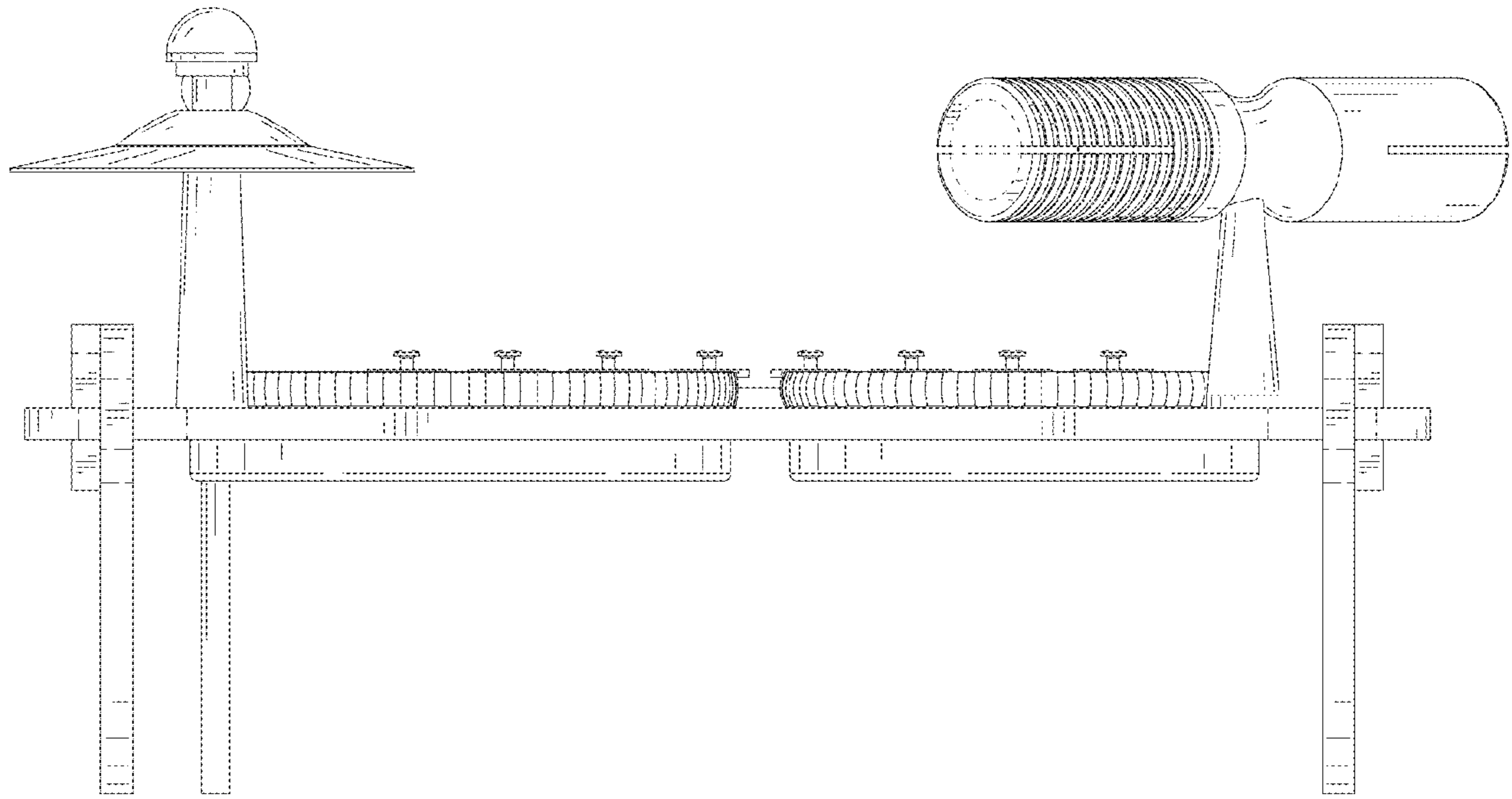


FIG. 4

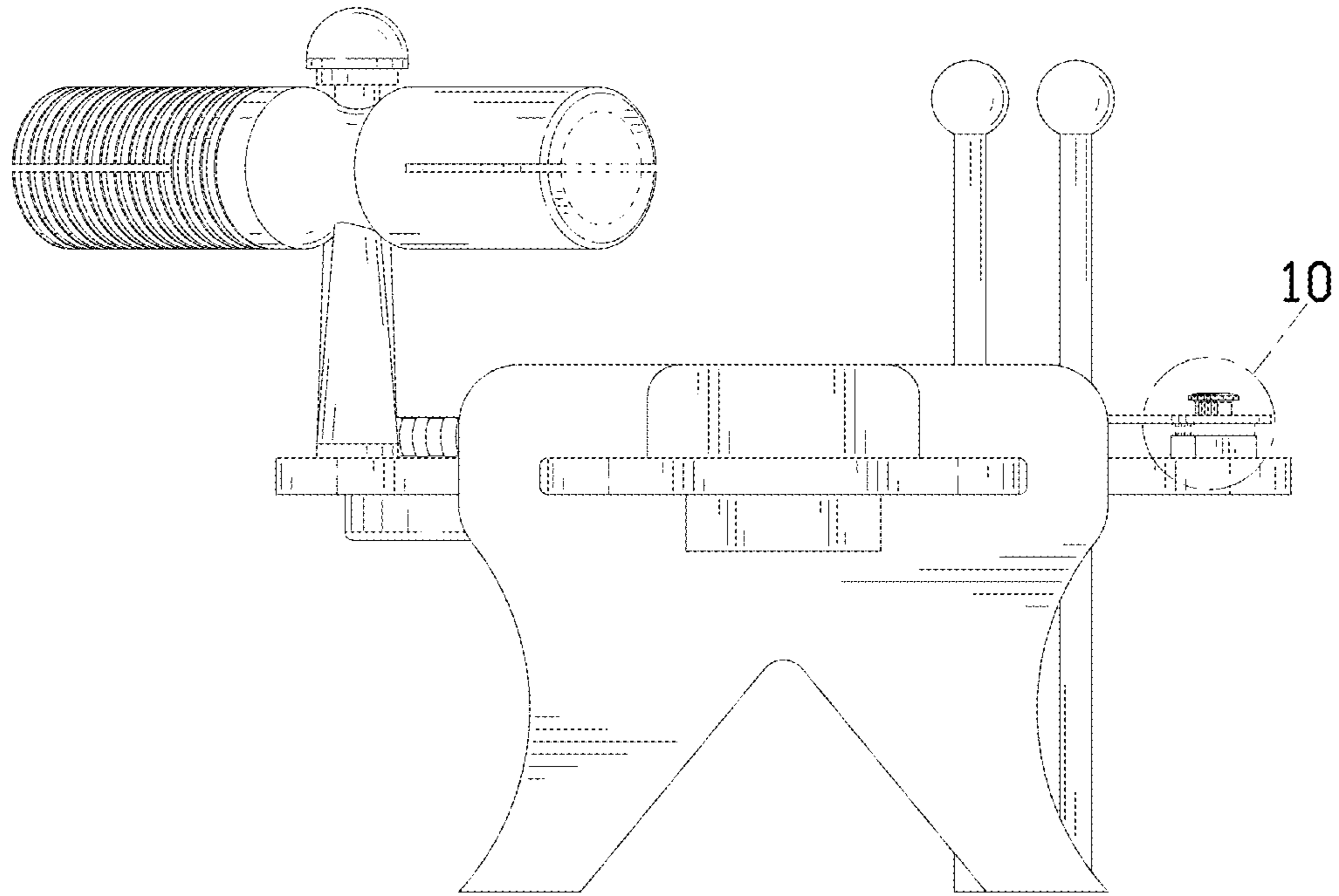


FIG. 5

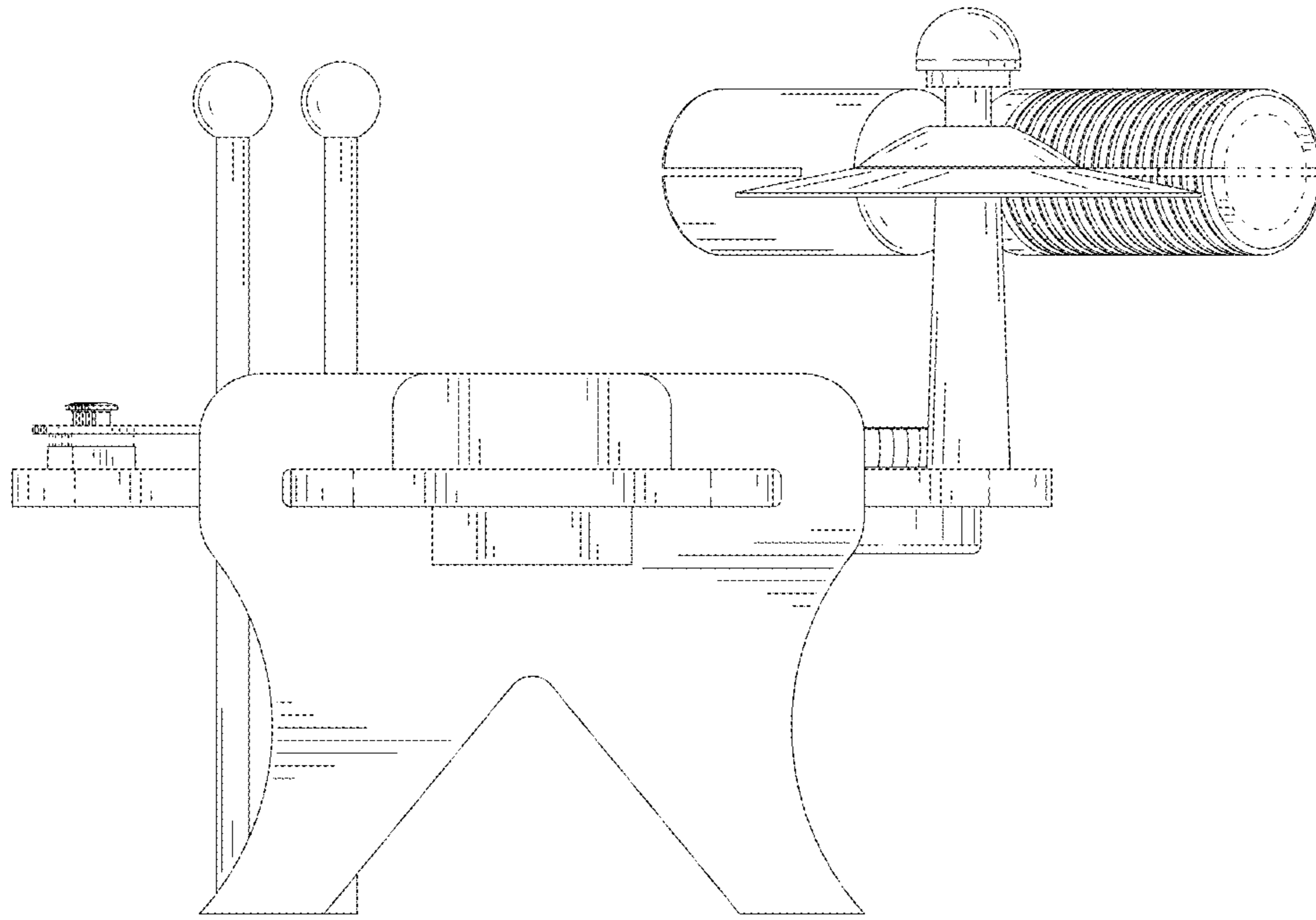


FIG. 6



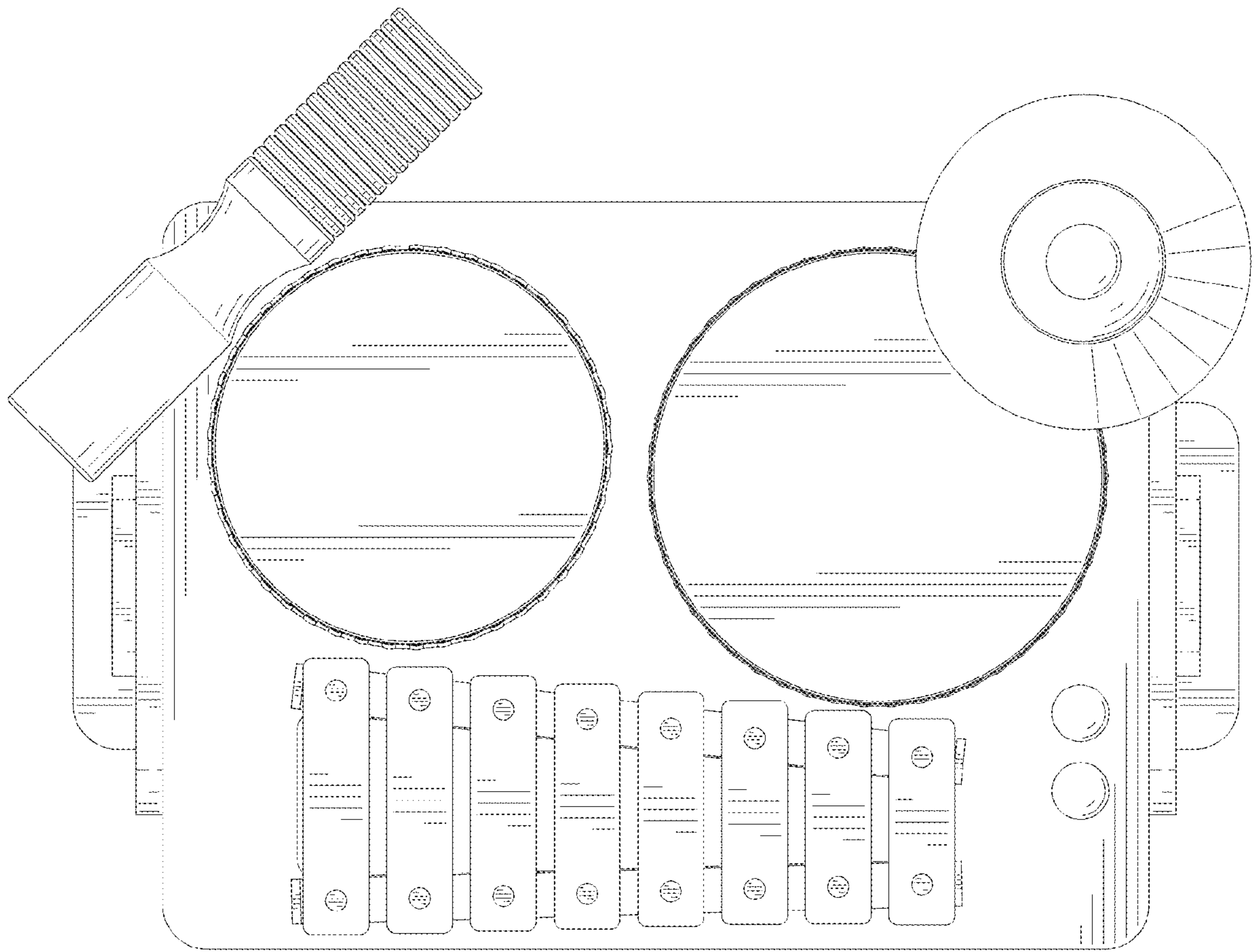


FIG. 7

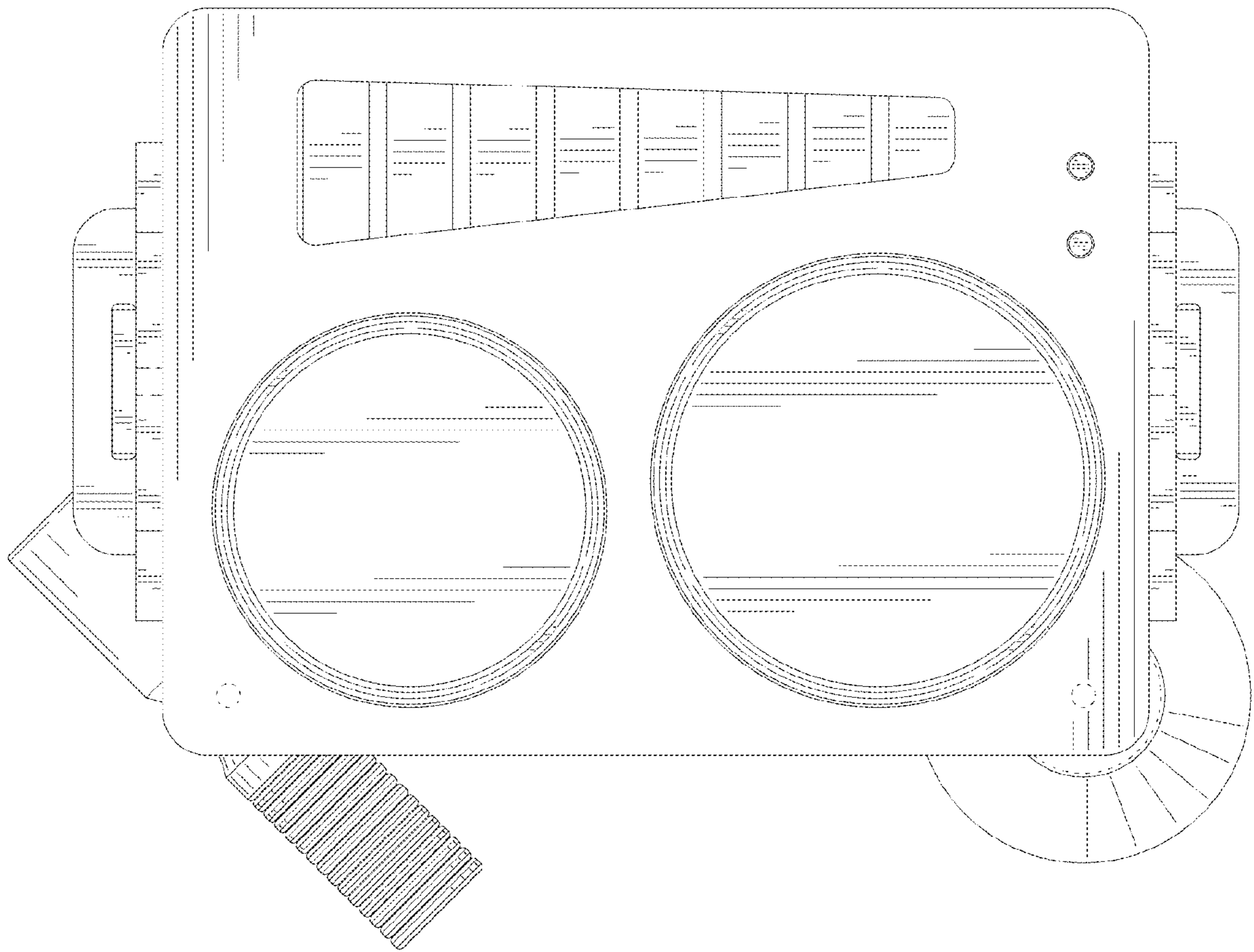


FIG. 8

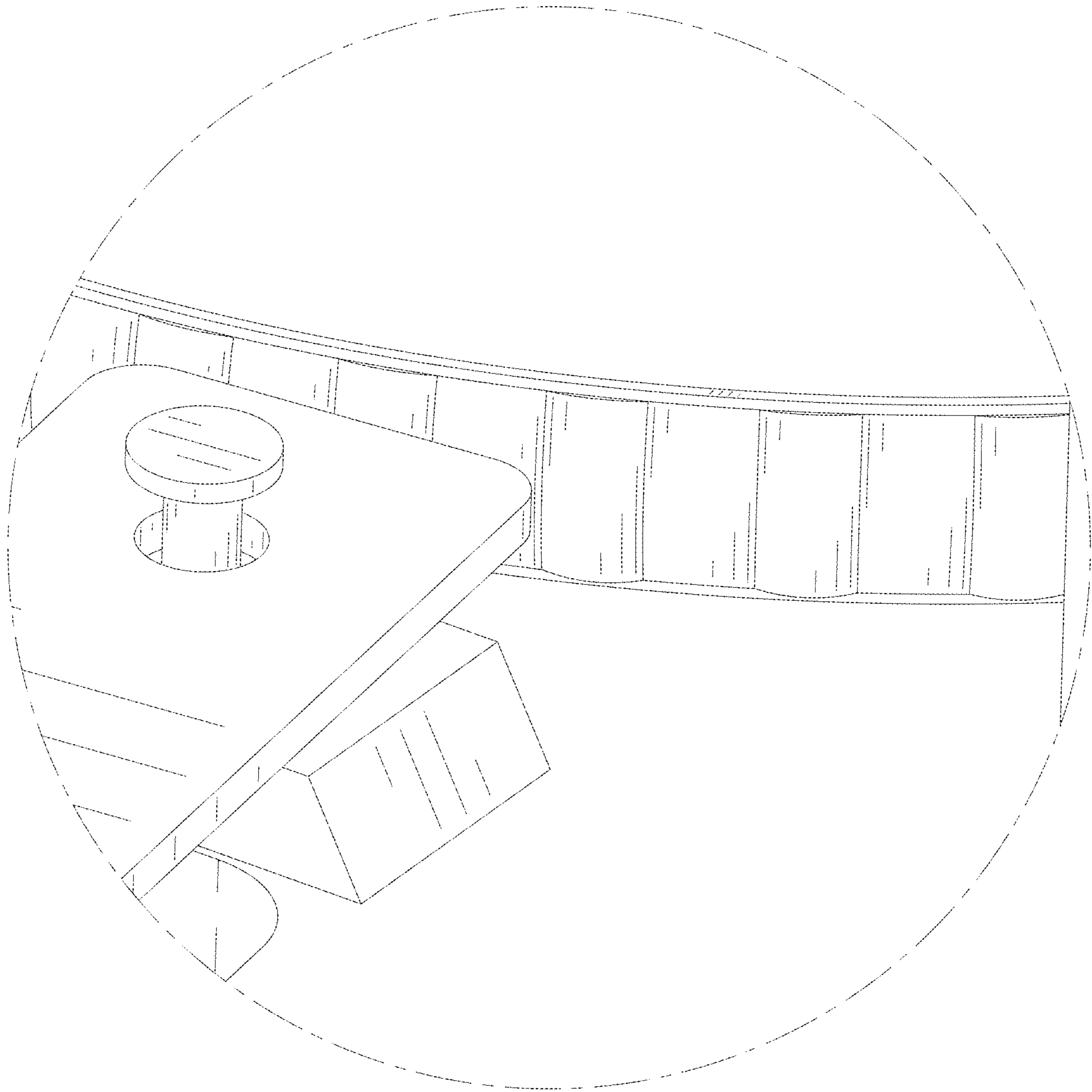


FIG. 9

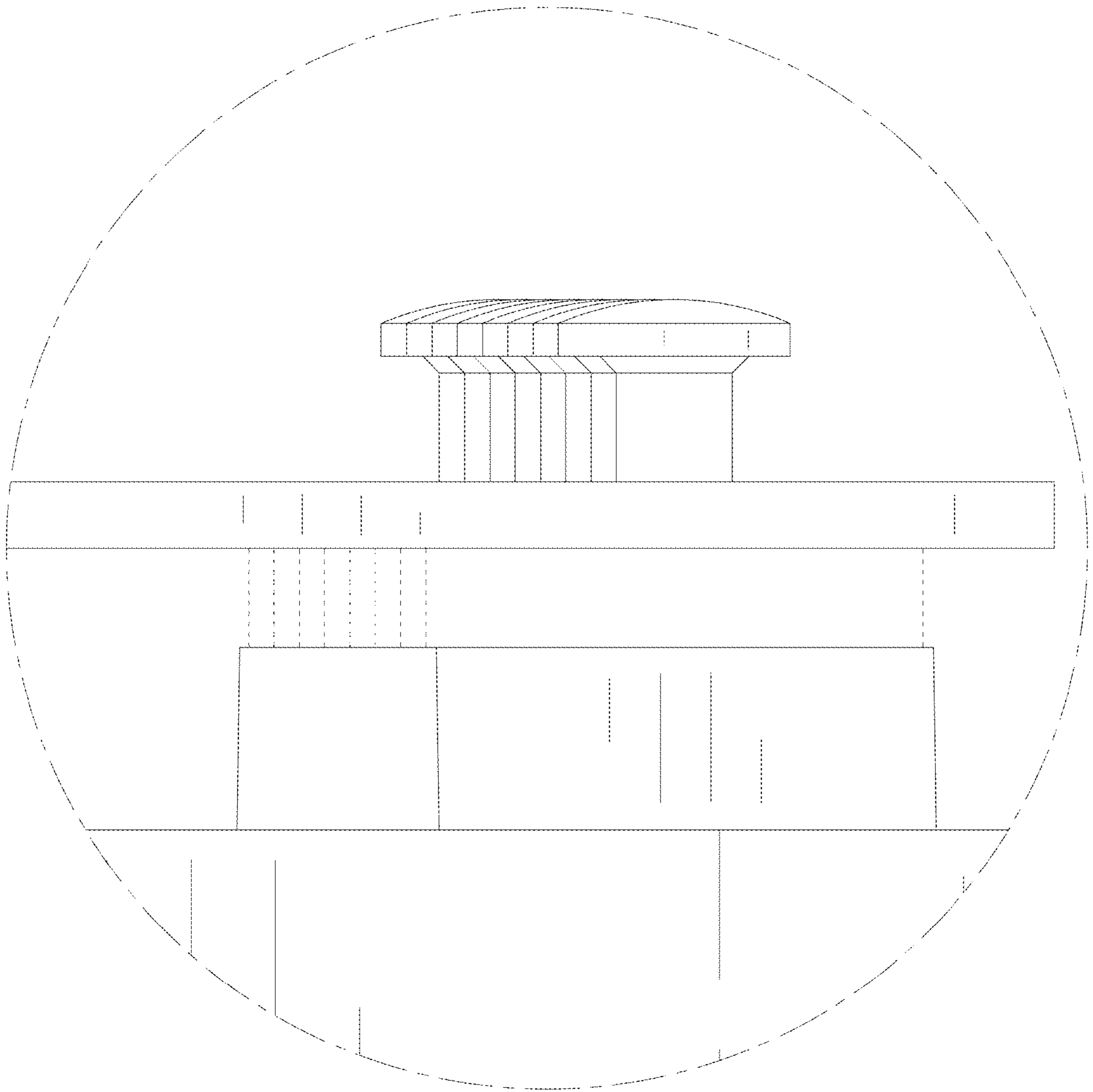


FIG. 10