



US00D985046S

(12) **United States Design Patent**
Lee

(10) **Patent No.: US D985,046 S**

(45) **Date of Patent: ** May 2, 2023**

(54) **ELECTRONIC CYMBAL**
(71) Applicant: **Quanzhou Moyin Musical Instrument Co., Ltd., Quanzhou (CN)**
(72) Inventor: **Cheng Lee, Quanzhou (CN)**
(73) Assignee: **Quanzhou Moyin Musical Instrument Co., Ltd., Quanzhou (CN)**

(**) Term: **15 Years**

(21) Appl. No.: **29/848,645**

(22) Filed: **Aug. 4, 2022**

(51) **LOC (14) Cl. 17-04**

(52) **U.S. Cl.**
USPC **D17/22**

(58) **Field of Classification Search**
USPC D17/22, 99; D21/405, 410
CPC G10D 13/00; G10D 13/01; G10D 13/02;
G10D 13/03; G10D 13/063; G10D
13/065; G10D 13/08; G10D 13/10; G10D
13/12; G10D 99/00
See application file for complete search history.

(56) **References Cited**

U.S. PATENT DOCUMENTS

641,028 A * 1/1900 Meehan F24F 7/02
454/367
D301,893 S * 6/1989 Hargrove D17/22
D579,041 S 10/2008 Nakao et al.
D597,589 S * 8/2009 Onishi D17/22
D607,921 S * 1/2010 Onishi D17/22
D688,737 S * 8/2013 Tatsumi D17/22
D692,943 S * 11/2013 Tatsumi D17/22
9,053,693 B1 * 6/2015 Wei G10H 3/00
9,990,909 B1 * 6/2018 Azaceta G10D 13/063

D859,350 S * 9/2019 Pedersen H04M 1/60
D14/149
D924,314 S * 7/2021 Kobayashi D17/22
2017/0025109 A1 * 1/2017 Watanabe G10D 13/065

FOREIGN PATENT DOCUMENTS

JP 2002062872 A * 2/2002

OTHER PUBLICATIONS

Musician's Friend, <https://www.musiciansfriend.com/drums-percussion/roland-cy-8-v-cymbal-dual-trigger-crash/44991800000000>. "Roland CY-8 V-Cymbal Dual-Trigger Crash". Jul. 2011 (Year: 2011).
Amazon.com. https://www.amazon.com/Alesis-Cymbal-Silverline-Audio-Connection/dp/B09PJ8DQ17/ref=sr_1_8?crd=3K04MTJH3MTEY&keywords=electronic+cymbal&qid=1676158087&srefix=electronic+cymbal%2Caps%2C81&sr=8-8. "Alesis 10 Inch Cymbal". Jan. 1, 2022 (Year: 2022).*

* cited by examiner

Primary Examiner — R. Johnson
(74) *Attorney, Agent, or Firm* — Nitin Kaushik

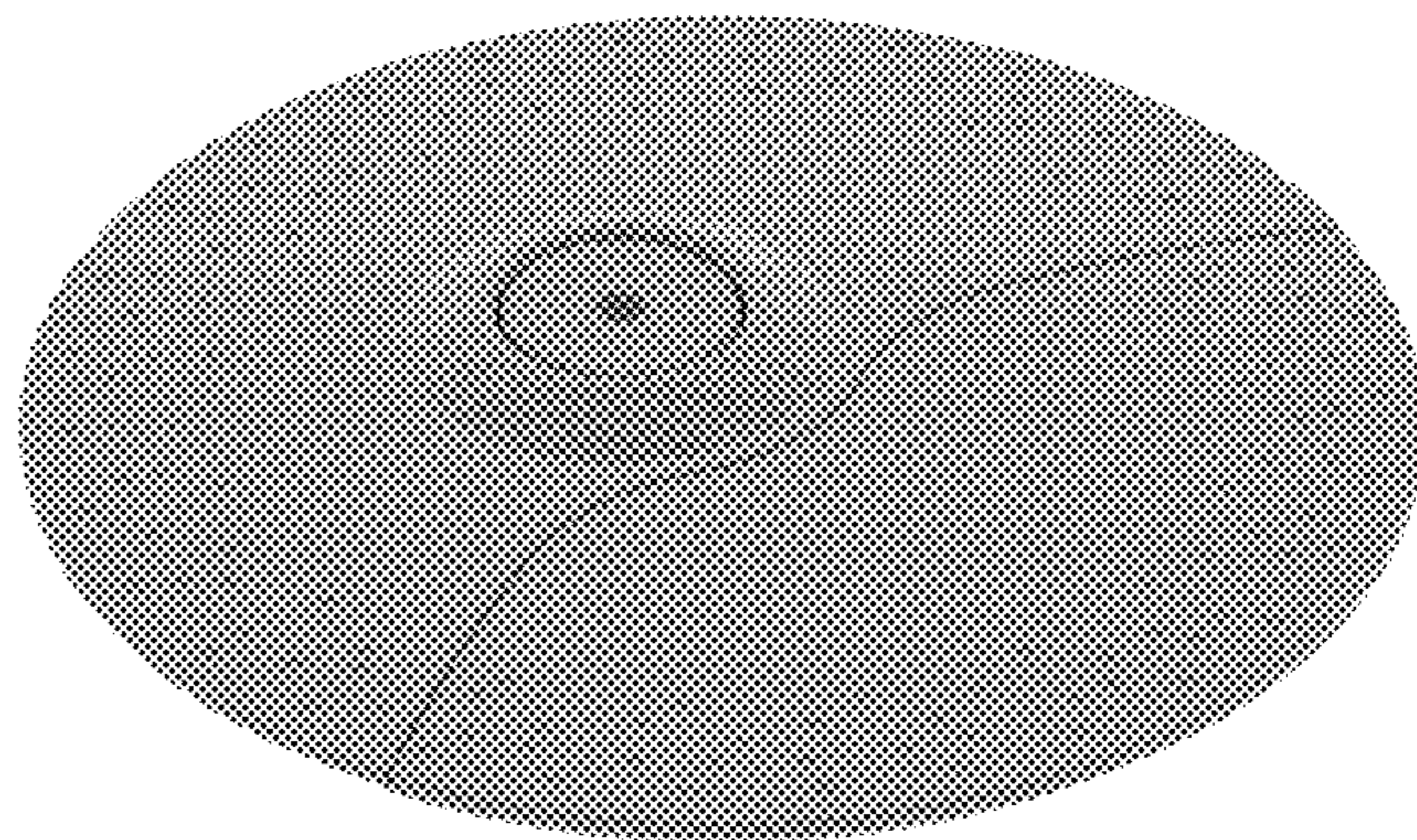
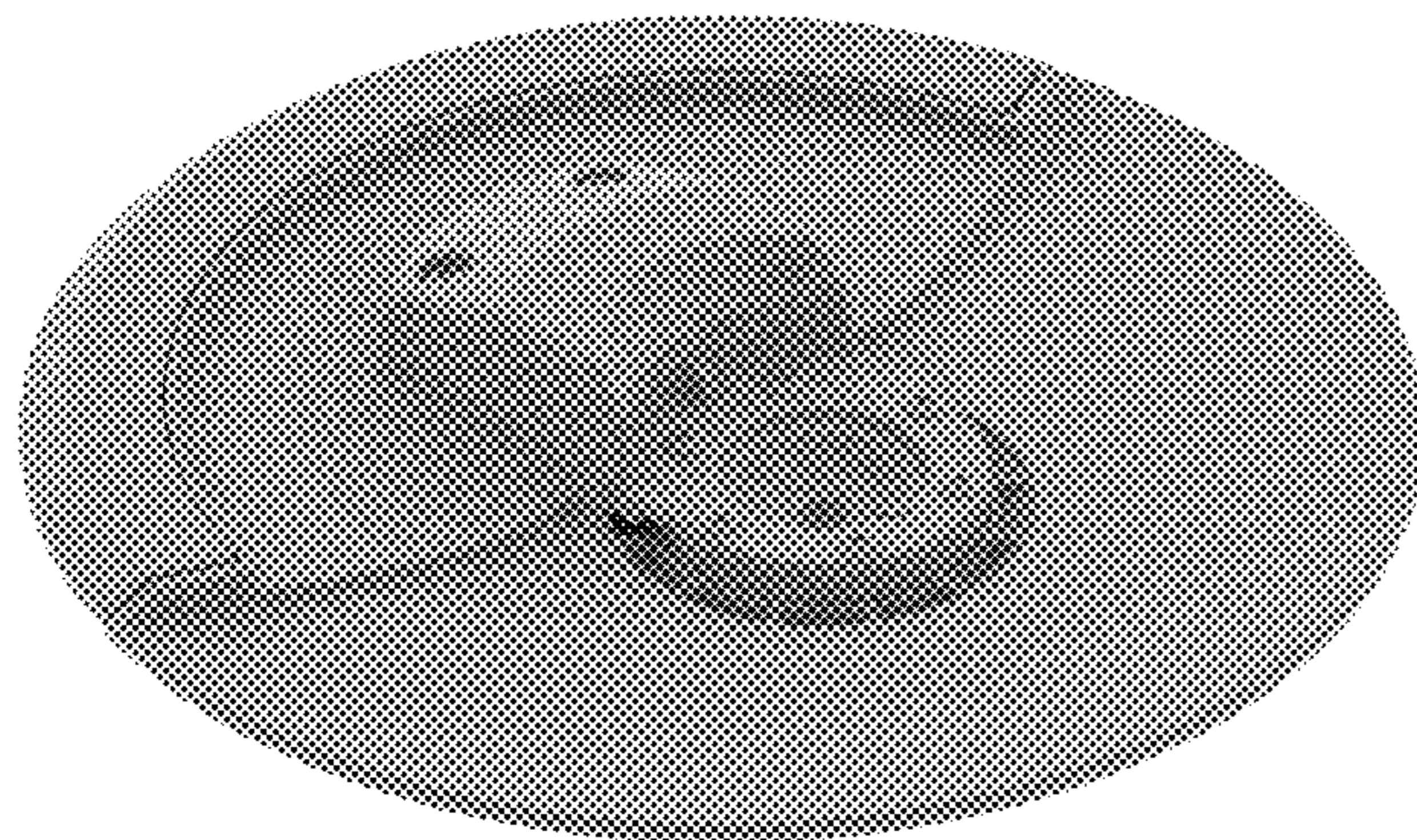
(57) **CLAIM**

The ornamental design for an electronic cymbal, as shown and described.

DESCRIPTION

FIG. 1 is a top perspective view of an electronic cymbal, showing my new design;
FIG. 2 is a bottom perspective view thereof;
FIG. 3 is a front view thereof;
FIG. 4 is a rear view thereof;
FIG. 5 is a left side view thereof;
FIG. 6 is a right side view thereof;
FIG. 7 is a top view thereof; and,
FIG. 8 is a bottom view thereof.

1 Claim, 8 Drawing Sheets



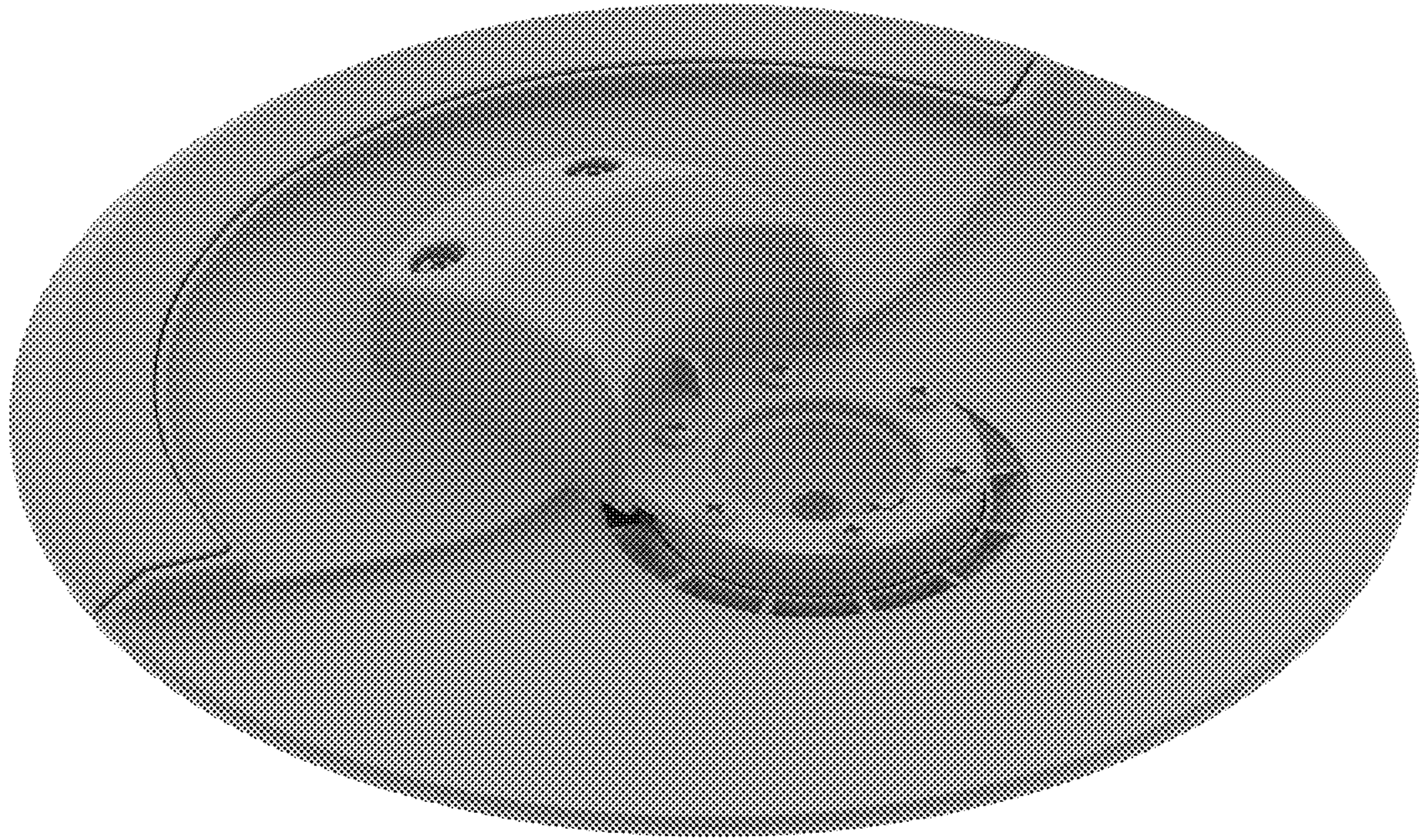


FIG. 1

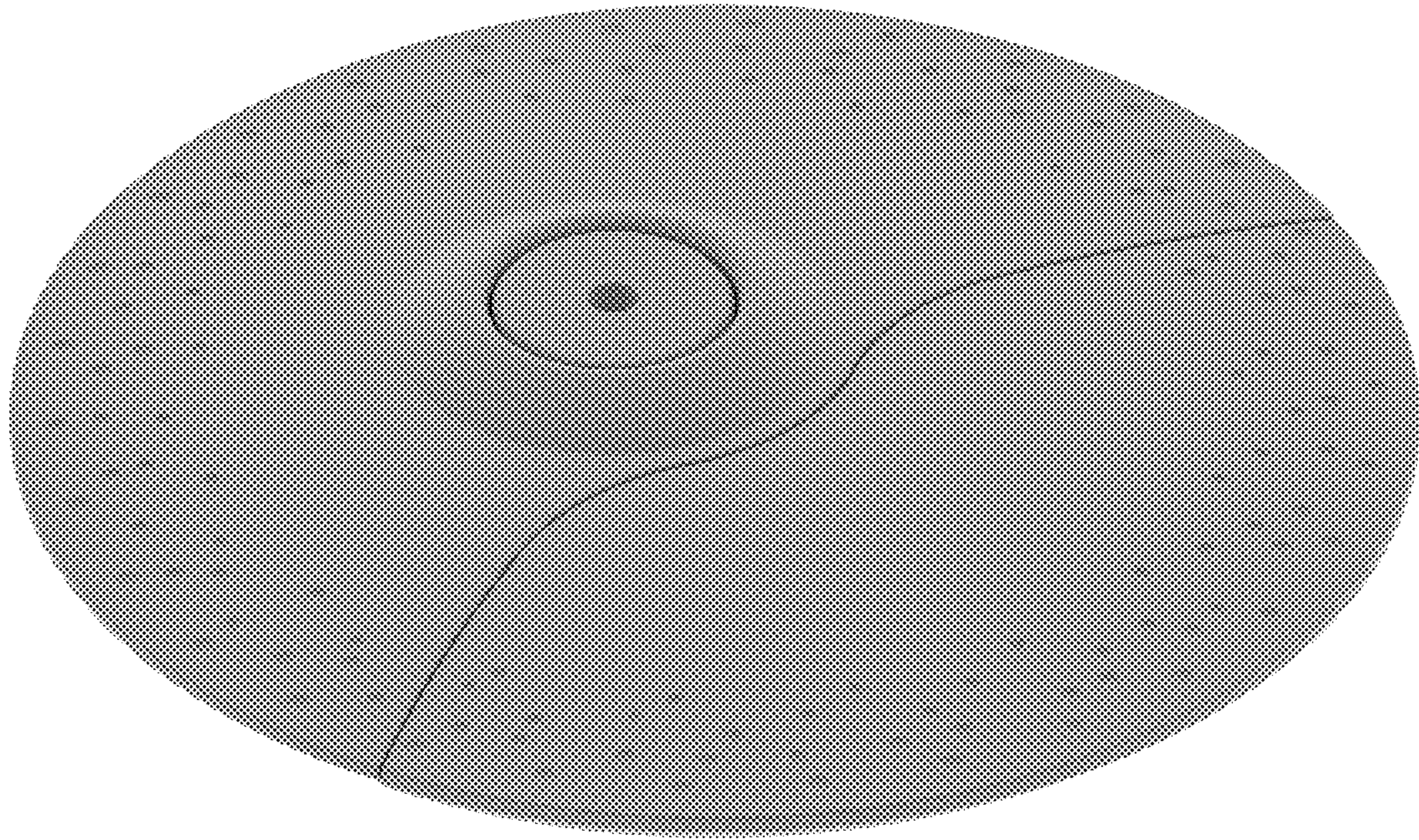


FIG. 2

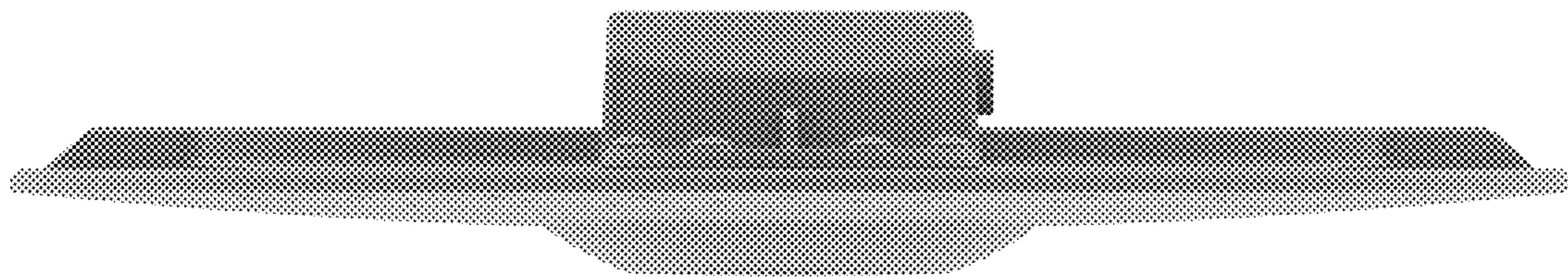


FIG. 3

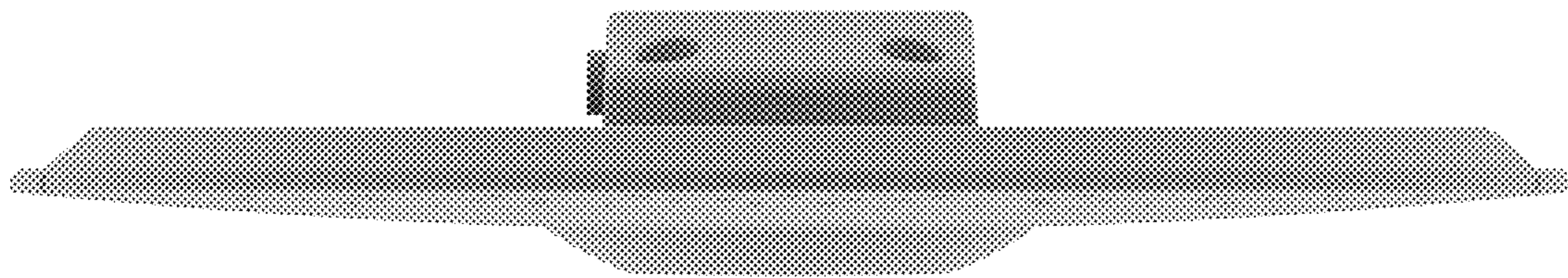


FIG. 4



FIG. 5



FIG. 6

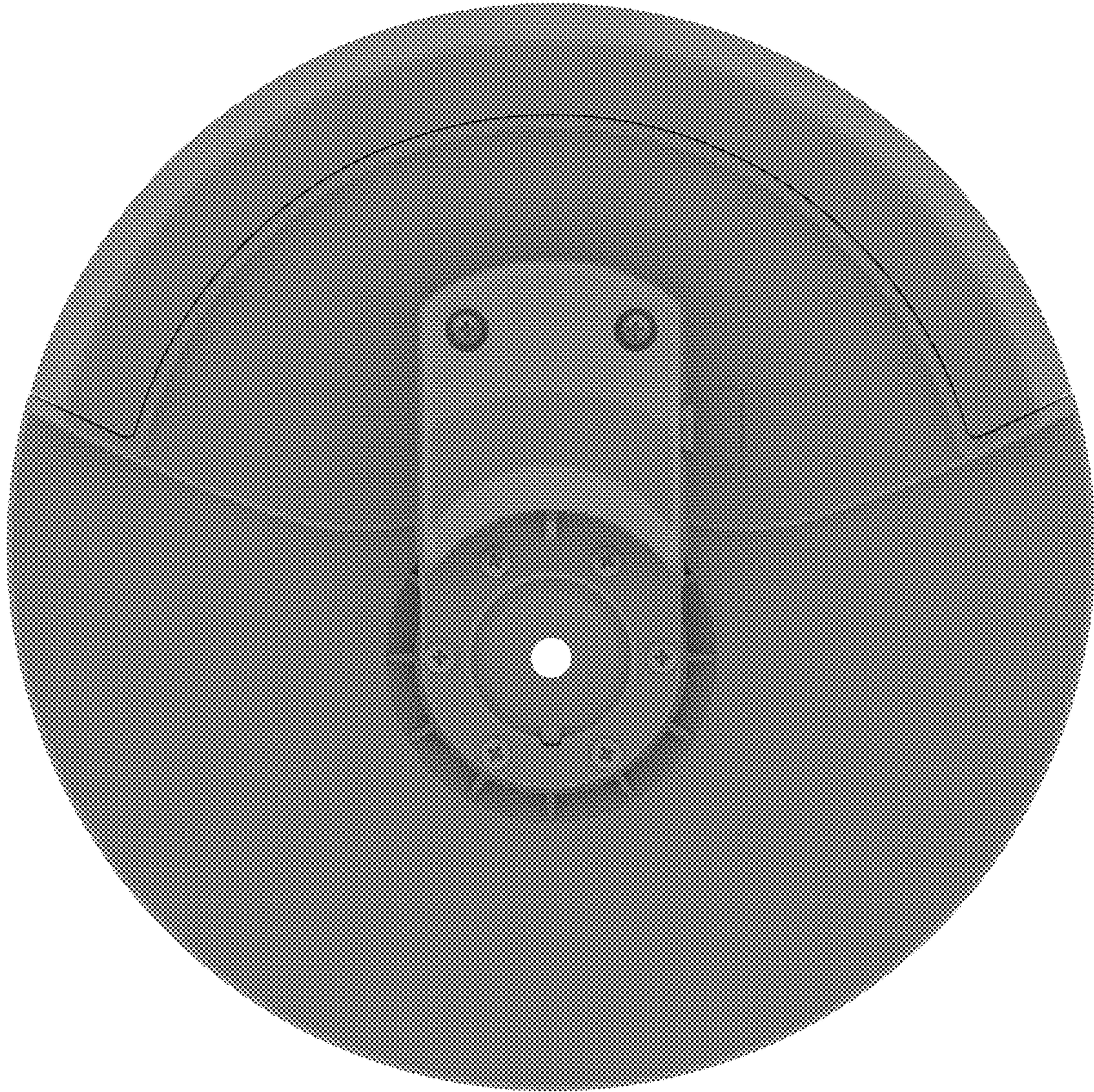


FIG. 7

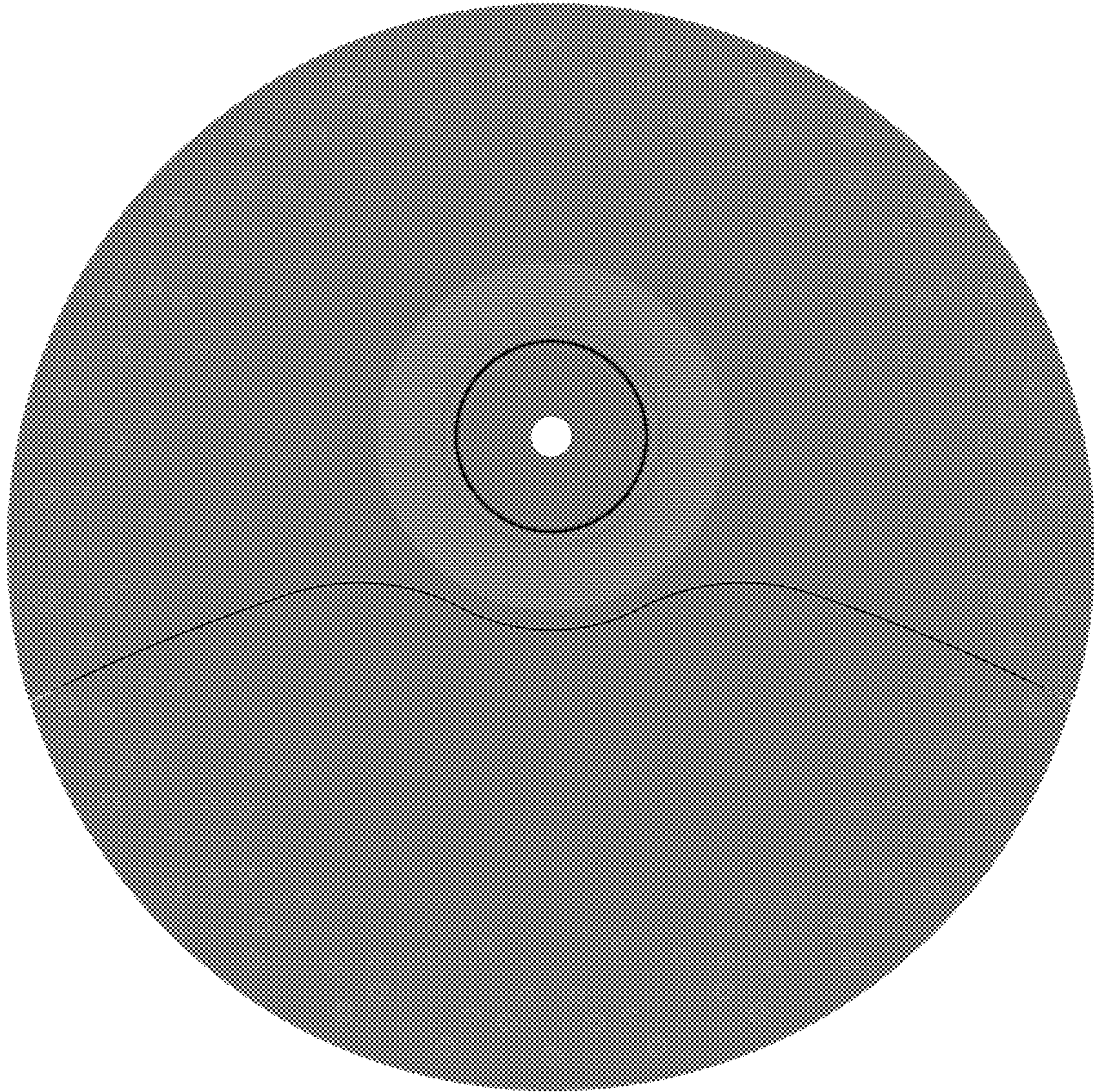


FIG. 8