



US00D985042S

(12) **United States Design Patent** (10) **Patent No.:** **US D985,042 S**
Tian (45) **Date of Patent:** **** May 2, 2023**

(54) **EYE MASK**

FOREIGN PATENT DOCUMENTS

(71) Applicant: **Junhui Tian**, Henan (CN)

EM 008369375-0028 * 1/2021
GB 6143692 * 6/2021

(72) Inventor: **Junhui Tian**, Henan (CN)

OTHER PUBLICATIONS

(**) Term: **15 Years**

“Ezona Sleep Headphones,” first available Aug. 27, 2021, retrieved Nov. 7, 2022 from <https://www.amazon.com/Headphones-Wireless-Bluetooth-Ezona-Adjustable/dp/B0BJ6DFVXF> (Year: 2021).*

(21) Appl. No.: **29/781,391**

* cited by examiner

(22) Filed: **Apr. 29, 2021**

(51) **LOC (14) Cl.** **02-03**

Primary Examiner — Maria J. Edwards

(52) **U.S. Cl.**

Assistant Examiner — Dina Michelle Hoeyneck

USPC **D16/301**; D2/875; D14/192; D14/205

(74) *Attorney, Agent, or Firm* — ScienBiziP, P.C.

(58) **Field of Classification Search**

USPC D16/100, 101, 300, 301, 313–315,
D16/319–330, 332–335; D14/372, 192,
D14/205, 172; D2/875, 866

CPC G02C 2200/08; G02C 5/14; G02C 5/008;
G02C 7/10

See application file for complete search history.

(57) **CLAIM**

The ornamental design for an eye mask, as shown and described.

DESCRIPTION

(56) **References Cited**

U.S. PATENT DOCUMENTS

D870,062 S	*	12/2019	Peng	D2/866
D913,984 S	*	3/2021	Li	D14/192
D918,991 S	*	5/2021	Du	D16/301
D923,186 S	*	6/2021	Guo	D24/206
D932,459 S	*	10/2021	Liu	D14/205
D938,381 S	*	12/2021	Li	D16/301
D939,617 S	*	12/2021	Liu	D16/301
D946,549 S	*	3/2022	Wang	D14/205
D952,595 S	*	5/2022	Lan	D14/192
D954,133 S	*	6/2022	Chen	D16/301
D964,957 S	*	9/2022	Li	D14/192
D964,959 S	*	9/2022	Peng	D14/192
D970,856 S	*	11/2022	Xiong	D2/875

FIG. 1 is a front, right, and top perspective view of an eye mask, showing my design.

FIG. 2 is a rear, left, and top perspective view thereof.

FIG. 3 is a front elevation view thereof.

FIG. 4 is a rear elevation view thereof.

FIG. 5 is a left side elevation view thereof.

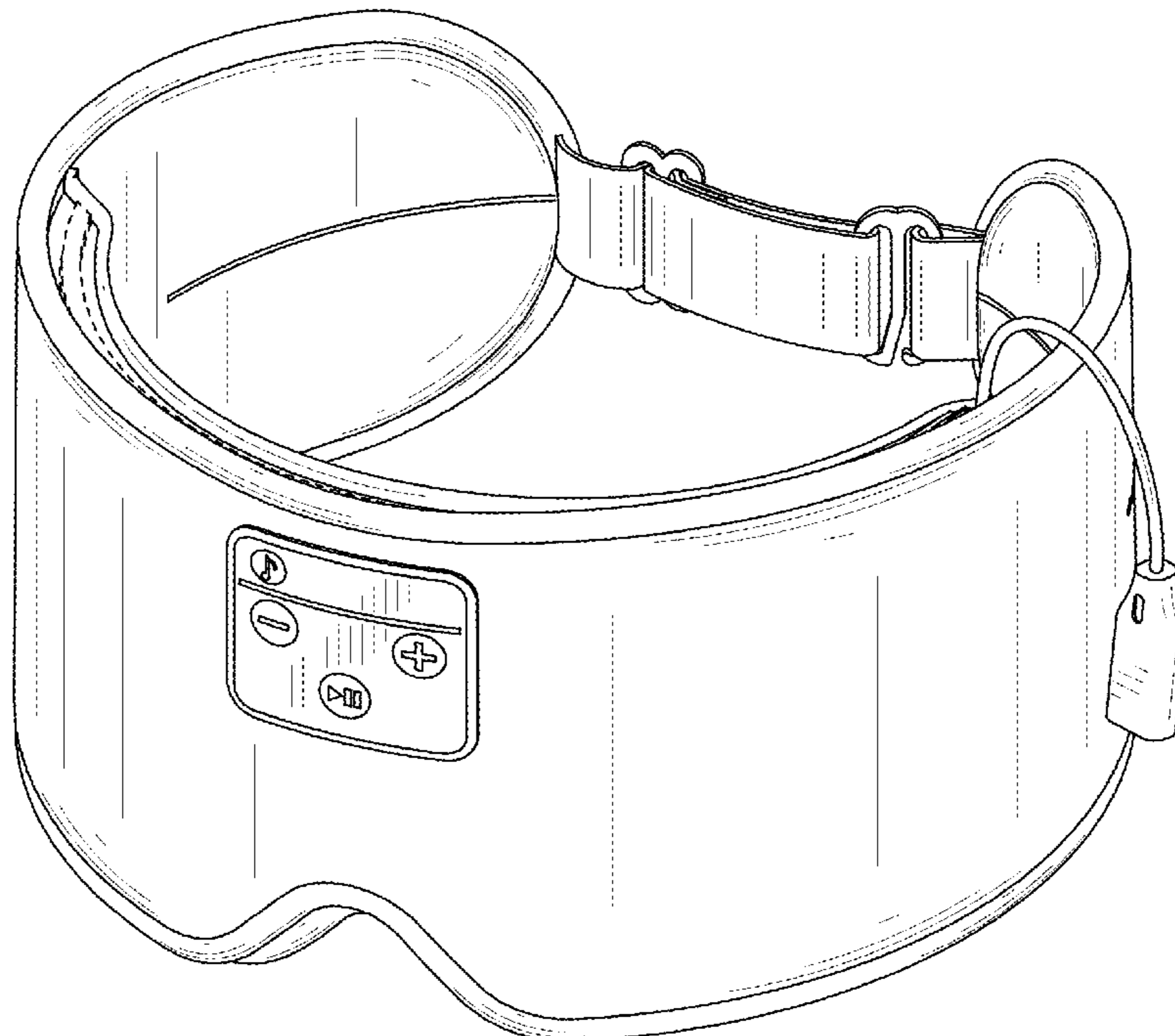
FIG. 6 is a right side elevation view thereof.

FIG. 7 is a top plan view thereof; and,

FIG. 8 is a bottom plan view thereof.

The broken lines shown in the drawings are included for the purpose of illustrating portions of the eye mask that form no part of the claimed design.

1 Claim, 8 Drawing Sheets



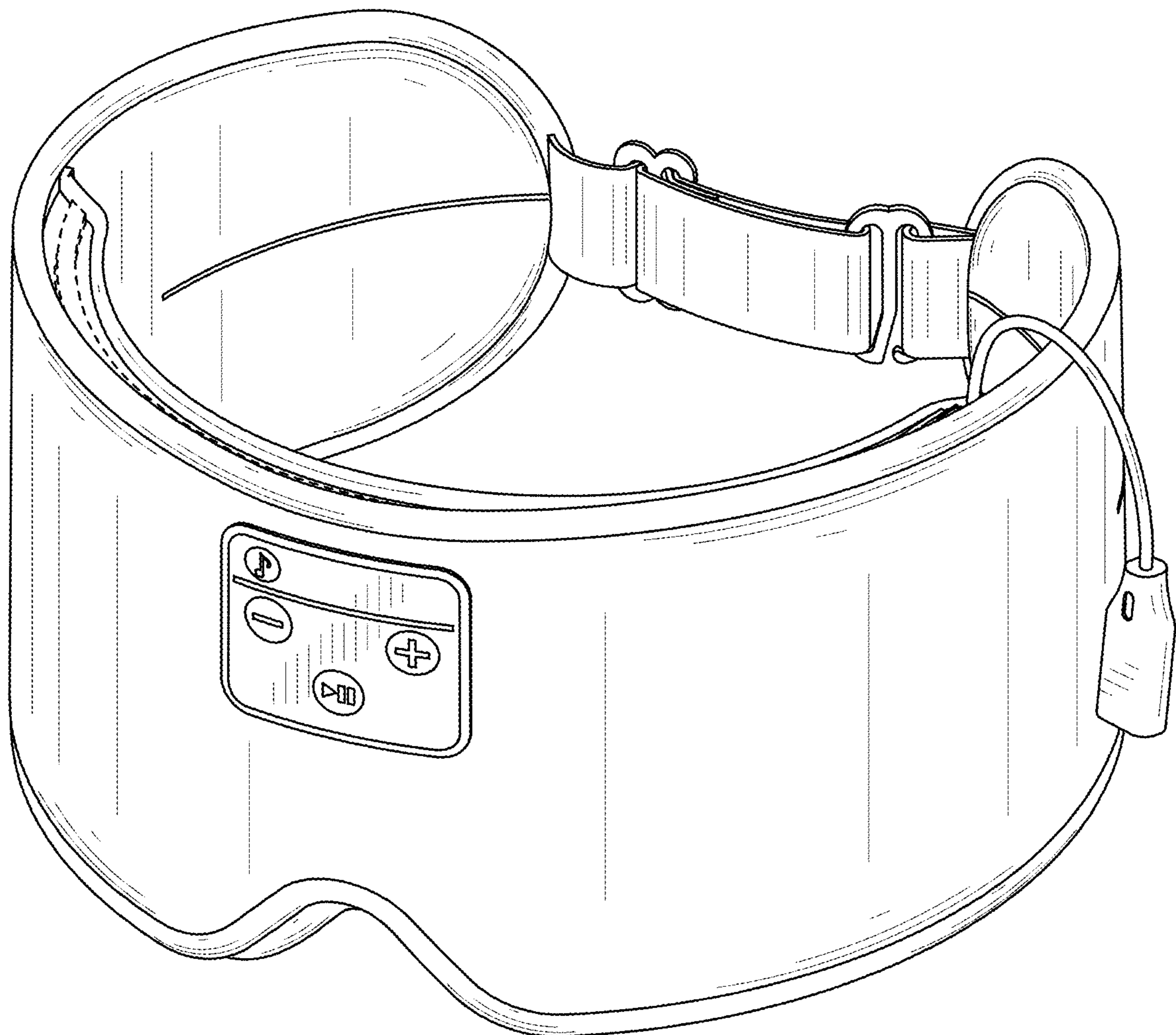


FIG. 1

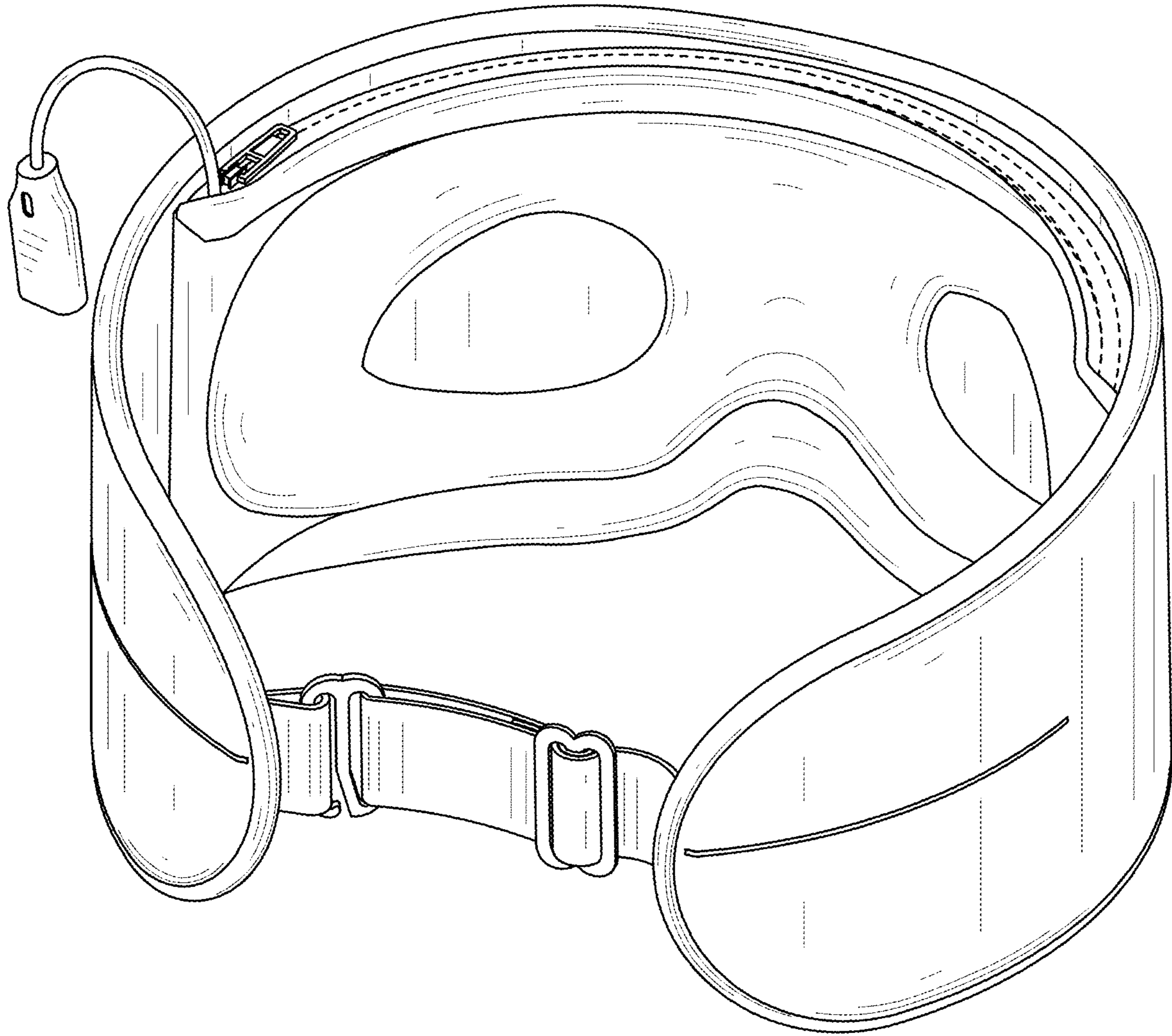


FIG. 2

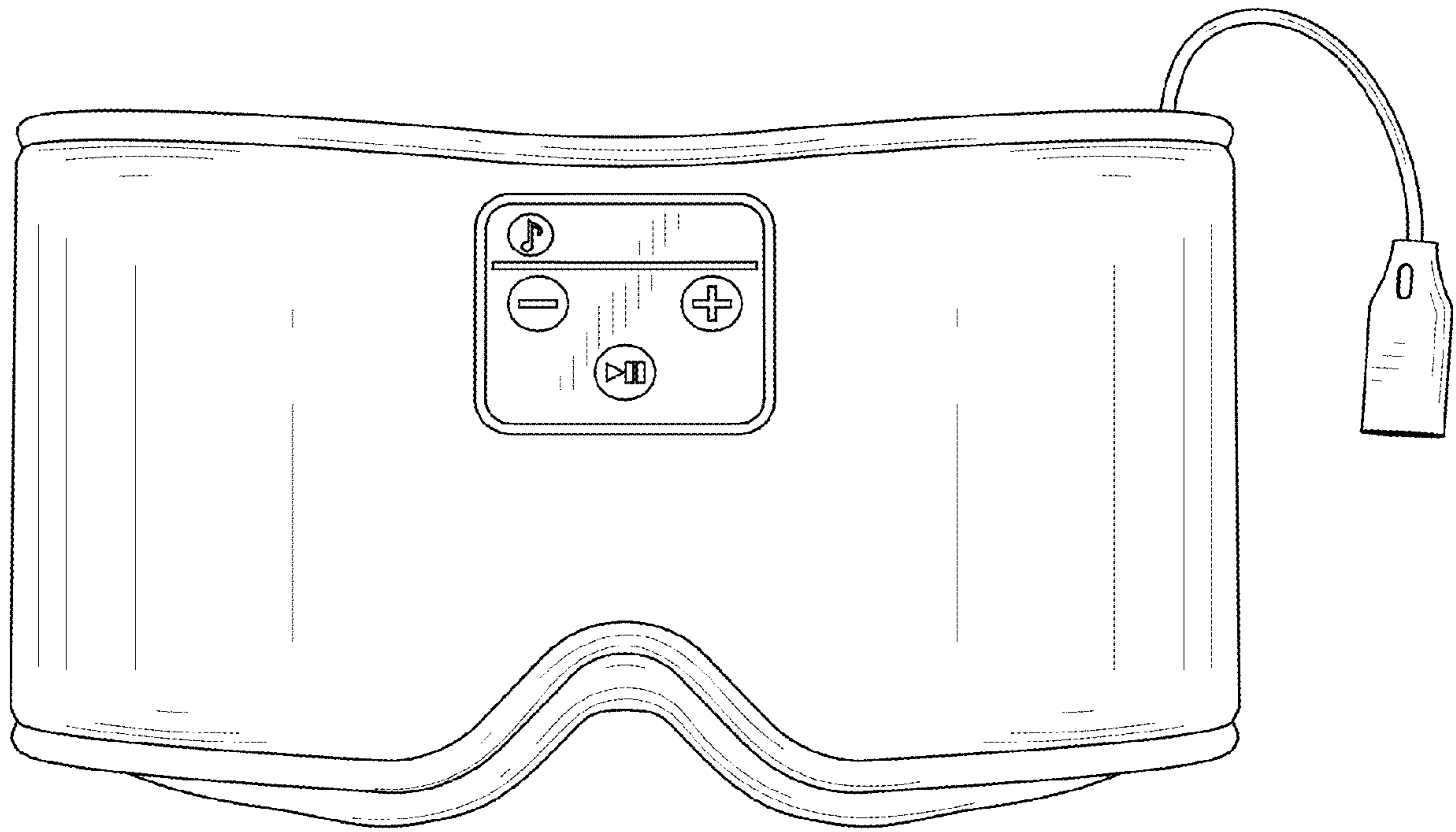


FIG. 3

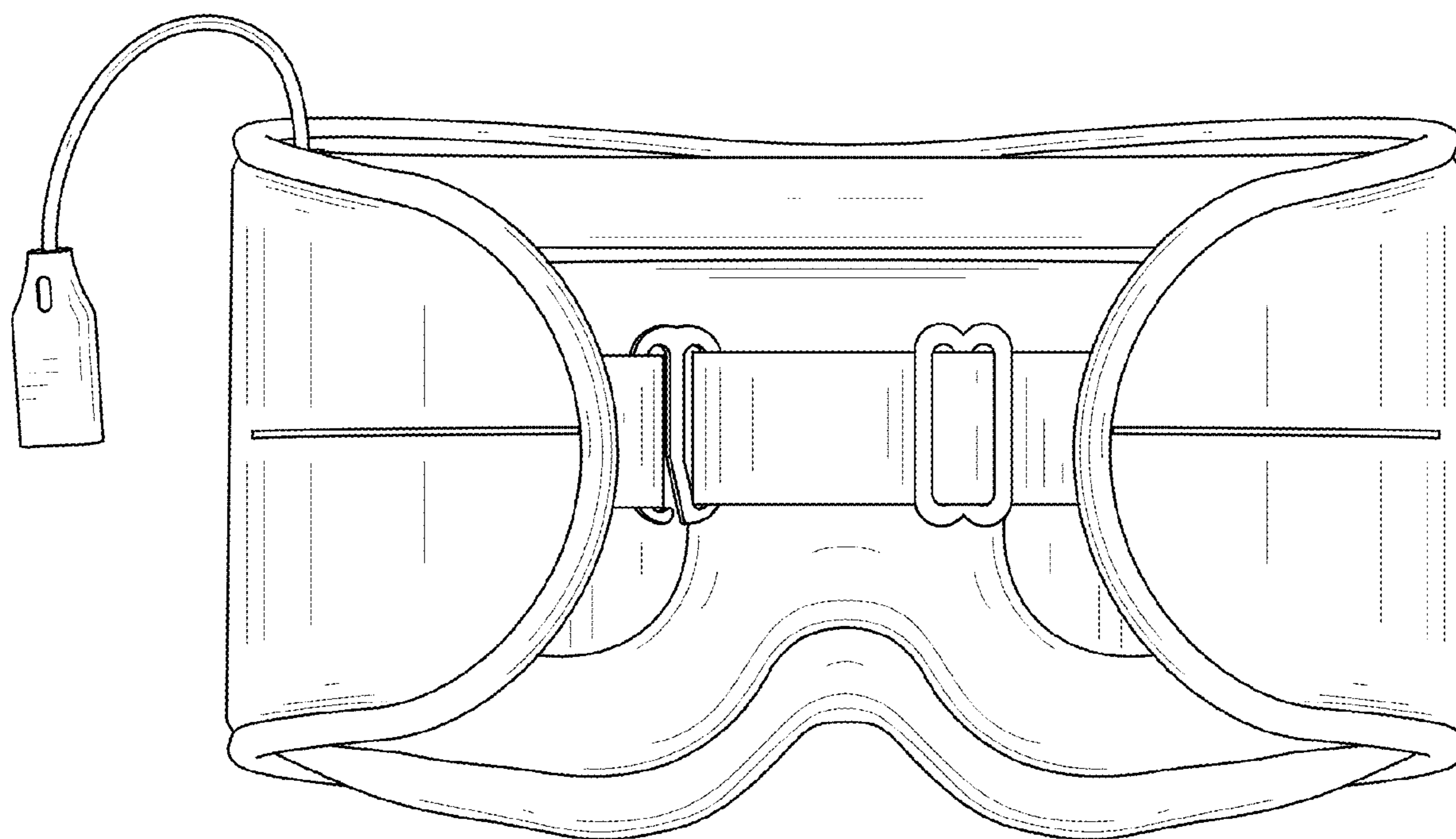


FIG. 4

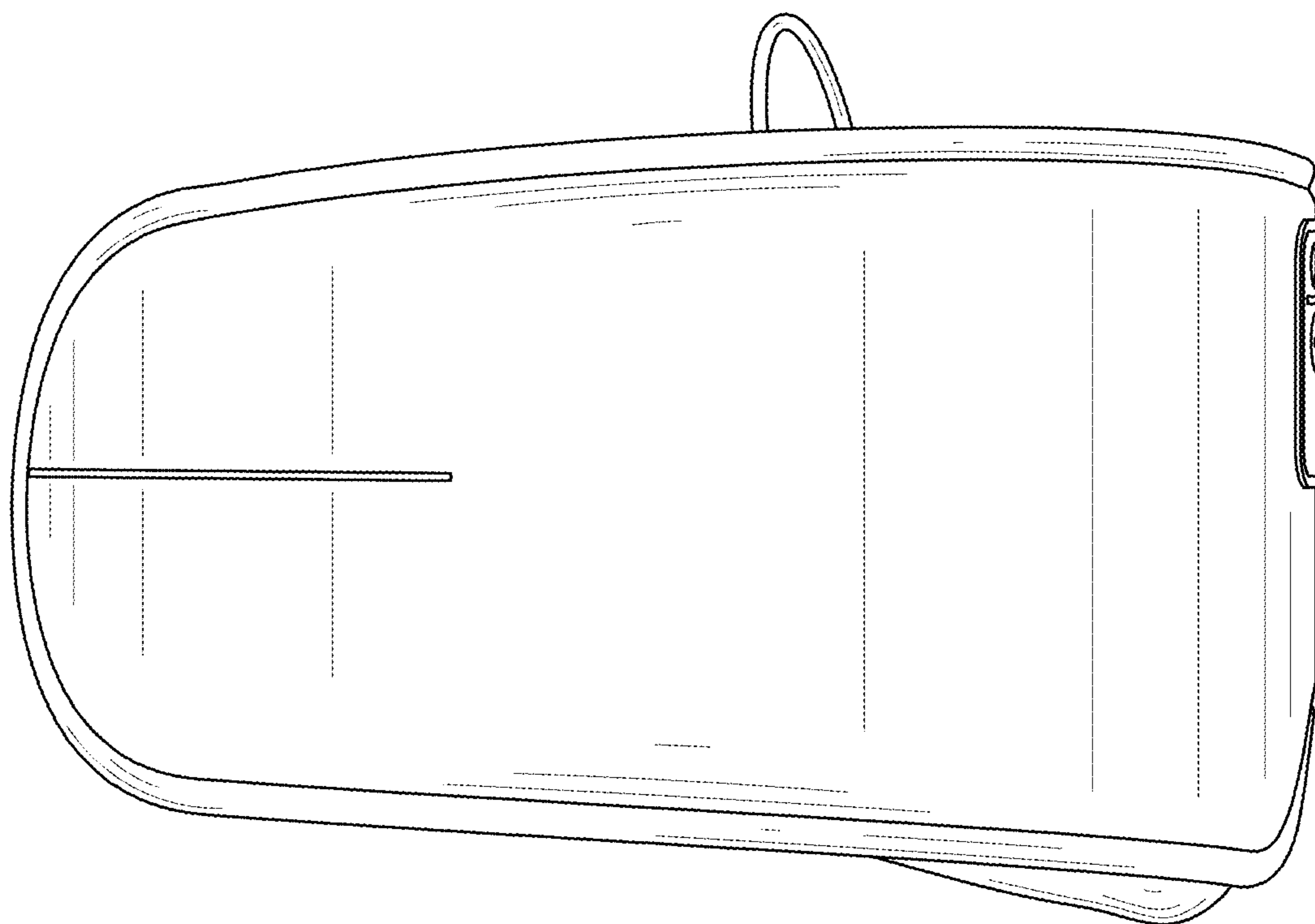


FIG. 5

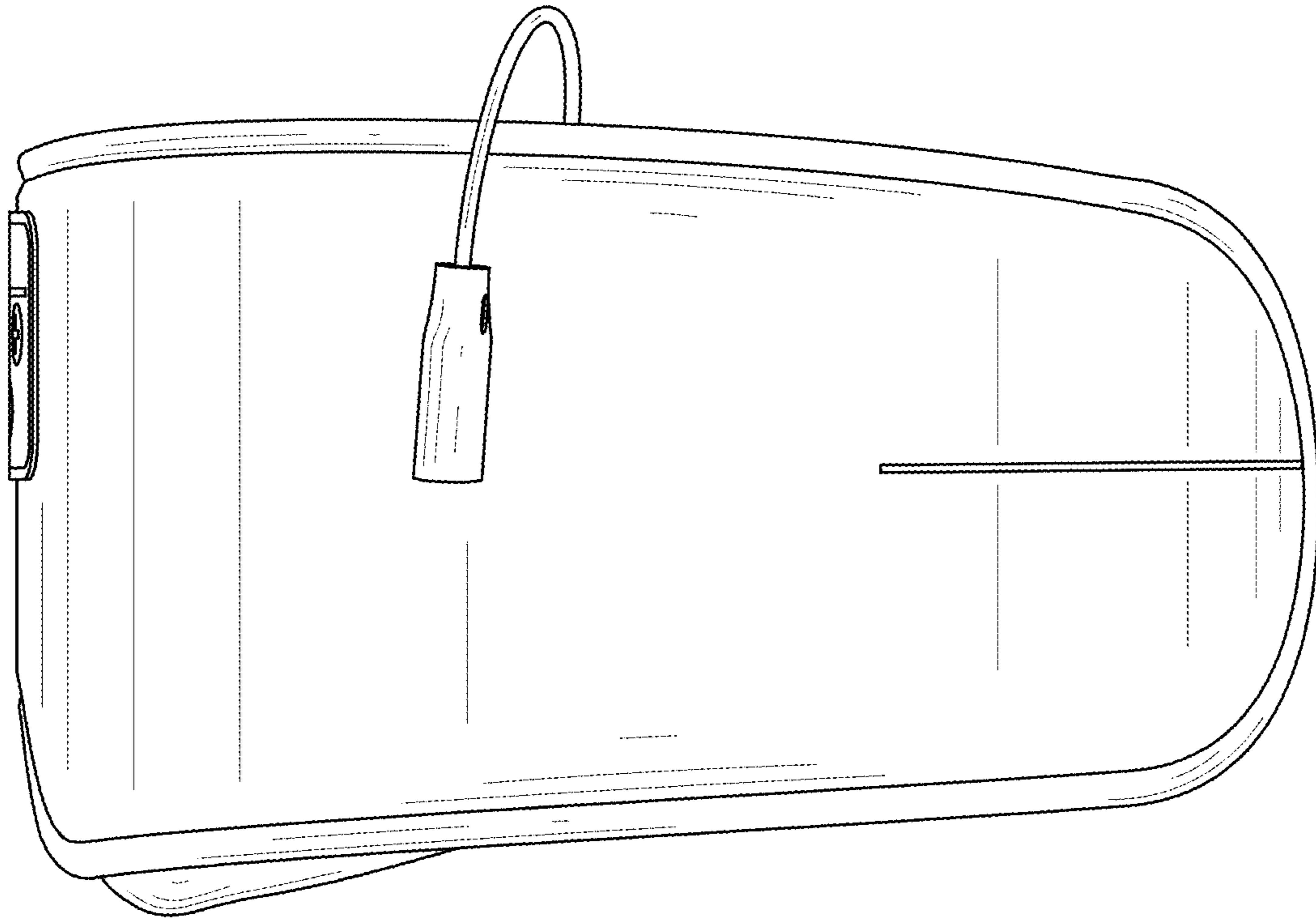


FIG. 6

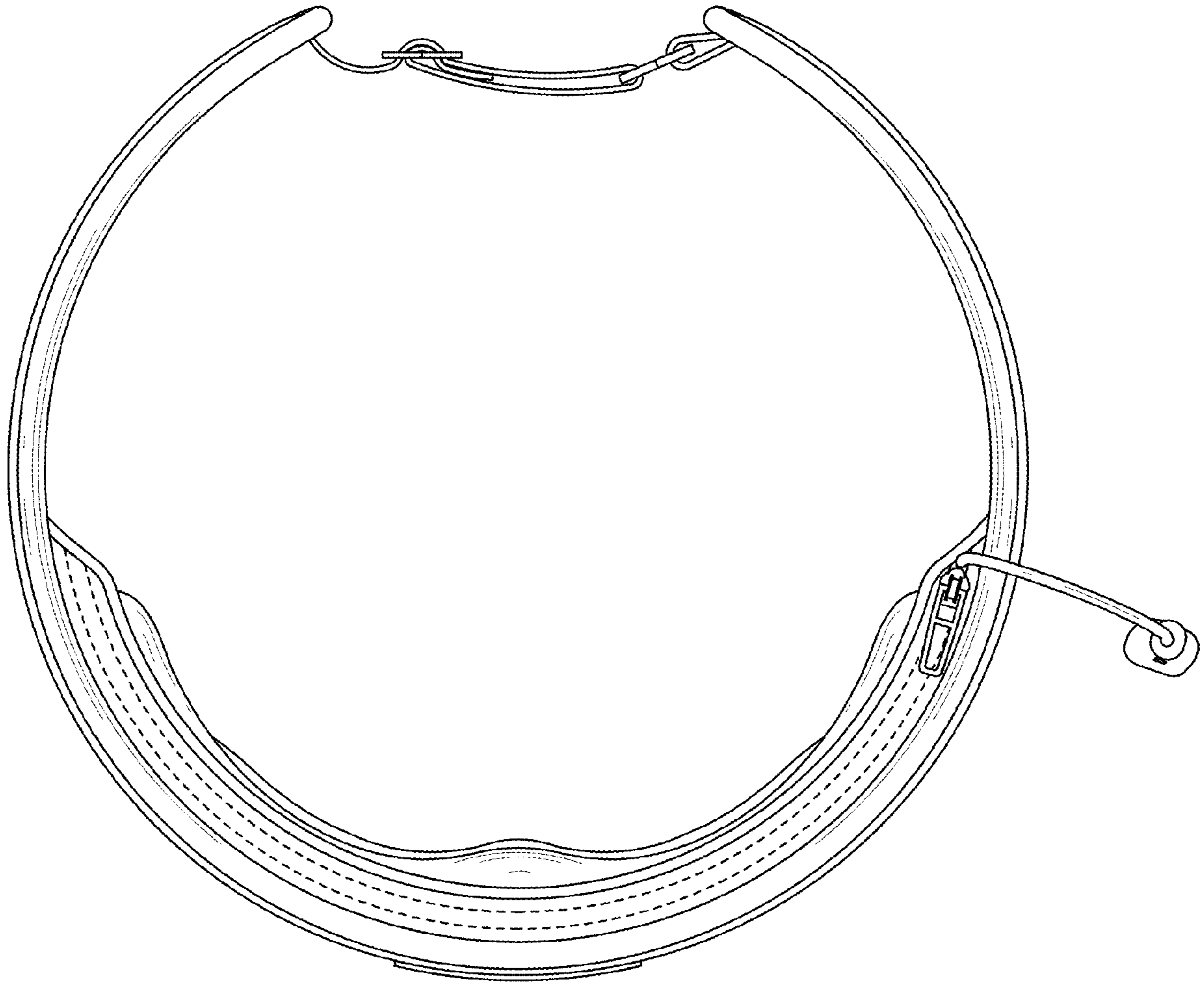


FIG. 7

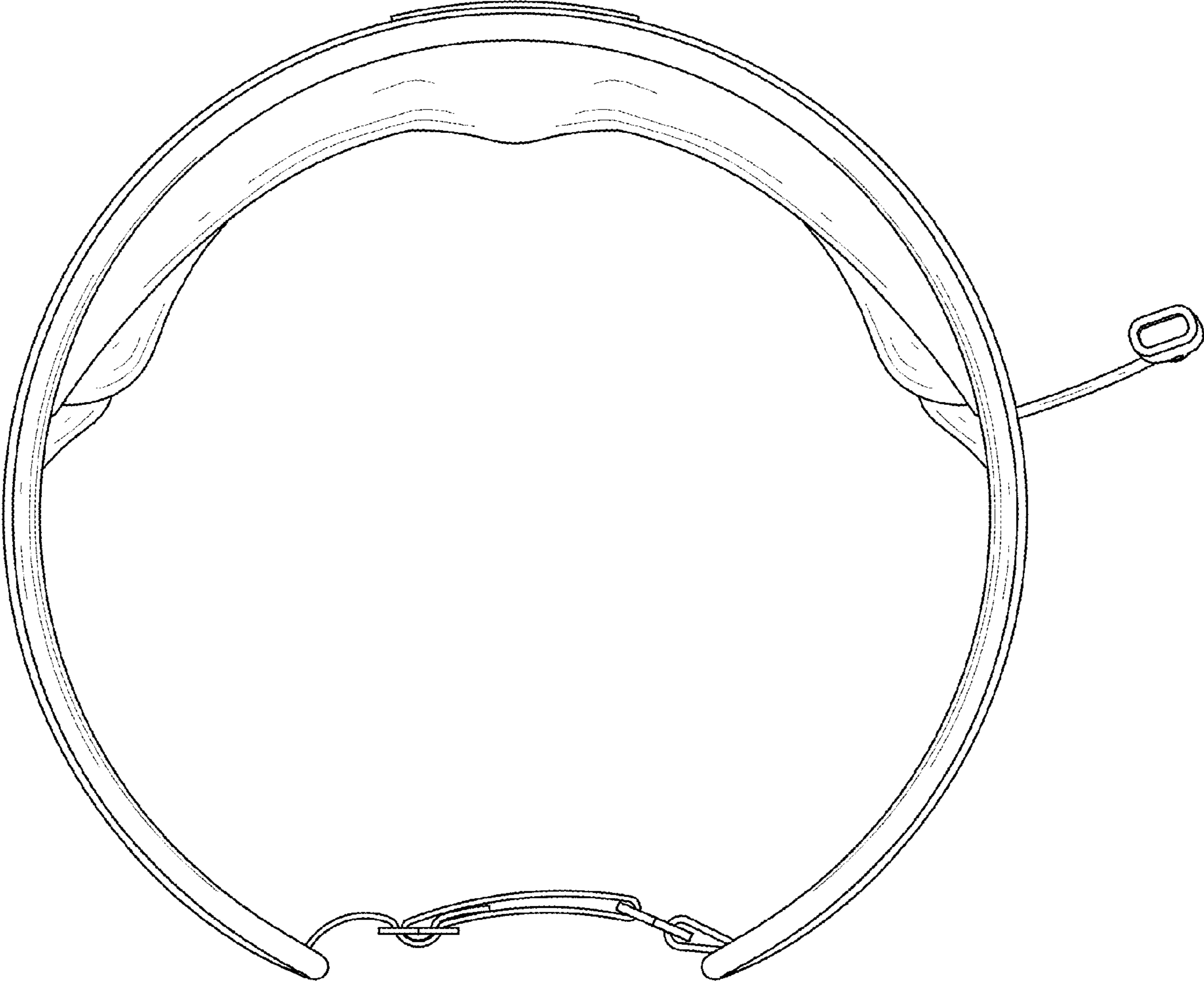


FIG. 8