



US00D985041S

(12) **United States Design Patent**
Zeng

(10) **Patent No.:** **US D985,041 S**

(45) **Date of Patent:** **** May 2, 2023**

(54) **TRIPOD**

(71) Applicant: **Zhongshan Xinbao Hardware Products Co., Ltd, Zhongshan (CN)**

(72) Inventor: **Xianhui Zeng, Ganzhou (CN)**

(73) Assignee: **Zhongshan Xinbao Hardware Products Co., Ltd, Zhongshan (CN)**

(**) Term: **15 Years**

(21) Appl. No.: **29/806,119**

(22) Filed: **Sep. 1, 2021**

(51) **LOC (14) Cl.** **16-05**

(52) **U.S. Cl.**
USPC **D16/244**

(58) **Field of Classification Search**
USPC D8/349, 363, 373; D16/219, 235,
D16/237-245; D26/67, 93, 142, 150
CPC F16M 11/14; F16M 11/16; F16M 11/32;
F16M 11/38; G03B 17/561; G03B
17/566; G02B 7/00-002
See application file for complete search history.

(56) **References Cited**

U.S. PATENT DOCUMENTS

D767,664 S *	9/2016	Polito	D16/242
D781,950 S *	3/2017	Weisz	D16/242
11,339,916 B2 *	5/2022	Smith	F16M 11/10
D960,966 S *	8/2022	Tan	D16/244
D962,328 S *	8/2022	Zhong	D16/244
D969,902 S *	11/2022	Chen	D16/244
2015/0322986 A1 *	11/2015	Hu	G03B 17/561 403/314

2018/0274719 A1 *	9/2018	Orf	F15B 15/14
2021/0123561 A1 *	4/2021	Smith	F16M 11/32
2022/0091486 A1 *	3/2022	He	H04N 5/2254

* cited by examiner

Primary Examiner — Richard Kearney
Assistant Examiner — Benjamin M Weeks

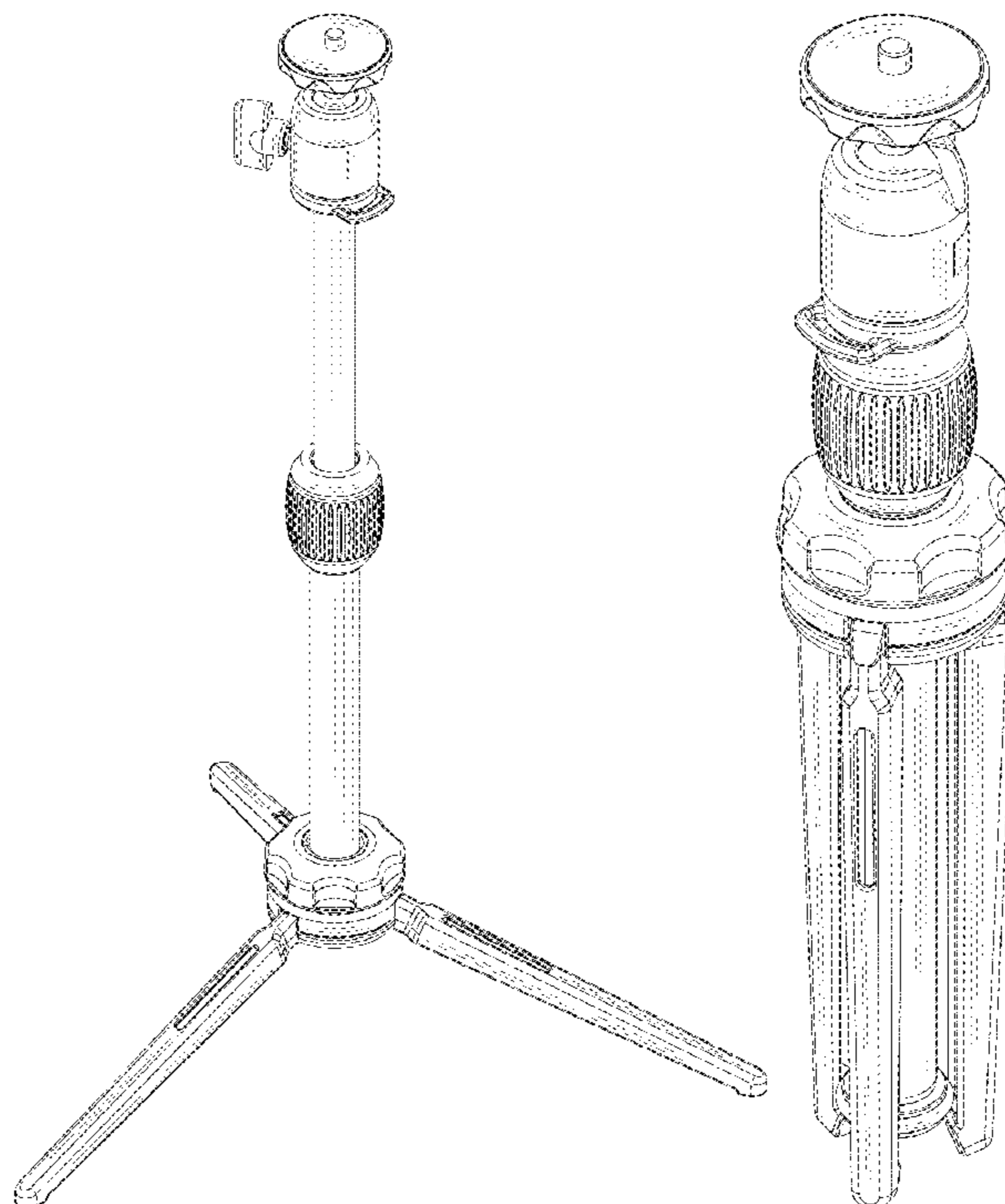
(57) **CLAIM**

The ornamental design for tripod, as shown and described.

DESCRIPTION

FIG. 1 is a front view of a tripod according to the invention;
FIG. 2 is a back view of the tripod according to the invention;
FIG. 3 is a right side view of the tripod according to the invention;
FIG. 4 is a left side view of the tripod according to the invention;
FIG. 5 is a top view of the tripod according to the invention;
FIG. 6 is a bottom view of the tripod according to the invention;
FIG. 7 is a perspective view of the tripod according to the invention;
FIG. 8 is a perspective view of the tripod according to the invention;
FIG. 9 is a perspective view of the collapsed tripod according to the invention;
FIG. 10 is a perspective view of the collapsed tripod according to the invention; and,
FIG. 11 is a perspective view of the collapsed tripod according to the invention.

1 Claim, 11 Drawing Sheets



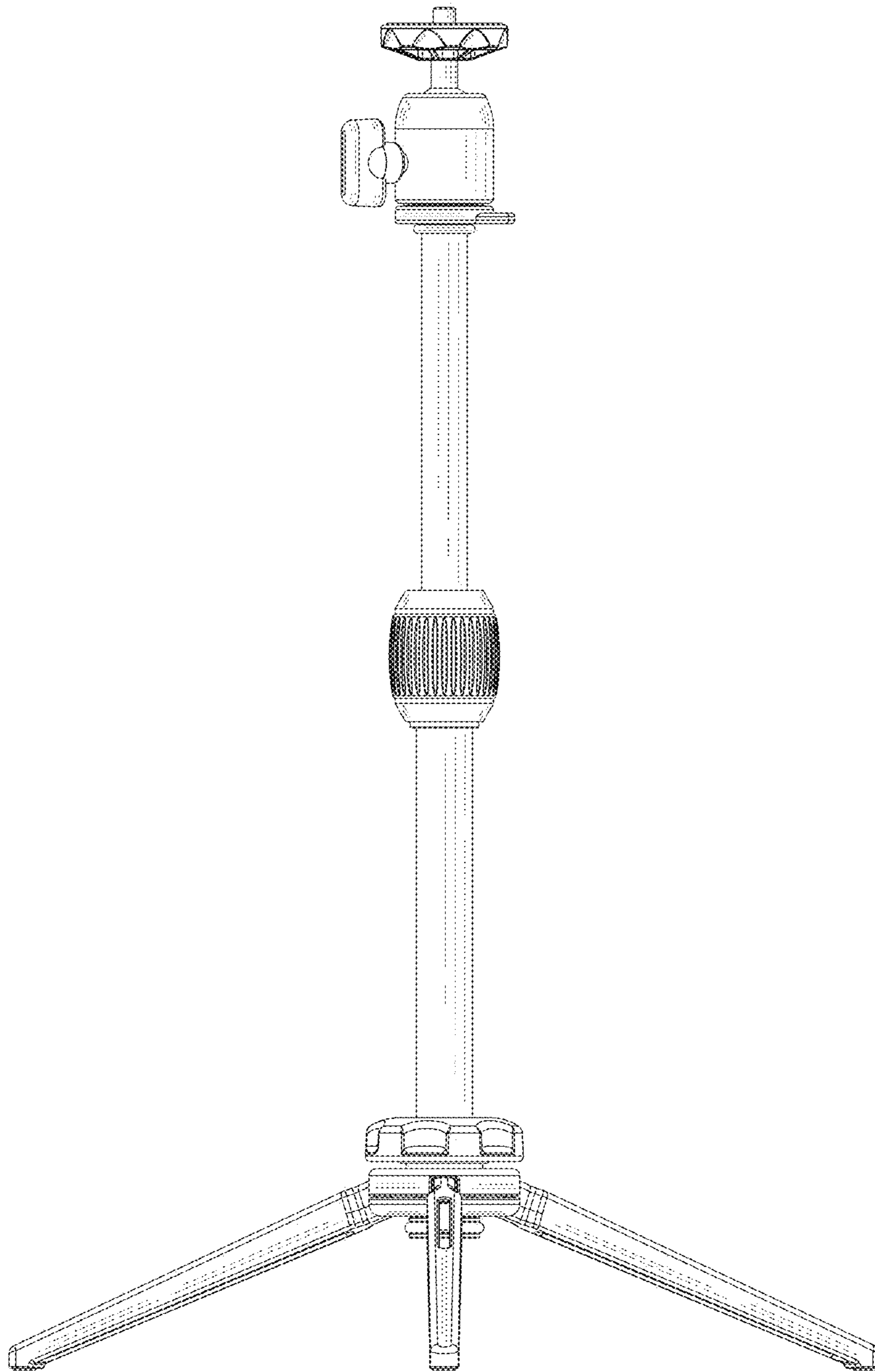


FIG. 1

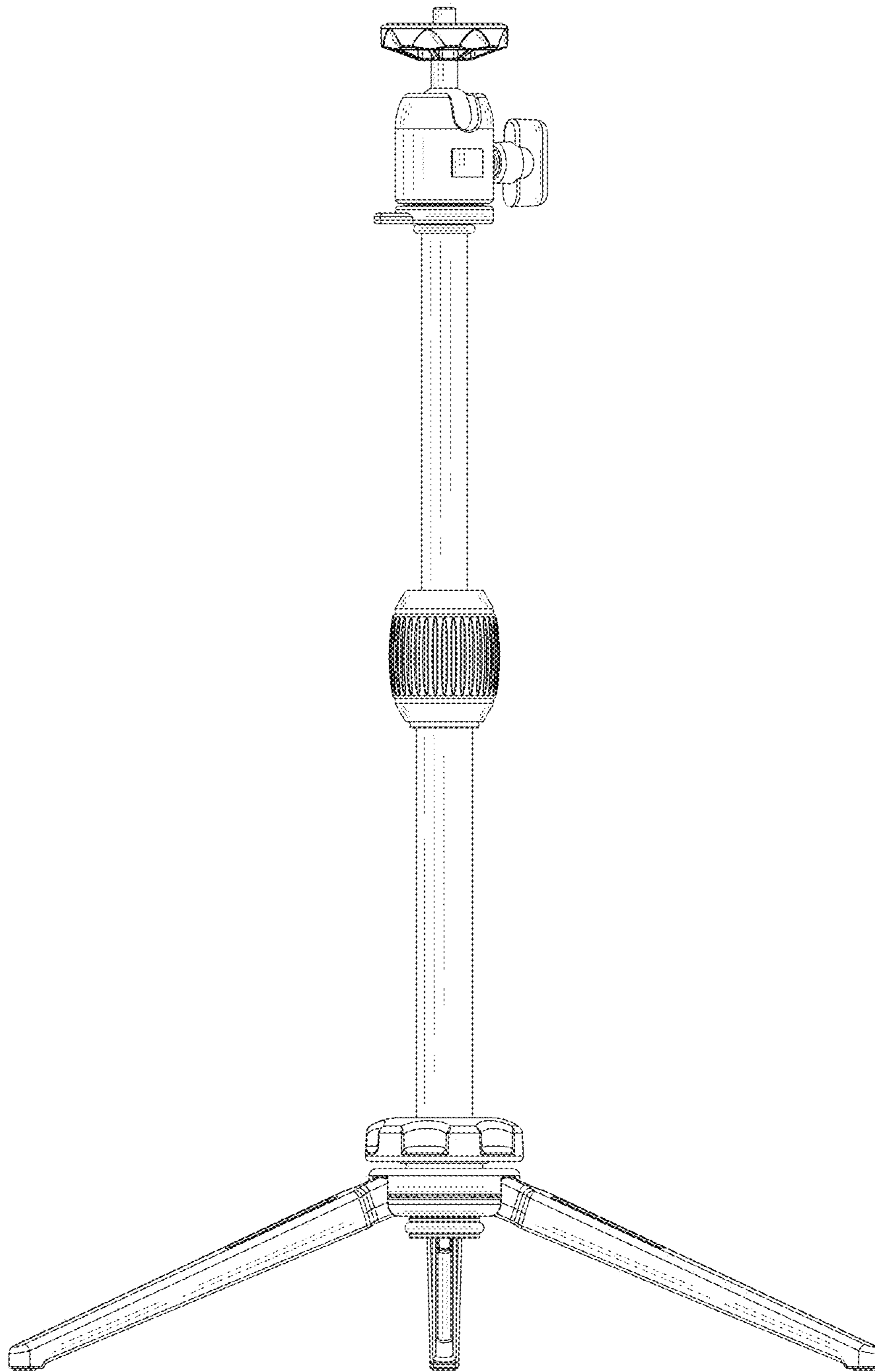


FIG. 2

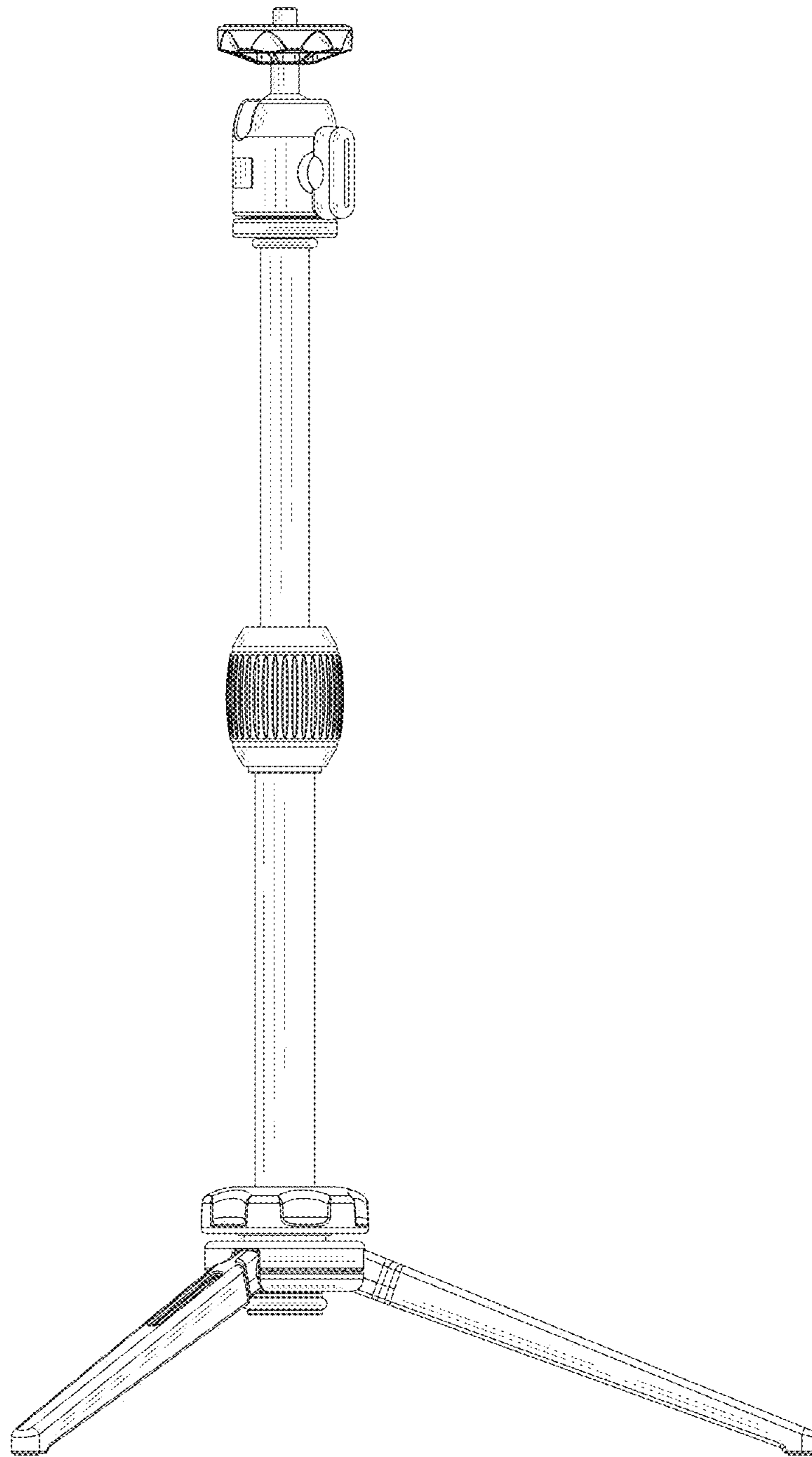


FIG. 3

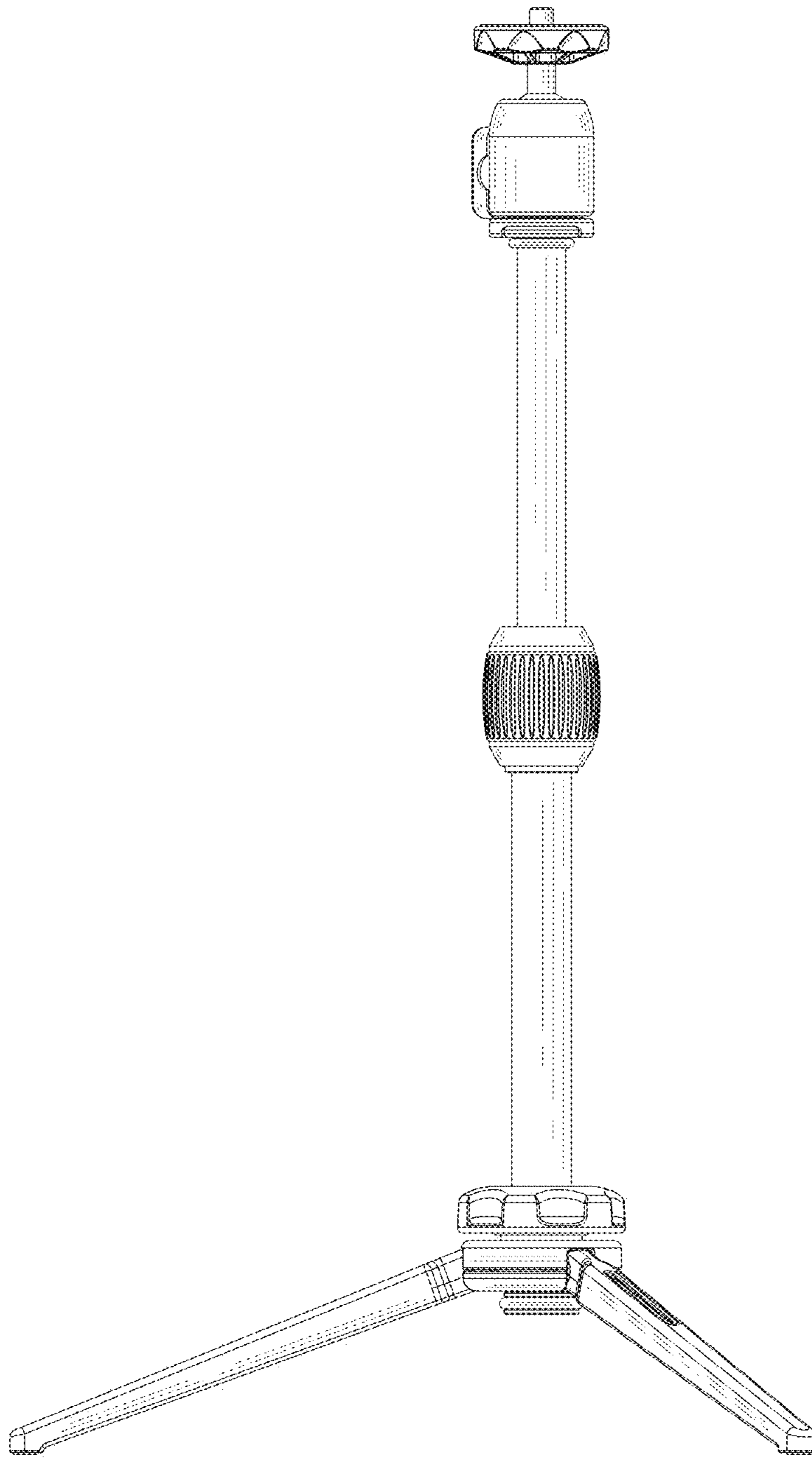


FIG. 4

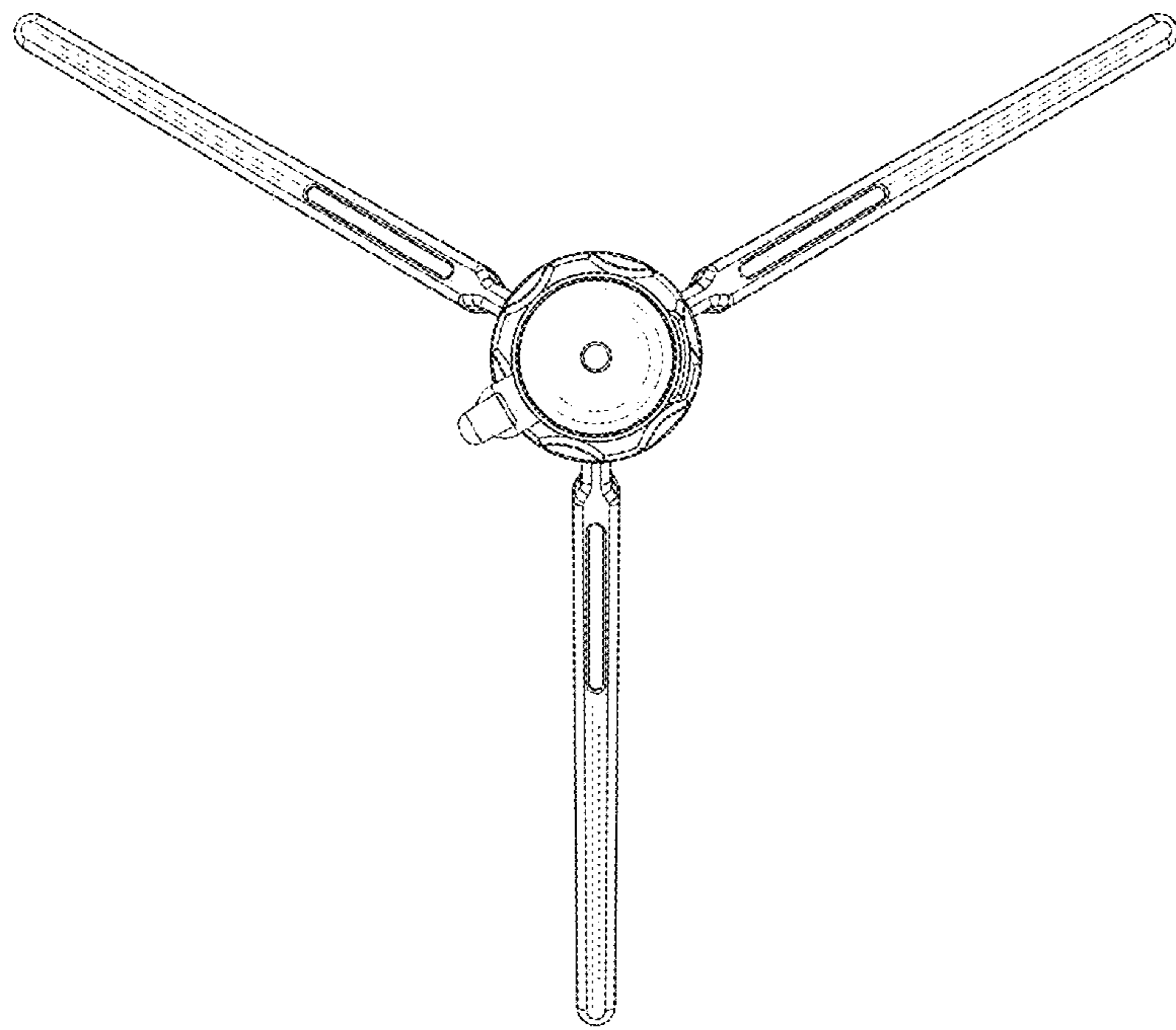


FIG. 5

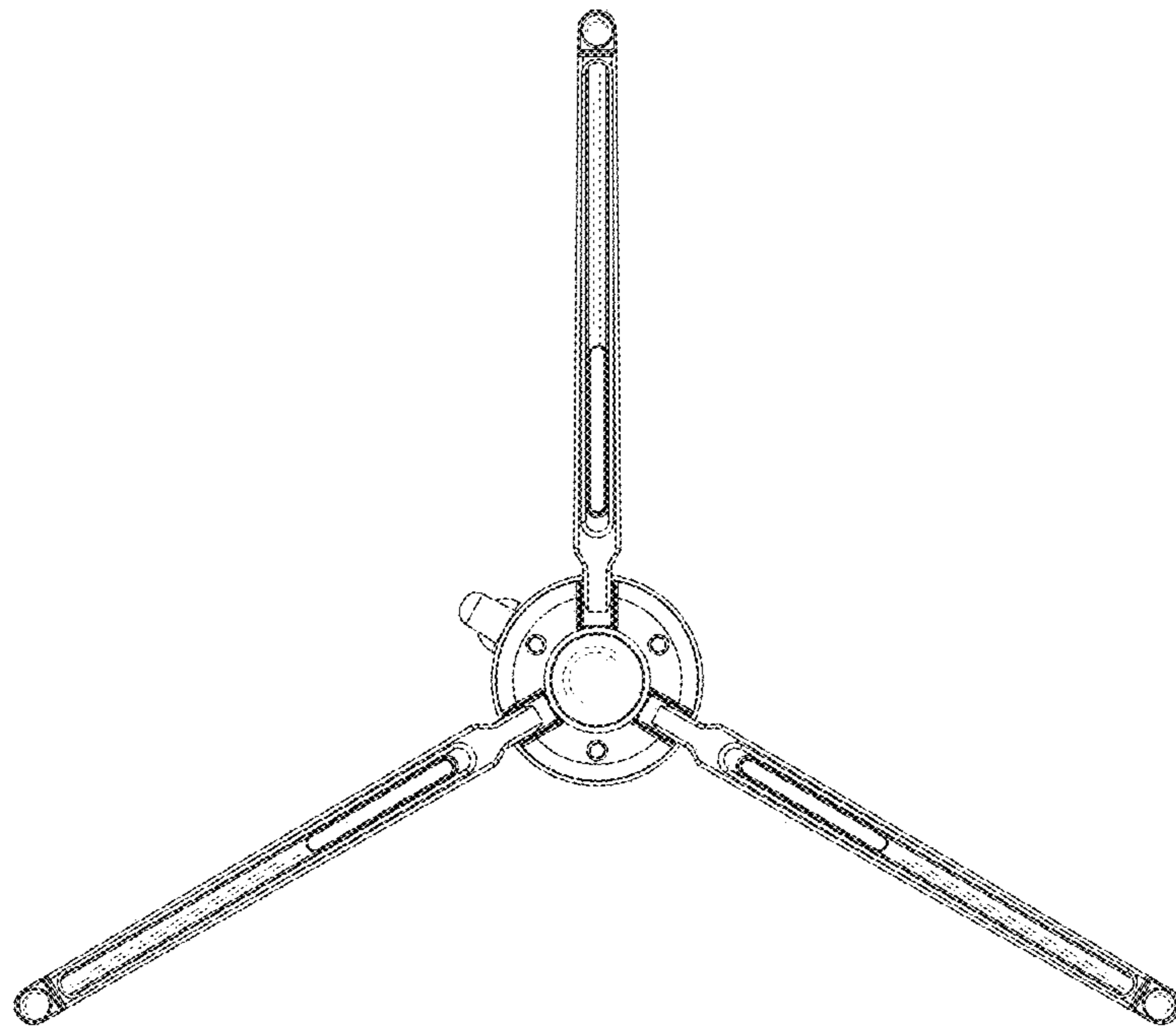


FIG. 6

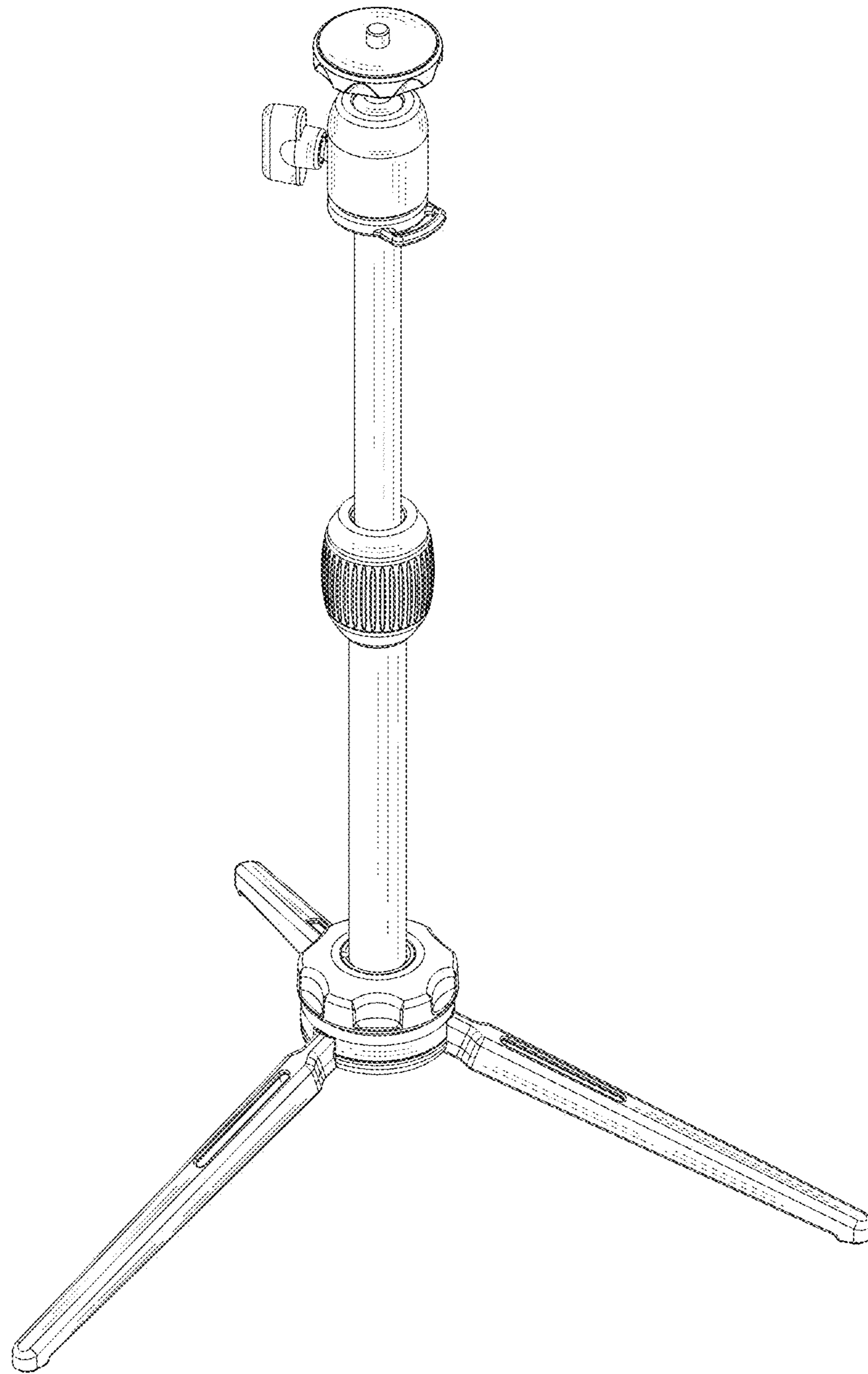


FIG. 7

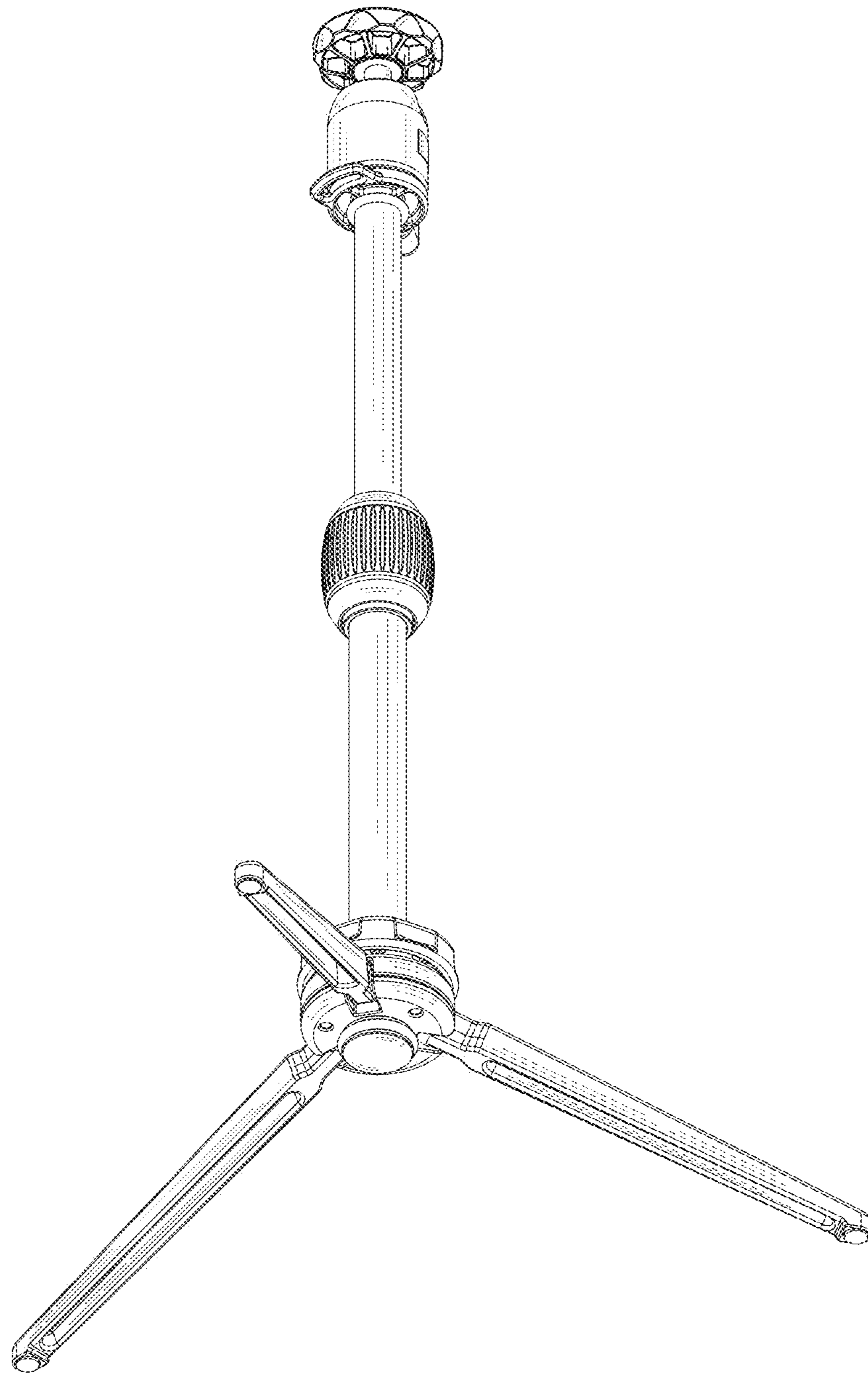


FIG. 8

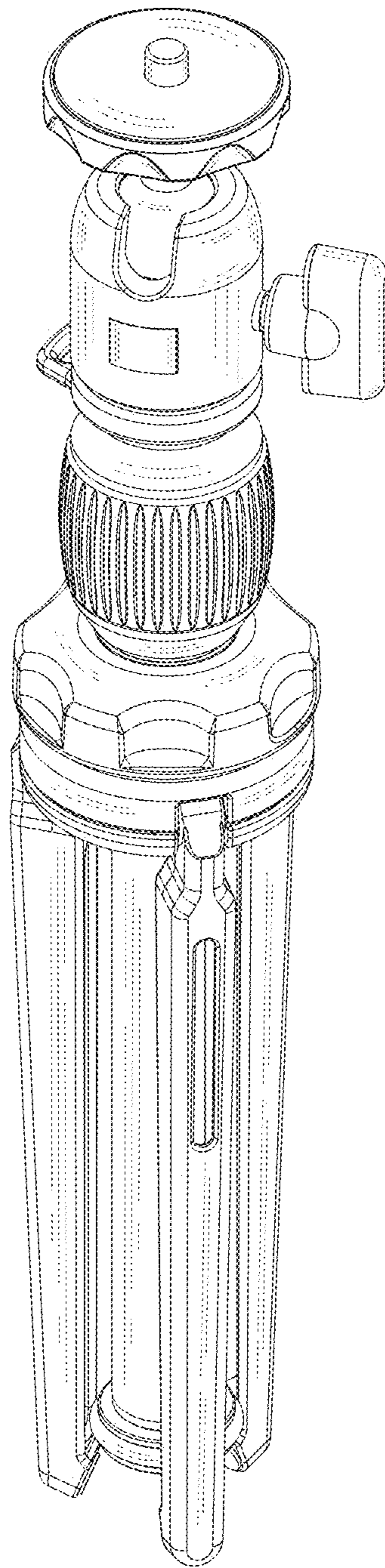


FIG. 9

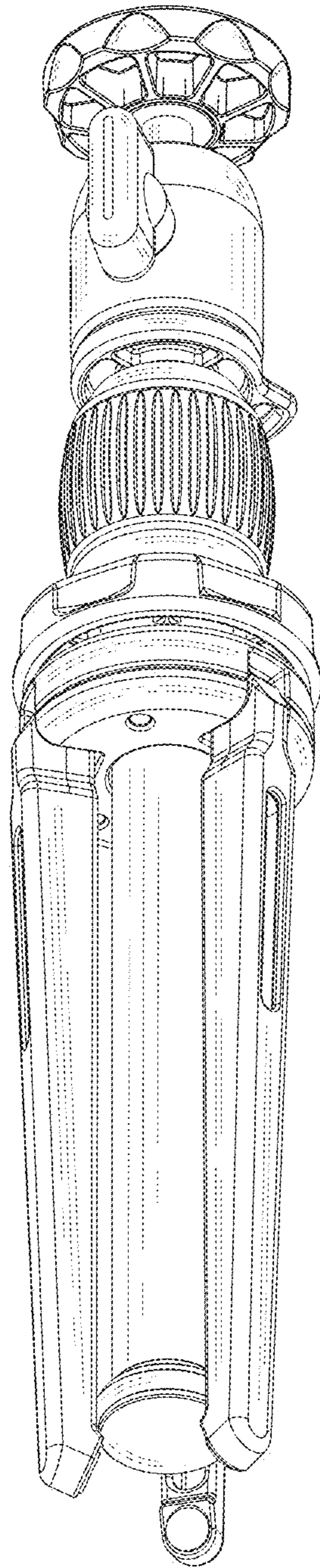


FIG. 10

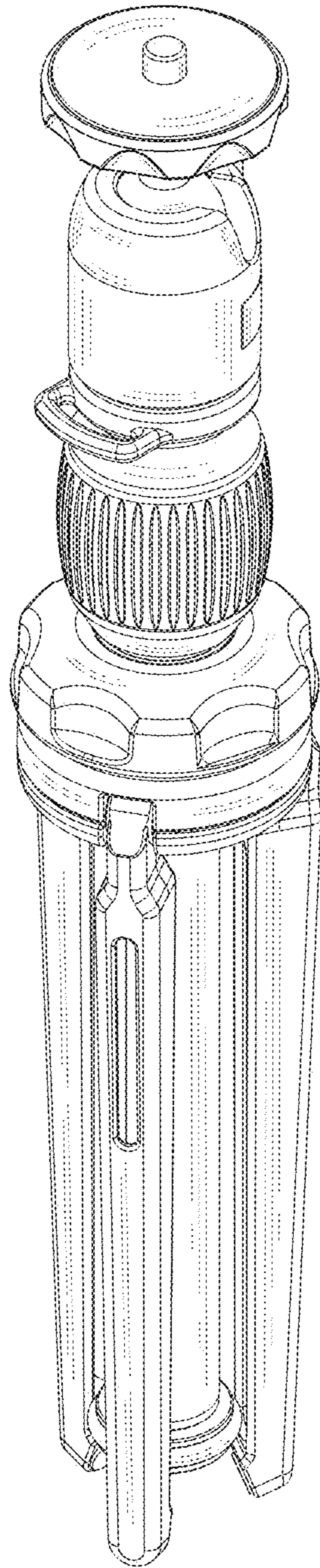


FIG. 11