



US00D985040S

(12) **United States Design Patent**
Peng et al.

(10) **Patent No.:** **US D985,040 S**

(45) **Date of Patent:** **** May 2, 2023**

(54) **TRIPOD**

(71) Applicant: **WINNERS' SUN PLASTIC & ELECTRONIC (SHENZHEN) CO., LTD.**, Shenzhen (CN)

(72) Inventors: **Yi Bing Peng**, Shenzhen (CN); **Jun Zeng**, Shenzhen (CN)

(73) Assignee: **WINNERS' SUN PLASTIC & ELECTRONIC (SHENZHEN) CO., LTD.**, Shenzhen (CN)

(**) Term: **15 Years**

(21) Appl. No.: **29/795,698**

(22) Filed: **Jun. 21, 2021**

(30) **Foreign Application Priority Data**

Mar. 24, 2021 (CN) 202130161739.1

(51) **LOC (14) Cl.** **16-05**

(52) **U.S. Cl.**
USPC **D16/244**

(58) **Field of Classification Search**
USPC D8/349, 363, 373; D16/219, 235, D16/237-245; D26/67, 93, 142, 150
CPC F16M 11/14; F16M 11/16; F16M 11/32; F16M 11/38; G03B 17/561; G03B 17/566; G02B 7/00-002

See application file for complete search history.

(56) **References Cited**

U.S. PATENT DOCUMENTS

D463,877 S * 10/2002 Kung D26/49
D532,436 S * 11/2006 Kruse D16/244
D533,578 S * 12/2006 Oka D16/244
D718,365 S * 11/2014 Kim D16/244

(Continued)

OTHER PUBLICATIONS

Ista360 Mini Tripod, https://www.bhphotovideo.com/c/product/1719903-REG/ista360_cinsaavb_mini_2_in_1_tripod.html. retrieved Dec. 6, 2022 (Year: 2022).*

Primary Examiner — Richard Kearney
Assistant Examiner — Benjamin M Weeks

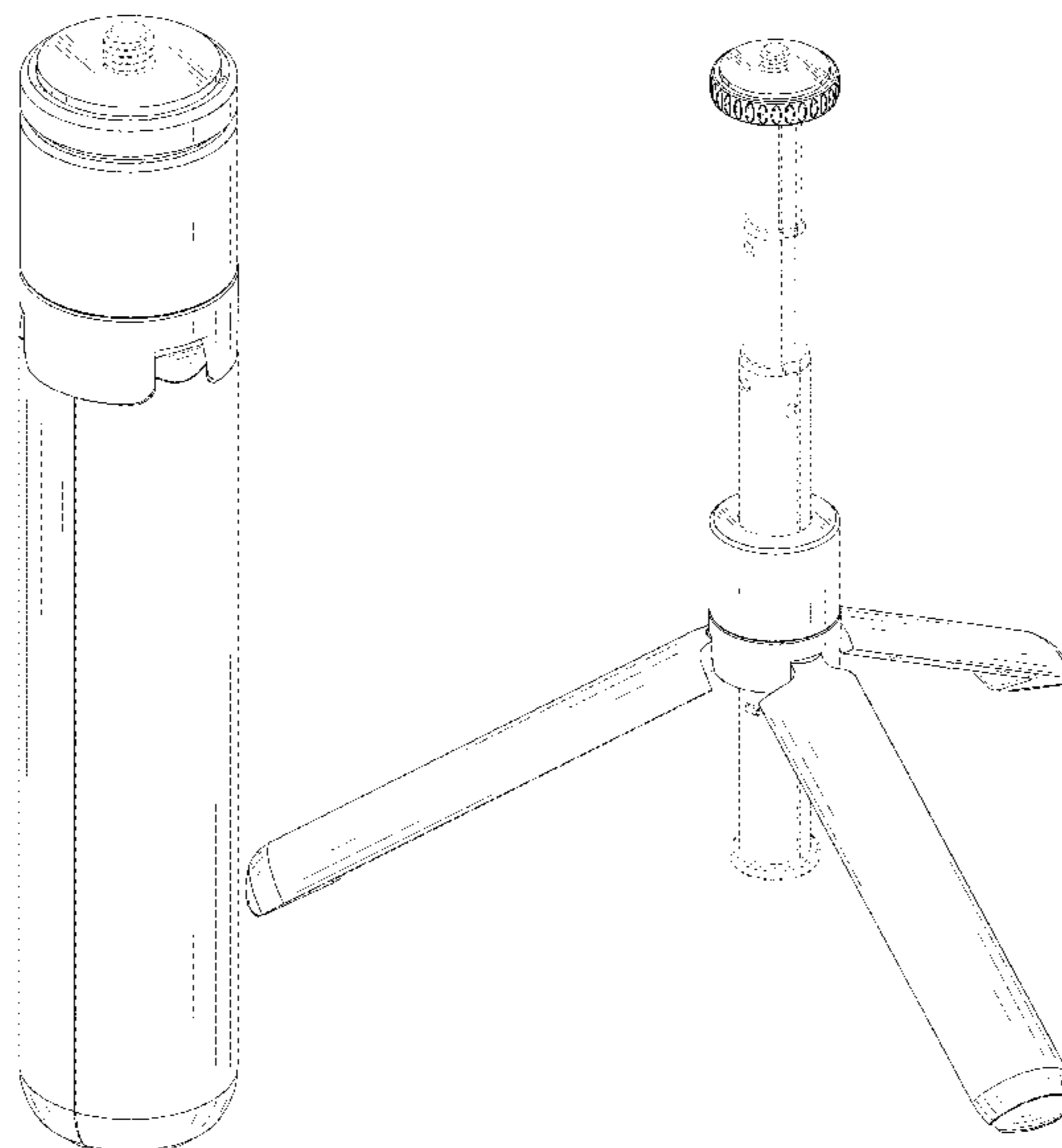
(57) **CLAIM**

The ornamental design for a tripod, as shown and described.

DESCRIPTION

FIG. 1 is a perspective view of a first embodiment of a tripod showing my new design;
FIG. 2 is another perspective view thereof;
FIG. 3 is a front elevational view thereof;
FIG. 4 is a rear elevational view thereof;
FIG. 5 is a left side elevational view thereof;
FIG. 6 is a right side elevational view thereof;
FIG. 7 is a top plan view thereof;
FIG. 8 is a bottom plan view thereof;
FIG. 9 is a perspective view of the tripod where the tripod is in a first configuration of use;
FIG. 10 is a perspective view of the tripod where the tripod is in a second configuration of use;
FIG. 11 is a perspective view of a second embodiment of the tripod showing my new design;
FIG. 12 is another perspective view thereof;
FIG. 13 is a front elevational view thereof;
FIG. 14 is a rear elevational view thereof;
FIG. 15 is a left side elevational view thereof;
FIG. 16 is a right side elevational view thereof;
FIG. 17 is a top plan view thereof;
FIG. 18 is a bottom plan view thereof;
FIG. 19 is a perspective view of the tripod where the tripod is in a first configuration of use; and,
FIG. 20 is a perspective view of the tripod where the tripod is in a second configuration of use.
The broken lines in the drawings depict portions of the tripod that form no part of the claimed design.

1 Claim, 20 Drawing Sheets



(56)

References Cited

U.S. PATENT DOCUMENTS

D800,206 S * 10/2017 Moon D16/244
D822,092 S * 7/2018 Bergman F16M 11/041
D16/244
D836,703 S * 12/2018 Song D16/244
D882,672 S * 4/2020 Xia D16/243
D908,274 S * 1/2021 Wang D26/63
D922,471 S * 6/2021 Li D16/244
D955,466 S * 6/2022 Wada D16/244
D969,202 S * 11/2022 Li D16/244
2020/0371410 A1* 11/2020 Shan F16M 13/00
2021/0294186 A1* 9/2021 Zou F16M 11/242
2022/0221102 A1* 7/2022 Yang G03B 15/00

* cited by examiner

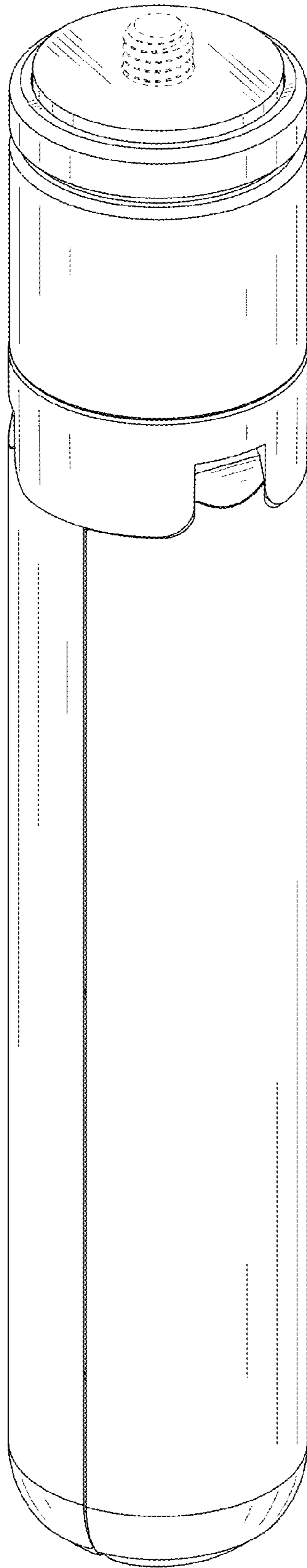


FIG. 1

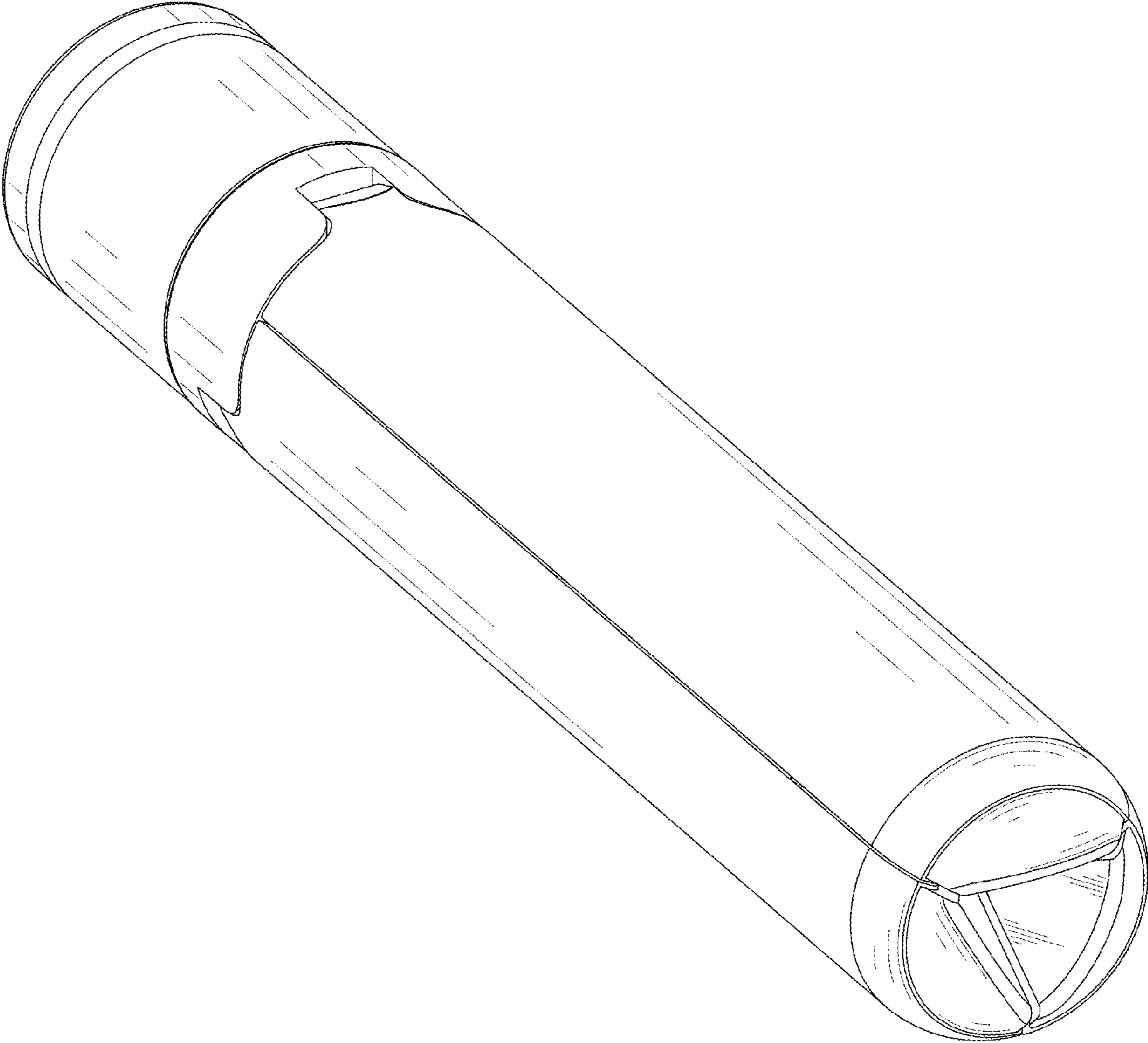


FIG. 2

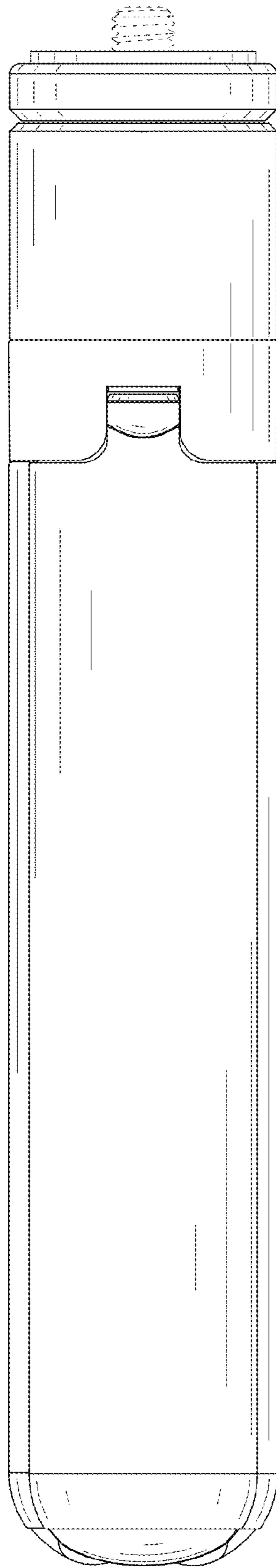


FIG. 3

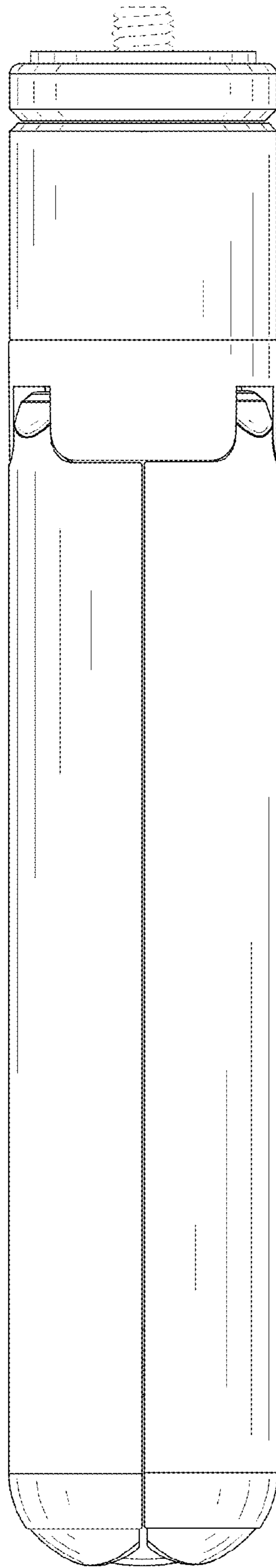


FIG. 4

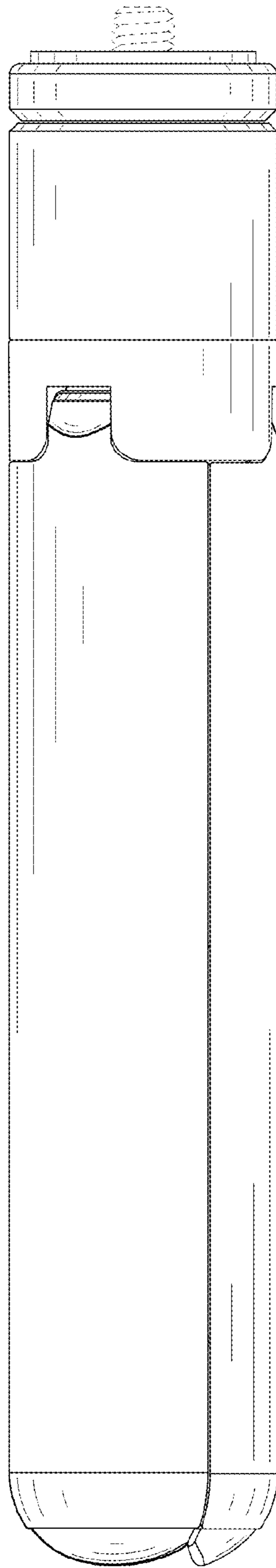


FIG. 5

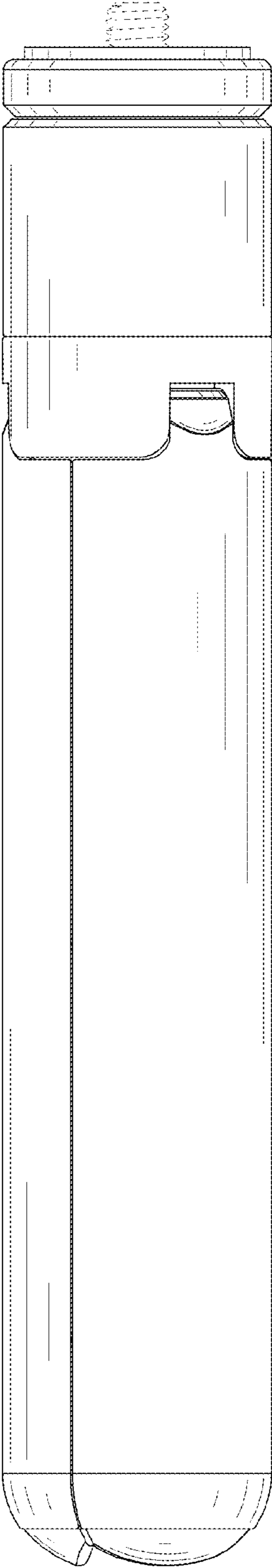


FIG. 6

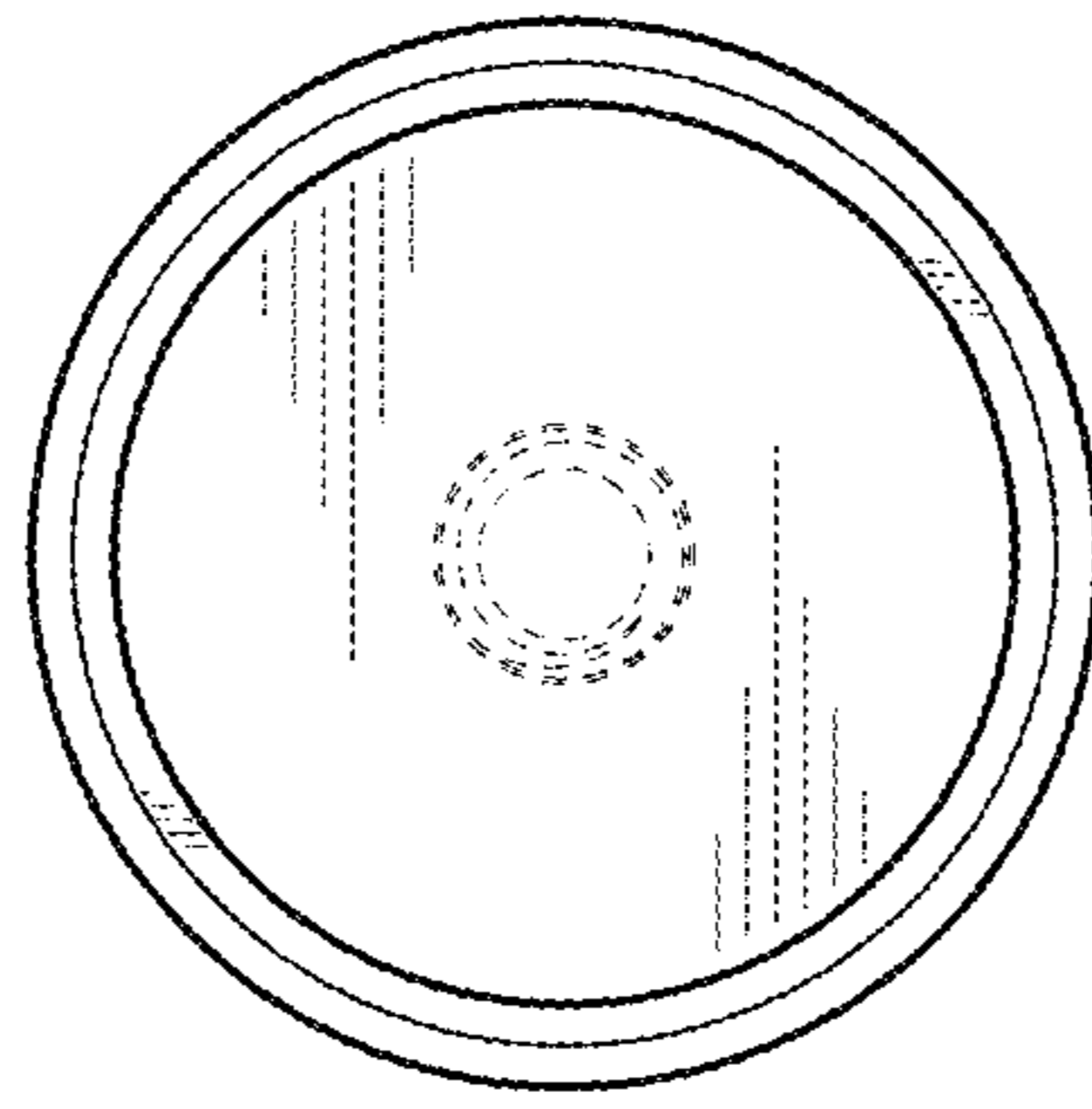


FIG. 7

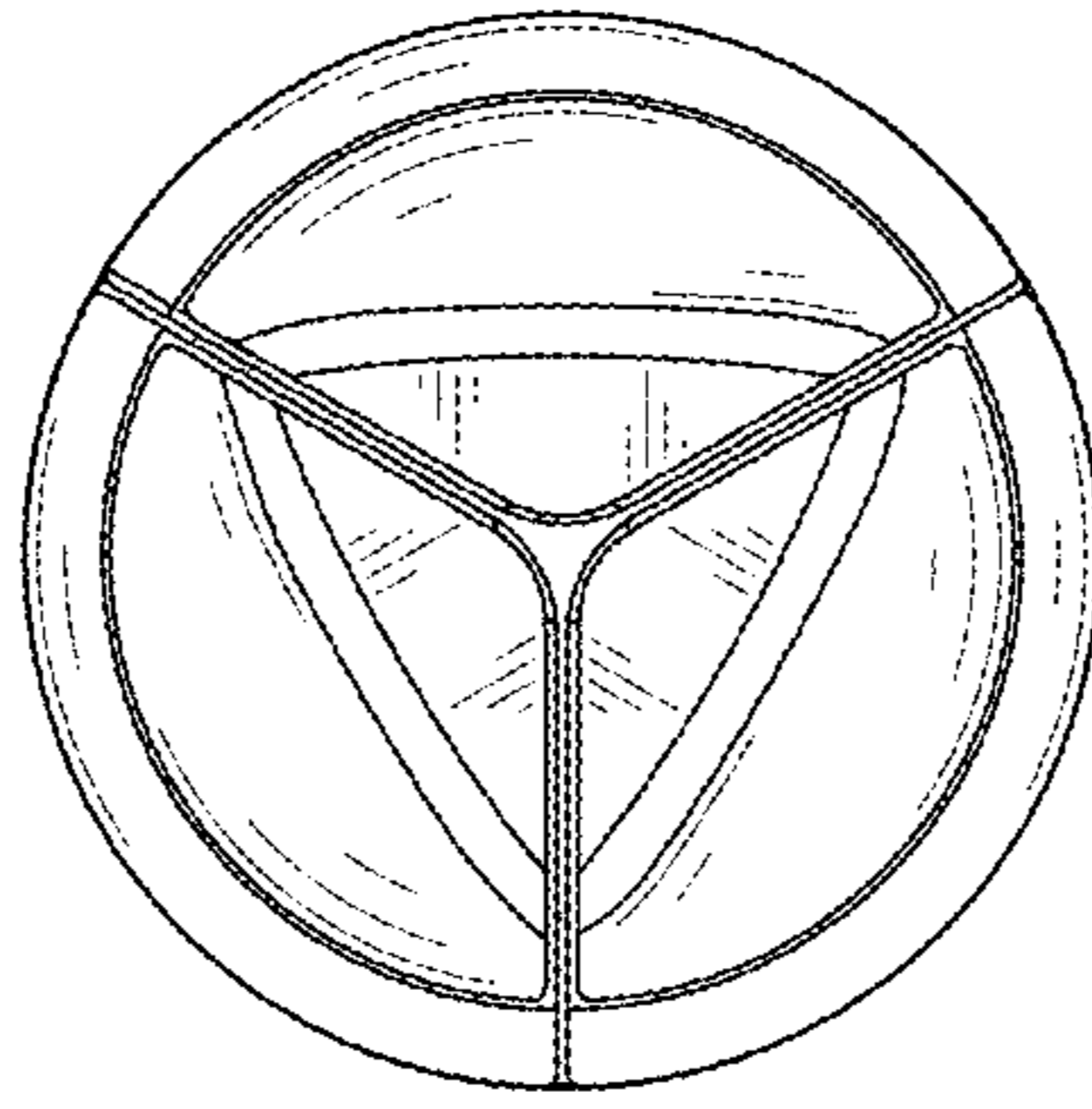


FIG. 8

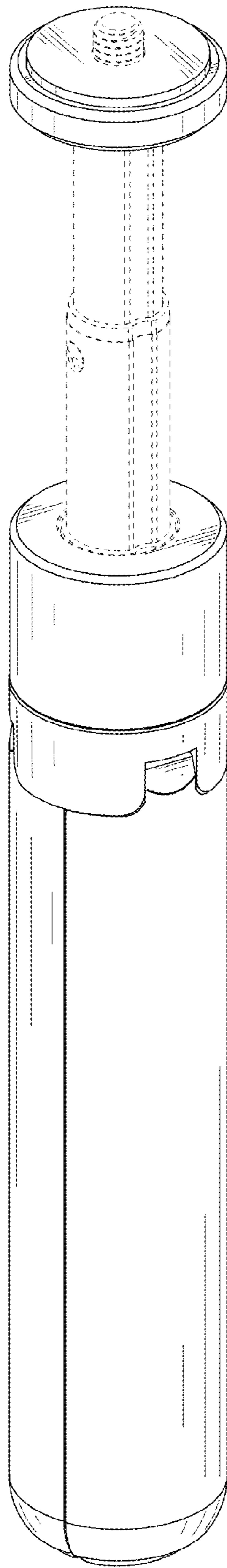


FIG. 9

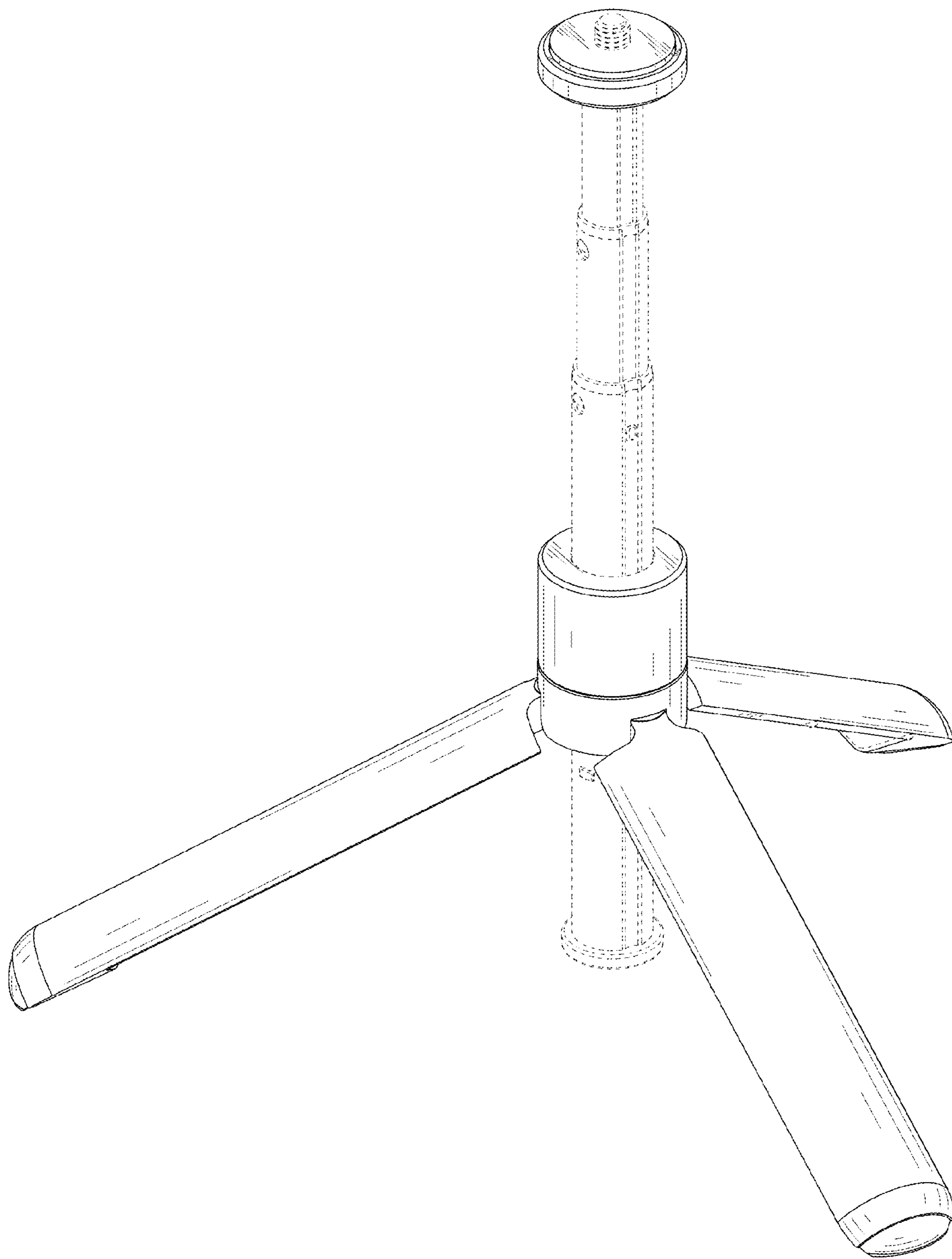


FIG. 10

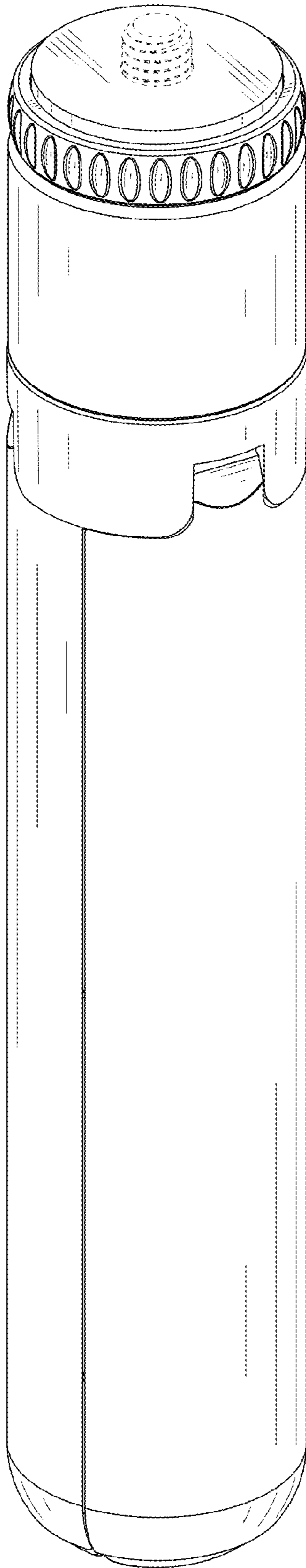


FIG. 11

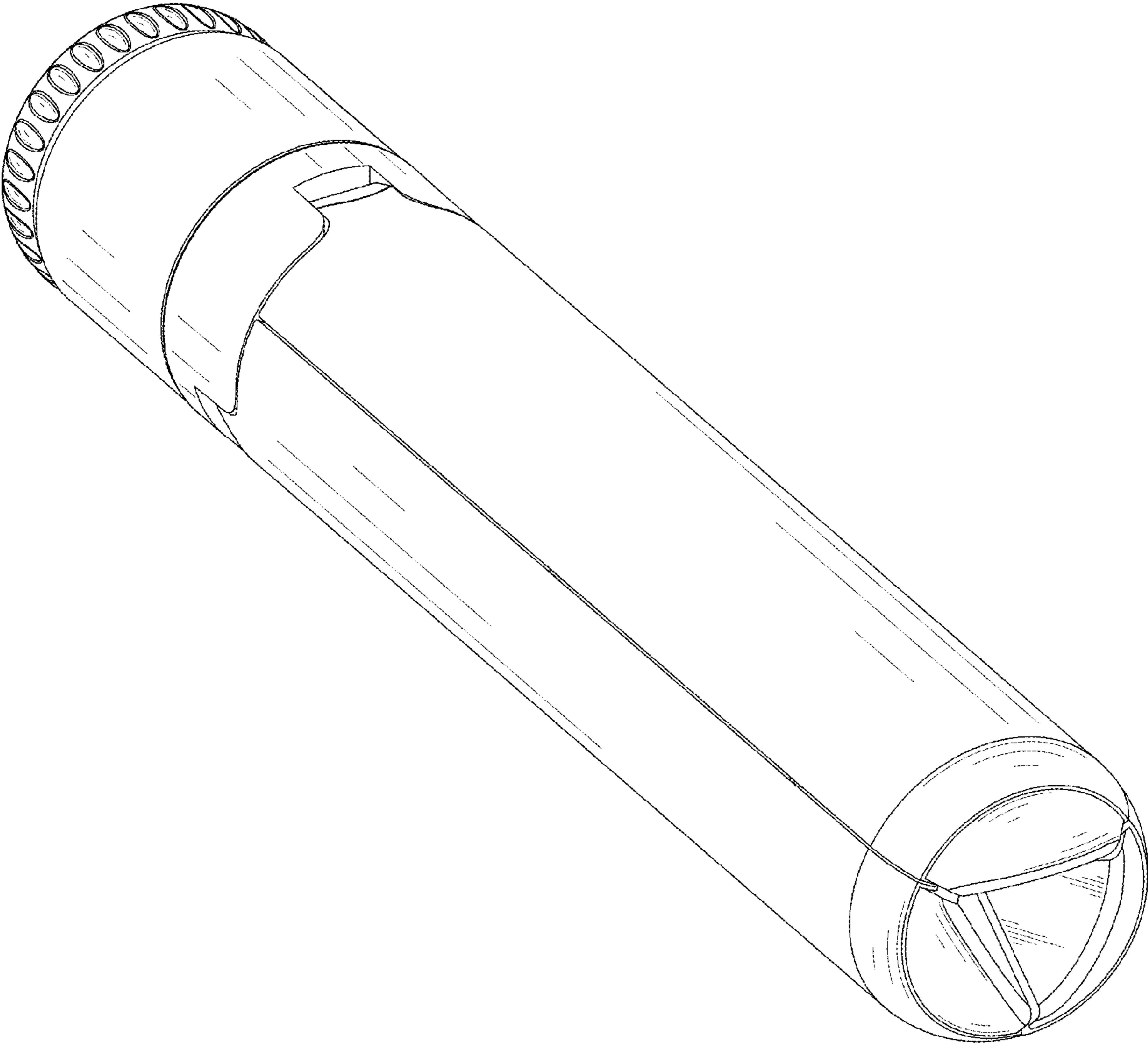


FIG. 12

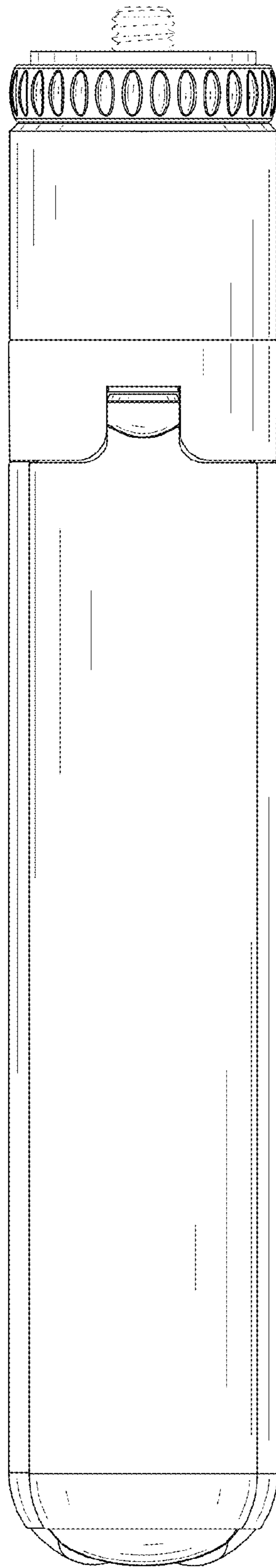


FIG. 13

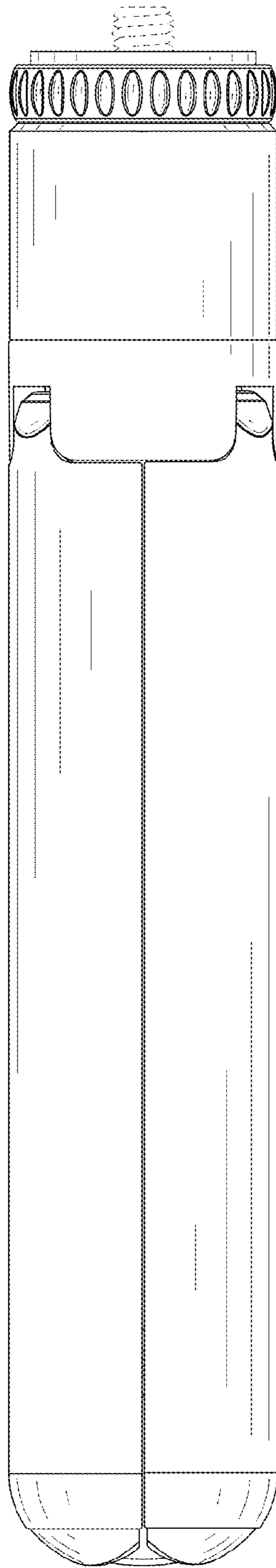


FIG. 14

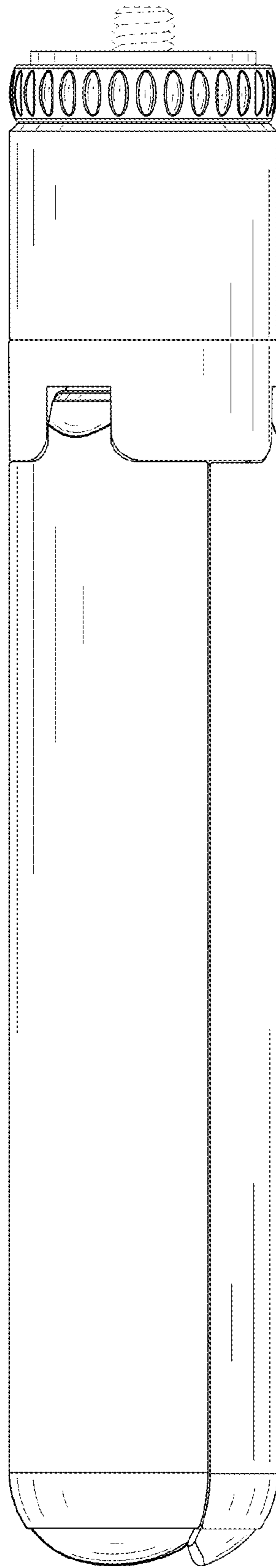


FIG. 15

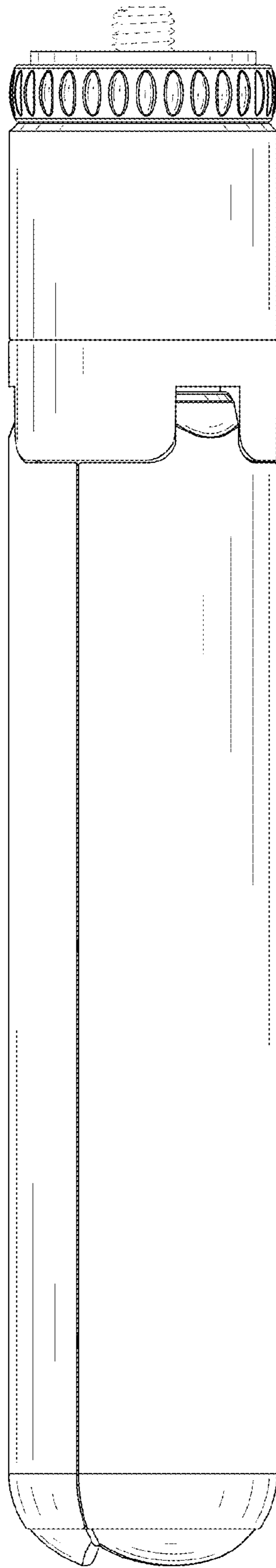


FIG. 16

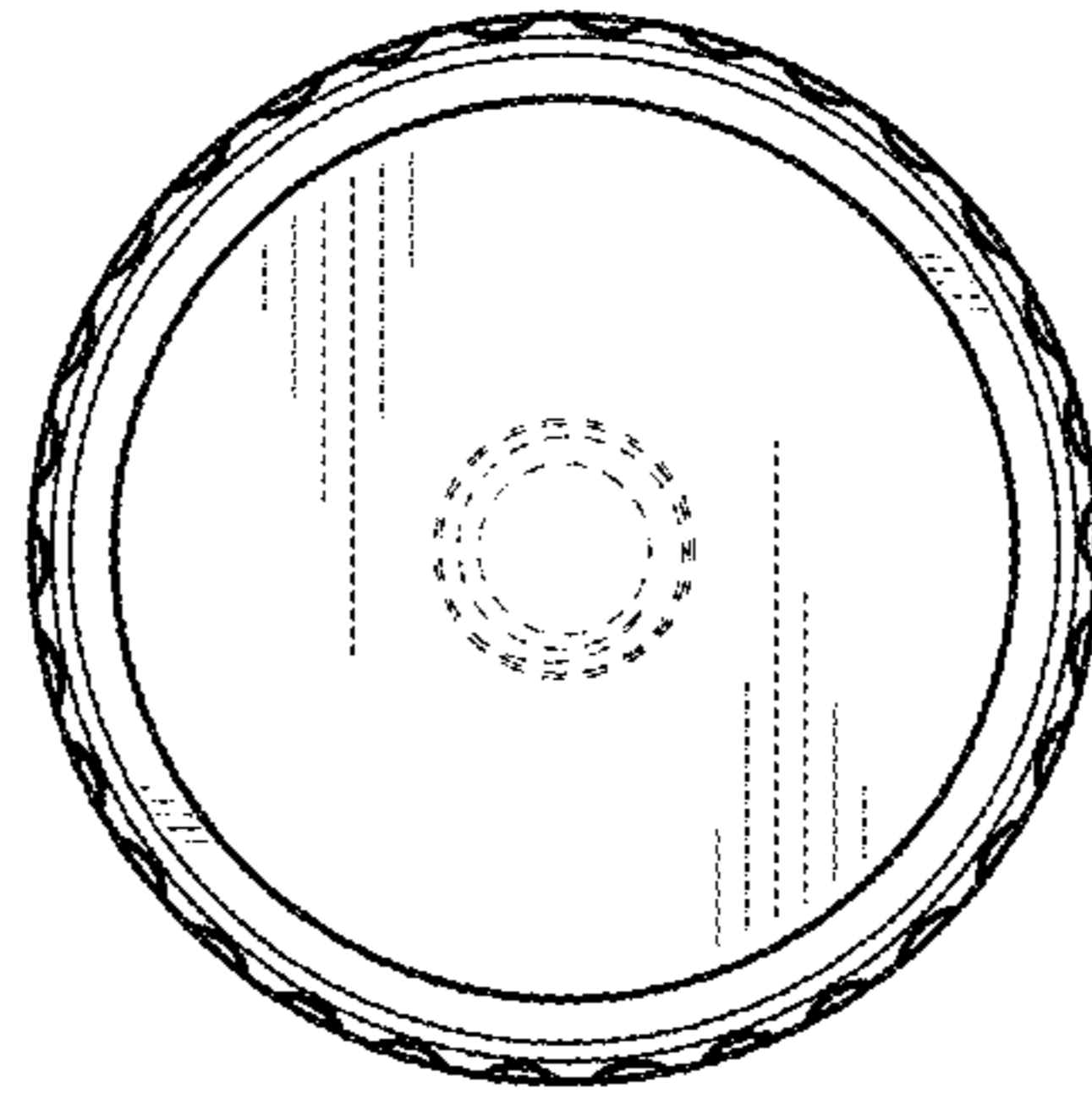


FIG. 17

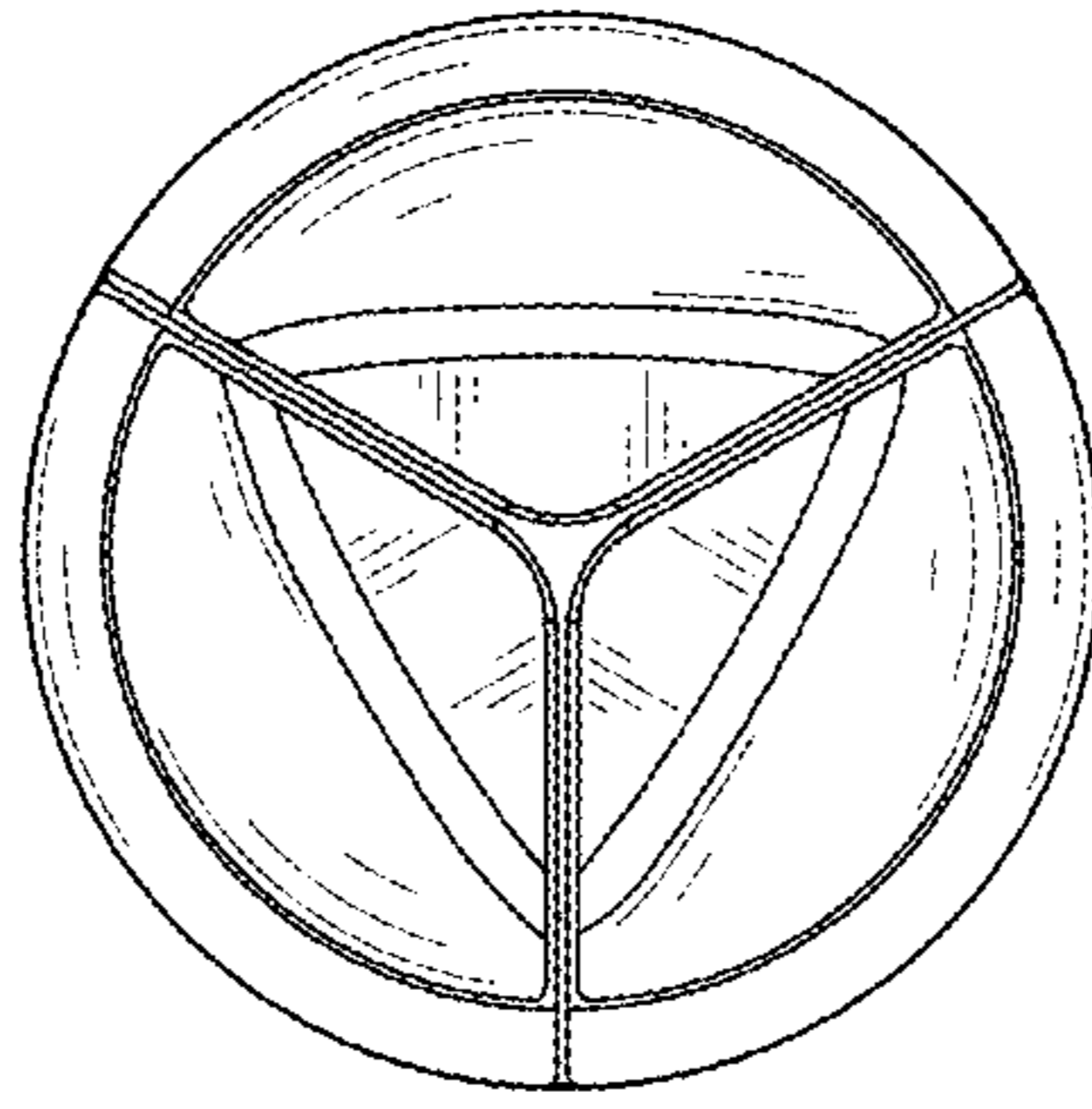


FIG. 18

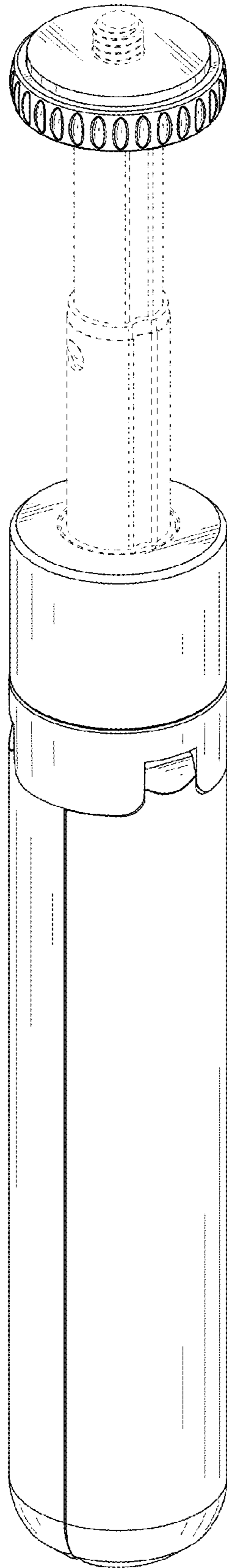


FIG. 19

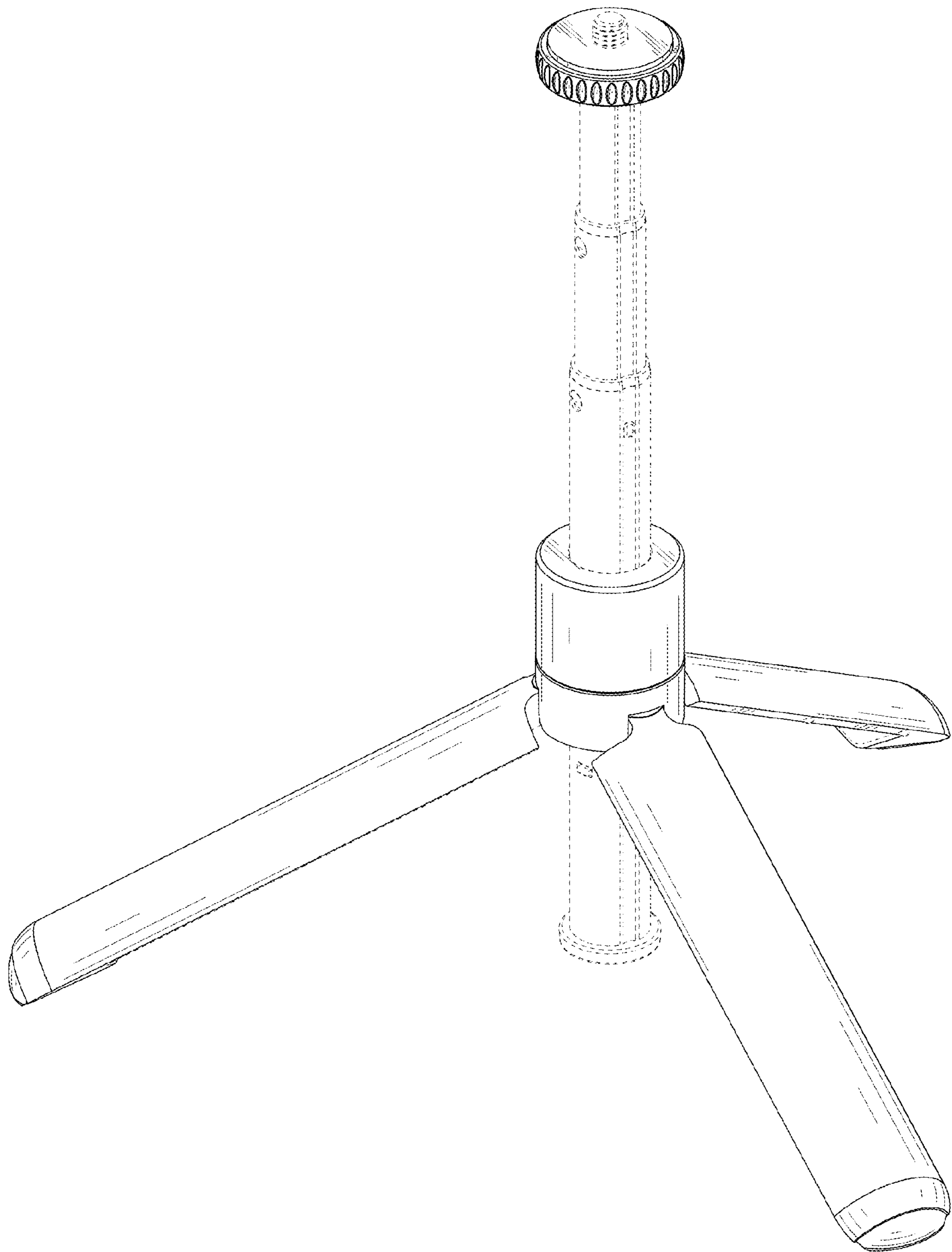


FIG. 20