



US00D985039S

(12) **United States Design Patent**
Zhang

(10) **Patent No.:** **US D985,039 S**

(45) **Date of Patent:** **** May 2, 2023**

(54) **MONITORING CAMERA**

(71) Applicant: **Shenzhen Junan Technology Co., Ltd.**, Shenzhen (CN)

(72) Inventor: **Zuwen Zhang**, Shenzhen (CN)

(73) Assignee: **SHENZHEN JUNAN TECHNOLOGY CO., LTD.**, Shenzhen (CN)

(**) Term: **15 Years**

(21) Appl. No.: **29/772,087**

(22) Filed: **Feb. 26, 2021**

(30) **Foreign Application Priority Data**

Feb. 22, 2021 (CN) 202130100847.8

(51) **LOC (14) Cl.** **16-01**

(52) **U.S. Cl.**
USPC **D16/203**

(58) **Field of Classification Search**
USPC D16/200–204, 207–208, 218–219;
D10/61, 63, 65, 70, 71, 104.1, 106.7;
D14/203.1, 204, 209.1, 496, 497
CPC G03B 15/03; G03B 17/02; G03B 17/04;
G03B 17/56; G03B 19/04; H04N 7/148;
H04N 2101/00

See application file for complete search history.

(56) **References Cited**

U.S. PATENT DOCUMENTS

D794,694 S * 8/2017 Liu D16/203
D810,168 S * 2/2018 Shi D16/202
D836,147 S * 12/2018 Rao D16/202
D871,483 S * 12/2019 Chang D16/208
D894,775 S * 9/2020 Yu D10/118.2
D894,994 S * 9/2020 Yu D16/218
D906,398 S * 12/2020 Wang D16/208
D906,399 S * 12/2020 Wang D16/218

D916,166 S * 4/2021 Li D16/203
D921,086 S * 6/2021 Li D16/203
D935,507 S * 11/2021 Li D16/203
D939,009 S * 12/2021 Pankov D16/208

(Continued)

FOREIGN PATENT DOCUMENTS

CN 305726072 * 4/2020
GB 6121887 * 3/2021

OTHER PUBLICATIONS

“Heimvision HMD2 Wireless Rechargeable Battery Security Camera” from Heimvision.com, first retrieved Feb. 19, 2023 from the internet <<https://www.heimvision.com/products/heimvision-hmd2-wireless-rechargeable-battery-security-camera>> (Year: 2023).*

(Continued)

Primary Examiner — Elizabeth J Oswecki
Assistant Examiner — Lacey Chey Bowman
(74) *Attorney, Agent, or Firm* — Chun-Ming Shih;
Lanway IPR Services

(57) **CLAIM**

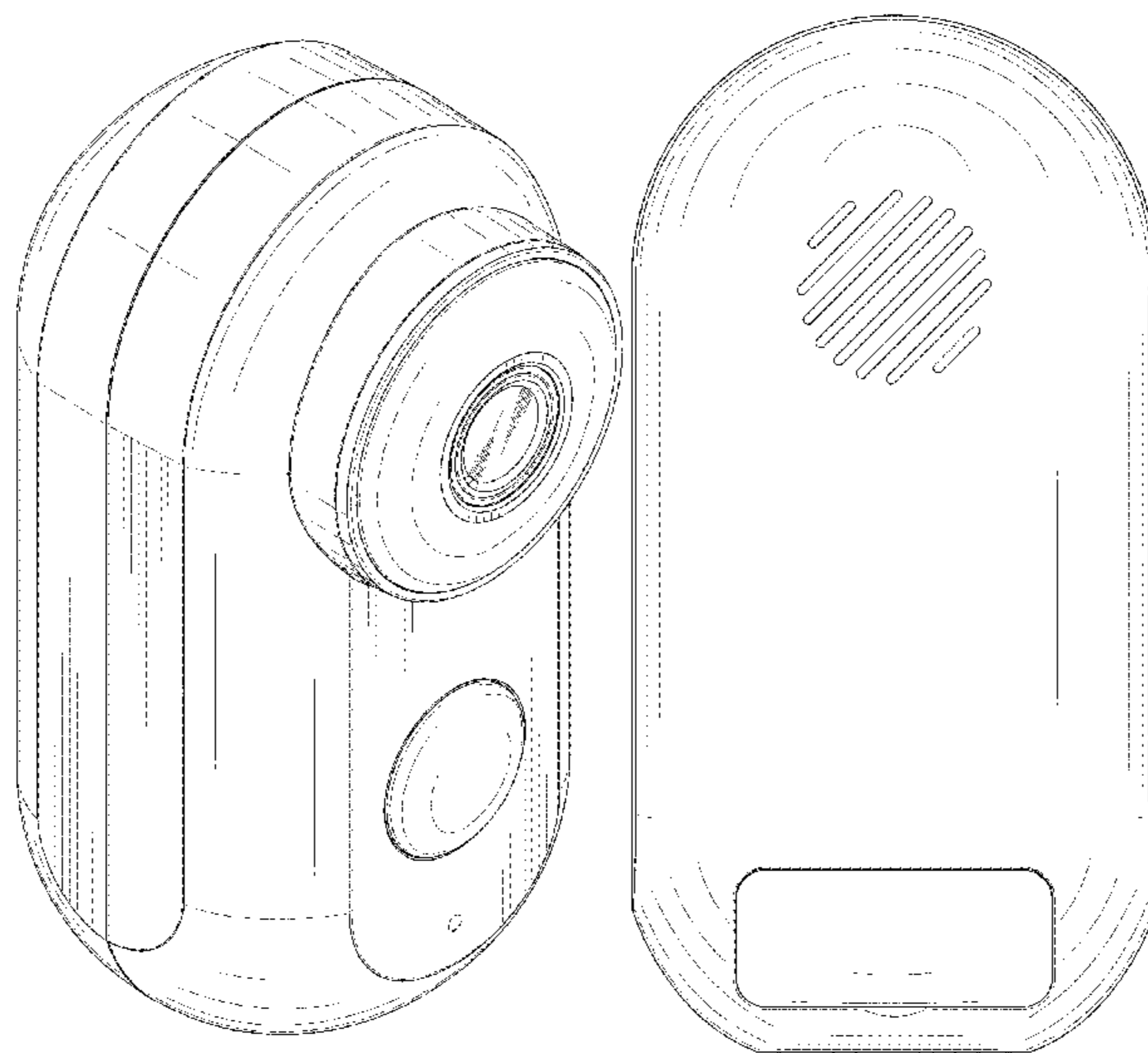
The ornamental design for a monitoring camera, as shown and described.

DESCRIPTION

FIG. 1 is a perspective view of a monitoring camera showing my new design;
FIG. 2 is a front elevational view thereof;
FIG. 3 is a rear elevational view thereof;
FIG. 4 is a left side elevational view thereof;
FIG. 5 is a right side elevational view thereof;
FIG. 6 is a top view thereof; and,
FIG. 7 is a bottom view thereof.

The broken lines shown in the drawings are included for the purpose of illustrating portions of the monitoring camera that form no part of the claimed design.

1 Claim, 7 Drawing Sheets



(56)

References Cited

U.S. PATENT DOCUMENTS

D940,781	S	*	1/2022	Huang	D16/219
D944,308	S	*	2/2022	Li	D16/203
D953,405	S	*	5/2022	Li	D16/203
D954,127	S	*	6/2022	Liu	D16/203
D971,290	S	*	11/2022	Wang	D16/203
D976,862	S	*	1/2023	Herbst	D14/204

OTHER PUBLICATIONS

“Zumimall 2K Security Camera Outdoor, FHD Battery Powered Wireless Camera with Siren, Outdoor & Indoor Rechargeable Surveillance Camera for Home Security, Night Vision, Motion Detection, 2.4G WiFi” from Amazon.com, first available Jan. 21, 2019 from the internet <<https://www.amazon.com/Wireless-Rechargeable-Detection-Waterproof-compatible/dp/B07PM2NBGT/>> (Year: 2019).*

* cited by examiner

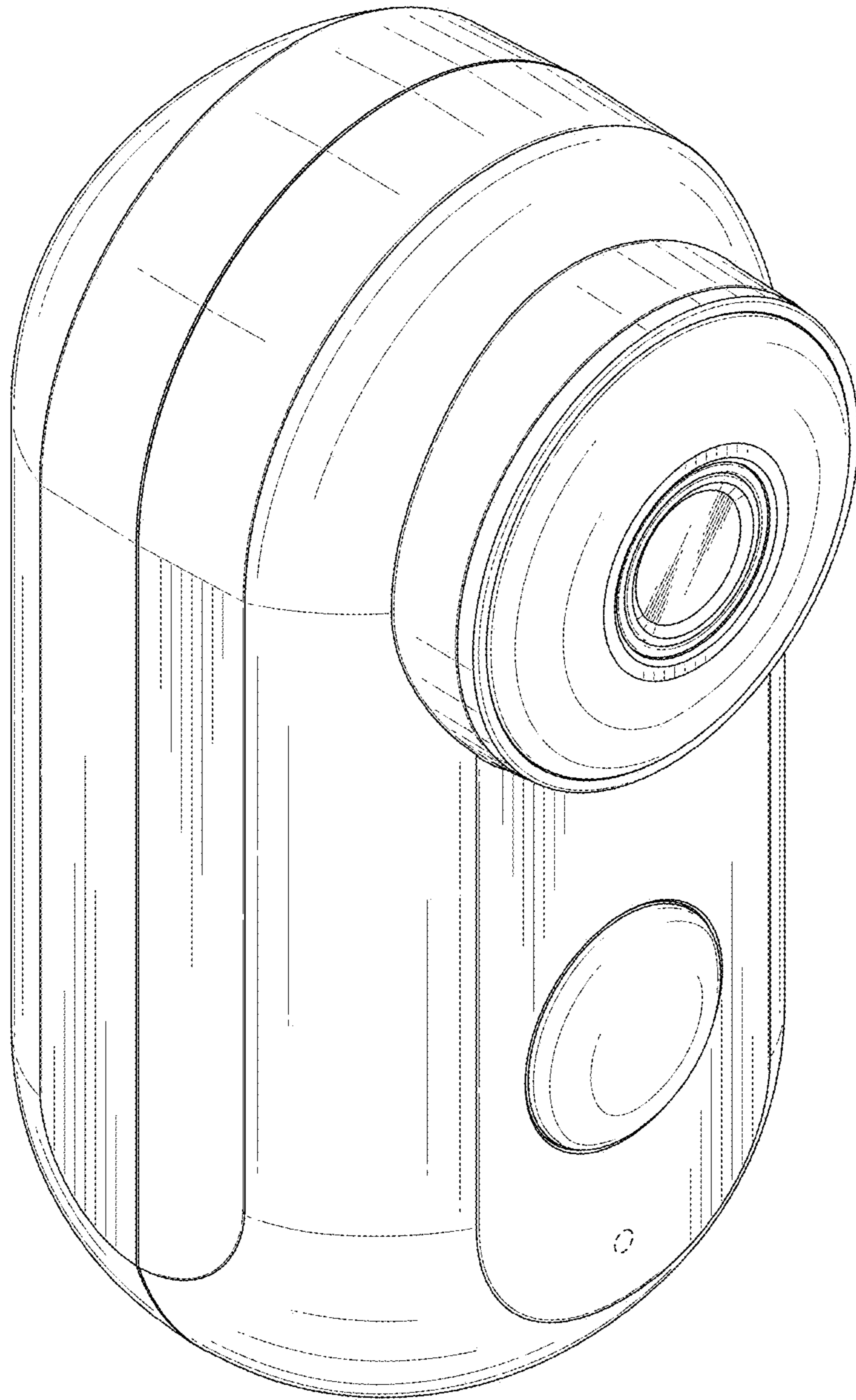


FIG.1

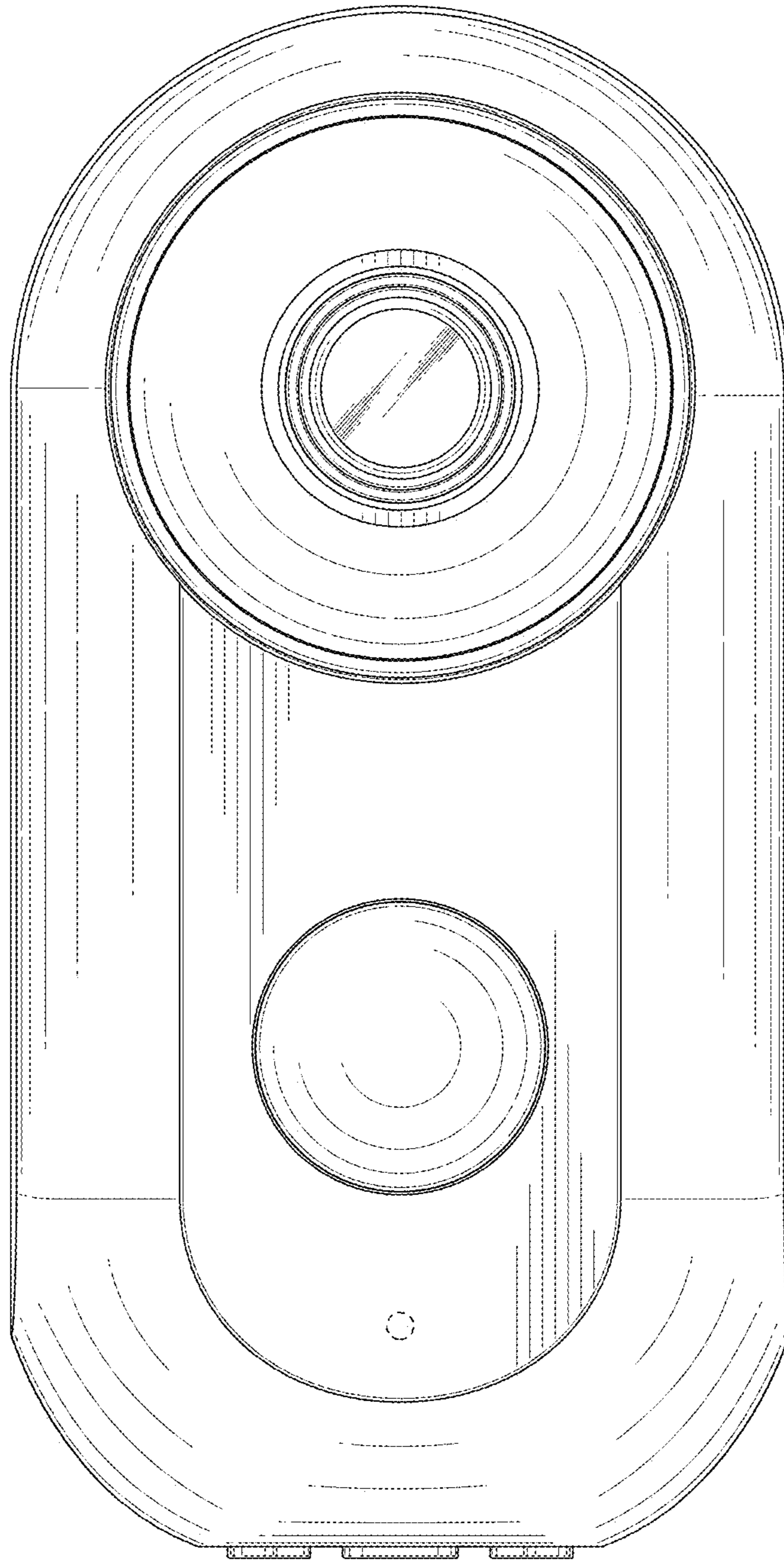


FIG.2

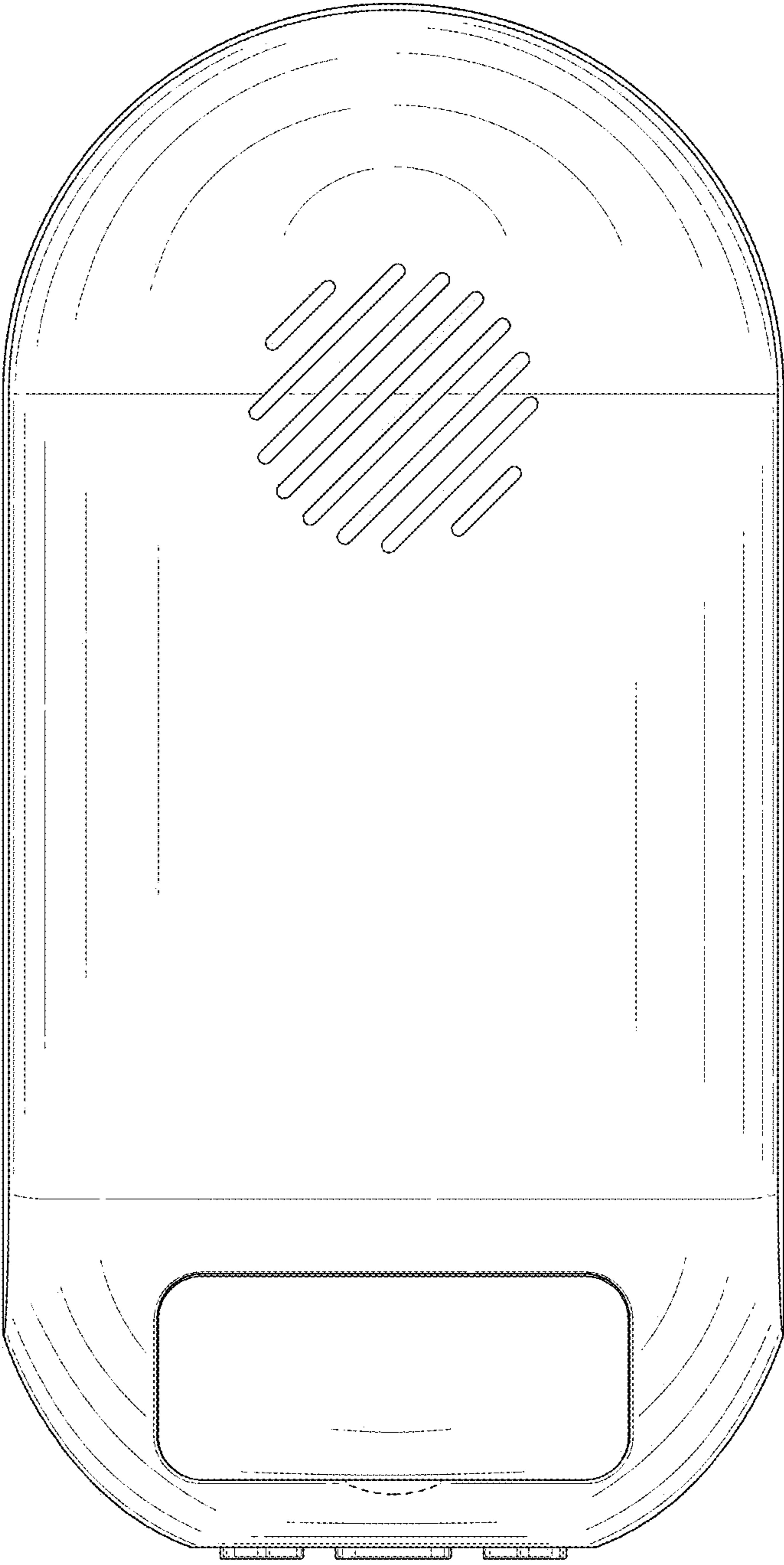


FIG.3

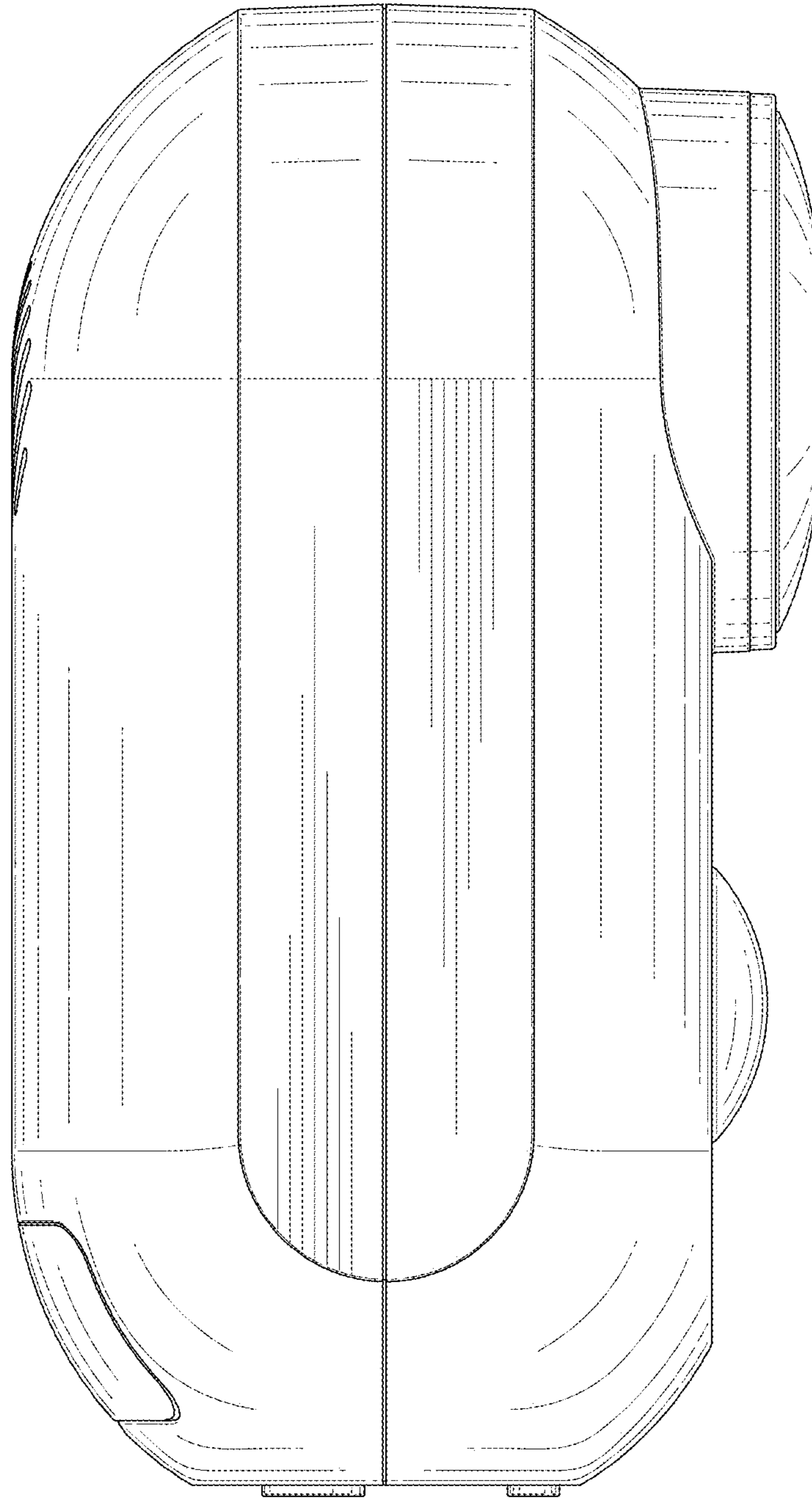


FIG.4

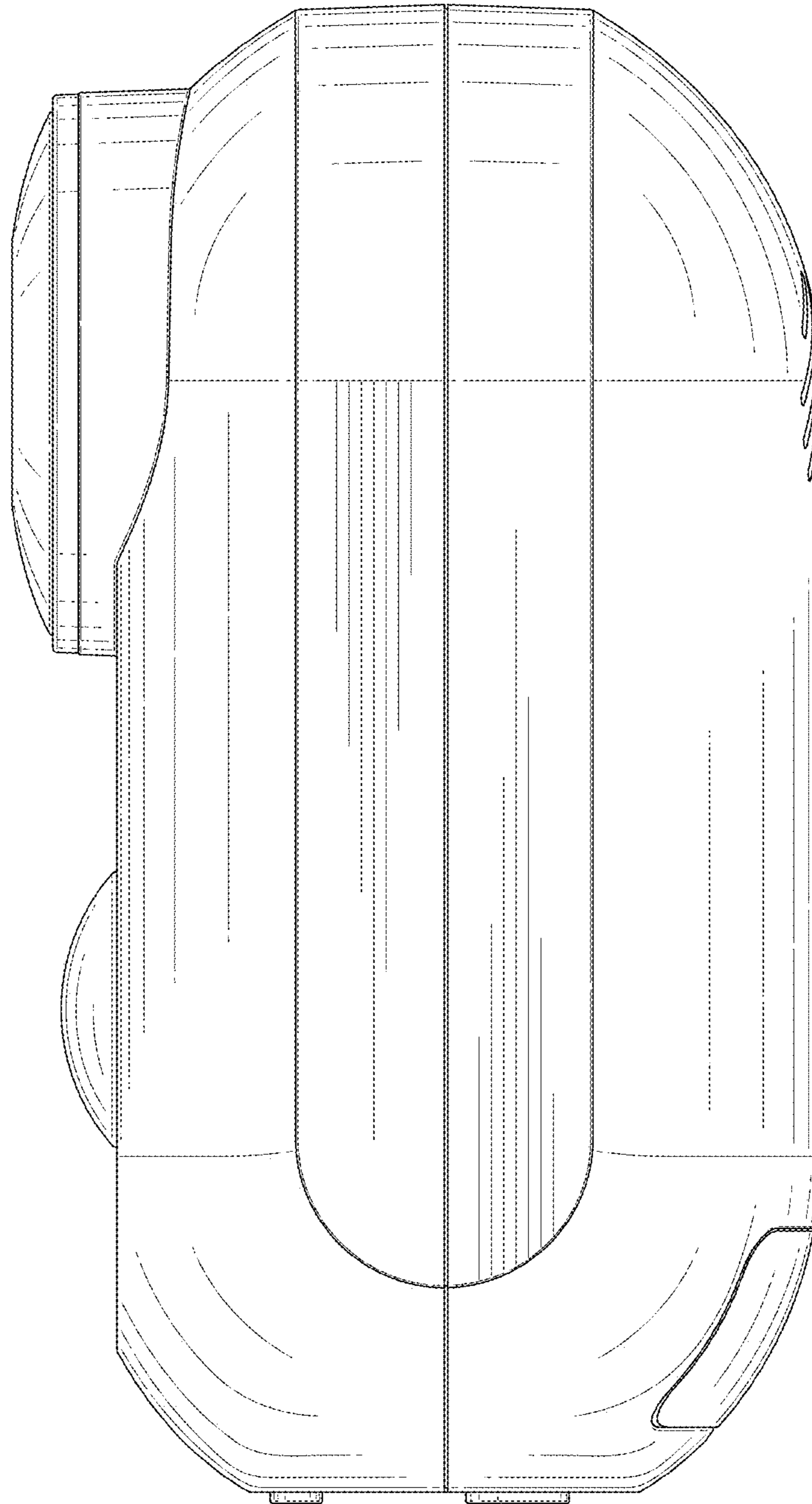


FIG.5

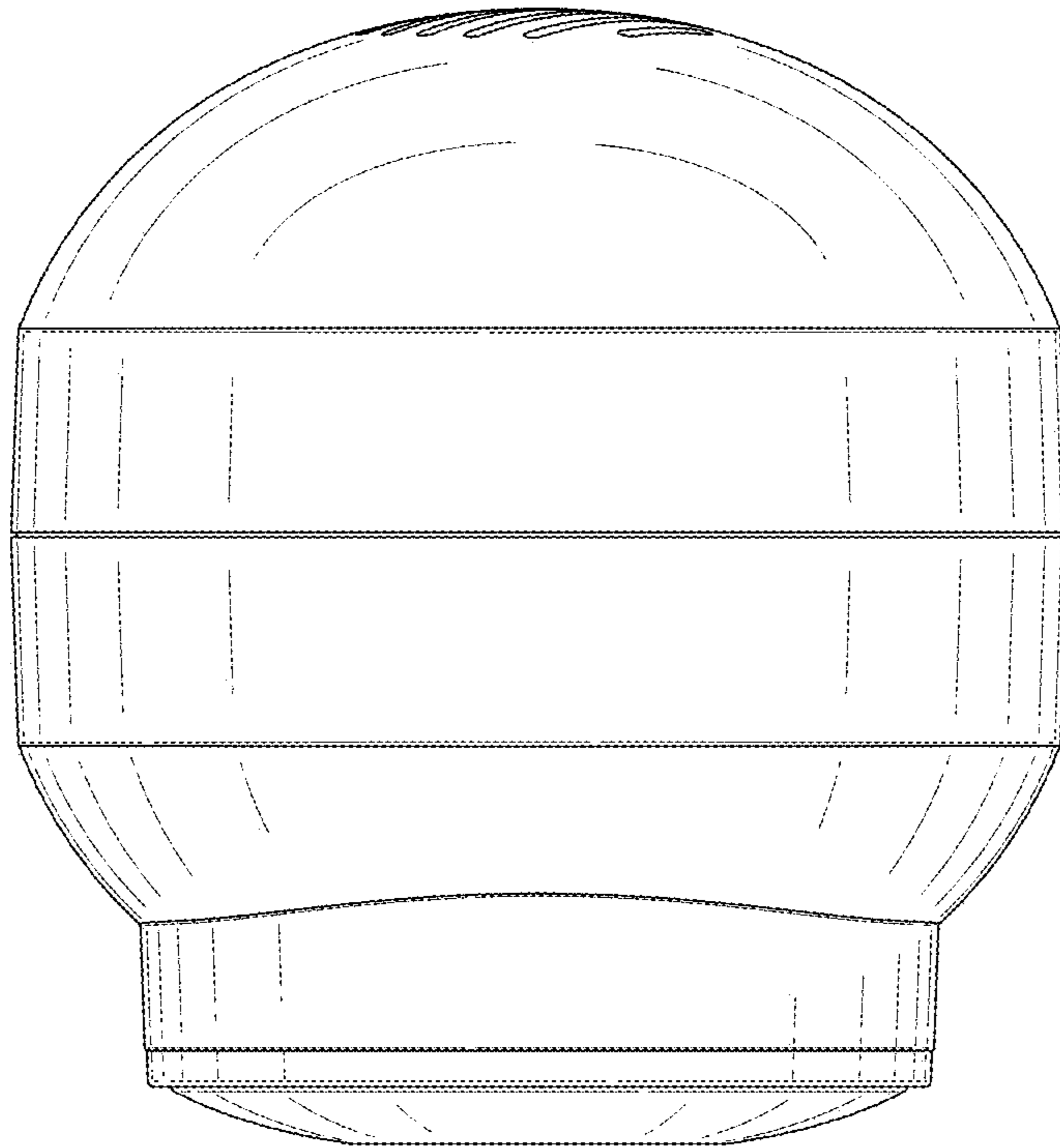


FIG.6

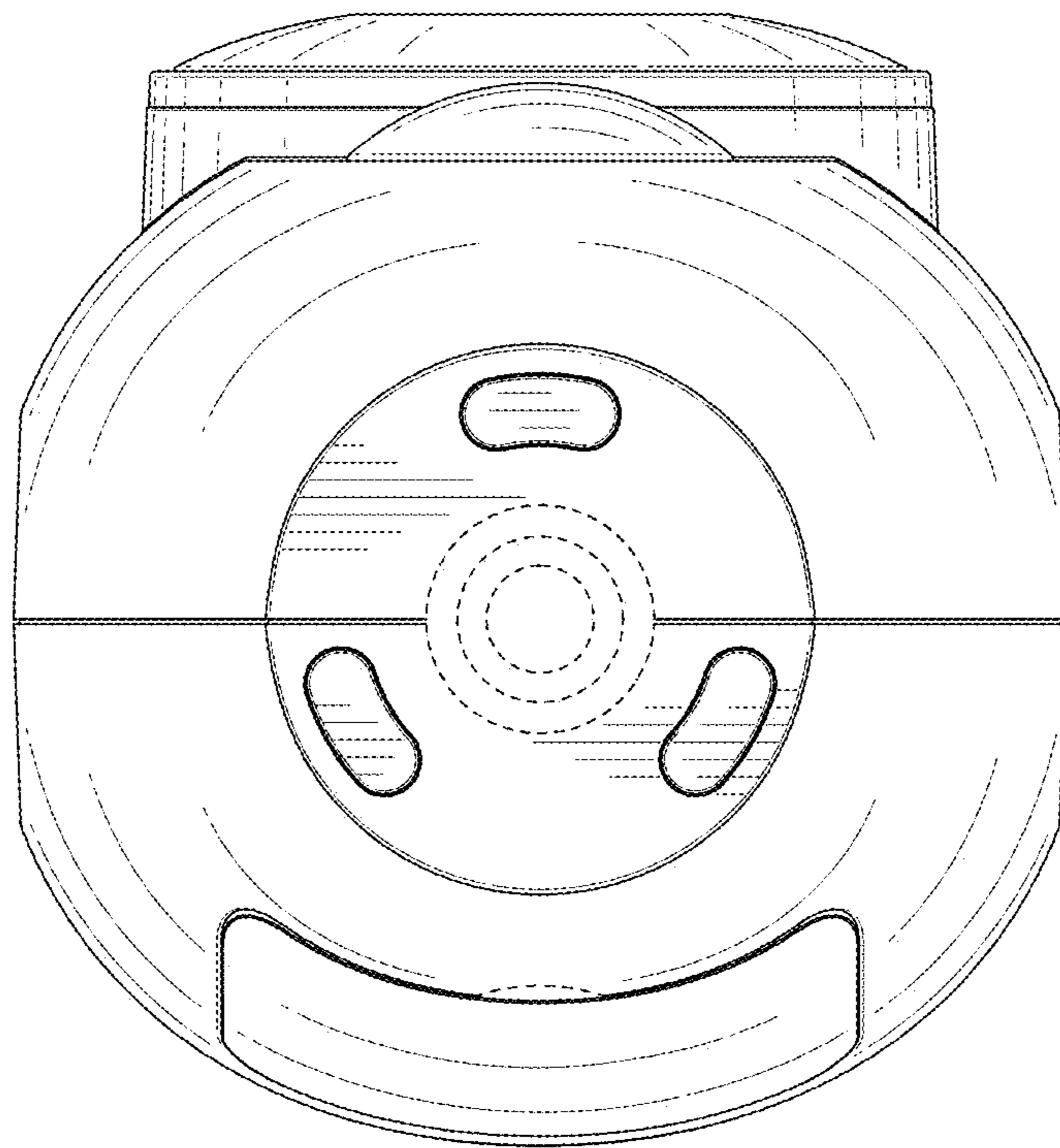


FIG.7