



US00D985038S

(12) **United States Design Patent** (10) **Patent No.:** **US D985,038 S**  
**Lee** (45) **Date of Patent:** **\*\* May 2, 2023**

(54) **VIDEO RECORDER FOR VEHICLE**

(71) Applicant: **Thinkware Corporation**, Seongnam-si (KR)

(72) Inventor: **Yong Lee**, Seongnam-si (KR)

(73) Assignee: **THINKWARE CORPORATION**, Seongnam-si (KR)

(\*\*) Term: **15 Years**

(21) Appl. No.: **29/755,878**

(22) Filed: **Oct. 23, 2020**

(30) **Foreign Application Priority Data**

Apr. 27, 2020 (KR) ..... 30-2020-0018677

(51) **LOC (14) Cl.** ..... **16-01**

(52) **U.S. Cl.**  
USPC ..... **D16/203**

(58) **Field of Classification Search**  
USPC .... D16/200–203, 208, 214; D10/46, 61, 62,  
D10/65, 70, 104.1, 106.6, 109.1;  
D14/203.1, 204, 203.8, 209.1, 317, 474,  
D14/496

CPC .... G03B 17/02; G03B 21/10; G03B 2217/00;  
H04N 5/2251; H04N 5/2252; H04N  
5/2253; H04N 5/2254; H04N 5/23216;  
H04N 5/232939; F16M 13/00

See application file for complete search history.

(56) **References Cited**

**U.S. PATENT DOCUMENTS**

D264,318 S \* 5/1982 Guscott ..... D10/106.6  
D441,386 S \* 5/2001 Yamazaki ..... D16/203

(Continued)

**FOREIGN PATENT DOCUMENTS**

CN 304031401 \* 2/2017  
CN 304763277 \* 8/2018

**OTHER PUBLICATIONS**

“PixelMan PMD2A Backup Camera, Upgrade HD Metal 170 Degree Wide Angle Rear View Reversing Camera, Super Night Vision IP69 Waterproof Universal Reverse Rearview Cam for Car Vehicle SUV RV Pickup” from Amazon.com, first available Nov. 19, 2020 from the internet <<https://www.amazon.com/dp/B08NW4MF8V/>> (Year: 2020).\*

(Continued)

*Primary Examiner* — Michelle E. Wilson

*Assistant Examiner* — Lacey Chey Bowman

(74) *Attorney, Agent, or Firm* — Hayes Soloway PC

(57) **CLAIM**

I claim the ornamental design for a video recorder for vehicle, as shown and described.

**DESCRIPTION**

FIG. 1 is a perspective view of a video recorder for vehicle showing my new design;

FIG. 2 is a front elevational view thereof;

FIG. 3 is a rear elevational view thereof;

FIG. 4 is a left side elevational view thereof;

FIG. 5 is a right side elevational view thereof;

FIG. 6 is a top view thereof;

FIG. 7 is a bottom view thereof;

FIG. 8 is a reference drawing that explains the state of use of the design;

FIG. 9 is a side view thereof;

FIG. 10 is a side view thereof, shown in an alternate position;

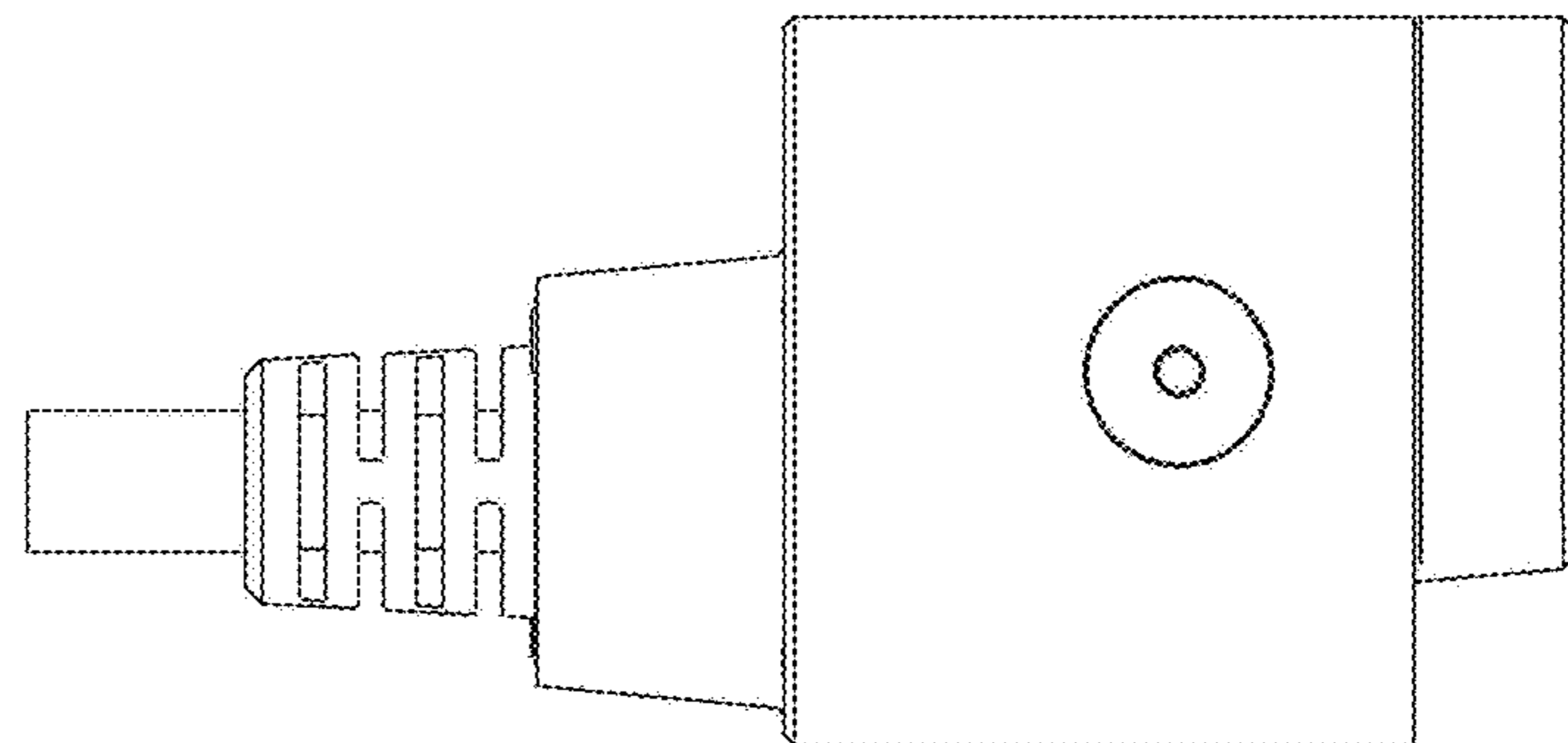
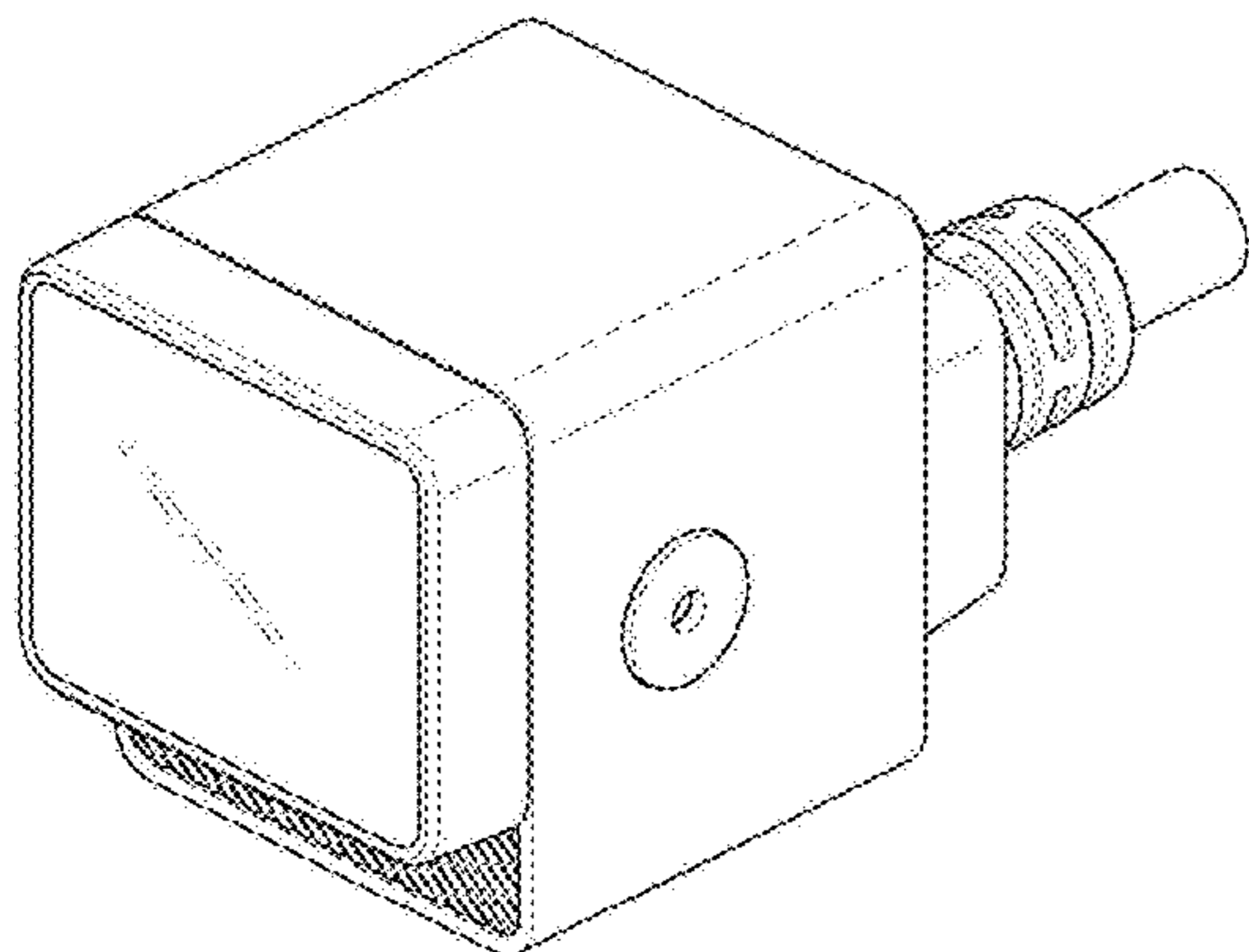
FIG. 11 is a side view thereof, shown in another alternate position;

FIG. 12 is a side view thereof; and,

FIG. 13 is a side view thereof, shown in another alternate position.

The broken lines contained in FIGS. 8-13 are for the purpose of illustrating the environmental structure and form no part of the claimed design.

**1 Claim, 8 Drawing Sheets**



(56)

**References Cited**

## U.S. PATENT DOCUMENTS

8,908,036 B2 \* 12/2014 Tanaka ..... H04N 5/2257  
 348/148  
 D727,991 S \* 4/2015 Hasegawa ..... D16/203  
 D730,423 S \* 5/2015 Vandenbussche ..... D16/218  
 D739,452 S \* 9/2015 Adams ..... D16/208  
 D765,755 S \* 9/2016 Pellegrino ..... D16/202  
 D785,068 S \* 4/2017 Patsis ..... D16/218  
 D789,999 S \* 6/2017 Yakabe ..... D16/200  
 D820,319 S \* 6/2018 Mullins ..... D14/203.3  
 D883,362 S \* 5/2020 Lee ..... D16/208  
 2010/0085474 A1 \* 4/2010 Morita ..... H04N 5/2253  
 348/374  
 2011/0216195 A1 \* 9/2011 Tanaka ..... H04N 5/2254  
 348/148  
 2017/0315427 A1 \* 11/2017 Nakano ..... G03B 17/55

## OTHER PUBLICATIONS

“Dual Lens Dash Cam, Mirror Camera Car Dashboard, LESHP 4.3 Inch LCD Dual Lens DVR Video Recorder TFT Rearview Monitor Screen G-Sensor Waterproof for Car Backup Camera HD 1080P” from Amazon.com, first available Apr. 14, 2017 from the internet <<https://www.amazon.co.uk/Dashboard-LESHP-Recorder-Rearview-Waterproof/dp/B06XZ1LW4J>>. (Year: 2017).\*

“Alpine HCE-C2100RD” from Crutchfield.com, first retrieved on Nov. 16, 2022 from the internet <[https://www.crutchfield.com/S-B70dQ4R3MfU/p\\_500HCEC21/Alpine-HCE-C2100RD.html?XVINQ=GZ0&XVVer=13GX&awcr=628428313578&awdv=c&awnw=g&awug=9059726&awkw=pla-400492812189&awmt=&awat=pla&gclid=EA1alQobChMlqNuy6-iz-wIVT8vICh18sQkNEAQYBCABEgLR3fD\\_BwE](https://www.crutchfield.com/S-B70dQ4R3MfU/p_500HCEC21/Alpine-HCE-C2100RD.html?XVINQ=GZ0&XVVer=13GX&awcr=628428313578&awdv=c&awnw=g&awug=9059726&awkw=pla-400492812189&awmt=&awat=pla&gclid=EA1alQobChMlqNuy6-iz-wIVT8vICh18sQkNEAQYBCABEgLR3fD_BwE)>. (Year: 2022).\*

\* cited by examiner

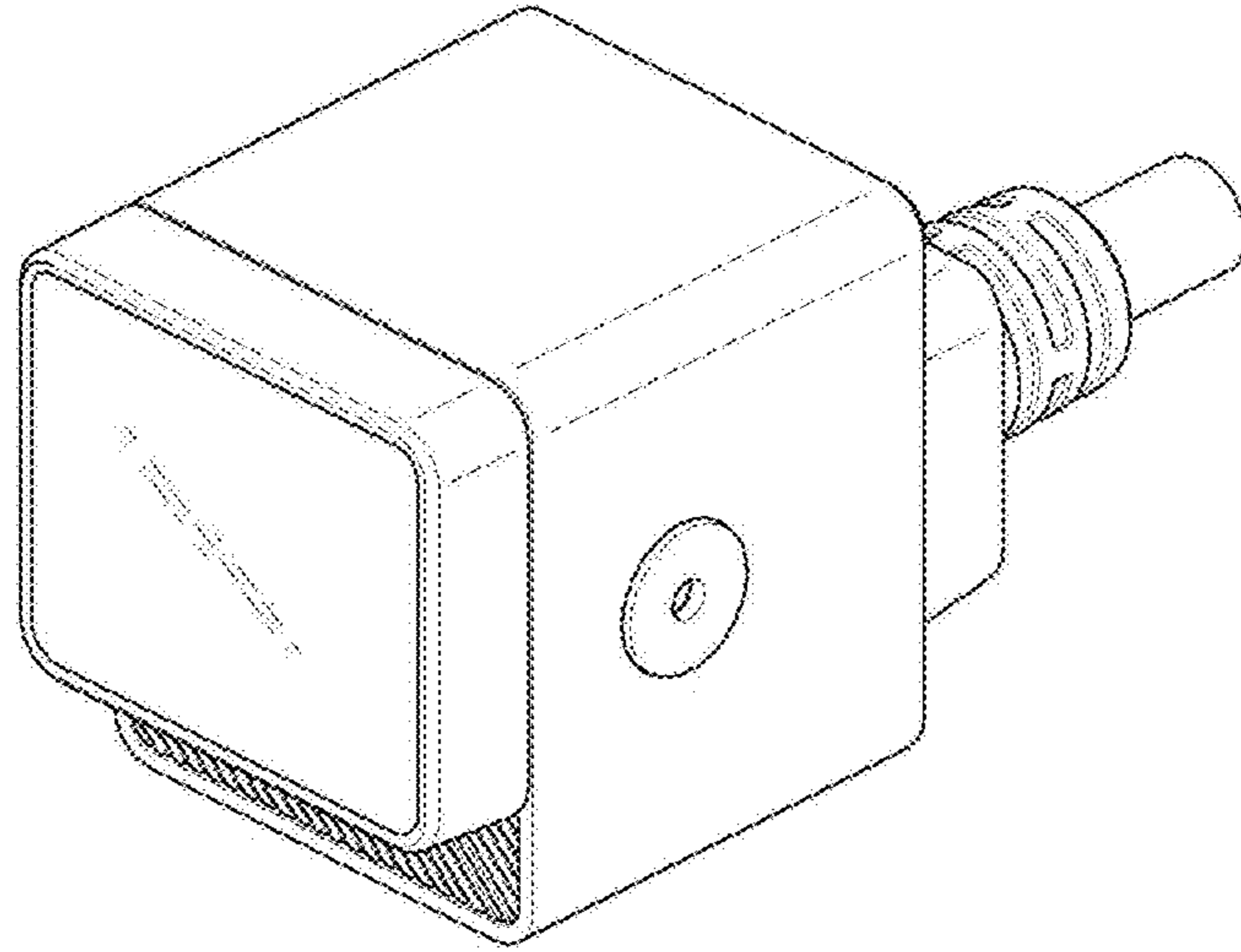


FIG. 1

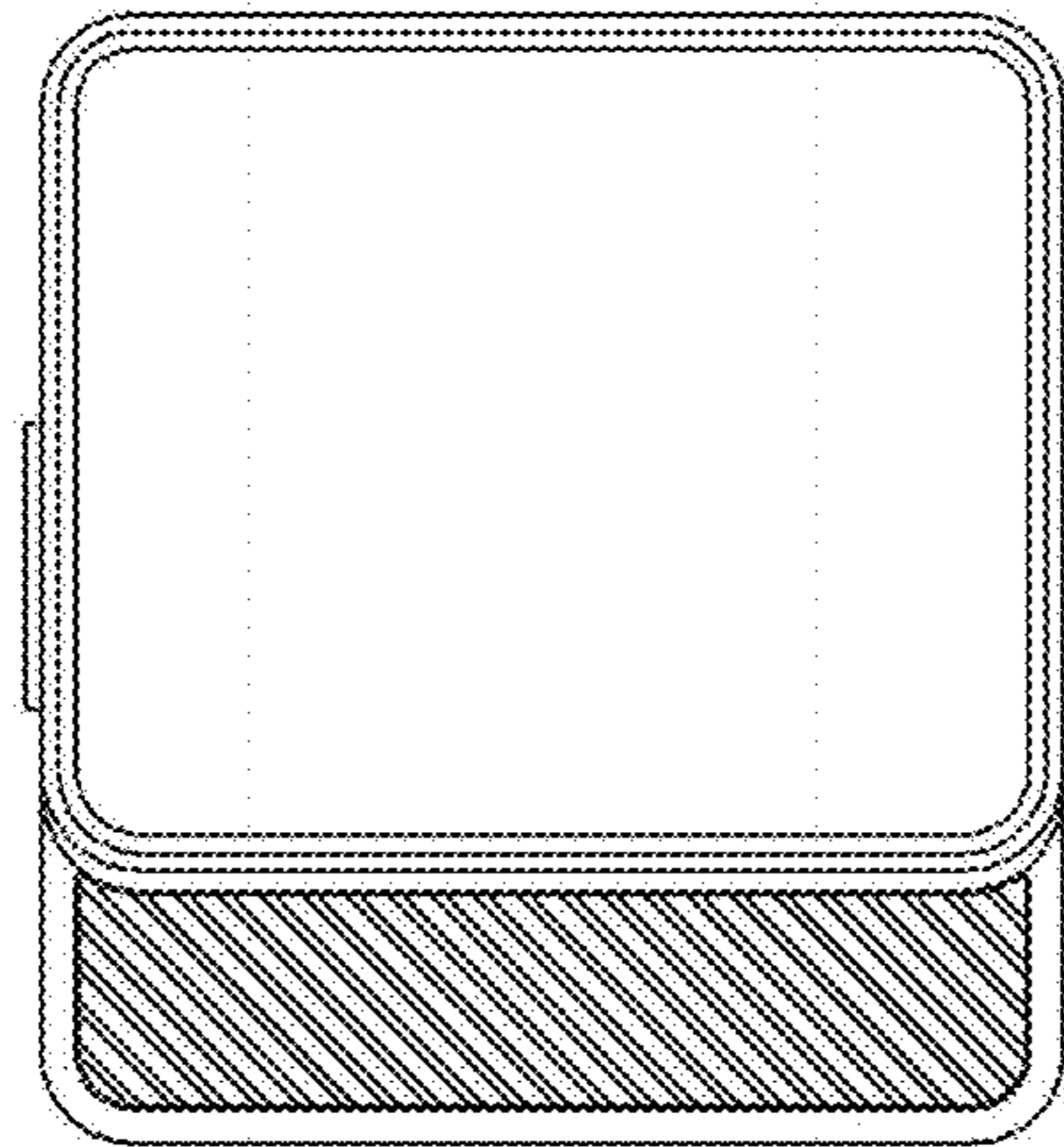


FIG. 2

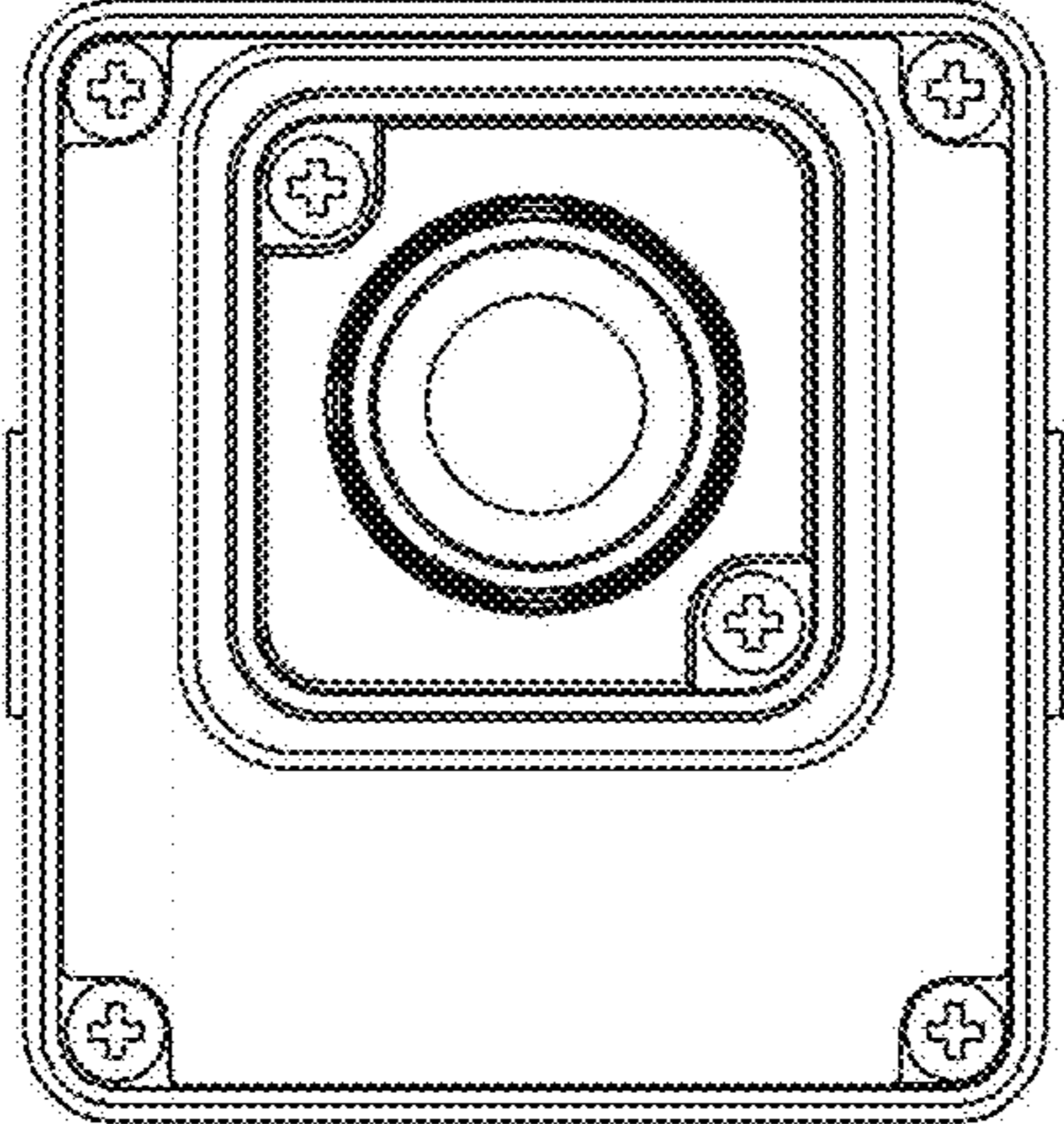


FIG. 3

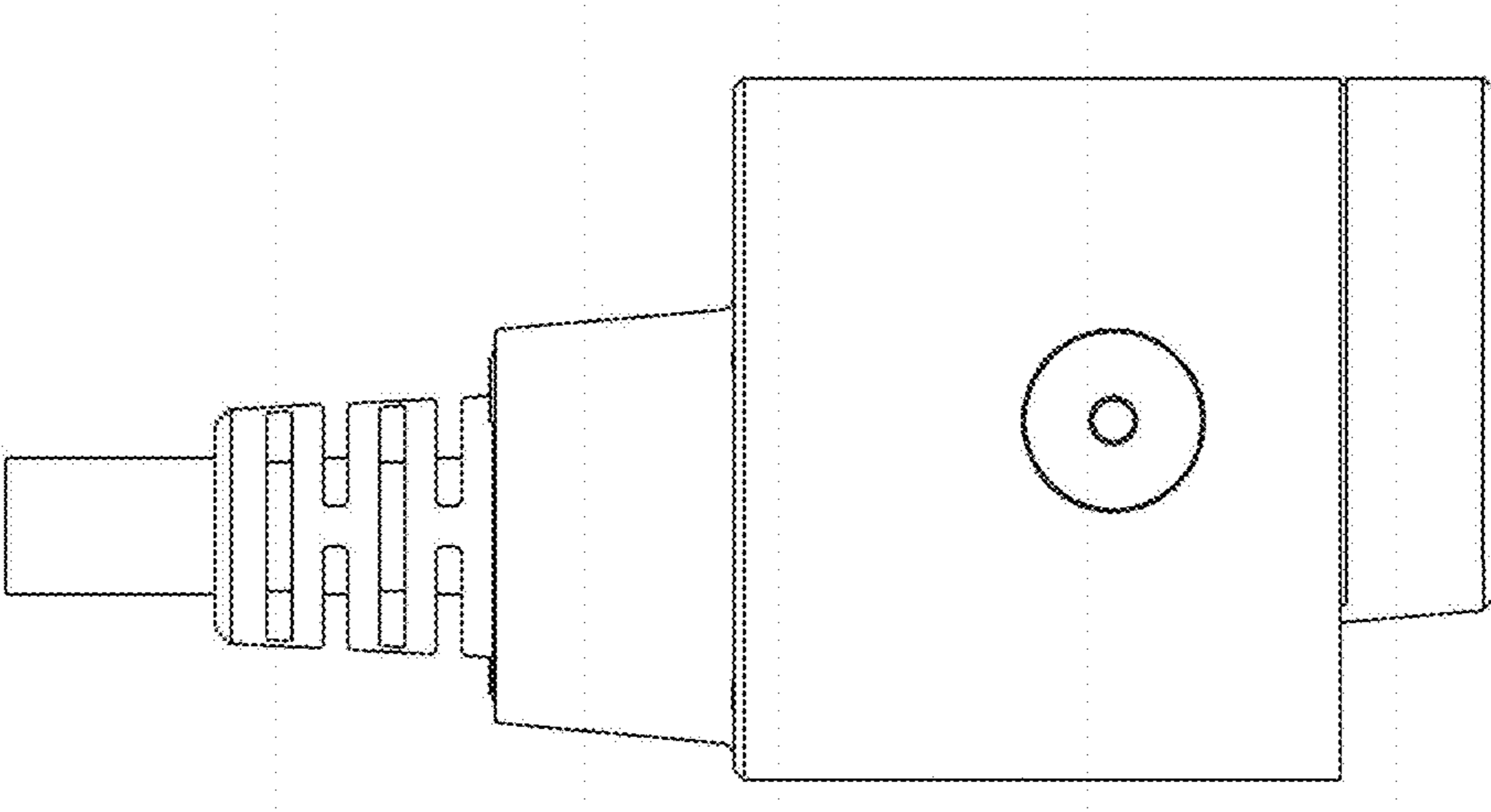


FIG. 4

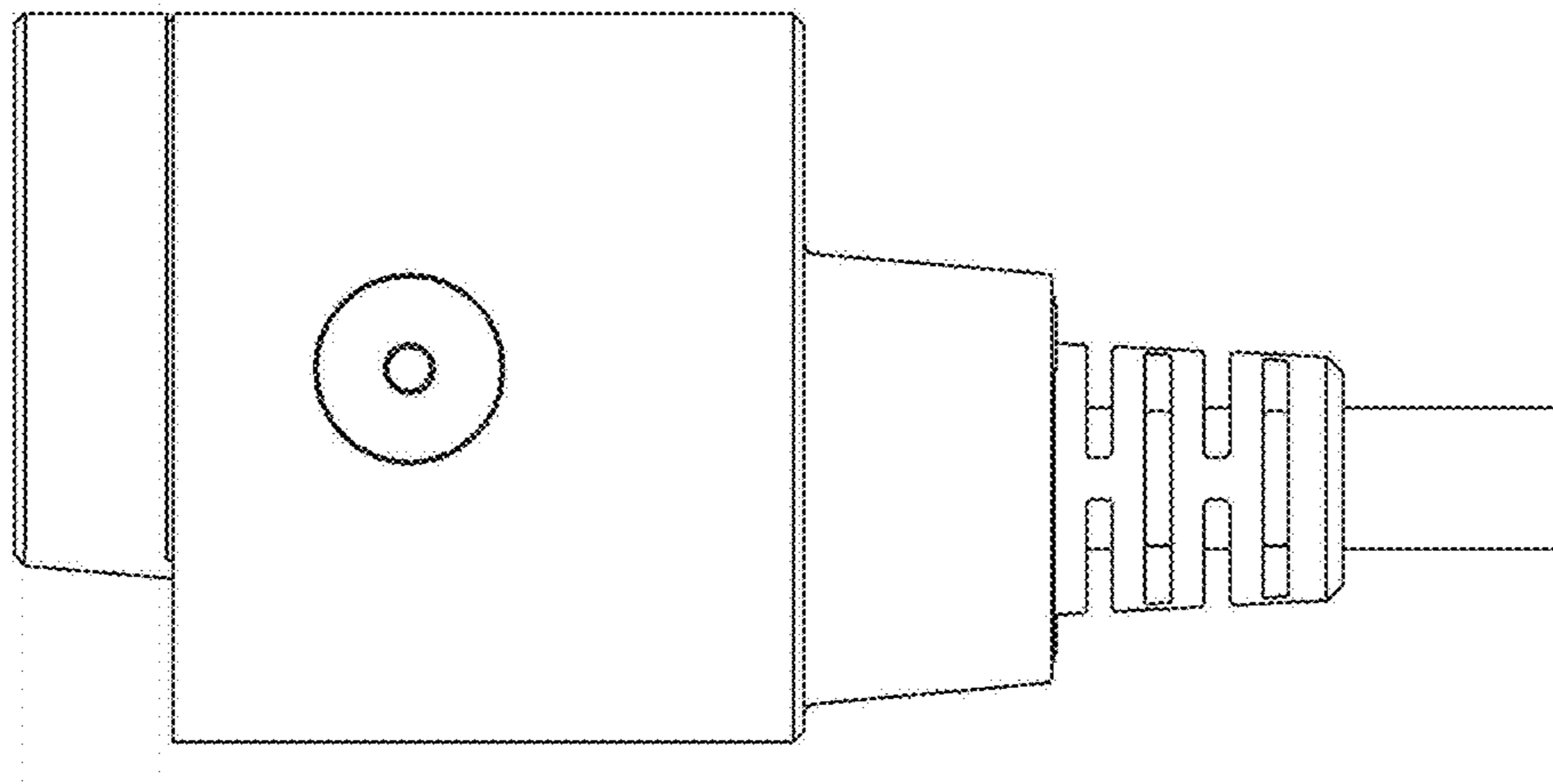


FIG. 5

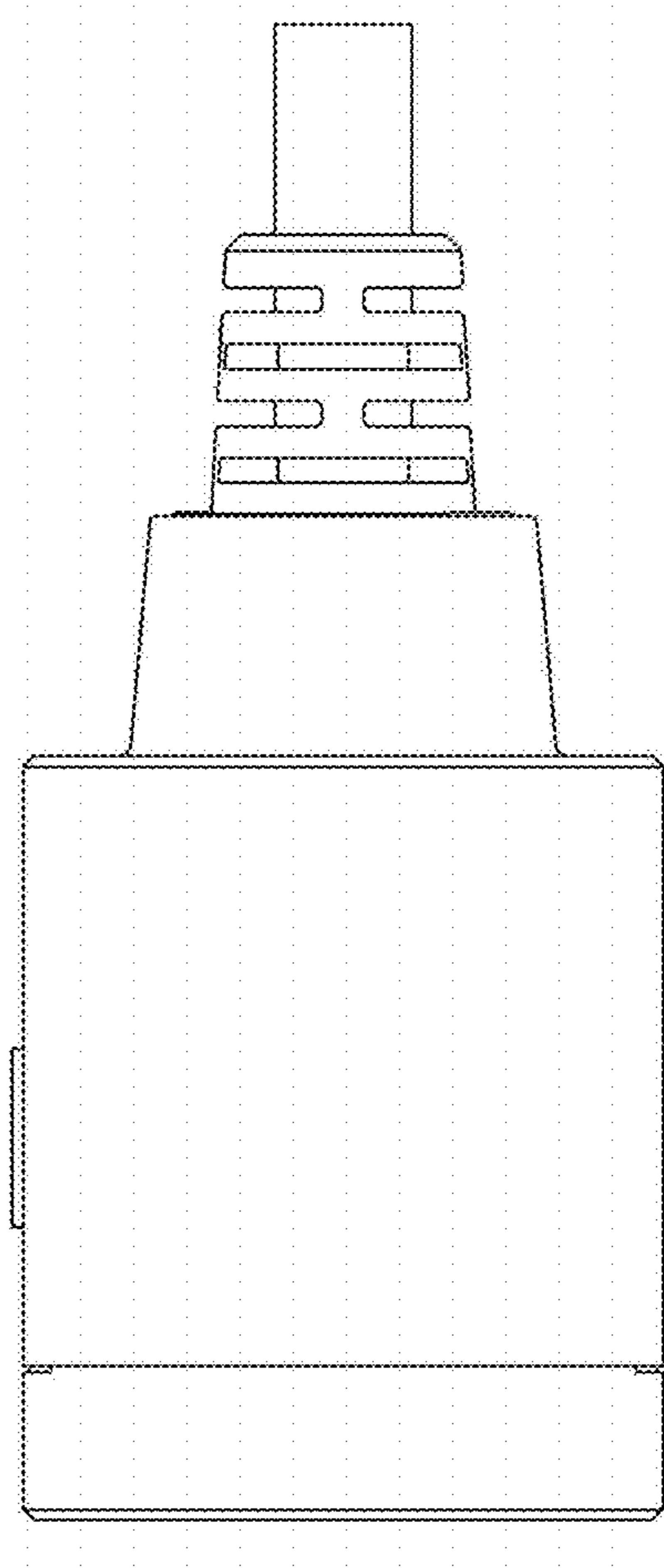


FIG. 6

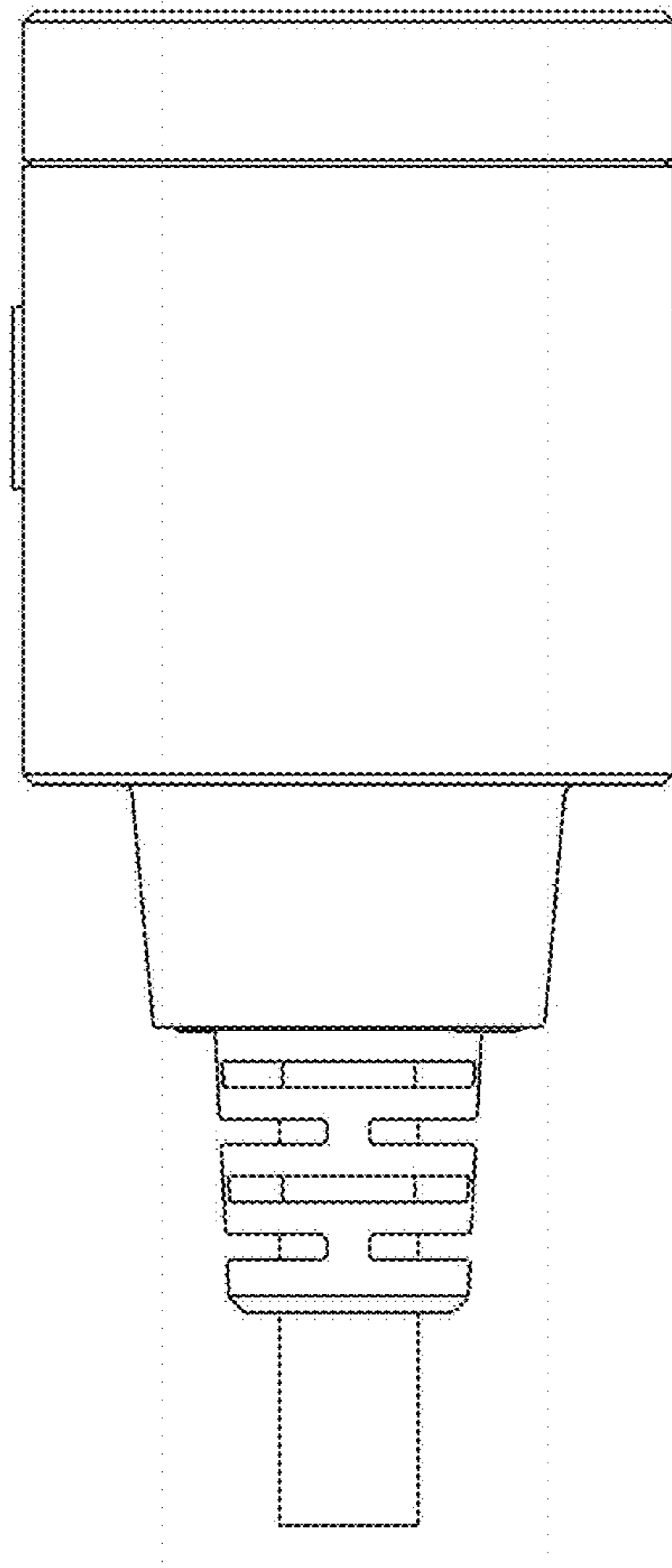
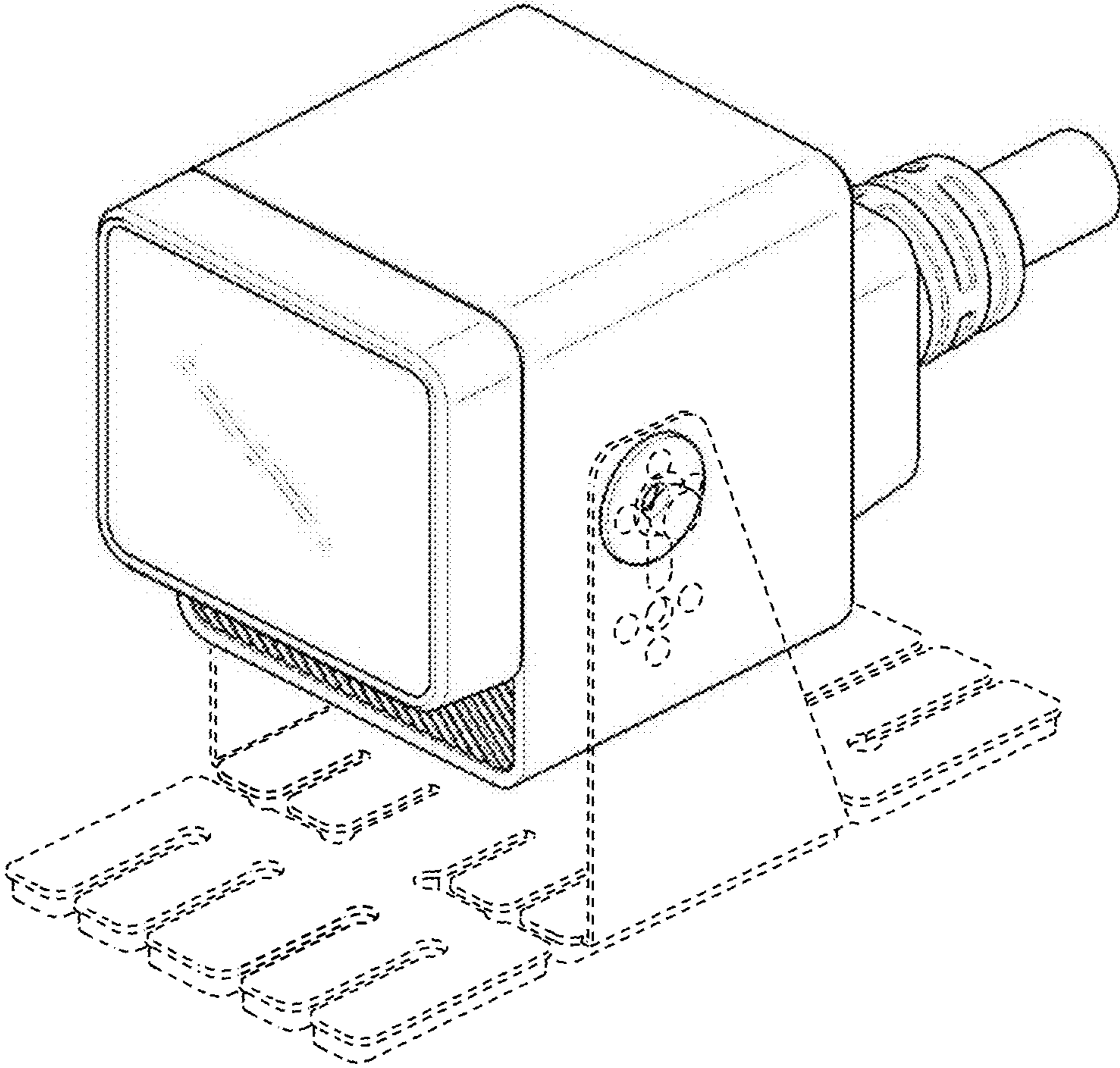
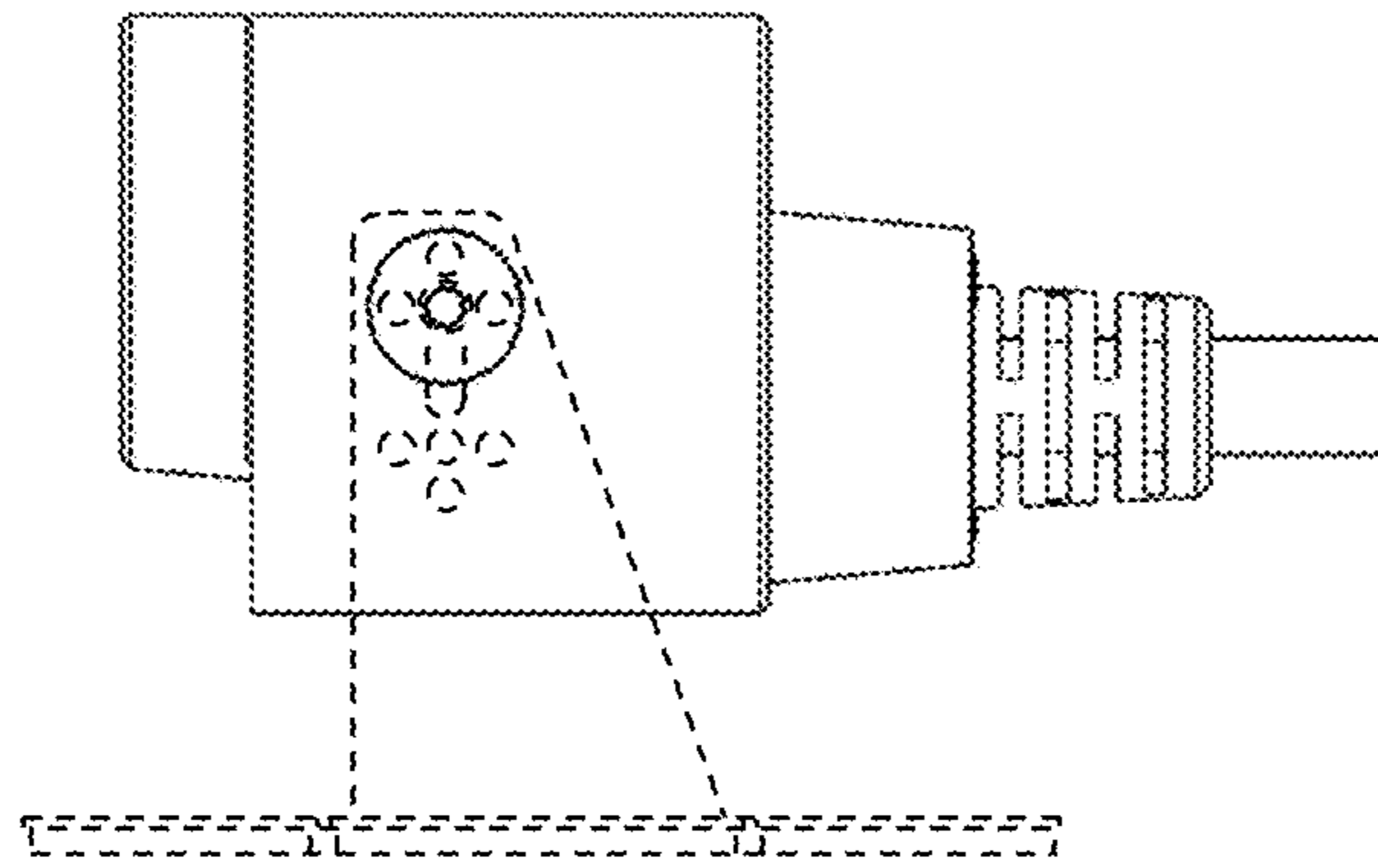


FIG. 7

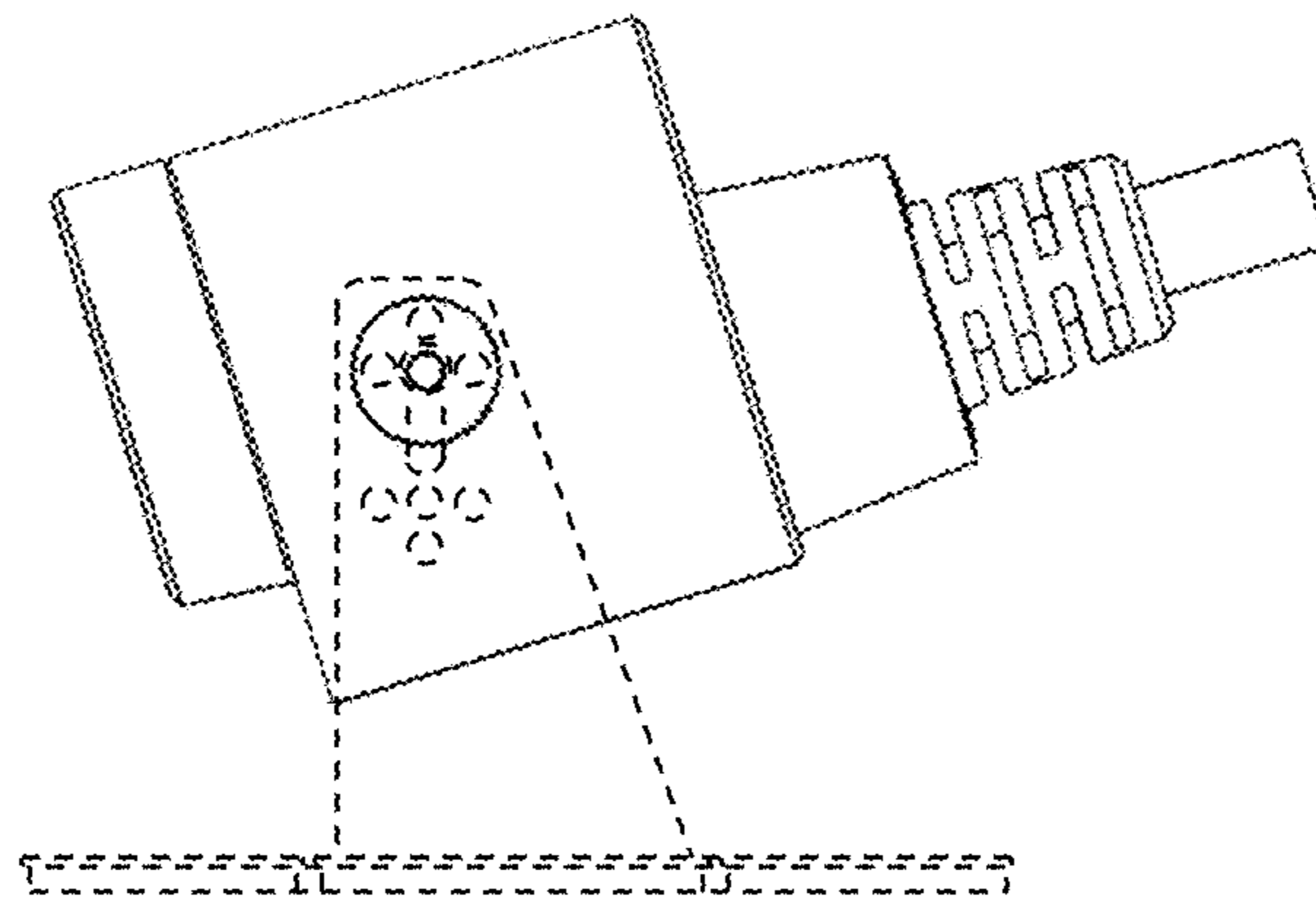


**FIG. 8**

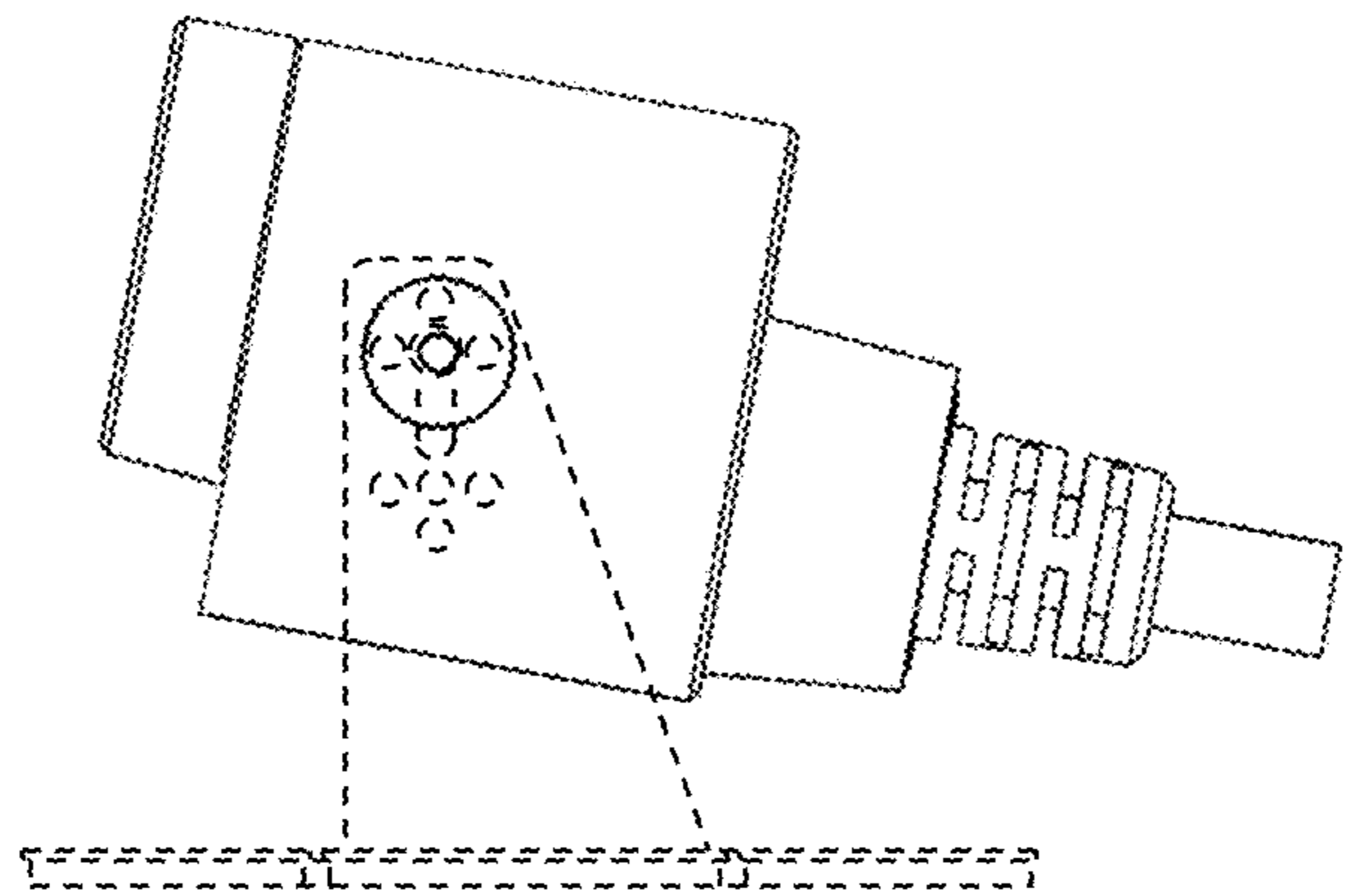




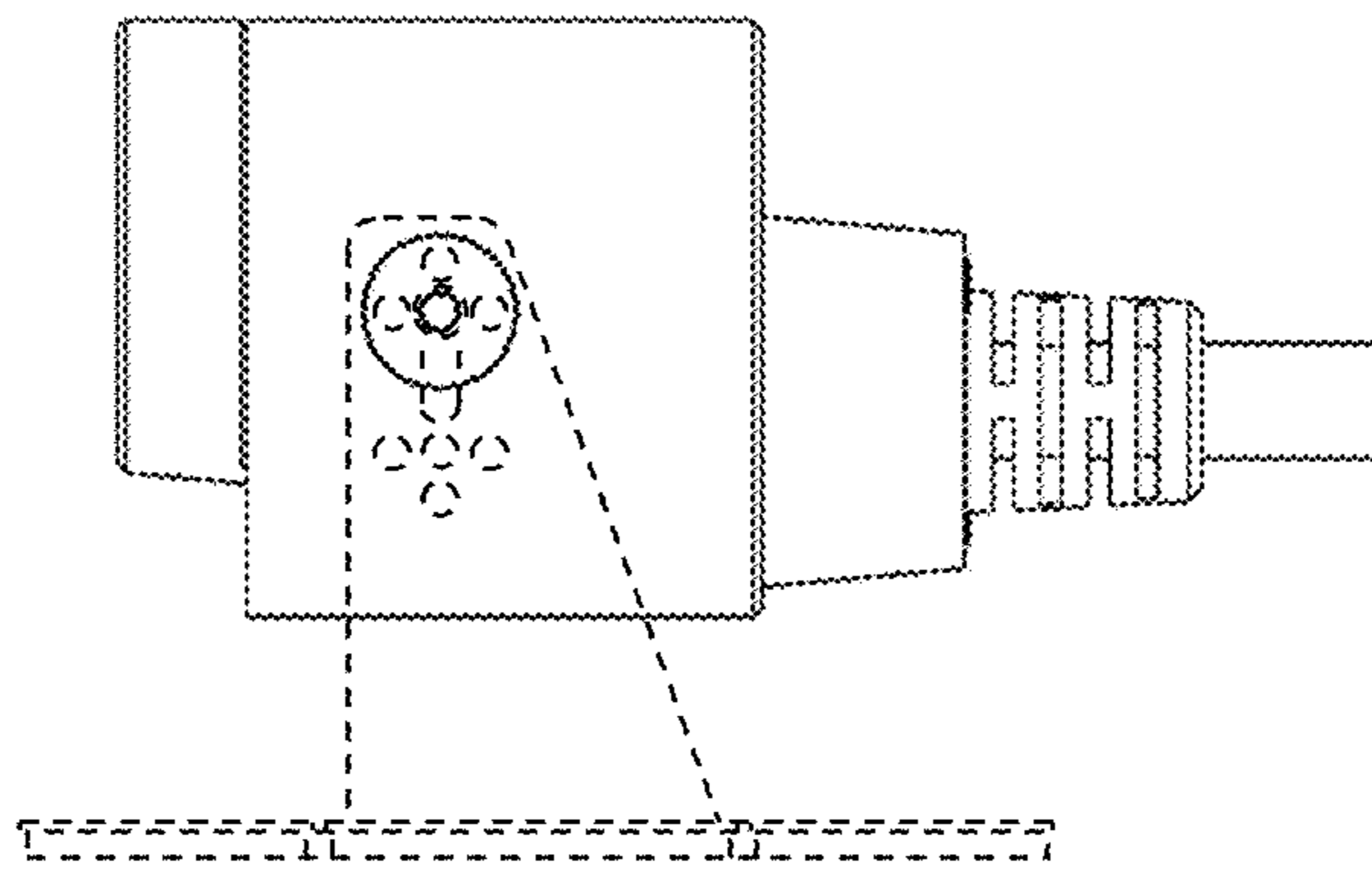
**FIG. 9**



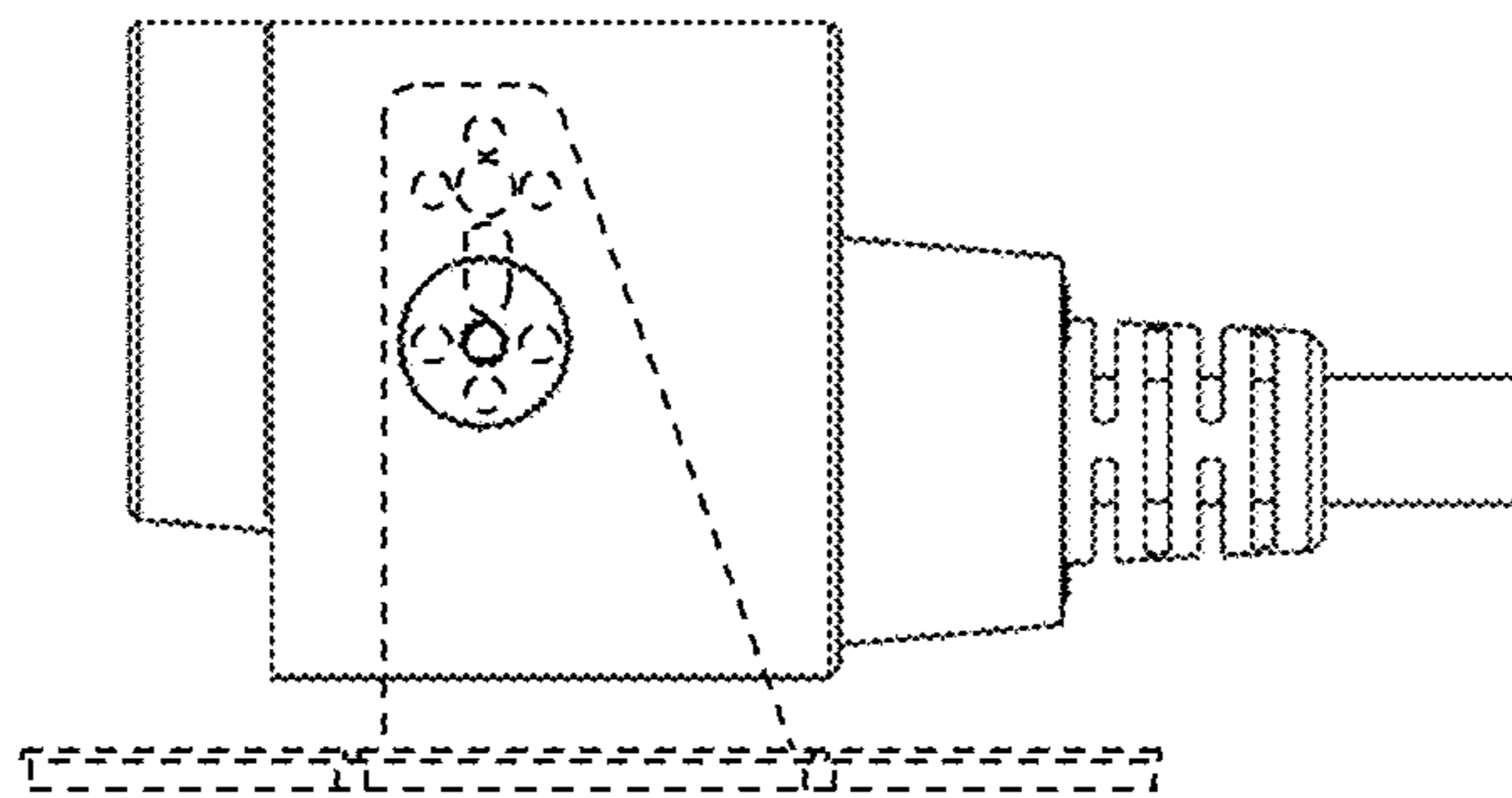
**FIG. 10**



**FIG. 11**



**FIG. 12**



**FIG. 13**