



US00D985037S

(12) **United States Design Patent**
Zhao

(10) **Patent No.:** **US D985,037 S**

(45) **Date of Patent:** **** May 2, 2023**

(54) **DIGITAL CAMERA**

(71) Applicant: **SHENZHEN GAOXINDE E-COMMERCE CO., LTD**, Shenzhen (CN)

(72) Inventor: **Xuping Zhao**, Shantou (CN)

(73) Assignee: **SHENZHEN GAOXINDE E-COMMERCE CO., LTD**, Shenzhen (CN)

(**) Term: **15 Years**

(21) Appl. No.: **29/882,502**

(22) Filed: **Jan. 16, 2023**

(30) **Foreign Application Priority Data**

Jan. 12, 2023 (JP) 2023-000420 D

(51) **LOC (14) Cl.** **16-01**

(52) **U.S. Cl.**
USPC **D16/202**

(58) **Field of Classification Search**
USPC D16/200, 202-206, 208, 209, 218, 219
CPC G03B 15/03; G03B 17/02; G03B 17/04;
G03B 17/08; G03B 17/56; G03B 19/04;
H04N 5/2251; H04N 5/2252; H04N 5/2253; H04N 5/2254; H04N 2101/00
See application file for complete search history.

(56) **References Cited**

U.S. PATENT DOCUMENTS

D639,326 S * 6/2011 Baba D16/202
D649,997 S * 12/2011 Imai D16/202
D657,408 S * 4/2012 Tainaka D16/202
D681,710 S * 5/2013 Sato D16/200

D712,947 S * 9/2014 Chai D16/202
D712,948 S * 9/2014 Chai D16/202
D745,908 S * 12/2015 Ham D16/202
D779,575 S * 2/2017 Kobayashi D16/202
D813,922 S * 3/2018 Kamei D16/202
D875,804 S * 2/2020 Li D16/202
D883,356 S * 5/2020 Ikegame D16/202
D894,249 S * 8/2020 Kamei D16/202
D942,523 S * 2/2022 Imai D16/202
D975,161 S 1/2023 Zhao

* cited by examiner

Primary Examiner — Ramzi Almatrahi

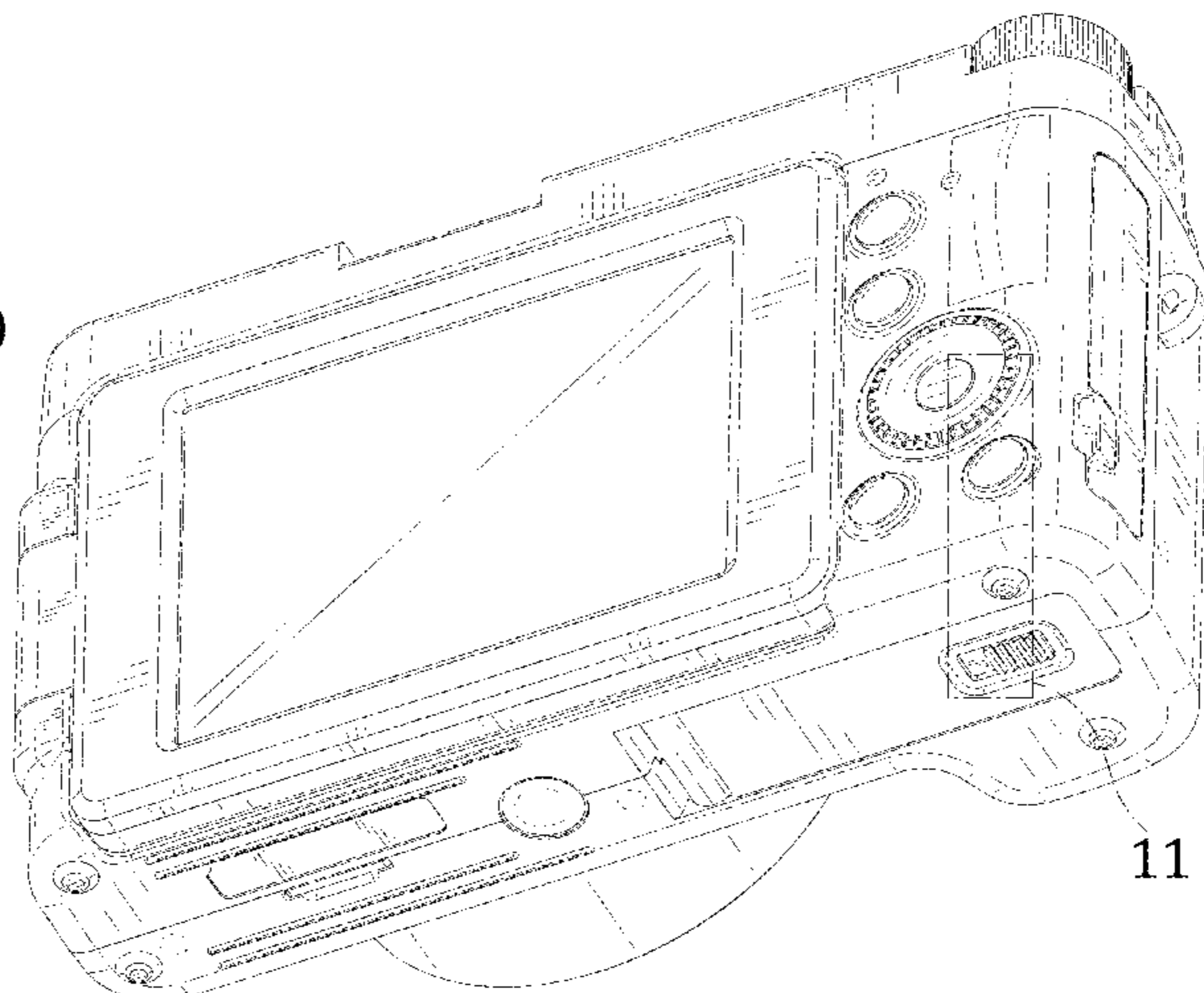
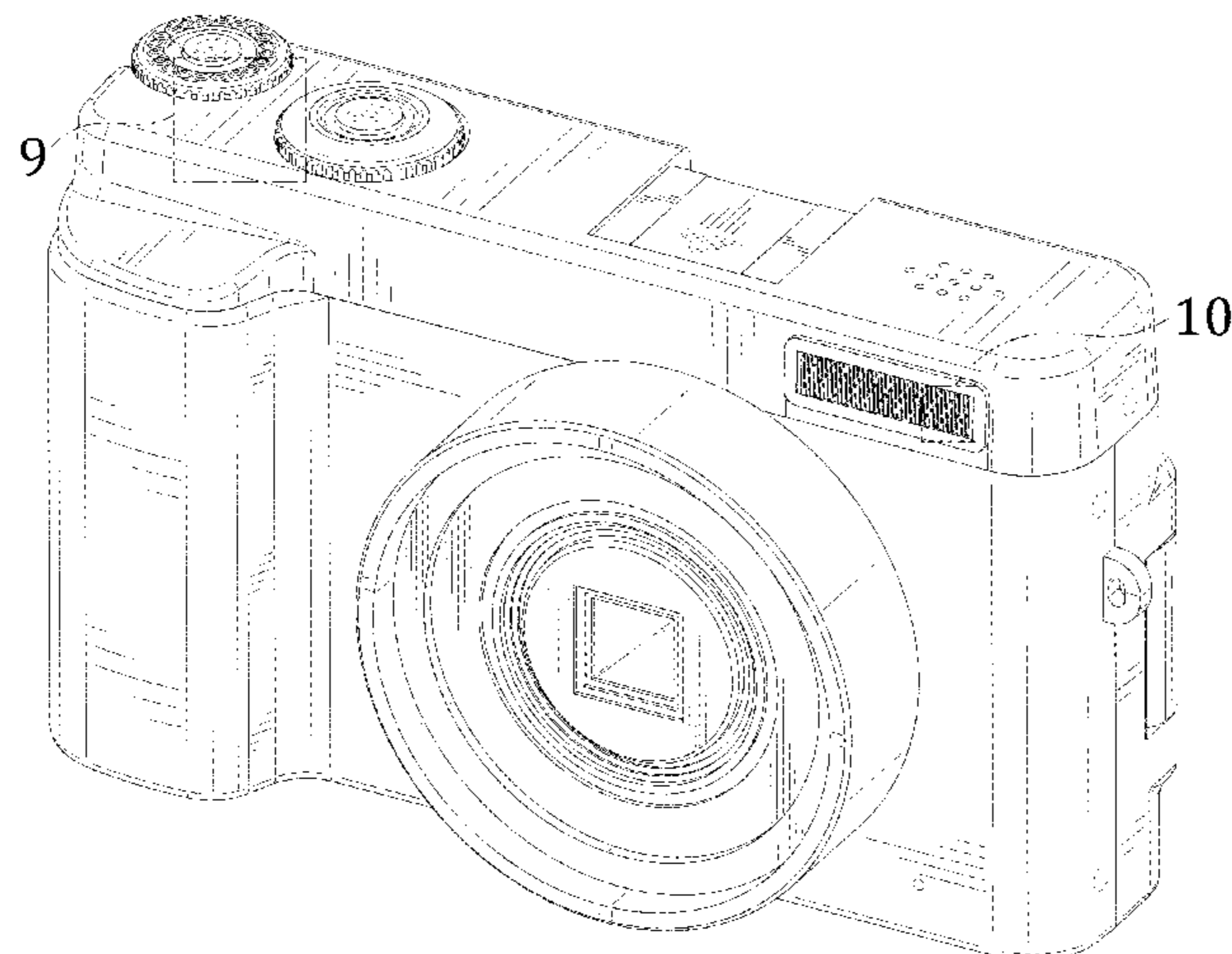
(57) **CLAIM**

The ornamental design for a digital camera, as shown and described.

DESCRIPTION

FIG. 1 is a front perspective view of a digital camera, showing my new design;
FIG. 2 is a rear perspective view thereof;
FIG. 3 is a front view thereof;
FIG. 4 is a rear view thereof;
FIG. 5 is a left side view thereof;
FIG. 6 is a right side view thereof;
FIG. 7 is a top view thereof;
FIG. 8 is a bottom view thereof;
FIG. 9 is an enlarged view of portion 9 shown in FIG. 1;
FIG. 10 is an enlarged view of portion 10 shown in FIG. 1; and,
FIG. 11 is an enlarged view of portion 11 shown in FIG. 2. The broken lines depict portions of the digital camera in which the design is embodied that form no part of the claimed design. The dot-dash broken lines indicating an enlargement portion of the design forms no part of the claimed design.

1 Claim, 11 Drawing Sheets



11

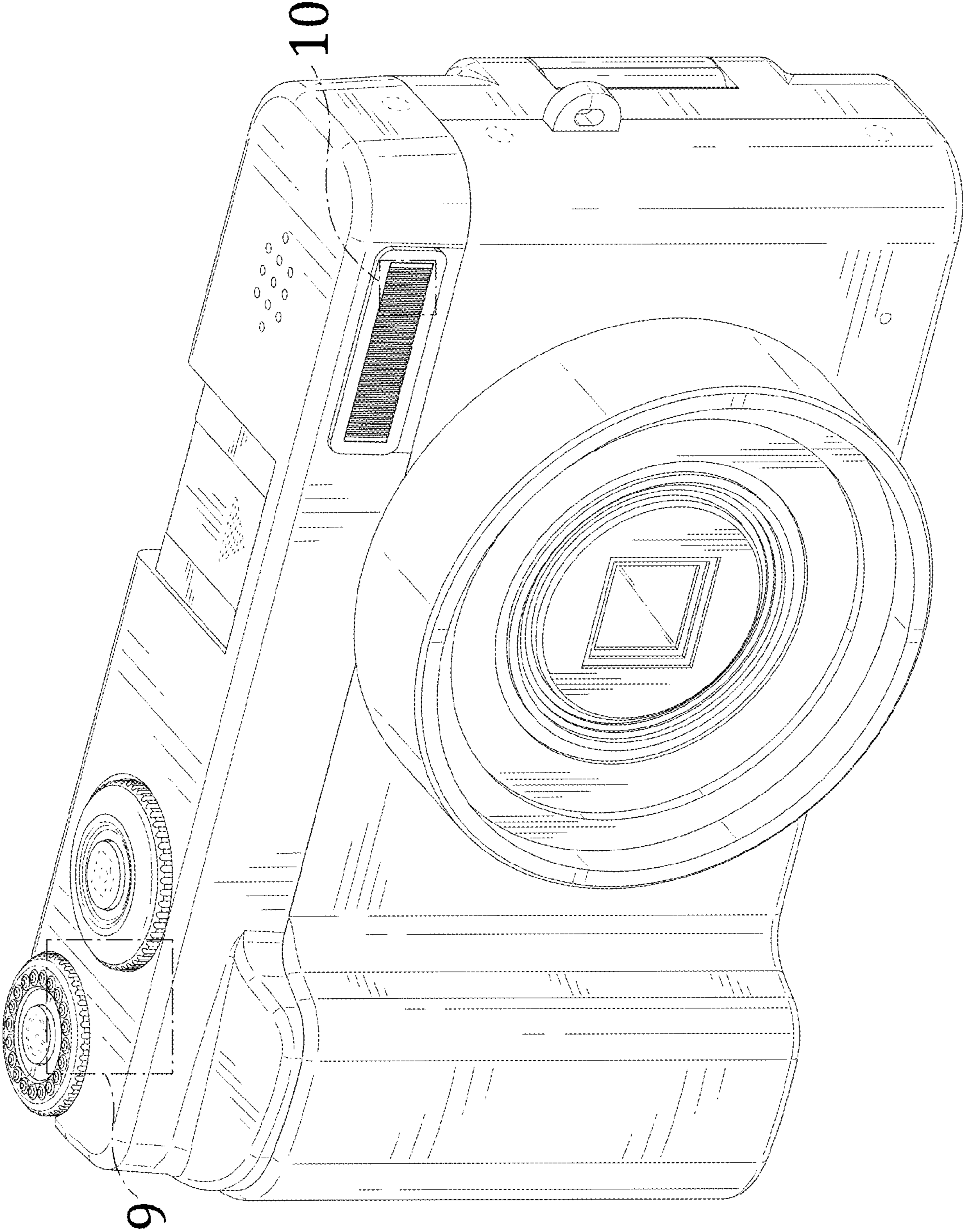


FIG. 1

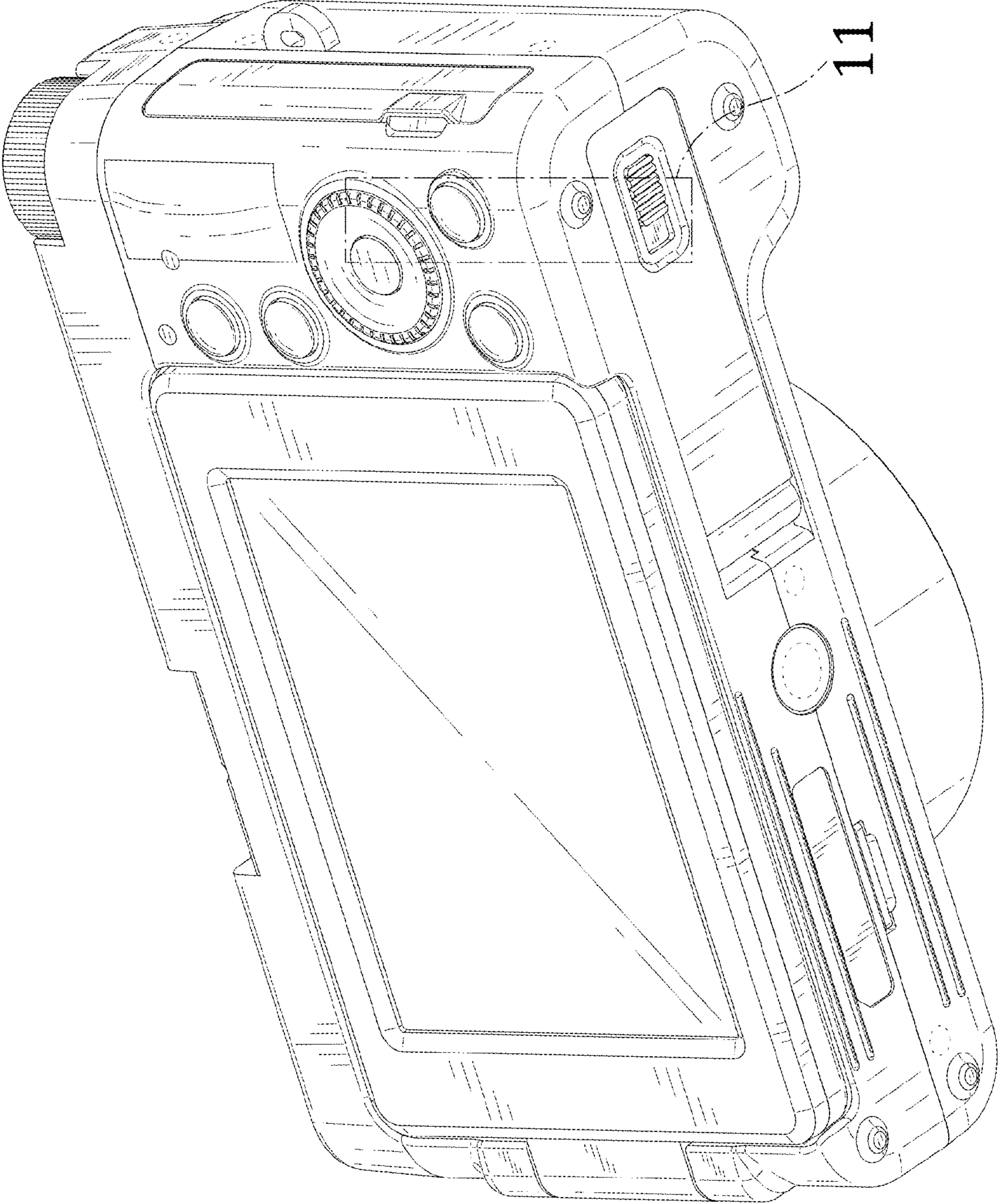


FIG. 2

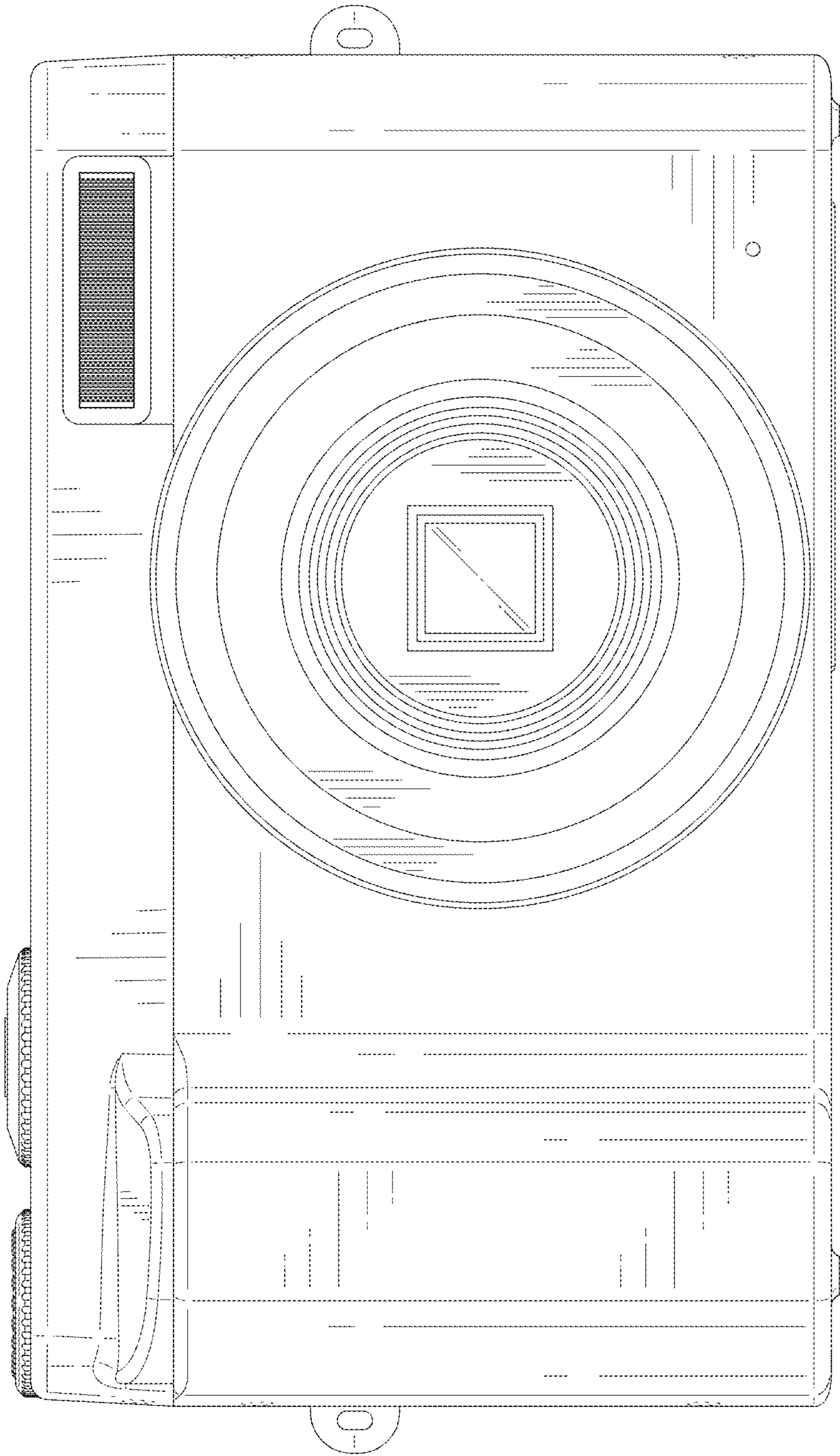


FIG. 3

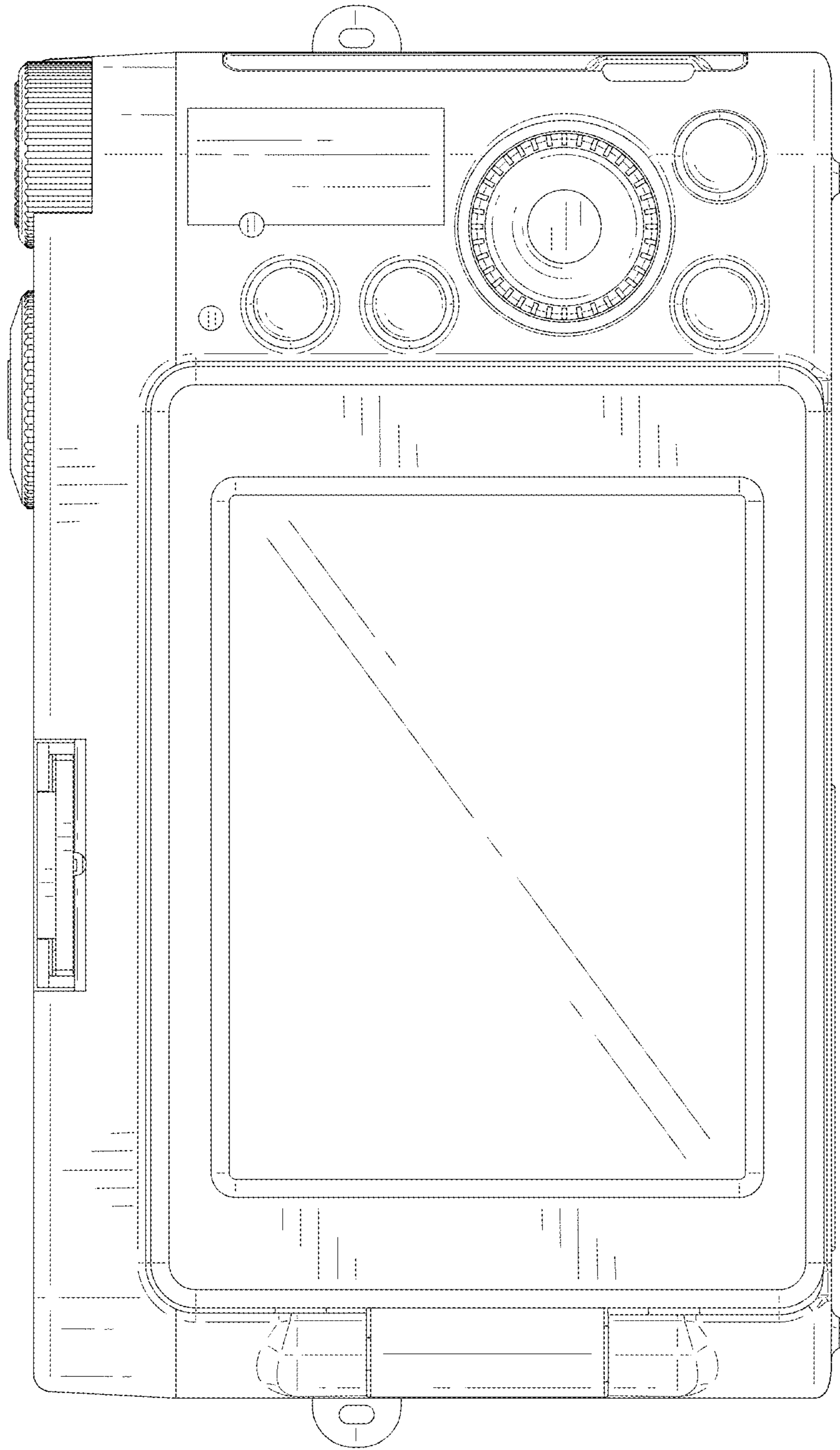


FIG. 4

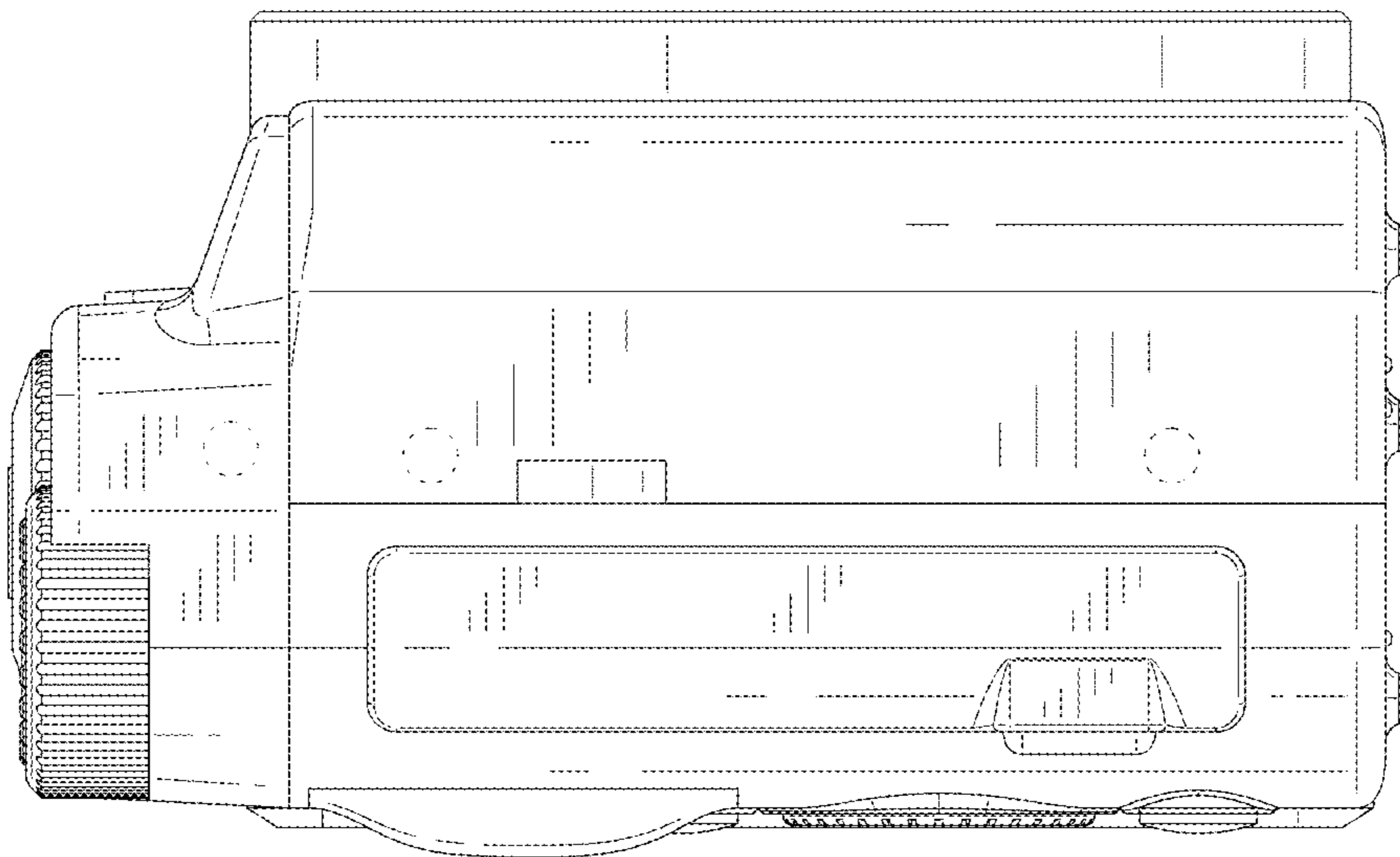


FIG. 5

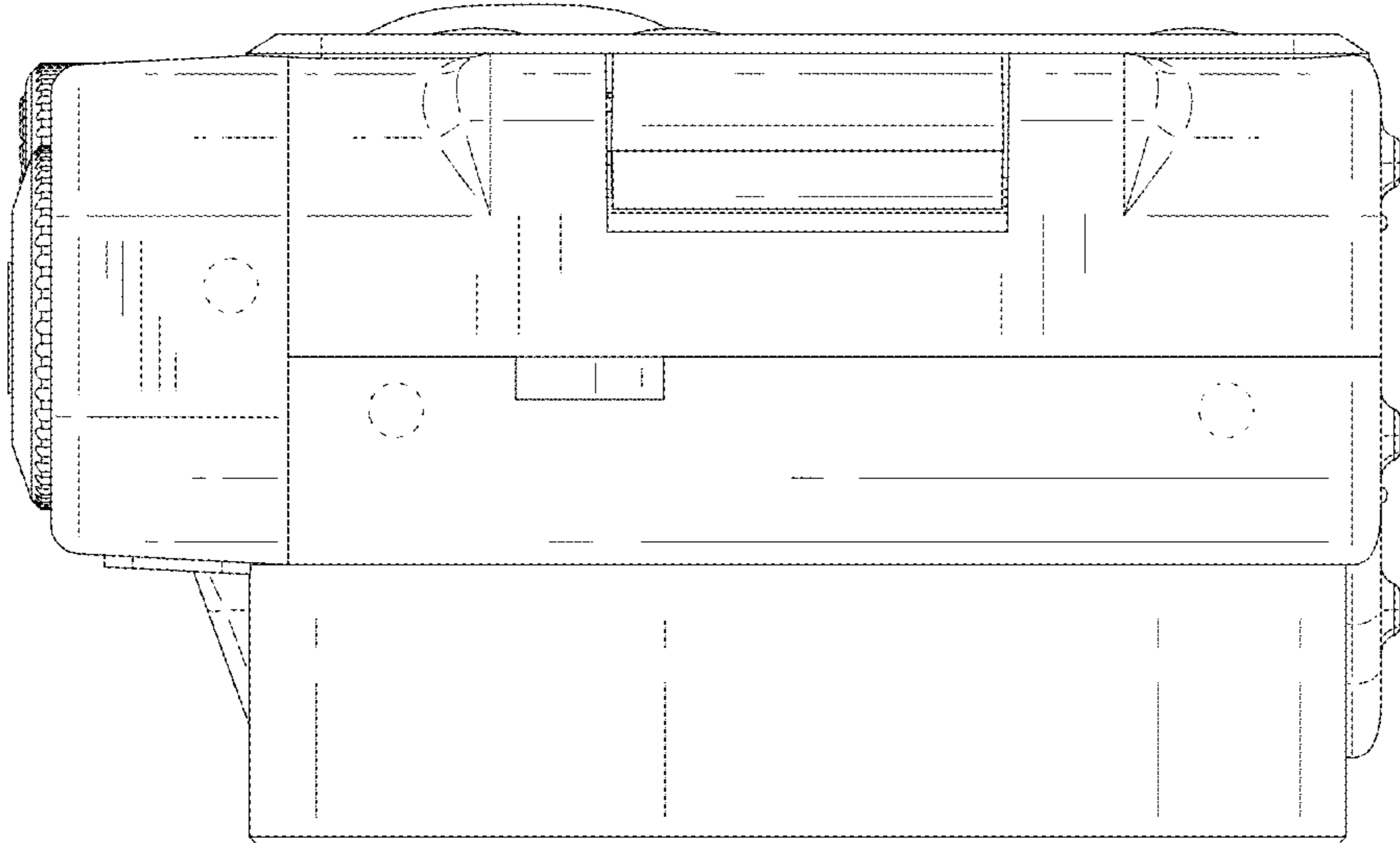


FIG. 6

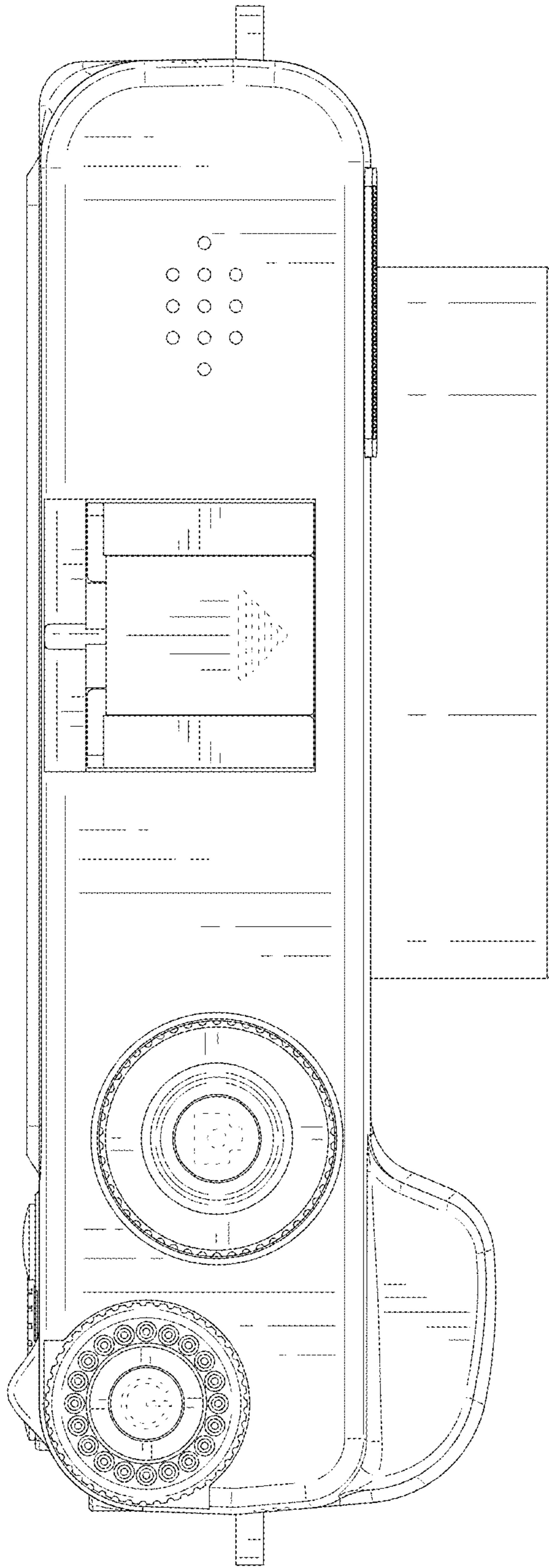


FIG. 7

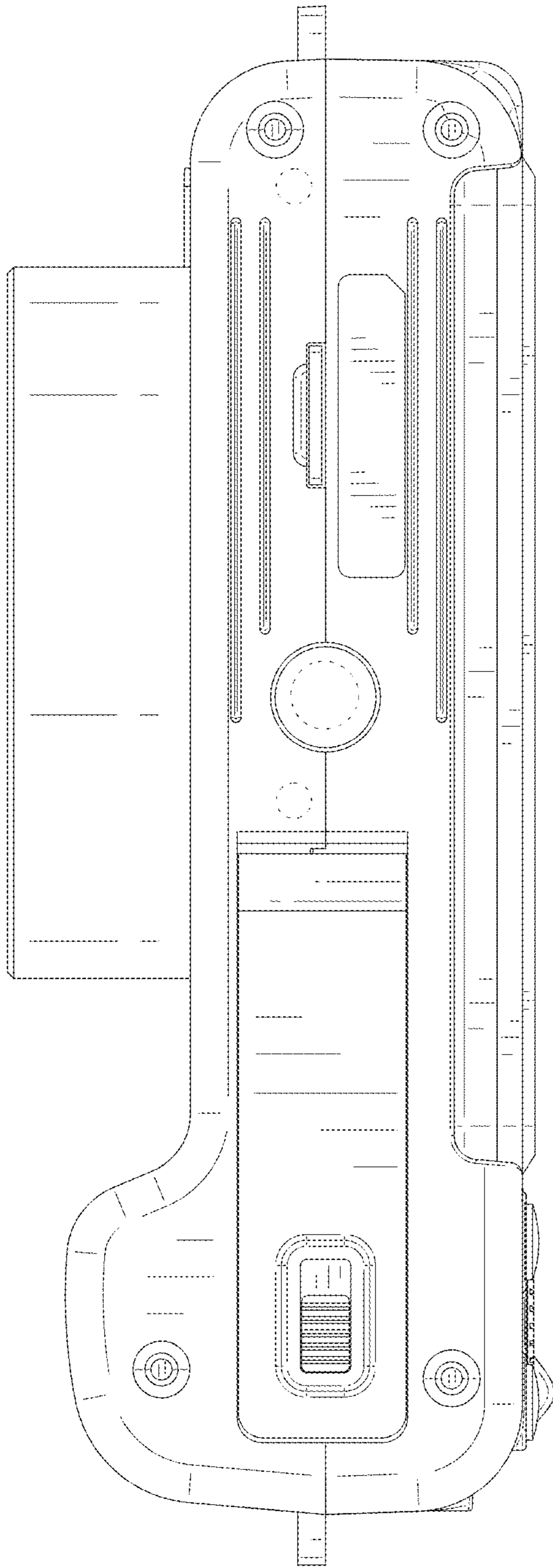


FIG. 8

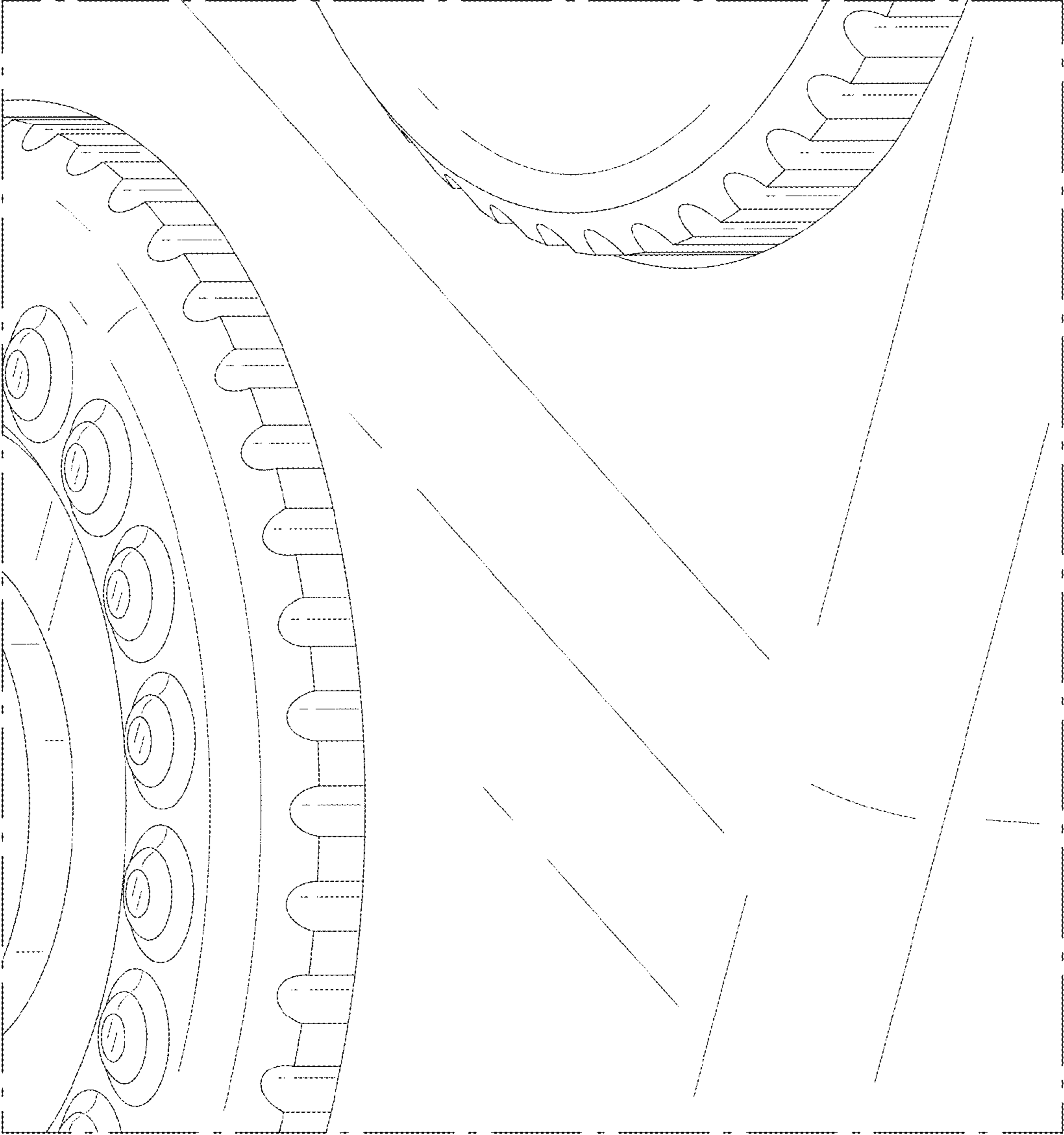


FIG. 9

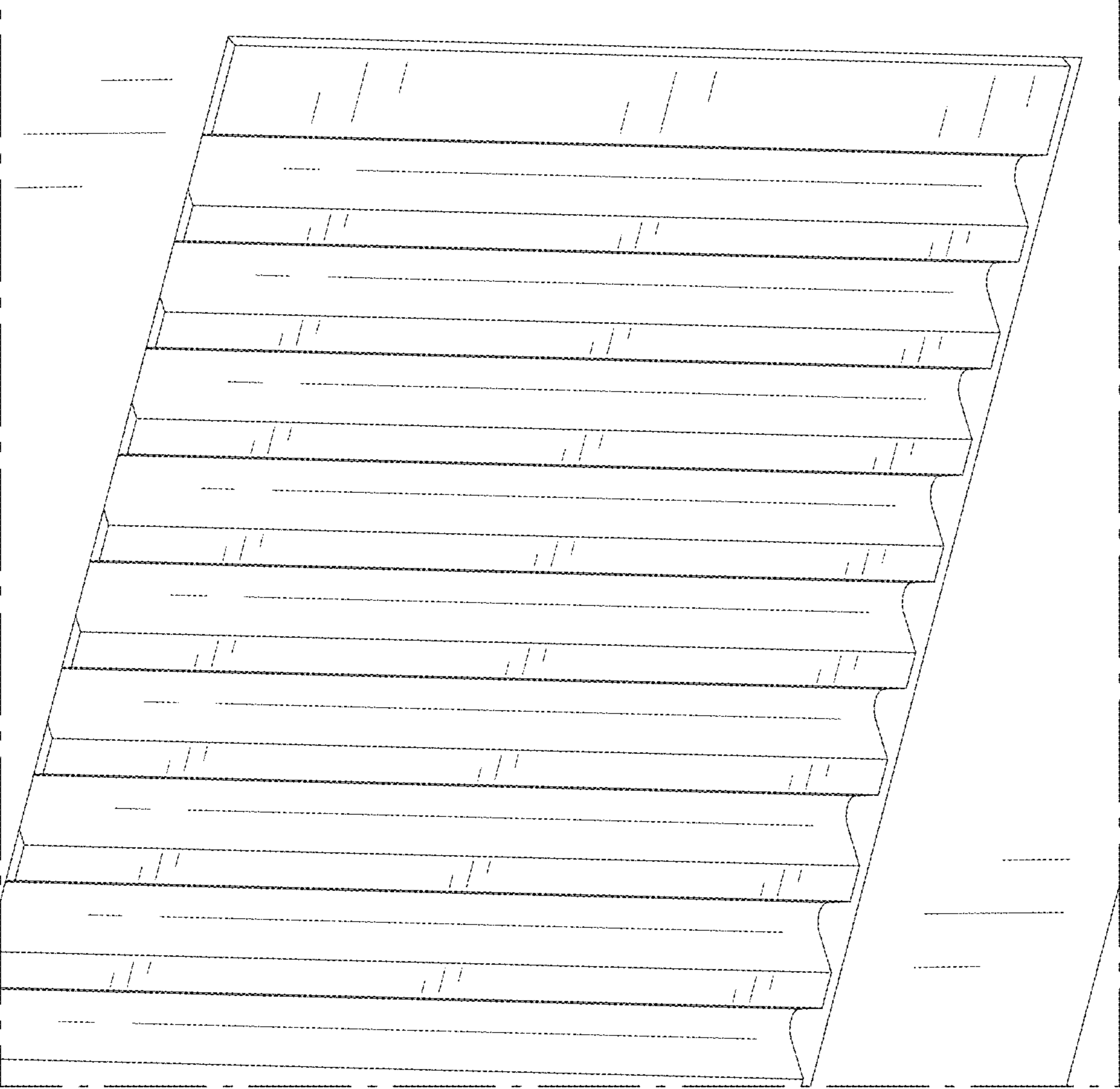


FIG. 10

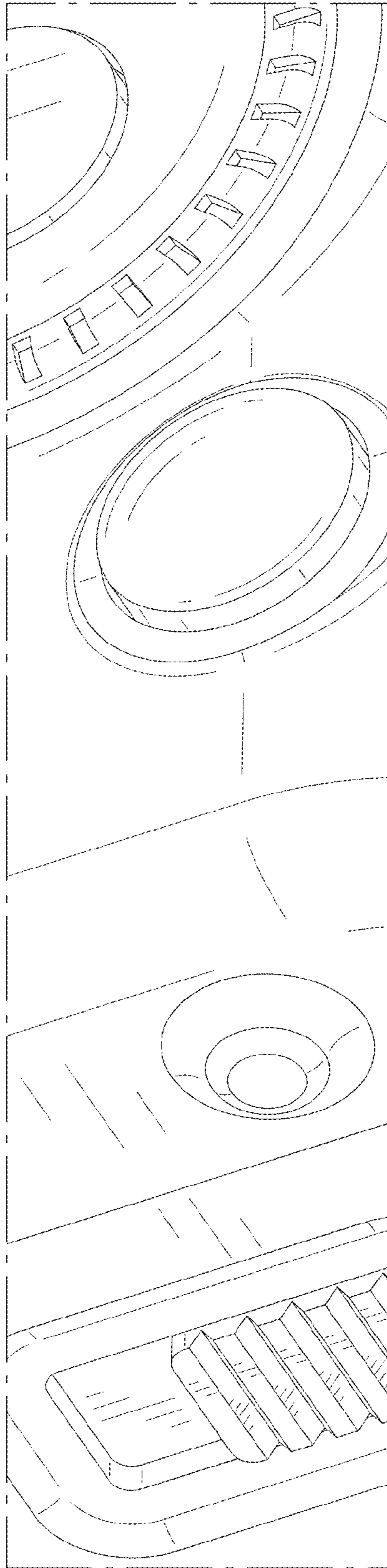


FIG. 11