



US00D985036S

(12) **United States Design Patent**
Pedersen et al.

(10) **Patent No.:** **US D985,036 S**

(45) **Date of Patent:** **** May 2, 2023**

(54) **PART OF AN INDUSTRIAL ROBOT**

(71) Applicant: **GRIPWIQ HOLDING ApS**, Jerup (DK)

(72) Inventors: **Mads Møller Pedersen**, Jerup (DK);
Rene Nørgaard, Støvring (DK)

(73) Assignee: **GRIPWIQ HOLDING ApS**, Jerup (DK)

(**) Term: **15 Years**

(21) Appl. No.: **35/512,131**

(22) Filed: **Jun. 8, 2021**

(80) **Hague Agreement Data**

Int. Filing Date: **Jun. 8, 2021**

Int. Reg. No.: **DM/214945**

Int. Reg. Date: **Jun. 8, 2021**

Int. Reg. Pub. Date: **Jul. 2, 2021**

(51) **LOC (14) Cl.** **15-99**

(52) **U.S. Cl.**

USPC **D15/199**

(58) **Field of Classification Search**

USPC D15/199; D21/576, 578; D24/170, 200,
D24/215

CPC A61B 5/0476; A61B 5/165; A61B 5/4836;
A61H 15/0078; B23K 9/133; B23K
9/287; B25J 9/0018; B25J 19/0025

See application file for complete search history.

(56) **References Cited**

U.S. PATENT DOCUMENTS

D743,647 S * 11/2015 Heck D32/21
D812,663 S * 3/2018 Waters D15/199

D871,478 S * 12/2019 Wang D15/199
D887,468 S * 6/2020 Hirvesaar D15/199
D897,386 S * 9/2020 He D15/199
D936,720 S * 11/2021 Eun A47L 11/00
D15/199
D945,506 S * 3/2022 Abel D15/199
D946,632 S * 3/2022 Yang D15/199

OTHER PUBLICATIONS

“Experts in vacuum grippers for primary and secondary robotic food handling” [online], GRIPWIQ. [Retrieved on Jun. 8, 2022]. Retrieved from the Internet: <<https://gripwiq.com/>>.*

* cited by examiner

Primary Examiner — Mojtaba Tehrani

(74) *Attorney, Agent, or Firm* — Clark & Brody LP

(57) **CLAIM**

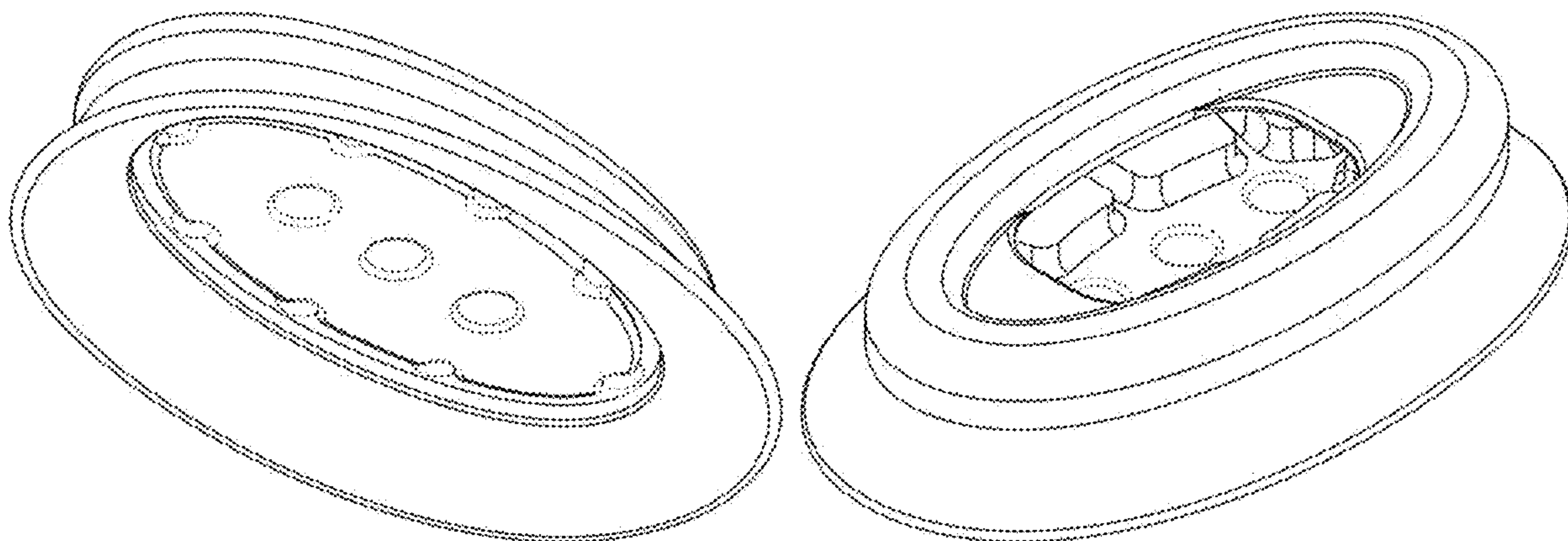
The ornamental design for a part of an industrial robot, as shown and described.

DESCRIPTION

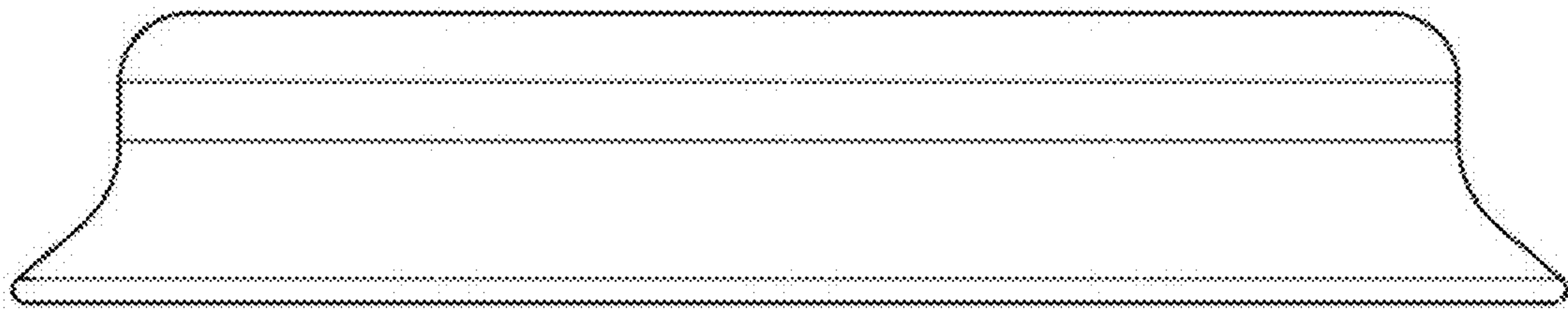
- 2. Part of an industrial robot
- 2.1 : Front
- 2.2 : Top
- 2.3 : Perspective
- 2.4 : Right
- 2.5 : Bottom
- 2.6 : Perspective

The broken lines in the drawings disclose unclaimed portions of the part of an industrial robot only and form no part of the claimed design.

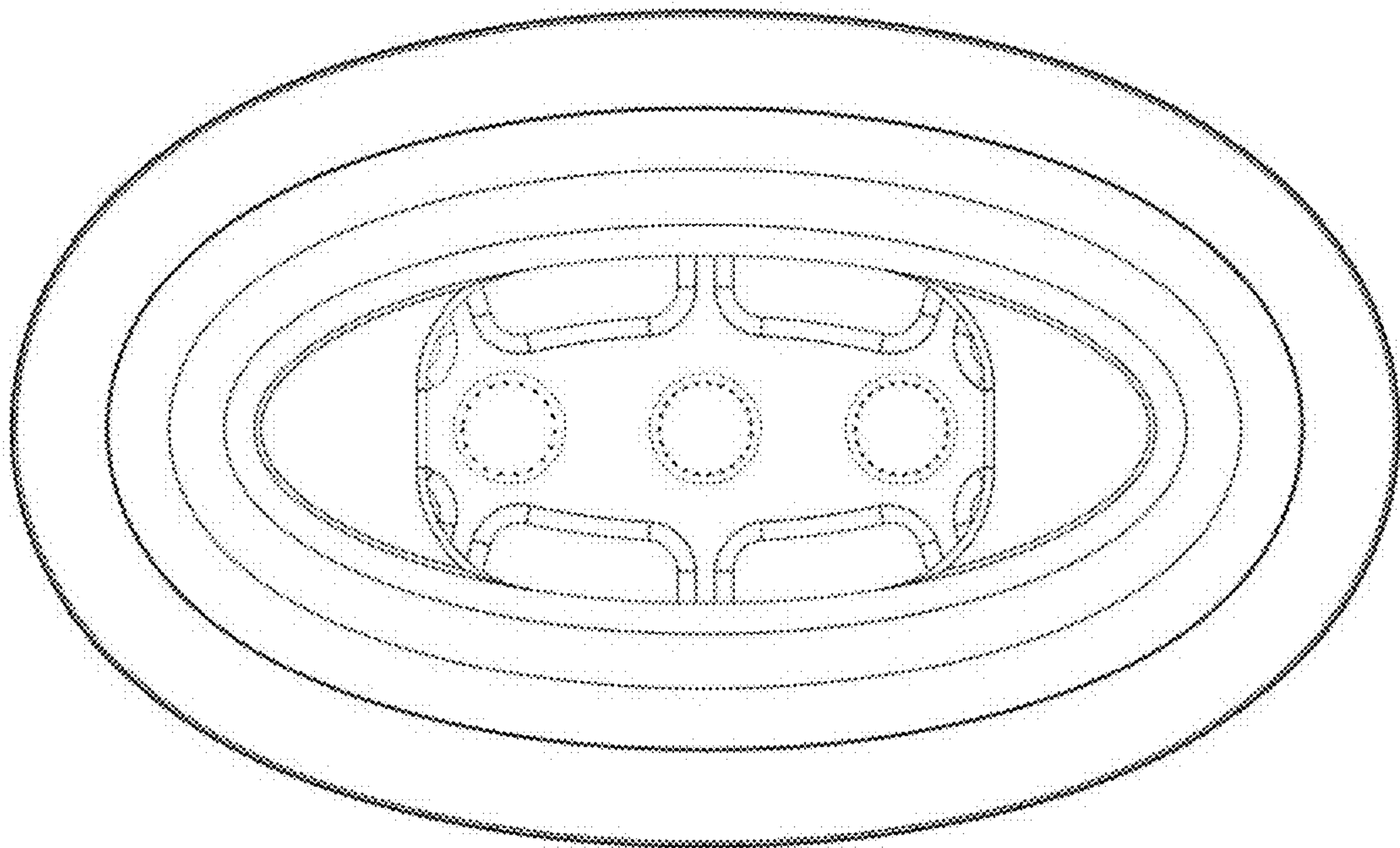
1 Claim, 6 Drawing Sheets



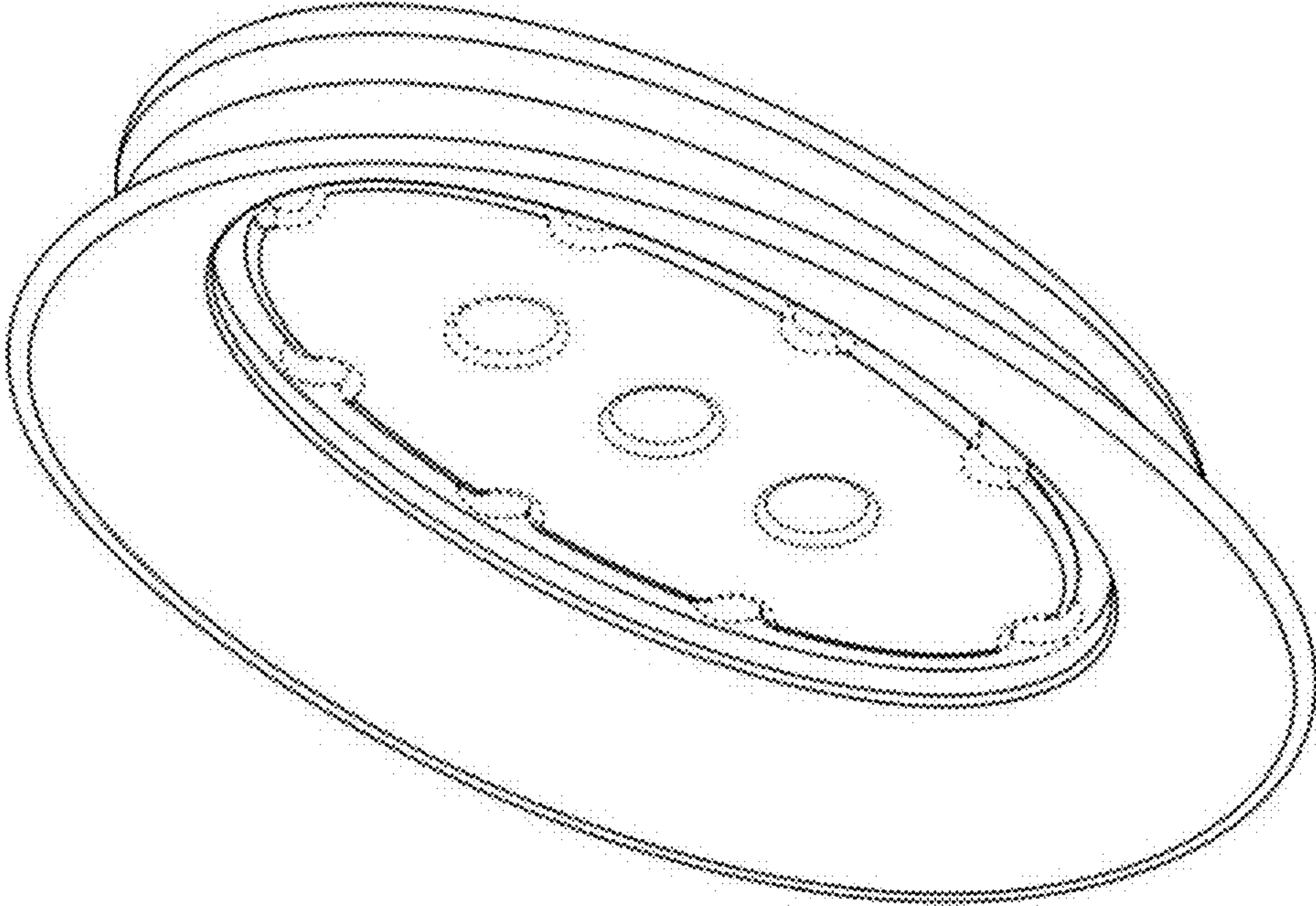
2.1



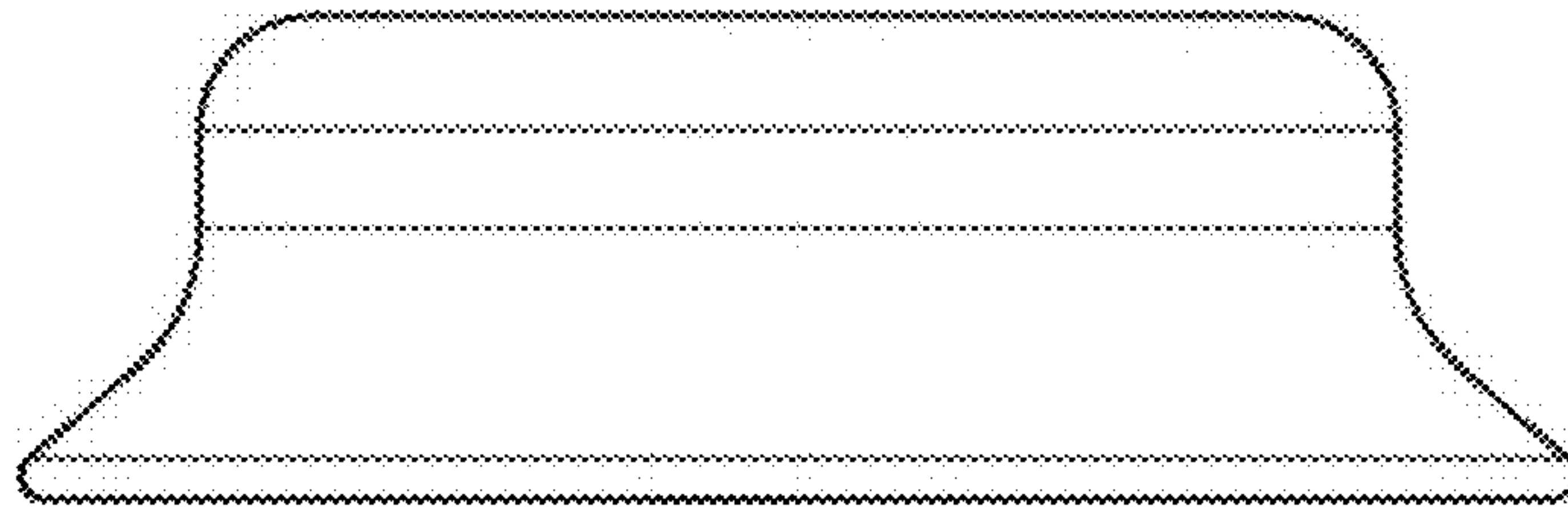
2.2



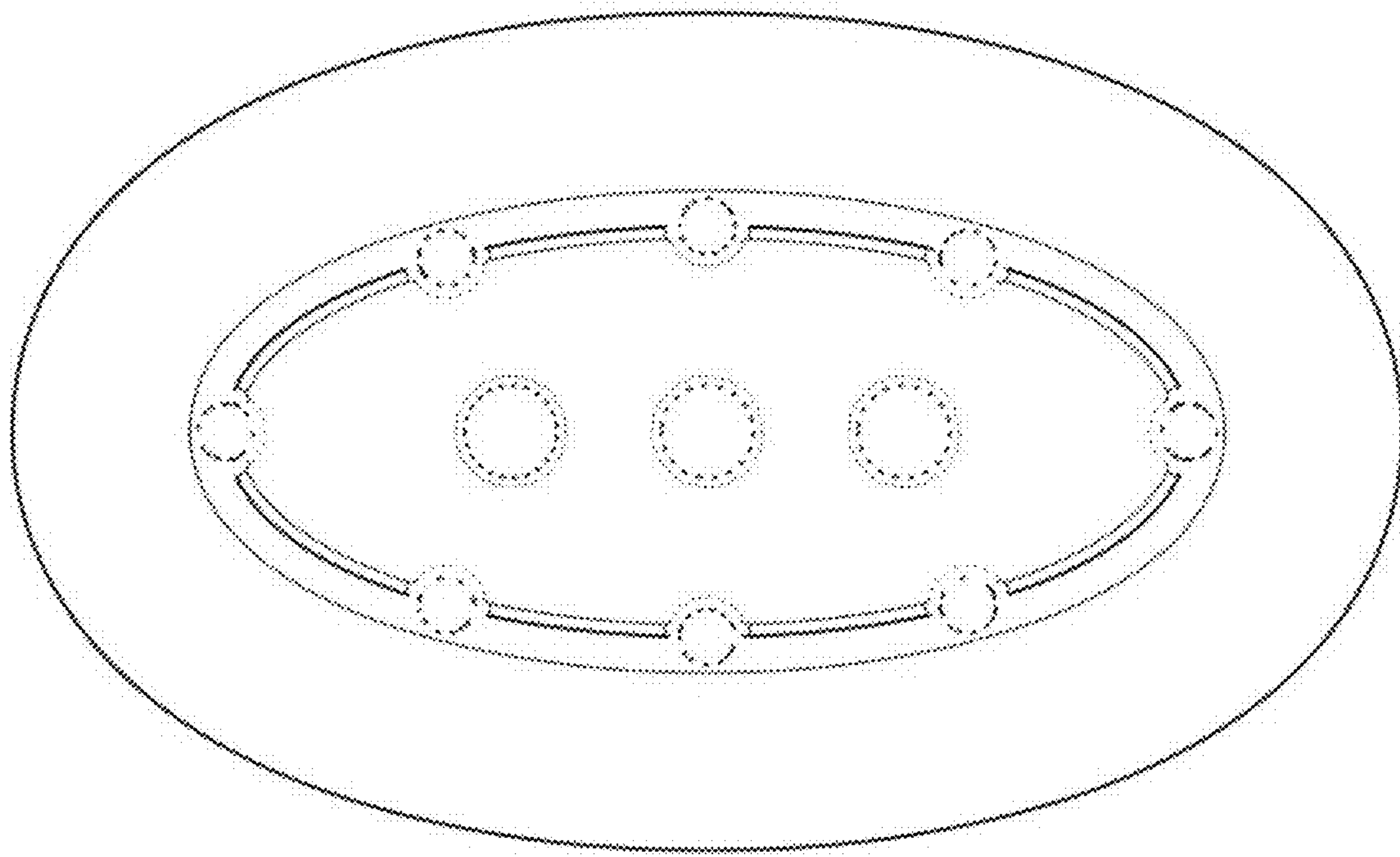
2.3



2.4



2.5



2.6

