



US00D985033S

(12) **United States Design Patent**
Royer et al.

(10) **Patent No.:** **US D985,033 S**

(45) **Date of Patent:** **** May 2, 2023**

- (54) **ACTUATOR**
- (71) Applicant: **Parker-Hannifin Corporation**,
Cleveland, OH (US)
- (72) Inventors: **Matthew C. Royer**, Zimmerman, MN
(US); **James R. Prazak**, St. Paul, MN
(US)
- (73) Assignee: **Parker-Hannifin Corporation**,
Cleveland, OH (US)
- (**) Term: **15 Years**
- (21) Appl. No.: **29/809,069**
- (22) Filed: **Sep. 24, 2021**
- (51) **LOC (14) Cl.** **15-09**
- (52) **U.S. Cl.**
USPC **D15/148**
- (58) **Field of Classification Search**
USPC D13/118, 158, 162, 184; D15/1-5, 7, 9,
D15/143, 148, 149, 199
CPC B66F 3/18; F16H 19/04; F16H 19/039;
H01F 7/066
See application file for complete search history.

- D531,643 S * 11/2006 Tischler D15/7
- D589,543 S * 3/2009 Lin D15/143
- D600,179 S * 9/2009 Schulz D12/180
- D600,180 S * 9/2009 Schulz D12/180
- D623,201 S * 9/2010 Yu D15/7
- D624,098 S * 9/2010 Fukano D15/143
- D638,336 S * 5/2011 Kelpe D12/180
- D649,097 S * 11/2011 Hatano D12/180
- D653,182 S * 1/2012 Hatano D12/180
- 8,161,742 B2 * 4/2012 Sweeney F04B 35/045
60/476
- D659,614 S * 5/2012 Kluck D12/180
- D665,433 S * 8/2012 Beam D15/143
- 8,569,917 B2 * 10/2013 Tang H02K 7/1166
310/68 B
- D715,841 S * 10/2014 Comben D15/143
- D726,652 S * 4/2015 Maurer D13/123
- 9,228,646 B2 * 1/2016 Geppert F16H 25/12

(Continued)

Primary Examiner — Patricia A Palasik

(74) *Attorney, Agent, or Firm* — Renner, Otto, Boisselle
& Sklar, LLP

(57) **CLAIM**

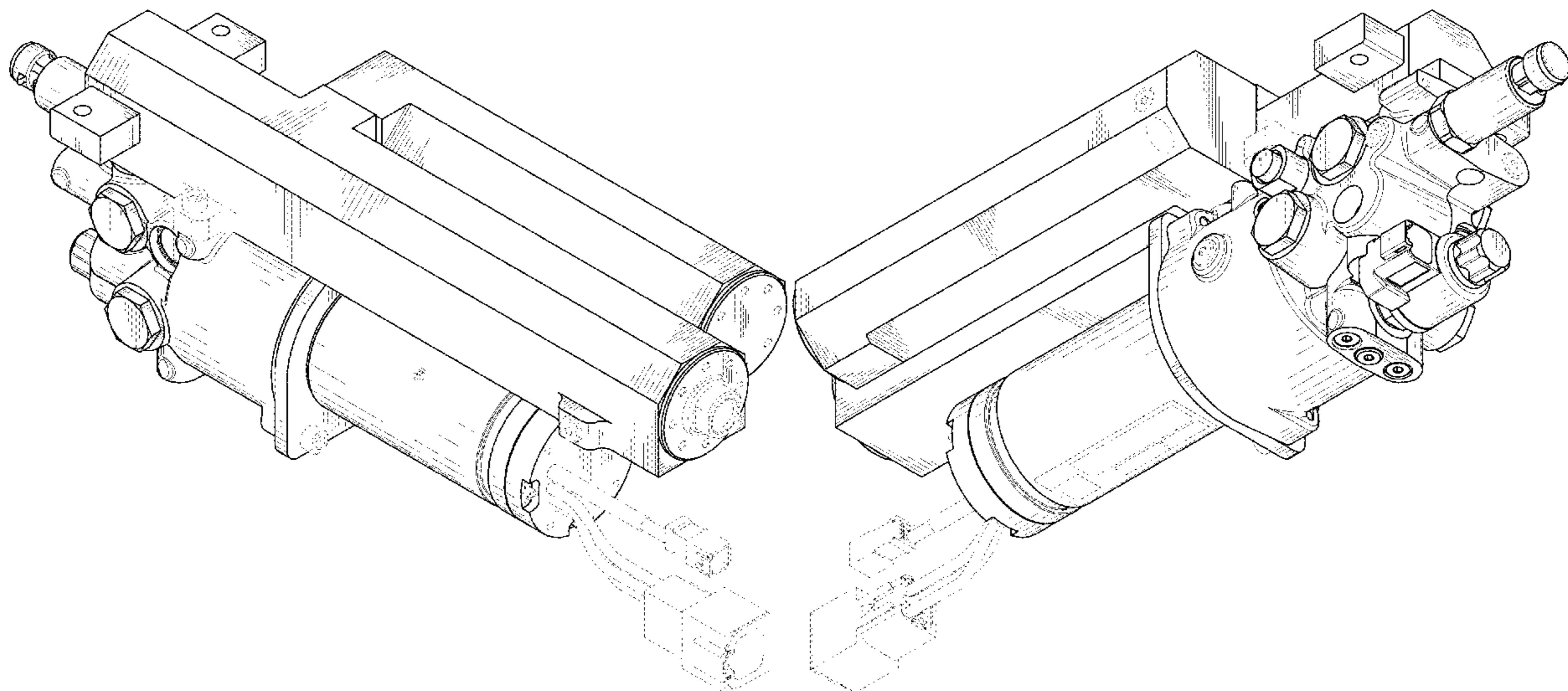
The ornamental design for an actuator, as shown and described.

DESCRIPTION

FIG. 1 is a top, left, front perspective view of an actuator showing our new design;
 FIG. 2 is a bottom, right, rear perspective view thereof;
 FIG. 3 is a front elevation view thereof;
 FIG. 4 is a rear elevation view thereof;
 FIG. 5 is a left side elevation view thereof;
 FIG. 6 is a right side elevation view thereof;
 FIG. 7 is a top plan view thereof; and,
 FIG. 8 is a bottom plan view thereof.
 The broken line showing is for the purpose of illustrating portions of the actuator and forms no part of the claimed design.

1 Claim, 7 Drawing Sheets

- (56) **References Cited**
U.S. PATENT DOCUMENTS
- D137,967 S * 5/1944 Lear 254/103
- D140,204 S * 1/1945 Lear 74/606 R
- D140,211 S * 1/1945 Lear D13/112
- D140,493 S * 2/1945 Wehner 74/1 R
- D140,589 S * 3/1945 Bruland D12/345
- D143,080 S * 12/1945 Lear et al. D12/345
- D412,918 S * 8/1999 Nagai D15/199
- 6,892,625 B2 * 5/2005 Blackman F16J 10/02
92/255
- D521,598 S * 5/2006 Bates D23/233
- D521,599 S * 5/2006 Bates D23/233
- D523,880 S * 6/2006 Christensen D15/143



(56)

References Cited

U.S. PATENT DOCUMENTS

9,404,545	B2 *	8/2016	Bohn	F04B 39/121
D776,729	S *	1/2017	Wu	D15/143
D778,968	S *	2/2017	Lück	D15/143
9,611,922	B2 *	4/2017	Kohlmeyer	F16H 25/20
9,726,202	B2 *	8/2017	Tsutsui	F04B 53/10
D819,101	S *	5/2018	Ishikawa	D15/148
D829,792	S *	10/2018	Matsutou	D15/148
D846,012	S *	4/2019	Ishikawa	D13/158
D851,147	S *	6/2019	Knudsen	D15/148
D855,670	S *	8/2019	Zhuang	D15/148
D856,279	S *	8/2019	Chen	D15/148
D860,278	S *	9/2019	Knudsen	D15/148
D872,149	S *	1/2020	Hirabayashi	D15/148
D912,709	S *	3/2021	Shen	D15/143
D925,631	S *	7/2021	Knudsen	D15/148
D947,799	S *	4/2022	Loussert	D13/174

* cited by examiner

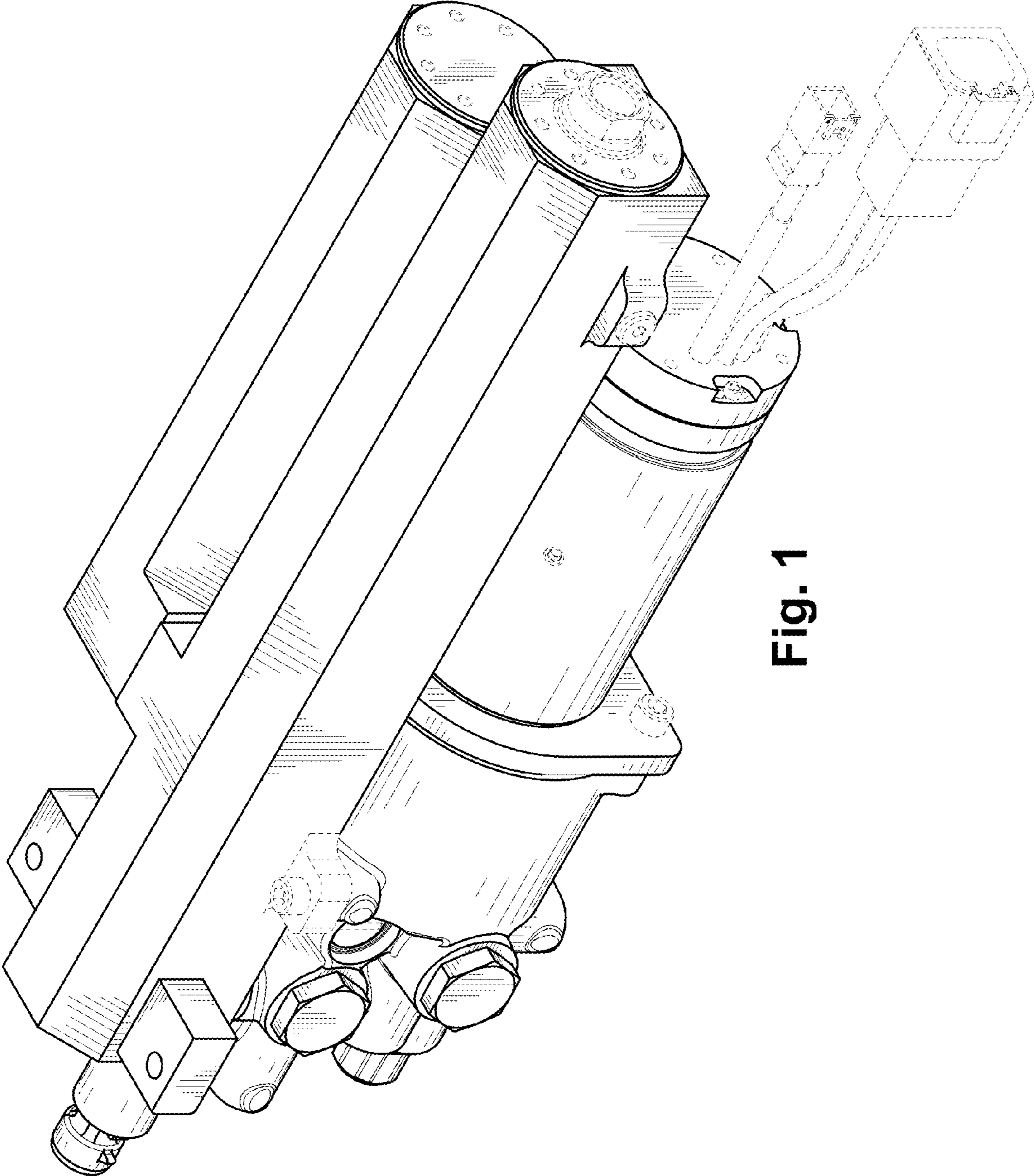


Fig. 1

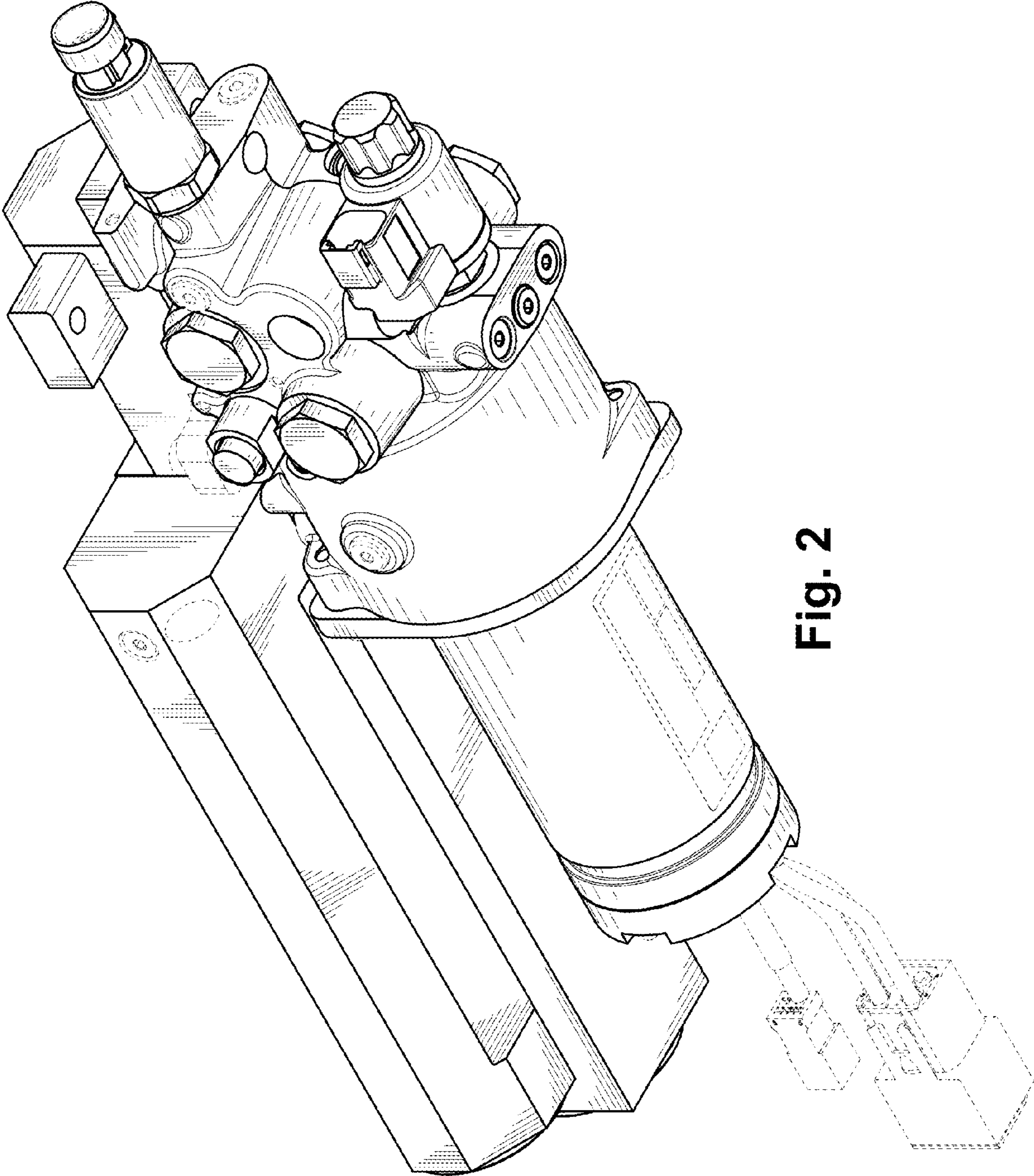


Fig. 2

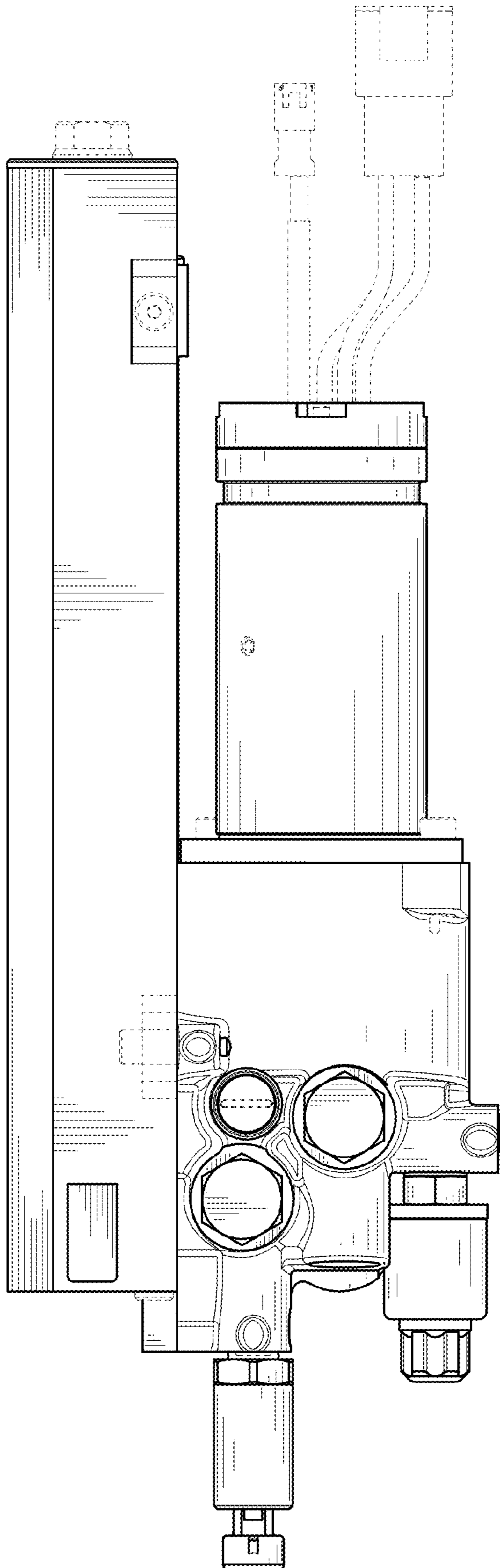


Fig. 3

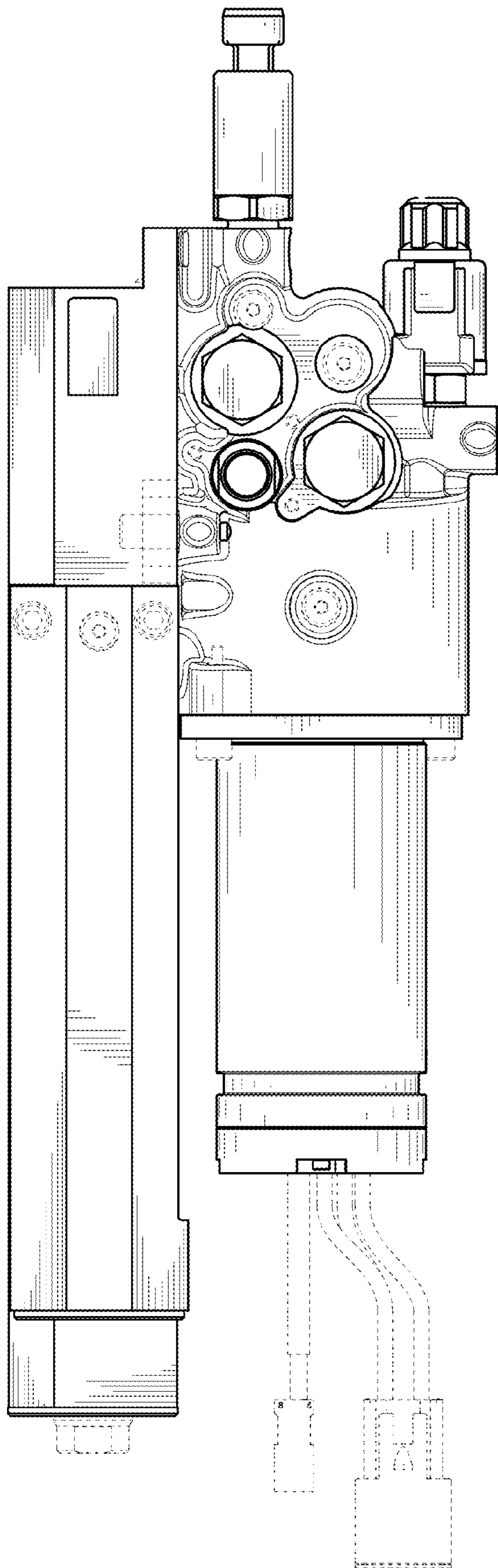


Fig. 4

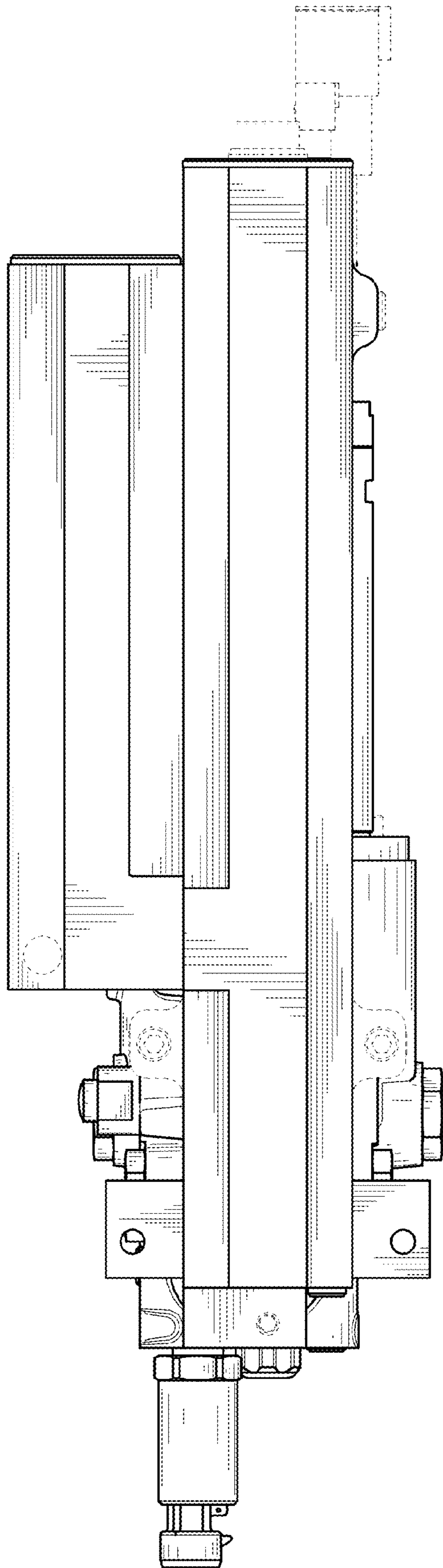


Fig. 5

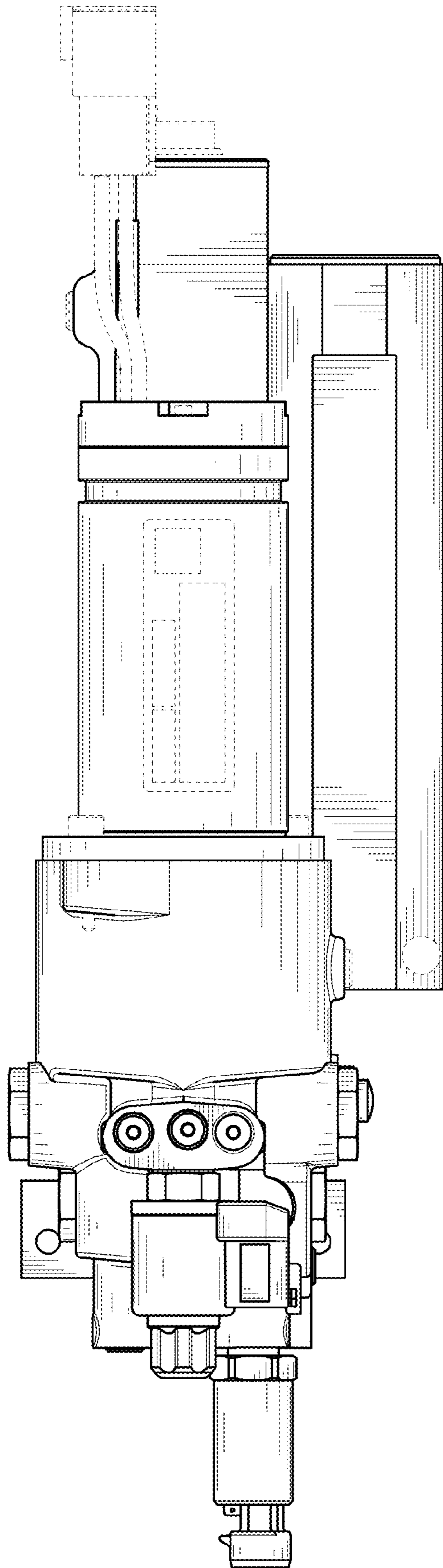


Fig. 6

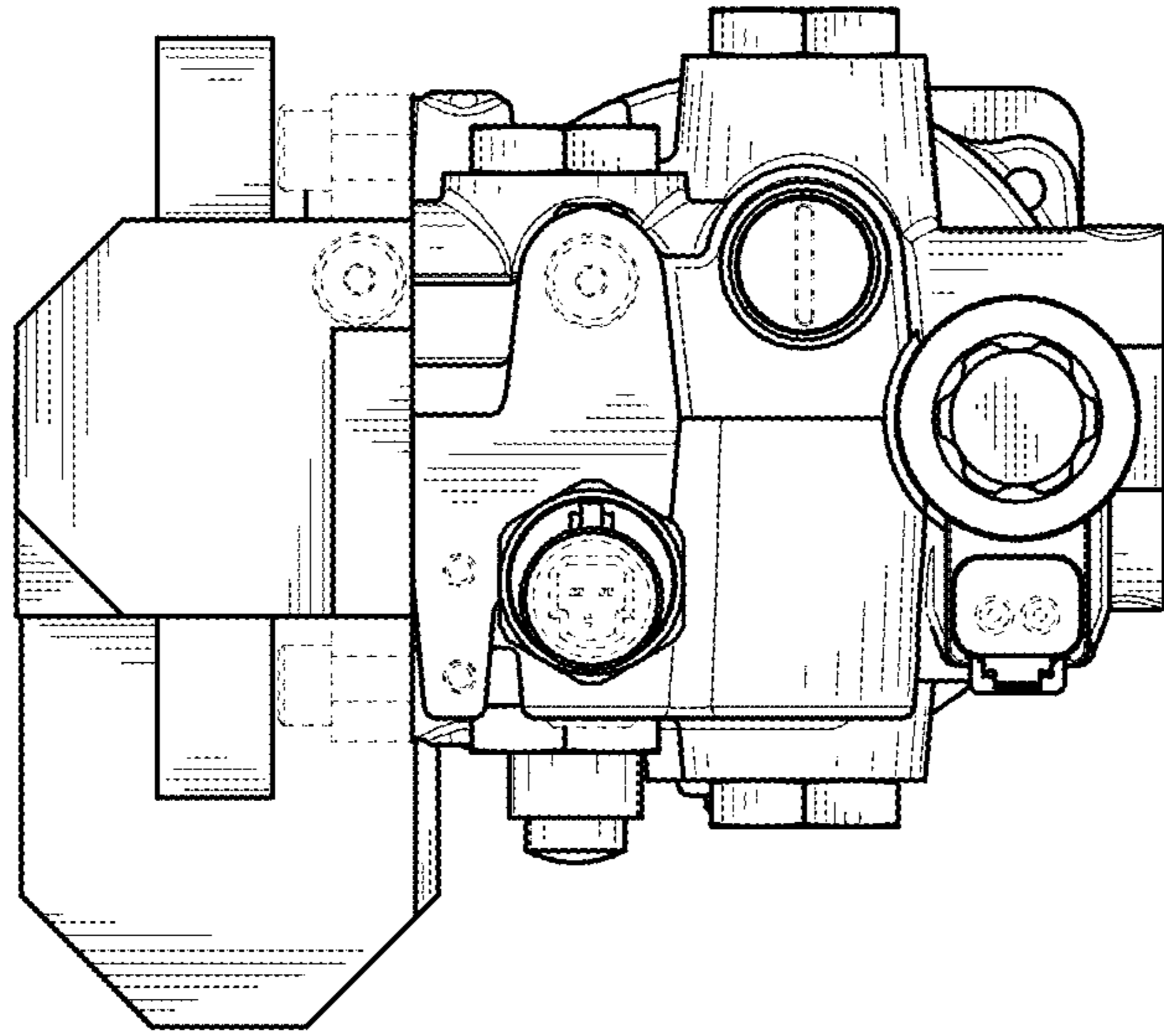


Fig. 8

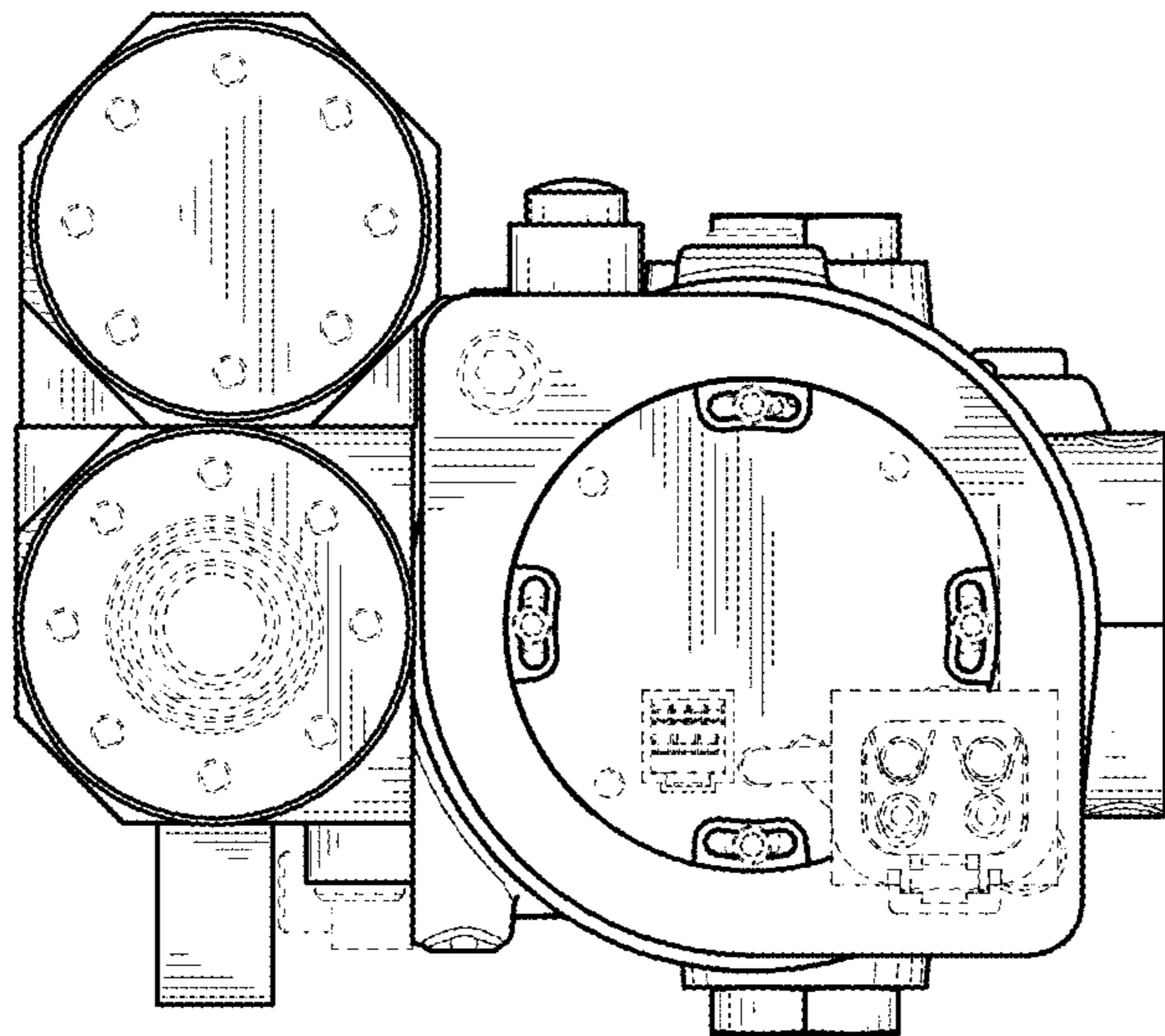


Fig. 7