



US00D985031S

(12) **United States Design Patent**
Shor et al.

(10) **Patent No.:** **US D985,031 S**

(45) **Date of Patent:** **** May 2, 2023**

(54) **BUSHING**

(71) Applicant: **NeuroDerm, Ltd.**, Rehovot (IL)

(72) Inventors: **Eran Shor**, Tel Aviv (IL); **Tsabar Mor**,
Adi (IL); **Nir Lilach**, Kfar Yehoshua
(IL); **Rami Grossfeld**, Haifa (IL); **Yoav**
Tikochinsky, Tel Aviv (IL); **Serdar**
Ozsumer, Milan (IT)

(73) Assignee: **NeuroDerm, Ltd.**, Rehovot (IL)

(**) Term: **15 Years**

(21) Appl. No.: **29/779,154**

(22) Filed: **Apr. 16, 2021**

(51) **LOC (14) Cl.** **15-09**

(52) **U.S. Cl.**
USPC **D15/143**

(58) **Field of Classification Search**
USPC D8/350, 352, 353, 354, 356, 397, 399;
D13/120; D15/122, 138, 143
CPC F16C 27/02; F16C 17/02; F16C 33/046;
Y10T 16/05
See application file for complete search history.

(56) **References Cited**

U.S. PATENT DOCUMENTS

D57,407 S *	3/1921	Walker	D23/269
D227,397 S *	6/1973	Steinke	D15/143
D277,454 S *	2/1985	Meinhardt	D13/154
D341,145 S *	11/1993	Esworthy	D15/143
D357,030 S *	4/1995	McKenna	D15/143
D364,084 S *	11/1995	Yaich	D8/356
D392,547 S *	3/1998	Nakamura	D8/356
D403,949 S *	1/1999	Nakamura	D8/356
D436,022 S *	1/2001	Arnold	D8/358
D458,285 S *	6/2002	Votruba	D15/143

D699,051 S *	2/2014	Wills	D6/580
D721,652 S *	1/2015	Smith	D13/149
D722,966 S *	2/2015	Smith	D13/149
D733,064 S *	6/2015	Smith	D13/149
D733,558 S *	7/2015	Wyne	D9/447
D749,047 S *	2/2016	Smith	D13/149
D751,265 S *	3/2016	Bromm	D34/27
D775,710 S *	1/2017	Kim	D22/137
D802,033 S *	11/2017	Waterman	D15/143
D861,756 S *	10/2019	Pop	D15/143
D899,567 S *	10/2020	Ball	D23/259
D906,255 S *	12/2020	Yamaguchi	D13/149
D908,096 S *	1/2021	Smith	D13/149
D921,852 S *	6/2021	Ball	D23/259
D944,203 S *	2/2022	Varatharajah	D13/120
D944,737 S *	3/2022	Varatharajah	D13/120
D945,619 S *	3/2022	Zatta	D15/143
D956,522 S *	7/2022	Smith	D8/354

* cited by examiner

Primary Examiner — Michael C Stout

Assistant Examiner — Fitzgerald L Butac

(74) *Attorney, Agent, or Firm* — Goodwin Procter LLP

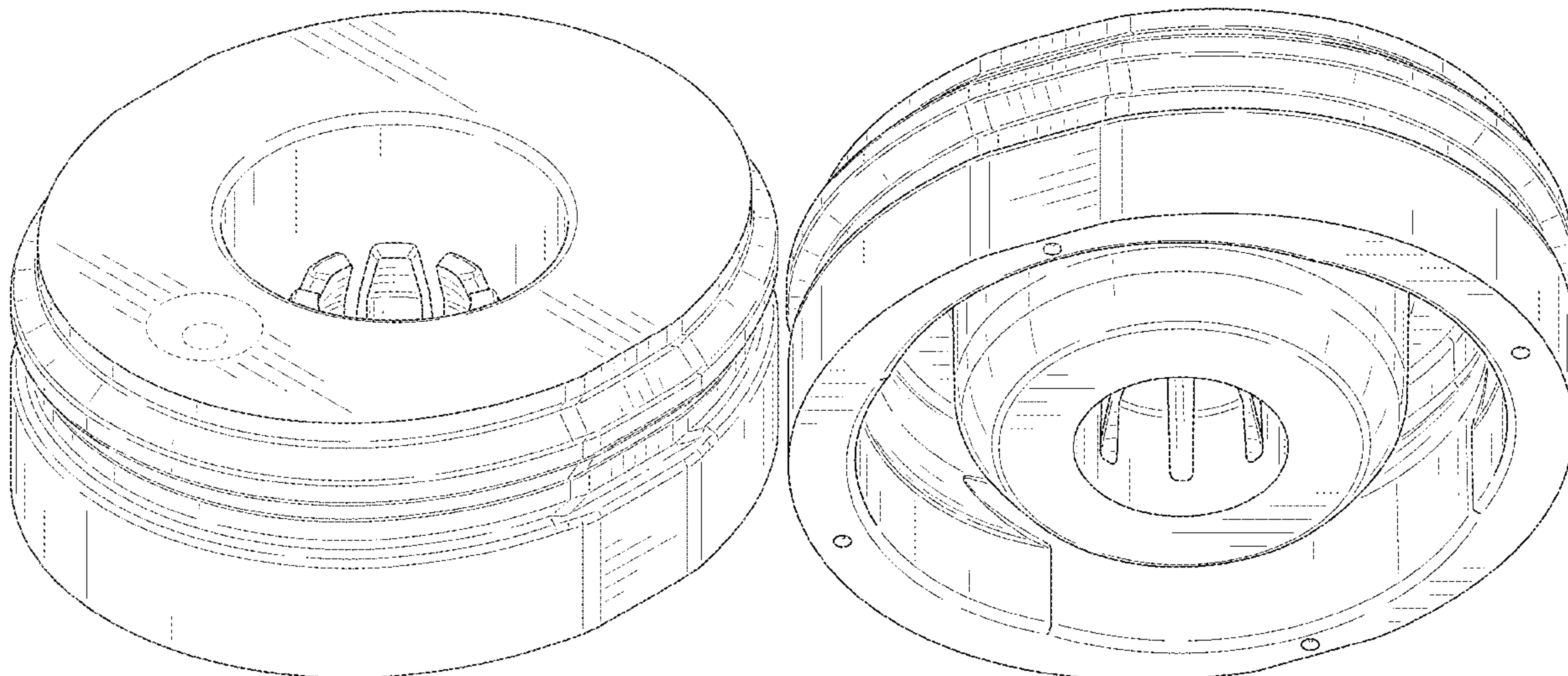
(57) **CLAIM**

The ornamental design for the bushing, as shown and described.

DESCRIPTION

FIG. 1 is a front perspective view of a bushing;
FIG. 2 is a front view of the bushing;
FIG. 3 is a rear view of the bushing;
FIG. 4 is a right side view of the bushing;
FIG. 5 is a left side view of the bushing;
FIG. 6 is a top view of the bushing;
FIG. 7 is a bottom view of the bushing; and,
FIG. 8 is a rear perspective view of the bushing.
The broken lines shown in the drawings illustrate the environment of the claimed design and form no part thereof.

1 Claim, 6 Drawing Sheets



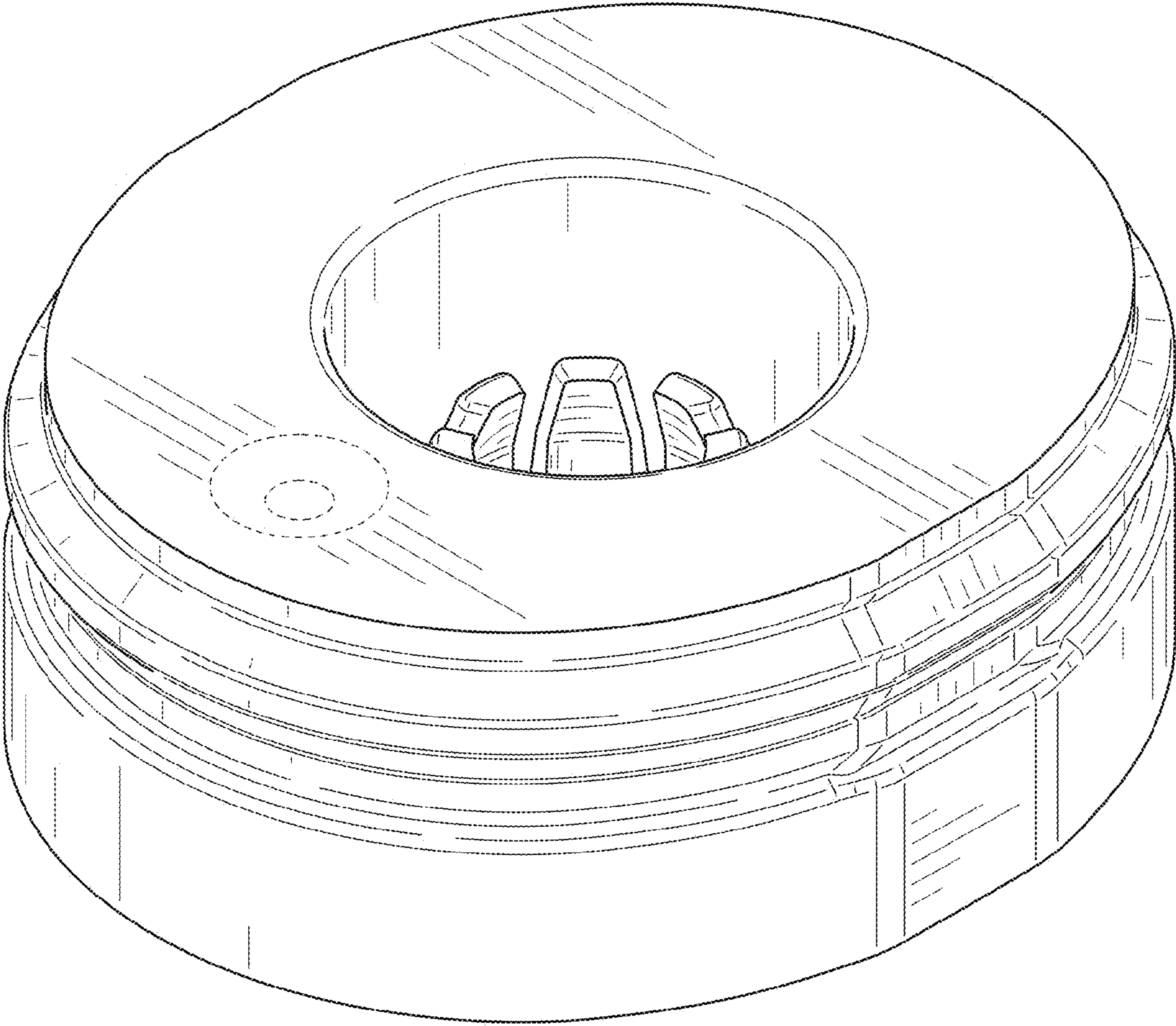


FIG. 1

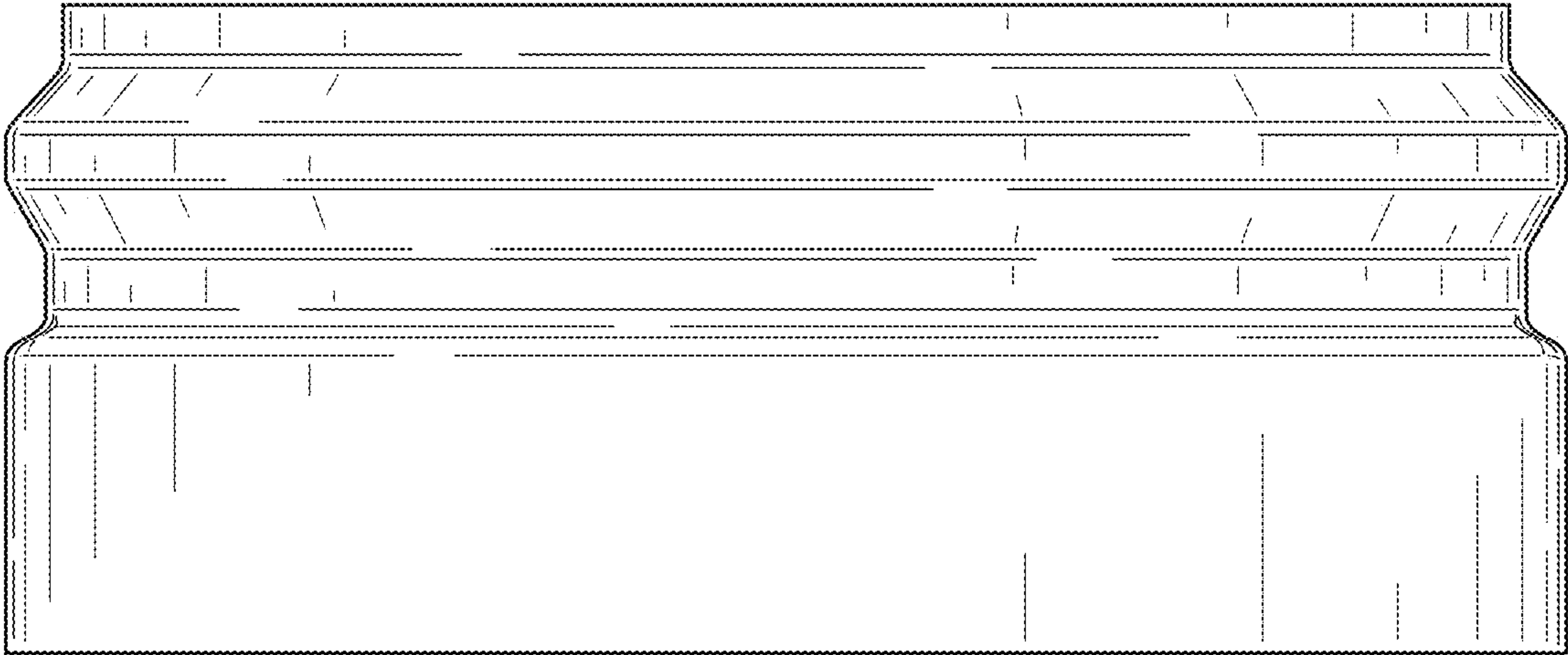


FIG. 2

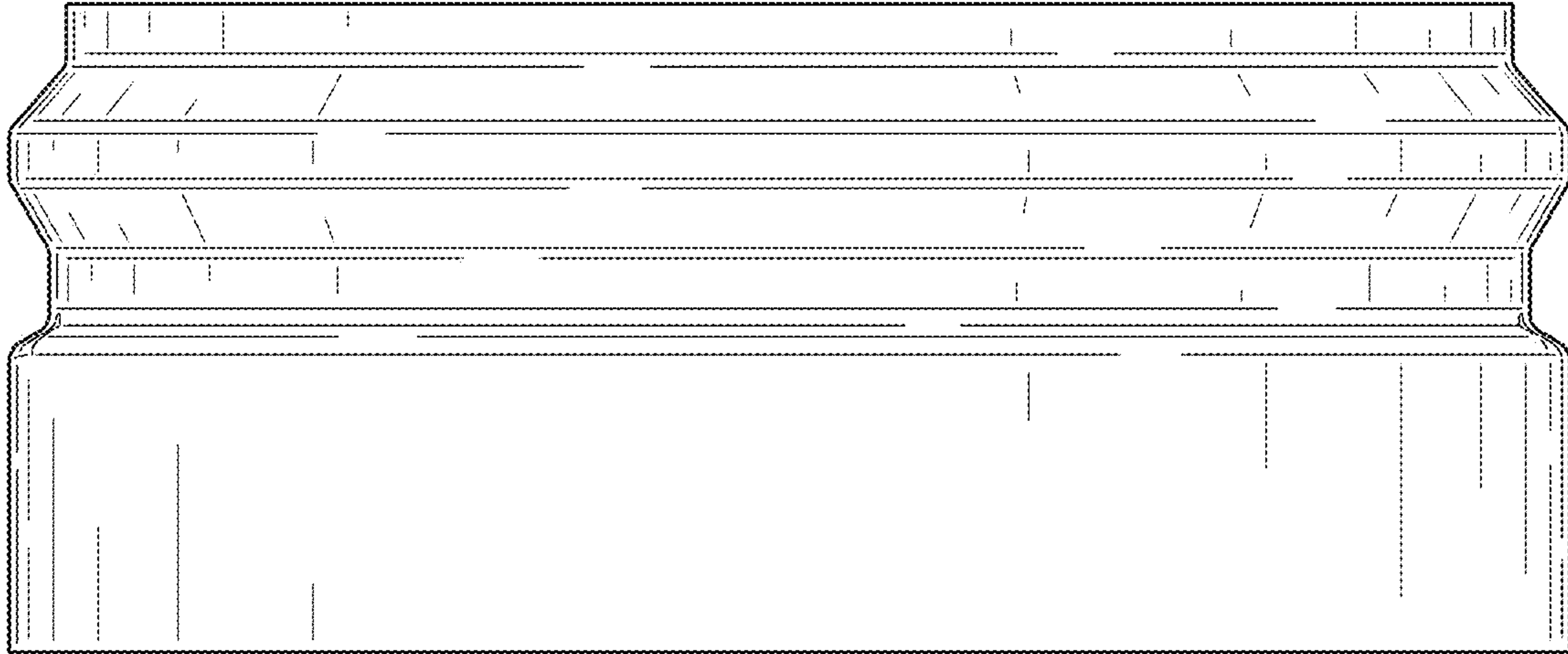


FIG. 3

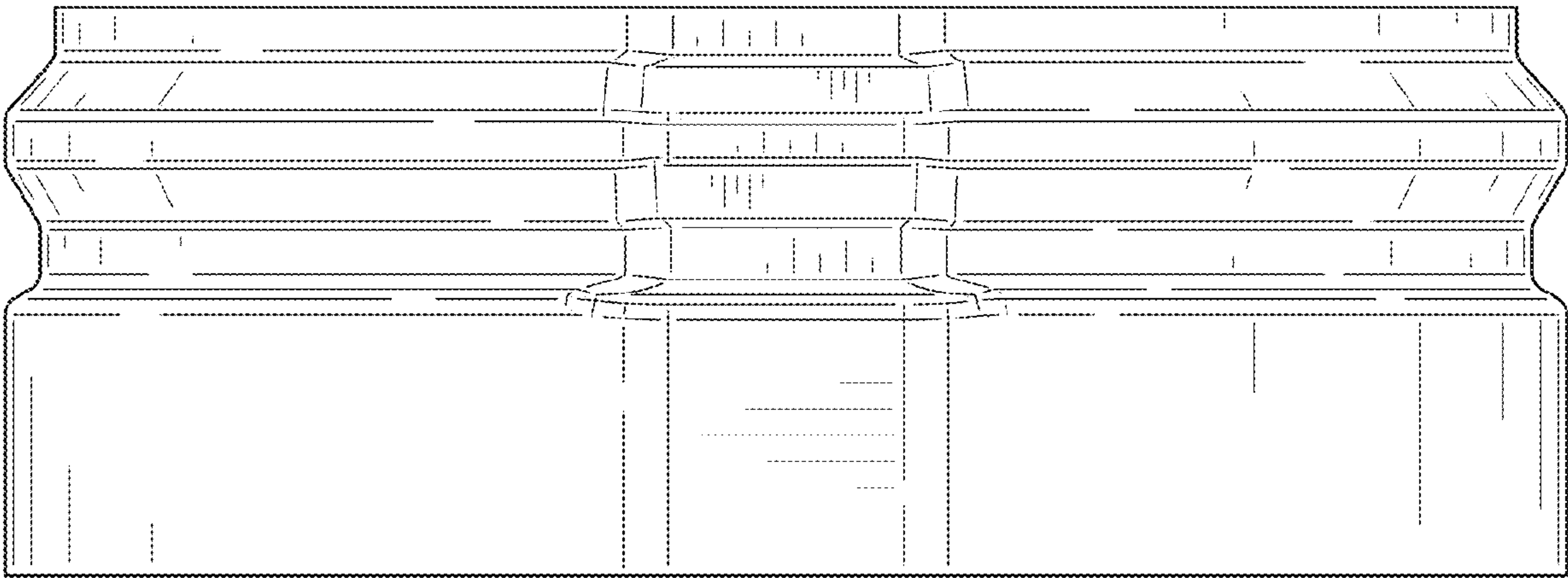


FIG. 4

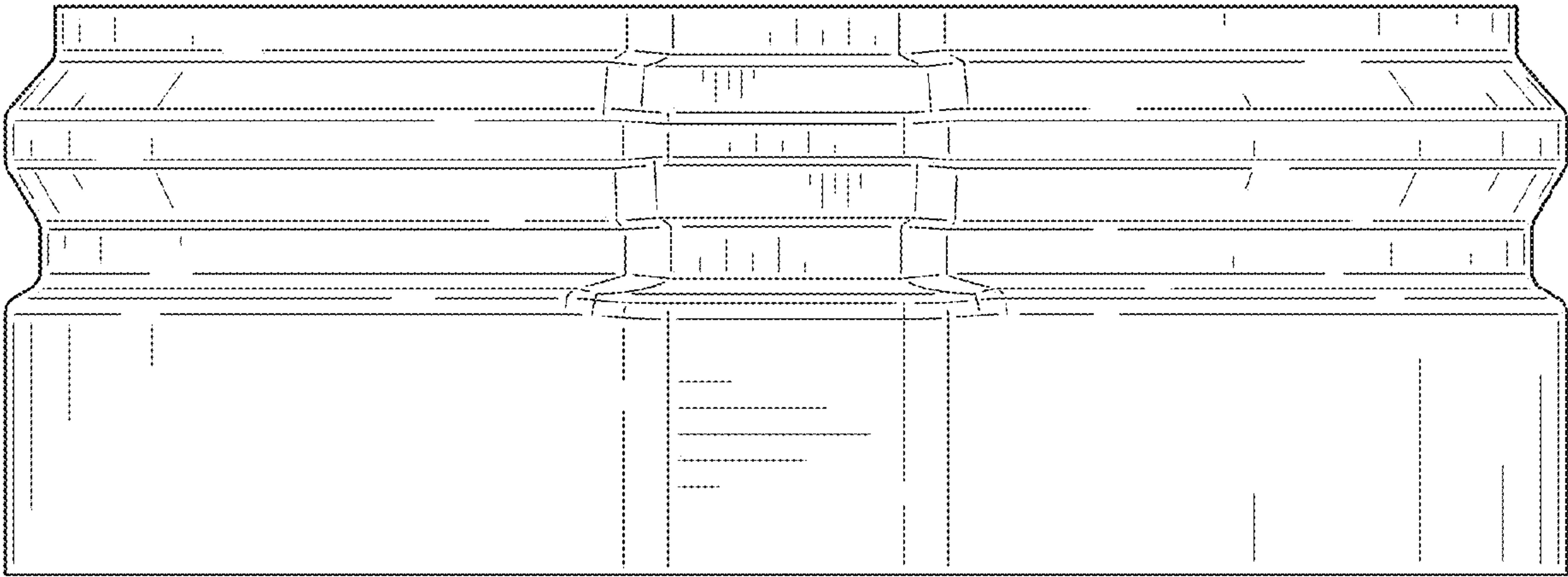


FIG. 5

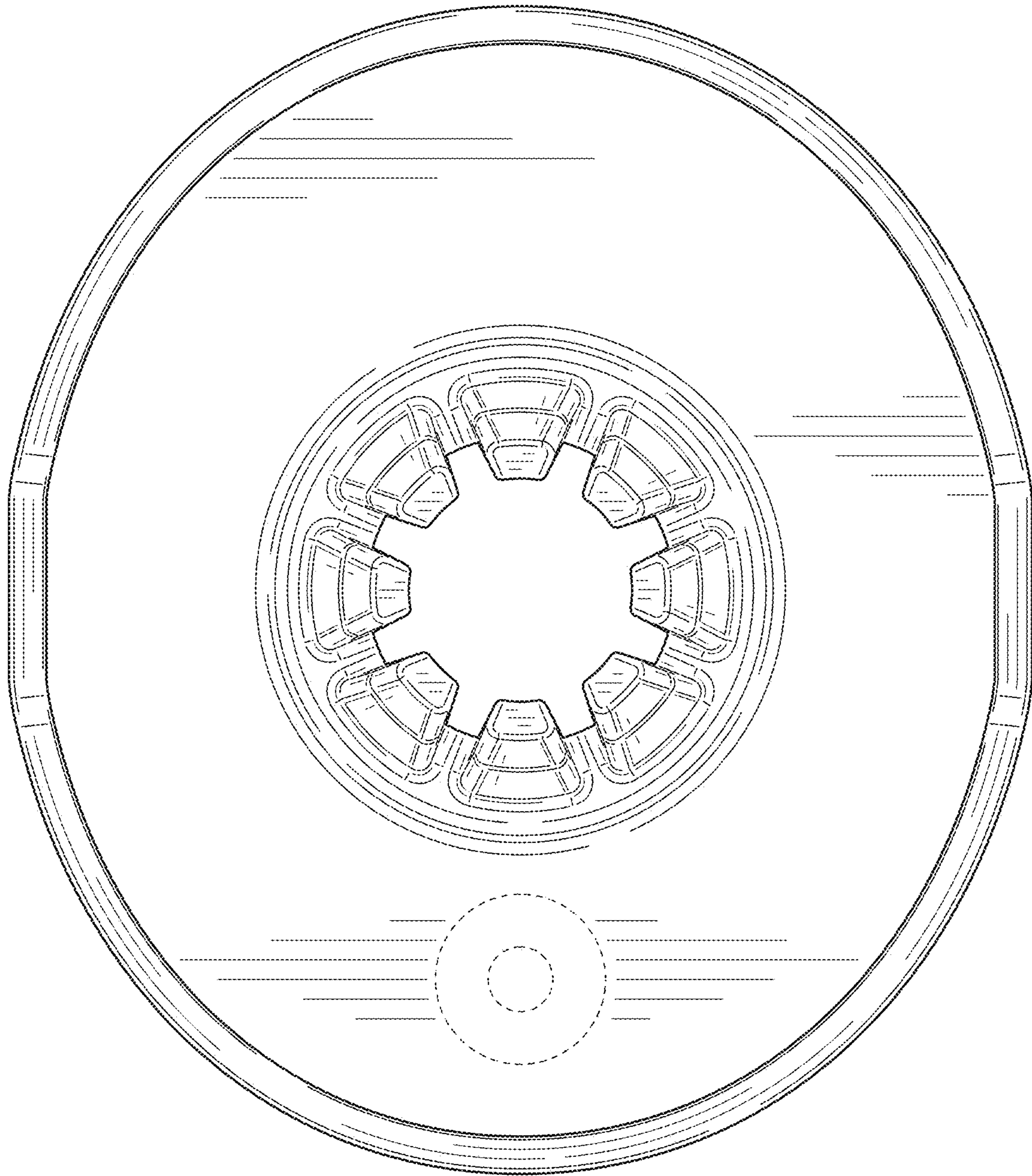


FIG. 6

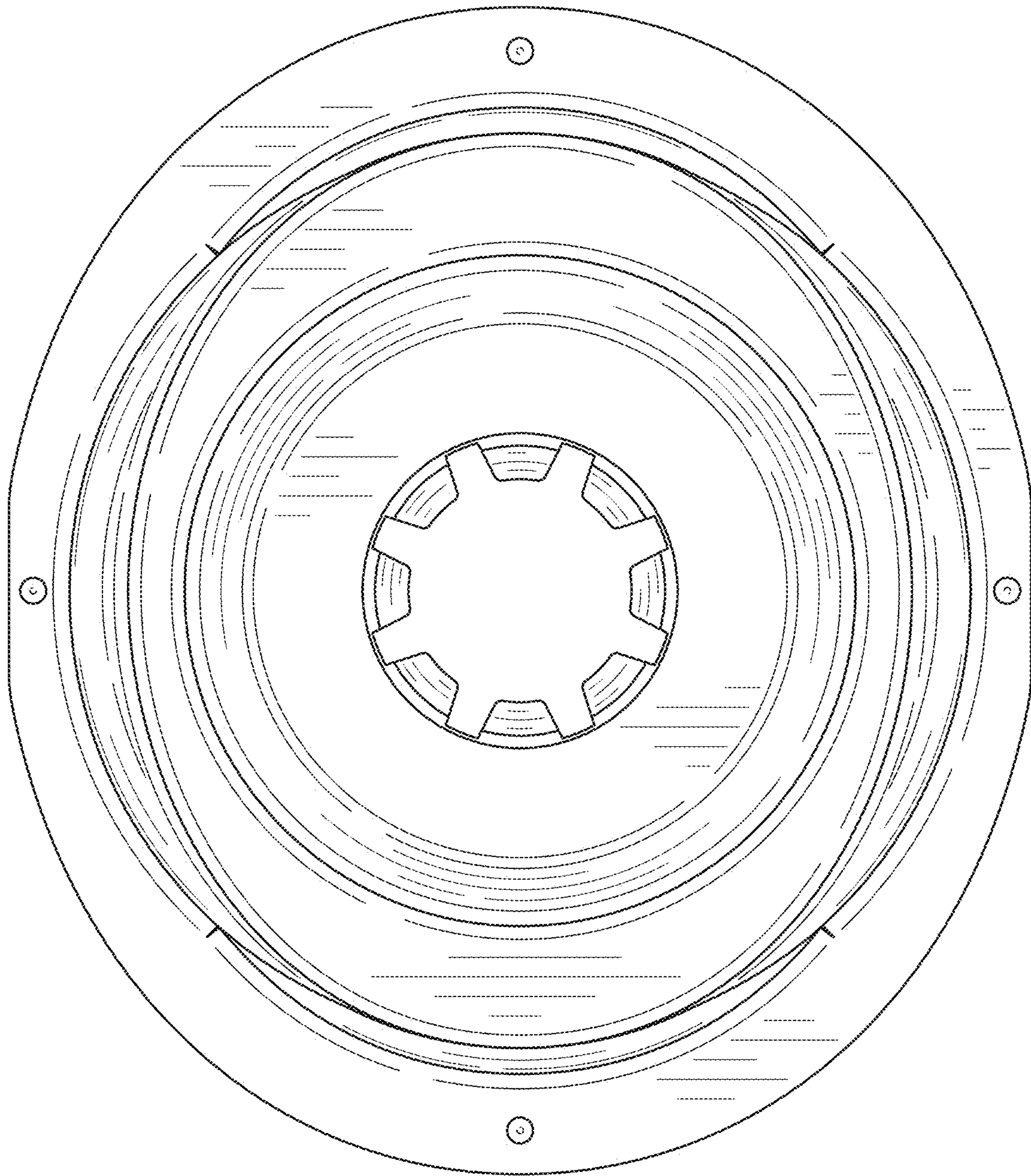


FIG. 7

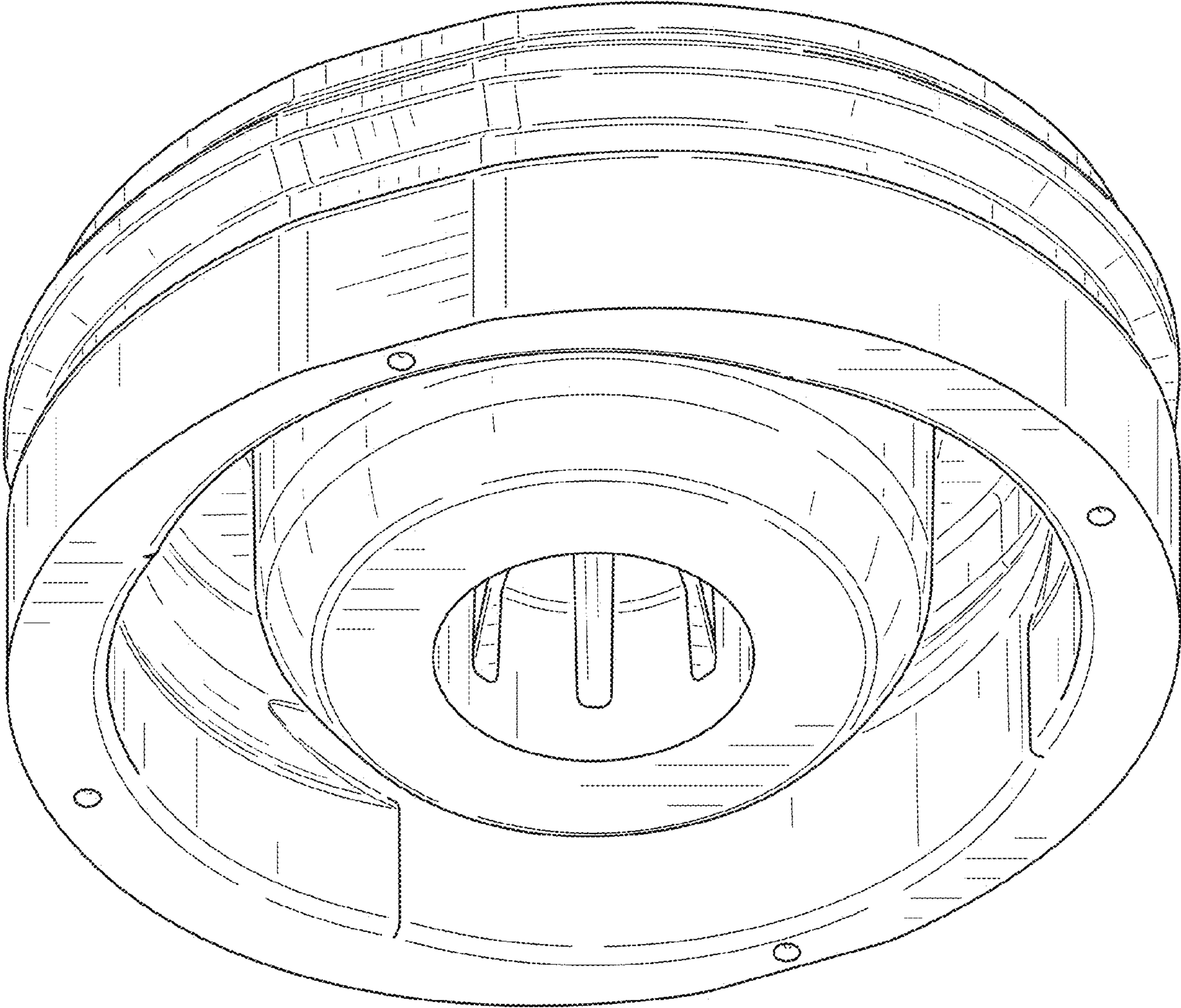


FIG. 8