



US00D985030S

(12) **United States Design Patent**  
**Perez Ruiz**

(10) **Patent No.:** **US D985,030 S**

(45) **Date of Patent:** **\*\* May 2, 2023**

(54) **PUNCH NOSE**

**DESCRIPTION**

- (71) Applicant: **HYPERION MATERIALS & TECHNOLOGIES SPAIN S.L.**,  
Martorelles Barcelona (ES)
- (72) Inventor: **Raul Perez Ruiz**, Martorelles (ES)
- (73) Assignee: **HYPERION MATERIALS & TECHNOLOGIES, INC.**,  
Worthington, OH (US)
- (\*\*) Term: **15 Years**
- (21) Appl. No.: **29/758,928**
- (22) Filed: **Nov. 19, 2020**
- (51) **LOC (14) Cl.** ..... **15-09**
- (52) **U.S. Cl.**  
USPC ..... **D15/128**
- (58) **Field of Classification Search**  
USPC ..... D8/29, 70, 98; D15/28, 29, 128, 138,  
D15/139

(Continued)

(56) **References Cited**

**U.S. PATENT DOCUMENTS**

- 2,346,925 A \* 4/1944 Lewis ..... B21D 28/34  
D15/128
- 2,444,946 A \* 7/1948 Murphy ..... F03D 9/25  
83/159

(Continued)

**FOREIGN PATENT DOCUMENTS**

- CN 110300647 B \* 9/2021 ..... B21D 28/34
- EP 1120084 A1 \* 8/2001 ..... A61B 5/14532
- WO WO-2013020975 A1 \* 2/2013 ..... F42B 12/02

*Primary Examiner* — Patricia A Palasik

(57) **CLAIM**

What is claimed is the ornamental design for a punch nose, as shown and described.

FIG. 1 is a first perspective view of a first embodiment of a punch nose;  
 FIG. 2 is a second perspective view of the punch nose of FIG. 1;  
 FIG. 3 is a front view of the punch nose of FIG. 1;  
 FIG. 4 is a rear view of the punch nose of FIG. 1;  
 FIG. 5 is a left side view of the punch nose of FIG. 1;  
 FIG. 6 is a right side view of the punch nose of FIG. 1;  
 FIG. 7 is a top view of the punch nose of FIG. 1;  
 FIG. 8 is a bottom view of the punch nose of FIG. 1;  
 FIG. 9 is an enlarged detailed view of the area identified in FIG. 1;  
 FIG. 10 is a first perspective view of a second embodiment of a punch nose;  
 FIG. 11 is a second perspective view of the punch nose of FIG. 10;  
 FIG. 12 is a front view of the punch nose of FIG. 10;  
 FIG. 13 is a rear view of the punch nose of FIG. 10;  
 FIG. 14 is a left side view of the punch nose of FIG. 10;  
 FIG. 15 is a right side view of the punch nose of FIG. 10;  
 FIG. 16 is a top view of the punch nose of FIG. 10;  
 FIG. 17 is a bottom view of the punch nose of FIG. 10;  
 FIG. 18 is an enlarged detailed view of the area identified in FIG. 10;  
 FIG. 19 is a first perspective view of a third embodiment of a punch nose;  
 FIG. 20 is a second perspective view of the punch nose of FIG. 19;  
 FIG. 21 is a front view of the punch nose of FIG. 19;  
 FIG. 22 is a rear view of the punch nose of FIG. 19;  
 FIG. 23 is a left side view of the punch nose of FIG. 19;  
 FIG. 24 is a right side view of the punch nose of FIG. 19;  
 FIG. 25 is a top view of the punch nose of FIG. 19;  
 FIG. 26 is a bottom view of the punch nose of FIG. 19; and,  
 FIG. 27 is an enlarged detailed view of the area identified in FIG. 19.

Any features shown in broken lines illustrate a portion of the punch nose that forms no part of the claimed design. Further, no lines, shading or other effects are meant to be indicative of any specified colors, material, or surface effect.

**1 Claim, 21 Drawing Sheets**

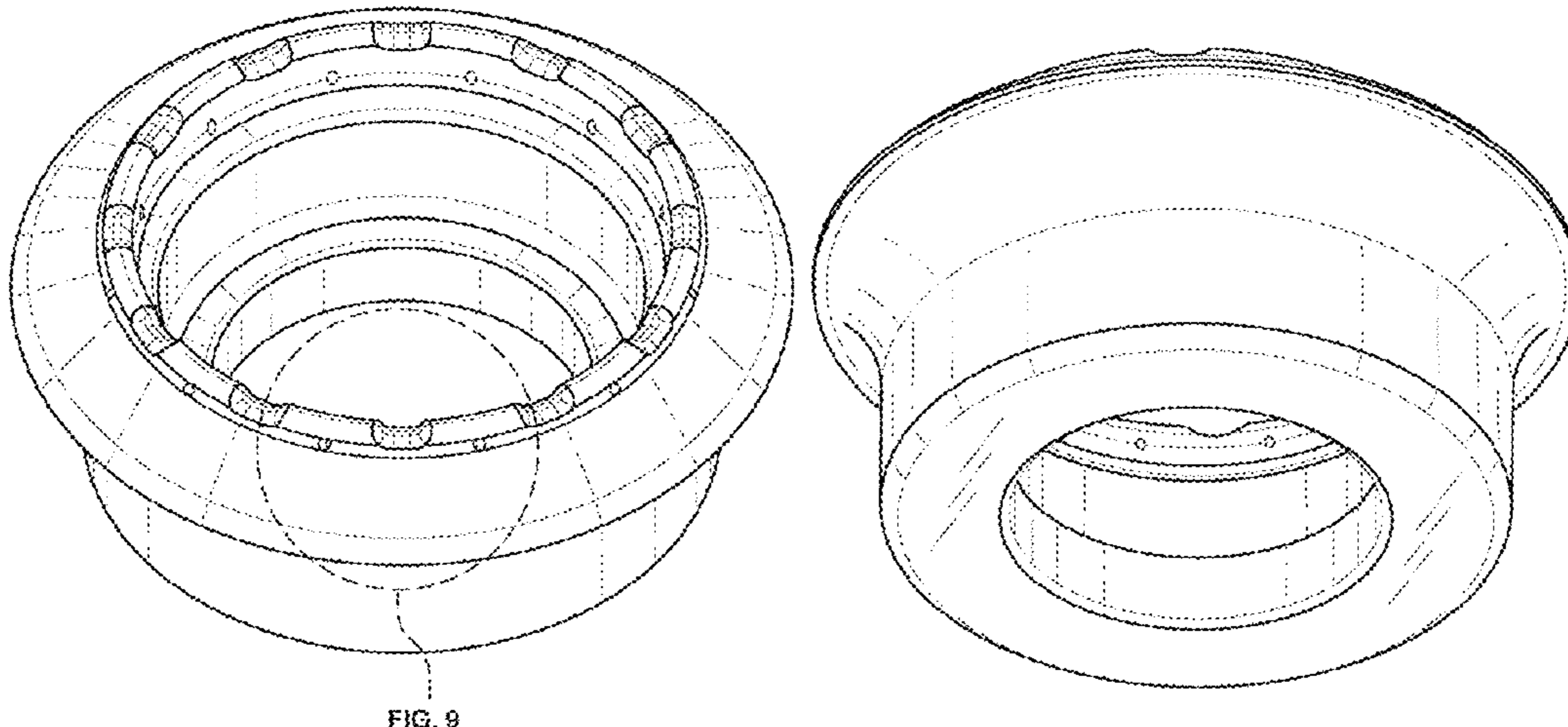


FIG. 9

US D985,030 S

(58) **Field of Classification Search**  
CPC . B26D 7/2614; B26F 1/02; B26F 1/14; B26F  
1/18  
See application file for complete search history.

(56) **References Cited**  
U.S. PATENT DOCUMENTS

3,032,862 A \* 5/1962 Fastre ..... H01L 21/00  
257/E21.154  
3,393,550 A \* 7/1968 Ihle ..... B21D 28/34  
72/333  
D243,406 S \* 2/1977 Mooney ..... D13/154  
D269,157 S \* 5/1983 Scott, III ..... D9/779  
4,423,546 A \* 1/1984 Scott ..... B23Q 3/15573  
D15/128  
4,558,616 A \* 12/1985 Sakamoto ..... B21D 28/246  
83/563  
4,573,623 A \* 3/1986 Sexton, Jr. .... B25C 7/00  
227/66  
4,762,043 A \* 8/1988 Sneed ..... B26F 1/14  
83/688  
D323,024 S \* 1/1992 Petersson ..... D23/269  
D347,885 S \* 6/1994 Gustafsson ..... D23/269

D351,459 S \* 10/1994 Andersson ..... D23/269  
D373,385 S \* 9/1996 Birkholz ..... D19/72  
D374,710 S \* 10/1996 Gustafsson ..... D23/269  
D393,657 S \* 4/1998 Bennett ..... D19/72  
5,746,104 A \* 5/1998 Russell ..... B26F 1/3846  
83/684  
D420,020 S \* 2/2000 Morita ..... D15/128  
D465,061 S \* 10/2002 Guthrie ..... D23/269  
D592,685 S \* 5/2009 Ferry ..... D15/128  
D615,569 S \* 5/2010 Greenleaf ..... D15/128  
D629,025 S \* 12/2010 Greenleaf ..... D15/138  
D665,832 S \* 8/2012 Nguyen ..... D15/128  
D690,333 S \* 9/2013 Morehead ..... D15/128  
D694,788 S \* 12/2013 Carper ..... D15/128  
D719,590 S \* 12/2014 Johnston ..... D15/128  
D746,884 S \* 1/2016 Heilmeyer ..... D15/139  
D755,863 S \* 5/2016 Shimota ..... D15/128  
D785,144 S \* 4/2017 Kitagawa ..... D23/269  
D787,576 S \* 5/2017 Carstens ..... D15/128  
D820,328 S \* 6/2018 Villeneuve ..... D15/128  
2003/0089264 A1 \* 5/2003 Eberhart ..... F42B 12/74  
102/510  
2010/0107846 A1 \* 5/2010 Lee ..... B21D 45/006  
83/686

\* cited by examiner

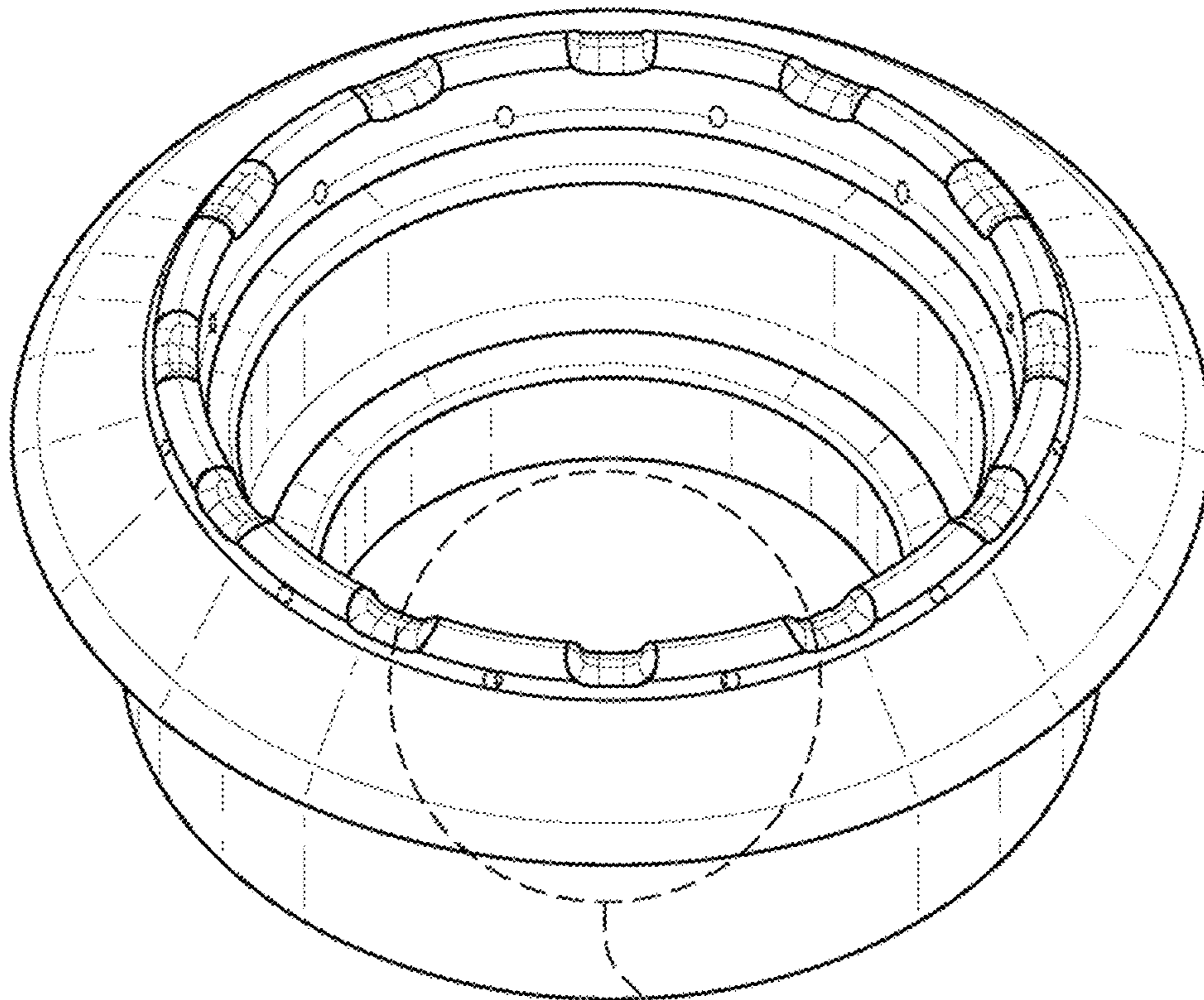


FIG. 9

FIG. 1

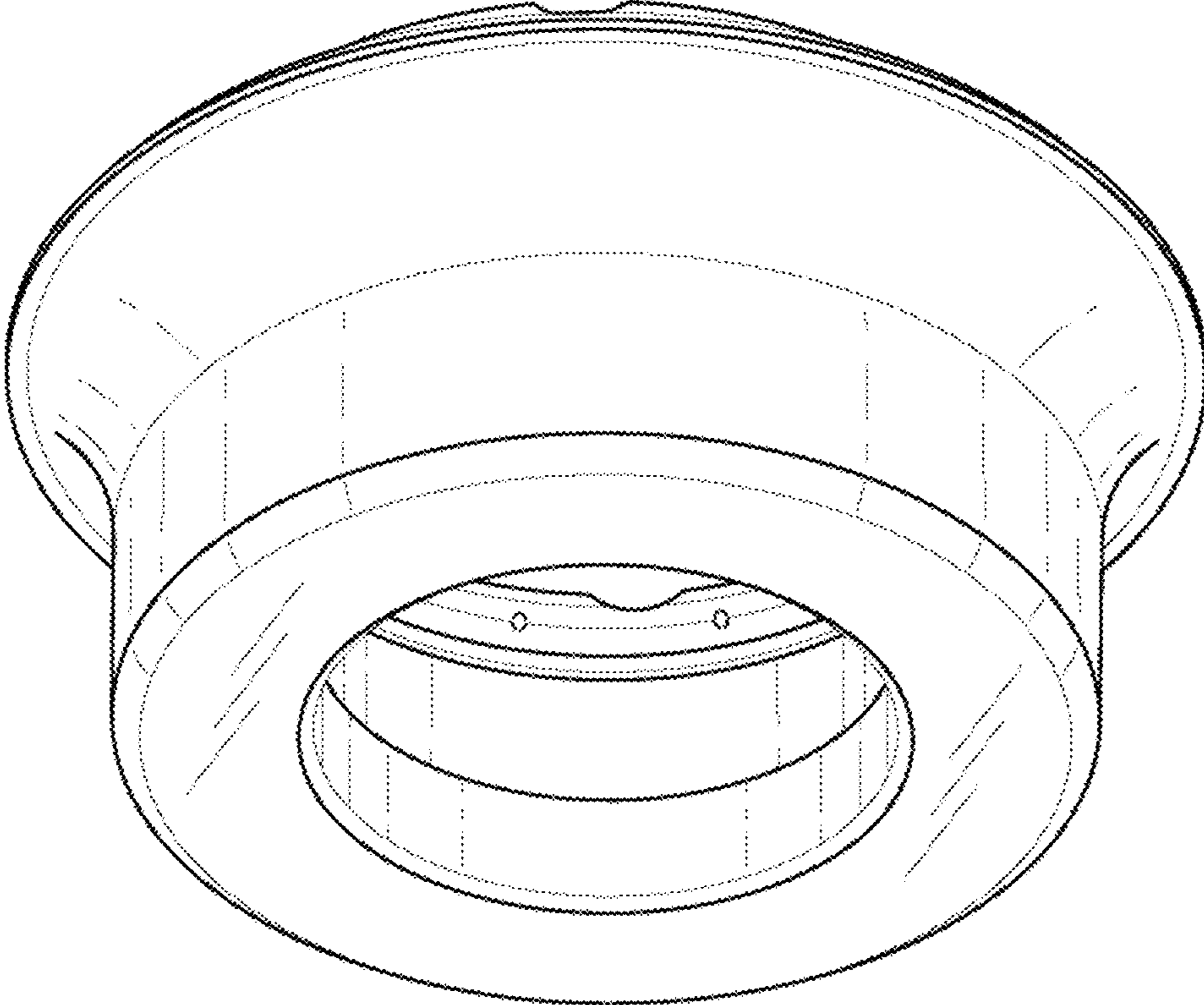


FIG. 2

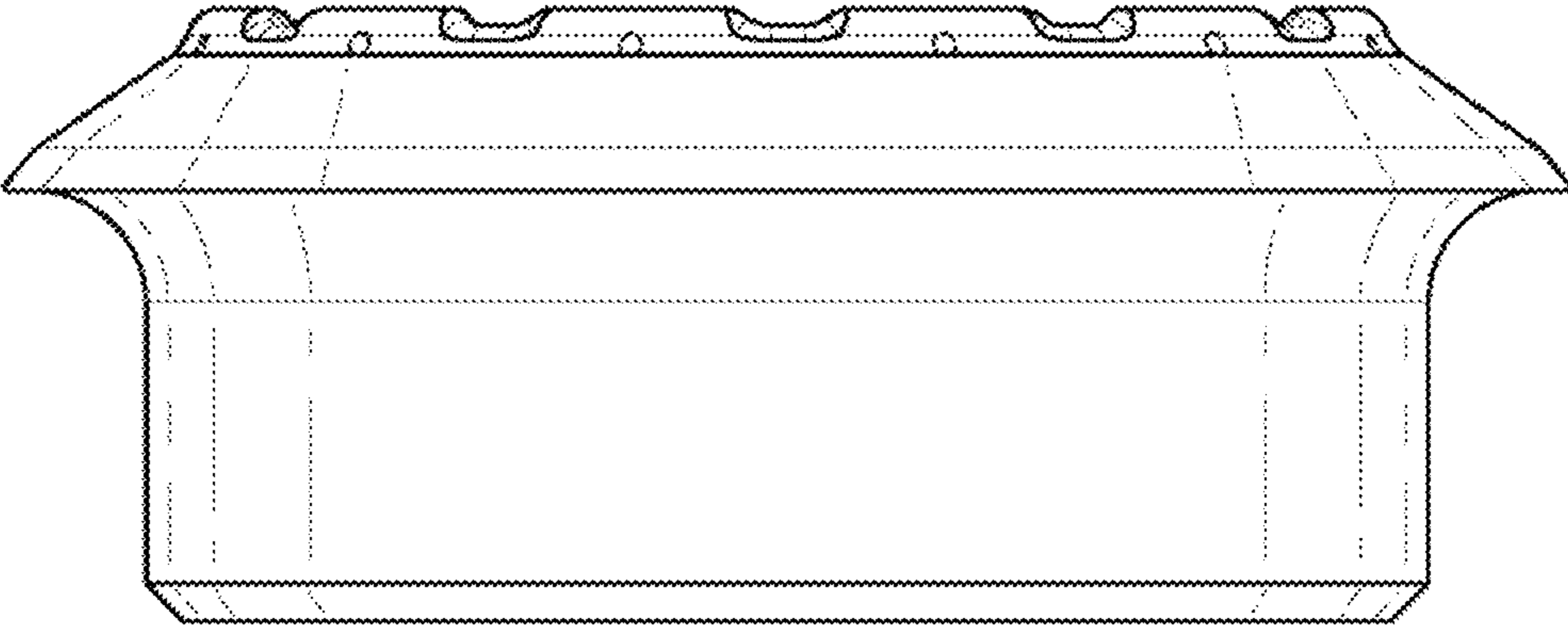


FIG. 3

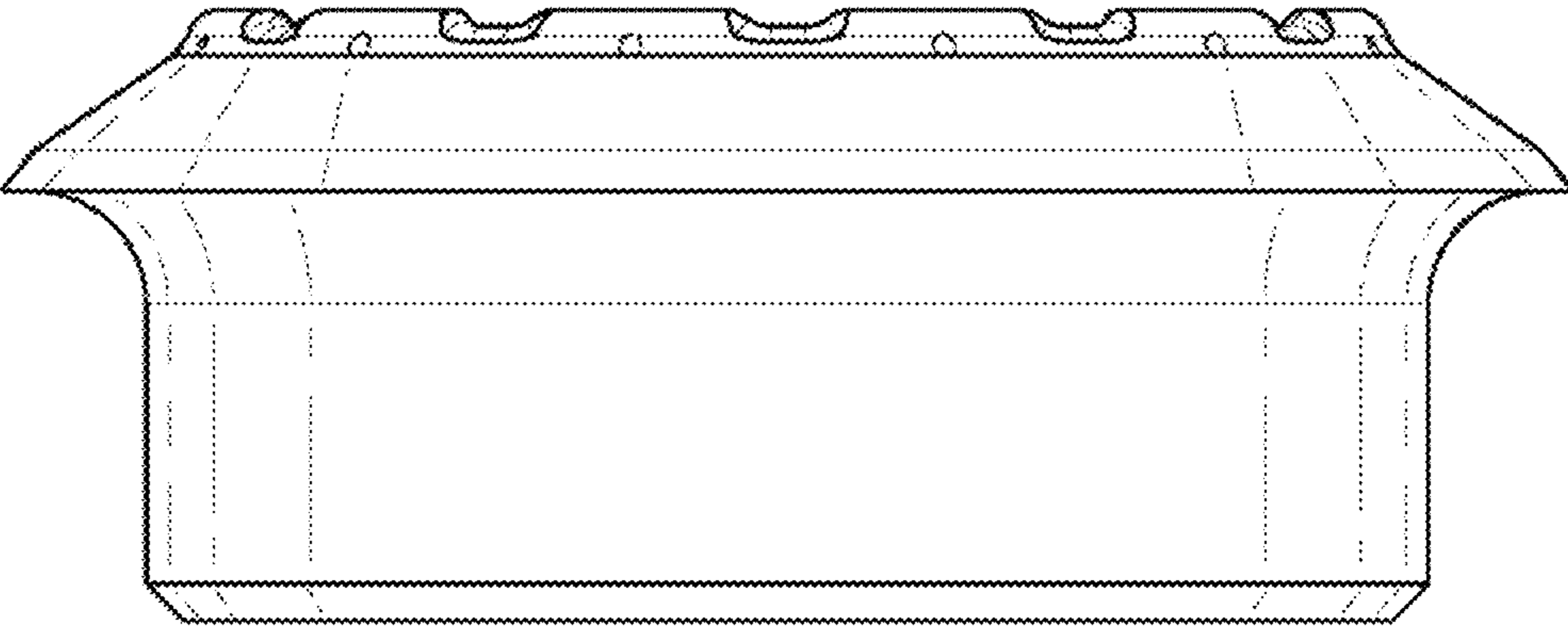


FIG. 4

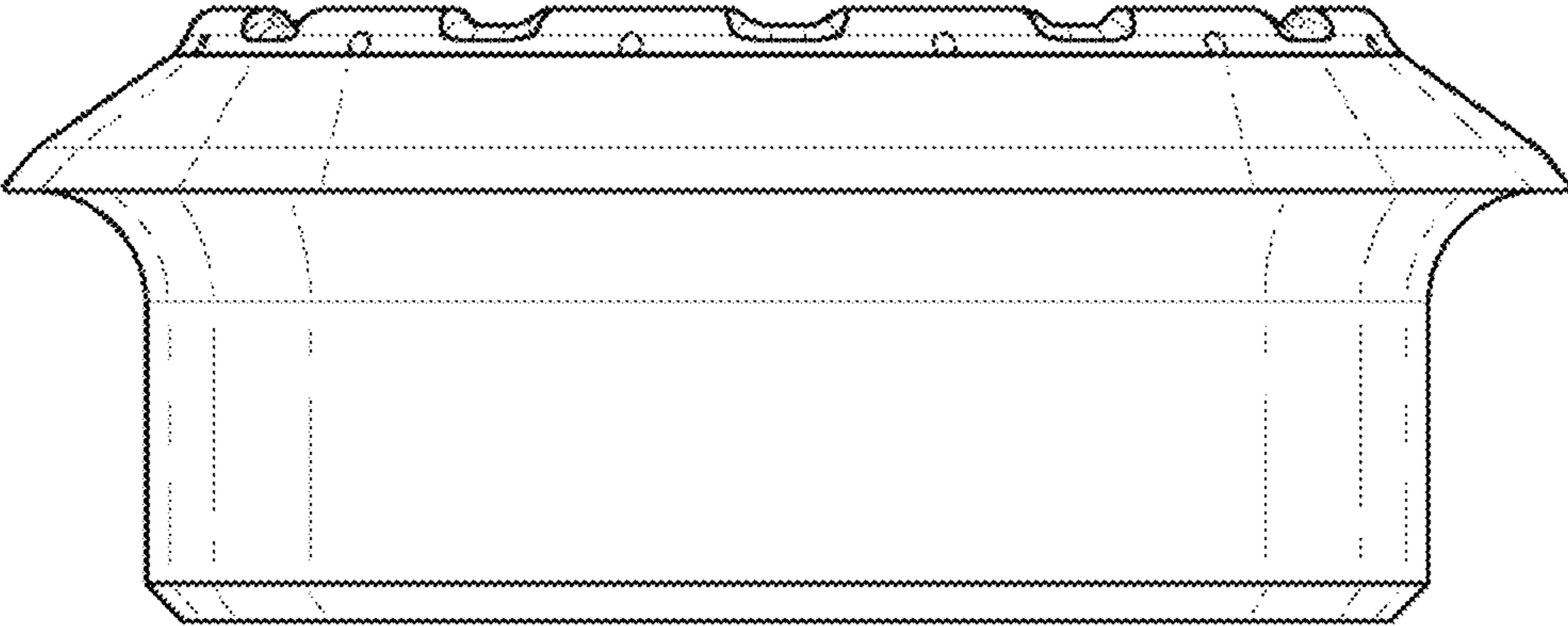


FIG. 5

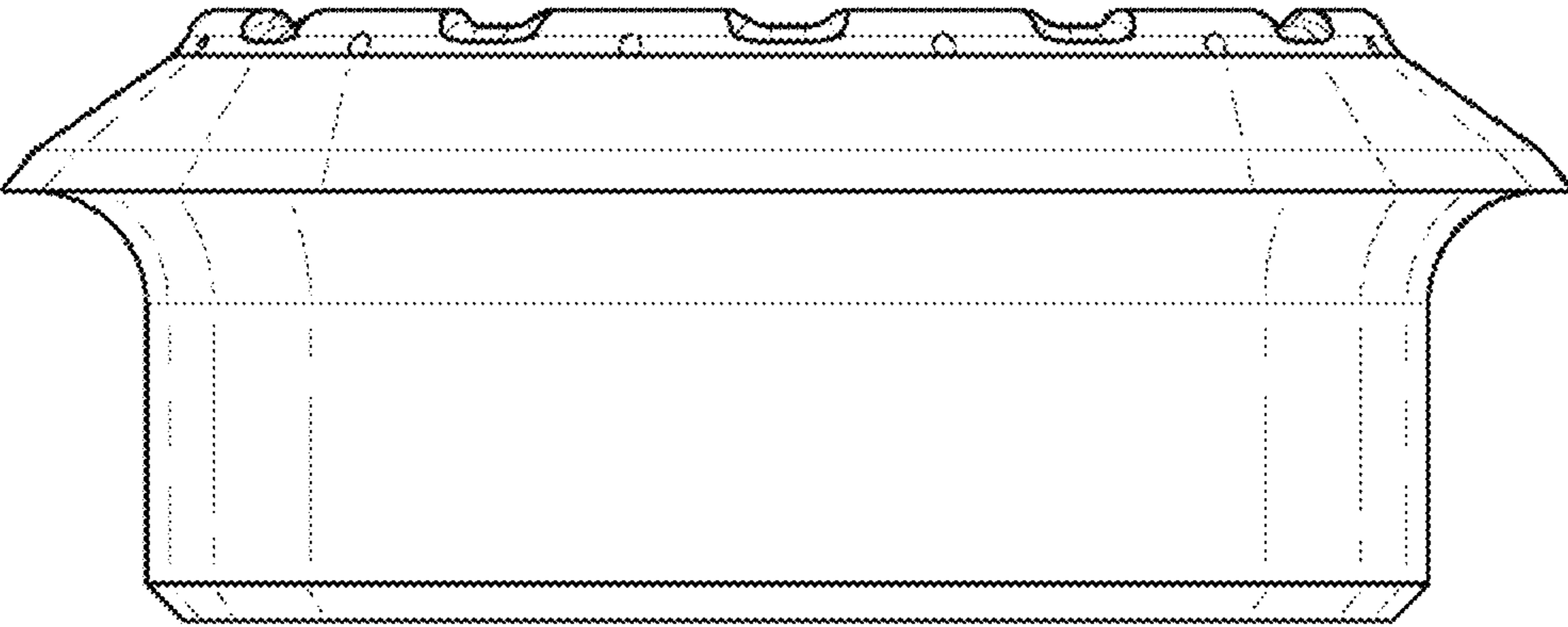


FIG. 6

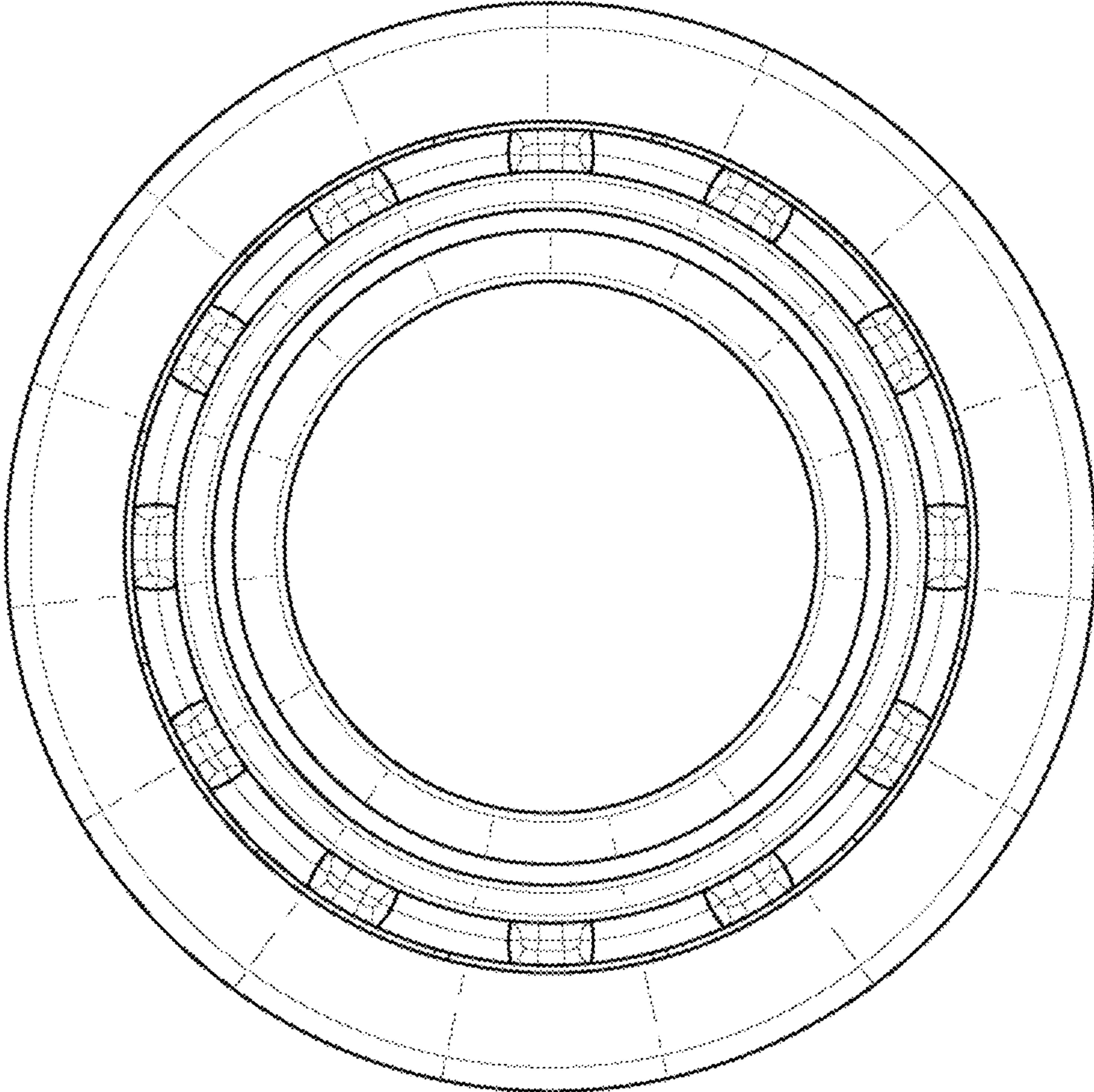


FIG. 7

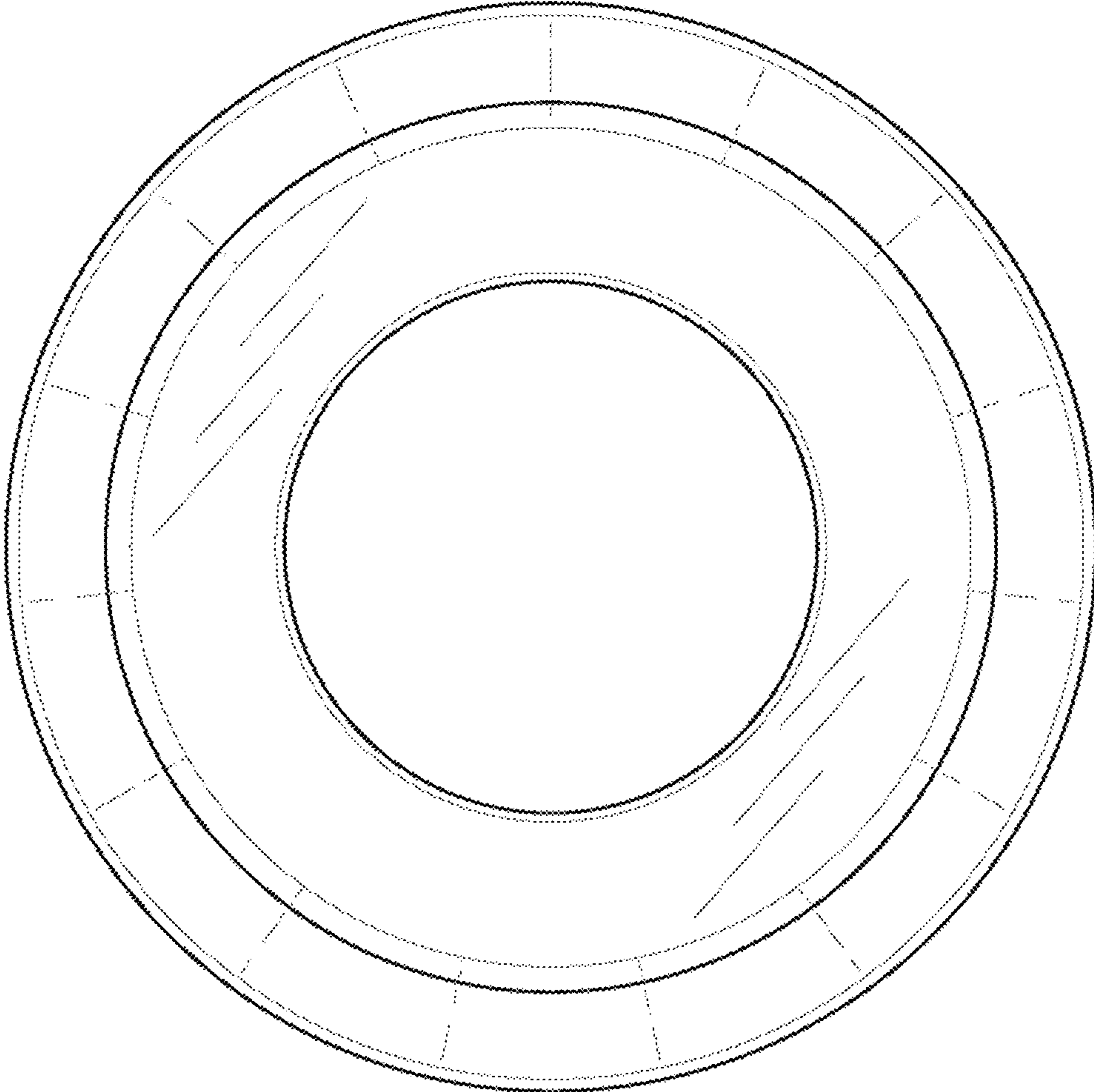


FIG. 8



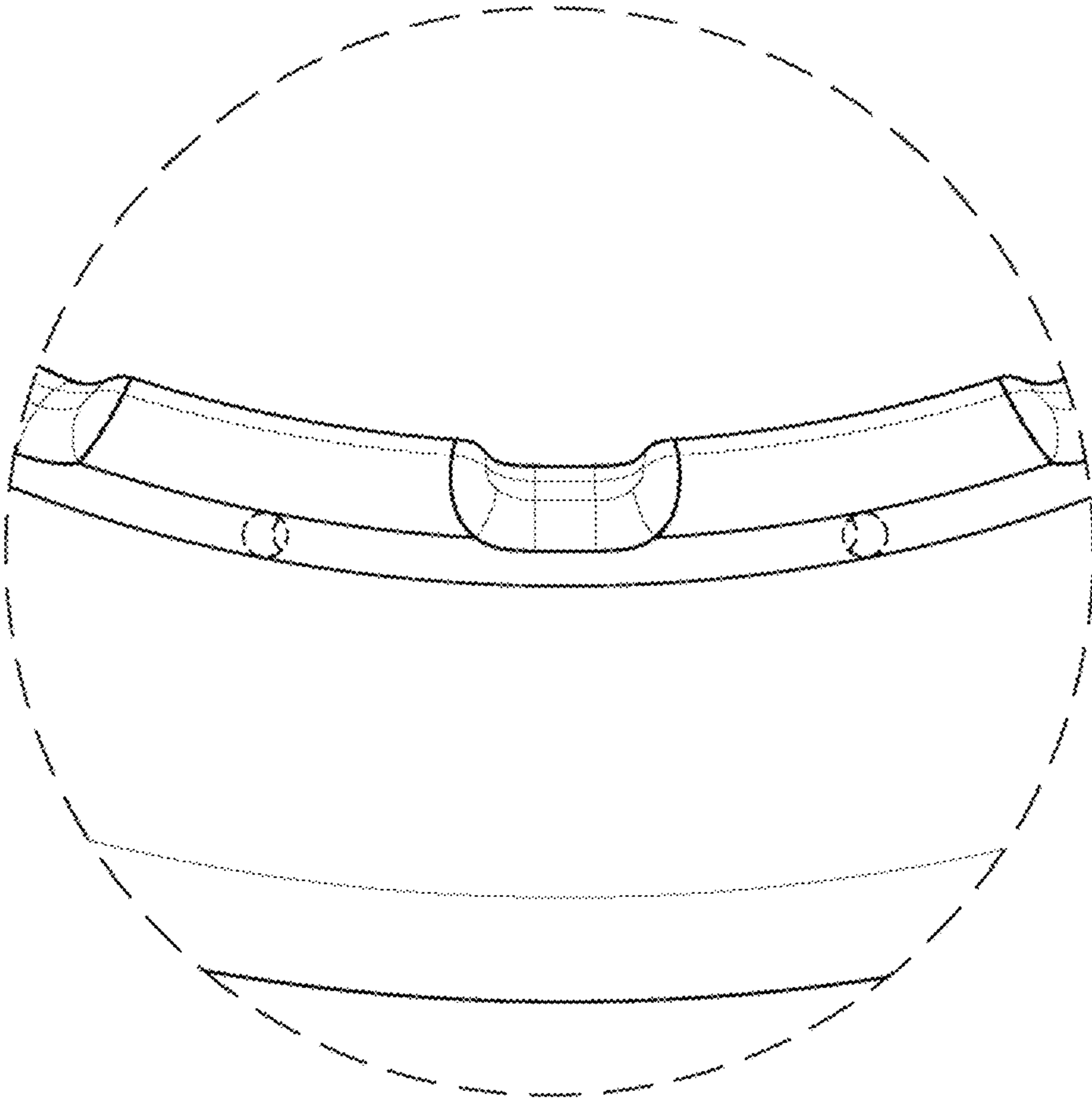


FIG. 9

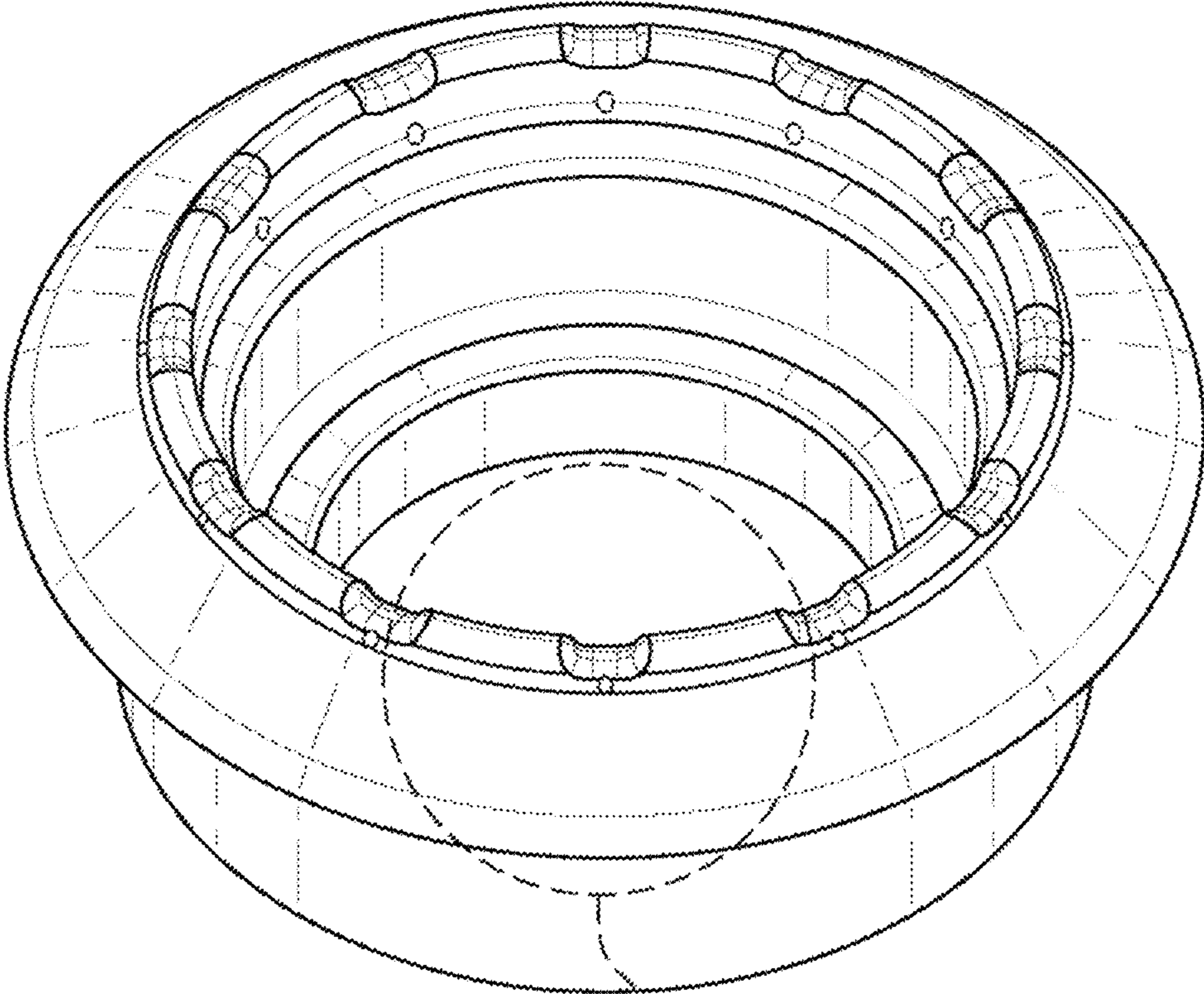


FIG. 18

FIG. 10

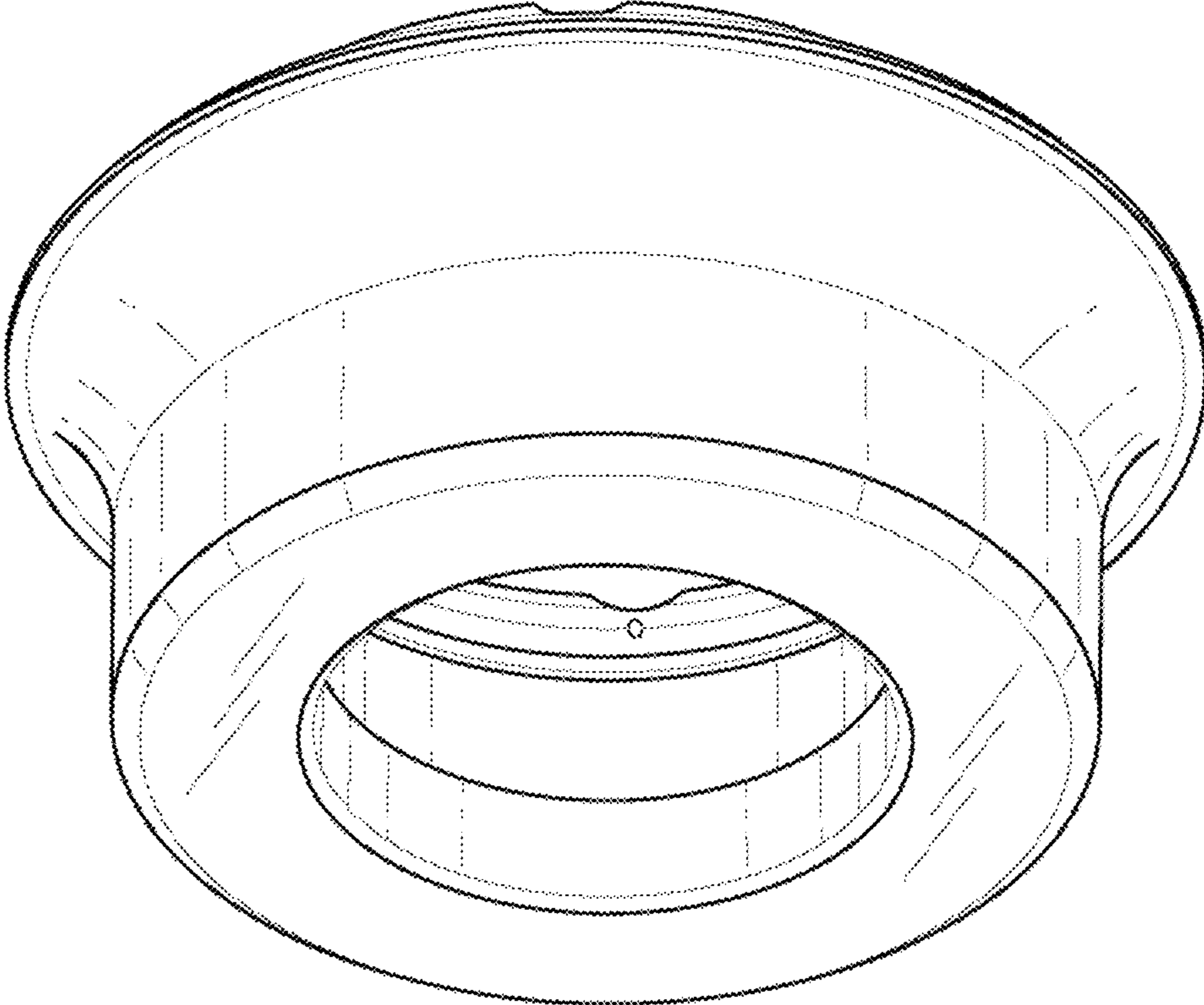


FIG. 11

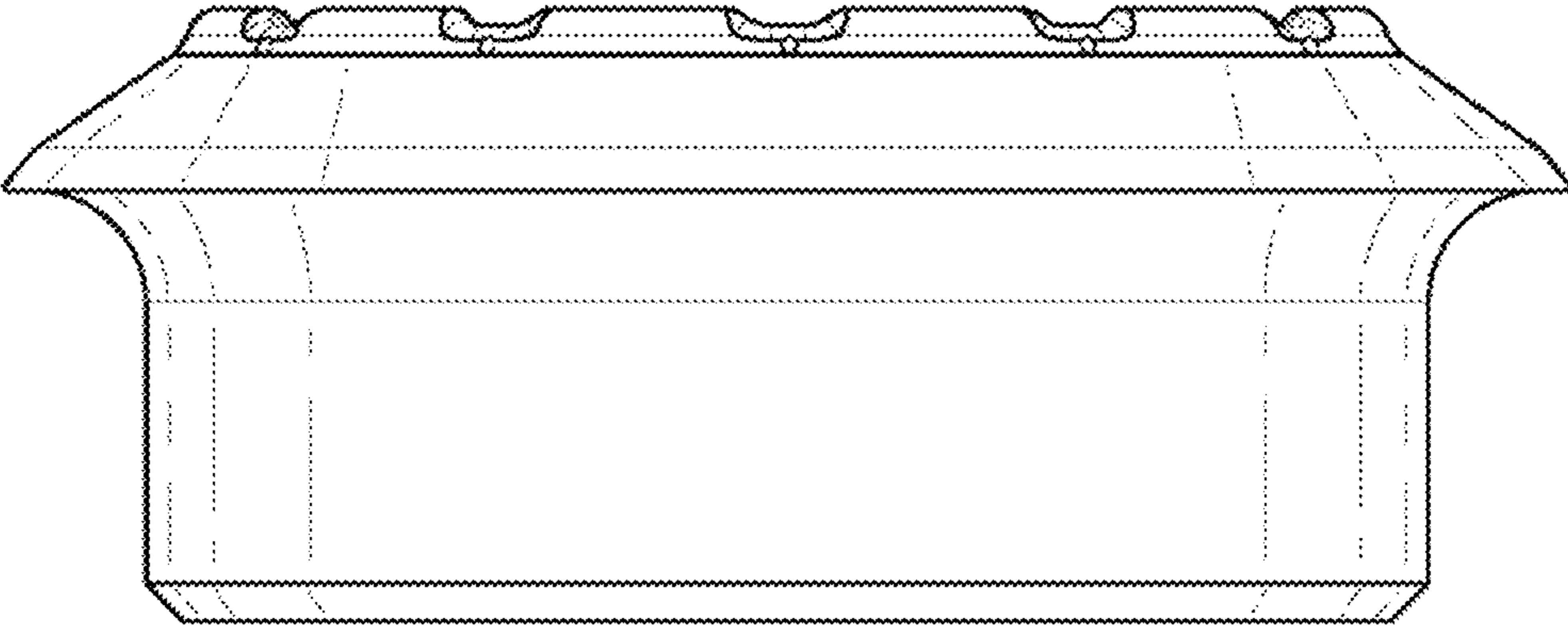


FIG. 12

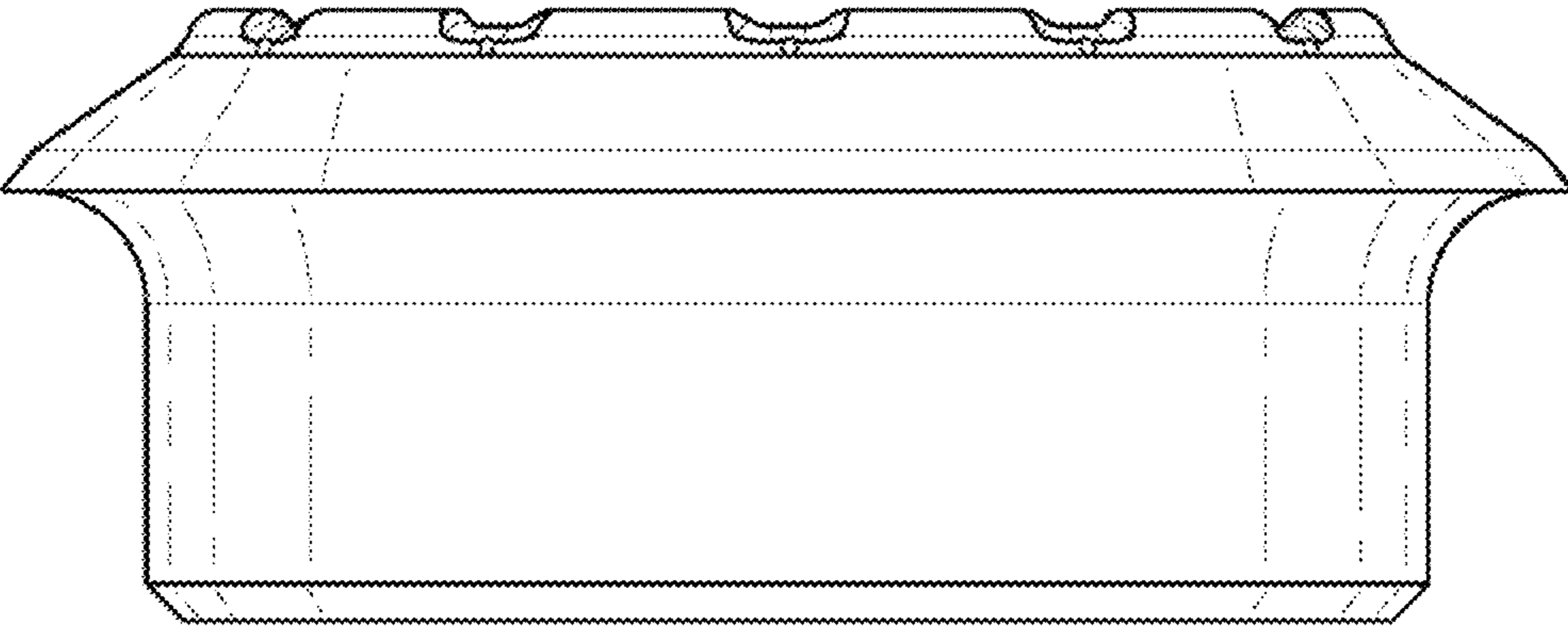


FIG. 13

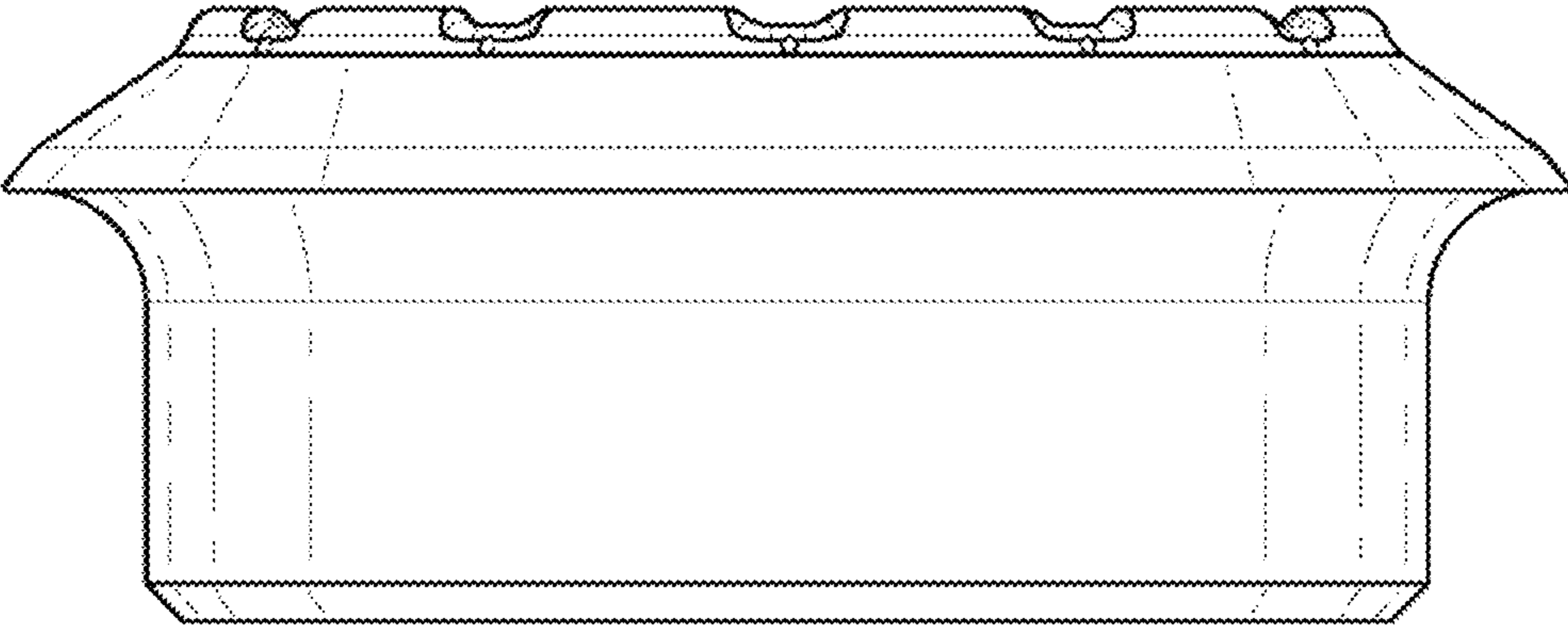


FIG. 14

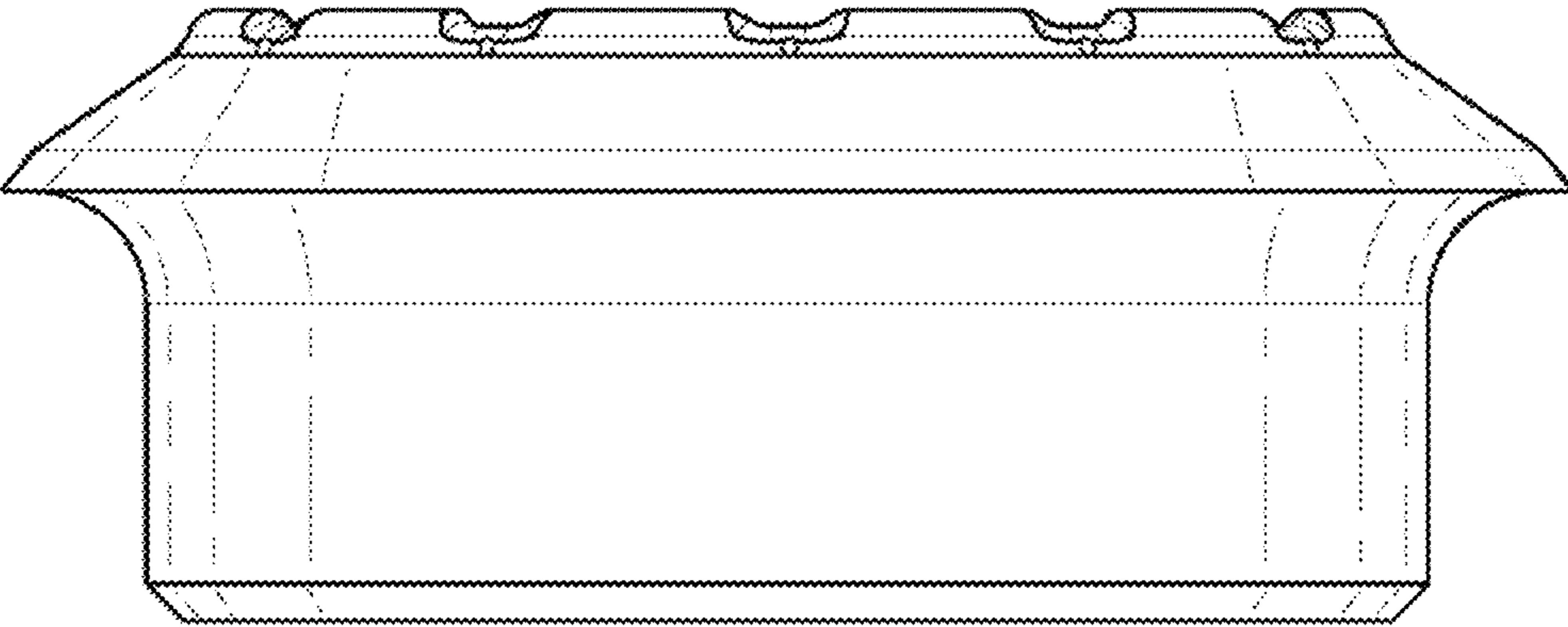


FIG. 15

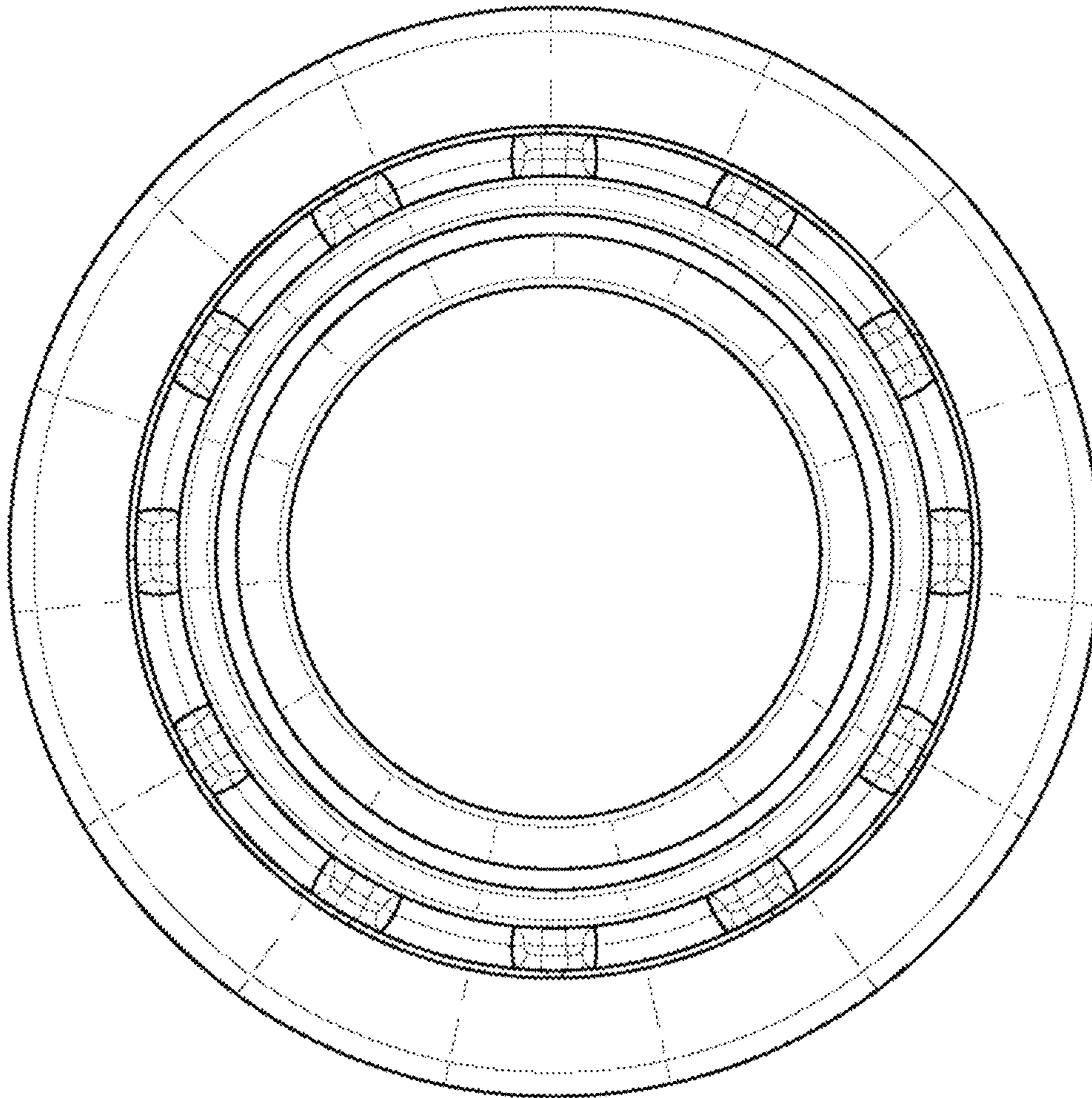


FIG. 16

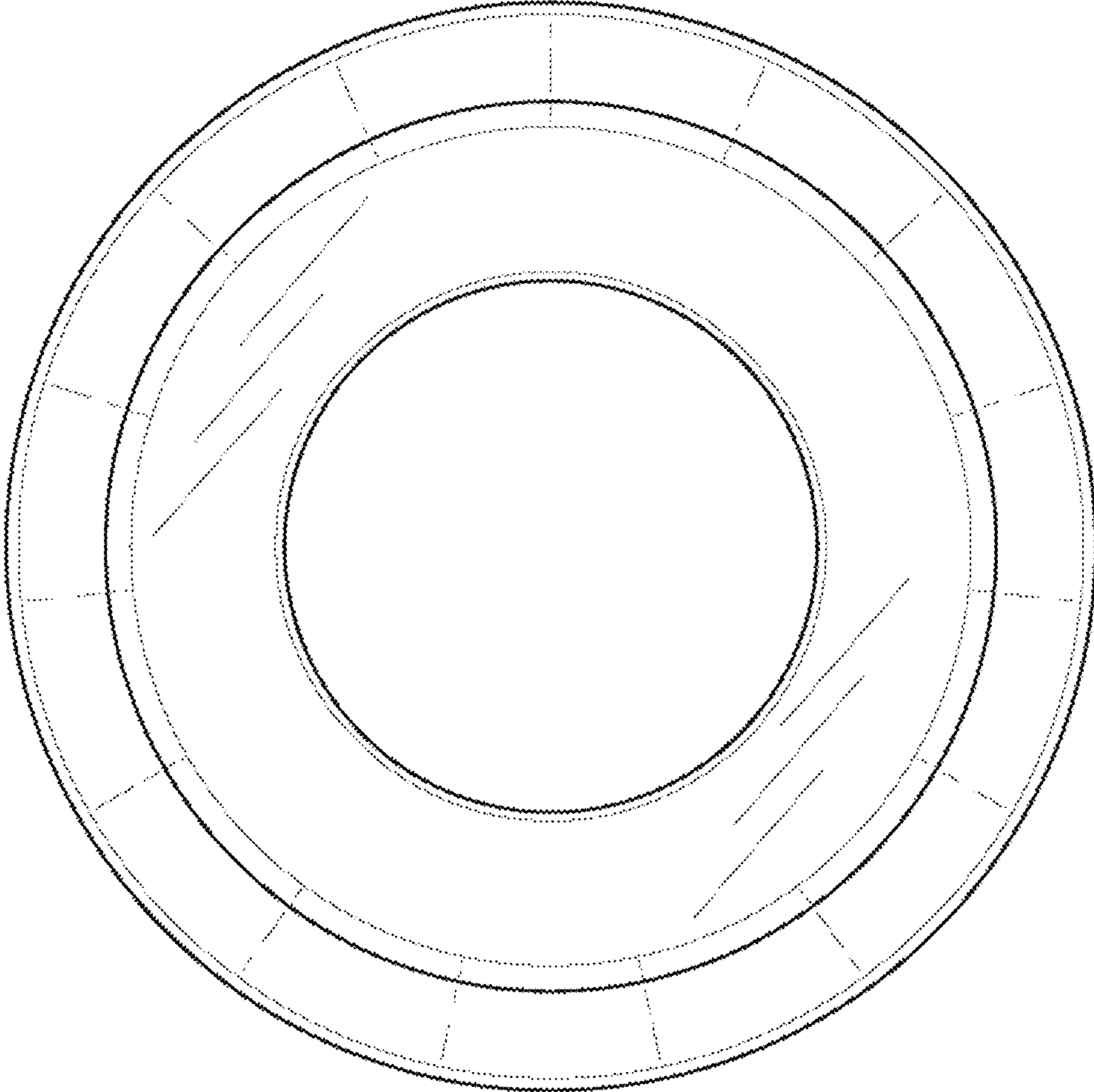


FIG. 17

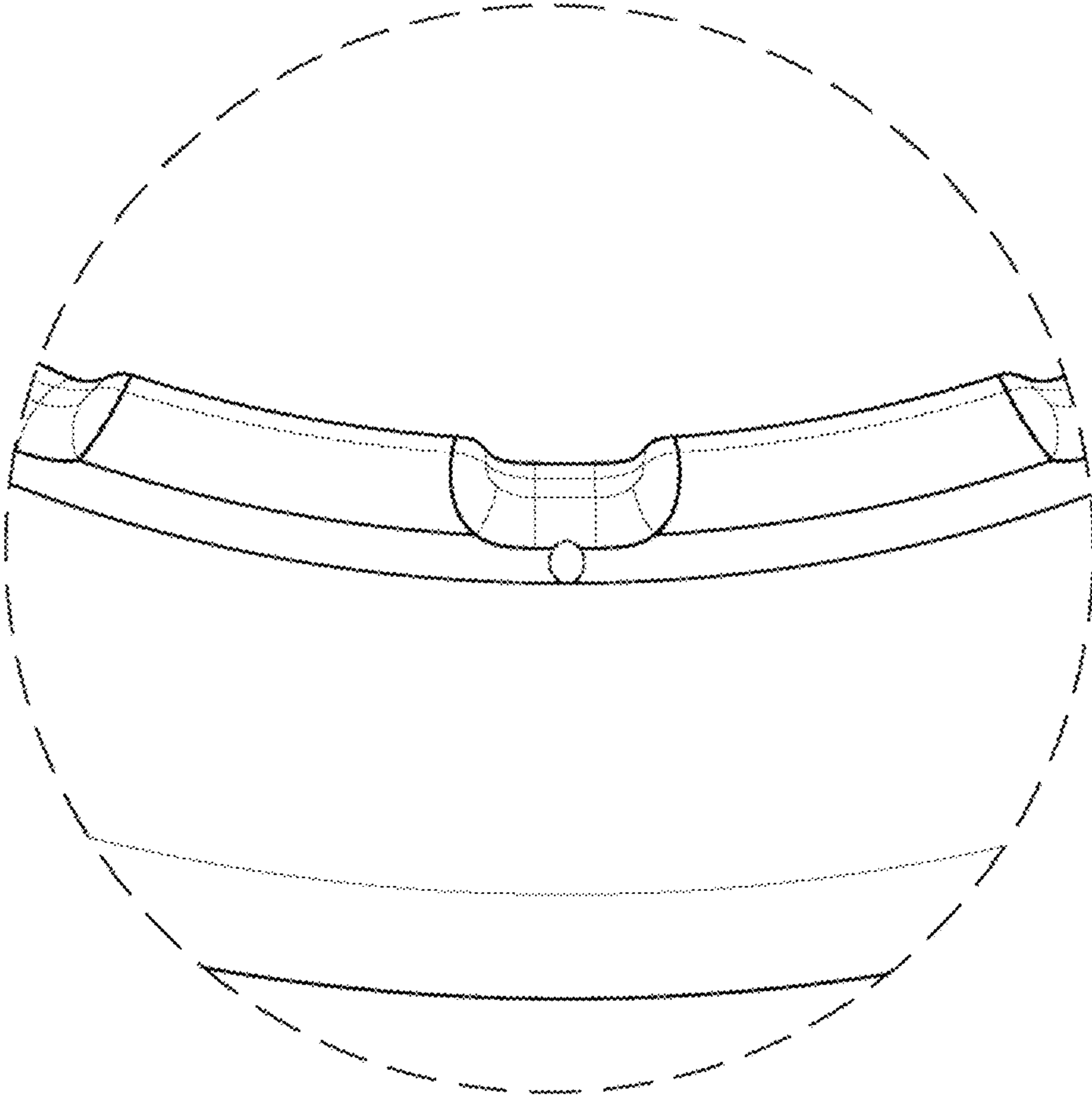


FIG. 18



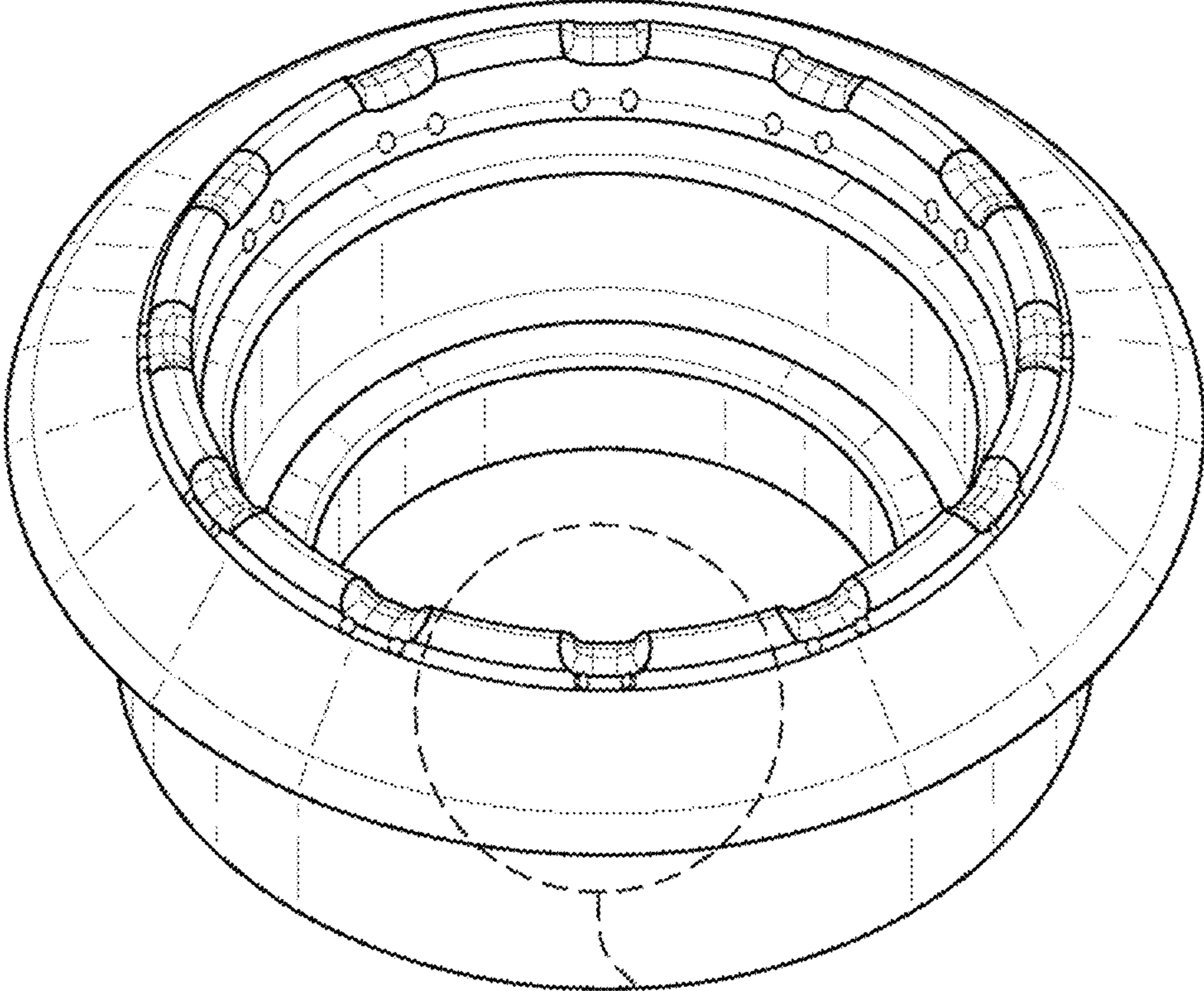


FIG. 27

FIG. 19

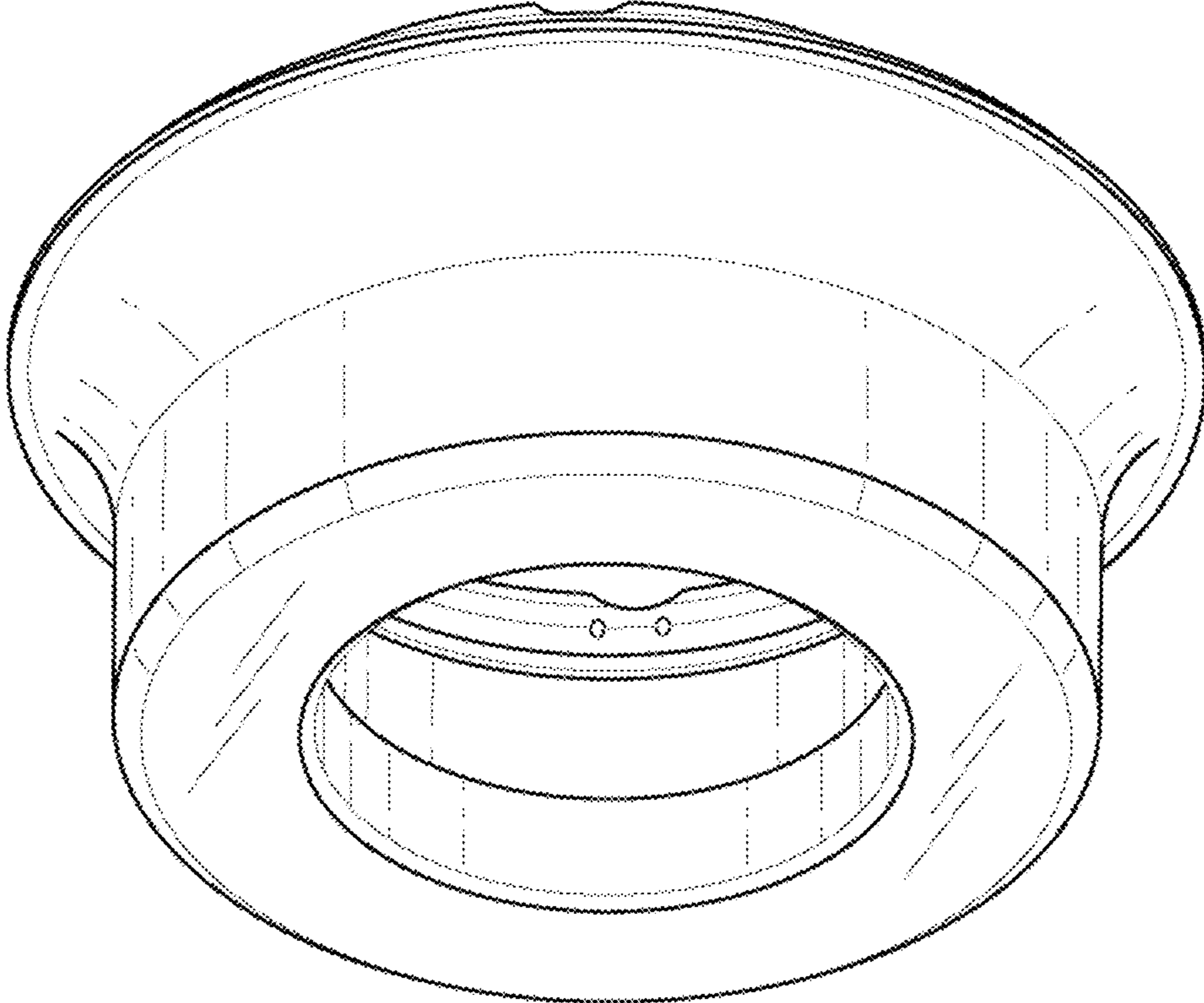


FIG. 20

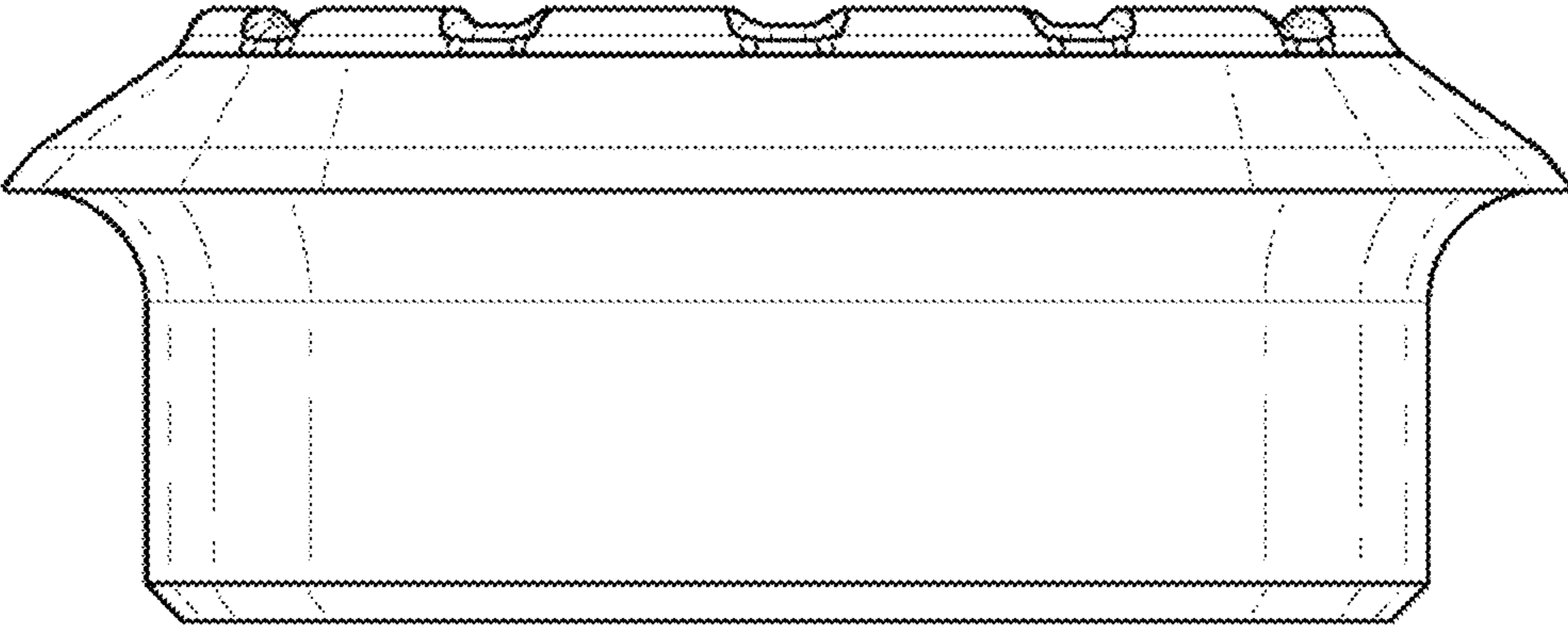


FIG. 21

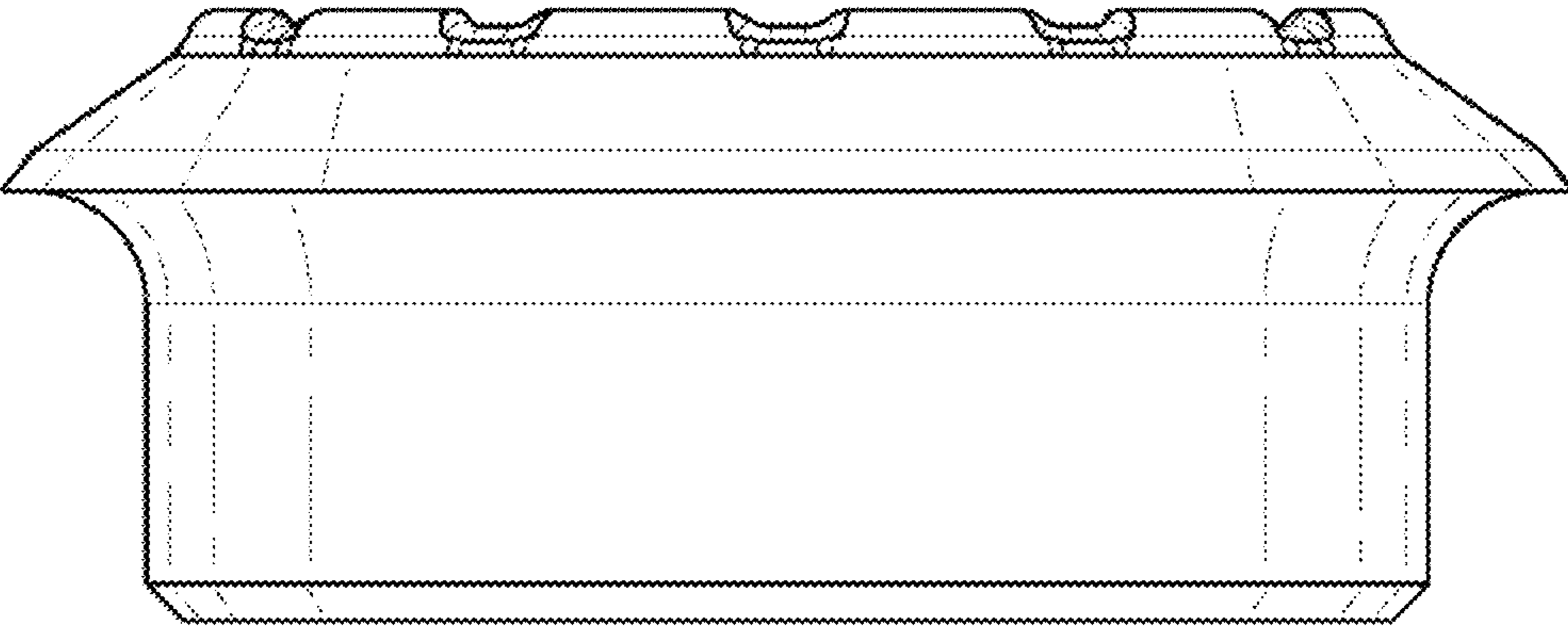


FIG. 22

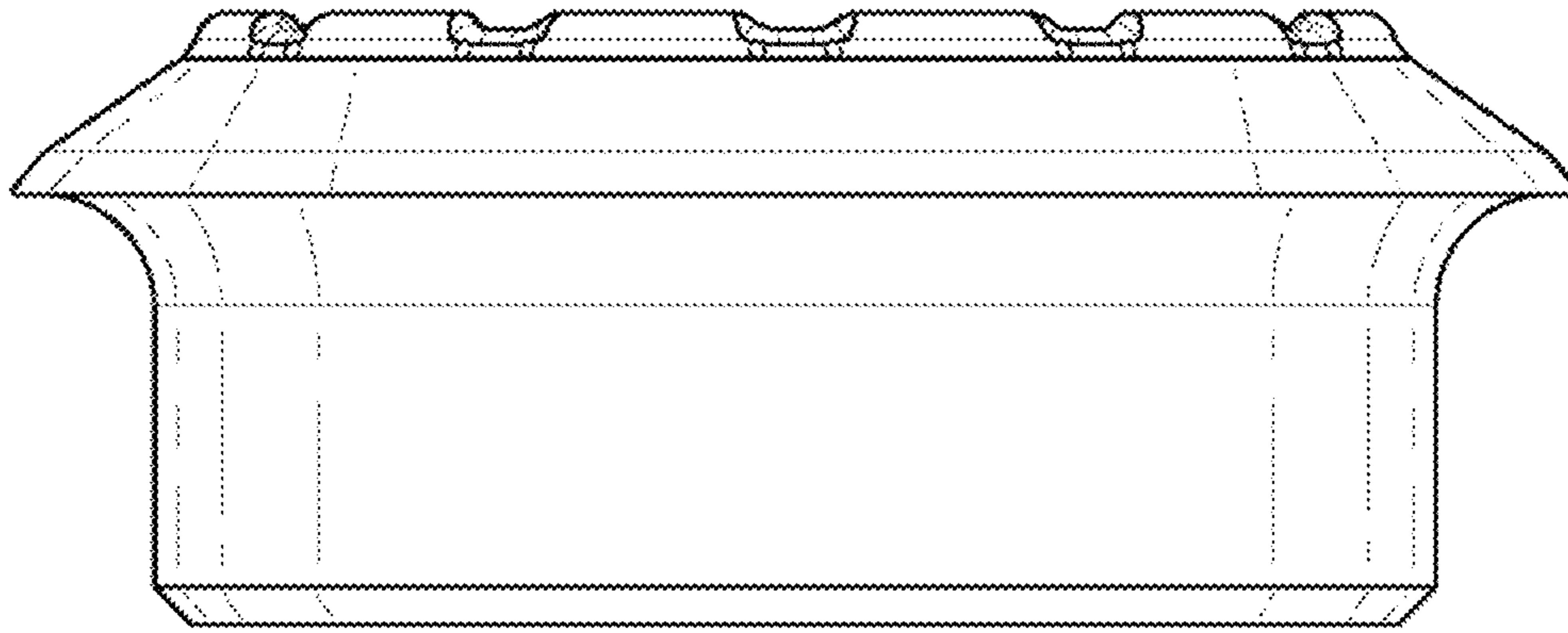


FIG. 23

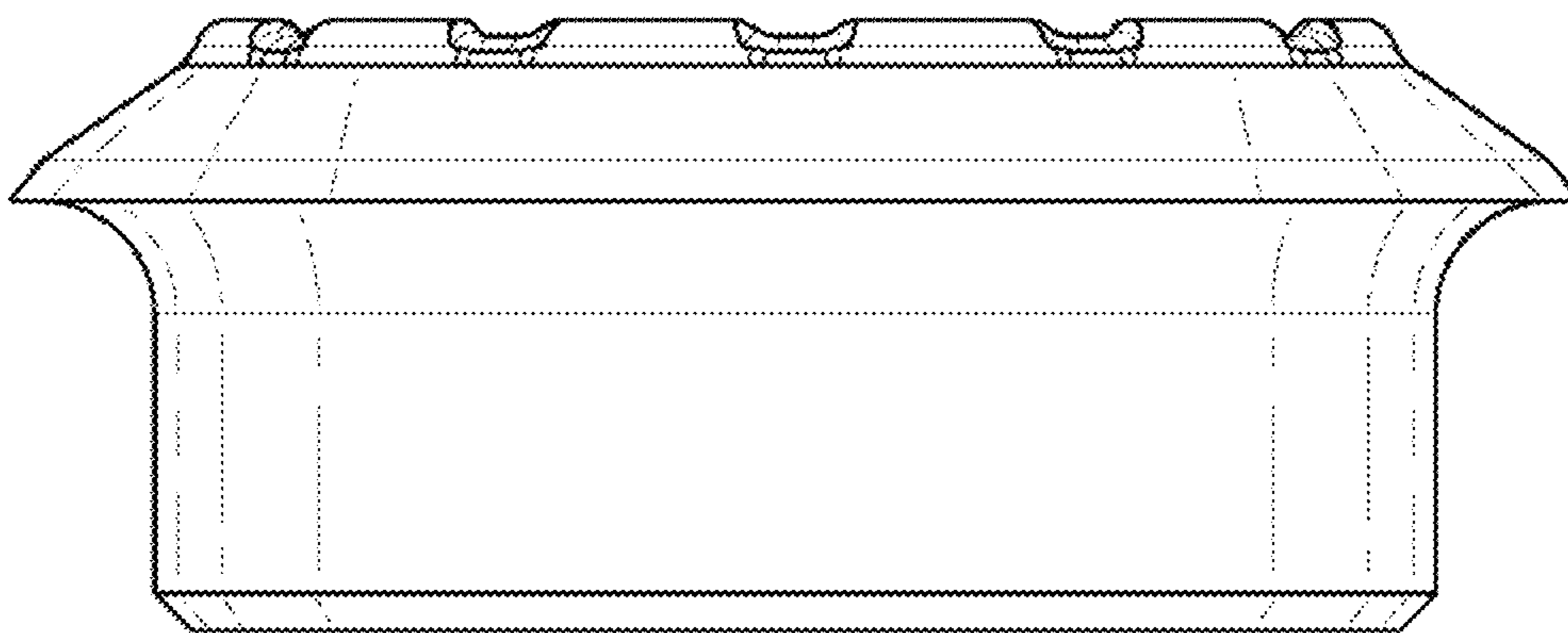


FIG. 24

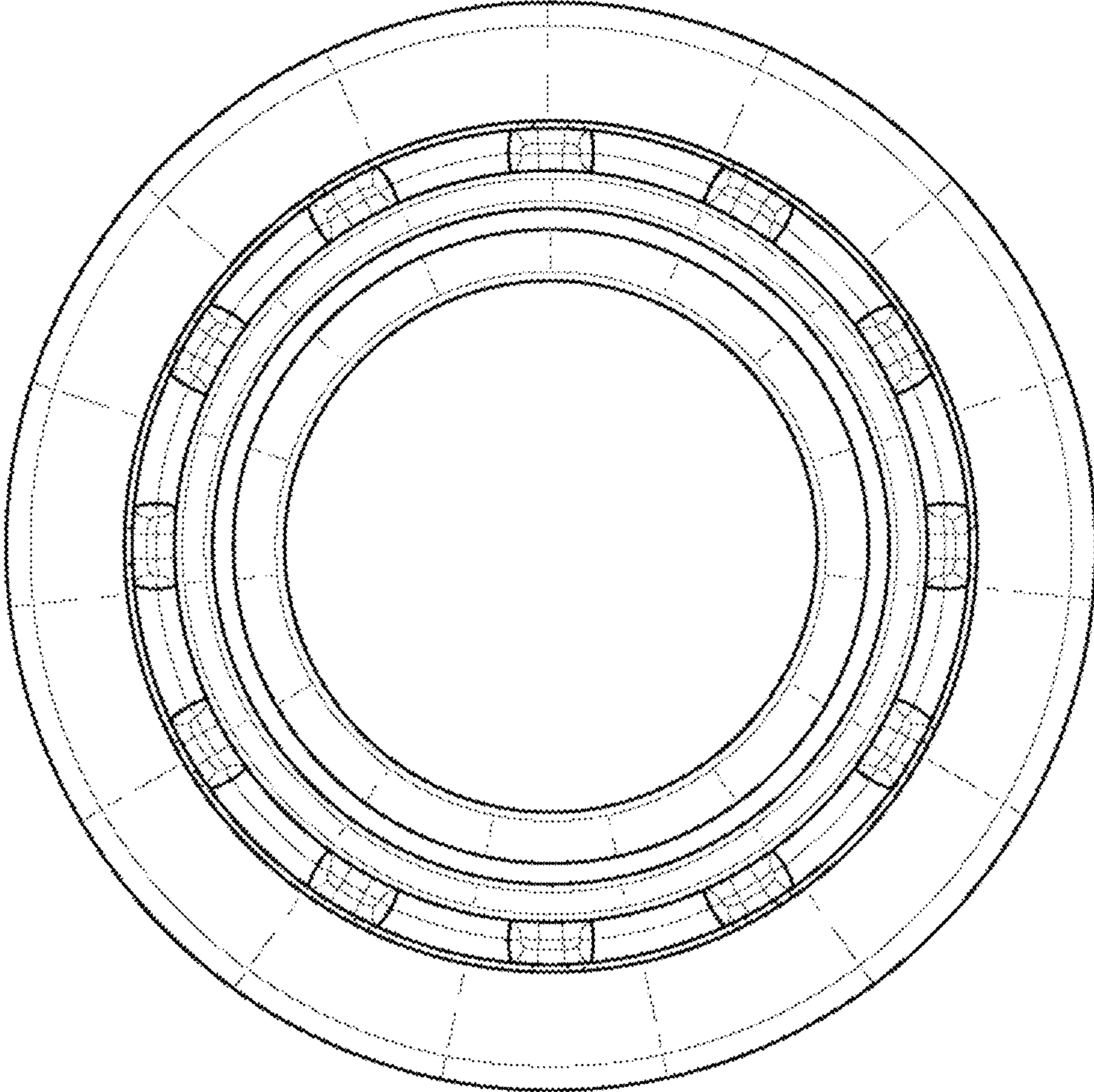


FIG. 25

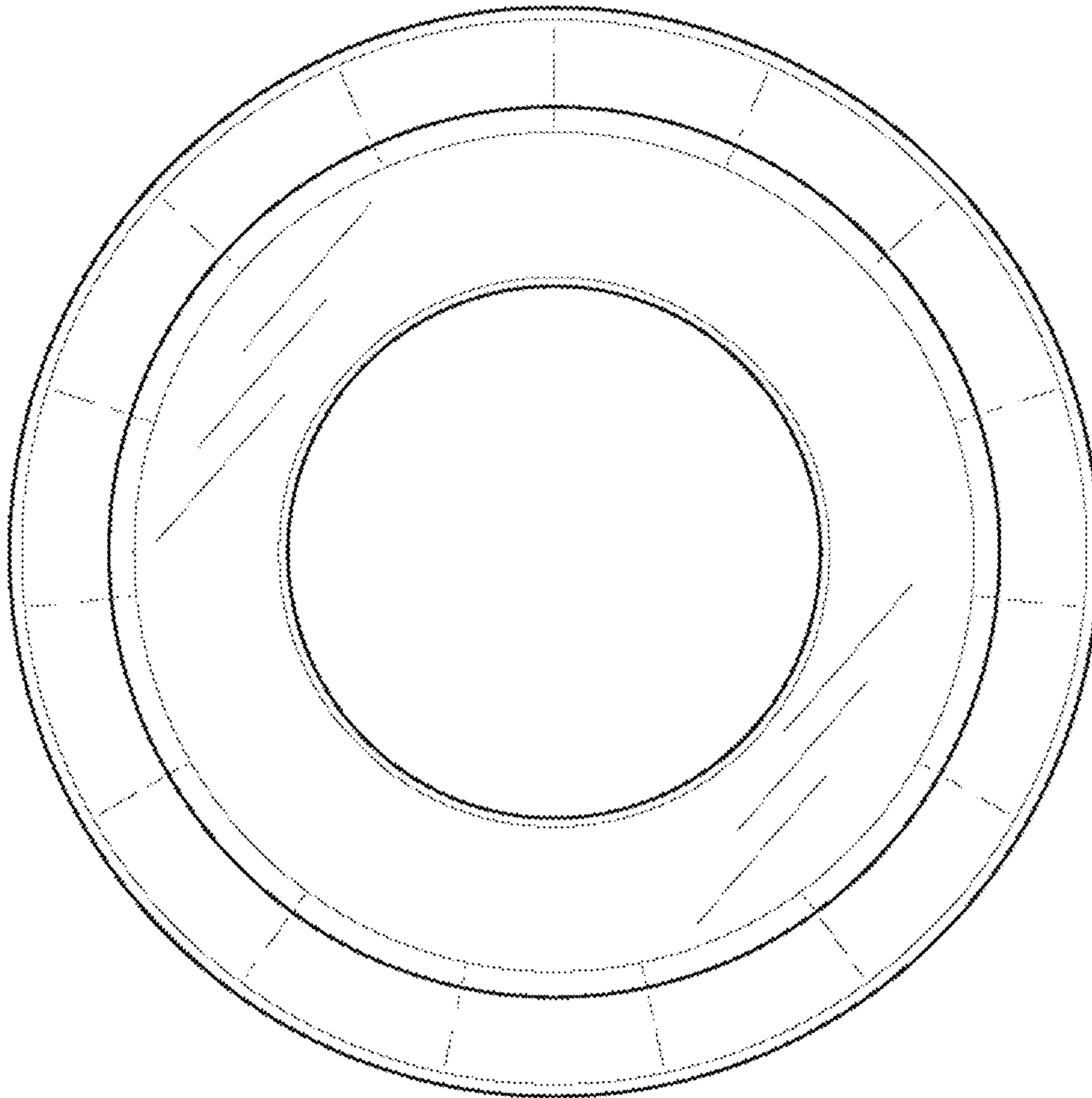


FIG. 26

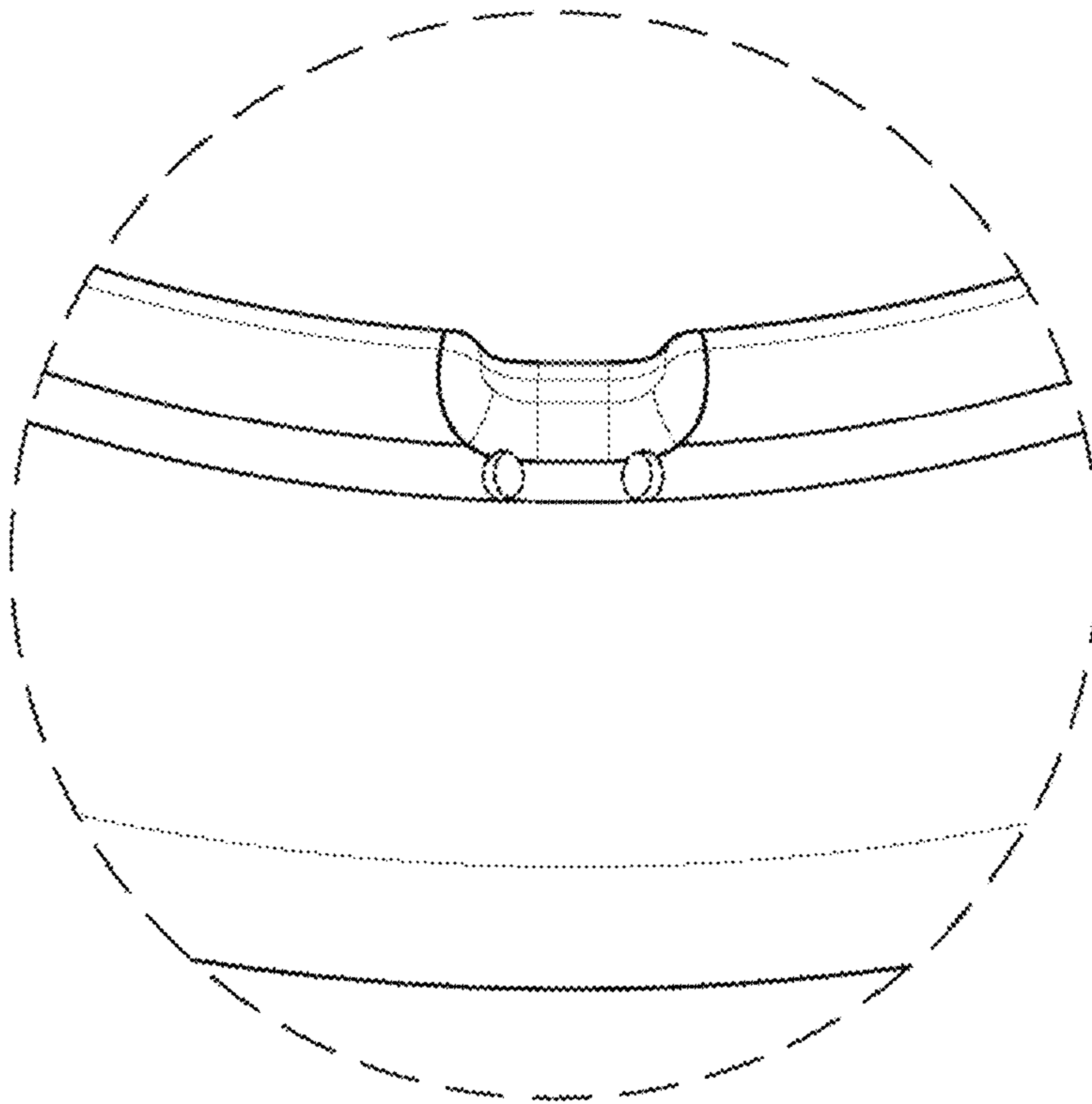


FIG. 27