



US00D985028S

(12) **United States Design Patent**
Tome

(10) **Patent No.:** **US D985,028 S**
(45) **Date of Patent:** **** May 2, 2023**

(54) KEY MAKING MACHINE	5,833,406 A *	11/1998	Chies	B23C 3/35 409/231
(71) Applicant: Keyline S.P.A. , Conegliano (IT)	D441,379 S *	5/2001	Kanat	D15/127
(72) Inventor: Enrico Tome , Sacile (IT)	6,602,030 B1 *	8/2003	Markbreit	B23C 3/35 409/81
(73) Assignee: KEYLINE S.P.A. , Conegliano (IT)	6,839,449 B1 *	1/2005	Campbell	G06K 9/00 382/209
(**) Term: 15 Years	7,077,607 B2 *	7/2006	Foscan	B23C 3/35 409/218
(21) Appl. No.: 29/717,584	10,406,607 B2 *	9/2019	Gerlings	B23C 3/355
(22) Filed: Dec. 18, 2019	D869,267 S *	12/2019	Ju	D8/499
(30) Foreign Application Priority Data	11,285,547 B2 *	3/2022	Jalove	B23C 3/35
	D949,216 S *	4/2022	Cheng	D15/127
	D952,010 S *	5/2022	Ju	D15/127
	2013/0294857 A1 *	11/2013	Bass	B23P 15/005 409/82

* cited by examiner

Jun. 19, 2019 (EM) 006586178-0001

(51) **LOC (14) Cl.** **15-09**

(52) **U.S. Cl.**
USPC **D15/127**

(58) **Field of Classification Search**
USPC D15/127; D8/499
CPC ... B23C 3/35; B23C 2235/12; B23C 2235/41;
B23C 2235/28; B23C 2235/04; B23C
2235/08; B23C 2235/16; B23C 2235/21;
B23C 2235/32; B23C 2235/48; Y10T
409/300952; Y10T 409/301008; Y10T
409/301624; Y10T 409/301064; Y10T
409/30112; Y10T 409/304088; Y10T
409/308624; Y10T 409/309408; Y10T
279/3487; Y10T 408/957; Y10T 70/7842;
G06K 9/00; G06K 9/2036; G06K 9/48;
G06K 9/00704; G06K 9/00818; G06K
9/6288; G06K 2209/19; G06K 7/1413
See application file for complete search history.

Primary Examiner — Nathaniel D. Buckner
(74) *Attorney, Agent, or Firm* — Stetina Brunda Garred
and Brucker

(57) **CLAIM**

The ornamental design for a key making machine, as shown
and described.

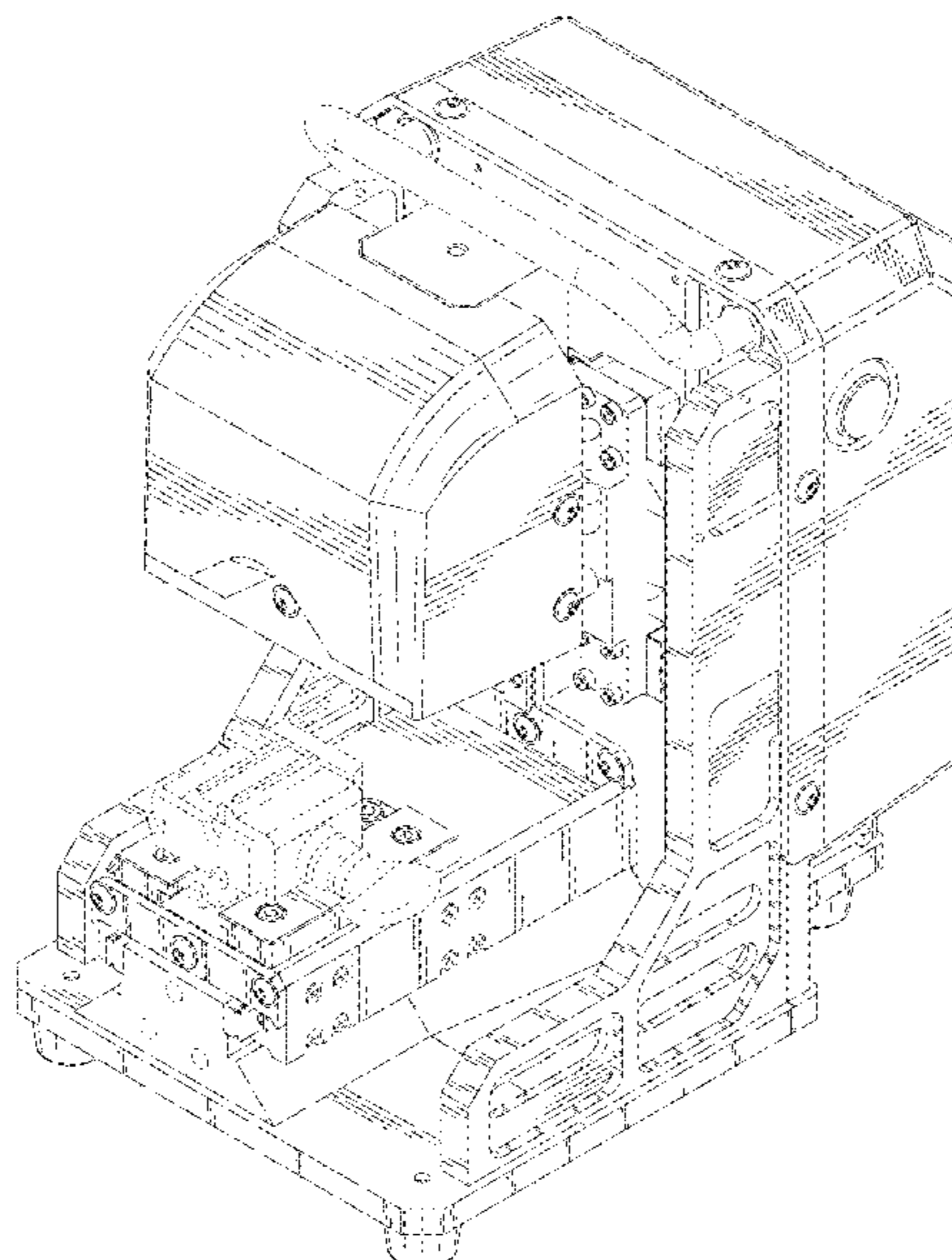
DESCRIPTION

FIG. 1 is a front perspective view of a key making machine
showing my new design;
FIG. 2 is a front elevational view thereof;
FIG. 3 is a rear elevational view thereof;
FIG. 4 is a right side view thereof;
FIG. 5 is a left side view thereof;
FIG. 6 is a top plan view thereof; and,
FIG. 7 is bottom plan view thereof.
The broken lines in the figures depict portions of the key
making machine which form no part of the claimed design.

(56) **References Cited**
U.S. PATENT DOCUMENTS

D193,026 S *	6/1962	Rossetti	D15/125
4,687,389 A *	8/1987	Santii	B23C 3/35 D15/127

1 Claim, 7 Drawing Sheets



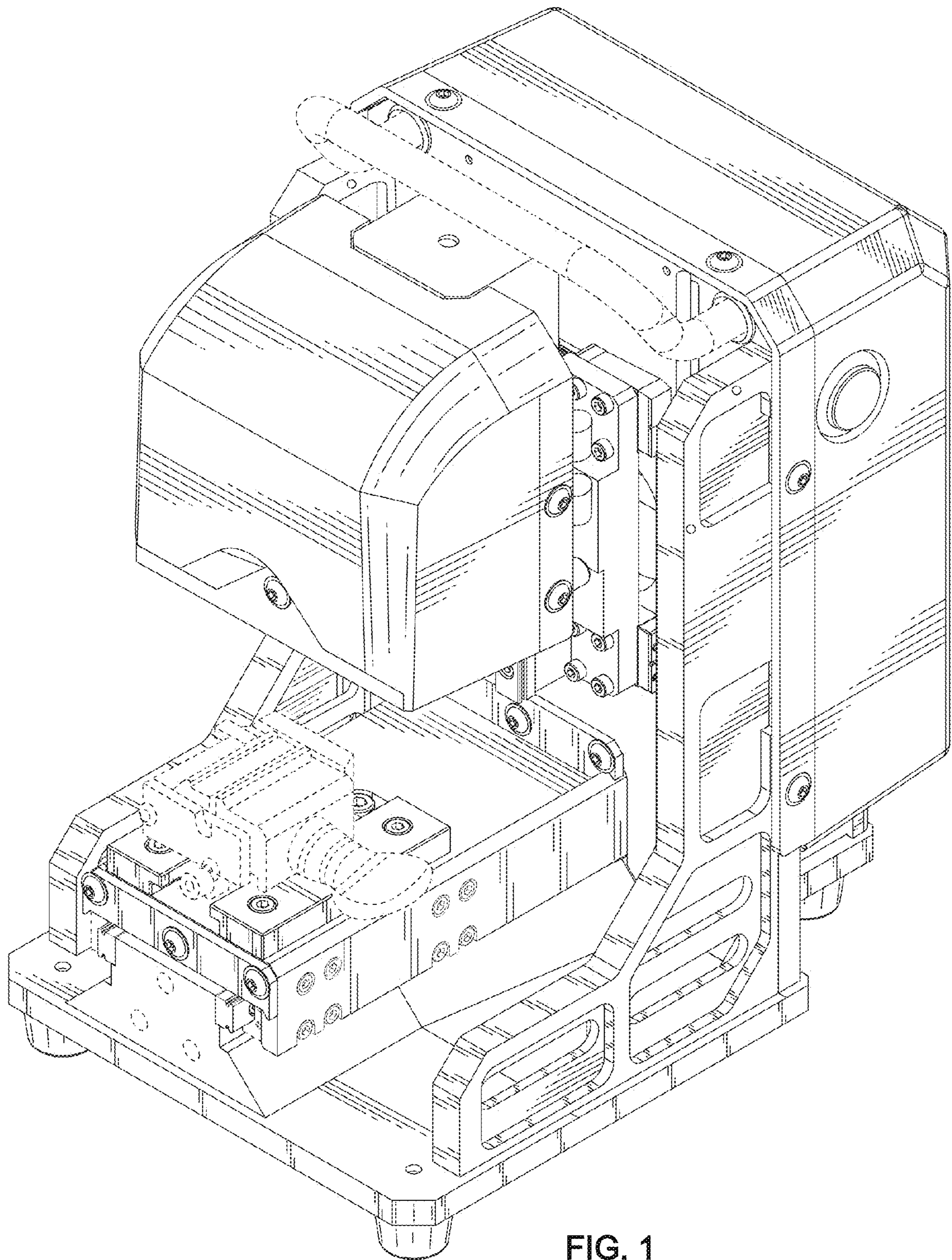


FIG. 1

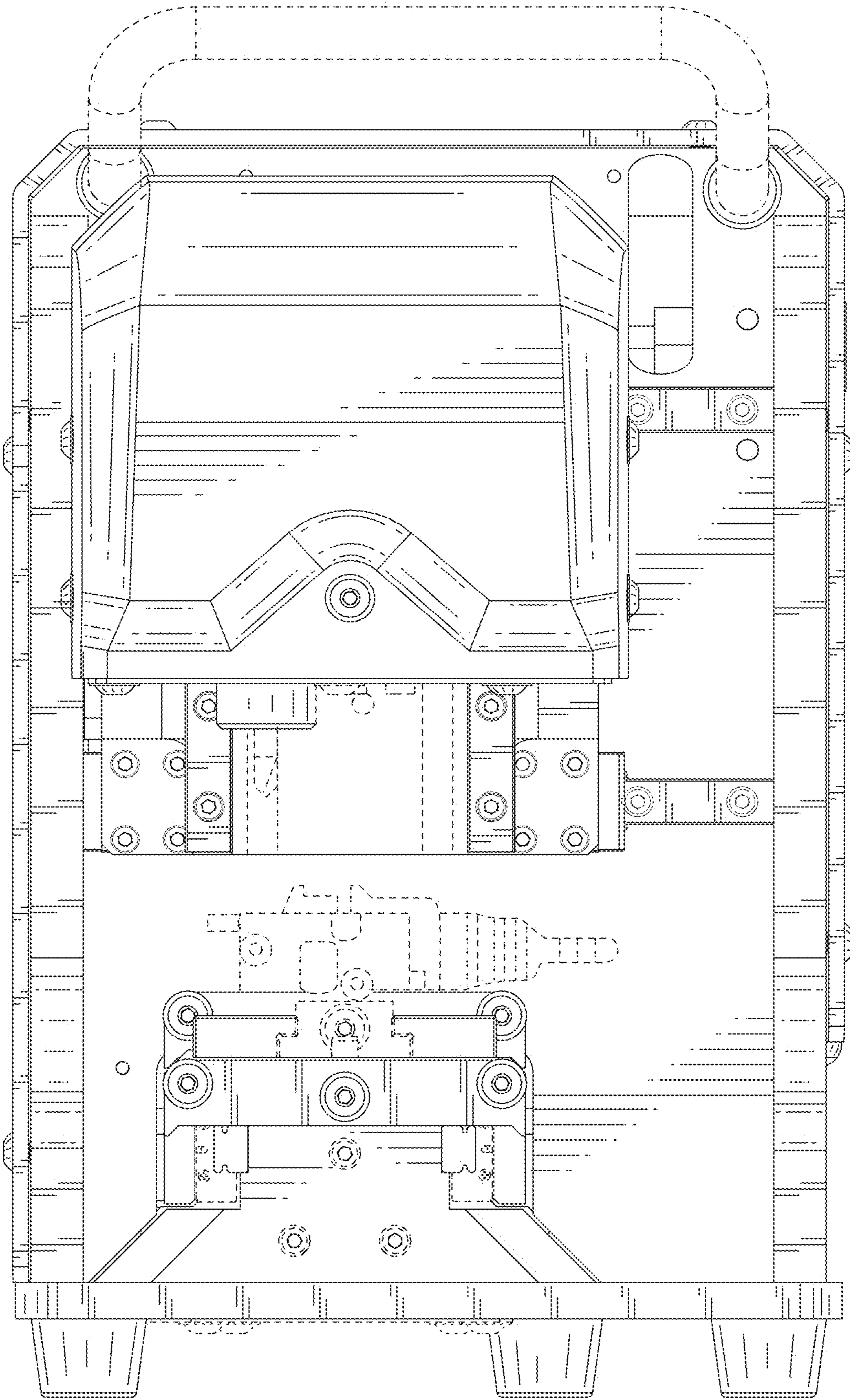


FIG. 2

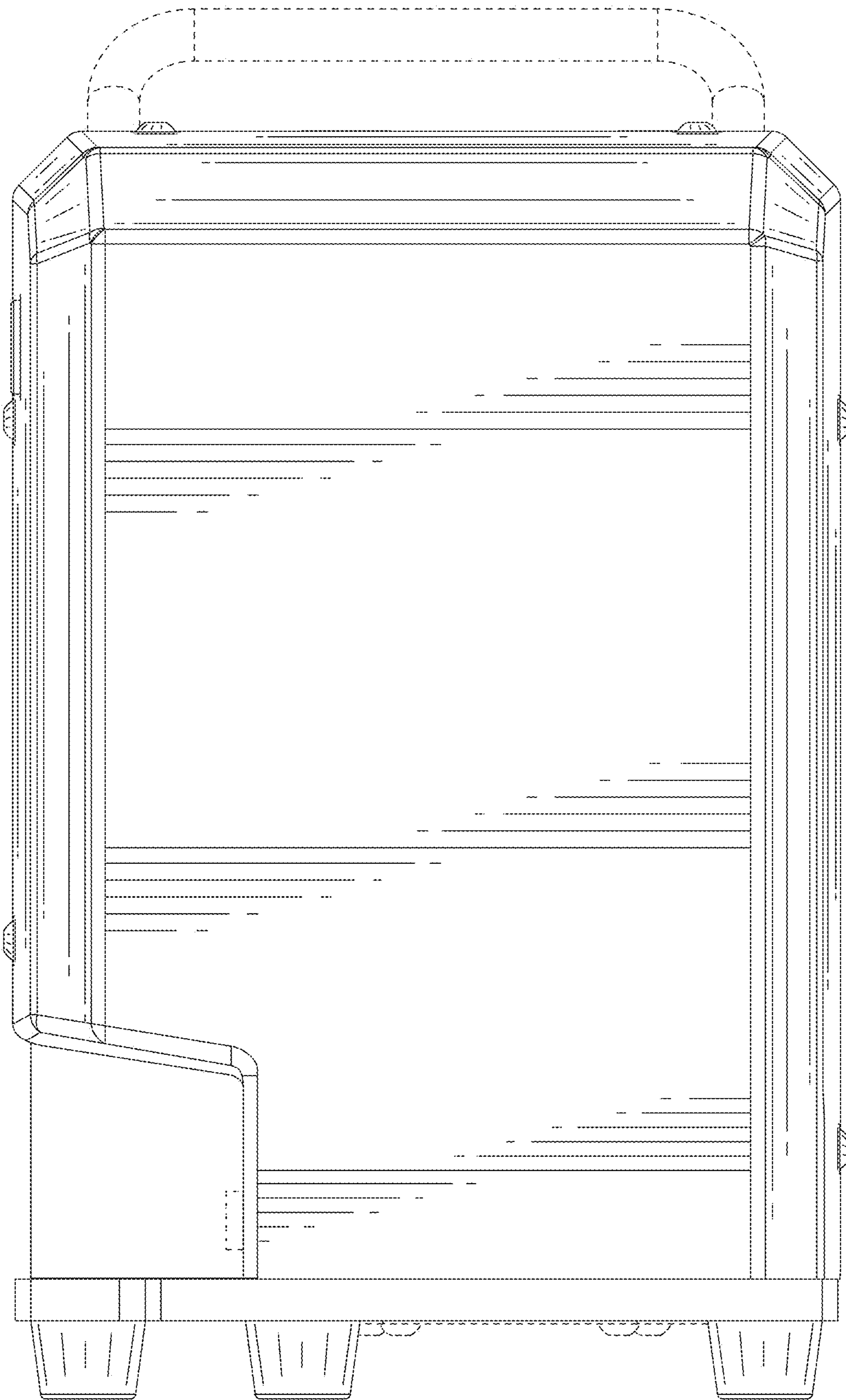


FIG. 3

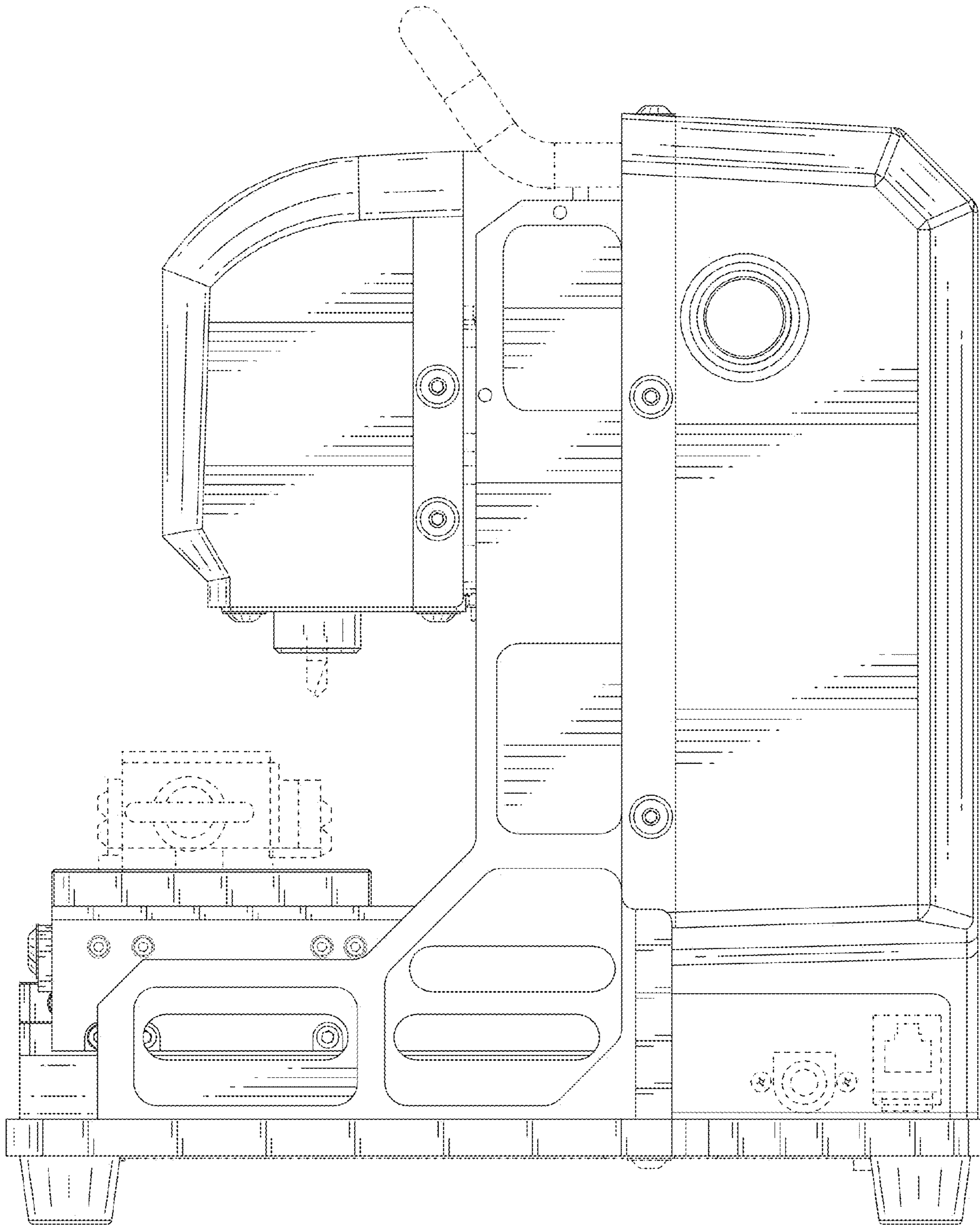


FIG. 4

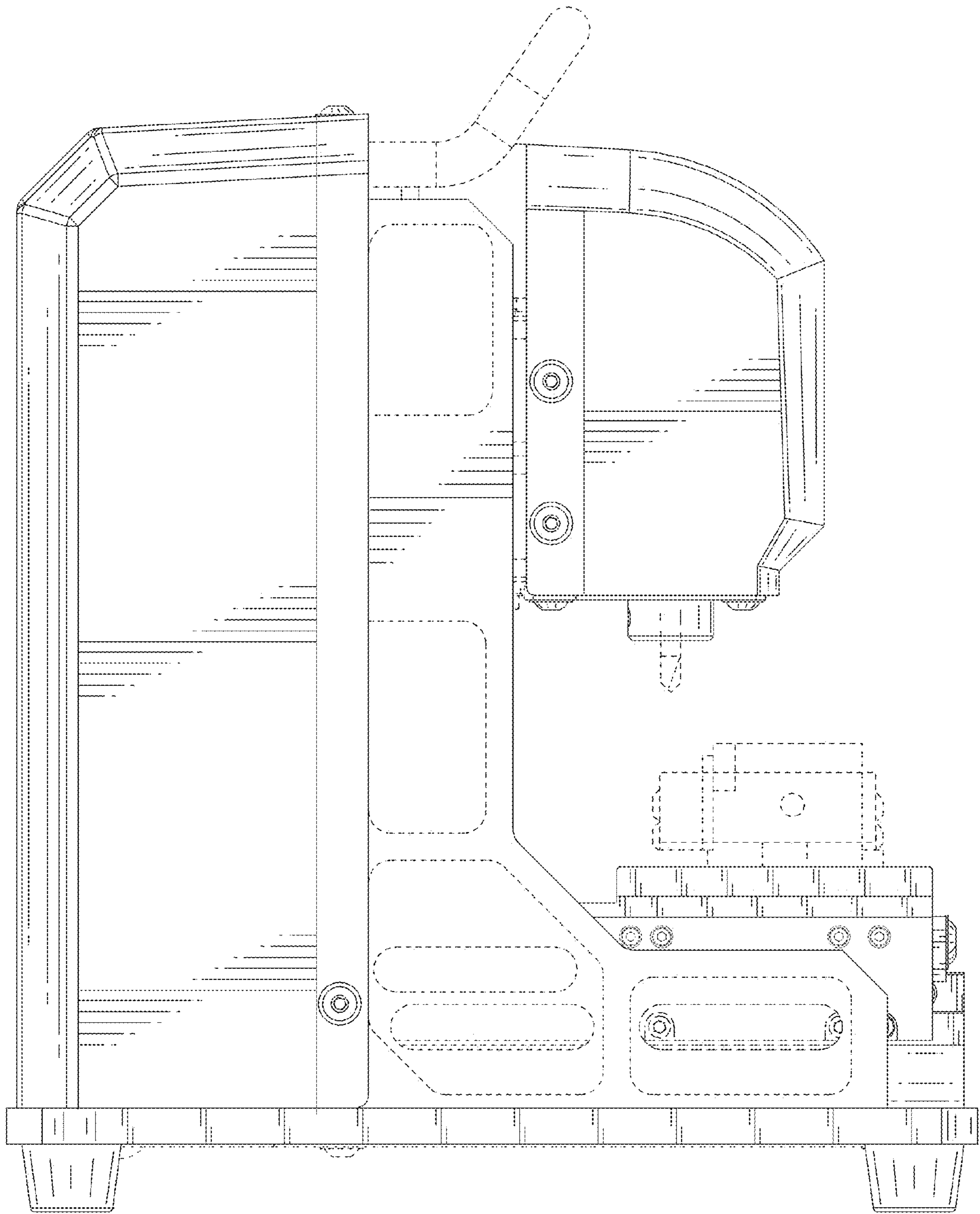


FIG. 5

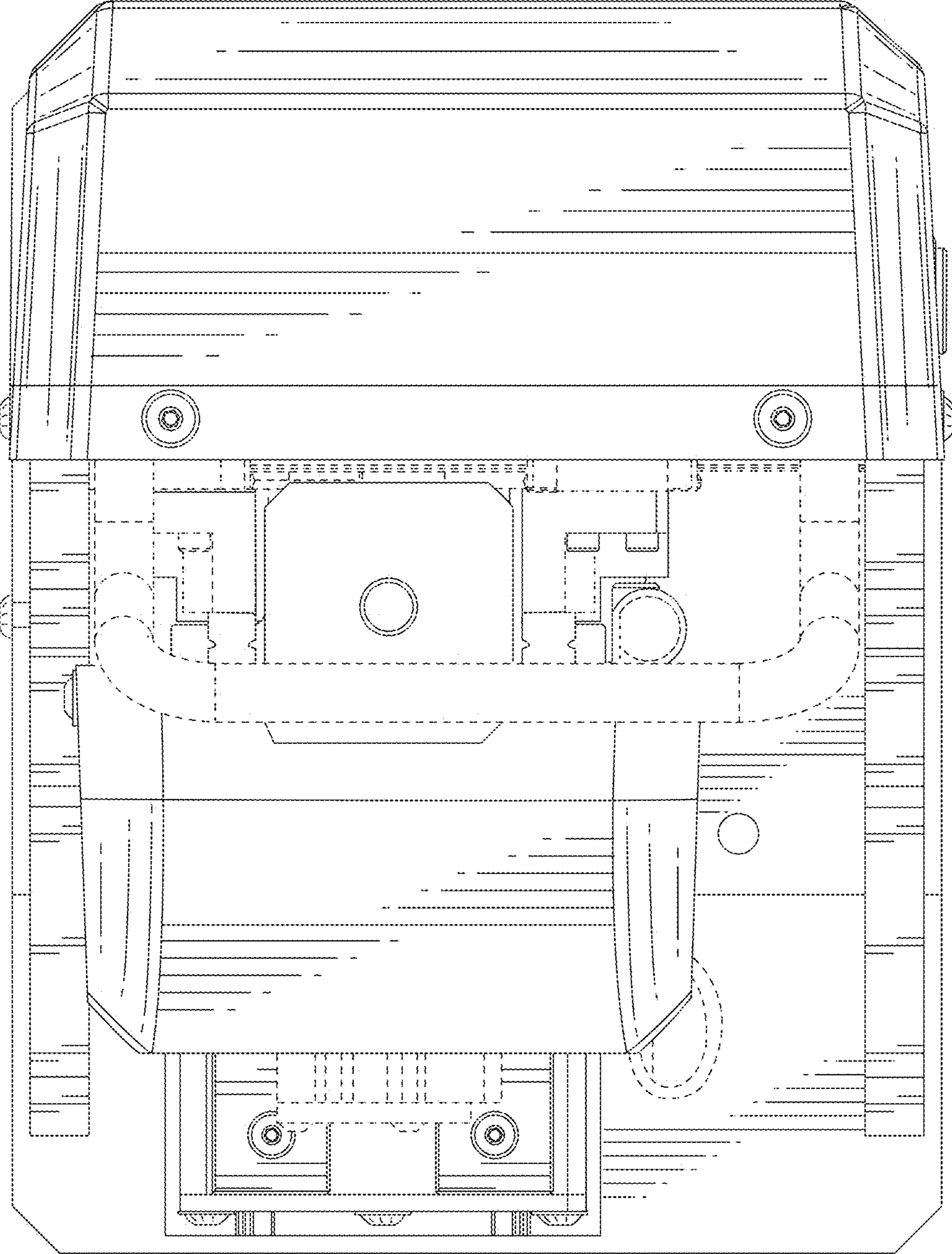


FIG. 6

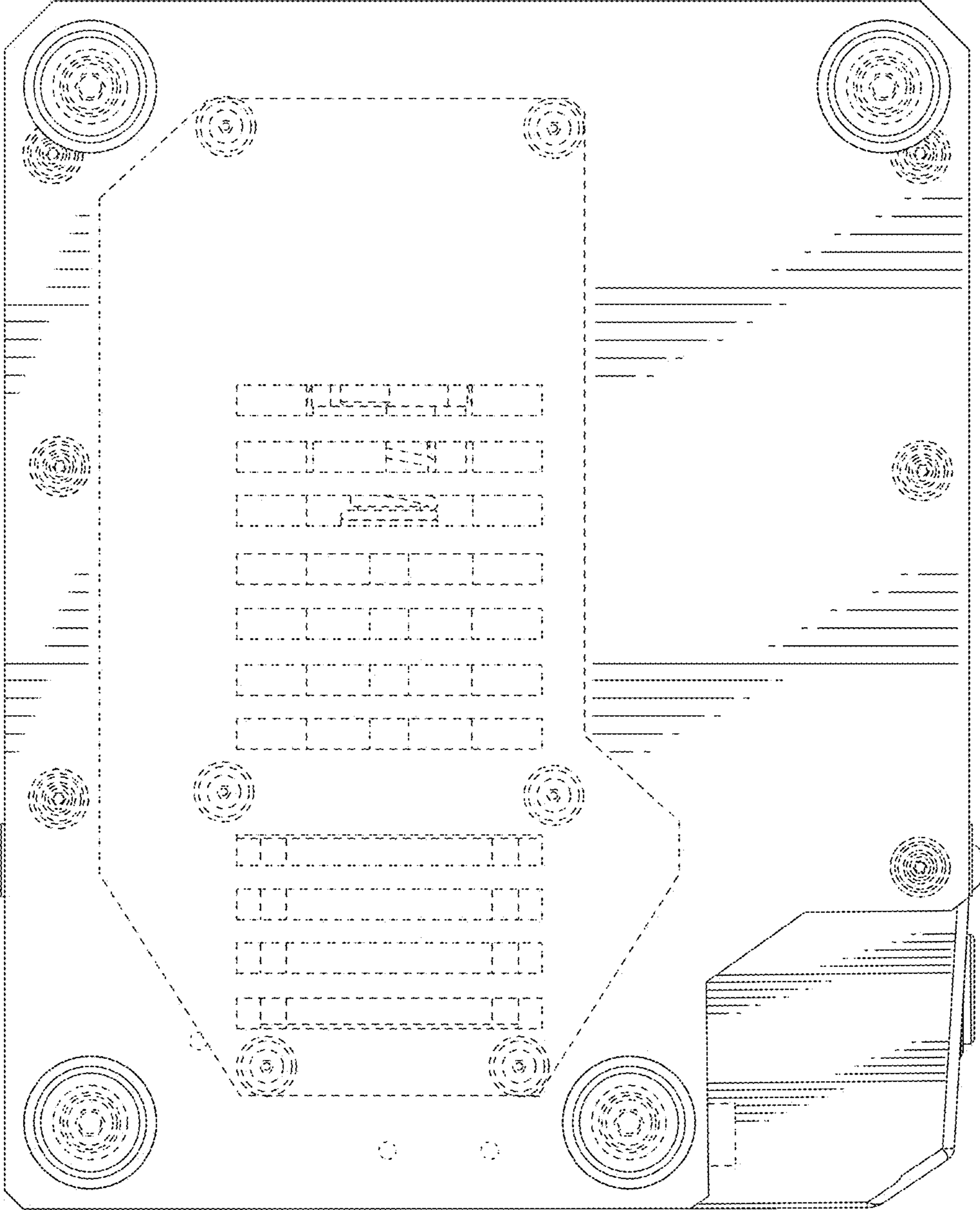


FIG. 7