



US00D985027S

(12) **United States Design Patent** (10) **Patent No.:** **US D985,027 S**
Ji (45) **Date of Patent:** **** May 2, 2023**

(54) **CUTTING MACHINE**

(71) Applicant: **Shanghai Shiyao Import and Export Trade Co., Ltd.**, Shanghai (CN)

(72) Inventor: **Cheng Ji**, Shandong (CN)

(**) Term: **15 Years**

(21) Appl. No.: **29/820,614**

(22) Filed: **Dec. 22, 2021**

(51) **LOC (14) Cl.** **15-09**

(52) **U.S. Cl.**
USPC **D15/123**

(58) **Field of Classification Search**

USPC D15/127, 128, 133, 123; D18/34.1, 34.2, D18/34.3, 34.4, 34.5, 34.6, 34.7, 34.8, D18/34.9, 36, 50, 53, 54
CPC B26D 1/045; B26D 1/065; B26D 1/08; B26D 1/085; B26D 1/10; B26D 1/105; B26D 1/125; B26D 1/147; B26D 1/1475; B26D 1/15; B26D 1/151; B26D 1/153; B26D 1/1535; B26D 1/185; B26D 1/305; B26D 1/34; B26D 1/345; B26D 1/36; B26D 1/365; B26D 1/38; B26D 1/385; B26D 1/56; B26D 1/565; B26D 1/58; B26D 1/585; B26D 5/083; B26D 7/015; B26D 7/025; B26D 7/22; B26D 1/0006; B26D 5/16; B26D 7/2614; B23D 35/008; Y10T 83/7763; Y10T 83/8822; Y10T 83/885; Y10T 83/8851; Y10T 83/7507; Y10T 83/8874; Y10T 83/8814; Y10T 83/9493; Y10T 83/7533; Y10T 83/8821; Y10T 83/828; Y10T 83/872; Y10T 83/8841; Y10S 83/955

See application file for complete search history.

(56) **References Cited**

U.S. PATENT DOCUMENTS

D187,892 S * 5/1960 Kluge D18/36
D225,273 S * 11/1972 King, Sr. D8/51
D273,121 S * 3/1984 Rawson D18/15
D285,097 S * 8/1986 Lord D19/72

(Continued)

FOREIGN PATENT DOCUMENTS

CN 3351480 * 2/2004
CN 306098686 * 10/2020
GB 4022385 * 1/2012
KR 300676861.0000 * 1/2013

OTHER PUBLICATIONS

Vevor. Link: https://www.vevor.com/paper-cutter-c_10879/corner-rounder-cutter-r6-r10-heavy-duty-commercial-cutting-30-mm-metal-for-books-p_010566173324. Visited Aug. 16, 2022. HFS (R) Heavy Duty Guillotine Paper Cutter (Year: 2022).*

(Continued)

Primary Examiner — Lauren D McVey

(74) *Attorney, Agent, or Firm* — Che-Yang Chen; Law Office of Michael Chen

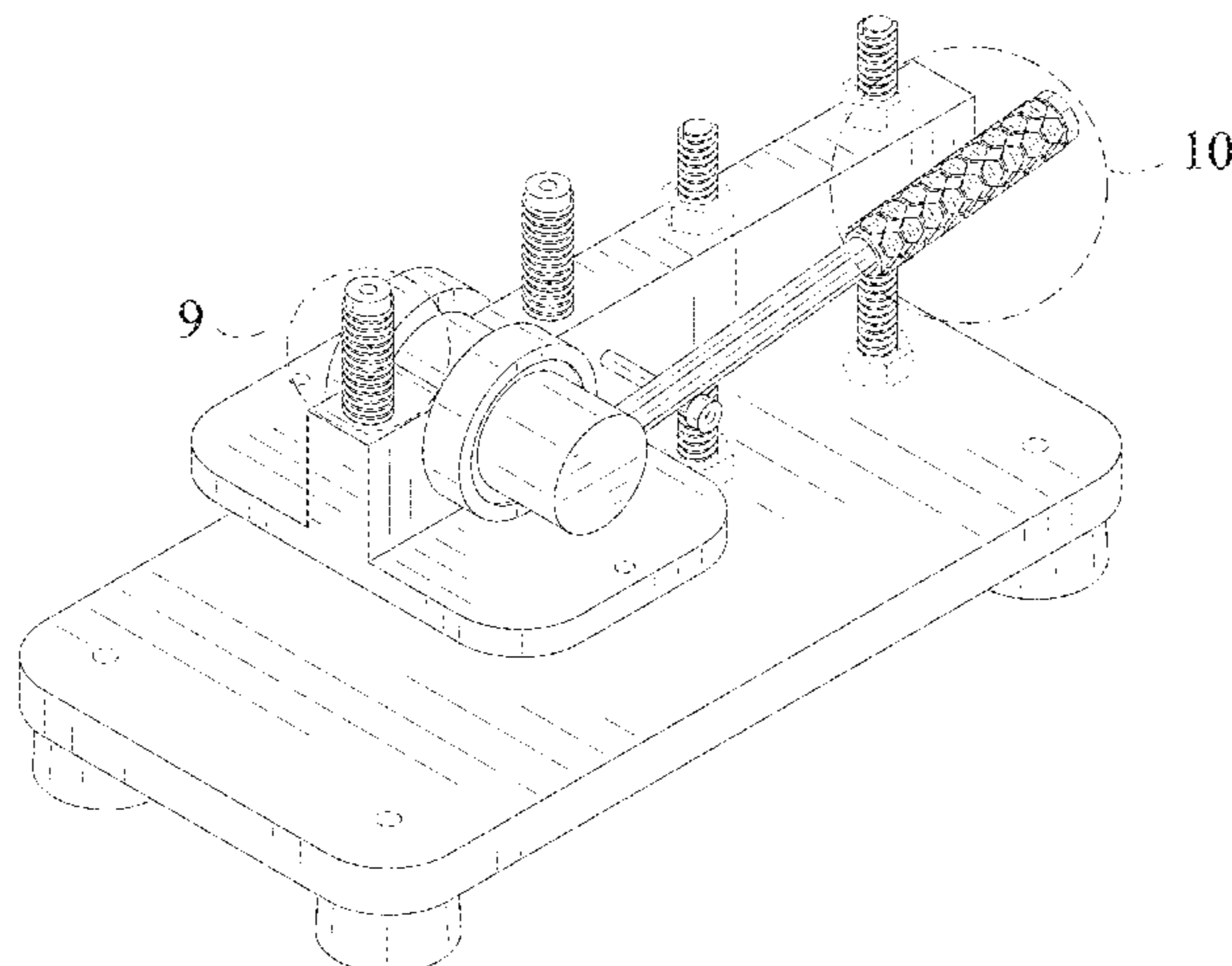
(57) **CLAIM**

The ornamental design for a cutting machine, as shown and described.

DESCRIPTION

FIG. 1 is a perspective view of the cutting machine showing my new design;
FIG. 2 is a perspective view thereof from another angle;
FIG. 3 is a front elevational view thereof;
FIG. 4 is a rear elevational view thereof;
FIG. 5 is a left side elevational view thereof;
FIG. 6 is a right side elevational view thereof;
FIG. 7 is a top plan view thereof;
FIG. 8 is a bottom plan view thereof;
FIG. 9 is an enlarged view thereof for a portion indicated with numeric 9 in FIG. 1; and,
FIG. 10 is an enlarged view thereof for a portion indicated with numeric 10 in FIG. 1.

1 Claim, 10 Drawing Sheets



(56)

References Cited

U.S. PATENT DOCUMENTS

D341,842	S *	11/1993	Eichenberg	D15/123
D346,540	S *	5/1994	Crawley	D15/127
D359,967	S *	7/1995	Eichenberg	D15/123
D397,123	S *	8/1998	Hardy	D15/128
D472,564	S *	4/2003	Corcoran	D15/123
6,945,166	B2 *	9/2005	Corcoran	B26D 5/16 100/291
D518,494	S *	4/2006	Rapp	D15/123
D527,399	S	8/2006	Belter	
D614,214	S	4/2010	Vander Woude	
D846,606	S	4/2019	Demelo	
D872,779	S *	1/2020	Di Nardo	D15/123
2006/0123969	A1 *	6/2006	Fujita	B26D 7/025 83/697

OTHER PUBLICATIONS

Vevor. Link: https://www.vevor.com/leather-cutting-machine-c_11164/260x150-mm-leather-cutting-machine-manual-embossing-machines-plastic-sheet-p_010859579101?gclid=EAIaIQobChMlqYO30O7L-QIVWcDICH115gDUEAQYCyABEgLhJPD_BwE. Visited Aug. 16, 2022. Leather Cutting Machine (Year: 2022).*

Amazon. Link: <https://www.amazon.com/BONATE-Heavy-Guillotine-Paper-Cutter/dp/B08697FJMG?th=1>. Mar. 23, 2020. Texalan Heavy Duty Guillotine Paper Cutter (Year: 2020).*

Amazon. Link: https://www.amazon.com/HFS-Heavy-Guillotine-Paper-Cutter/dp/B00NO7PYYI/ref=psdc_12896551_t1_B08697FJMG. Sep. 17, 2014. HFS (R) Heavy Duty Guillotine Paper Cutter (Year: 2014).*

* cited by examiner

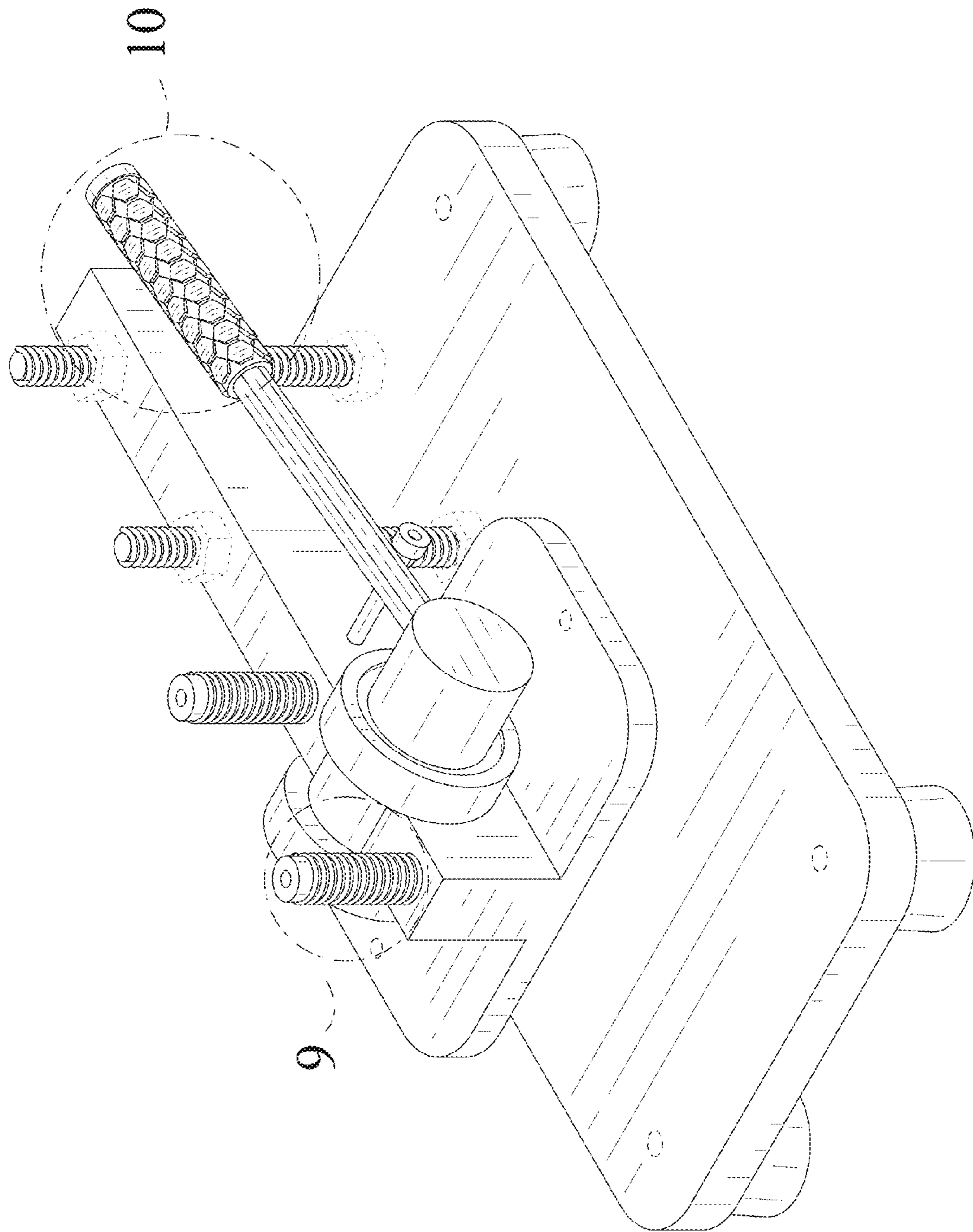


FIG. 1

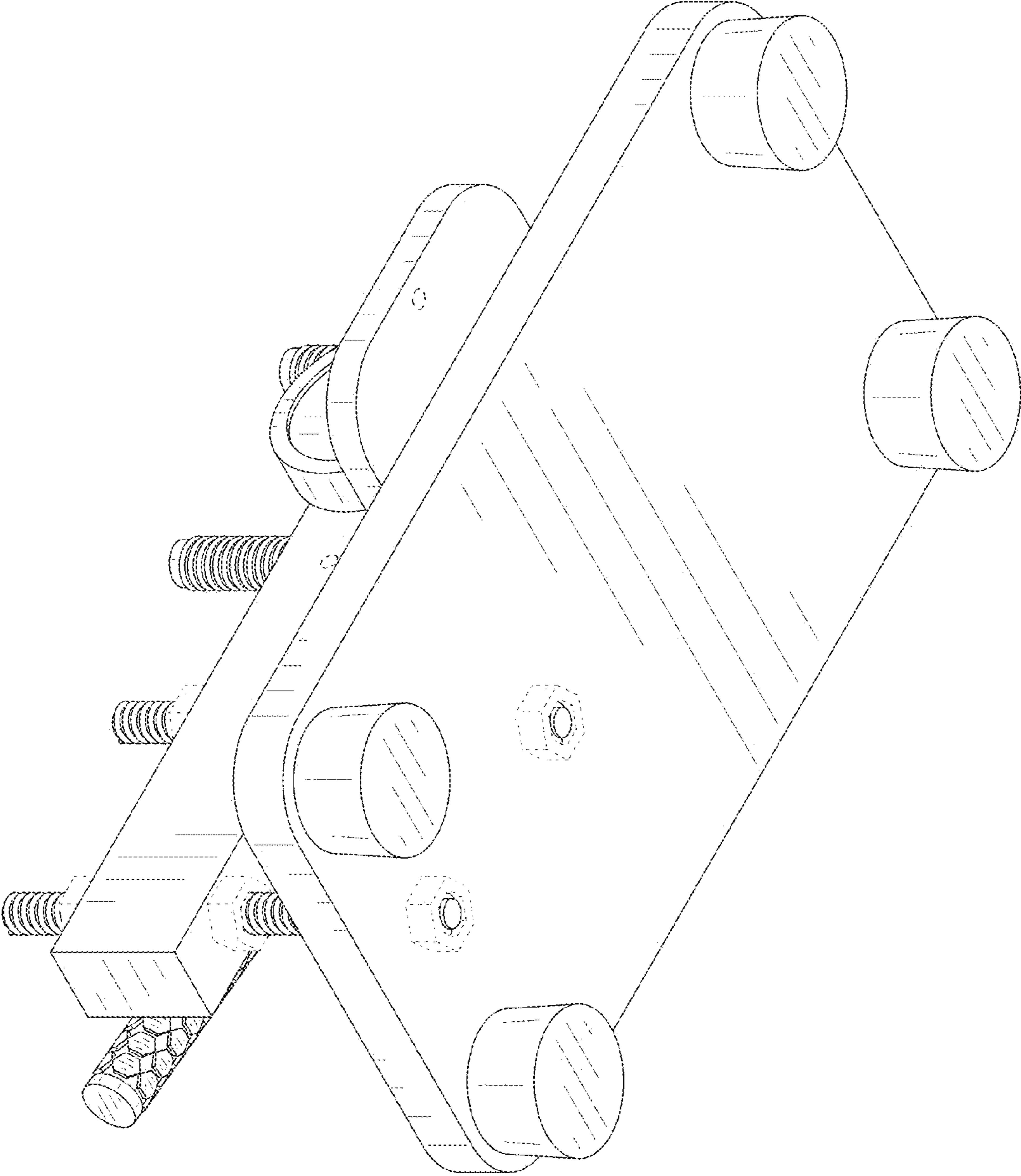


FIG. 2

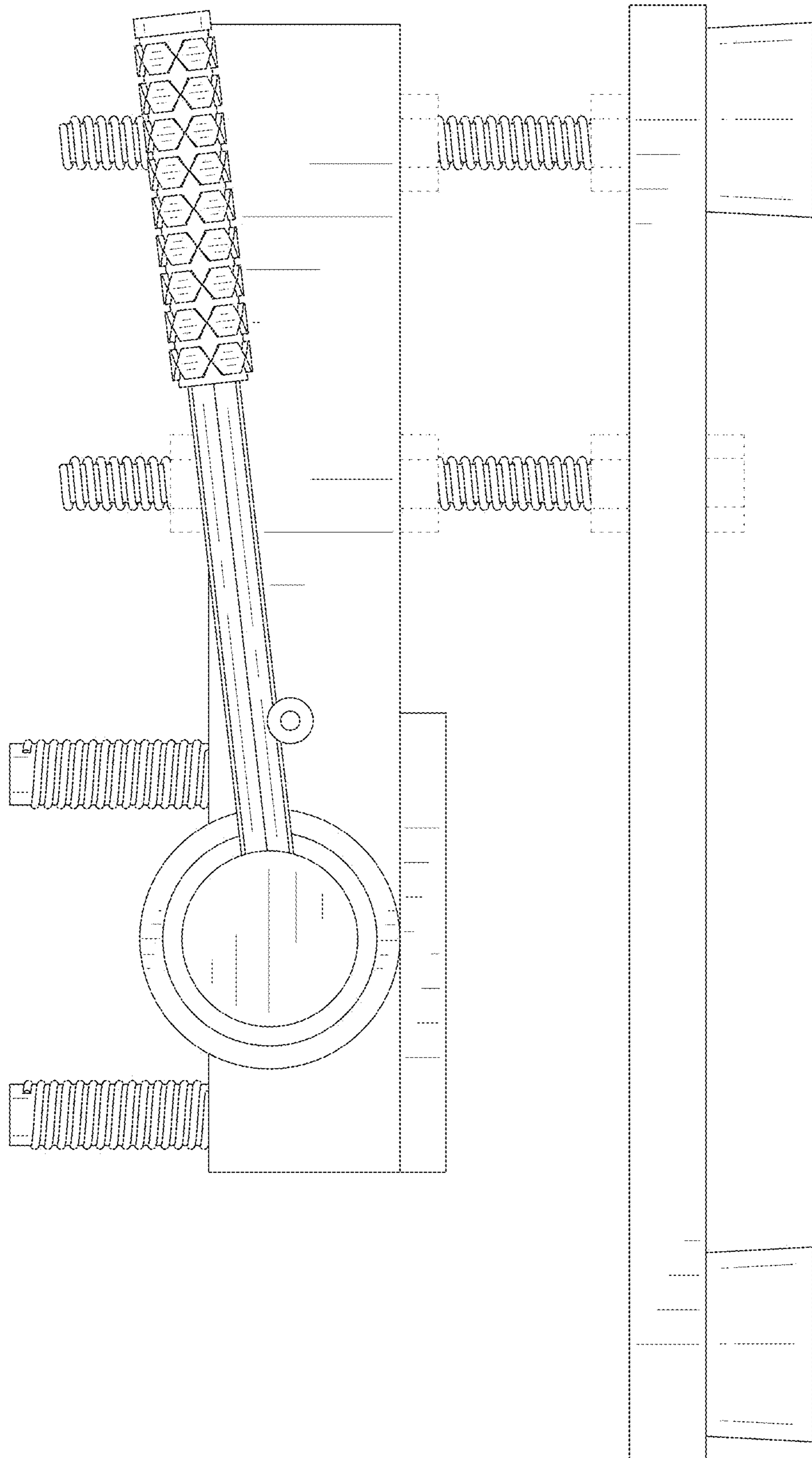


FIG. 3

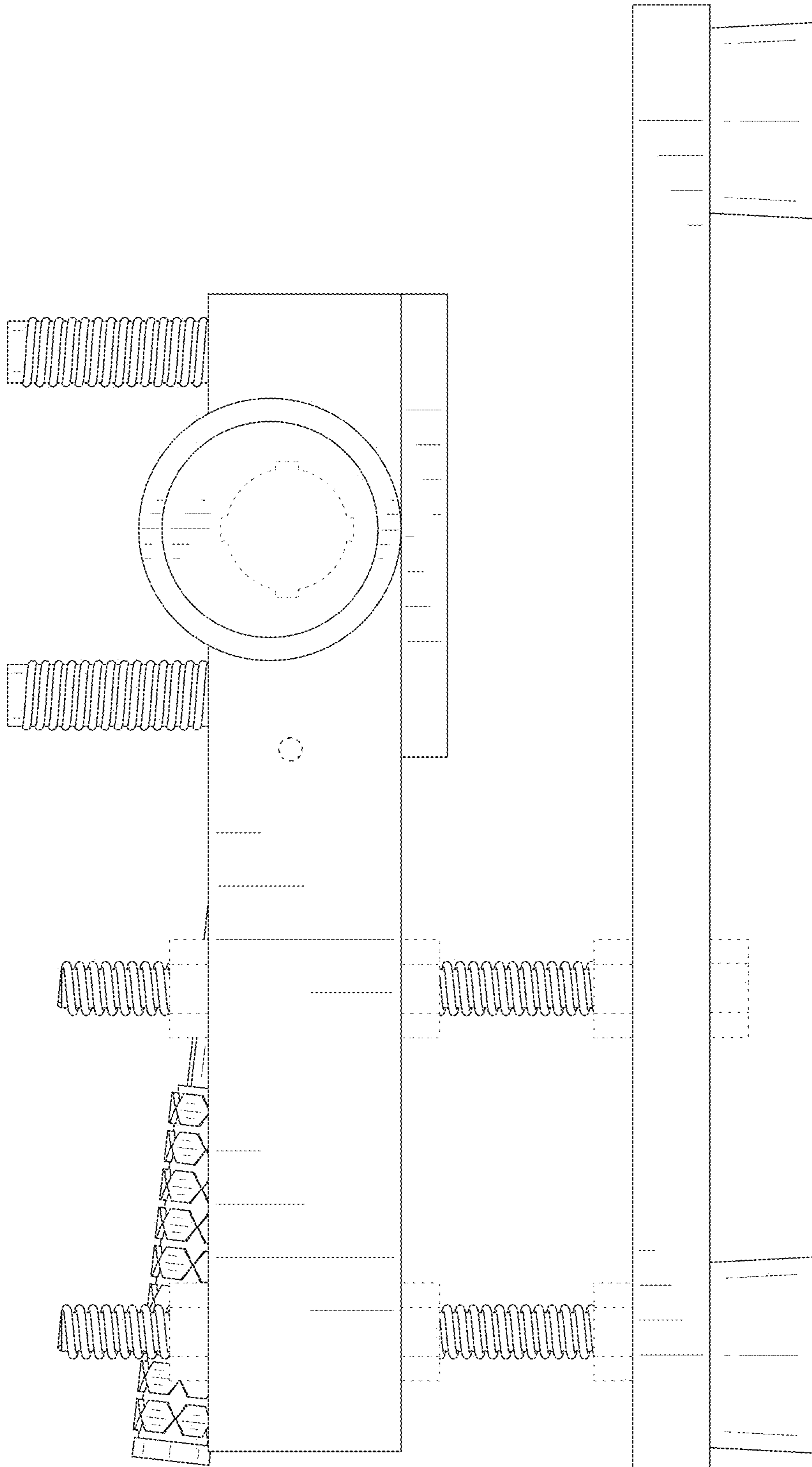


FIG. 4

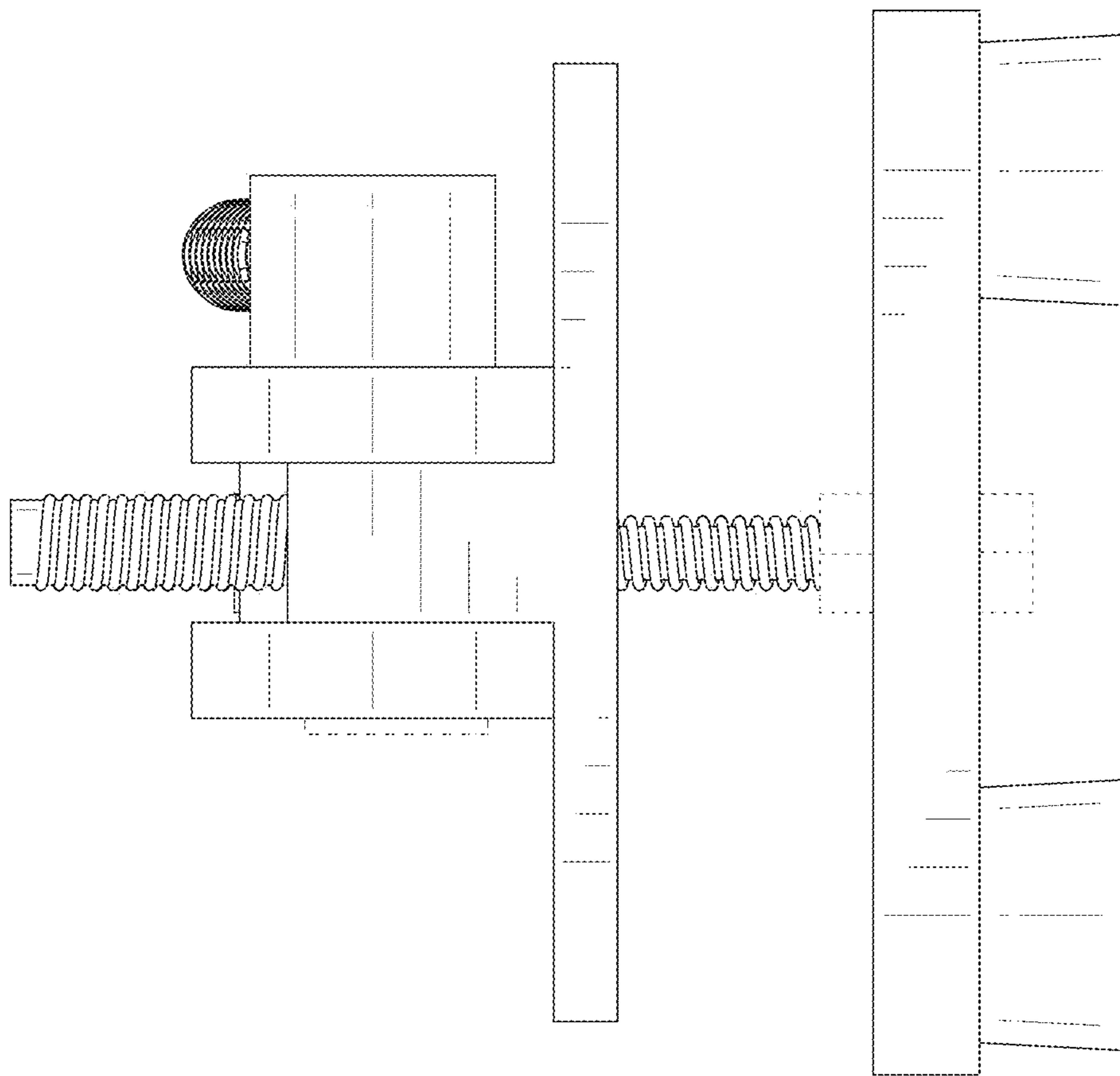


FIG. 5

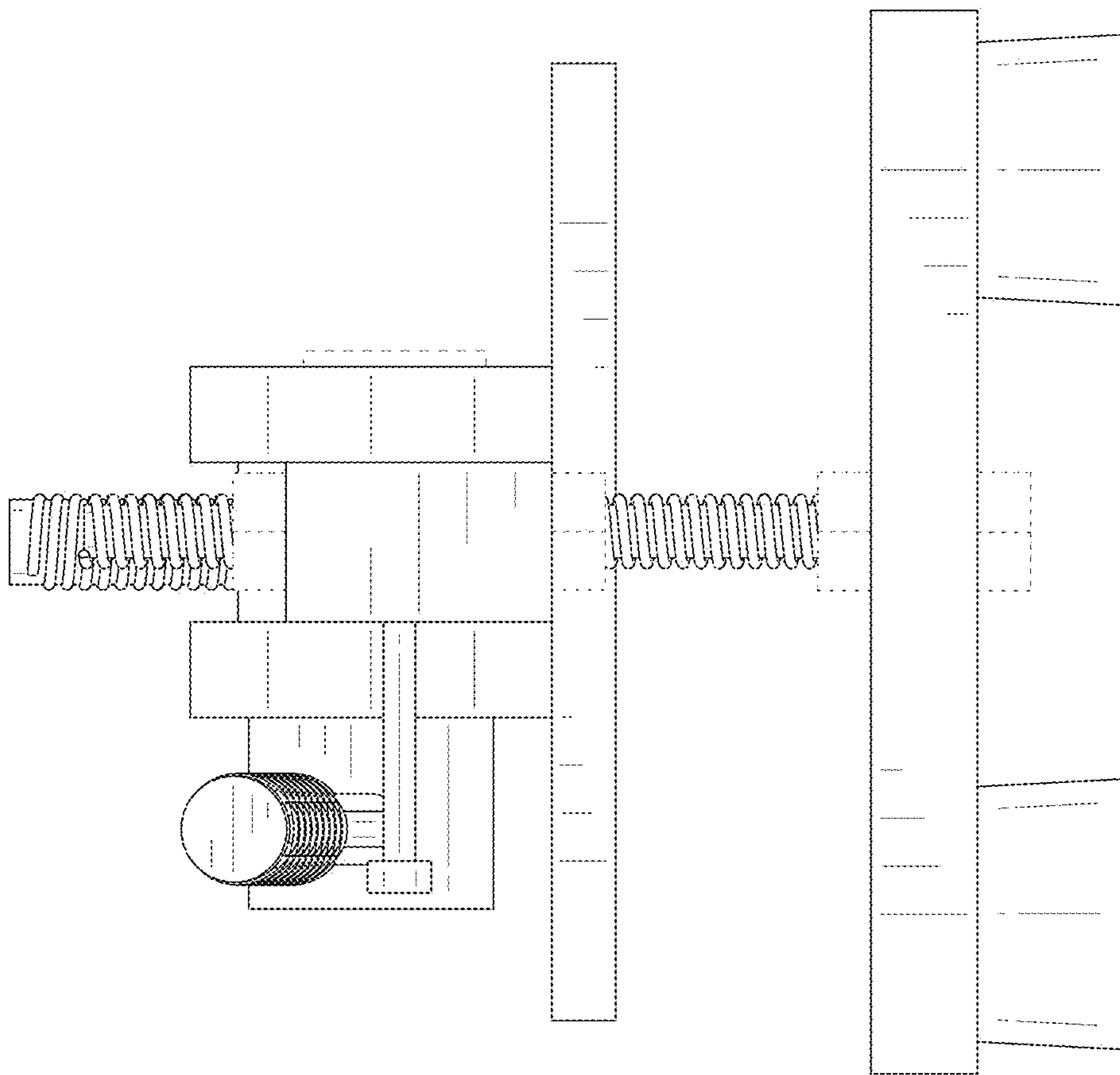


FIG. 6

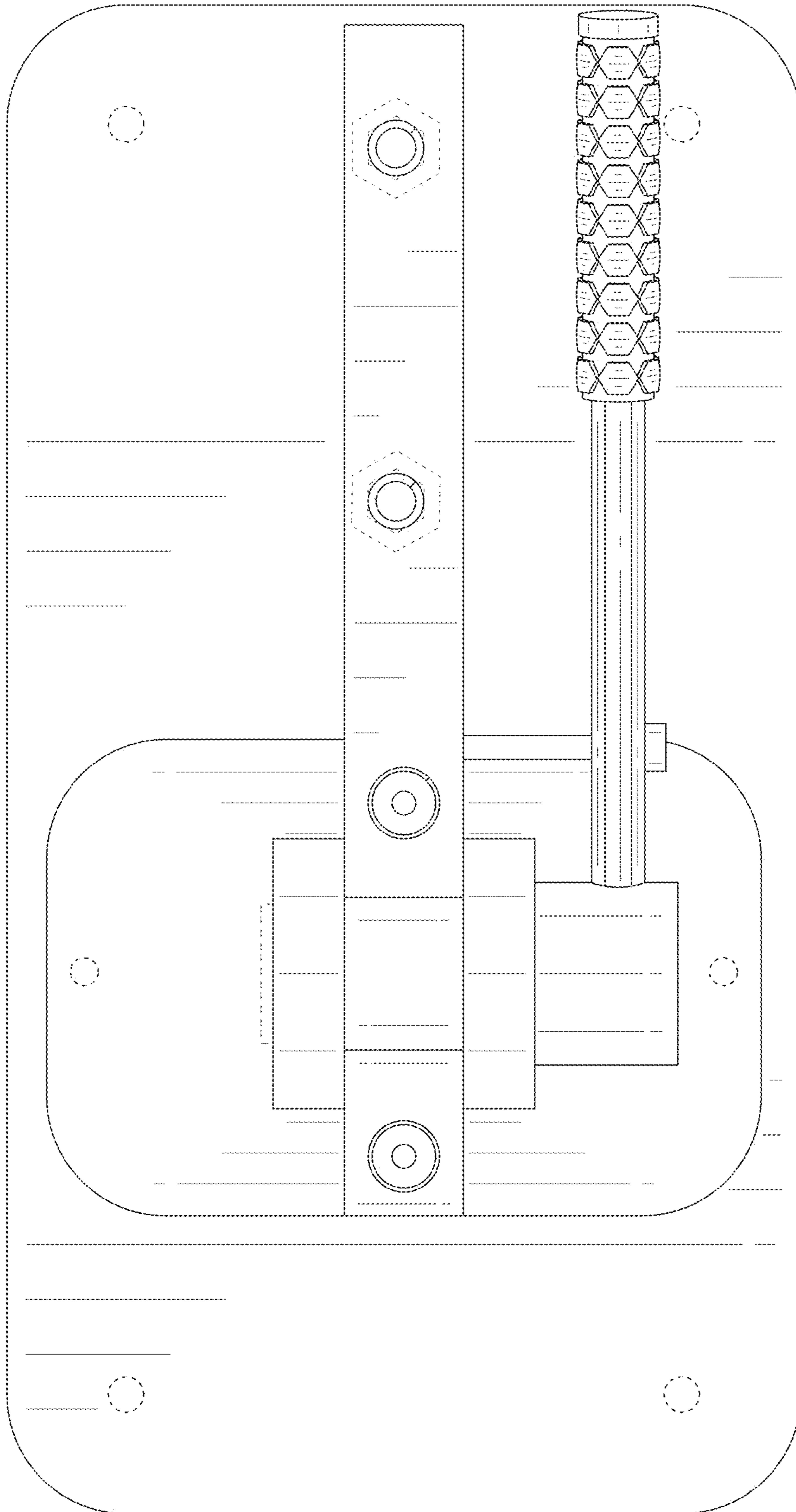


FIG. 7

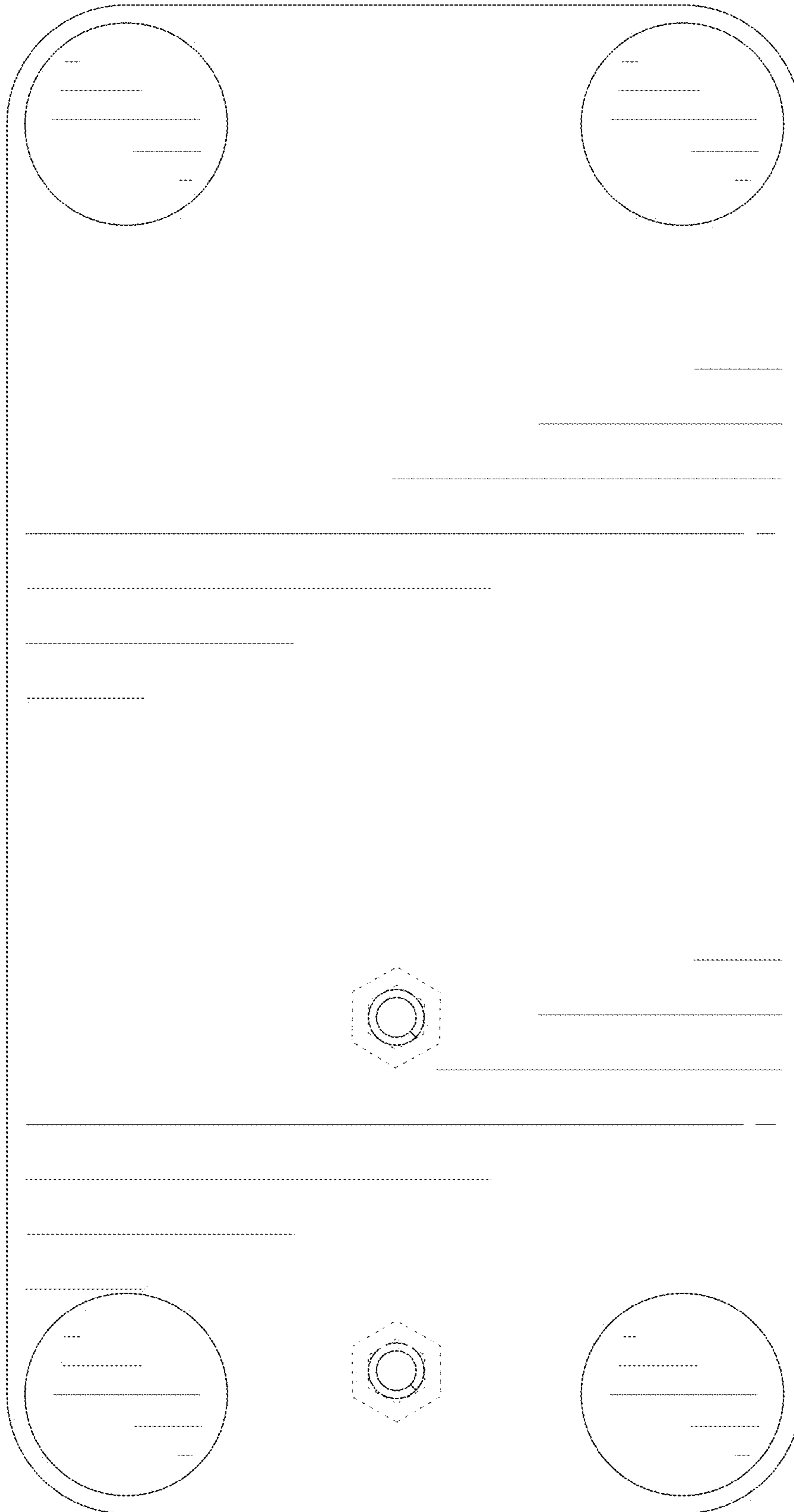


FIG. 8

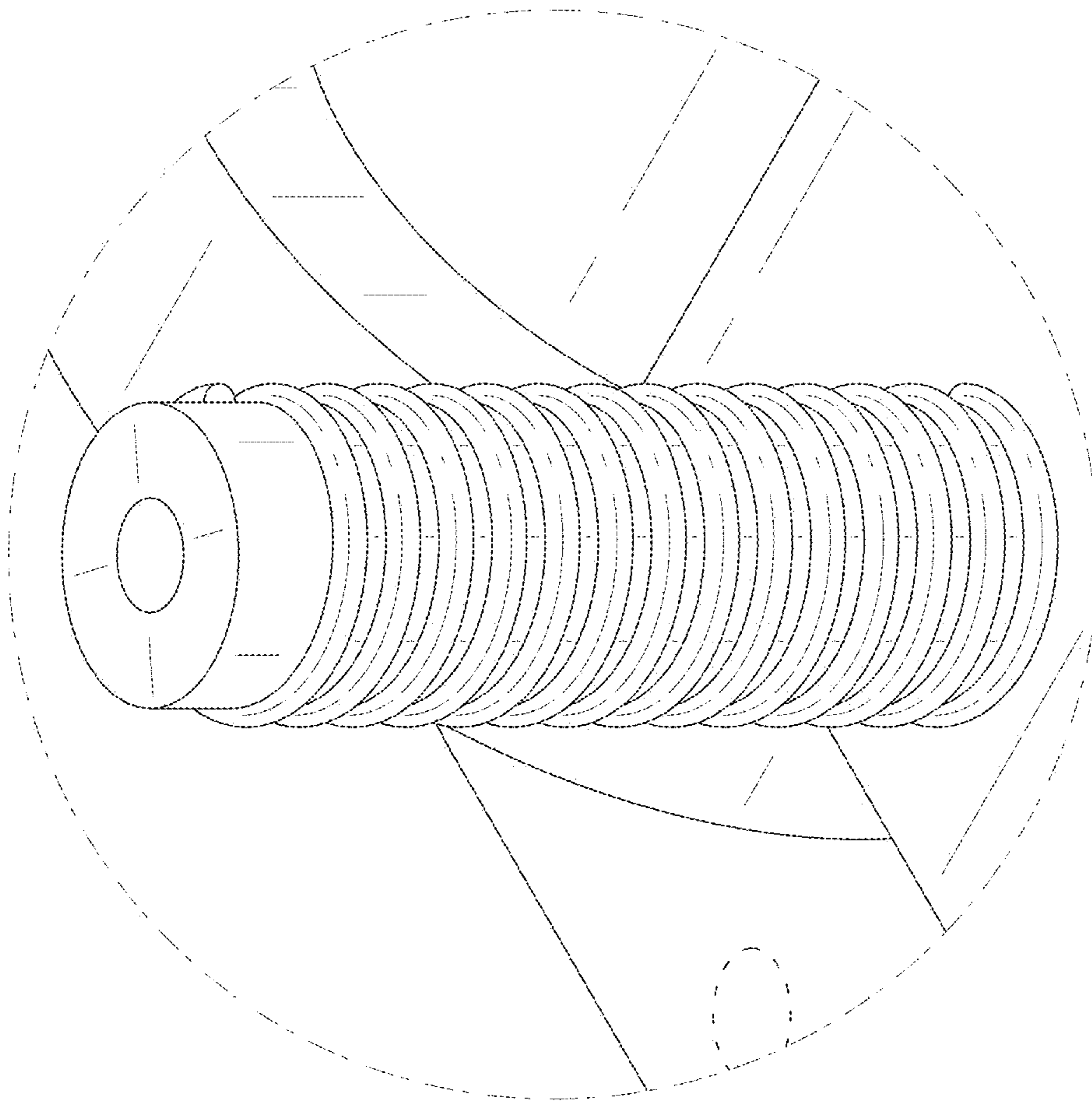


FIG. 9

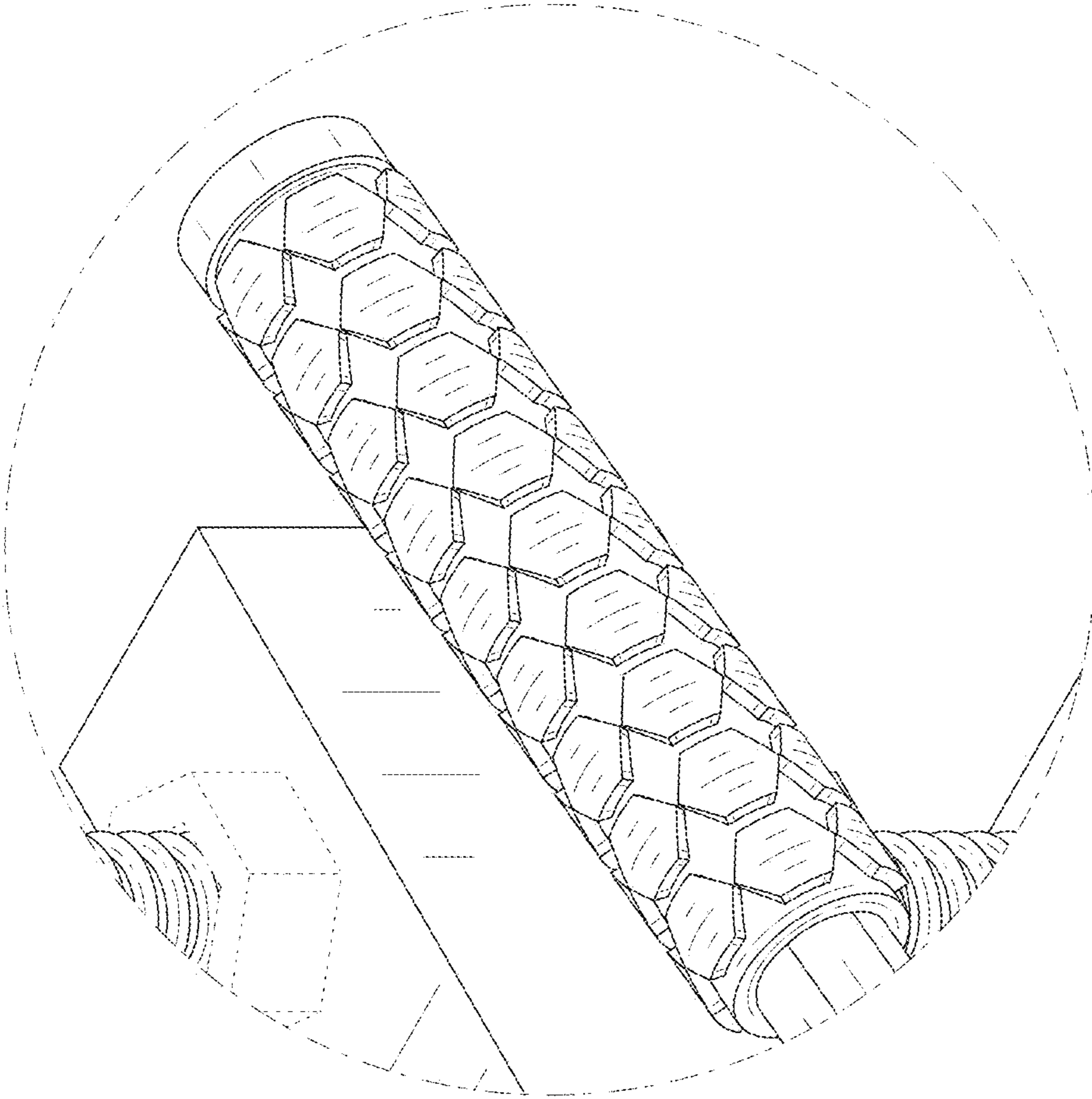


FIG. 10