



US00D985025S

(12) **United States Design Patent**  
**Xia**

(10) **Patent No.:** **US D985,025 S**

(45) **Date of Patent:** **\*\* May 2, 2023**

(54) **NUGGET ICE MAKER**

(71) Applicant: **Xing Xia**, New York, NY (US)

(72) Inventor: **Xing Xia**, New York, NY (US)

(73) Assignee: **MOHAWK GROUP INC**

(\*\*) Term: **15 Years**

(21) Appl. No.: **29/764,959**

(22) Filed: **Jan. 5, 2021**

(51) **LOC (14) Cl.** ..... **15-07**

(52) **U.S. Cl.**

USPC ..... **D15/89**

(58) **Field of Classification Search**

USPC .... D15/79, 80, 81, 82, 89, 91; D7/306, 307,  
D7/308, 309, 311

CPC ..... F25C 1/00; F25C 1/02; F25C 5/02; F25C  
5/18; F25C 5/20; F25C 5/046; F25C  
5/187; F25C 2700/00; F25C 2700/02;  
F25C 2700/04; F25C 2700/10

See application file for complete search history.

(56) **References Cited**

**U.S. PATENT DOCUMENTS**

D431,576 S	*	10/2000	Okuda	.....	D15/80
D734,371 S	*	7/2015	Lei	.....	D15/80
D745,576 S	*	12/2015	Sherman	.....	D15/80
D781,930 S	*	3/2017	Ward	.....	D15/79
D937,909 S	*	12/2021	Pan	.....	D15/80
D941,888 S	*	1/2022	Knatt	.....	D15/80

D955,446 S \* 6/2022 Lin ..... F25C 5/182

D15/79

D971,277 S \* 11/2022 Hu ..... D15/80

2016/0138846 A1 \* 5/2016 Kim ..... F25C 5/182

62/344

**OTHER PUBLICATIONS**

Homelabs Nugget Ice Maker, available in Amazon.com, date first available Jun. 14, 2021 [online], [Dec. 7, 2022], Available from the internet URL: [https://www.amazon.com/dp/B0977DWMP4?ref\\_cm\\_sw\\_r\\_cp\\_ud\\_dp\\_VKZJ5N6A9032HF52QN74](https://www.amazon.com/dp/B0977DWMP4?ref_cm_sw_r_cp_ud_dp_VKZJ5N6A9032HF52QN74) (Year: 2021).\*

\* cited by examiner

*Primary Examiner* — Calvin E Vansant

*Assistant Examiner* — Eidiol Ghigliotty Torres

(57) **CLAIM**

The ornamental design for a nugget ice maker, as shown and described.

**DESCRIPTION**

FIG. 1 is a perspective view of a nugget ice maker showing my new design;

FIG. 2 is a front elevational view thereof;

FIG. 3 is a rear elevational view thereof;

FIG. 4 is a left side elevational view thereof;

FIG. 5 is a right side elevational view thereof;

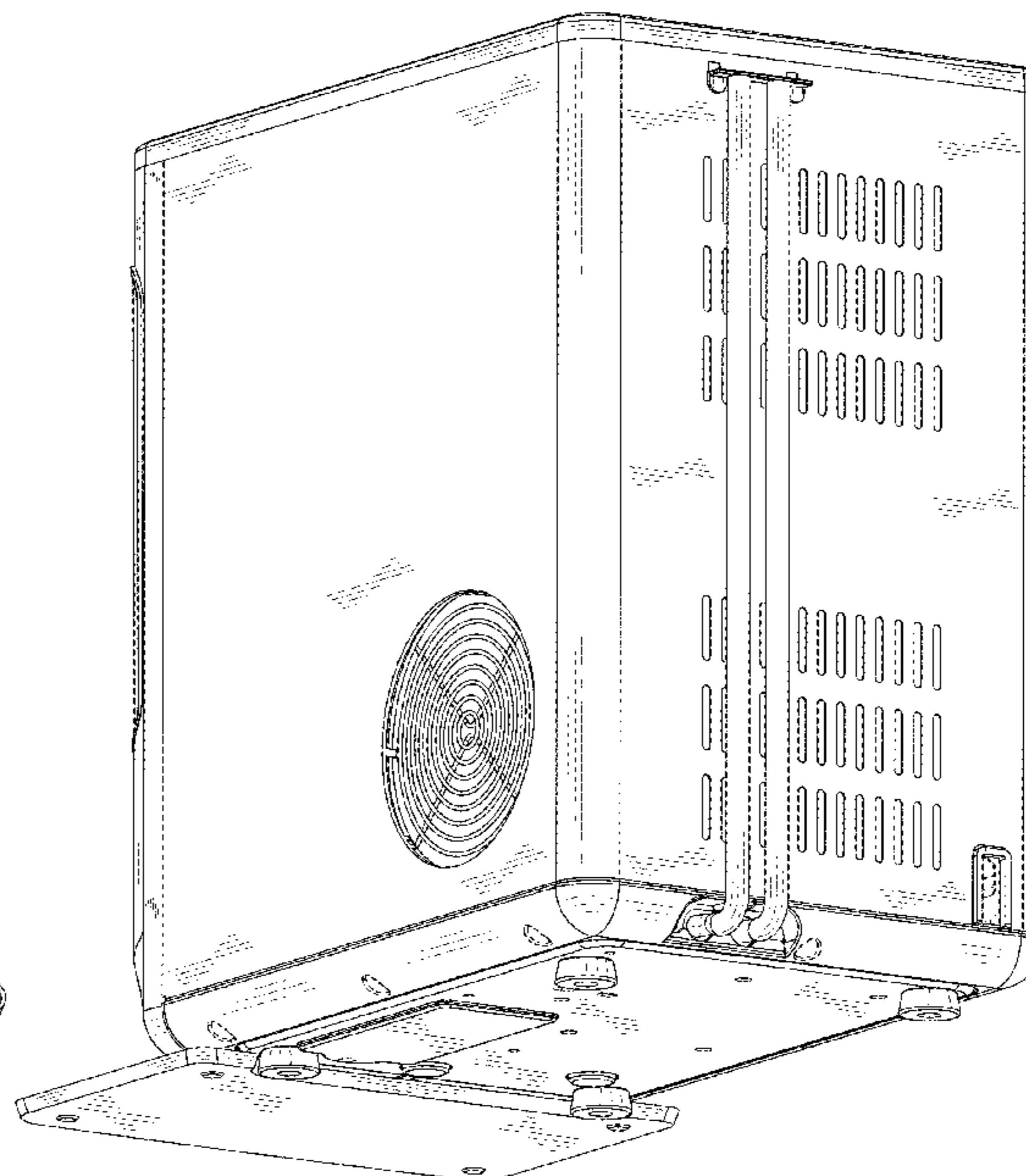
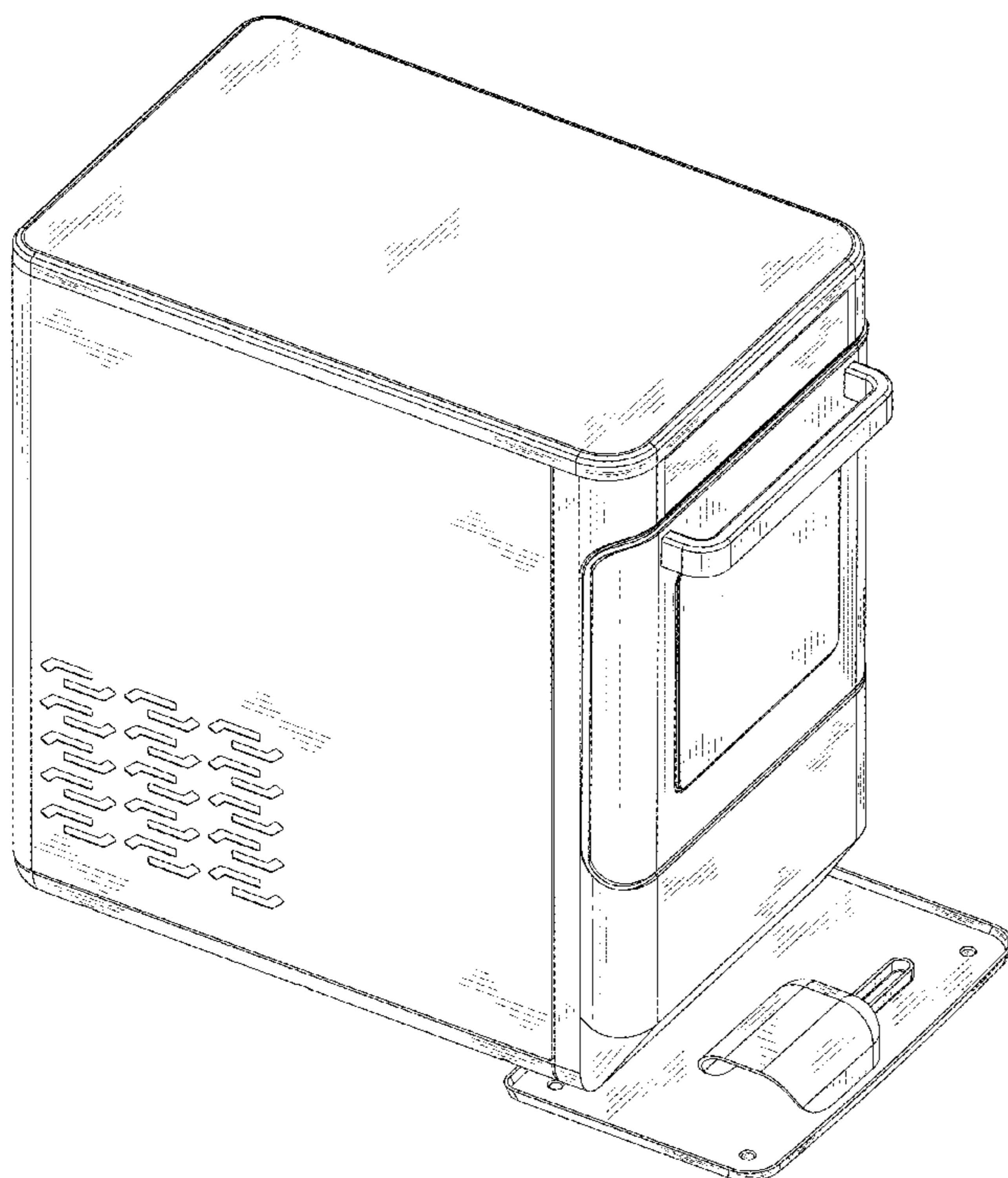
FIG. 6 is a top plan view thereof;

FIG. 7 is a bottom plan view thereof; and,

FIG. 8 is another perspective view thereof.

The broken lines throughout the drawing figures depict portions of the nugget ice maker that form no part of the claimed design.

**1 Claim, 8 Drawing Sheets**



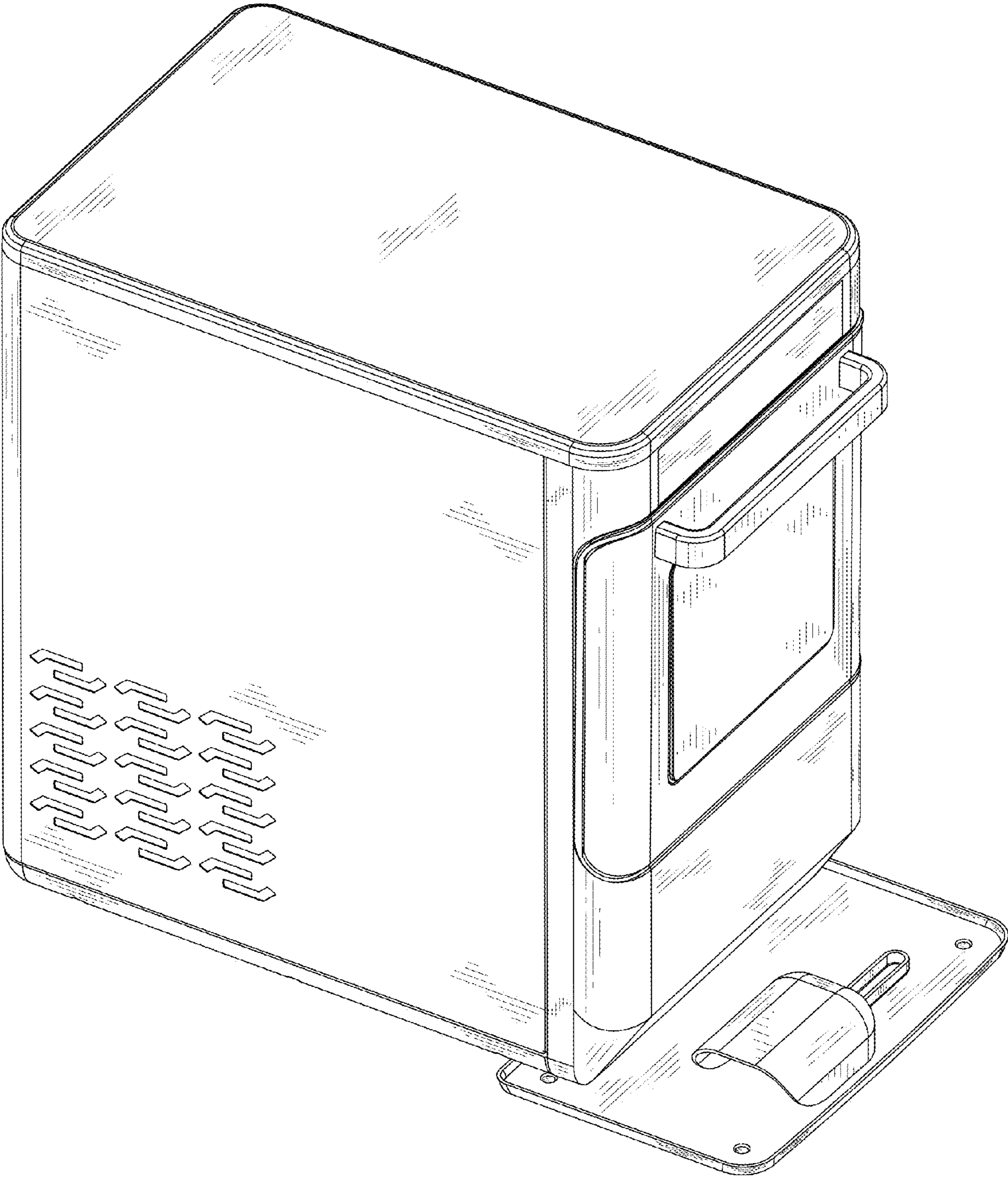


FIG.1

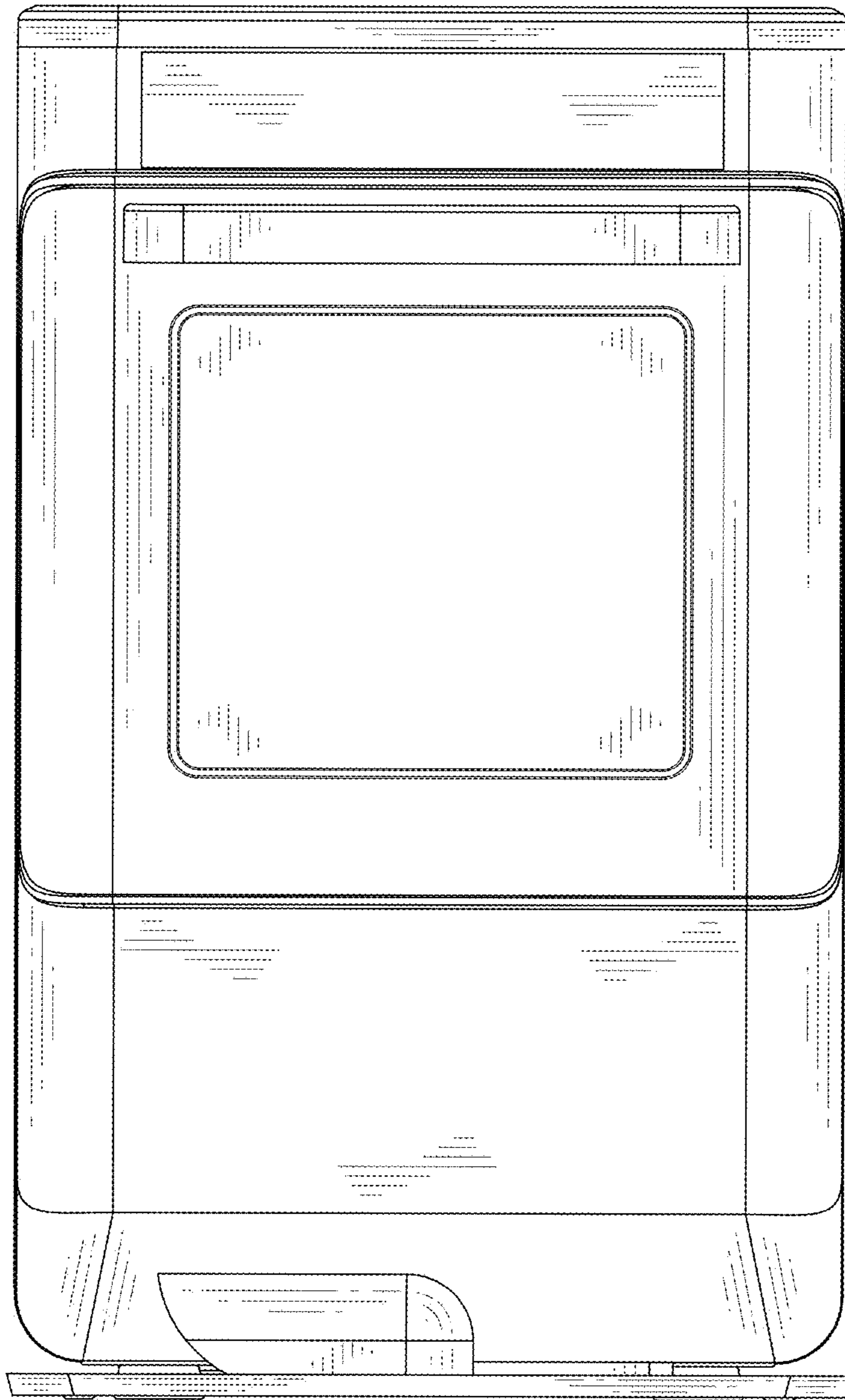


FIG.2



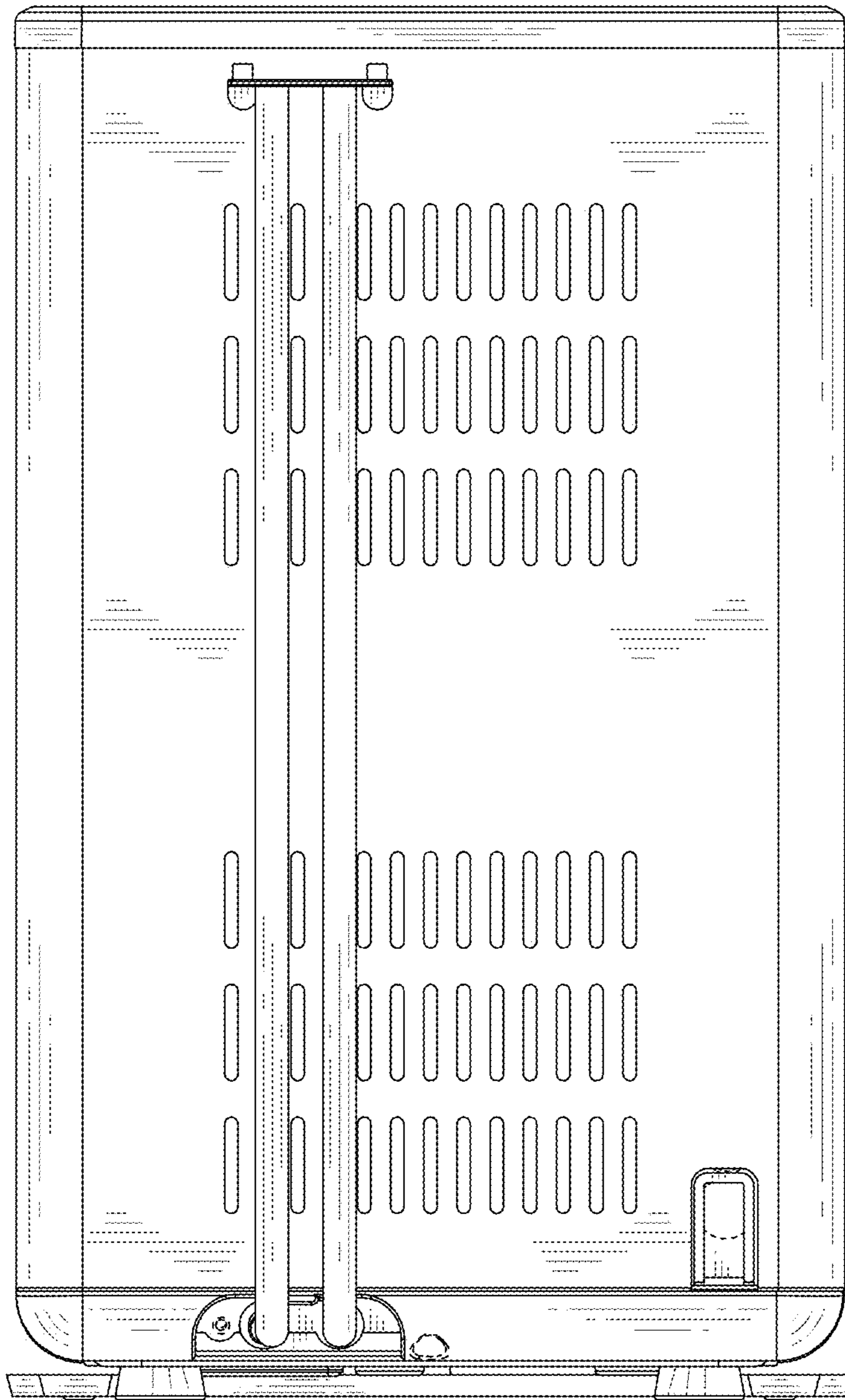


FIG.3

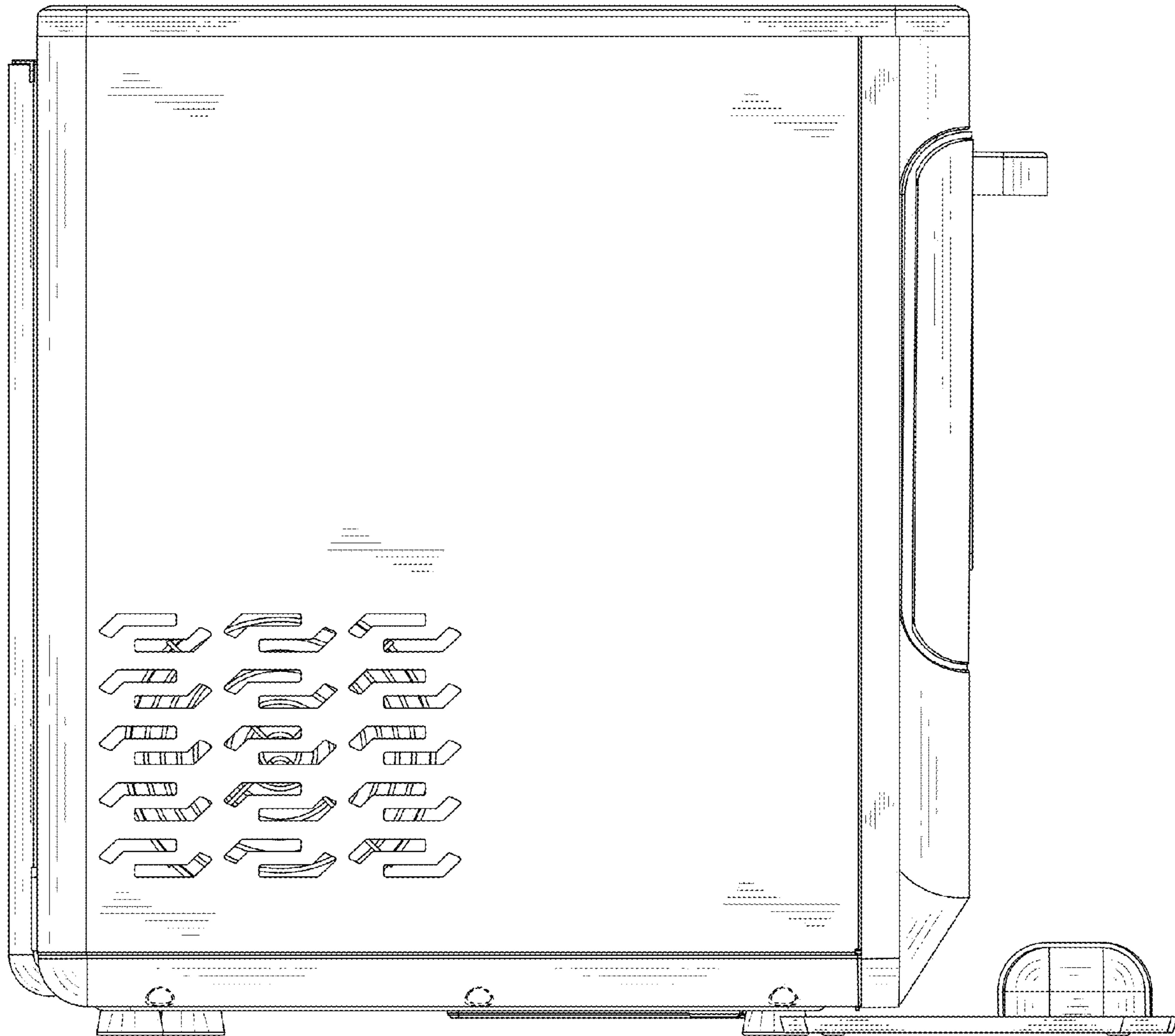


FIG.4

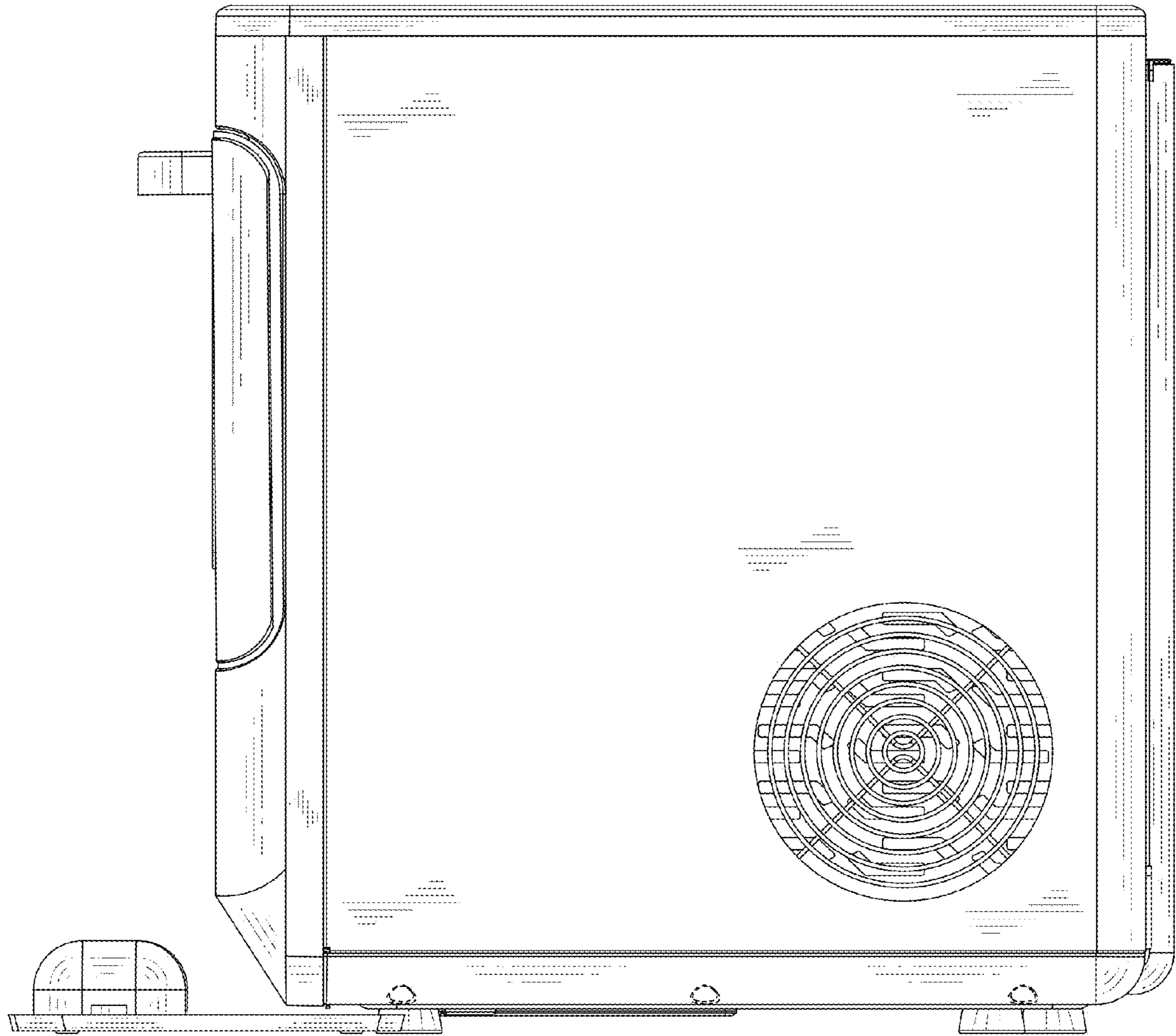


FIG.5

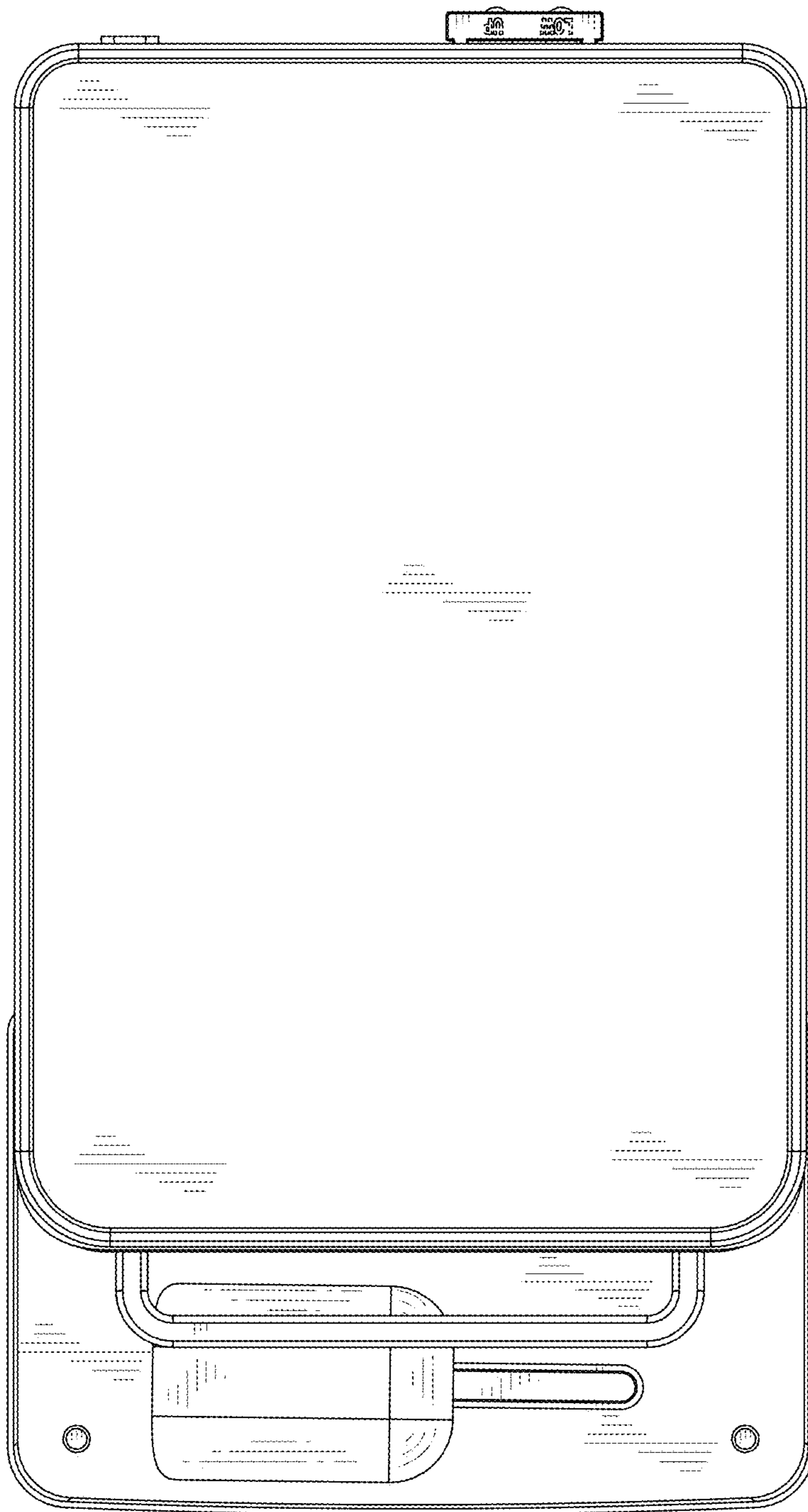


FIG.6

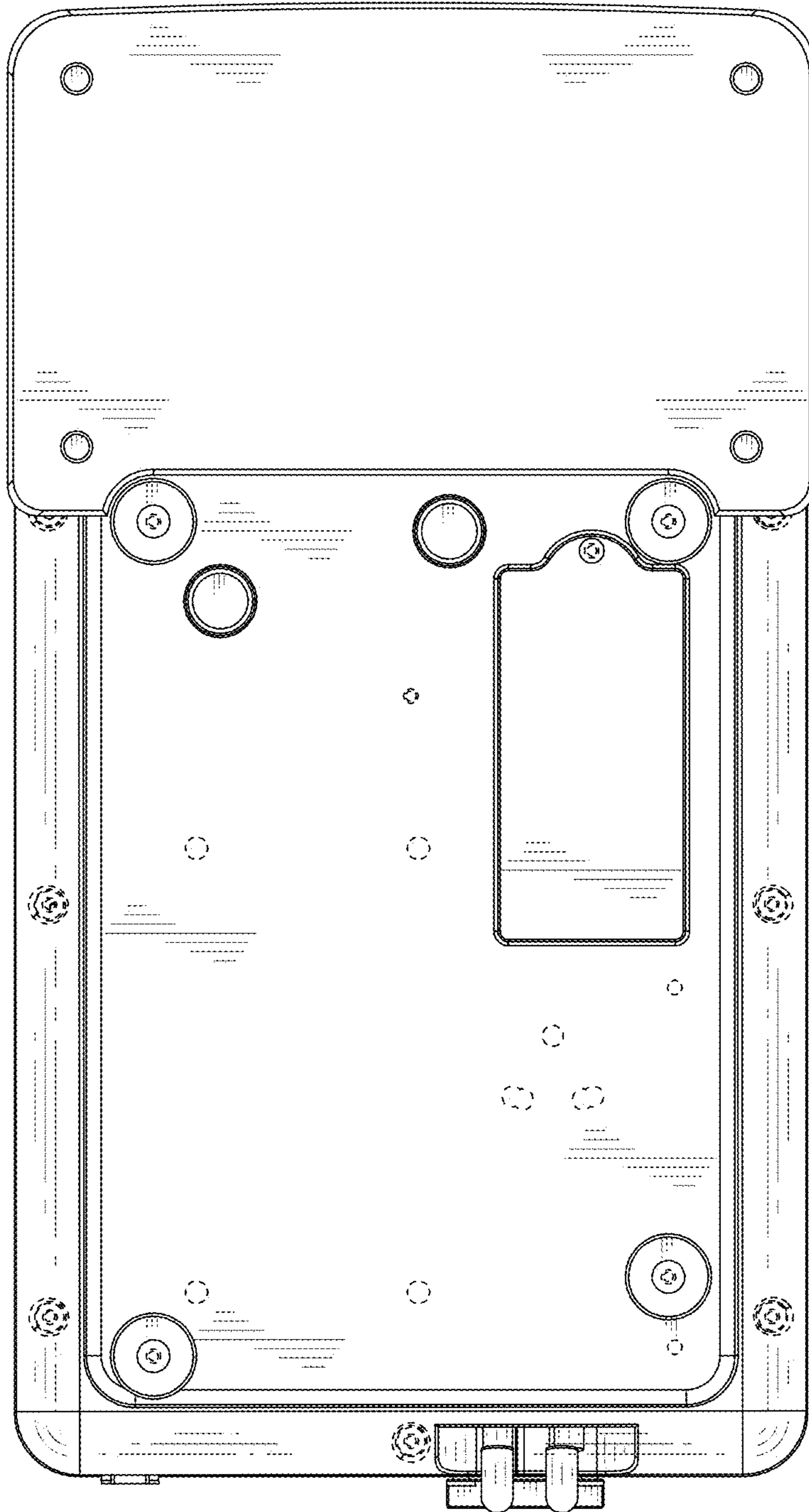


FIG.7



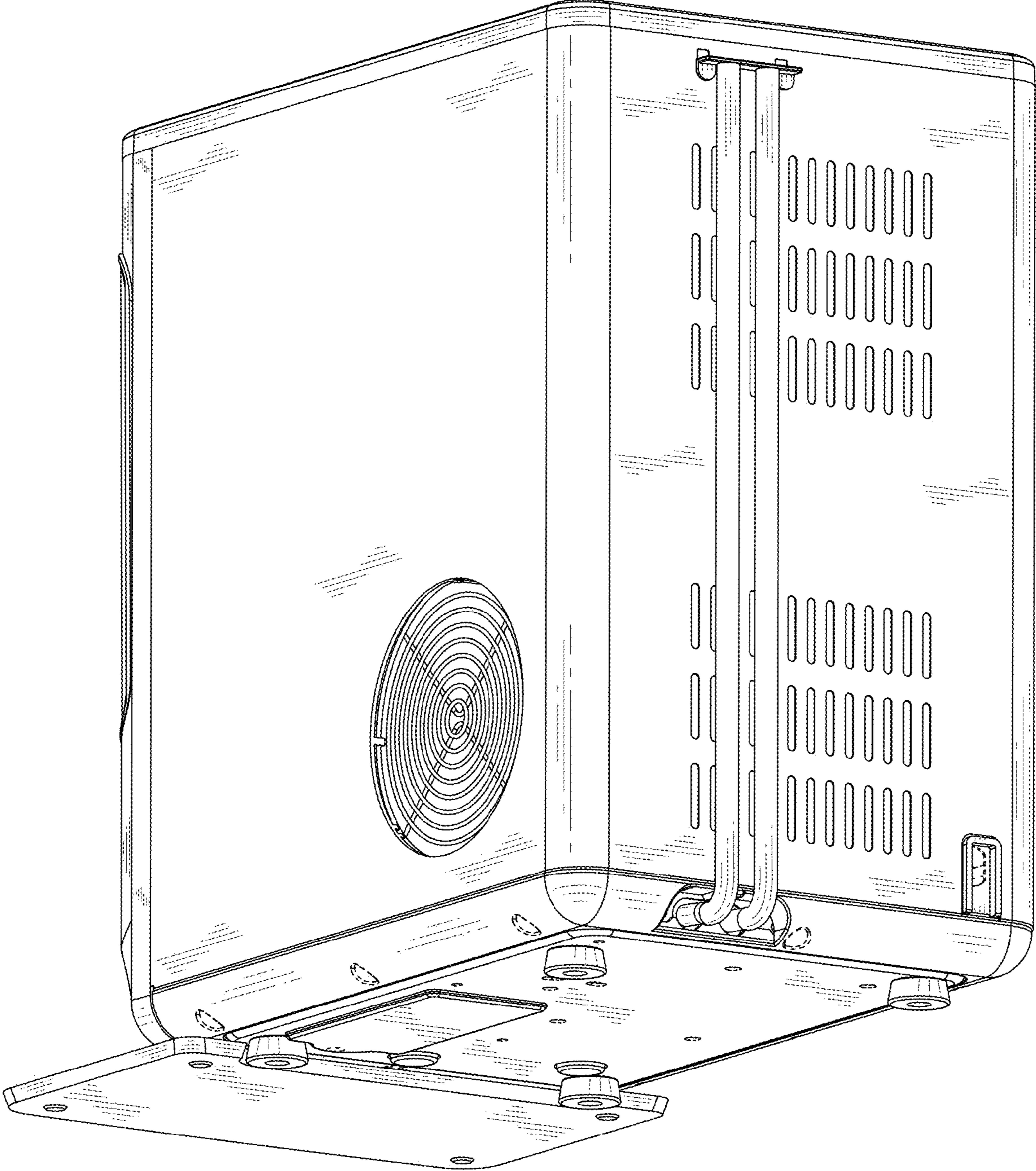


FIG.8