



US00D985024S

(12) **United States Design Patent**
Howse et al.

(10) **Patent No.:** **US D985,024 S**
(45) **Date of Patent:** **** May 2, 2023**

- (54) **SHAVE ICE MAKER**
- (71) Applicant: **WHIRLPOOL CORPORATION**,
Benton Harbor, MI (US)
- (72) Inventors: **Lynsey Alexandra Howse**, St. Joseph,
MI (US); **Tyler Douglas Mathews**,
Niles, MI (US); **Brandon Tyler Mock**,
St. Joseph, MI (US); **John Jay Myers**,
Saugatuck, MI (US); **Nicholas Hill**
Schutte, St. Joseph, MI (US); **Joseph**
Snyder, Benton Harbor, MI (US)
- (73) Assignee: **WHIRLPOOL CORPORATION**,
Benton Harbor, MI (US)

- D211,384 S * 6/1968 Lehrhaupt D7/397
- D234,319 S * 2/1975 Knight, Jr. D7/300.1
- D238,819 S * 2/1976 Arnold et al. D15/84
- D251,432 S * 3/1979 Sawada D15/82
- 4,347,713 A * 9/1982 Morrison F25D 3/08
62/529
- D271,877 S * 12/1983 Hoff D7/313
- D307,754 S * 5/1990 Osrow D7/376

(Continued)

FOREIGN PATENT DOCUMENTS

- WO 2015052521 A1 4/2015
- WO 2019073196 A1 4/2019

OTHER PUBLICATIONS

“KitchenAid Shave Ice Attachment, KSMSIA, White” [online].
KitchenAid. [First available on Mar. 28, 2022]. Retrieved from the
Internet: <<https://www.amazon.com/dp/B09WNG8RFY>>.*

(Continued)

- (**) Term: **15 Years**
- (21) Appl. No.: **29/795,751**
- (22) Filed: **Jun. 21, 2021**
- (51) **LOC (14) Cl.** **15-07**
- (52) **U.S. Cl.**
USPC **D15/80**
- (58) **Field of Classification Search**
USPC D15/79, 80, 81, 82, 83, 84, 85, 88, 89;
D7/378, 601, 602, 603, 665
CPC F25D 2323/023; F25D 23/028; F25D
23/126; F25D 11/02; F25D 2201/126;
F25C 5/187; F25C 5/08; F25C 2400/12;
F25C 2400/14; A23G 9/12; A23G 9/10;
A23G 9/106; B65D 85/78
See application file for complete search history.

Primary Examiner — Mojtaba Tehrani
(74) *Attorney, Agent, or Firm* — Price Heneveld LLP

(57) **CLAIM**

The ornamental design for a shave ice maker, as shown and
described.

DESCRIPTION

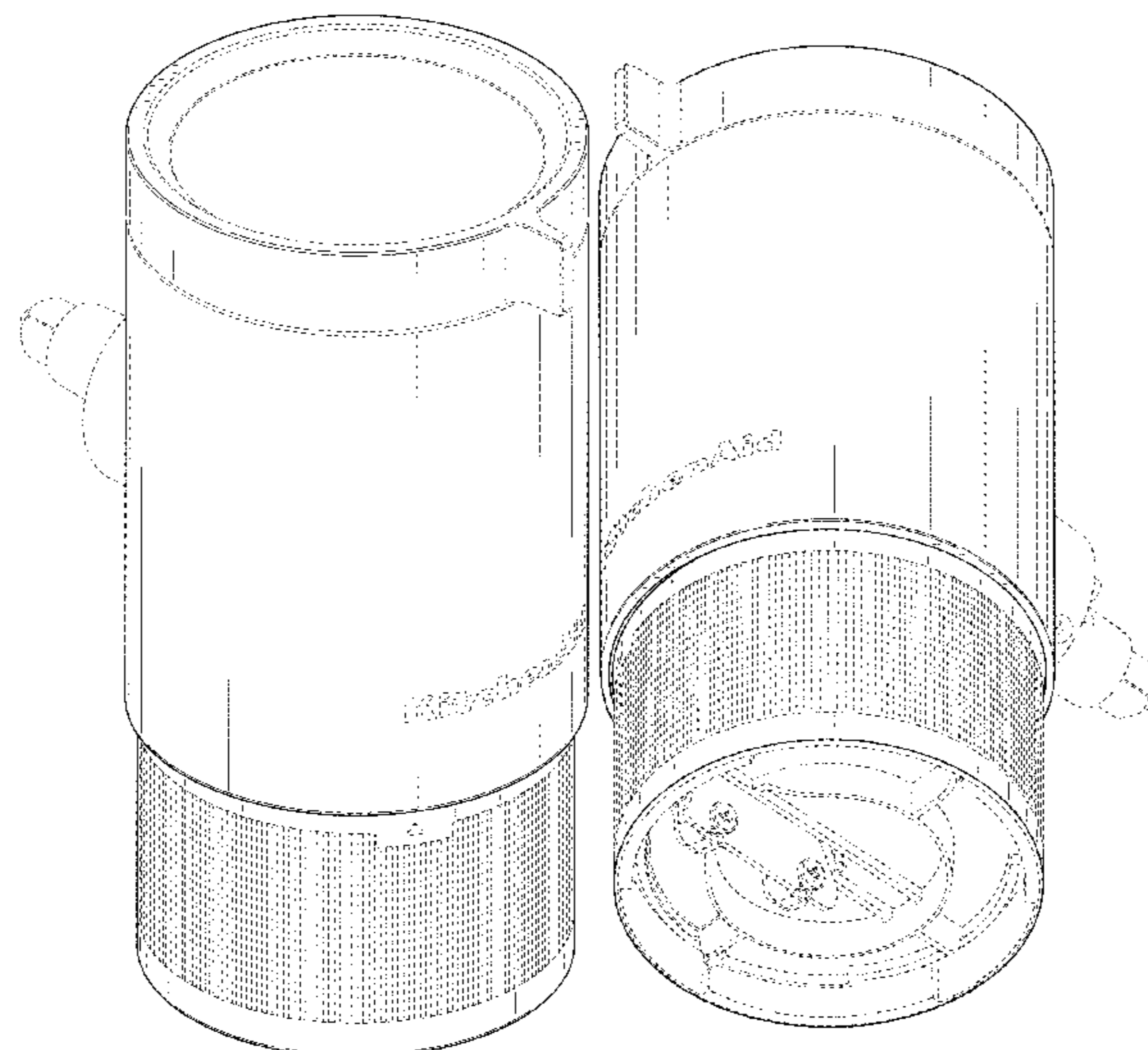
FIG. 1 is a top perspective view of a shave ice maker
according to the design;
FIG. 2 is a front elevation view thereof;
FIG. 3 is a back elevation view thereof;
FIG. 4 is a right side elevation view thereof;
FIG. 5 is a left side elevation view thereof;
FIG. 6 is a top plan view thereof;
FIG. 7 is a bottom plan view thereof; and,
FIG. 8 is a bottom perspective view thereof.
The portions of the article shown in broken line form no part
of the design.

1 Claim, 8 Drawing Sheets

(56) **References Cited**

U.S. PATENT DOCUMENTS

- 2,085,160 A * 6/1937 Kaup A23G 9/228
366/144
- D175,827 S * 10/1955 Ellins D7/311
- 2,865,571 A 12/1958 Ferdon
- 3,365,304 A * 1/1968 Guterman A23G 9/20
426/101



(56)

References Cited

U.S. PATENT DOCUMENTS

D308,685 S * 6/1990 Spirk D7/376
 D313,026 S * 12/1990 Evans D15/83
 D352,296 S * 11/1994 Westendorf D15/81
 D422,287 S * 4/2000 Gibson D34/39
 D450,068 S * 11/2001 Gadrix D15/81
 D462,369 S * 9/2002 Perrine D15/79
 D543,559 S * 5/2007 Wheeler D15/82
 D551,258 S * 9/2007 Luzaich D15/79
 D585,912 S * 2/2009 Meehan D15/81
 D594,482 S * 6/2009 Roekens D15/79
 D597,794 S * 8/2009 Tolle D15/83
 D665,222 S * 8/2012 Cerasani D7/378
 D703,700 S * 4/2014 Tussy D15/83
 D703,701 S * 4/2014 Tussy D15/83
 D704,234 S * 5/2014 Tussy D15/83
 D748,688 S * 2/2016 Sherman D15/80
 D749,651 S * 2/2016 Abastari D15/79
 D866,255 S * 11/2019 Meyers D7/378
 D867,806 S * 11/2019 Bodum D7/378
 D867,807 S * 11/2019 Bodum D7/378
 D933,722 S * 10/2021 You D15/88
 D945,501 S * 3/2022 Lee D15/79
 D945,502 S * 3/2022 Lee D15/79
 D952,702 S * 5/2022 Lu D15/89
 D957,870 S * 7/2022 Song D7/378

D957,871 S * 7/2022 Song D7/378
 D970,309 S * 11/2022 Yu D7/665
 2008/0001058 A1* 1/2008 Yoon F25D 23/028
 249/119
 2009/0288439 A1* 11/2009 Ihle F25D 23/126
 62/317
 2010/0119677 A1* 5/2010 Chay A23G 9/22
 426/515
 2015/0290567 A1* 10/2015 Chernov F25D 23/00
 210/85
 2016/0016700 A1* 1/2016 Stevens B65D 51/20
 220/276
 2016/0242600 A1 8/2016 Vacher
 2017/0297805 A1* 10/2017 Yaguchi A47J 39/00
 2018/0214804 A1* 8/2018 Dishman F25D 23/126

OTHER PUBLICATIONS

“Hawaiian Shaved Ice S777 HomePro Shave Ice and Snow Cone Machine, Featuring Adjustable Blade for Fluffy Ice with 5 Round Block Ice Pucks, Make Kakigori, Bingsu, Margaritas, Create Snow Cones and Shave Ice from Home” [online], Hawaiian Shaved Ice. [First available on Nov. 15, 2021]. Retrieved from the Internet: <<https://www.amazon.com/dp/B09LVTP8KZ>>.*

* cited by examiner

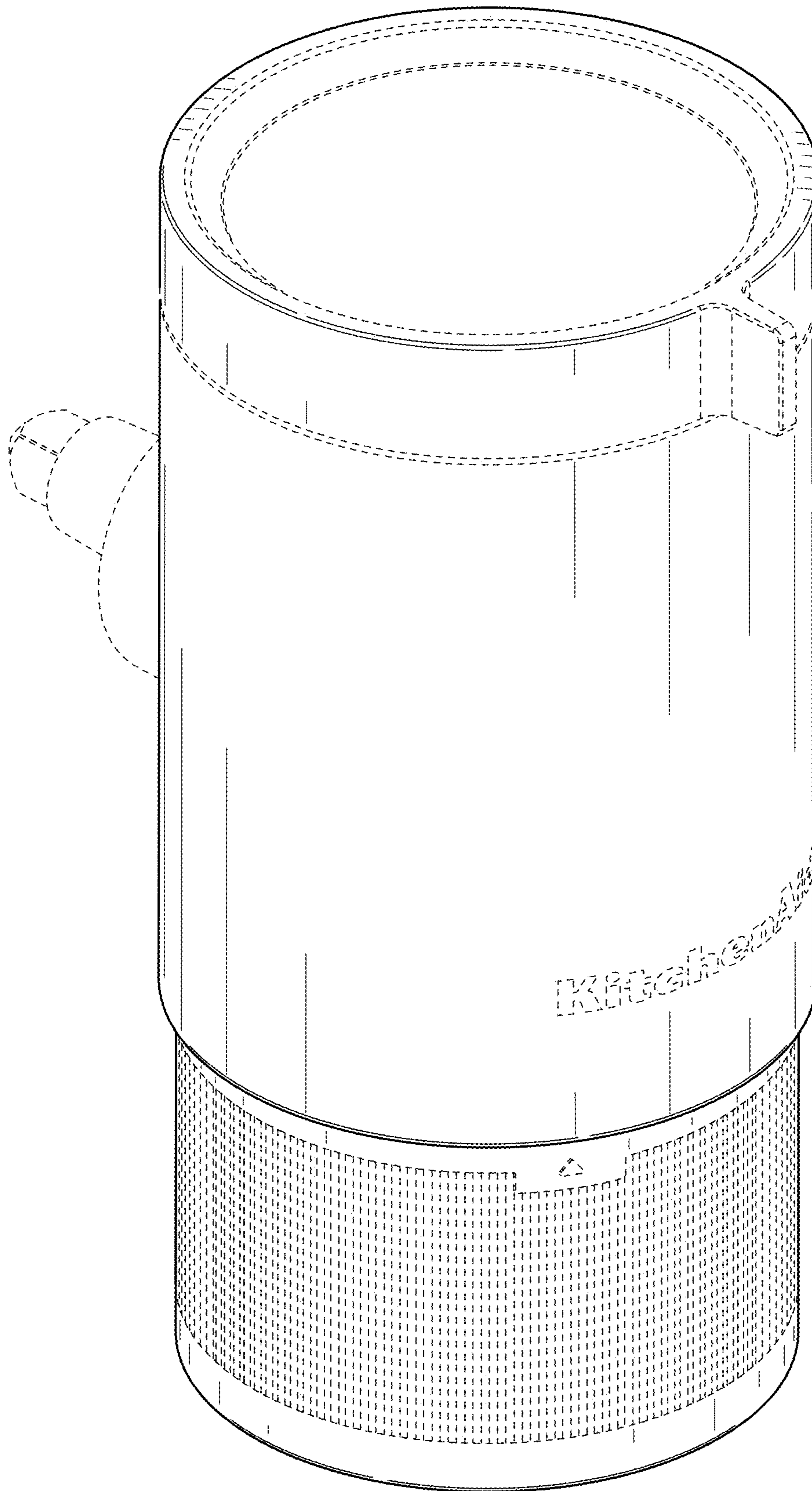


FIG. 1

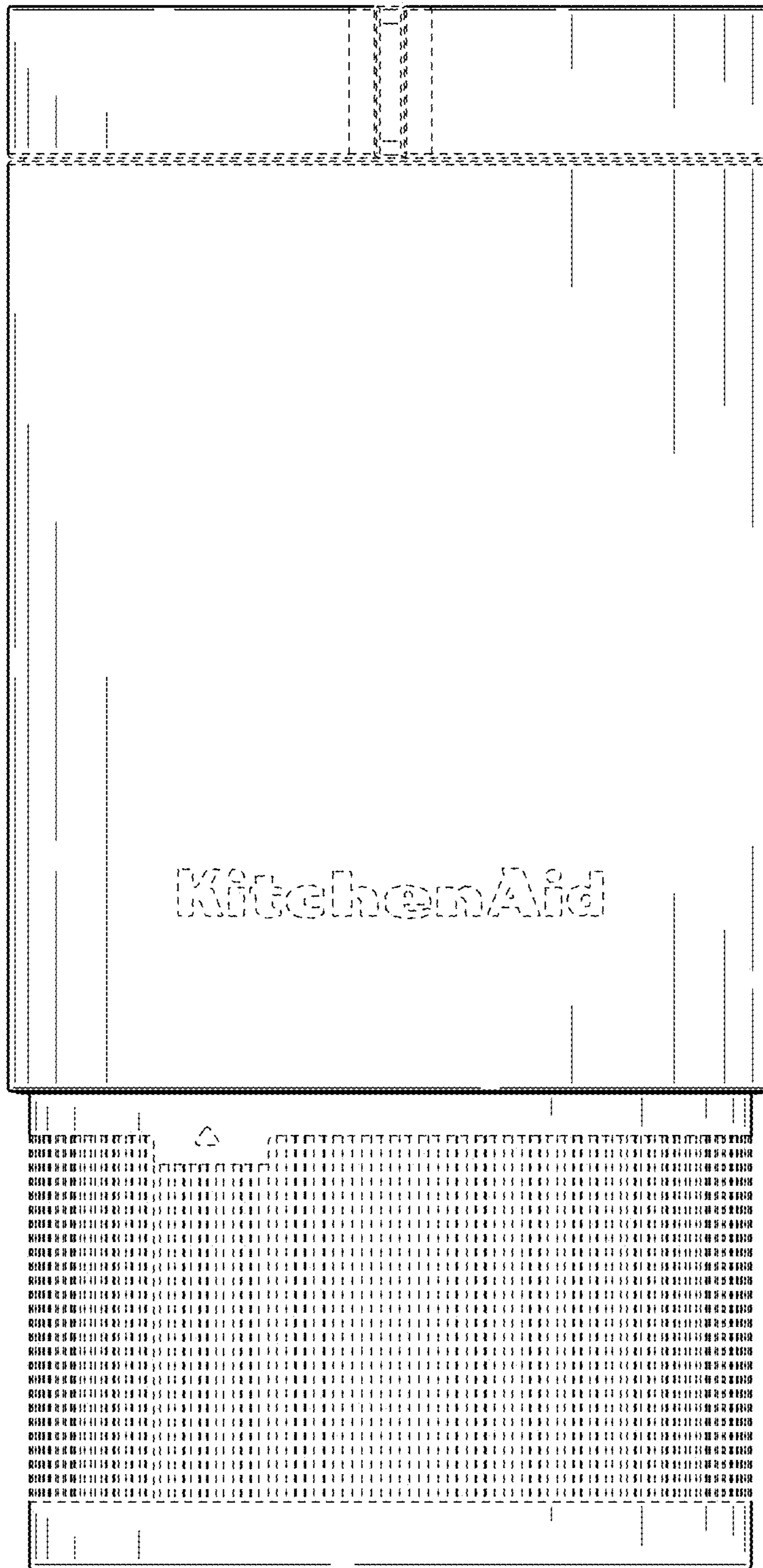


FIG. 2

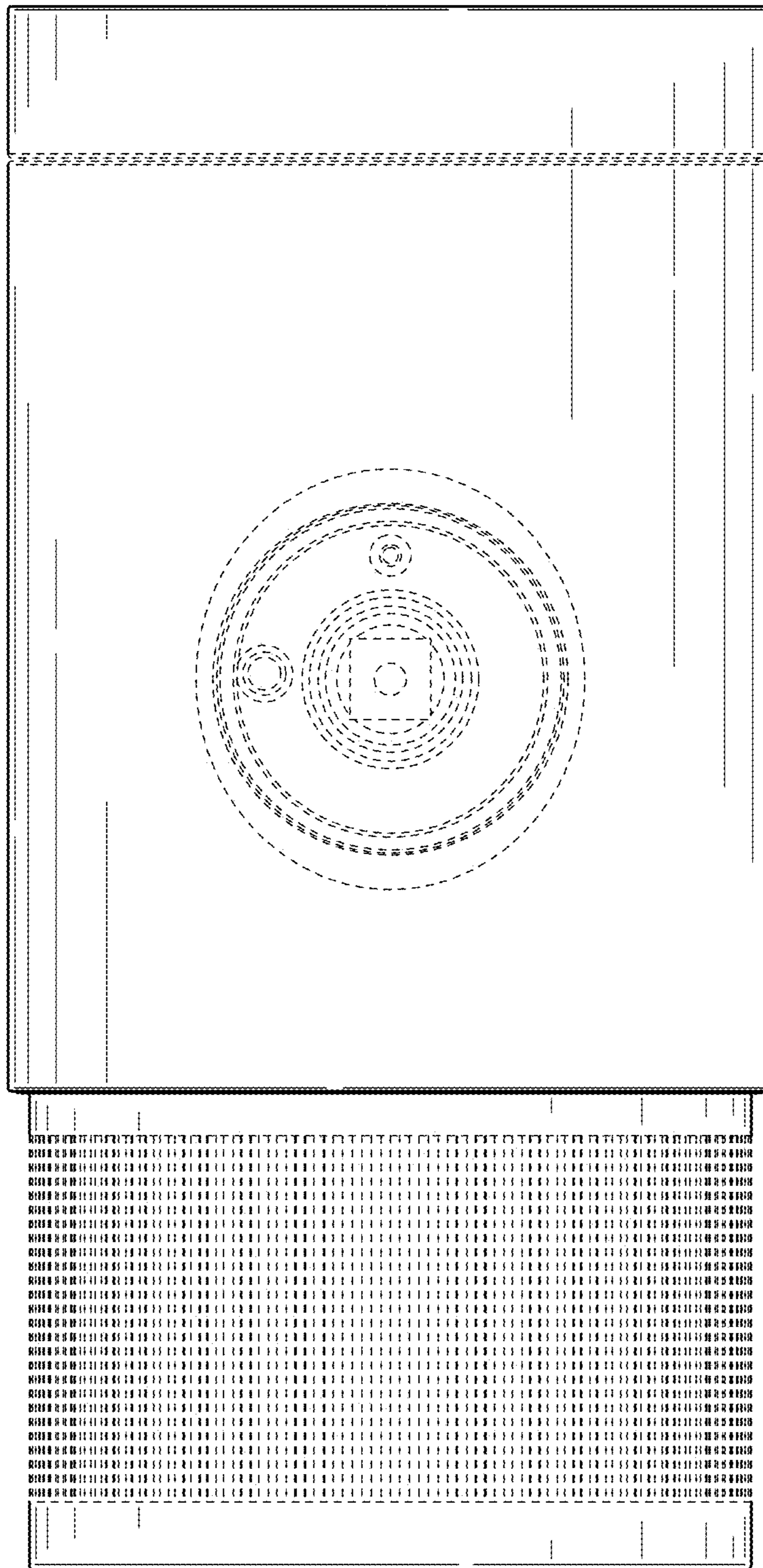


FIG. 3

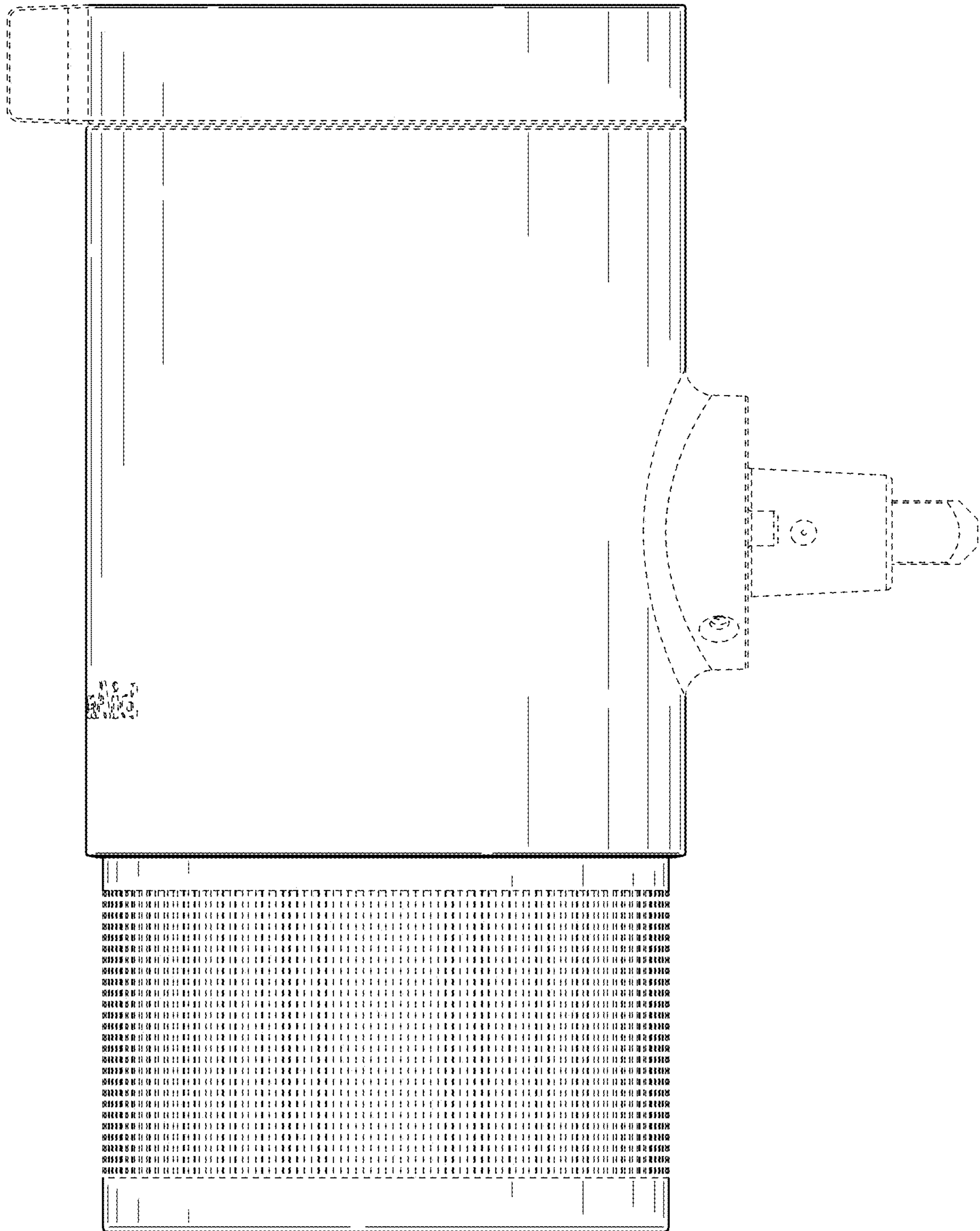


FIG. 4

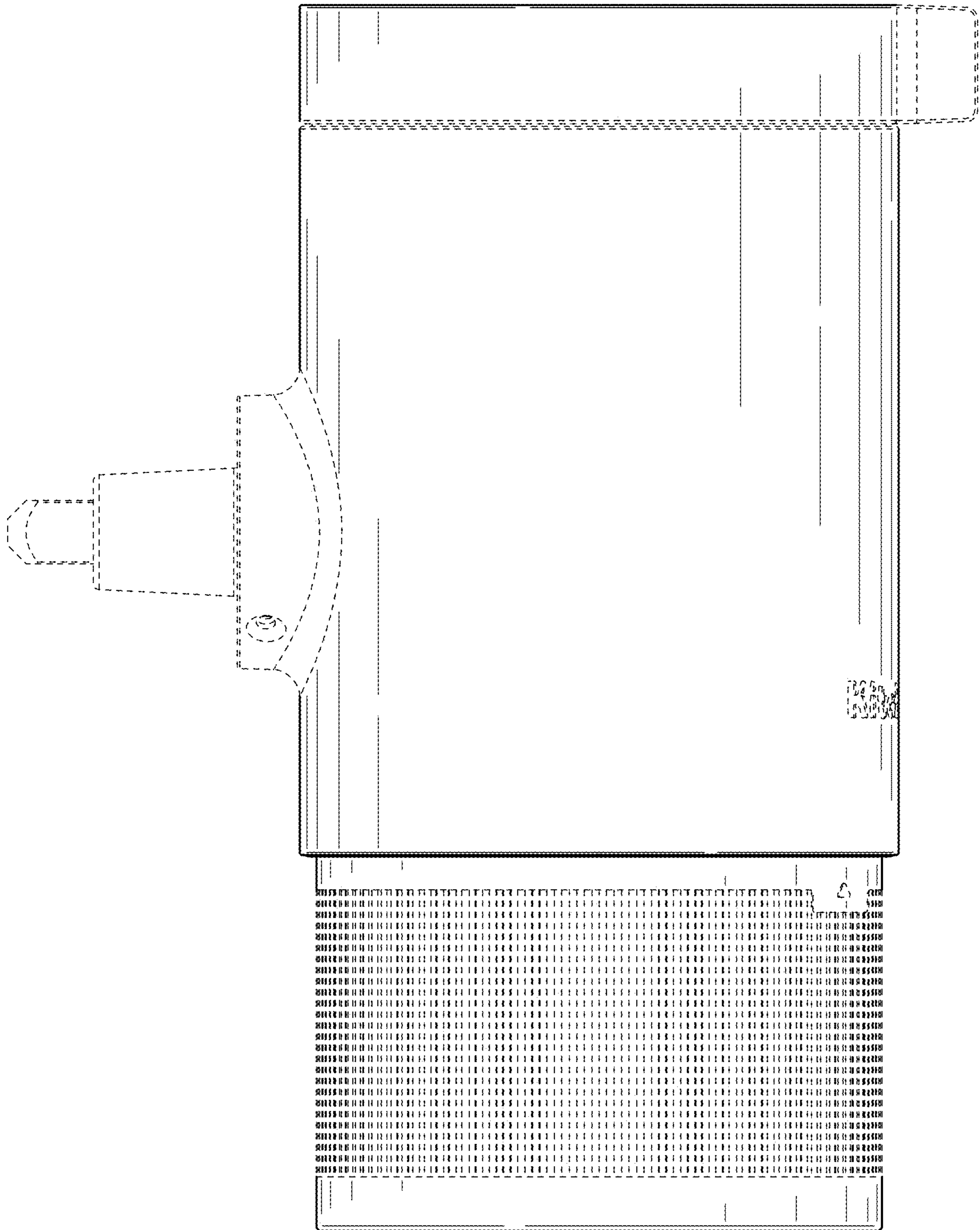


FIG. 5

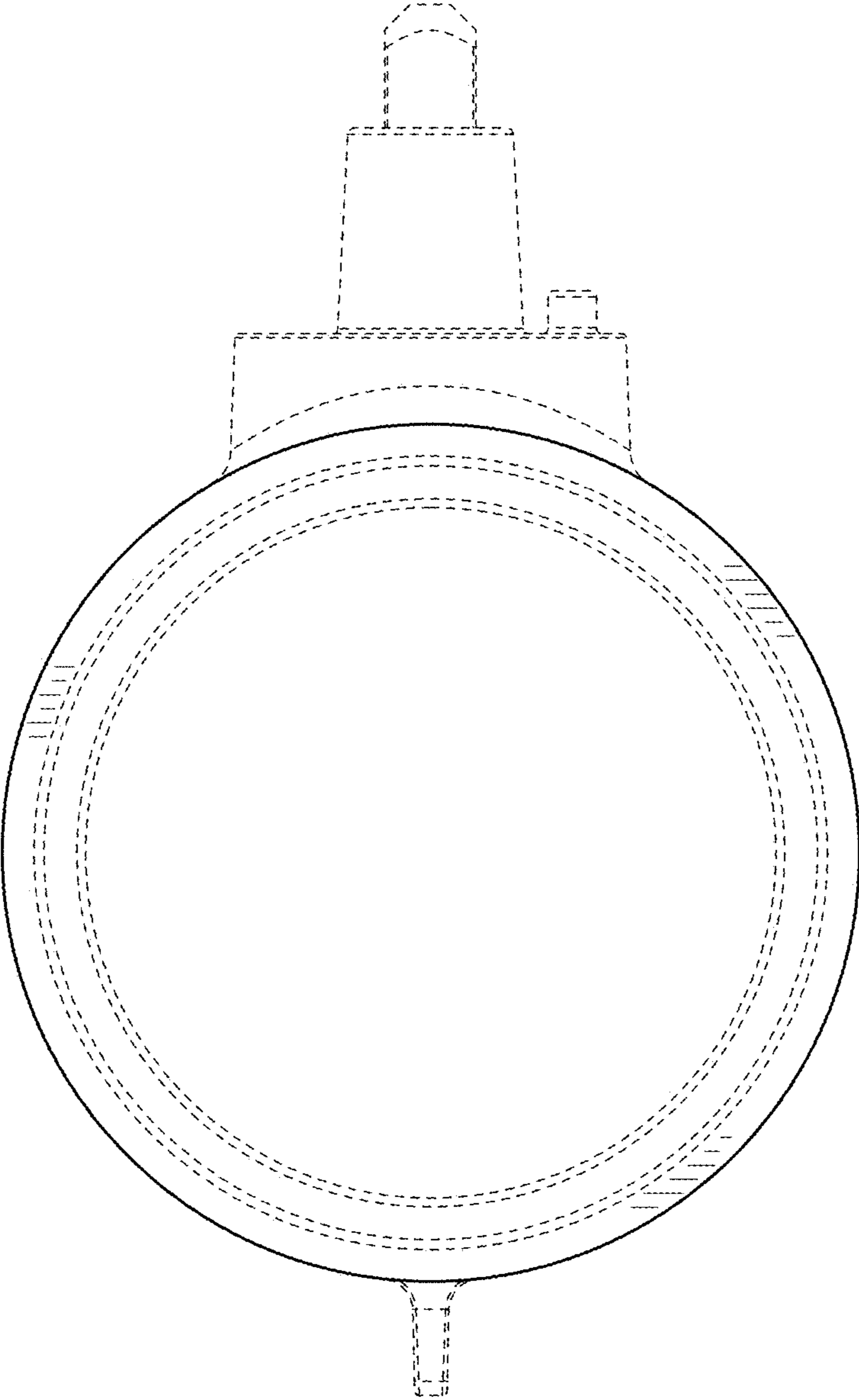


FIG. 6

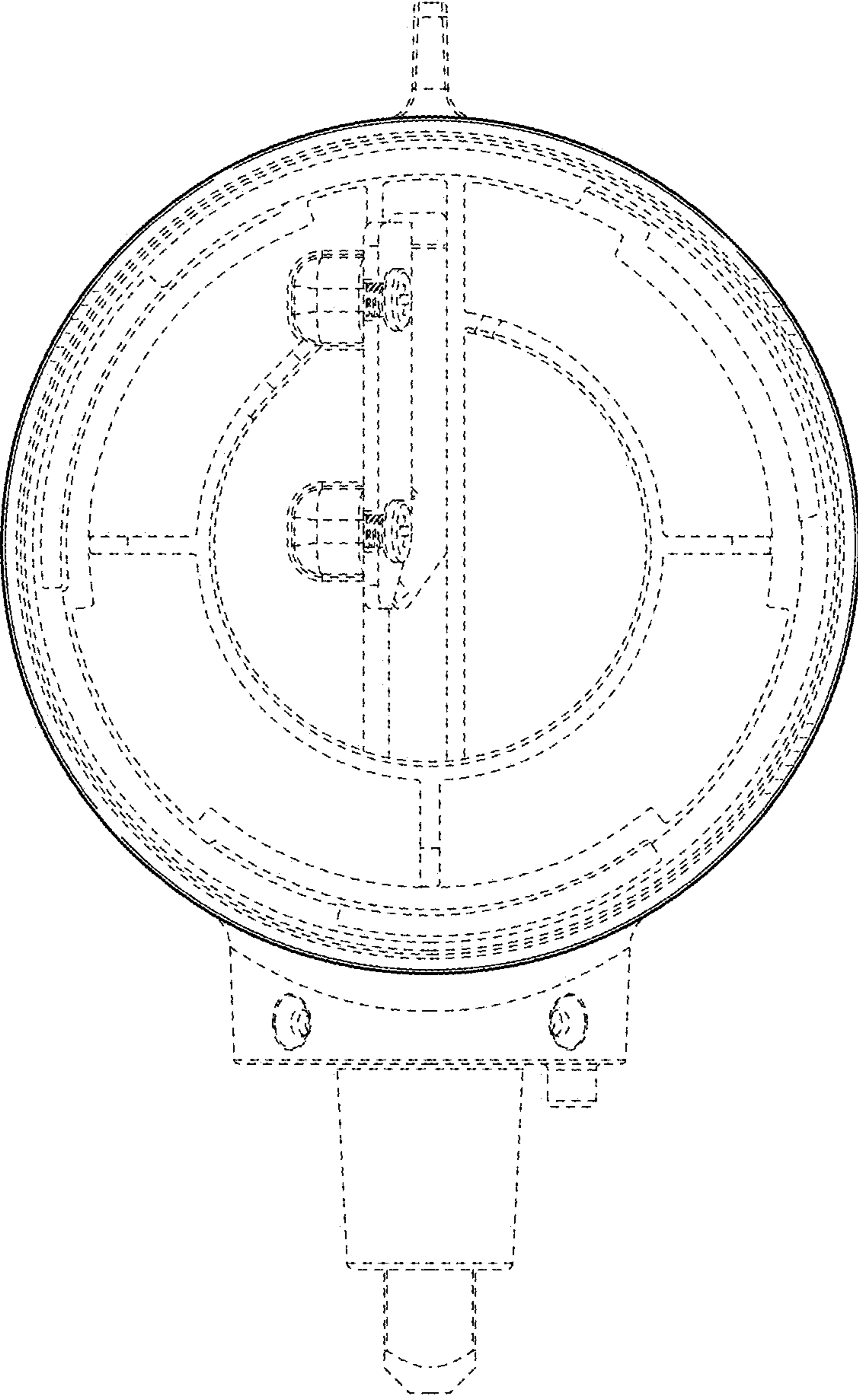


FIG. 7

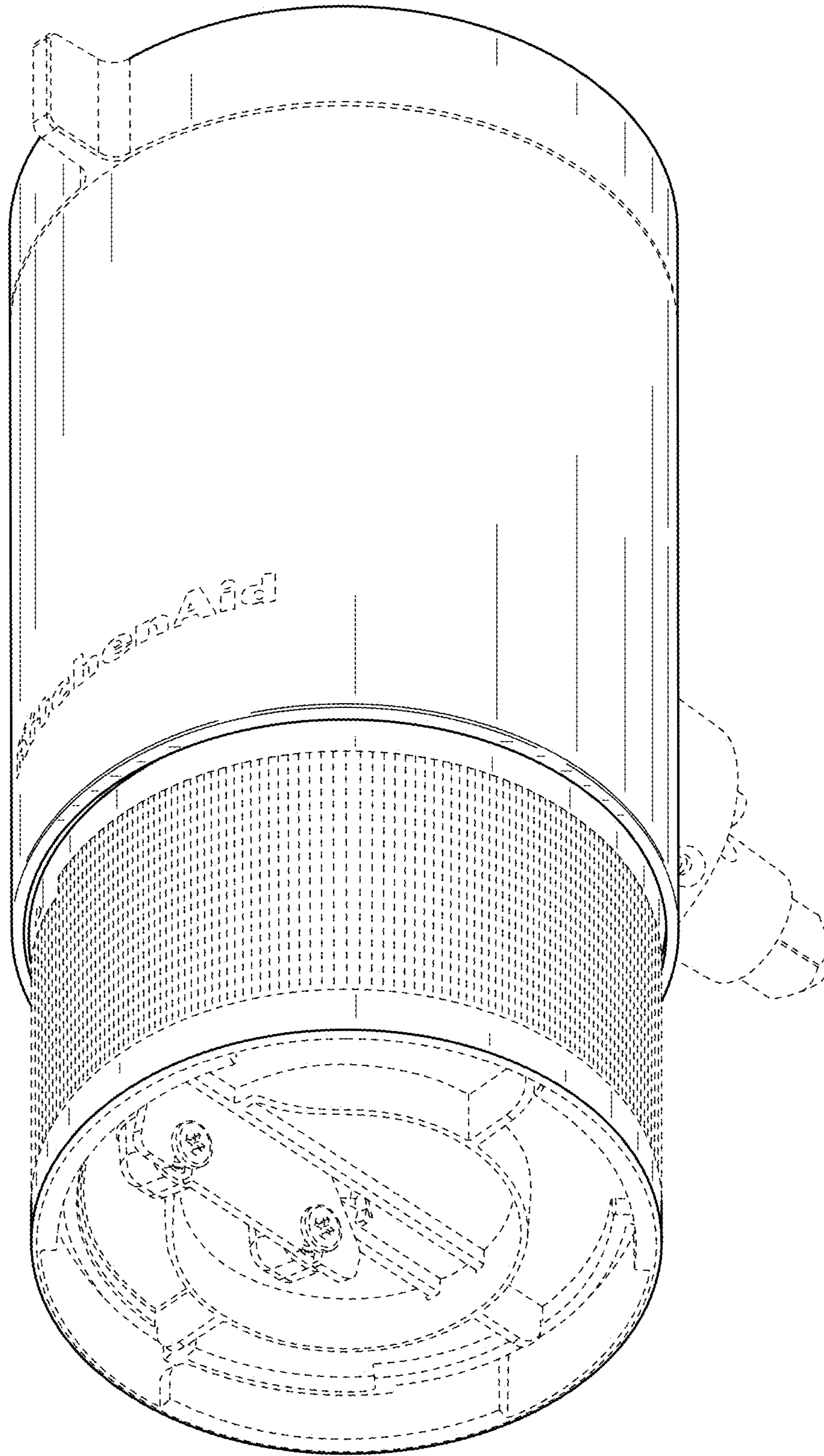


FIG. 8