



US00D985023S

(12) **United States Design Patent** (10) **Patent No.:** **US D985,023 S**  
**Prusa et al.** (45) **Date of Patent:** **\*\* May 2, 2023**

(54) **HOPPER LID** 5,458,256 A \* 10/1995 Opheim ..... B65D 43/12  
220/345.3  
(71) Applicant: **Turfware Equipment Company**, Stow, OH (US) 5,988,534 A \* 11/1999 Kost ..... E01C 19/203  
239/650  
(72) Inventors: **John C. Prusa**, Stow, OH (US); 6,092,476 A \* 7/2000 Wilson ..... A01C 15/006  
**Sylvester G. Smith**, Ravenna, OH (US) 220/812  
(73) Assignee: **Turfware Equipment Company**, Stow, OH (US) 6,240,862 B1 6/2001 Dunham  
6,637,678 B2 10/2003 Wyne  
6,978,952 B2 12/2005 Kost  
D693,856 S \* 11/2013 Thompson ..... D15/28  
D724,105 S \* 3/2015 Kendall ..... D15/28  
D768,729 S \* 10/2016 Long ..... D15/27  
D824,428 S \* 7/2018 Stewart ..... D15/28  
(\*\*) Term: **15 Years** 10,682,006 B2 6/2020 Hundley  
11,434,071 B1 \* 9/2022 Prusa ..... B65D 90/54  
(21) Appl. No.: **29/833,540** 2008/0110892 A1 5/2008 House  
2008/0179432 A1 7/2008 Hodge  
(22) Filed: **Apr. 5, 2022**

**Related U.S. Application Data**

(63) Continuation-in-part of application No. 17/494,324, filed on Oct. 5, 2021, now Pat. No. 11,434,071.  
(51) **LOC (14) Cl.** ..... **15-03**  
(52) **U.S. Cl.**  
USPC ..... **D15/28**  
(58) **Field of Classification Search**  
USPC ..... D15/10-33  
CPC ..... A01C 15/006; A01C 17/001; A01C 7/20;  
B65D 43/12; B65D 43/20; B65D 90/54;  
B65D 2583/0454; E01C 2019/2055  
See application file for complete search history.

**References Cited**

**U.S. PATENT DOCUMENTS**

(56) 2,064,241 A \* 12/1936 Batdorf ..... B65D 83/0481  
220/351  
D191,755 S \* 11/1961 Christensen ..... D15/28  
3,782,584 A 1/1974 Swenson  
4,502,610 A 3/1985 Todd  
5,072,676 A 12/1991 Pingry  
D335,293 S \* 5/1993 Pingry ..... D15/28  
5,390,865 A \* 2/1995 Vandermolen ..... B02C 18/143  
241/101.76

\* cited by examiner

*Primary Examiner* — Mark A Goodwin

(74) *Attorney, Agent, or Firm* — Renner, Otto, Boisselle & Sklar, LLP

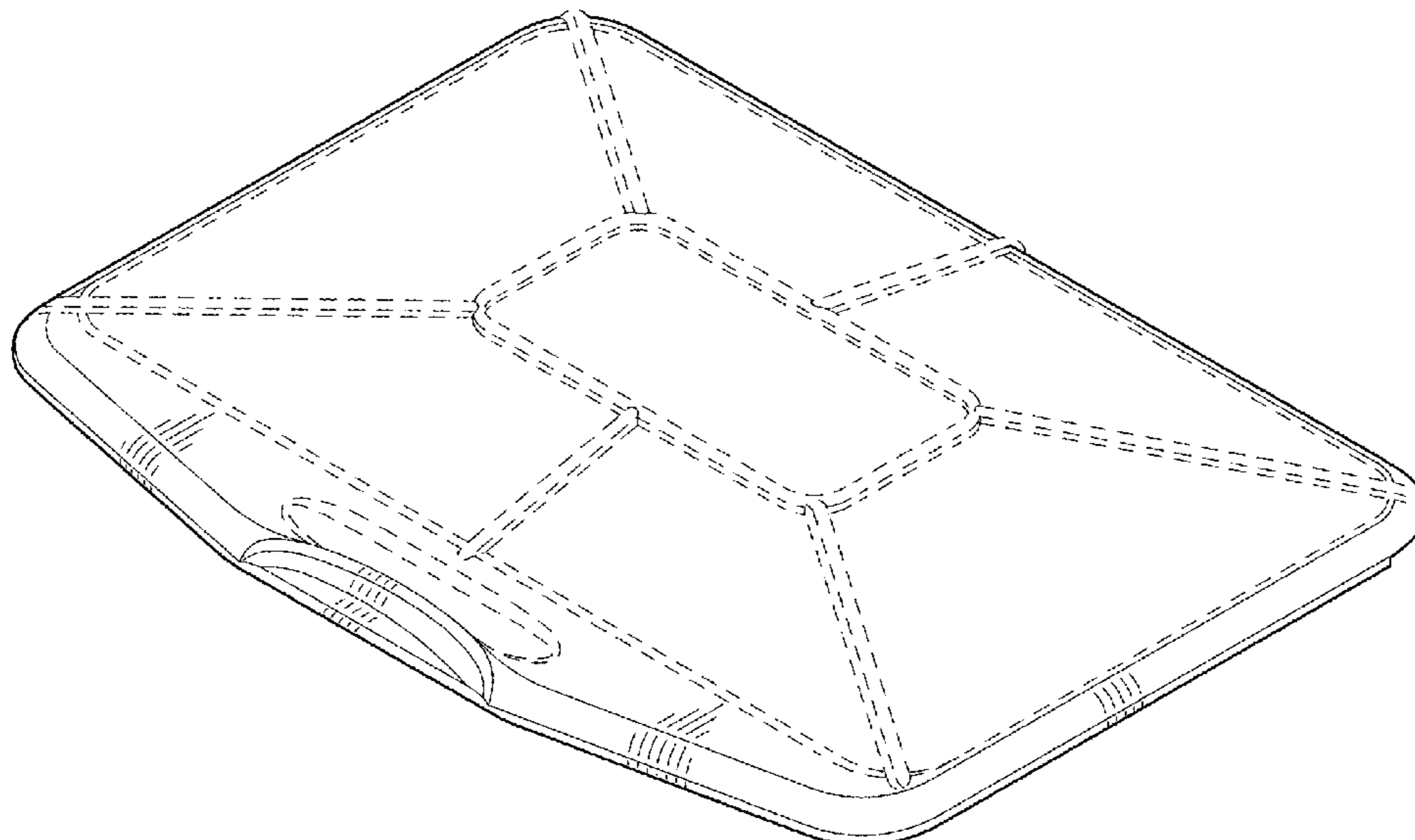
(57) **CLAIM**

The ornamental design for a hopper lid, as shown and described.

**DESCRIPTION**

FIG. 1 is a top, front, right perspective view of a hopper lid showing our new design;  
FIG. 2 is a front elevational view thereof;  
FIG. 3 is a left side elevational view thereof,  
FIG. 4 is a right side elevational view thereof,  
FIG. 5 is a rear elevational view thereof;  
FIG. 6 is a top plan view thereof; and,  
FIG. 7 is a bottom plan view thereof.  
The broken line showing in FIGS. 1-7 is for the purpose of illustrating portions of the hopper lid and forms no part of the claimed design.

**1 Claim, 3 Drawing Sheets**



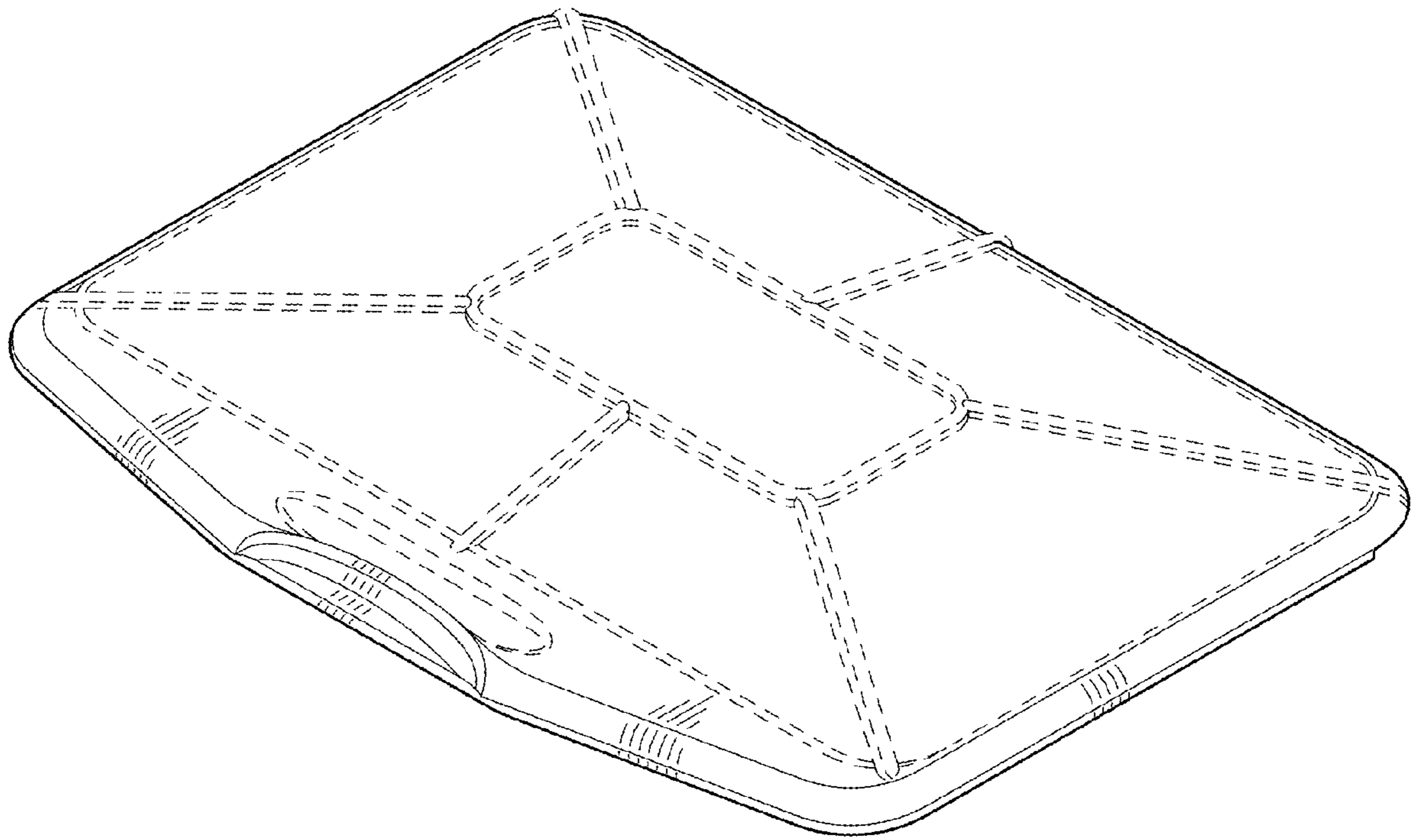


FIG. 1

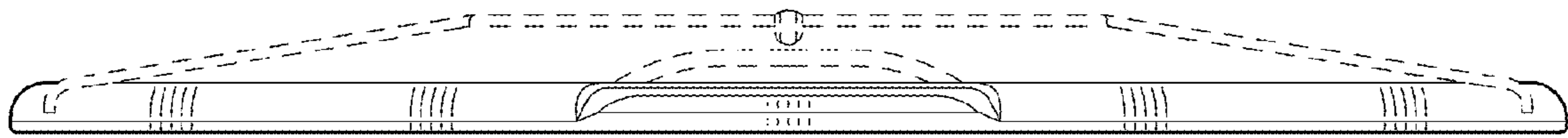


FIG. 2

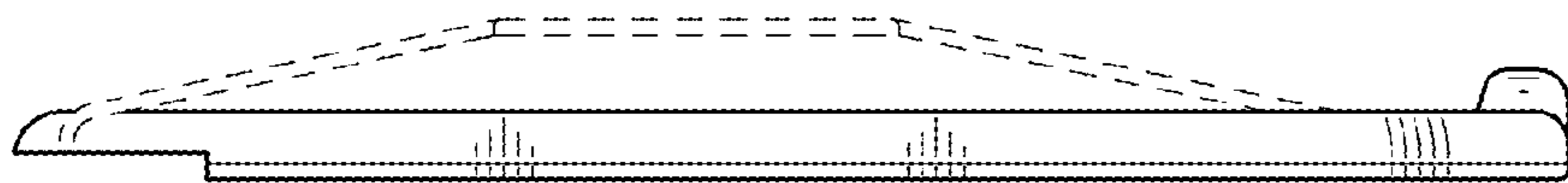


FIG. 3

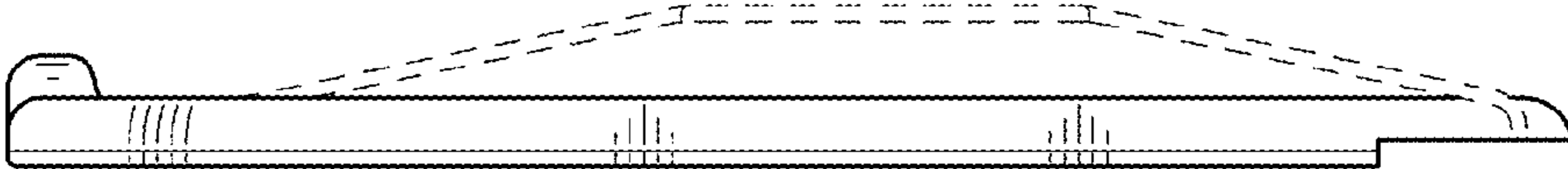


FIG. 4

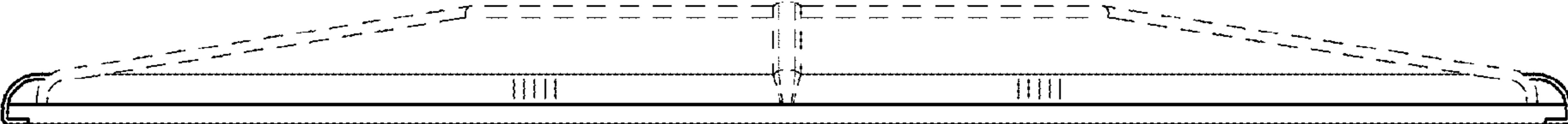


FIG. 5

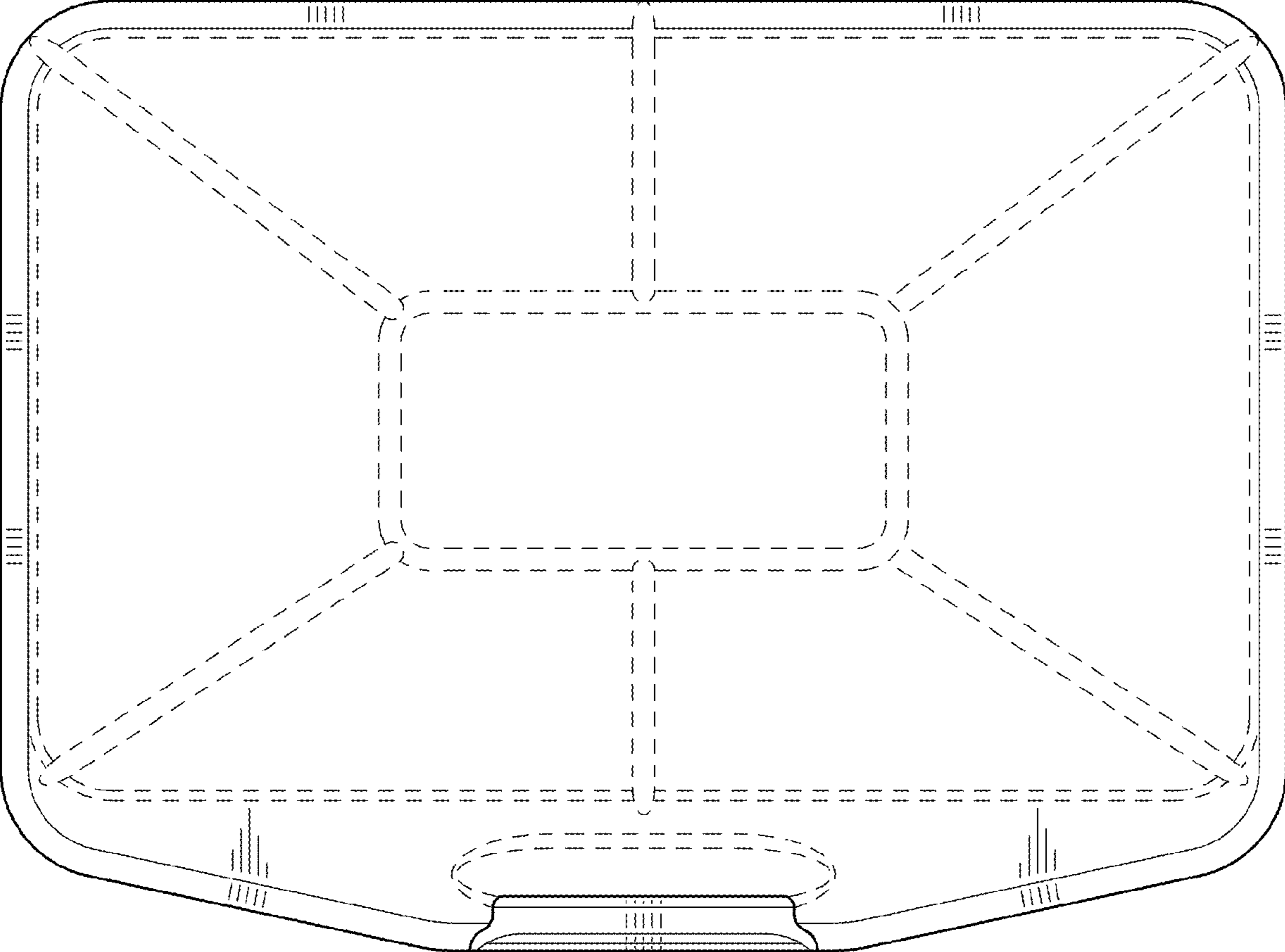


FIG. 6

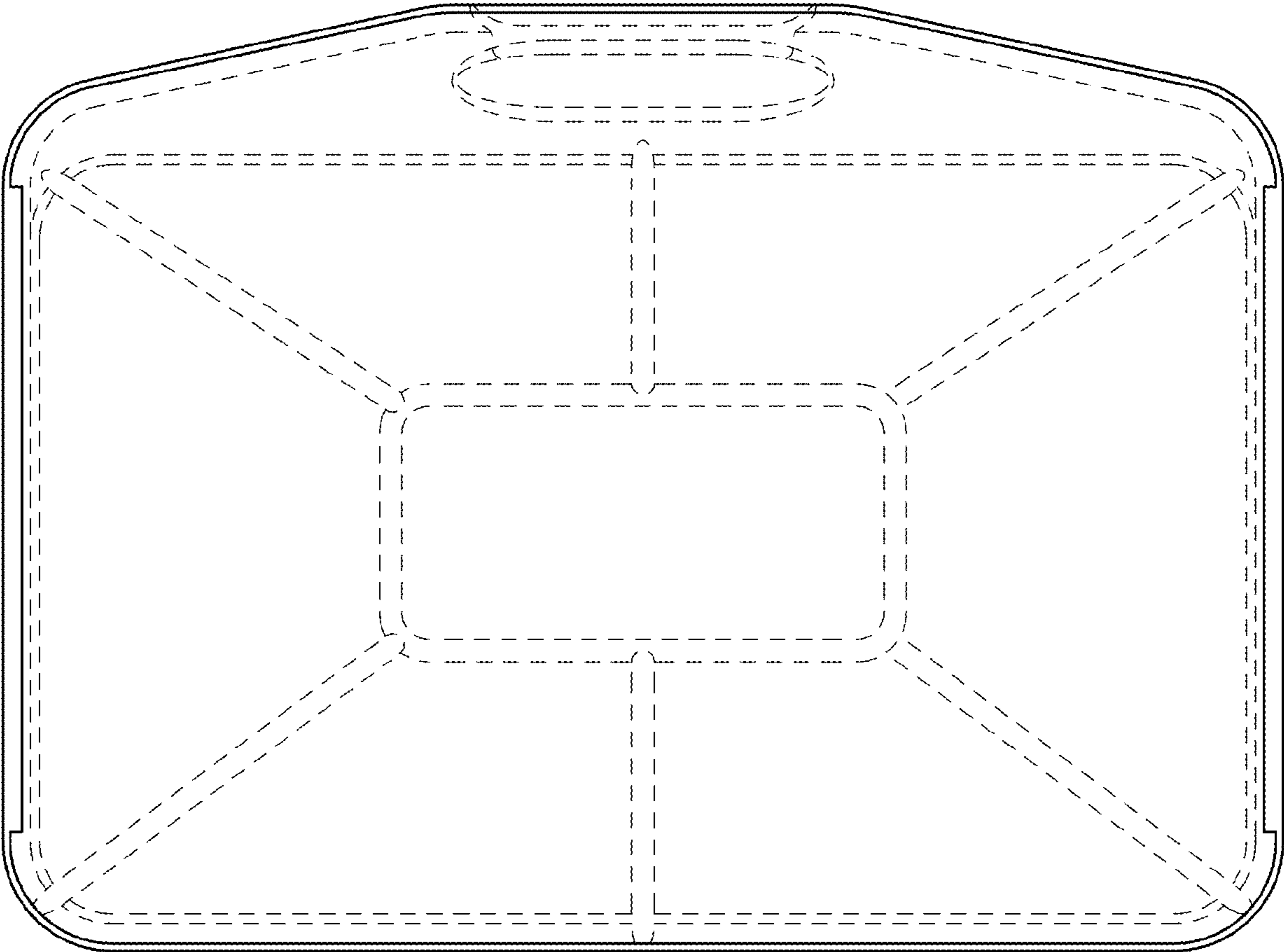


FIG. 7