



US00D985022S

(12) **United States Design Patent**
Zou

(10) **Patent No.:** **US D985,022 S**

(45) **Date of Patent:** **** May 2, 2023**

(54) **AIR COMPRESSOR**

(71) Applicant: **DONGGUAN XIANMA ELECTROMECHANICAL CO., LTD.**, Dongguan (CN)

(72) Inventor: **Menglin Zou**, Nanning (CN)

(73) Assignee: **DONGGUAN XIANMA ELECTROMECHANICAL CO., LTD.**, Dongguan (CN)

(**) Term: **15 Years**

(21) Appl. No.: **29/816,987**

(22) Filed: **Nov. 26, 2021**

(30) **Foreign Application Priority Data**

Nov. 15, 2021 (CN) 202130747446.1

(51) **LOC (14) Cl.** **15-02**

(52) **U.S. Cl.**
USPC **D15/7**

(58) **Field of Classification Search**
USPC D15/7, 9, 8; D23/225, 231, 232
CPC F04D 29/16; F04D 29/669; F04D 29/086;
F04D 29/448; F04D 29/428; F04D
29/708

See application file for complete search history.

(56) **References Cited**

U.S. PATENT DOCUMENTS

| | | | | |
|--------------|---------|-----------|-------|---------|
| D273,958 S * | 5/1984 | Mariol | | D15/9 |
| D280,993 S * | 10/1985 | Mariol | | D15/9 |
| D281,609 S * | 12/1985 | Herbst | | D15/9 |
| D301,247 S * | 5/1989 | Prevosto | | D15/9 |
| D307,017 S * | 4/1990 | Polk | | D15/7 |
| D340,458 S * | 10/1993 | Wang | | D15/7 |
| D340,726 S * | 10/1993 | Wang | | D15/7 |
| D351,894 S * | 10/1994 | Reverberi | | D23/213 |
| D352,295 S * | 11/1994 | Morgan | | D15/9 |

| | | | | |
|-----------------|---------|-----------|-------|------------------------|
| D365,107 S * | 12/1995 | Ward | | D15/7 |
| D372,719 S * | 8/1996 | Jensen | | D15/7 |
| D498,481 S * | 11/2004 | Wang | | D15/8 |
| D558,230 S * | 12/2007 | Vivar | | D15/7 |
| D576,642 S * | 9/2008 | Steinfels | | D15/9 |
| D585,460 S * | 1/2009 | Plunk | | D15/9 |
| D609,634 S * | 2/2010 | Daniels | | D13/110 |
| D609,635 S * | 2/2010 | Daniels | | F04D 29/026 D13/107 |
| D620,881 S * | 8/2010 | Daniels | | F04D 29/086 D13/107 |
| D624,877 S * | 10/2010 | Daniels | | D13/110 |
| D935,487 S * | 11/2021 | Chen | | D15/7 |
| 11,193,504 B1 * | 12/2021 | Mjelde | | F04D 29/086 |
| D946,629 S * | 3/2022 | Mjelde | | D15/7 |
| D962,293 S * | 8/2022 | Hu | | D15/7 |
| D966,342 S * | 10/2022 | Pedrollo | | F04D 29/026 D15/7 |

(Continued)

Primary Examiner — Calvin E Vansant

Assistant Examiner — Eidiol Ghigliotty Torre

(74) *Attorney, Agent, or Firm* — Chun-Ming Shih;
Lanway IPR Services

(57) **CLAIM**

The ornamental design for a air compressor, as shown and described.

DESCRIPTION

FIG. 1 is a perspective view of an air compressor showing the new design;

FIG. 2 is another perspective view thereof;

FIG. 3 is a front view thereof;

FIG. 4 is a rear view thereof;

FIG. 5 is a left side view thereof;

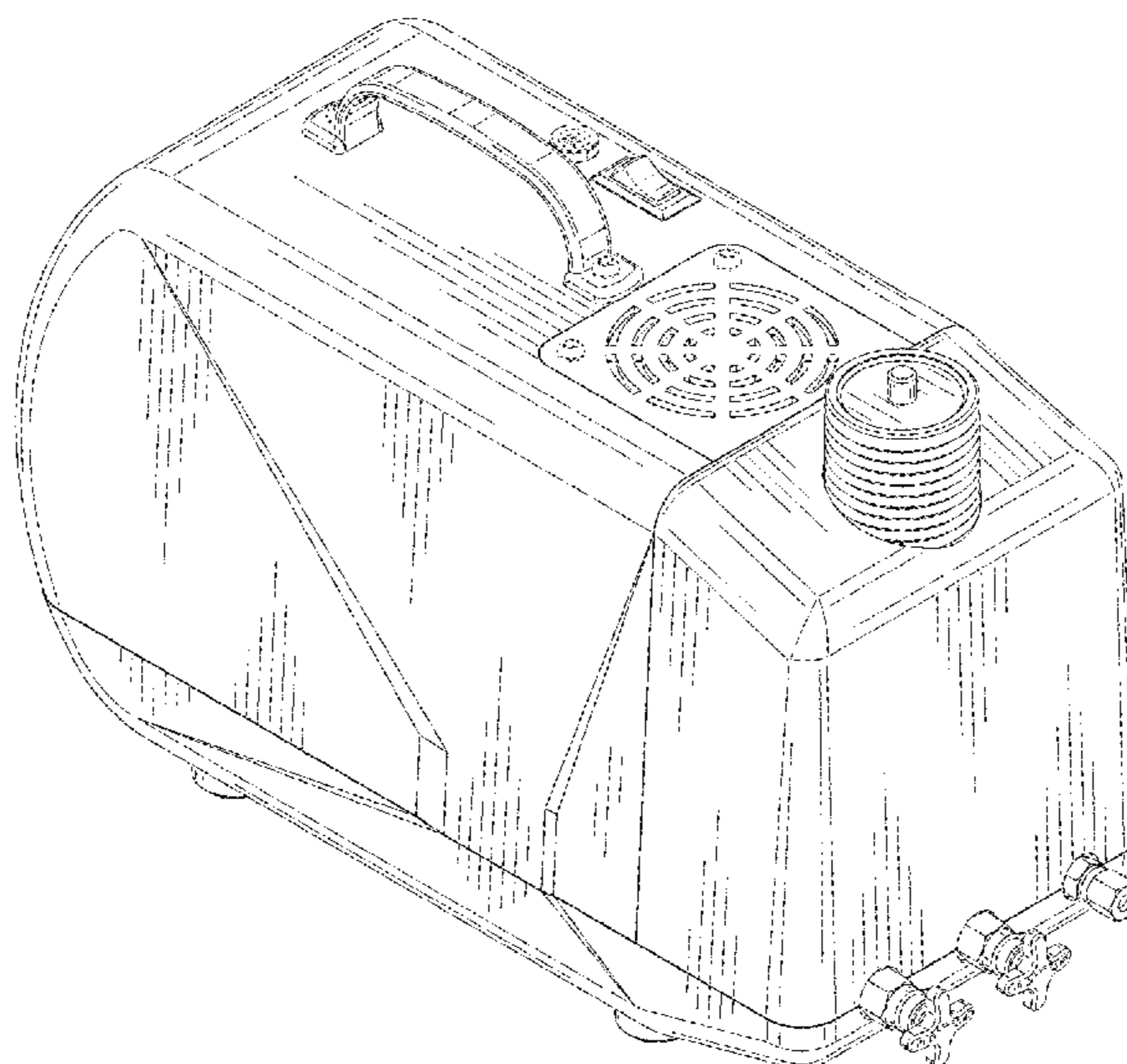
FIG. 6 is a right side view thereof;

FIG. 7 is a top view thereof; and,

FIG. 8 is a bottom view thereof.

The broken lines in the drawings illustrate portions of the air compressor that form no part of the claimed design.

1 Claim, 8 Drawing Sheets



(56)

References Cited

U.S. PATENT DOCUMENTS

D971,966 S * 12/2022 Mjelde D15/7

* cited by examiner

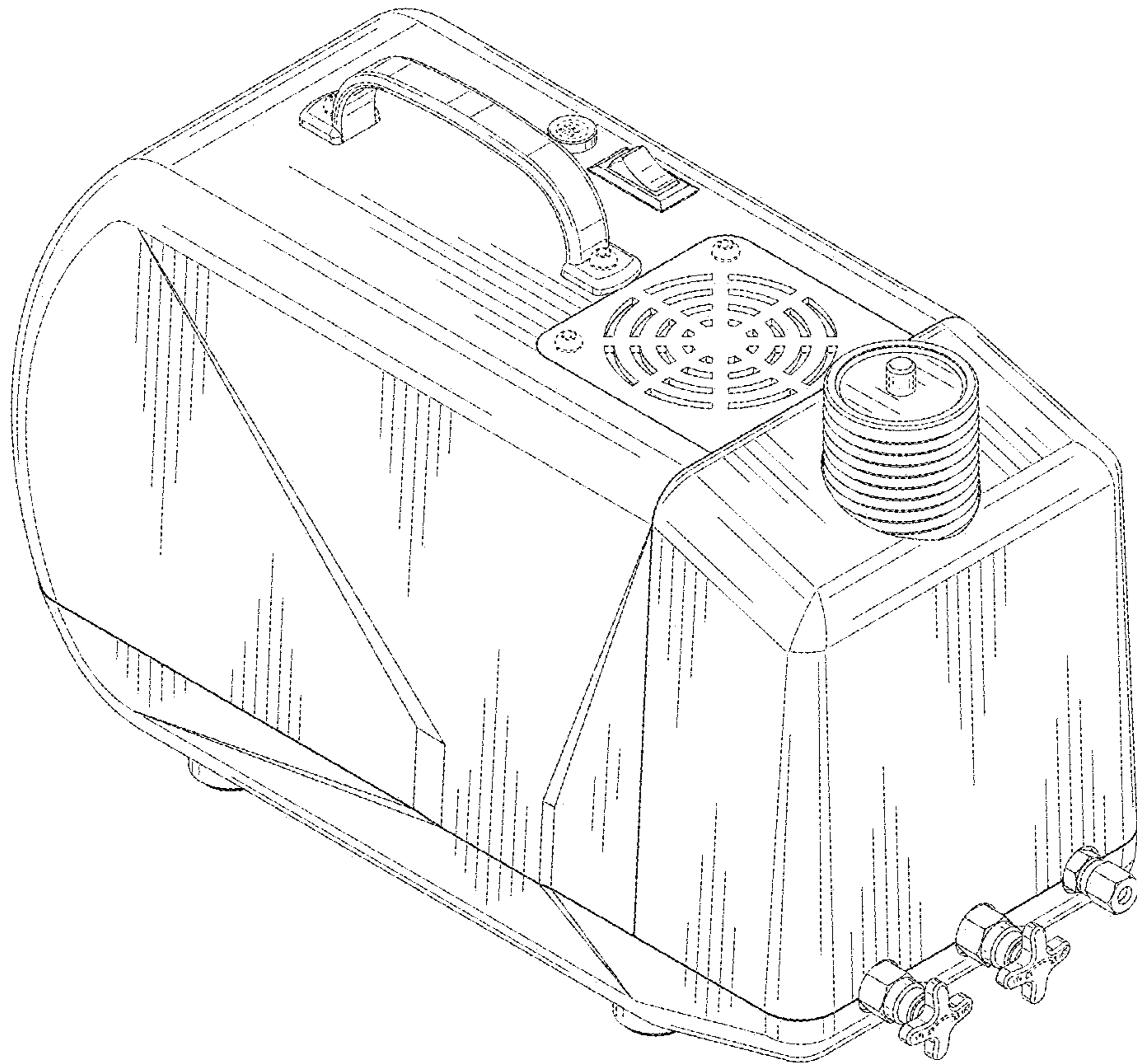


FIG. 1

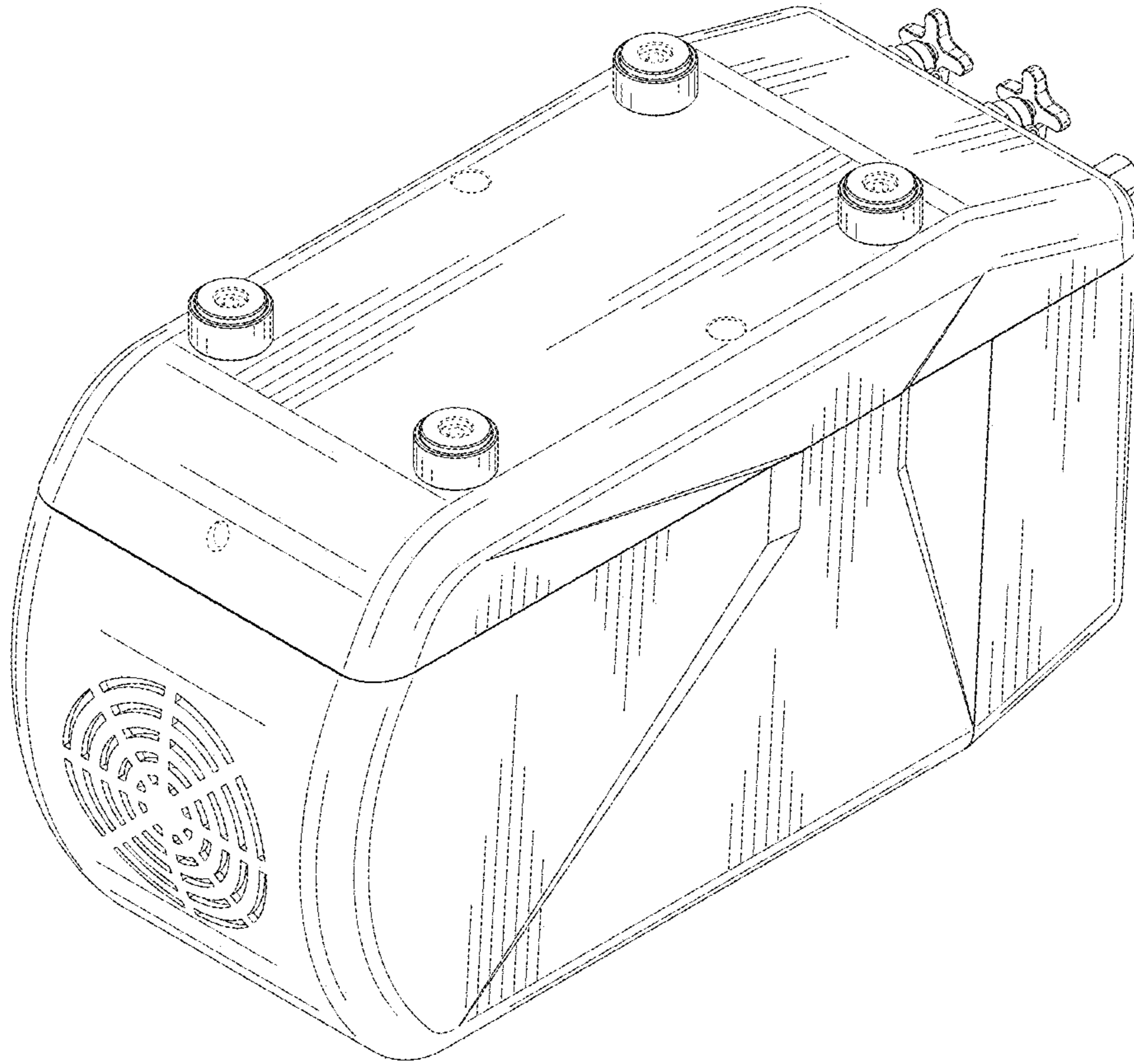


FIG. 2

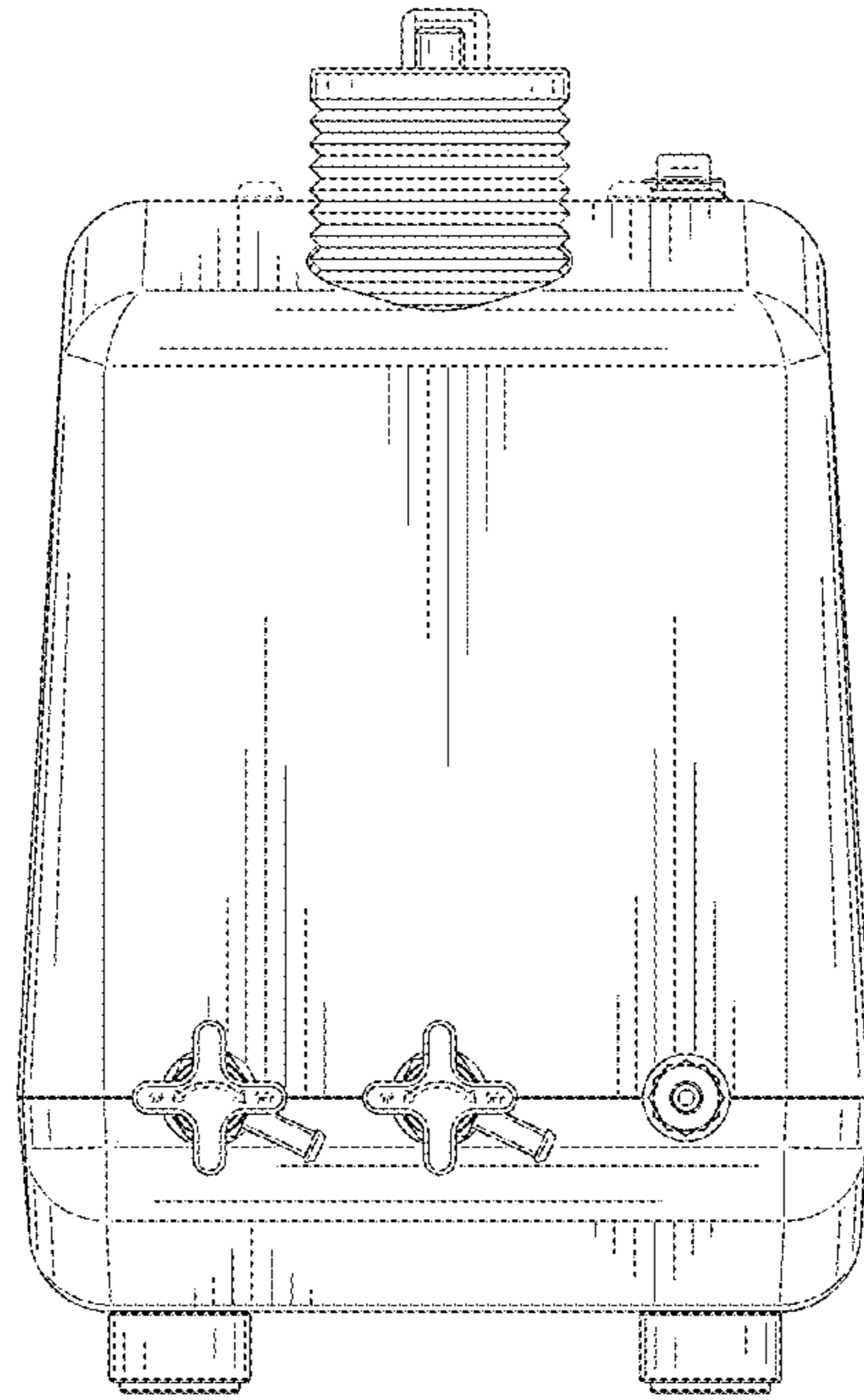


FIG. 3

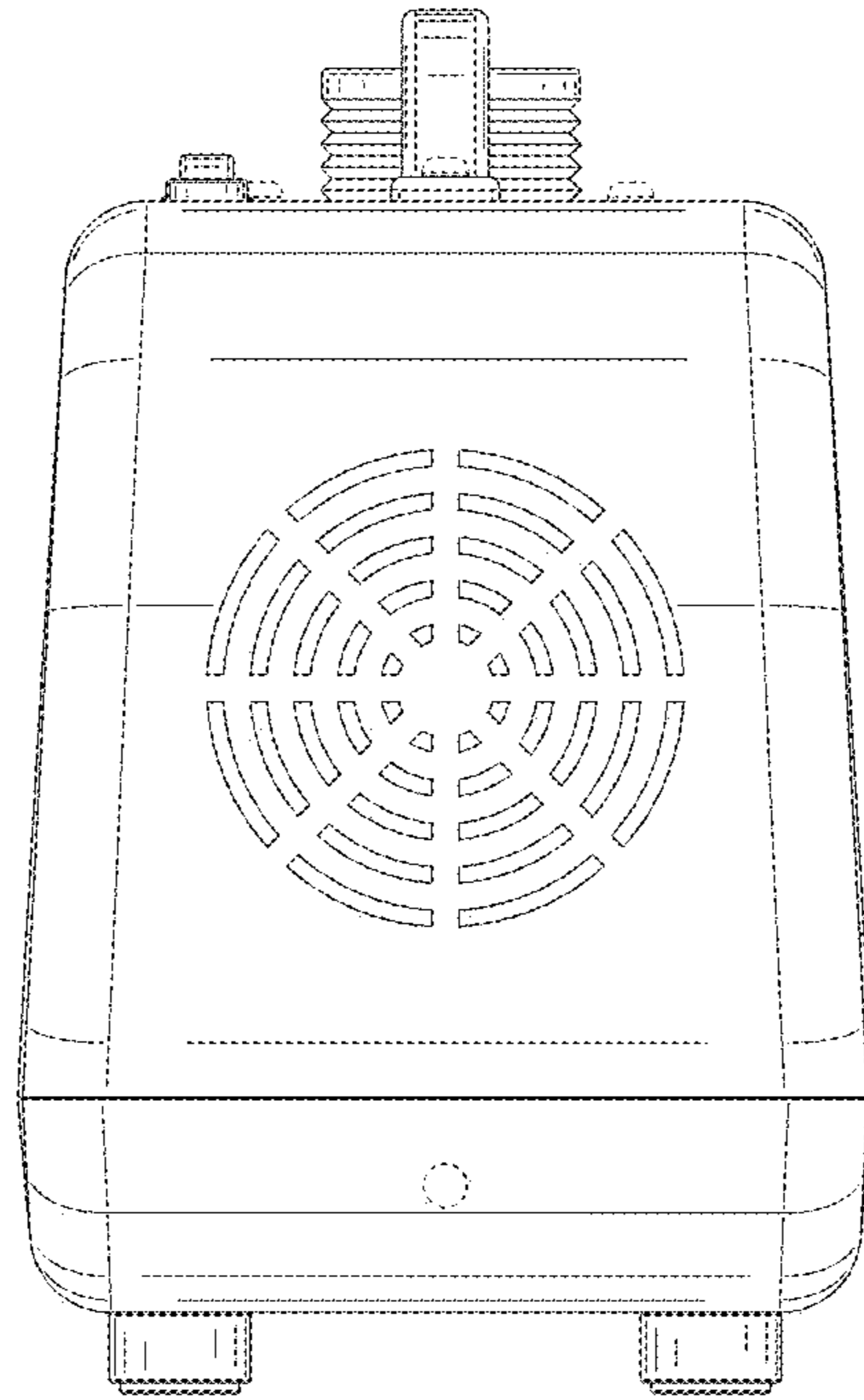


FIG. 4

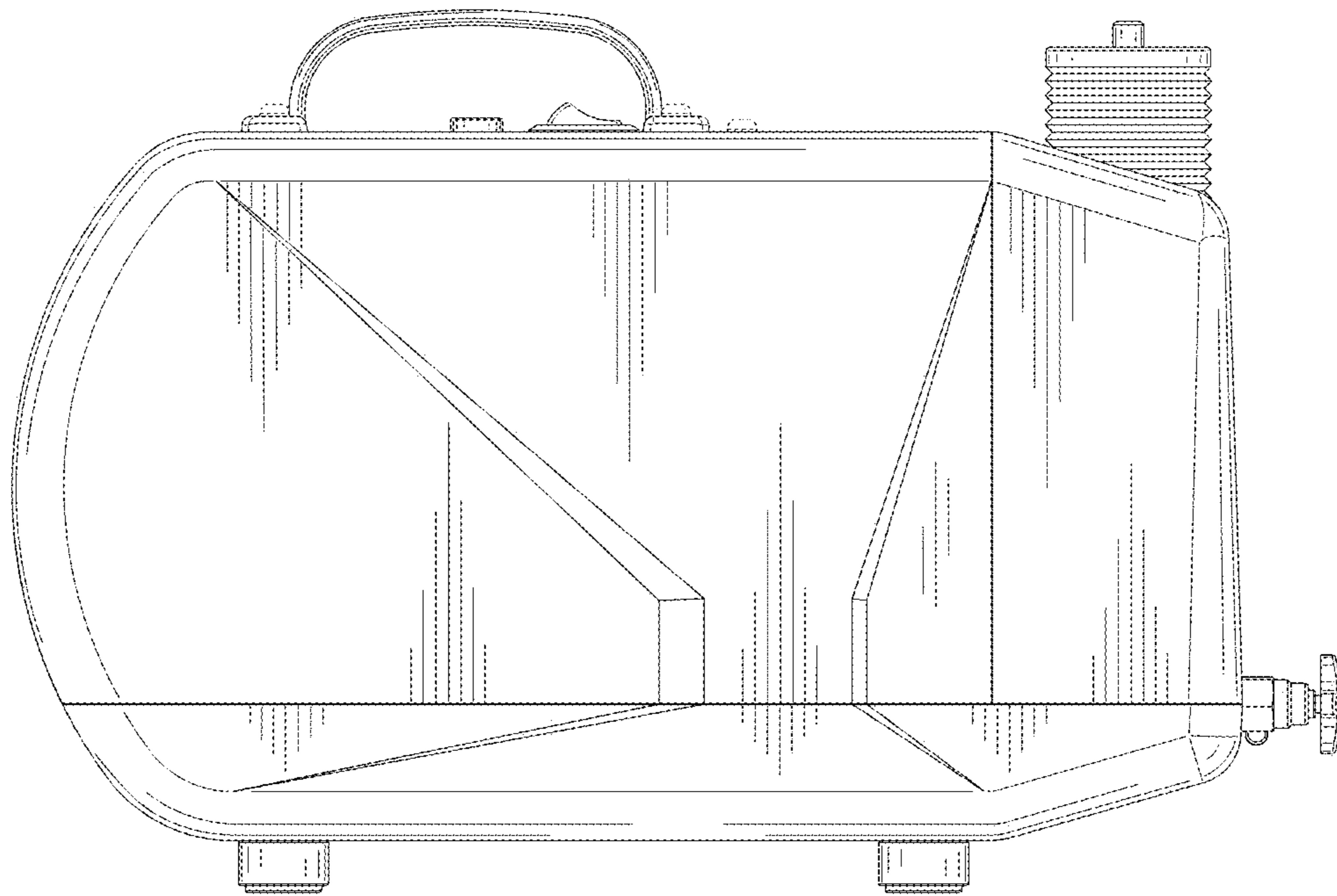


FIG. 5

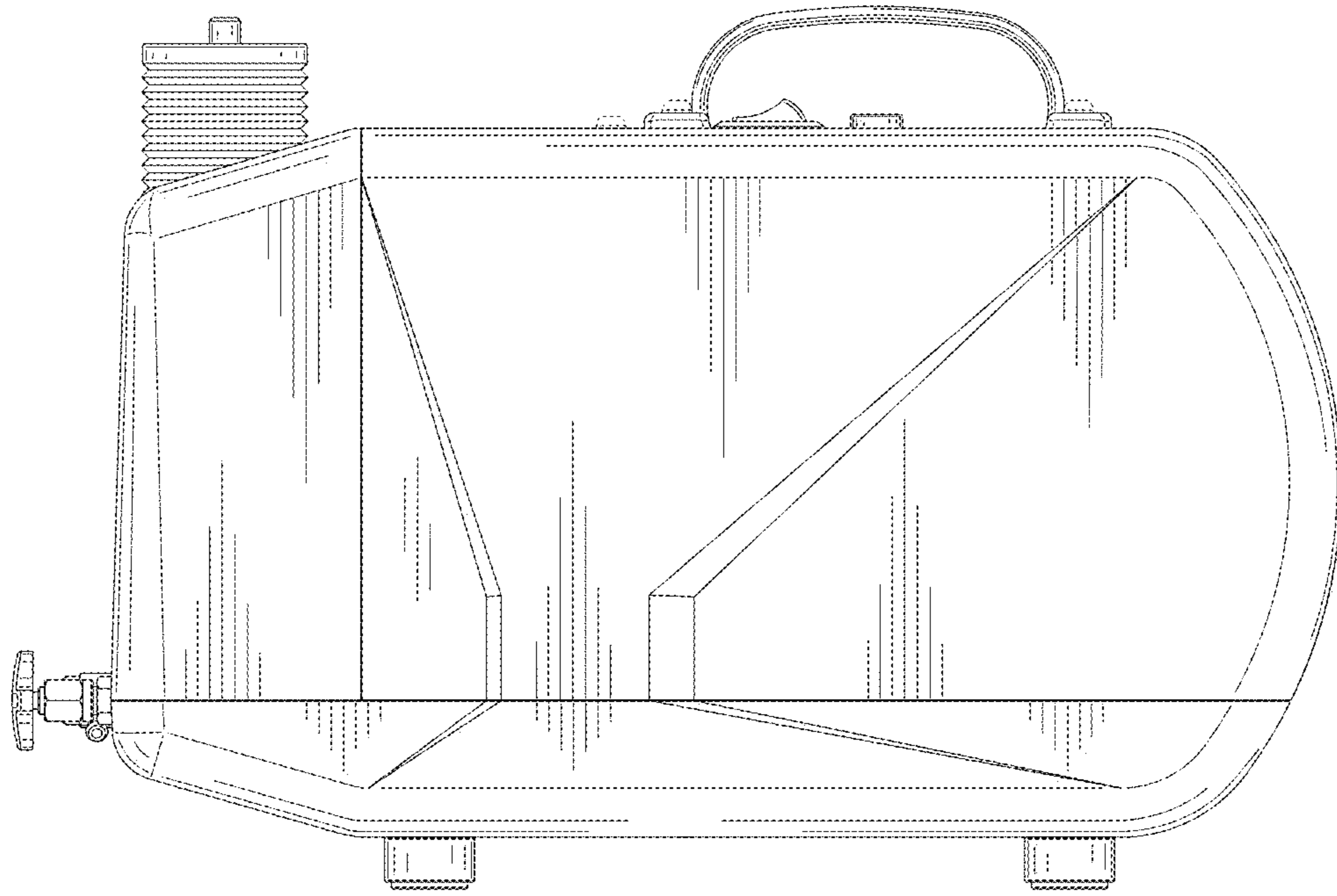


FIG. 6

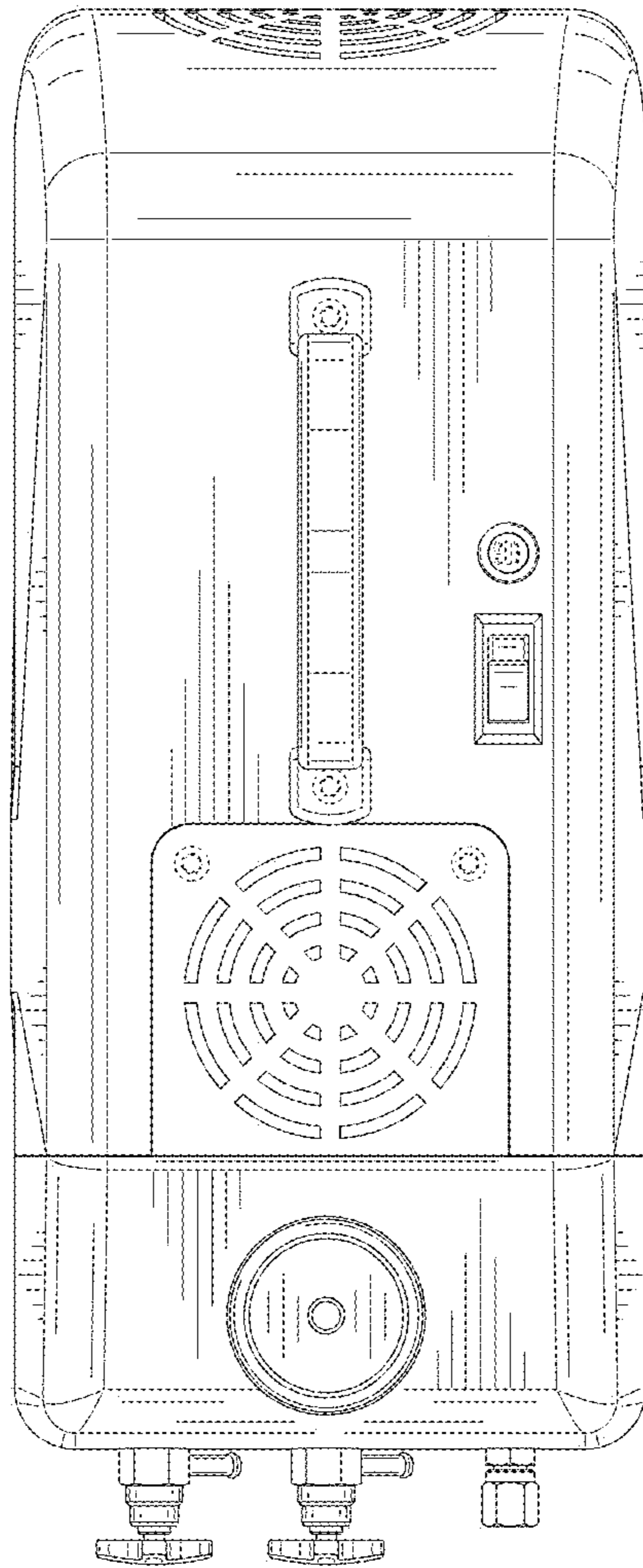


FIG. 7

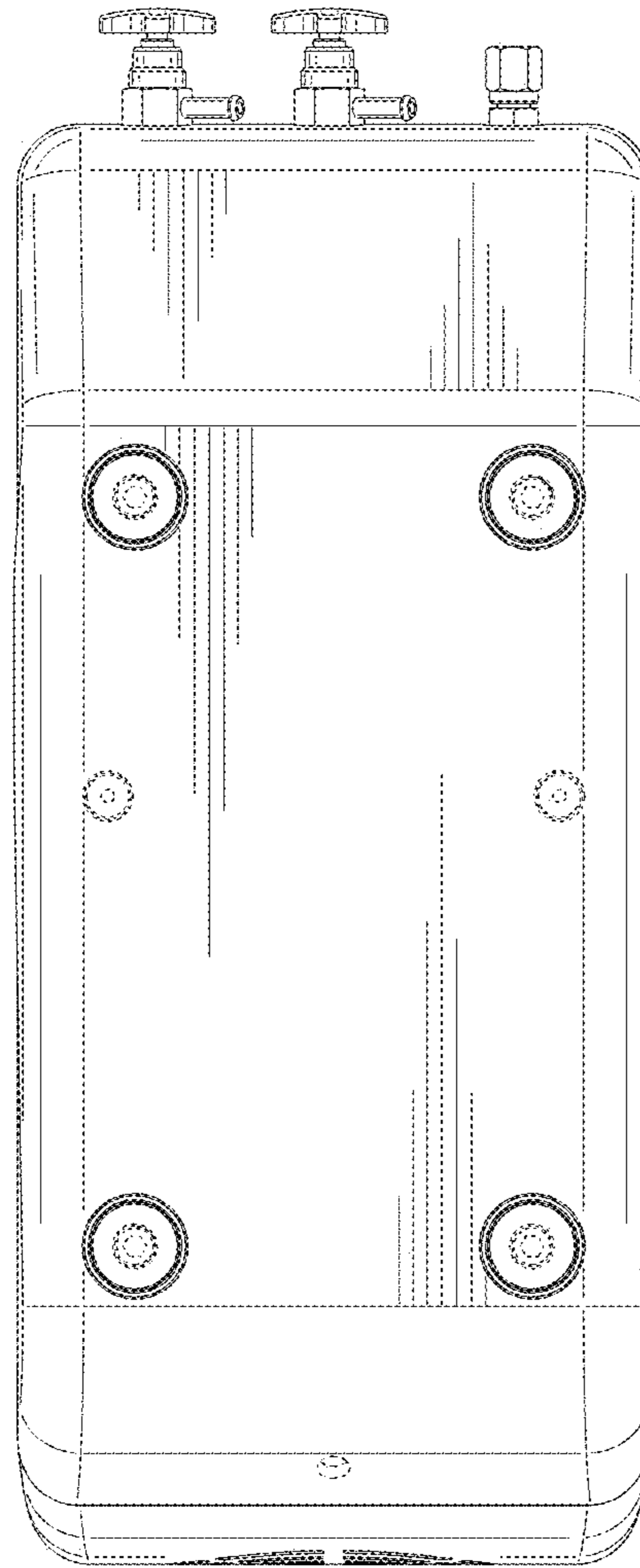


FIG. 8