



US00D985010S

(12) **United States Design Patent** (10) **Patent No.:** **US D985,010 S**  
**Lee et al.** (45) **Date of Patent:** **\*\* May 2, 2023**

(54) **DISPLAY SCREEN OR PORTION THEREOF WITH GRAPHICAL USER INTERFACE**

(71) Applicant: **EOFLOW CO., LTD.**, Seongnam-si (KR)

(72) Inventors: **Dong Min Lee**, Anseong-si (KR); **Jihwan Kim**, Seoul (KR)

(\*\*) Term: **15 Years**

(21) Appl. No.: **35/513,403**

(22) Filed: **Jul. 15, 2021**

(80) **Hague Agreement Data**

Int. Filing Date: **Jul. 15, 2021**

Int. Reg. No.: **DM/216479**

Int. Reg. Date: **Jul. 15, 2021**

Int. Reg. Pub. Date: **Jan. 21, 2022**

(30) **Foreign Application Priority Data**

Feb. 15, 2021 (KR) ..... 30-2021-0007453

(51) **LOC (14) Cl.** ..... **14-04**

(52) **U.S. Cl.**  
USPC ..... **D14/485**

(58) **Field of Classification Search**

USPC ..... D14/485-495

CPC ..... G16H 10/60; G16H 20/10; G16H 20/17

See application file for complete search history.

(56) **References Cited**

**U.S. PATENT DOCUMENTS**

D478,912 S \* 8/2003 Johnson ..... D14/485  
D494,186 S \* 8/2004 Johnson ..... D14/485  
D501,210 S \* 1/2005 Cook ..... D14/486  
D521,019 S \* 5/2006 Ording ..... D14/489

D741,896 S \* 10/2015 Park ..... D14/487  
D742,408 S \* 11/2015 Park ..... D14/489  
D785,646 S \* 5/2017 Daiutolo ..... D14/488  
D808,800 S \* 1/2018 Heidel ..... D9/434  
D817,994 S \* 5/2018 Jou ..... D14/487  
10,120,529 B2 \* 11/2018 Felt ..... G06F 3/0482  
D873,300 S \* 1/2020 Lee ..... D14/492  
D879,118 S \* 3/2020 Chen ..... D14/485  
D887,423 S \* 6/2020 Lee ..... D14/485  
D894,916 S \* 9/2020 Milnark ..... D14/486  
D910,048 S \* 2/2021 Araki ..... D14/486  
D941,352 S \* 1/2022 Miura ..... D14/488

**OTHER PUBLICATIONS**

Fromm, Martin Chapman. "Focal Plane Mark." Noun Project, published Jun. 15, 2015 (Retrieved from the Internet Oct. 31, 2022). Internet URL: <<https://thenounproject.com/icon/focal-plane-mark-163511/>> (Year: 2015).\*

(Continued)

*Primary Examiner* — Rachel A. Voorhies

(74) *Attorney, Agent, or Firm* — Novick, Kim & Lee PLLC; Jae Youn Kim

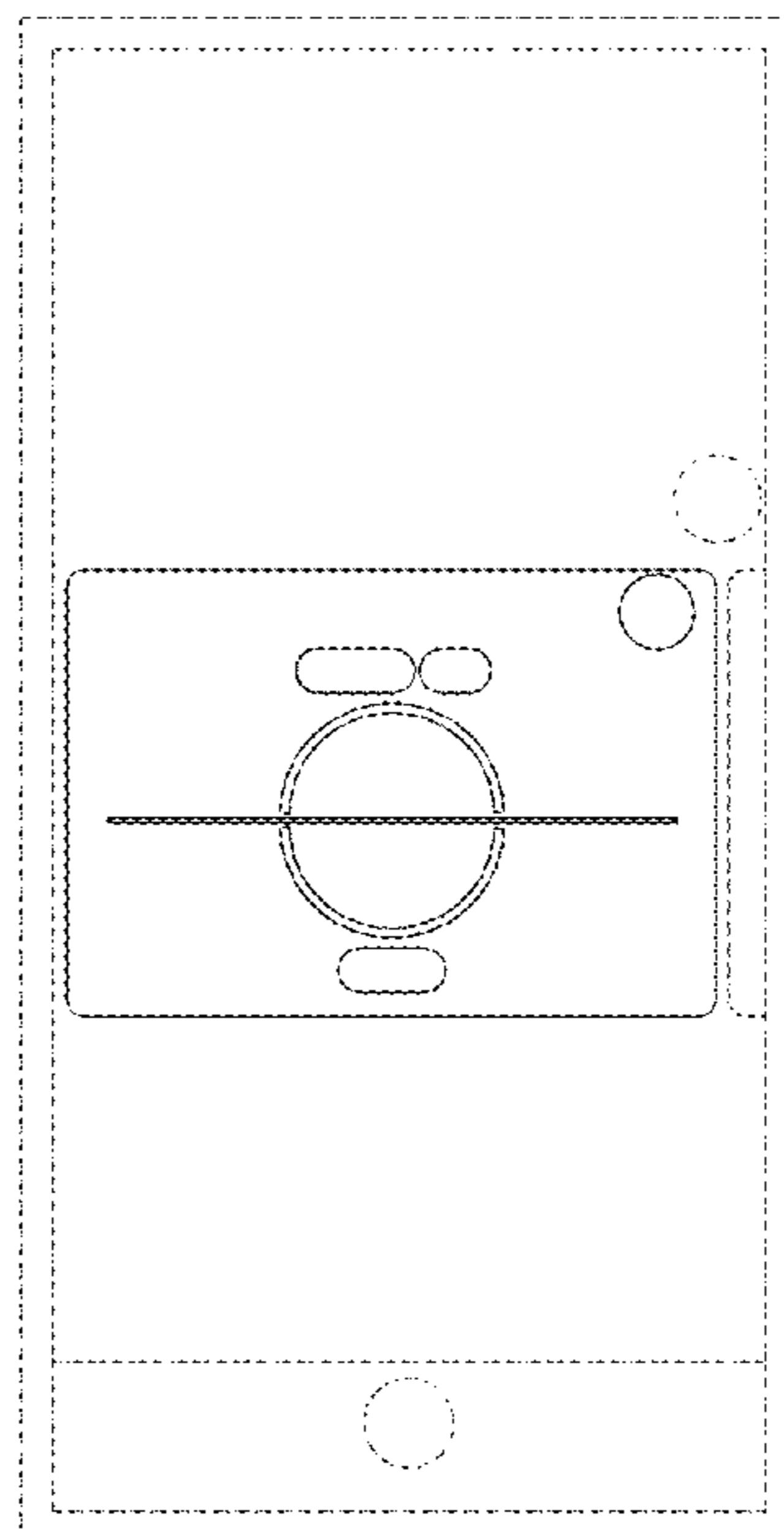
(57) **CLAIM**

We claim the ornamental design for a display screen or portion thereof with graphical user interface, as shown and described.

**DESCRIPTION**

FIG. 1 is a front view of a display screen or portion thereof with a graphical user interface showing our new design. The outer perimeter, illustrated in the figure by a pair of broken lines, illustrates a display screen or portion thereof and forms no part of the claimed design. The remaining broken lines in the drawing illustrate portions of the graphical user interface that form no part of the claimed design.

**1 Claim, 1 Drawing Sheet**



(56)

**References Cited**

OTHER PUBLICATIONS

“Circle with Horizontal Bar.” UTF-8 Icons, published Oct. 27, 2020 (Retrieved from the Internet Oct. 31, 2022). Internet URL: <<https://web.archive.org/web/20201027183314/https://www.utf8icons.com/character/10677/circle-with-horizontal-bar>> (Year: 2020).\*

Kurtenbach, Gordon and Bill Buxton. “GEdit: A Test Bed For Editing By Contiguous Gestures.” GEditBulletin, published Jan. 2, 2020 (Retrieved from the Internet Oct. 31, 2022). Internet URL: <<https://web.archive.org/web/20200102212841/https://www.billbuxton.com/GEditBulletin.html>> (Year: 2020).\*

“Sensor.” Loading.io, published Oct. 27, 2020 (Retrieved from the Internet Oct. 31, 2022). Internet URL: <<https://web.archive.org/web/20201027183106/https://loading.io/icon/kjosi8>> (Year: 2020).\*

\* cited by examiner

