



US00D985002S

(12) **United States Design Patent** (10) **Patent No.:** **US D985,002 S**
Chu et al. (45) **Date of Patent:** **** May 2, 2023**

(54) **ALL-IN-ONE COMPUTER**
(71) Applicant: **Hewlett-Packard Development Company, L.P.**, Spring, TX (US)

D762,603 S 8/2016 Han et al.
D767,569 S 9/2016 Yeom
D780,736 S 3/2017 Chen et al.
(Continued)

(72) Inventors: **Henry Ken Chu**, San Jose, CA (US);
Glenn A. Wong, Palo Alto, CA (US)

FOREIGN PATENT DOCUMENTS

(73) Assignee: **Hewlett-Packard Development Company, L.P.**, Spring, TX (US)

CN 302630579 S 11/2013
CN 303738834 * 7/2016
(Continued)

(**) Term: **15 Years**

OTHER PUBLICATIONS

(21) Appl. No.: **29/827,974**

Dell. Link: <https://www.dell.com/en-us/work/shop/desktops-all-in-one-pcs/optiplex-7780-all-in-one/spd/optiplex-7780-aio/cto02o7780aious>. Visited May 9, 2022. OptiPlex 7780 All-in-One. (Year: 2022).*

(22) Filed: **Feb. 23, 2022**

(Continued)

Related U.S. Application Data

(62) Division of application No. 29/707,827, filed on Oct. 1, 2019, now Pat. No. Des. 947,174.

Primary Examiner — Lauren D McVey

(74) *Attorney, Agent, or Firm* — Quarles & Brady LLP

(51) **LOC (14) Cl.** **14-02**

(57) **CLAIM**

(52) **U.S. Cl.**
USPC **D14/336**

The ornamental design for an all-in-one computer, as shown and described.

(58) **Field of Classification Search**
USPC D14/125, 126, 127, 128, 129, 341, 336,
D14/337, 371, 372, 373, 374, 375, 376,
D14/377
CPC G06F 1/1601; G06F 1/1605; G06F 1/162
See application file for complete search history.

DESCRIPTION

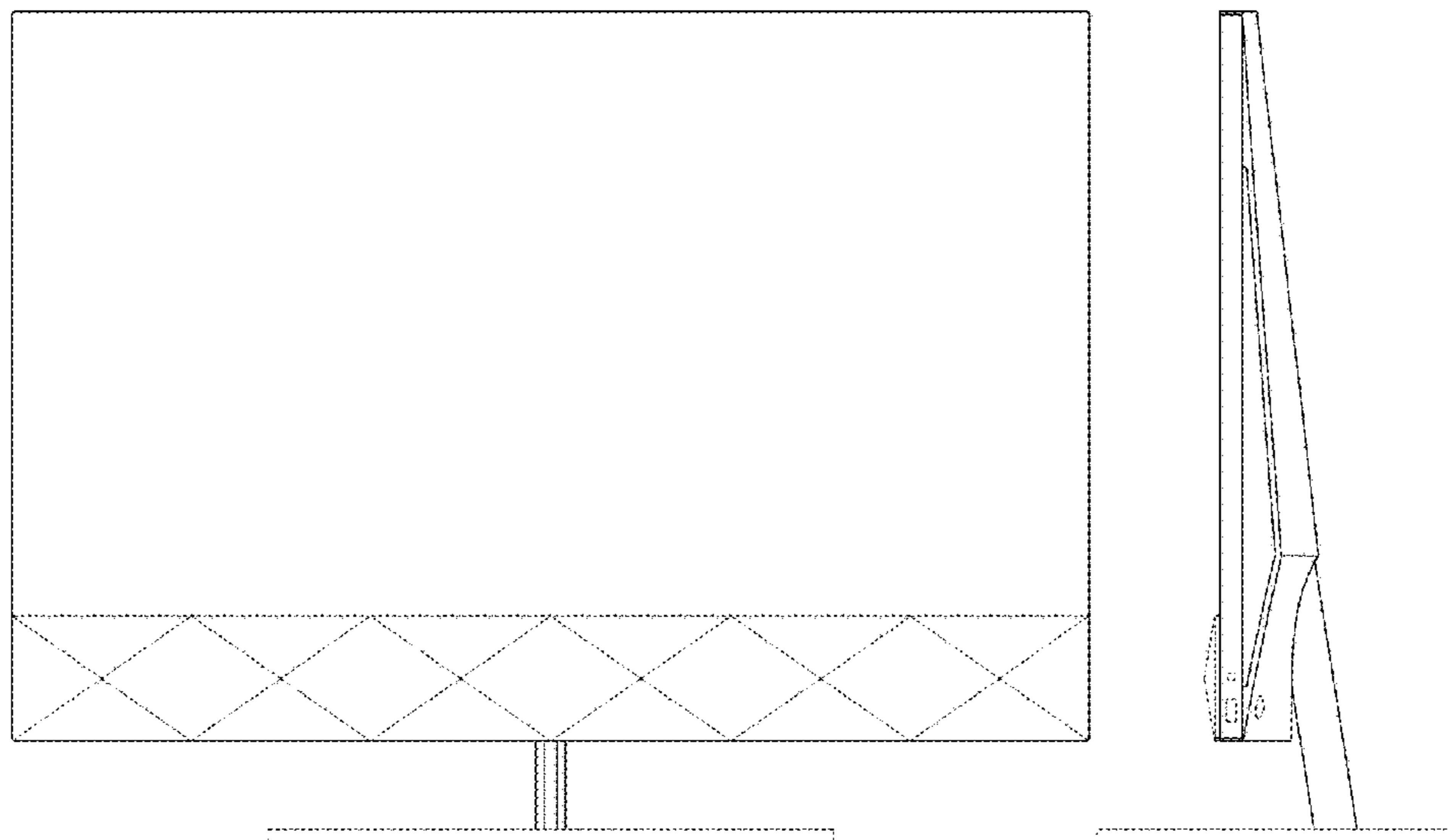
FIG. 1 is a front, right, top perspective view of an all-in-one computer showing our new design;
FIG. 2 is a front, left, top perspective view thereof;
FIG. 3 is a front, right, bottom perspective view thereof;
FIG. 4 is a front elevation view thereof;
FIG. 5 is a rear elevation view thereof;
FIG. 6 is a top plan view thereof;
FIG. 7 is a bottom plan view thereof;
FIG. 8 is a cross-section view thereof taken along line 8-8 of FIG. 1;
FIG. 9 is a left-side elevation view thereof; and,
FIG. 10 is a right-side elevation view thereof.
The broken lines are directed to environment and form no part of the claimed design.

(56) **References Cited**

U.S. PATENT DOCUMENTS

D558,736 S 1/2008 Kita
D594,005 S 6/2009 Shi et al.
D607,427 S 1/2010 Ho et al.
D626,528 S 11/2010 Park et al.
D630,179 S 1/2011 Park et al.
D631,037 S 1/2011 Park et al.
D648,292 S 11/2011 Park et al.
D759,616 S 6/2016 Han et al.
D761,748 S 7/2016 Han et al.

1 Claim, 8 Drawing Sheets



(56)

References Cited

U.S. PATENT DOCUMENTS

D899,388	S	*	10/2020	Park	D14/126
D918,162	S	*	5/2021	He	D14/126
D920,325	S		5/2021	Andresen		
D928,152	S	*	8/2021	Fong	D14/376
D929,953	S	*	9/2021	Ma	D14/126
D937,794	S	*	12/2021	Park	D14/126
D941,290	S	*	1/2022	Little	D14/374
D946,542	S	*	3/2022	Jang	B64D 11/00154 D14/126
D946,543	S	*	3/2022	Jang	B64D 11/00154 D14/126
D947,174	S	*	3/2022	Chu	D14/336
D964,348	S	*	9/2022	Yoon	D14/336

FOREIGN PATENT DOCUMENTS

CN	304524638	*	3/2018
CN	304529892	*	3/2018
CN	305575125	S	1/2020
EM	008520092-0005		5/2021
GB	8211400000-1000		11/2020

OTHER PUBLICATIONS

Dell. Link: <https://www.dell.com/en-us/work/shop/dell-24-video-conferencing-monitor-c2422he/apd/210-aypj/monitors-monitor-accessories>. Visited May 9, 2022. Dell 24 Video Conferencing Monitor—C2422HE. (Year: 2022).*

“HP 27 Pavilion All-in-One PC,” retrieved at https://www.amazon.com/HP-i7-10700T-Processor-Touchscreen-27-d0072/dp/B08BX9CJC2/ref=sr_1_3?dchild=1&keywords=HP++Pavilion+27%22&qid=1626972020&sr=8-3, retrieved on Mar. 7, 2022, 10 pages.

“HP Envy 31.5" All-in-One Desktop PC,” retrieved at https://www.amazon.com/HP-Desktop-Display-i7-10700-Wireless/dp/B0987ZPHZG/ref=sr_1_1?dchild=1&keywords=B0987ZPHZG&qid=1626972512&s=electronics&sr=1-1, retrieved on Mar. 7, 2022, 9 pages.

“Unboxing HP All In One Desktop,” retrieved at <https://www.youtube.com/watch?v=SV003W4WUCo>, Oct. 1, 2020, 3 pages.

* cited by examiner

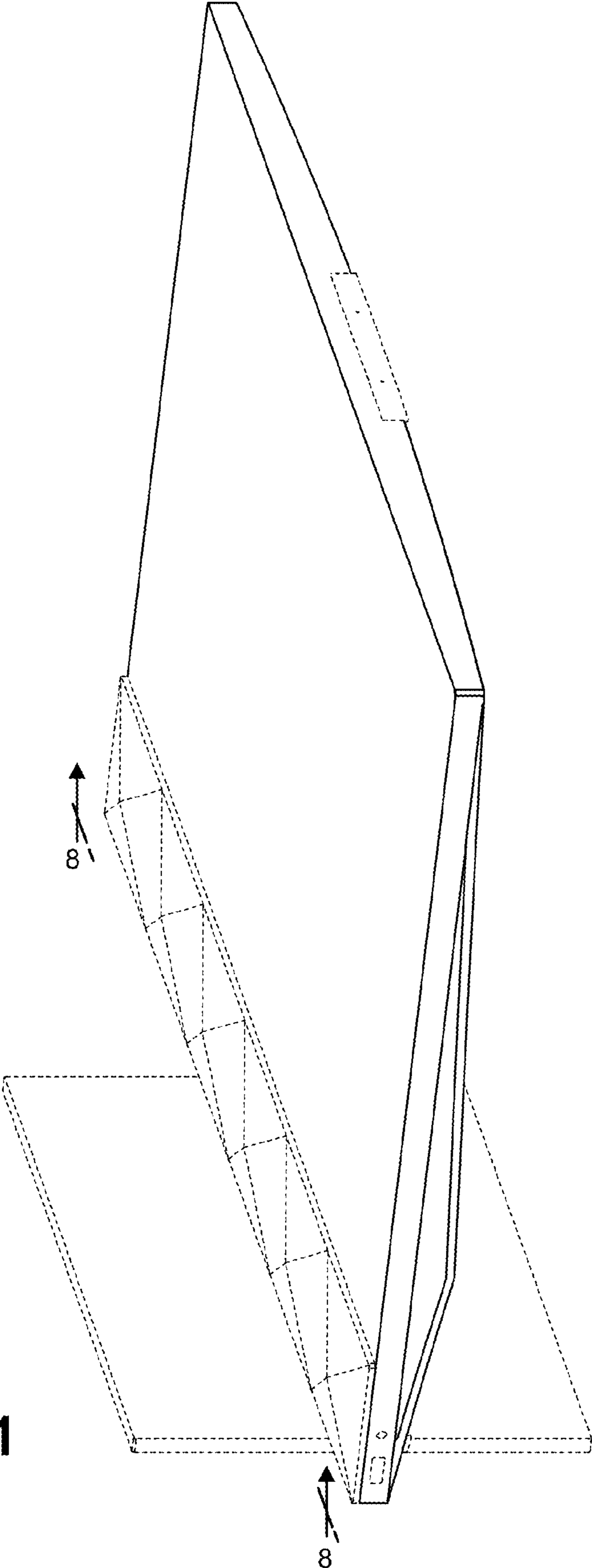


FIG. 1

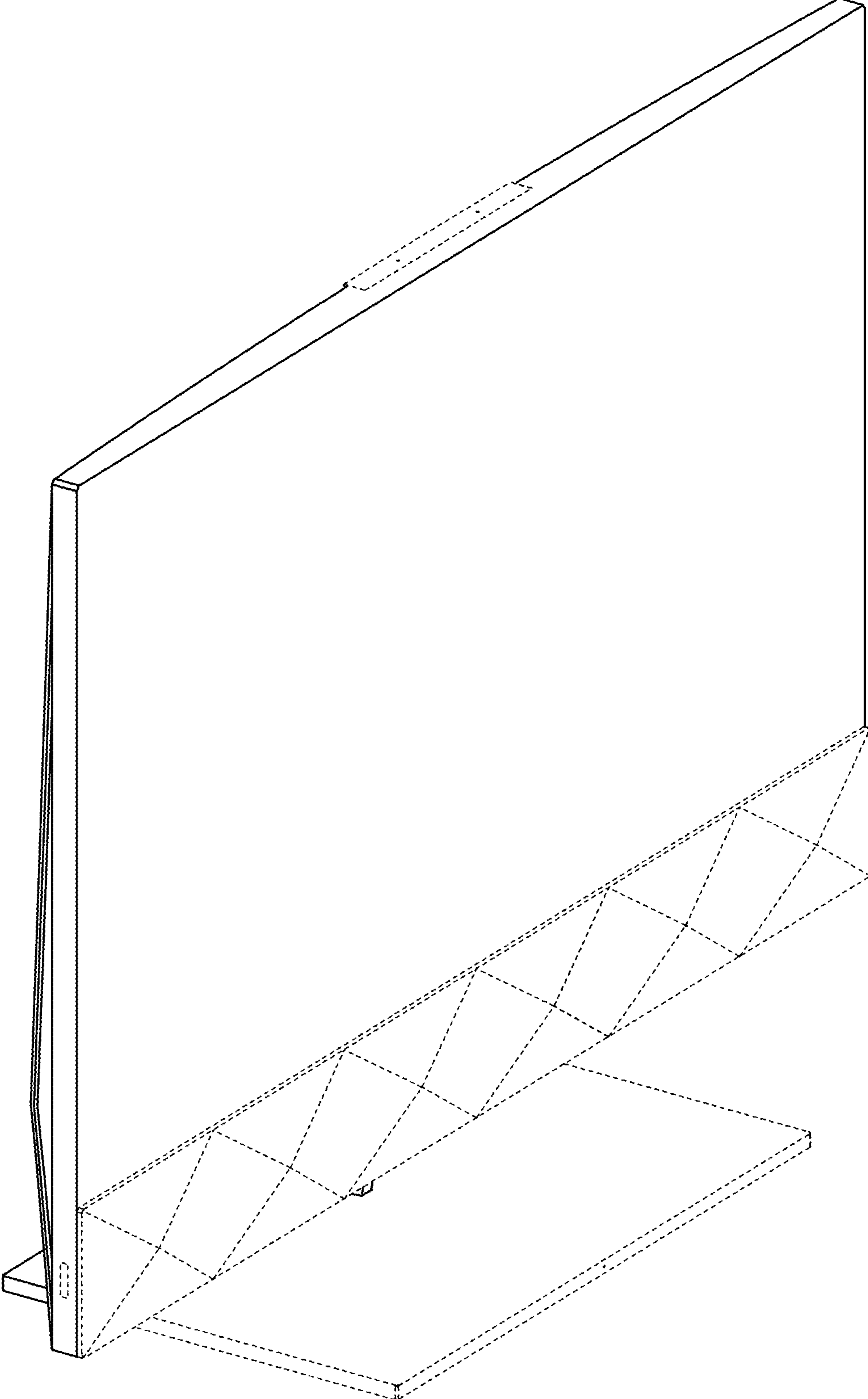


FIG. 2

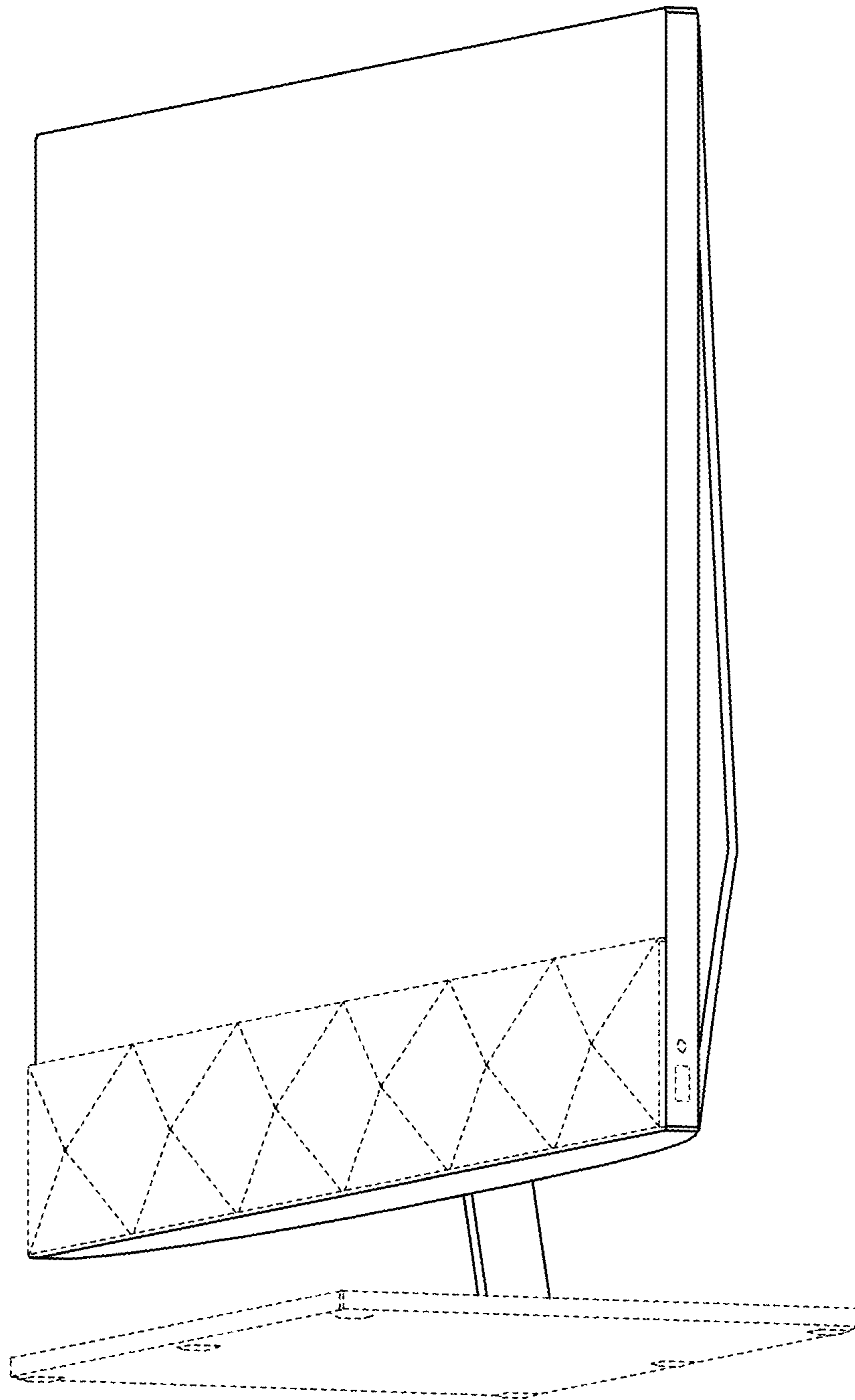


FIG. 3

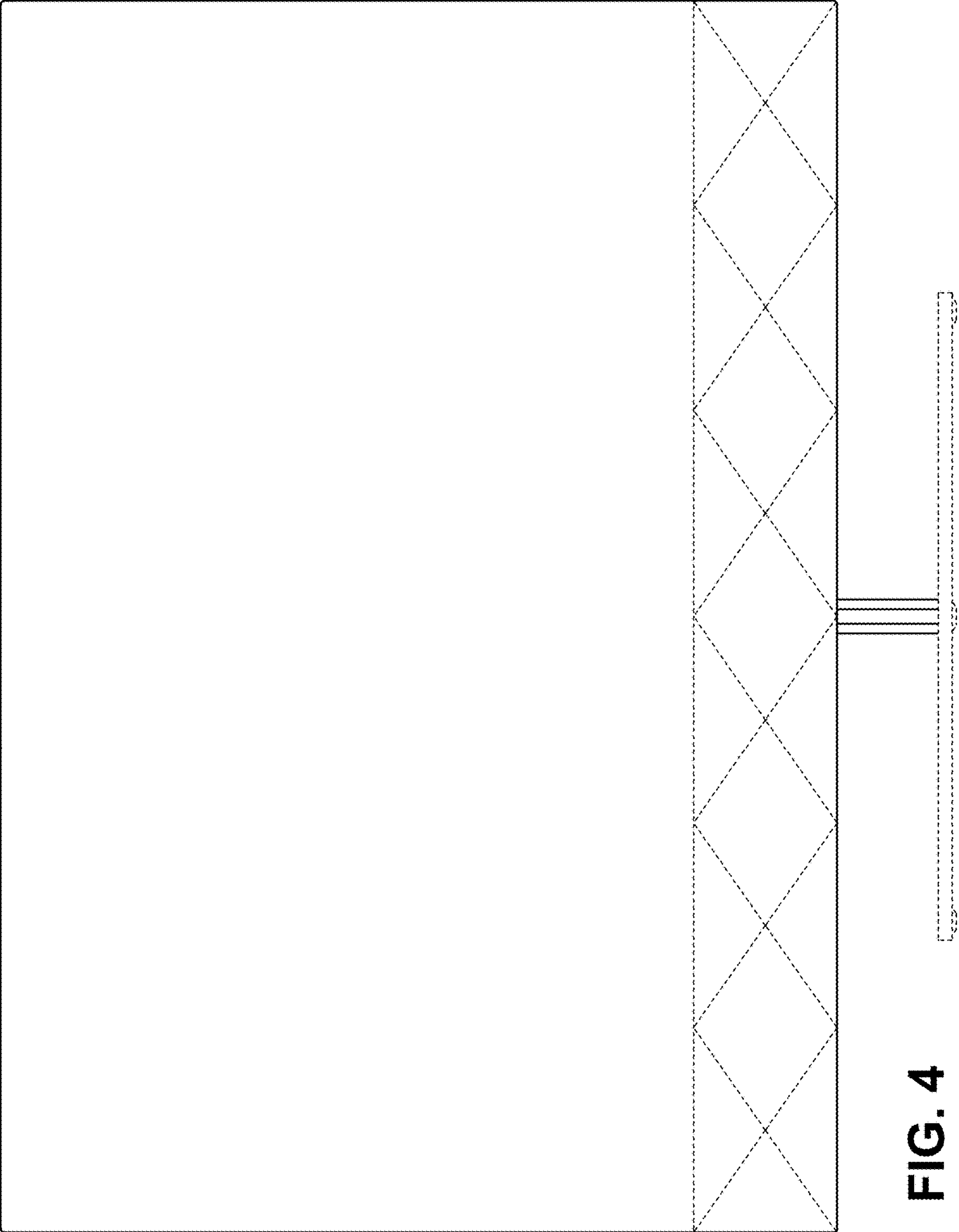


FIG. 4

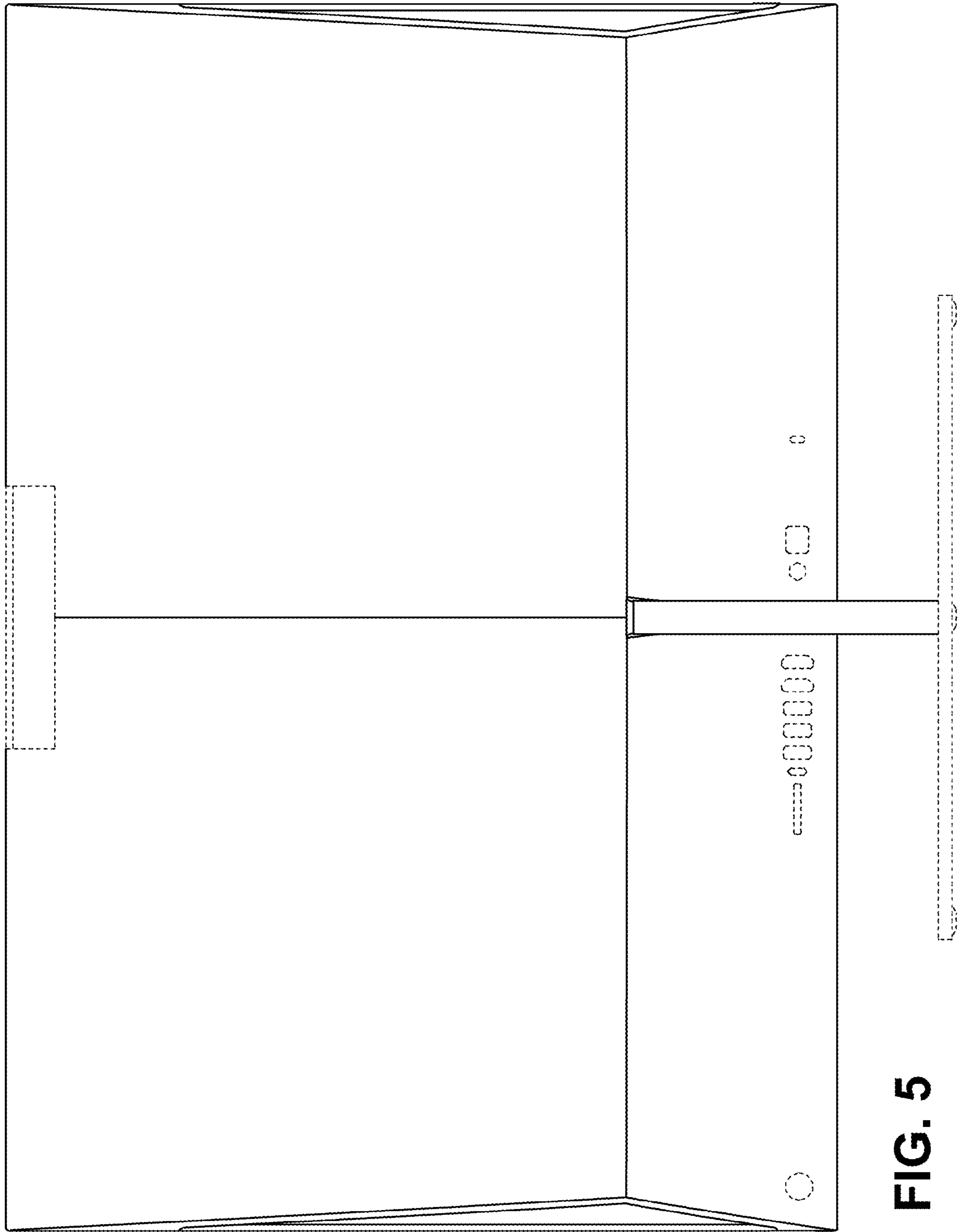


FIG. 5

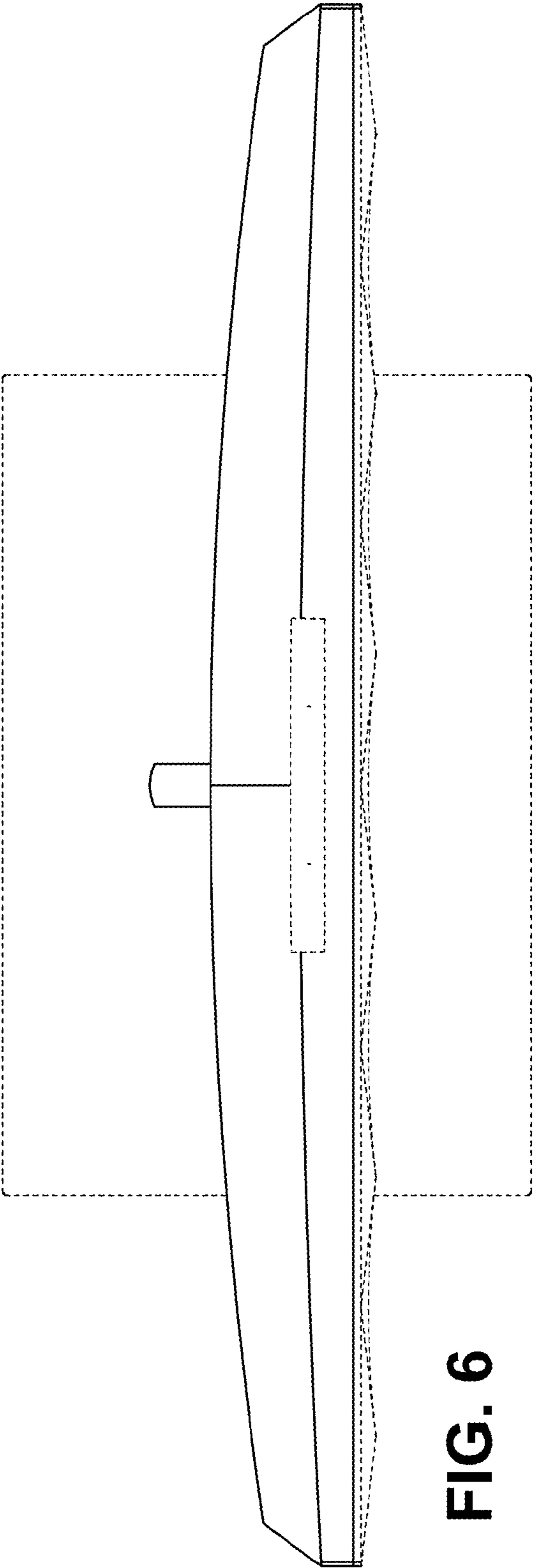


FIG. 6

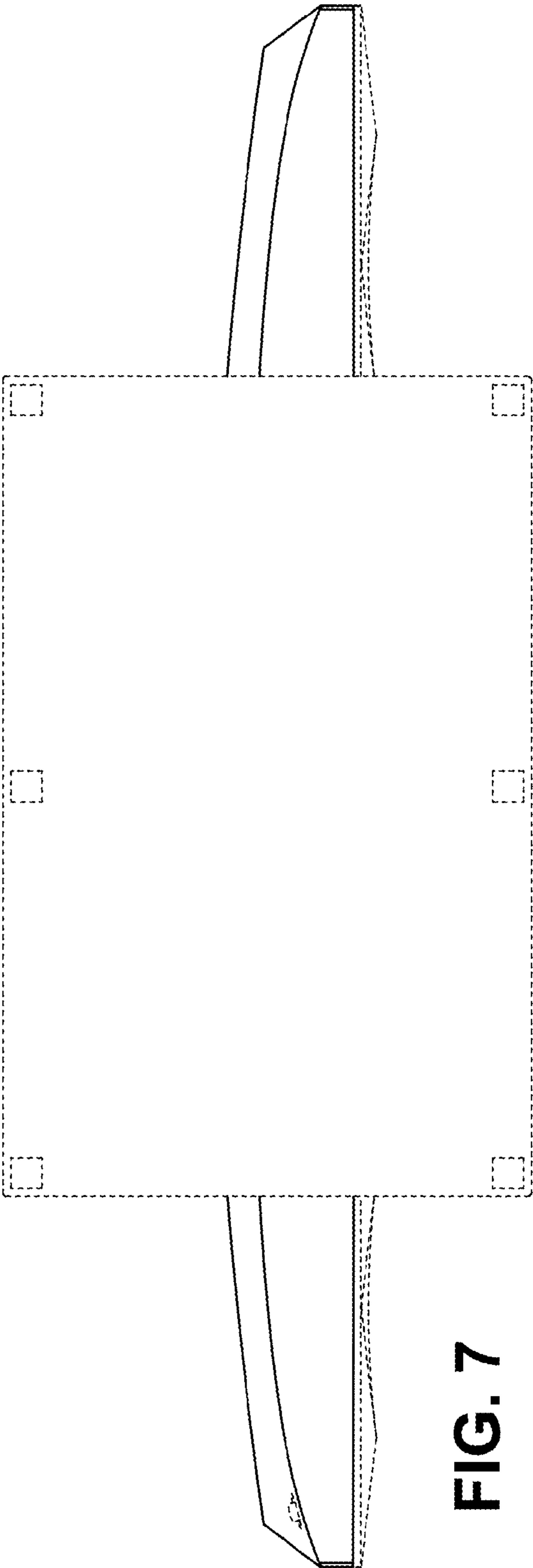


FIG. 7

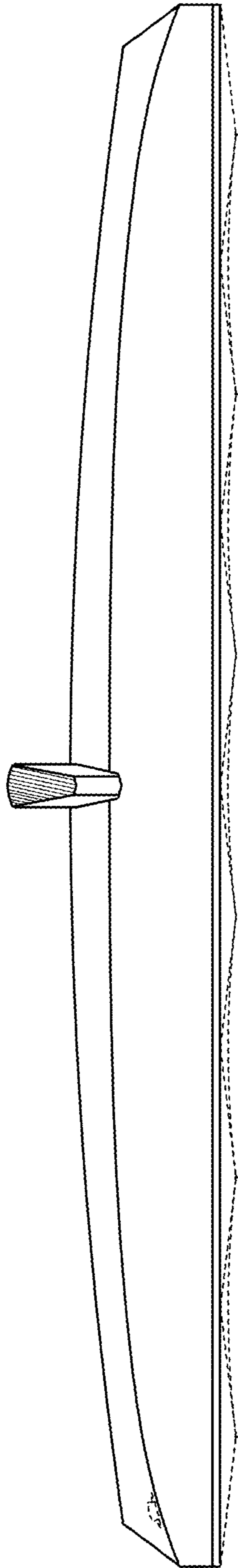


FIG. 8

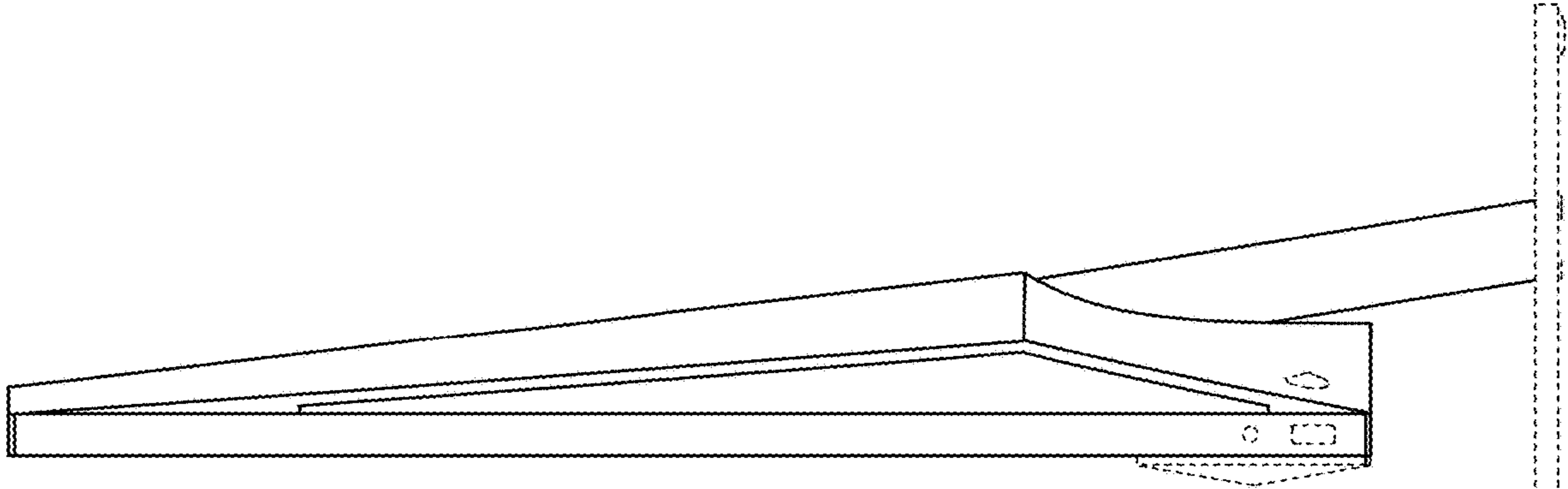


FIG. 9

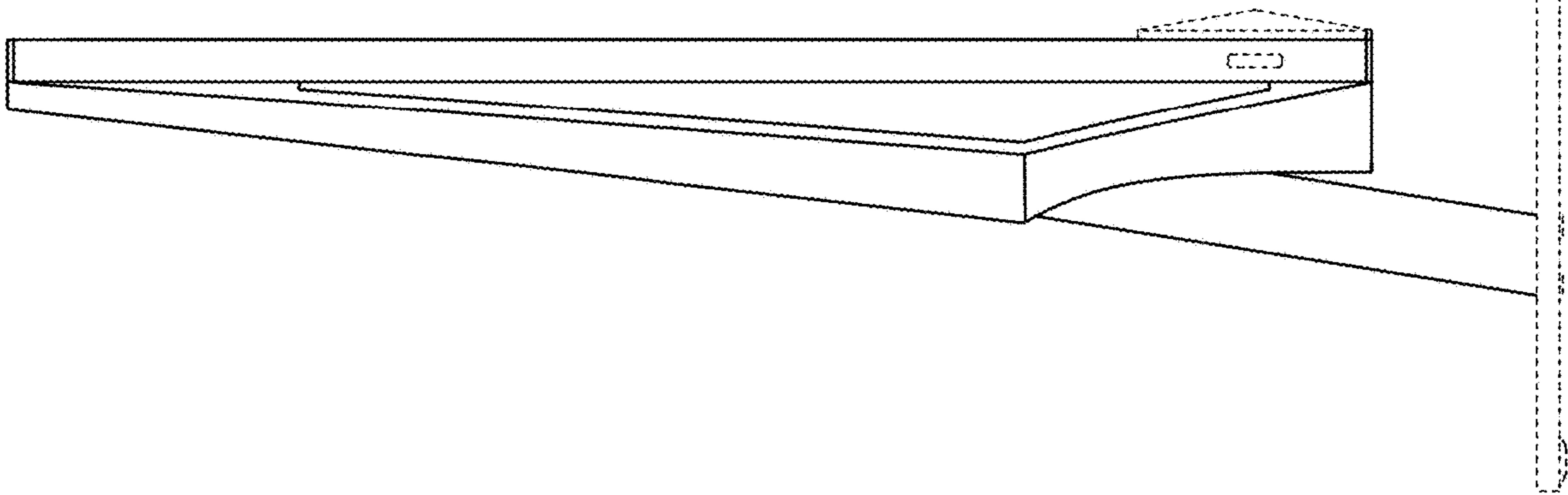


FIG. 10