



US00D985000S

(12) **United States Design Patent** (10) **Patent No.:** **US D985,000 S**
Cheng (45) **Date of Patent:** **** May 2, 2023**

(54) **TABLET CASE**
(71) Applicant: **GUANGZHOU HUIYUE TECHNOLOGY DEVELOPMENT CO., LTD.,** Guangzhou (CN)
(72) Inventor: **Ganhua Cheng,** Anqing (CN)
(73) Assignee: **GUANGZHOU HUIYUE TECHNOLOGY DEVELOPMENT CO., LTD.,** Guangzhou (CN)

D891,435 S 7/2020 Cheng
D897,348 S * 9/2020 Liao D14/440
D898,036 S * 10/2020 Cheng D14/440
D910,642 S 2/2021 Li
D912,282 S * 3/2021 Kim D26/28
D920,982 S * 6/2021 Xu D14/440
D930,002 S * 9/2021 Zhou D14/440
D937,275 S * 11/2021 Cheng D14/440
D942,456 S * 2/2022 Liao D14/440
D944,256 S * 2/2022 Cheng D14/440
D946,579 S * 3/2022 Tan D14/440
D949,153 S * 4/2022 Chen D14/440
D951,959 S * 5/2022 Qu D14/440

(Continued)

(**) Term: **15 Years**

Primary Examiner — Cynthia R Underwood
(74) *Attorney, Agent, or Firm* — Daniel M. Cohn;
Howard M. Cohn

(21) Appl. No.: **29/860,607**

(22) Filed: **Nov. 21, 2022**

(51) **LOC (14) Cl.** **14-02**

(52) **U.S. Cl.**
USPC **D14/440**

(58) **Field of Classification Search**
USPC D14/440, 447, 250; 361/679.55;
206/45.23, 320, 45.2; 294/25;
455/575.8; D3/294
CPC ... G06F 1/1628; G06F 1/1626; A47B 23/044;
A45C 11/00
See application file for complete search history.

(56) **References Cited**

U.S. PATENT DOCUMENTS

D643,843 S * 8/2011 Hsieh D14/440
D660,305 S * 5/2012 Ho D14/447
D711,886 S * 8/2014 Kerawala D14/440
9,074,725 B2 * 7/2015 Trotsky F16M 11/105
D747,321 S * 1/2016 London D14/440
D835,088 S * 12/2018 Zhuang D14/440
D837,219 S * 1/2019 Gao D14/440
D851,649 S * 6/2019 Tan D14/440
D858,507 S * 9/2019 Jang D14/251
D883,987 S * 5/2020 Cheng D14/440

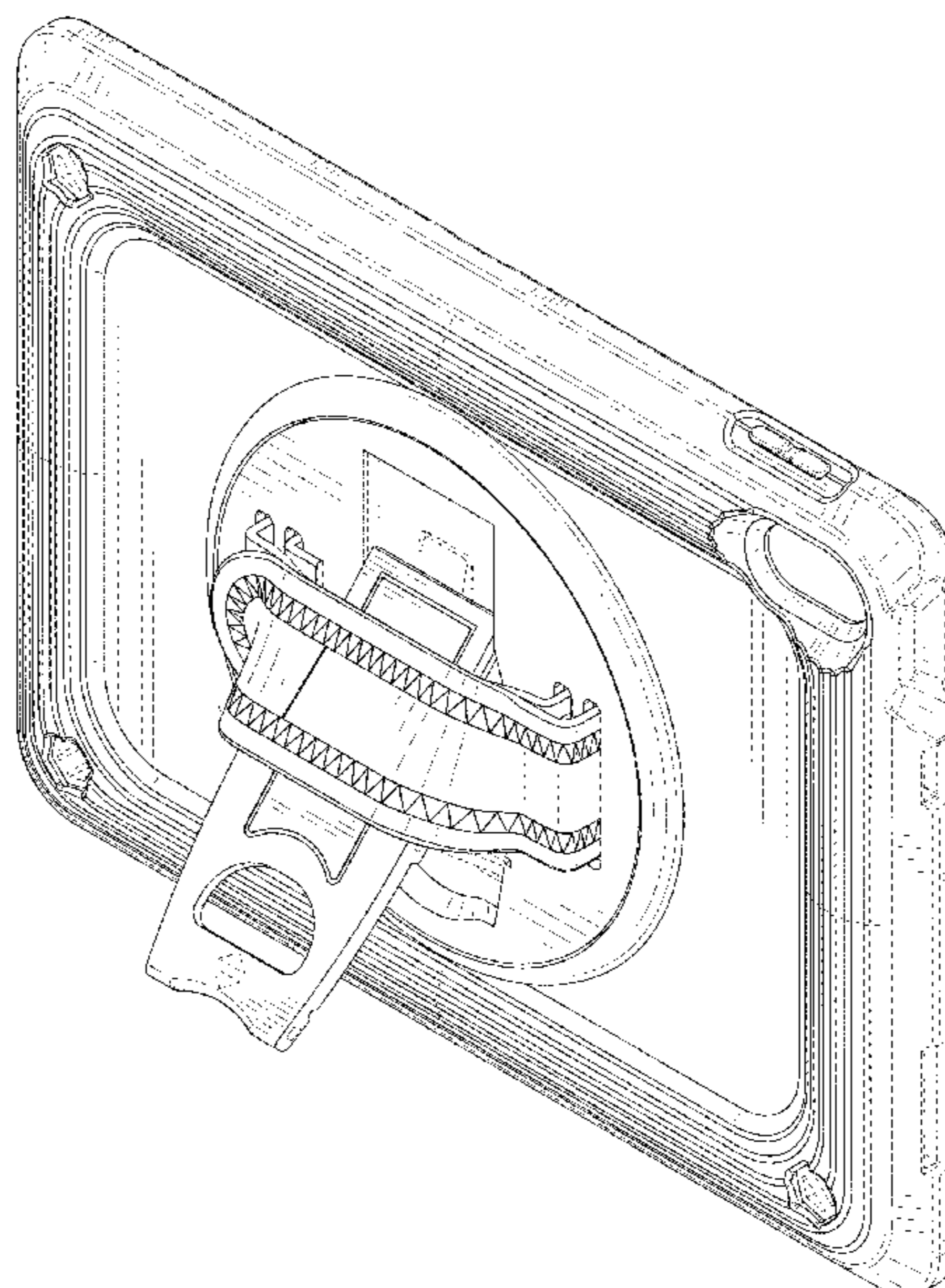
(57) **CLAIM**

The ornamental design for a tablet case, as shown and described.

DESCRIPTION

FIG. 1 is a perspective view of a tablet case showing my new design;
FIG. 2 is another perspective view thereof;
FIG. 3 is a front elevational view thereof;
FIG. 4 is a rear elevational view thereof;
FIG. 5 is a left side elevational view thereof;
FIG. 6 is a right side elevational view thereof;
FIG. 7 is a top plan view thereof;
FIG. 8 is a bottom plan view thereof;
FIG. 9 is a perspective view of the tablet case where the tablet case is in a configuration of use; and,
FIG. 10 is an enlarged view of portion 10 shown in FIG. 1. The dash-dash broken lines in the drawings depict portions of the tablet case that form no part of the claimed design. The dot-dash broken lines represent boundaries of the enlarged portion and form no part of the claimed design.

1 Claim, 10 Drawing Sheets



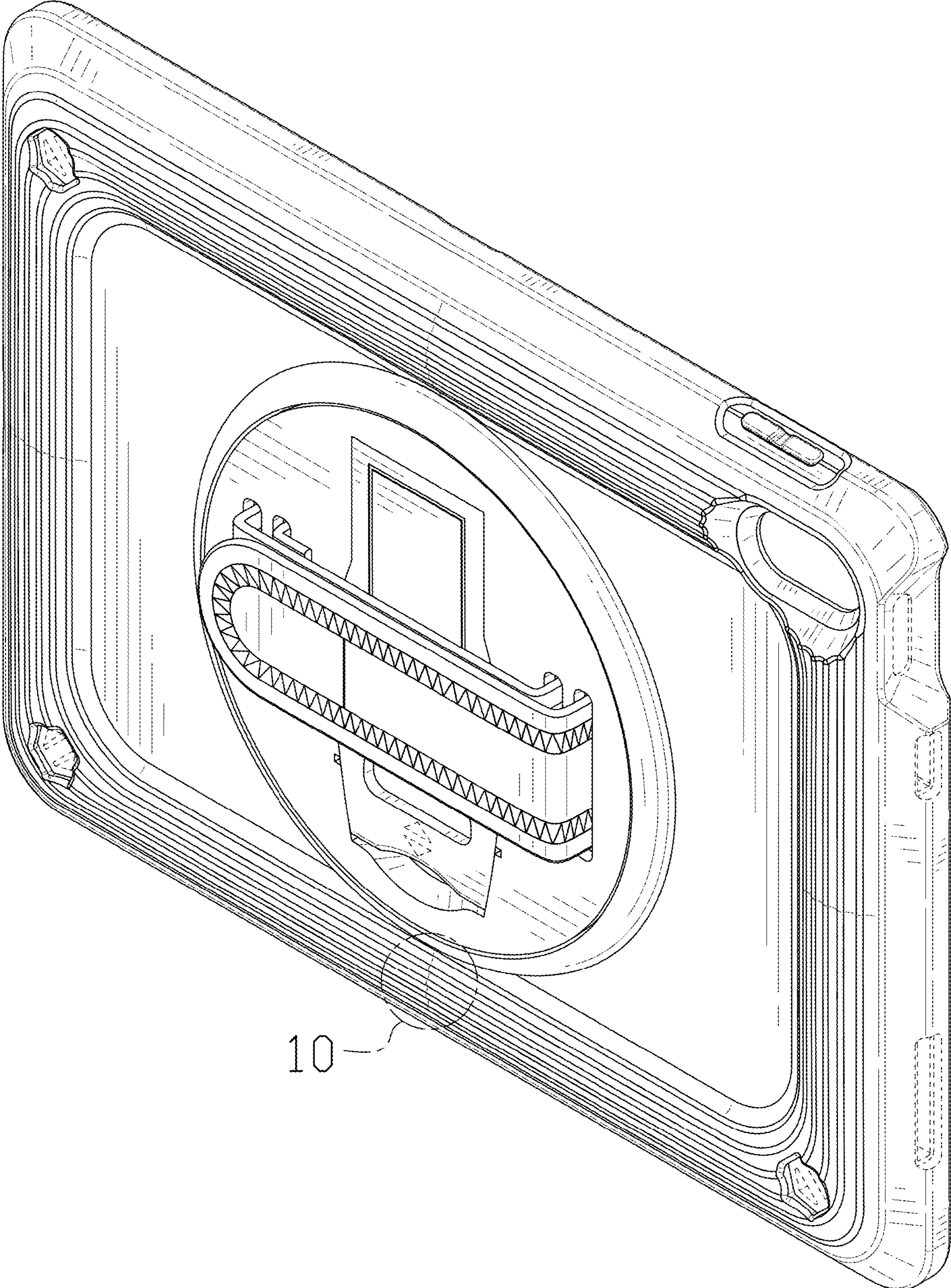
(56)

References Cited

U.S. PATENT DOCUMENTS

D967,829 S * 10/2022 Lin D14/440
D967,830 S * 10/2022 Cheng D14/440
D967,831 S * 10/2022 Zeng D14/440
D970,510 S * 11/2022 Cheng D14/440
2010/0123062 A1* 5/2010 Jones F16M 11/16
248/220.21
2012/0104185 A1* 5/2012 Carroll F16M 11/041
248/145.6
2015/0009610 A1* 1/2015 London G06F 1/163
16/408
2017/0196327 A1* 7/2017 Ma H01R 24/62

* cited by examiner



10

FIG. 1

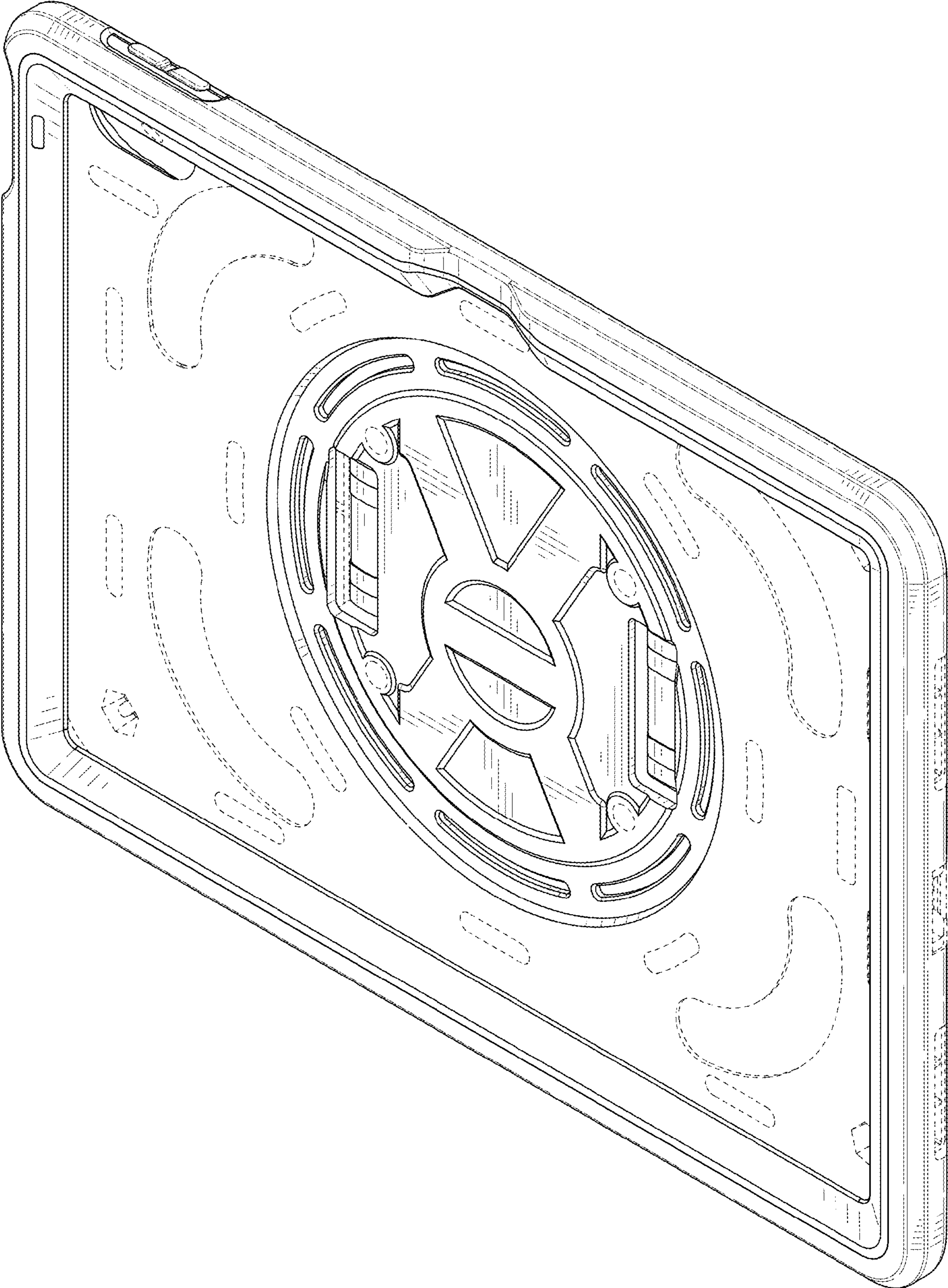


FIG. 2

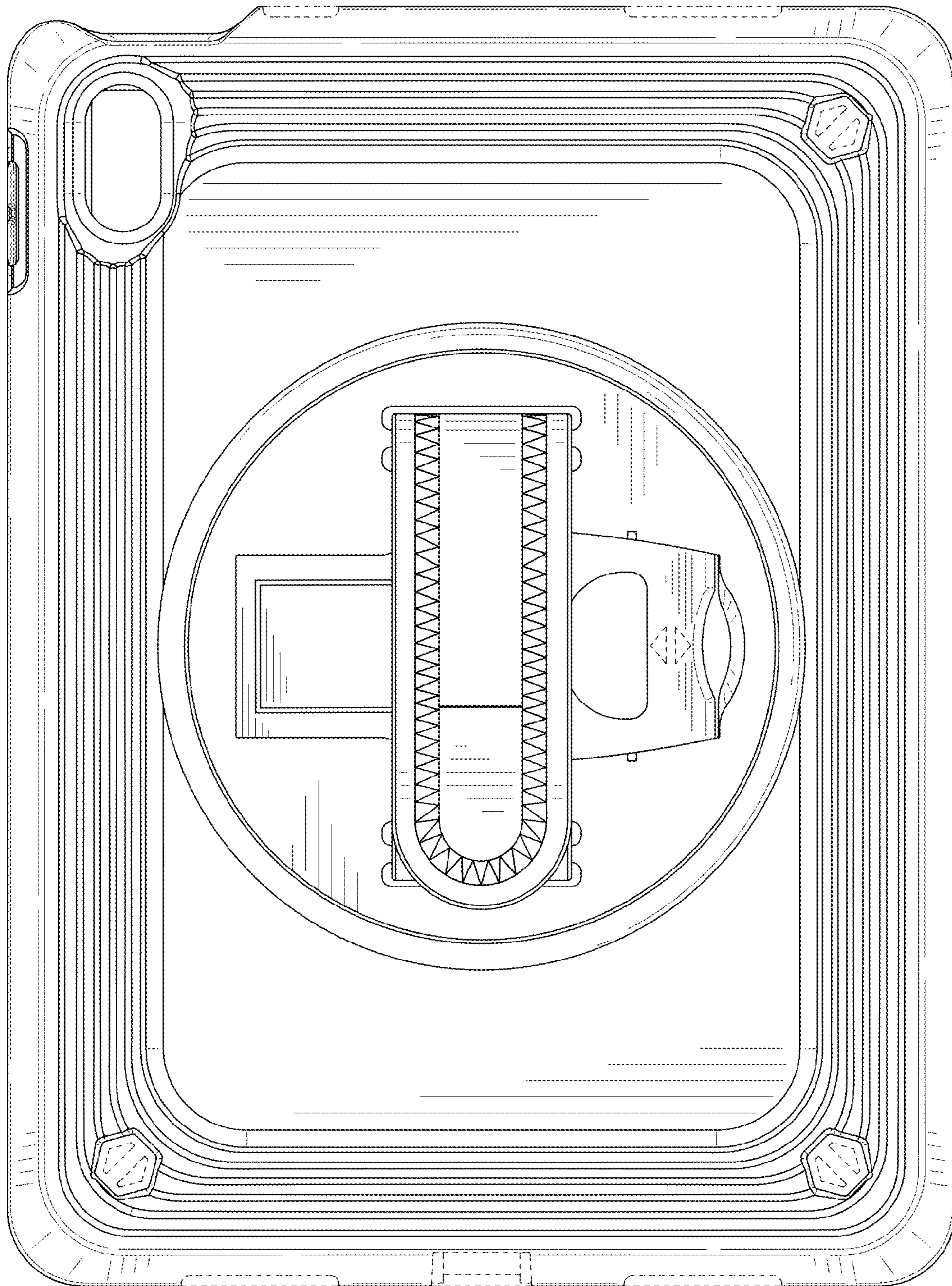


FIG. 3

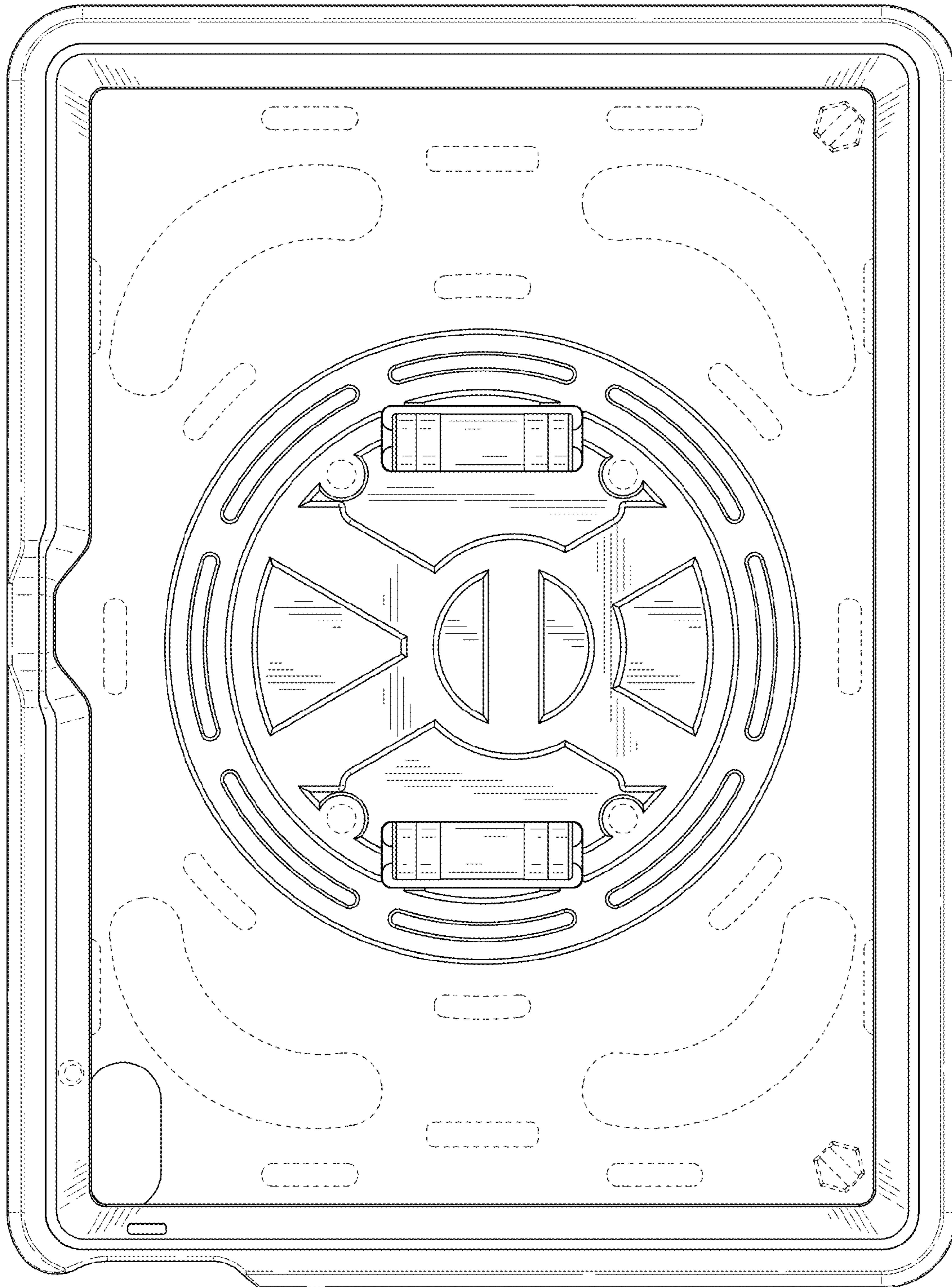


FIG. 4

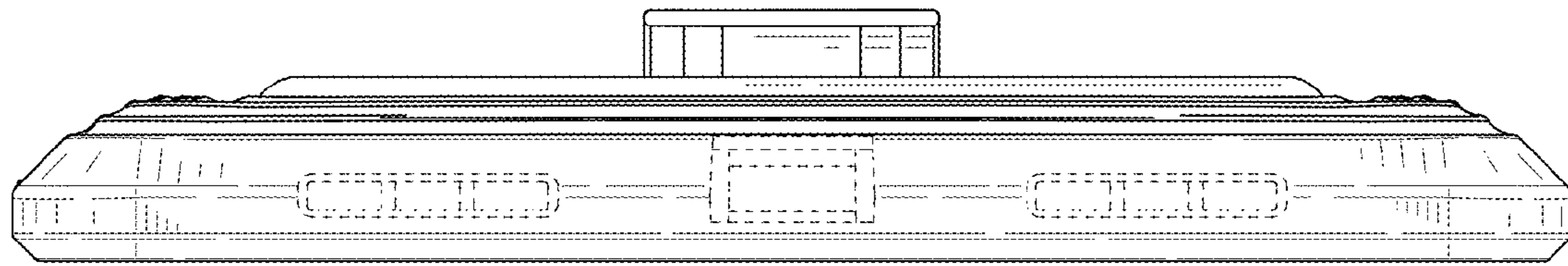


FIG. 5

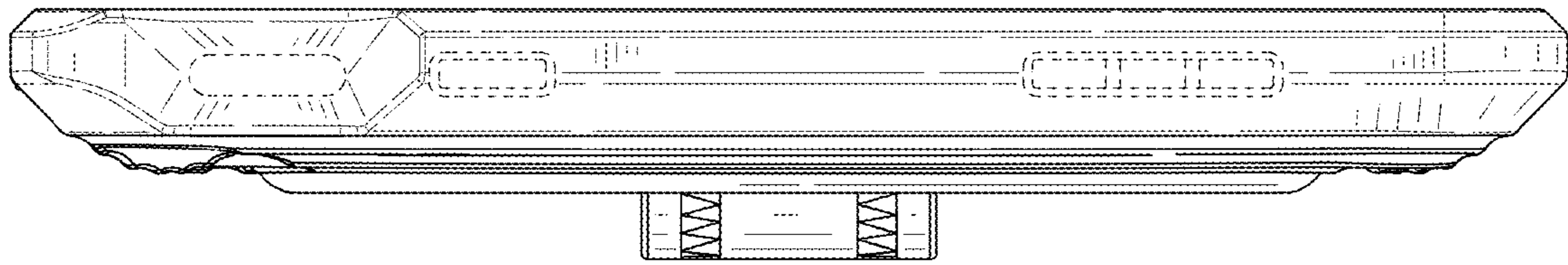


FIG. 6

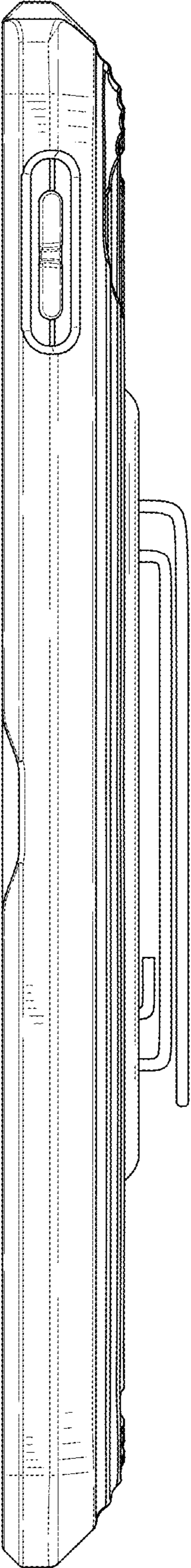


FIG. 7

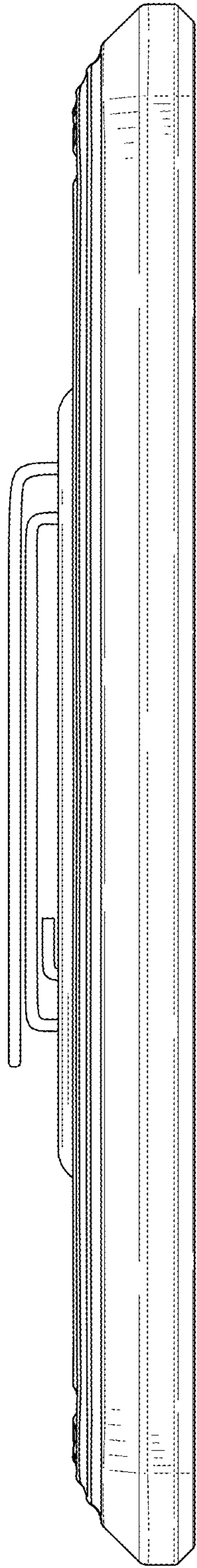


FIG. 8

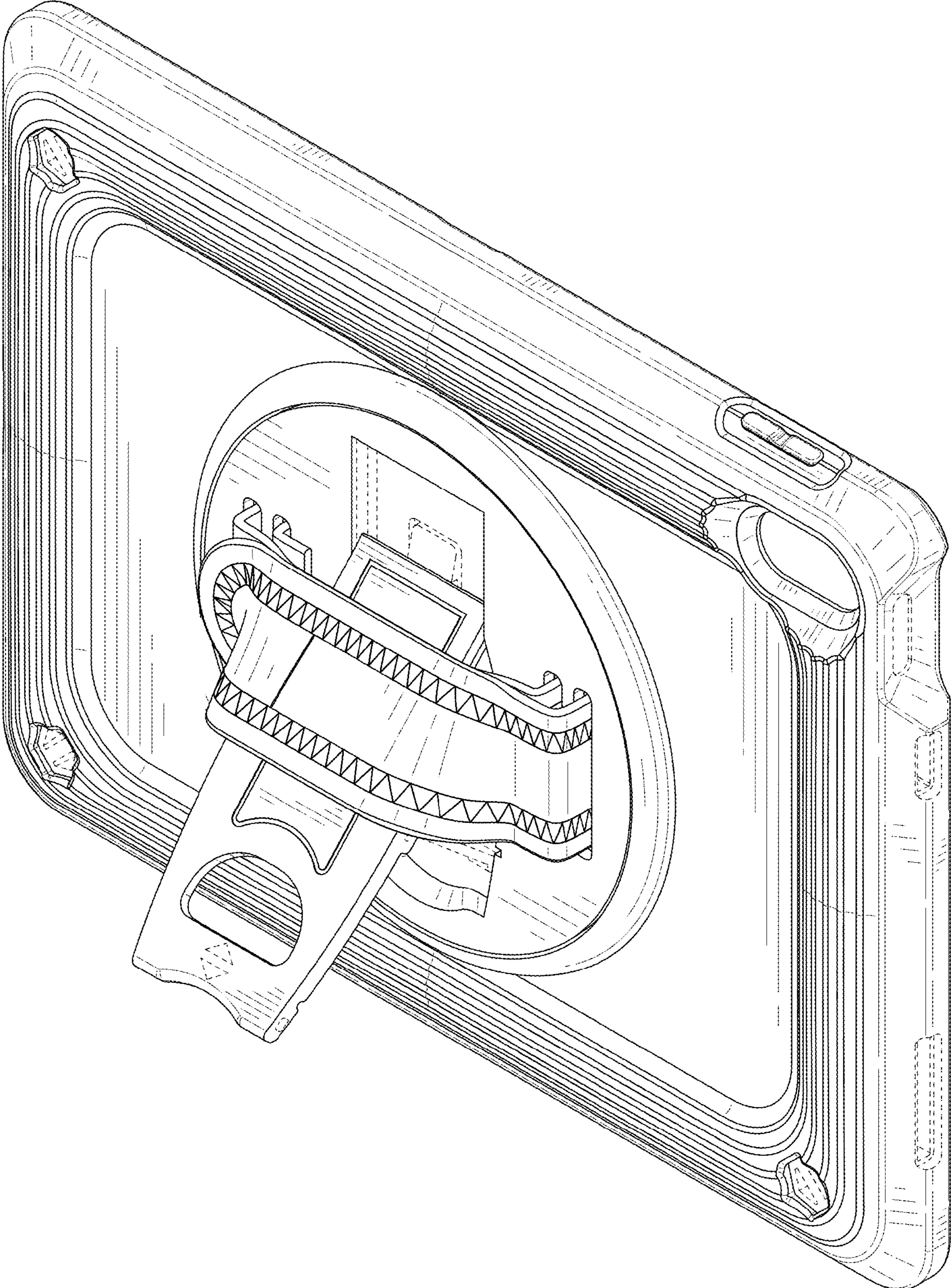


FIG. 9

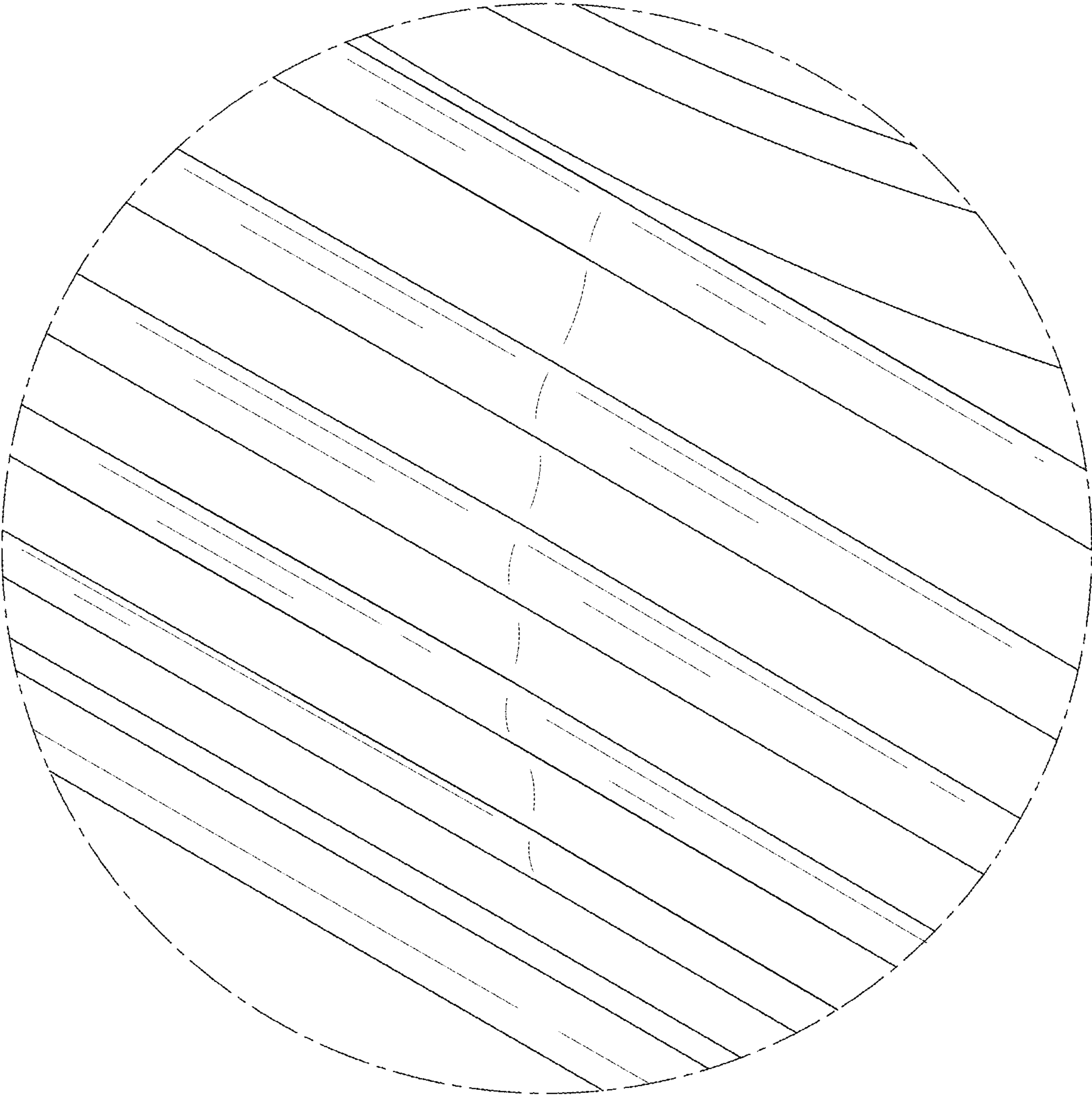


FIG. 10