



US00D984999S

(12) **United States Design Patent** (10) **Patent No.:** **US D984,999 S**
Li (45) **Date of Patent:** **** May 2, 2023**

(54) **TABLET CASE**

D910,644 S * 2/2021 Li D14/440
D921,637 S * 6/2021 Cheng D14/440
D932,480 S * 10/2021 Tsai D14/250

(71) Applicant: **SHENZHEN BAISHANCHUAN TECHNOLOGY CO., LTD**, Shenzhen (CN)

(Continued)

(72) Inventor: **Jinxiong Li**, Shenzhen (CN)

OTHER PUBLICATIONS

(73) Assignee: **SHENZHEN BAISHANCHUAN TECHNOLOGY CO., LTD**, Shenzhen (CN)

TiMOVO Case, first available Aug. 17, 2020, Amazon, site visited Oct. 13, 2022: <https://www.amazon.com/TiMOVO-Generation-10-9-inch-Rotating-Charging/dp/B08G1BSQZ7> (Year: 2020).*

(Continued)

(**) Term: **15 Years**

Primary Examiner — Leanne Was-Englehart
Assistant Examiner — Alison Davis

(21) Appl. No.: **29/735,410**

(57) **CLAIM**

(22) Filed: **May 20, 2020**

The ornamental design for a tablet case, as shown and described.

(51) **LOC (14) Cl.** **14-02**

DESCRIPTION

(52) **U.S. Cl.**

USPC **D14/440**

(58) **Field of Classification Search**

USPC D14/440, 447, 250, 251, 252, 341, 424, D14/425, 444–446, 496, 138 AA, D14/138 AD, 138 G, 203.1–203.3, 203.7, D14/203.8, 203.4, 345; D3/218, 249
CPC G06F 1/1628; G06F 1/1626; G06F 1/1669; G06F 1/1656; G06F 1/1637; G06F 1/1635; G06F 1/1613; G06F 1/1633; G06F 1/1601; H04B 1/3888; A47B 23/044; A45C 11/00; A45C 2011/002; A45C 2011/003; A45C 13/002; H05K 5/0217; H05K 5/023; H05K 5/0234; Y10T 29/49995

See application file for complete search history.

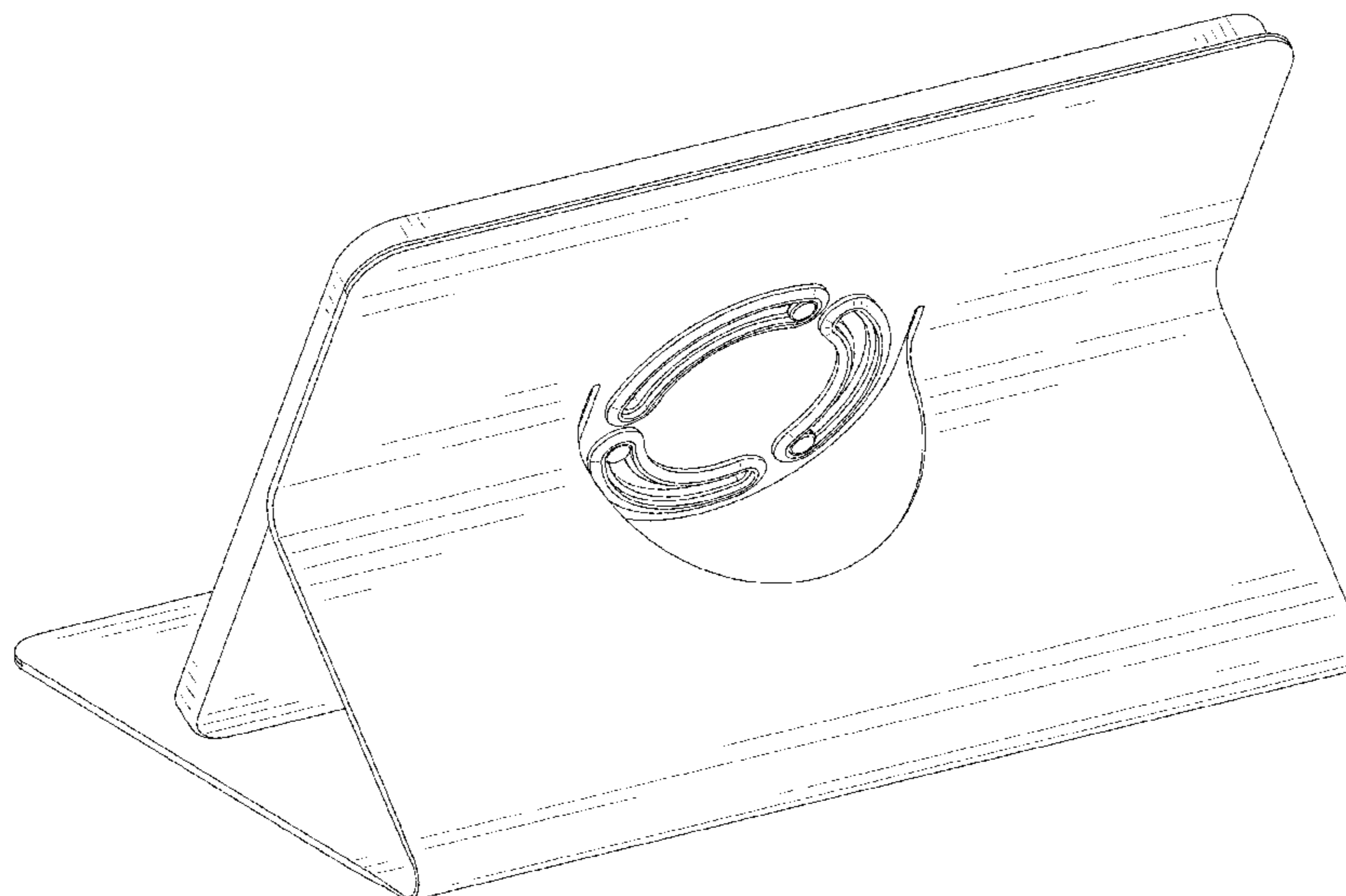
FIG. 1 is a perspective view of the tablet case showing my new design;
FIG. 2 is another perspective view thereof;
FIG. 3 is a front elevational view thereof;
FIG. 4 is a rear elevational view thereof;
FIG. 5 is a left side elevational view thereof;
FIG. 6 is a right side elevational view thereof;
FIG. 7 is a top plan view thereof;
FIG. 8 is a bottom plan view thereof;
FIG. 9 is a perspective view of the tablet case where the tablet case is in a first configuration of use;
FIG. 10 is a perspective view of the tablet case where the tablet case is in a second configuration of use;
FIG. 11 is an enlarged view of portion 11 shown in FIG. 1; and,
FIG. 12 is an enlarged view of portion 12 shown in FIG. 2. The evenly spaced dashed broken lines depict portions of the tablet case that form no part of the claimed design. The dot-dash line circles depict the limits of the enlarged views and form no part of the claimed design.

(56) **References Cited**

U.S. PATENT DOCUMENTS

D724,092 S * 3/2015 Zangari D14/440
9,496,102 B2 * 11/2016 Bates H01H 13/86
D895,629 S * 9/2020 Li D14/440
D910,643 S * 2/2021 Li D14/440

1 Claim, 12 Drawing Sheets



(56)

References Cited

U.S. PATENT DOCUMENTS

D934,228 S * 10/2021 Patterson D14/447
D949,867 S * 4/2022 Wu D14/440
D965,600 S * 10/2022 Li D14/440
2014/0291175 A1* 10/2014 Chung G06F 1/1656
206/45.23
2015/0212588 A1* 7/2015 Fujioka G06F 3/0219
345/168
2015/0237979 A1* 8/2015 Huang A45C 11/00
206/45.25

OTHER PUBLICATIONS

MoKo Case, first available Aug. 19, 2020, Amazon, site visited Oct. 13, 2022: <https://www.amazon.com/MoKo-Compatible-Full-Body-Rotating-Adjustable/dp/B08G81X54B> (Year: 2020).*

MoKo Case, May 11, 2021, Amazon, site visited Oct. 5, 2022: [https://www.amazon.com/MoKo-All-New-Tablet\(Only-Generation-Rotating/dp/B094NB7CRV/](https://www.amazon.com/MoKo-All-New-Tablet(Only-Generation-Rotating/dp/B094NB7CRV/) (Year: 2021).*

* cited by examiner

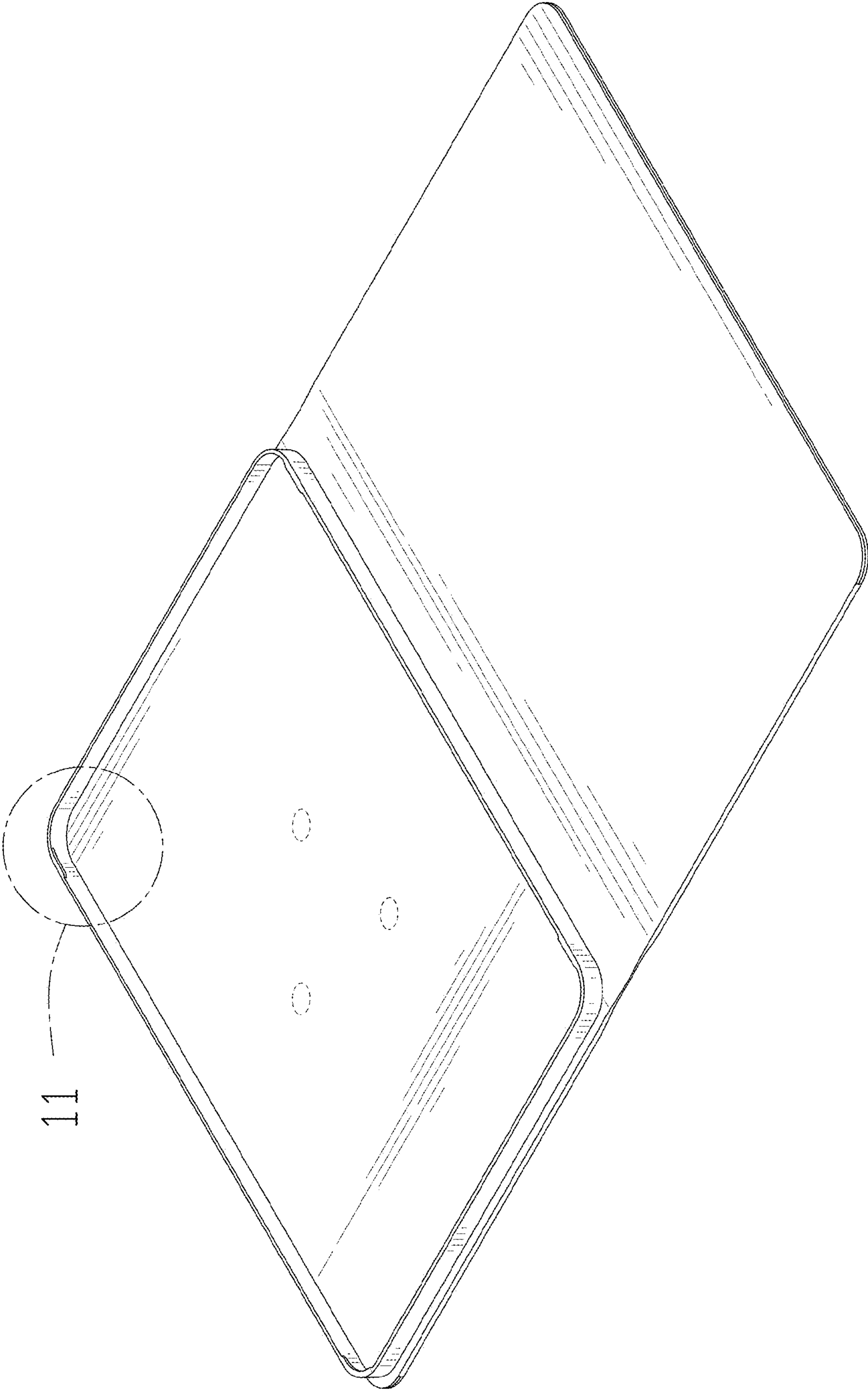


FIG. 1

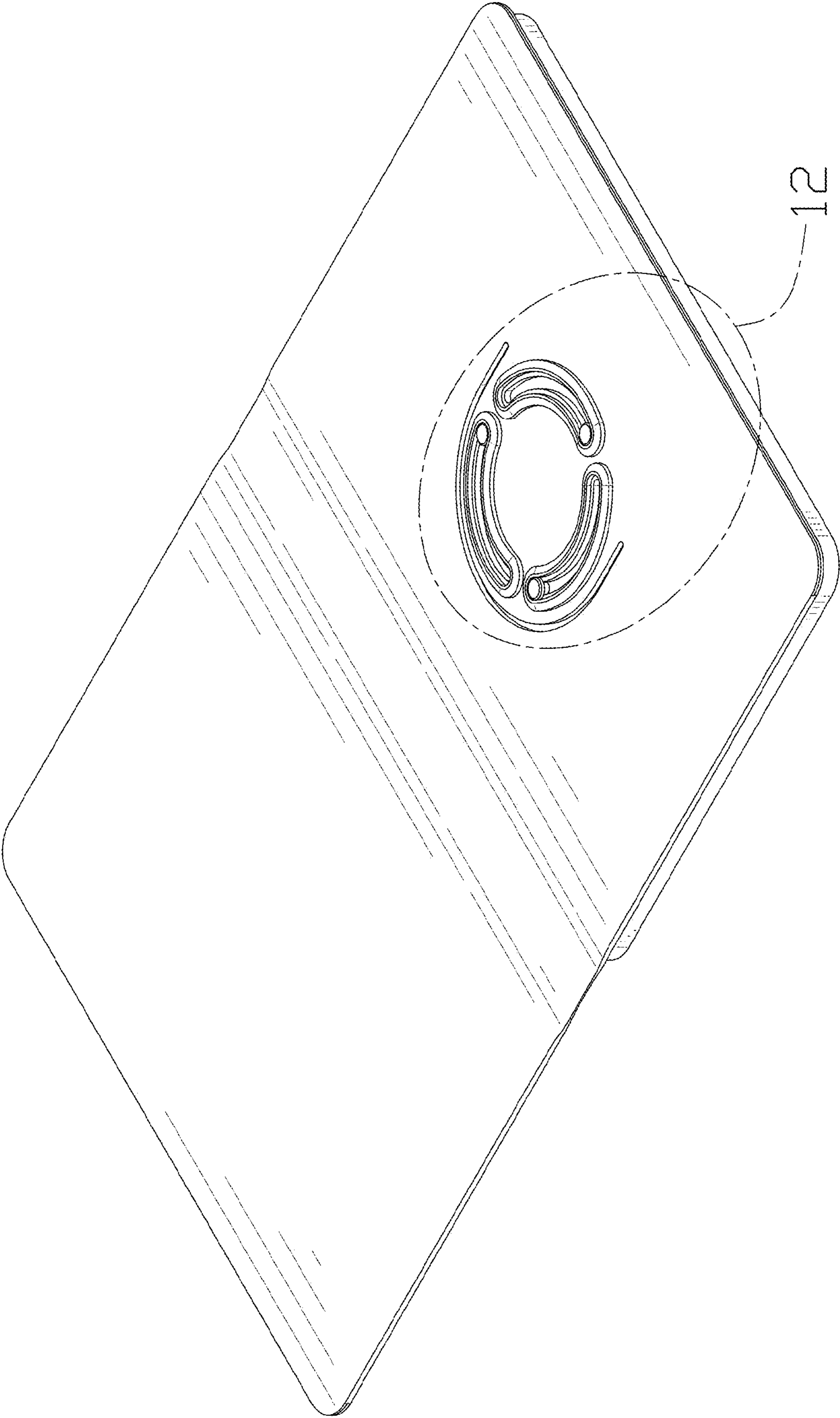


FIG. 2

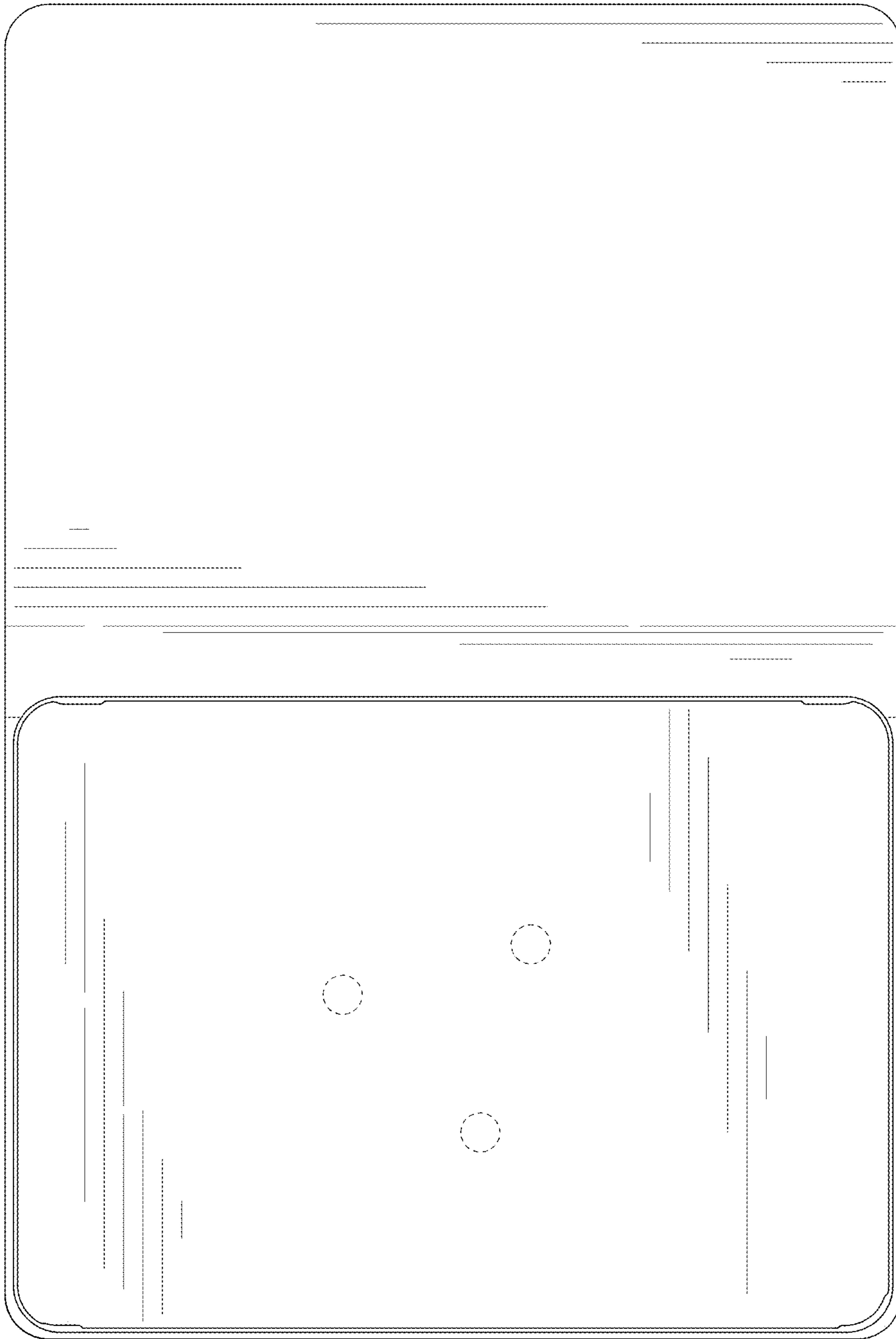


FIG. 3

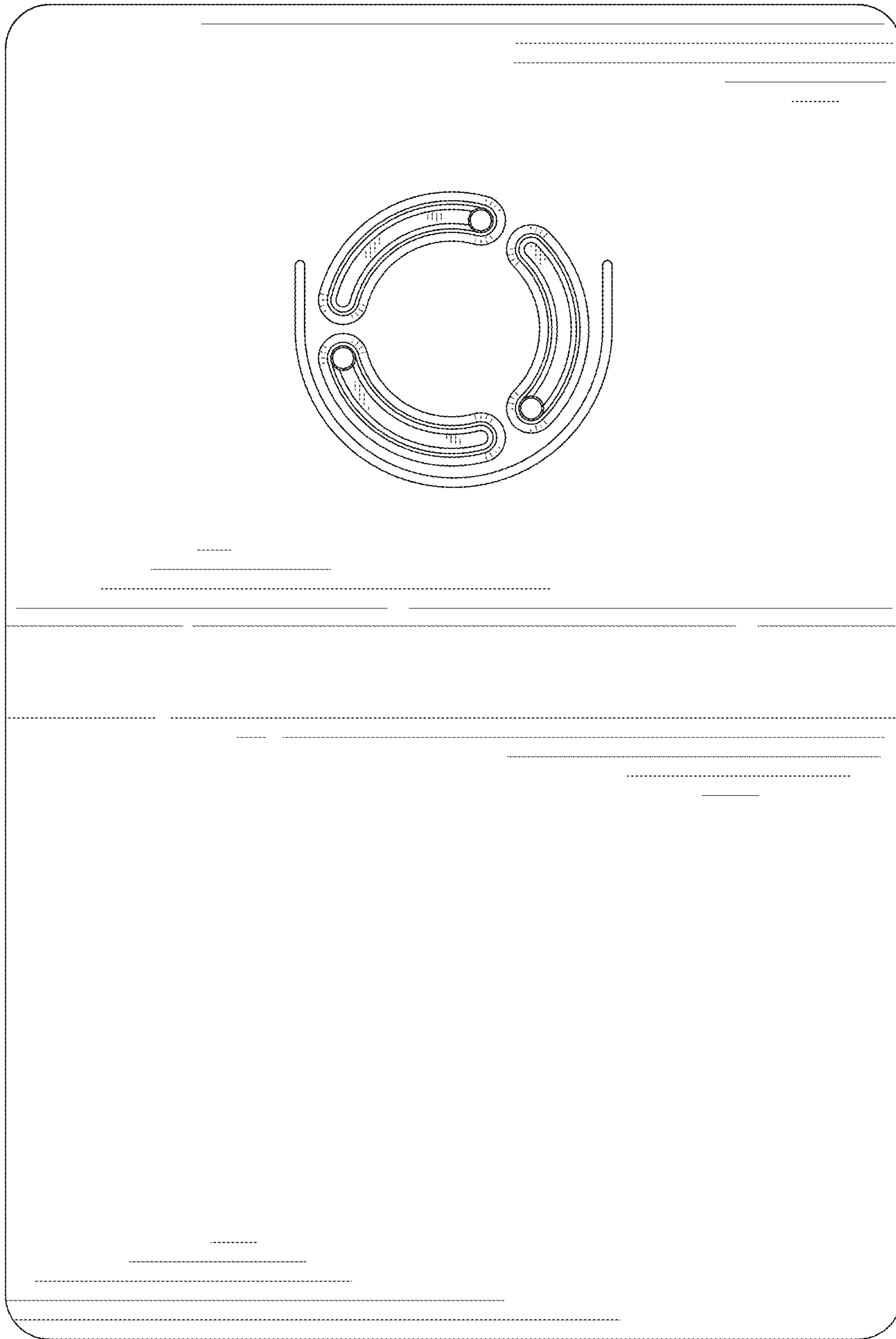


FIG. 4

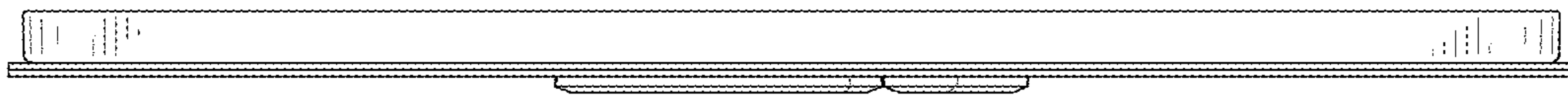


FIG. 5



FIG. 6

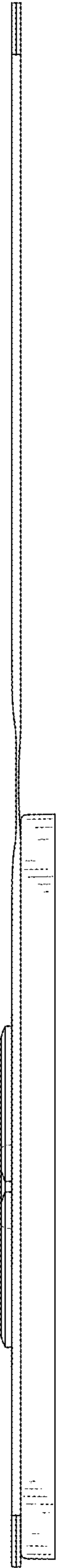


FIG. 7

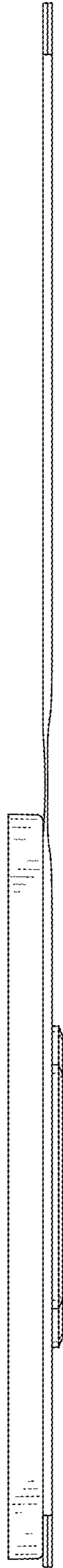


FIG. 8

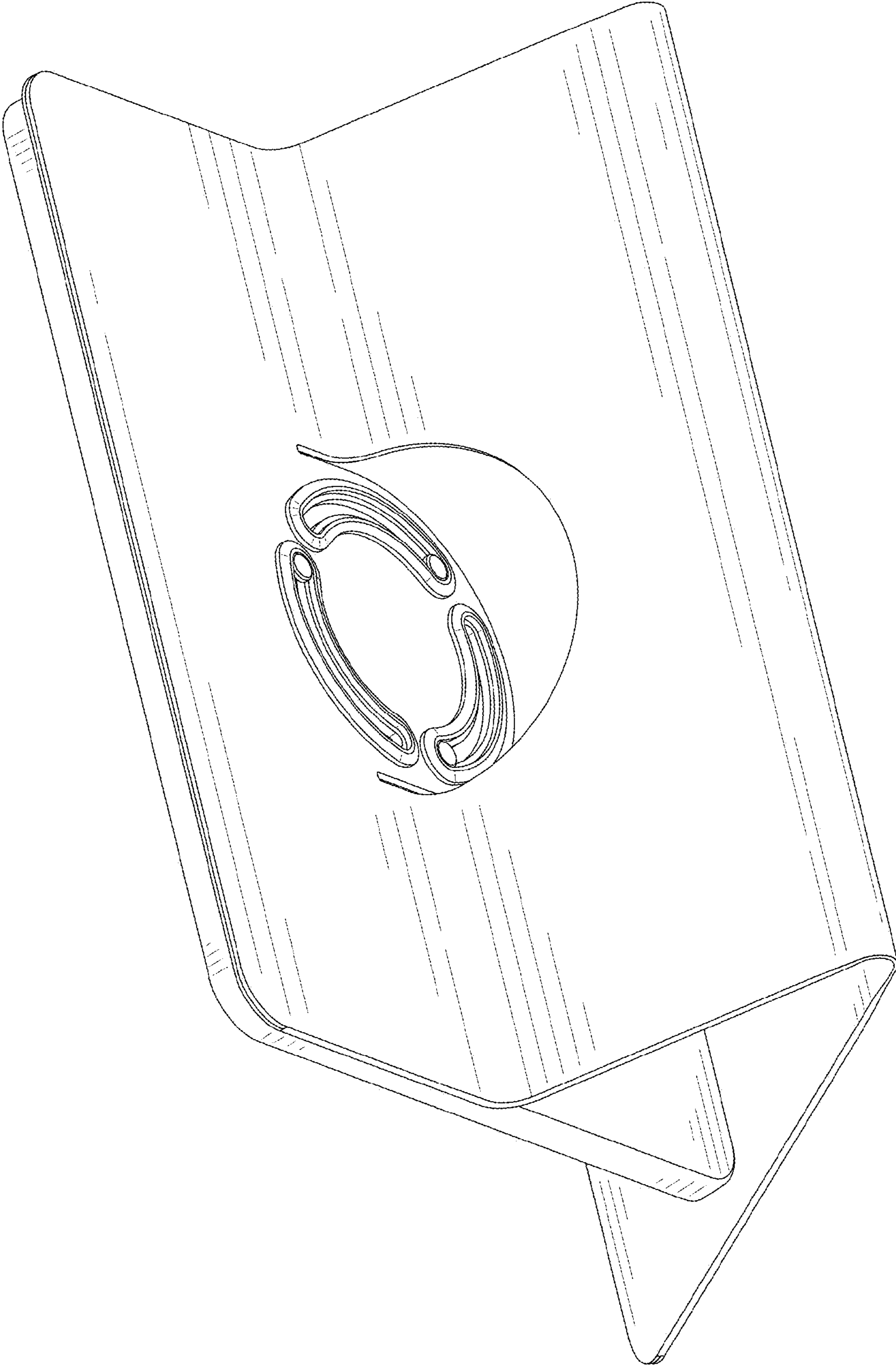


FIG. 9

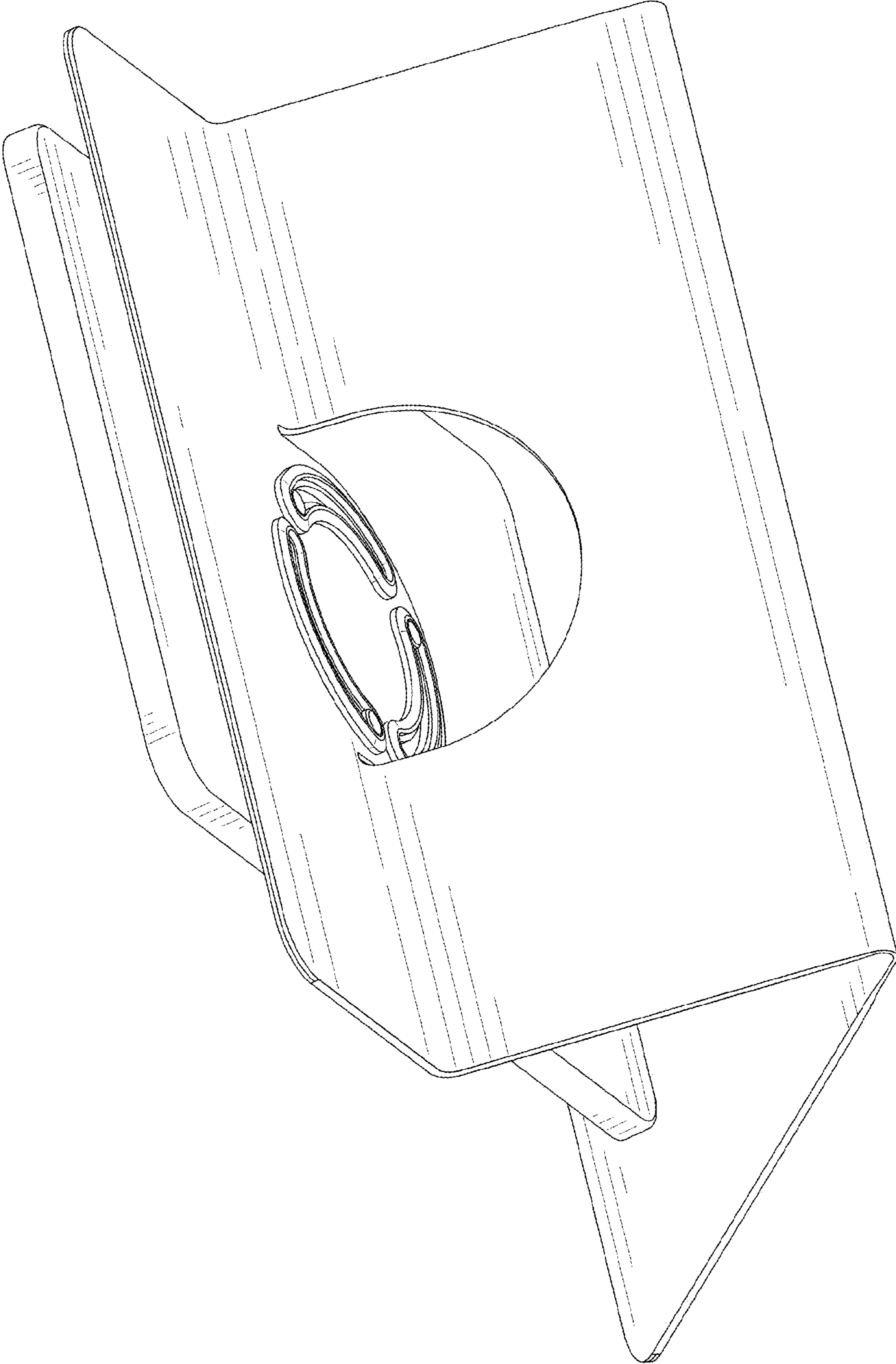


FIG. 10

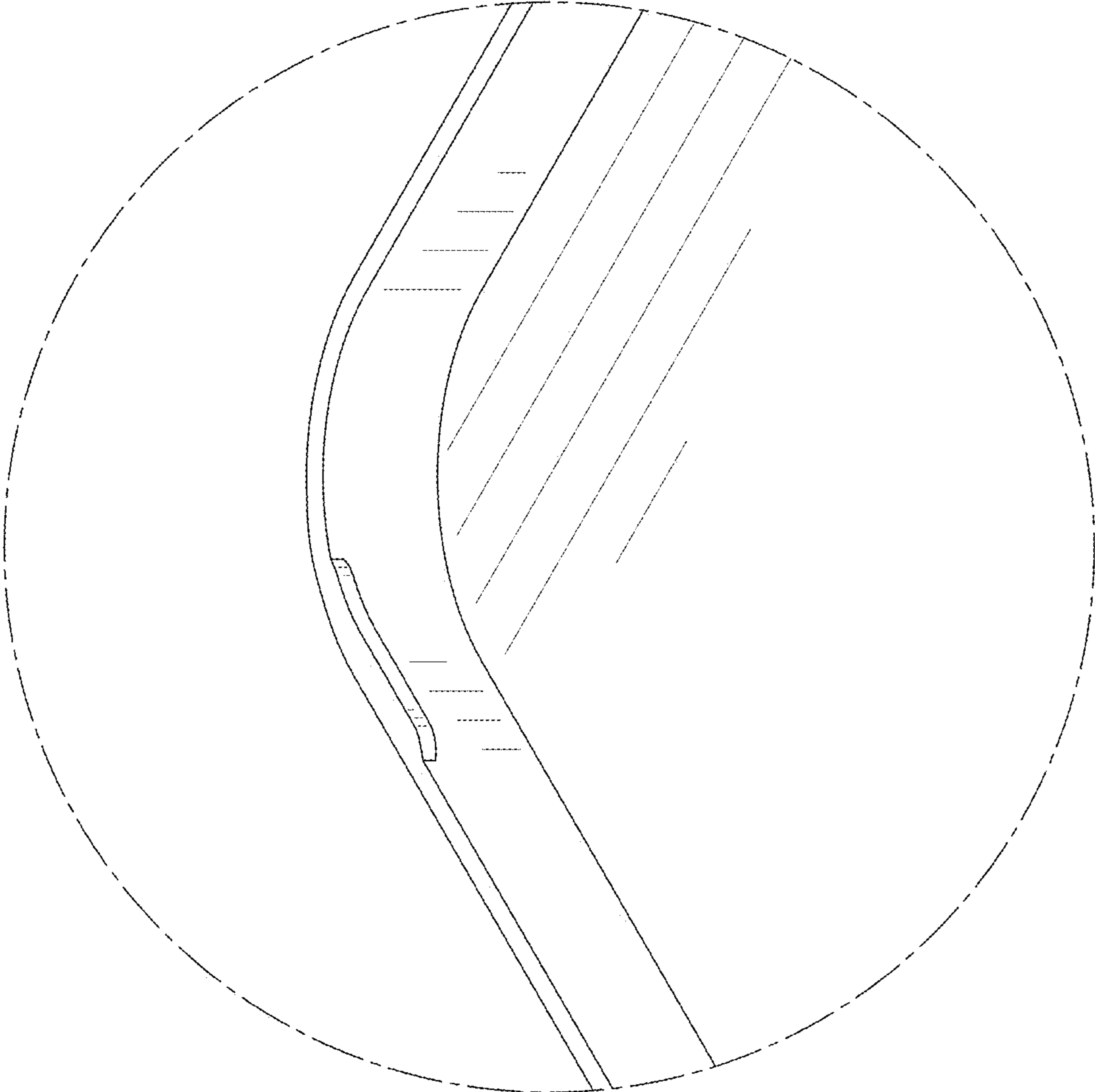


FIG. 11

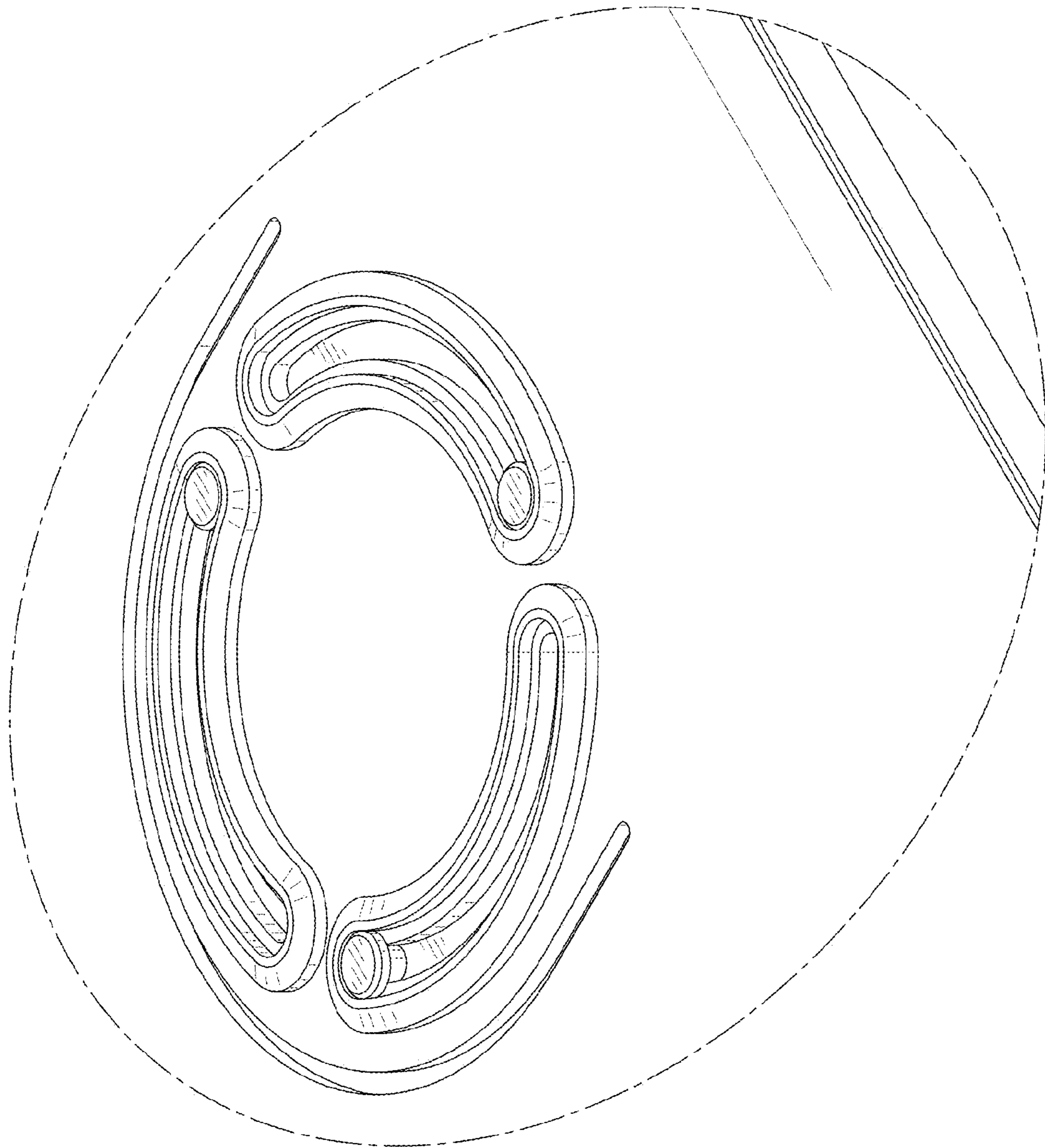


FIG. 12