



US00D984998S

(12) **United States Design Patent**
Zhu

(10) **Patent No.:** **US D984,998 S**
(45) **Date of Patent:** **** May 2, 2023**

(54) **GAMEBOARD**

(71) Applicant: **Shenzhen Wuxiandian Technology Co., Ltd.**

(72) Inventor: **Weiwei Zhu**, Shenzhen (CN)

(73) Assignee: **Shenzhen Wuxiandian Technology Co., Ltd.**, Shenzhen (CN)

(**) Term: **15 Years**

(21) Appl. No.: **29/795,089**

(22) Filed: **Jun. 16, 2021**

(51) **LOC (14) Cl.** **14-02**

(52) **U.S. Cl.**
USPC **D14/399; D14/400; D14/401**

(58) **Field of Classification Search**
USPC D14/138 AA, 138 AB, 138 AC, 138 AD, D14/138 C, 138 G, 203.1–203.8, 248, D14/315–318, 341–347, 371, 374, D14/389–399, 400–401, 405–410, D14/414–416, 421–430, 496; D6/308, D6/310; D10/50, 65, 104.1; D18/6–7; D19/26, 59–60; D21/324–332
CPC ... H04M 1/0202; H04M 1/0266; H04M 1/725
See application file for complete search history.

(56) **References Cited**

U.S. PATENT DOCUMENTS

D376,180 S	12/1996	Takahata et al.	
D397,368 S *	8/1998	Rissman	D21/329
D397,369 S *	8/1998	Rissman	D21/329
D412,017 S *	7/1999	Sramek	D21/329
D426,859 S *	6/2000	Smith	D21/330
D470,537 S	2/2003	Kinzer	
D478,589 S	8/2003	Hussaini et al.	

(Continued)

FOREIGN PATENT DOCUMENTS

CN	307077023	*	1/2022
CN	307255785	*	4/2022

OTHER PUBLICATIONS

Backlit 2.4GHz Mini Wireless Keyboard, date first available: Jan. 21, 2021, [retrieved Apr. 20, 2022], Retrieved from Internet, URL: <https://www.amazon.com/Backlit-Wireless-Keyboard-Touchpad-Rechargeable/dp/B08TM6132G/ref=pd_sbs_scc1_25/136-5019083-2417012?pd_rd_%E2%80%A6> (Year: 2021).*

(Continued)

Primary Examiner — Messina L Smith

Assistant Examiner — Aram Kwon

(57) **CLAIM**

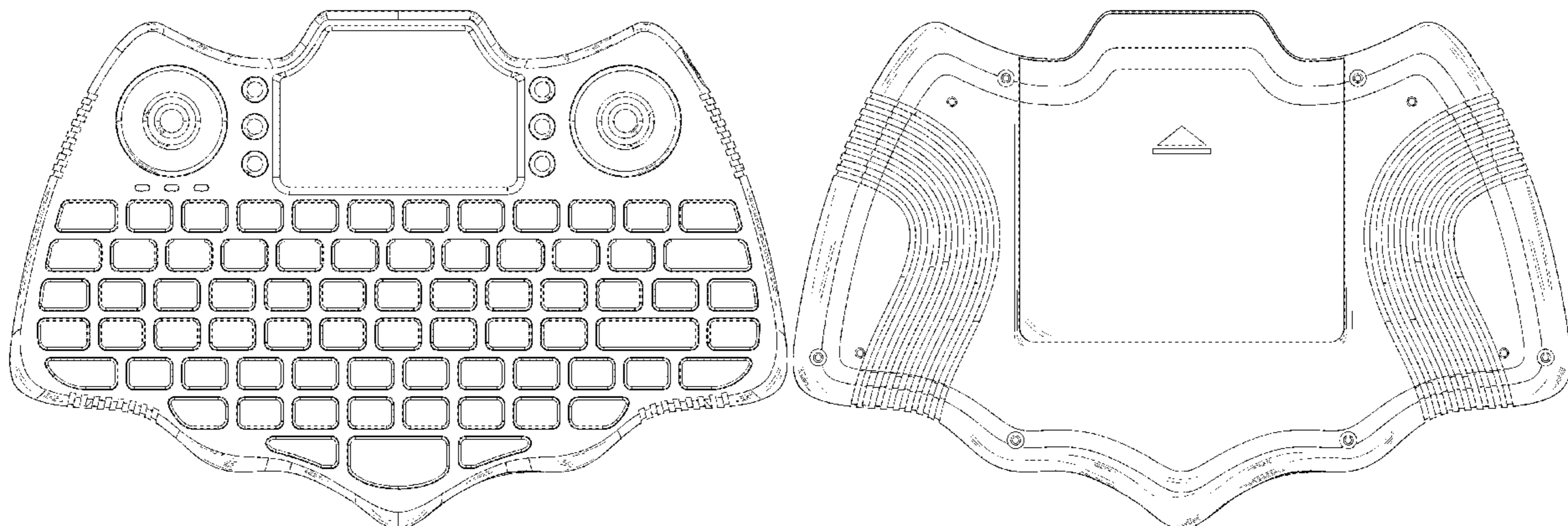
The ornamental design for a gameboard, as shown and described.

DESCRIPTION

FIG. 1 is a front elevation view of a gameboard showing my new design;
FIG. 2 is a back elevation view thereof;
FIG. 3 is a left-side view thereof;
FIG. 4 is a right-side view thereof;
FIG. 5 is a top plan view thereof;
FIG. 6 is a bottom plan view thereof;
FIG. 7 is a top right perspective view thereof; and
FIG. 8 is a bottom left perspective view thereof.
FIG. 9 is a close-up view of an encircled portion of the gameboard labeled 9 in FIG. 3; and,
FIG. 10 is a close-up view of an encircled portion of the gameboard labeled 10 in FIG. 5.

The broken lines with uniform dashes in the drawings depict portions of the gameboard that form no part of the claimed design. The broken lines with dashes of two different lengths in the drawings encircling portions of the gameboard in FIGS. 3 and 5 and illustrated in enlargements in FIGS. 9 and 10 form no part of the claimed design.

1 Claim, 10 Drawing Sheets



(56)

References Cited

U.S. PATENT DOCUMENTS

D478,590 S 8/2003 Hussaini et al.
 D484,878 S * 1/2004 Wightman D14/346
 D486,488 S 2/2004 Olodort et al.
 D490,421 S * 5/2004 Everett D14/342
 D524,812 S 7/2006 Hussaini et al.
 D553,619 S 10/2007 Mak et al.
 D615,977 S * 5/2010 Sogabe D14/455
 D615,978 S * 5/2010 Sogabe D14/455
 D623,649 S 9/2010 Claussen
 D672,360 S 12/2012 Lee et al.
 D678,279 S 3/2013 U-Ping
 D689,059 S 9/2013 Tak et al.
 D695,840 S 12/2013 Dobos
 D729,245 S * 5/2015 Pang D14/398
 D729,802 S * 5/2015 Pang D14/398
 D752,689 S 3/2016 Rose et al.
 D760,844 S 7/2016 Phelan
 D793,392 S * 8/2017 Lai D14/398
 D795,257 S * 8/2017 Jiang D14/398

D803,216 S * 11/2017 Wu D14/398
 D803,834 S 11/2017 Bowers et al.
 D807,365 S 1/2018 Liu
 D838,272 S * 1/2019 Jiang D14/398
 D844,612 S * 4/2019 Pang D14/398
 D863,449 S 10/2019 Shoptaugh
 D890,768 S * 7/2020 Tu D14/455
 2009/0085778 A1 * 4/2009 Ikeda A63F 13/02
 341/22
 2009/0146958 A1 * 6/2009 Ikeda A63F 13/24
 345/169

OTHER PUBLICATIONS

Rii Mini Bluetooth Keyboard with Touchpad, date first available: May 20, 2016, [retrieved Apr. 20, 2022], Retrieved from Internet, URL: <<https://www.amazon.com/Rii-Bluetooth-Touchpad%EF%BC%86QWERTY-Smartphones-Raspberry/dp/B01FXDW2N6?th=1>> (Year: 2016).*

* cited by examiner

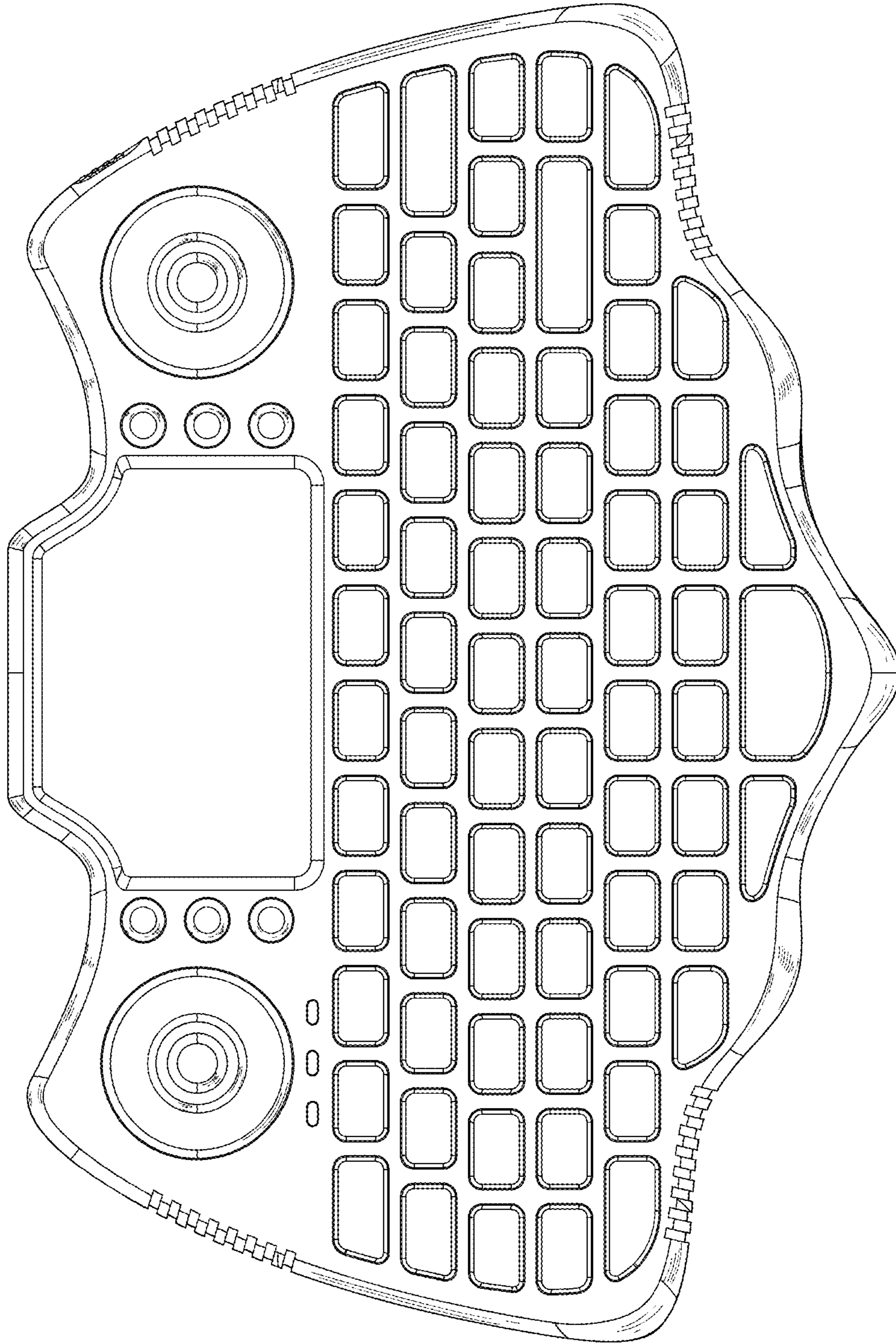


FIG. 1

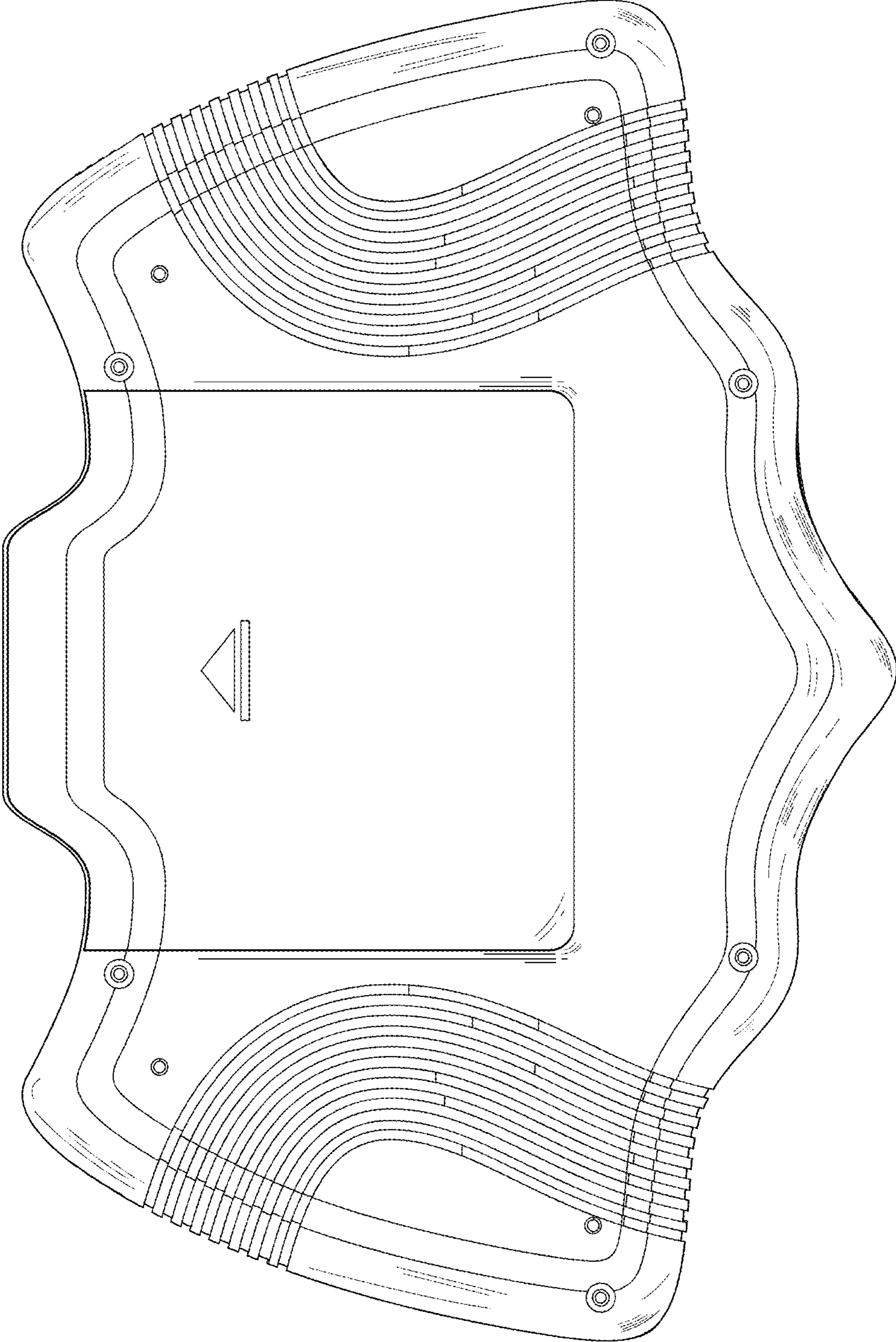


FIG. 2

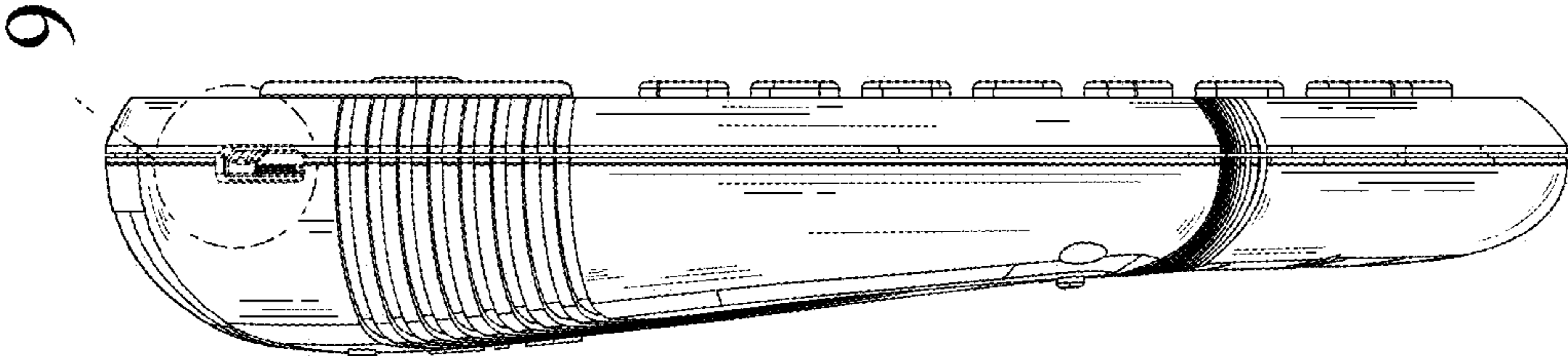


FIG. 3

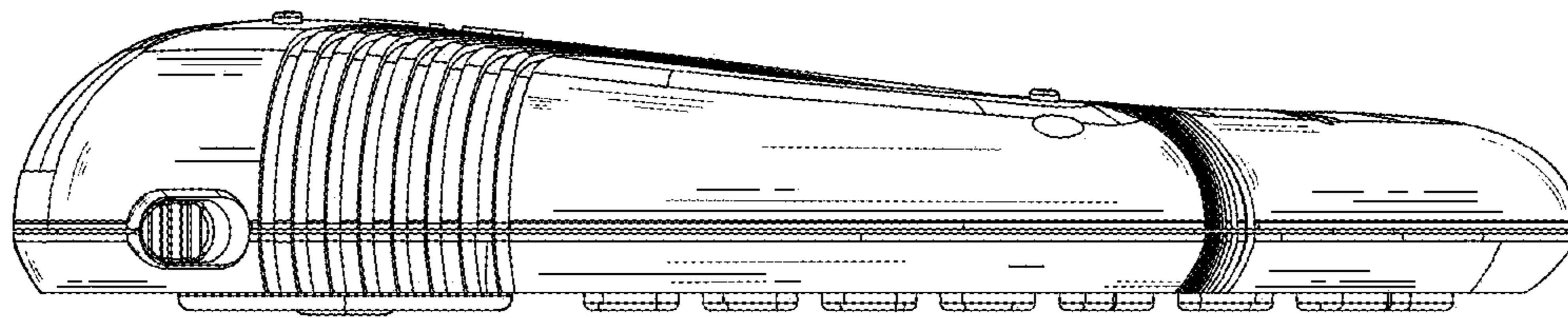
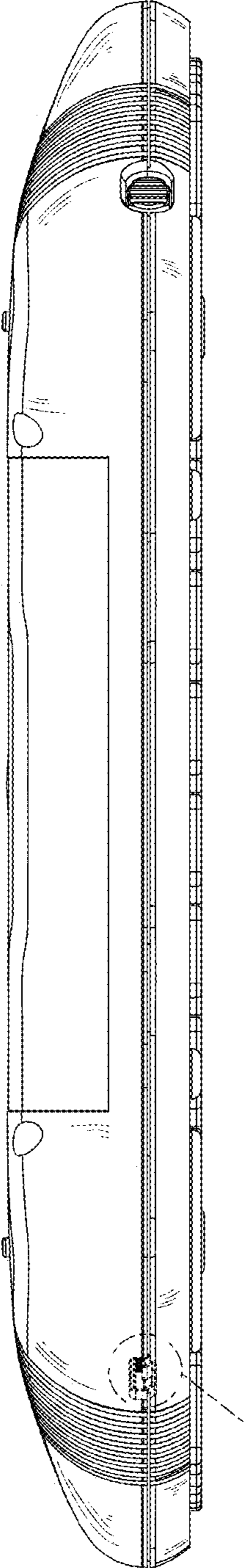


FIG. 4



10

FIG. 5

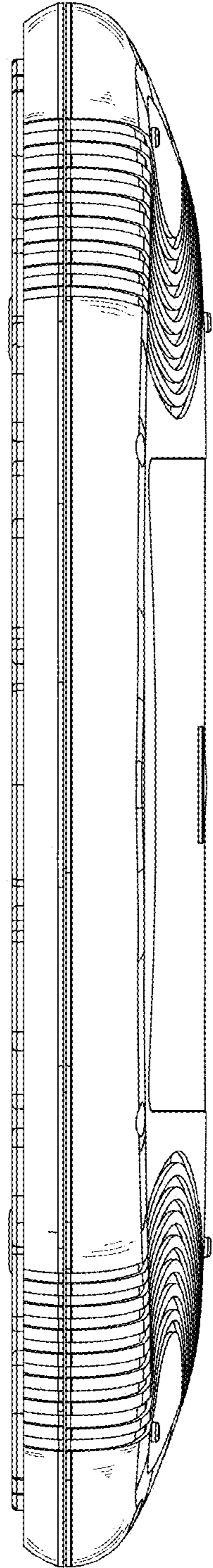


FIG. 6

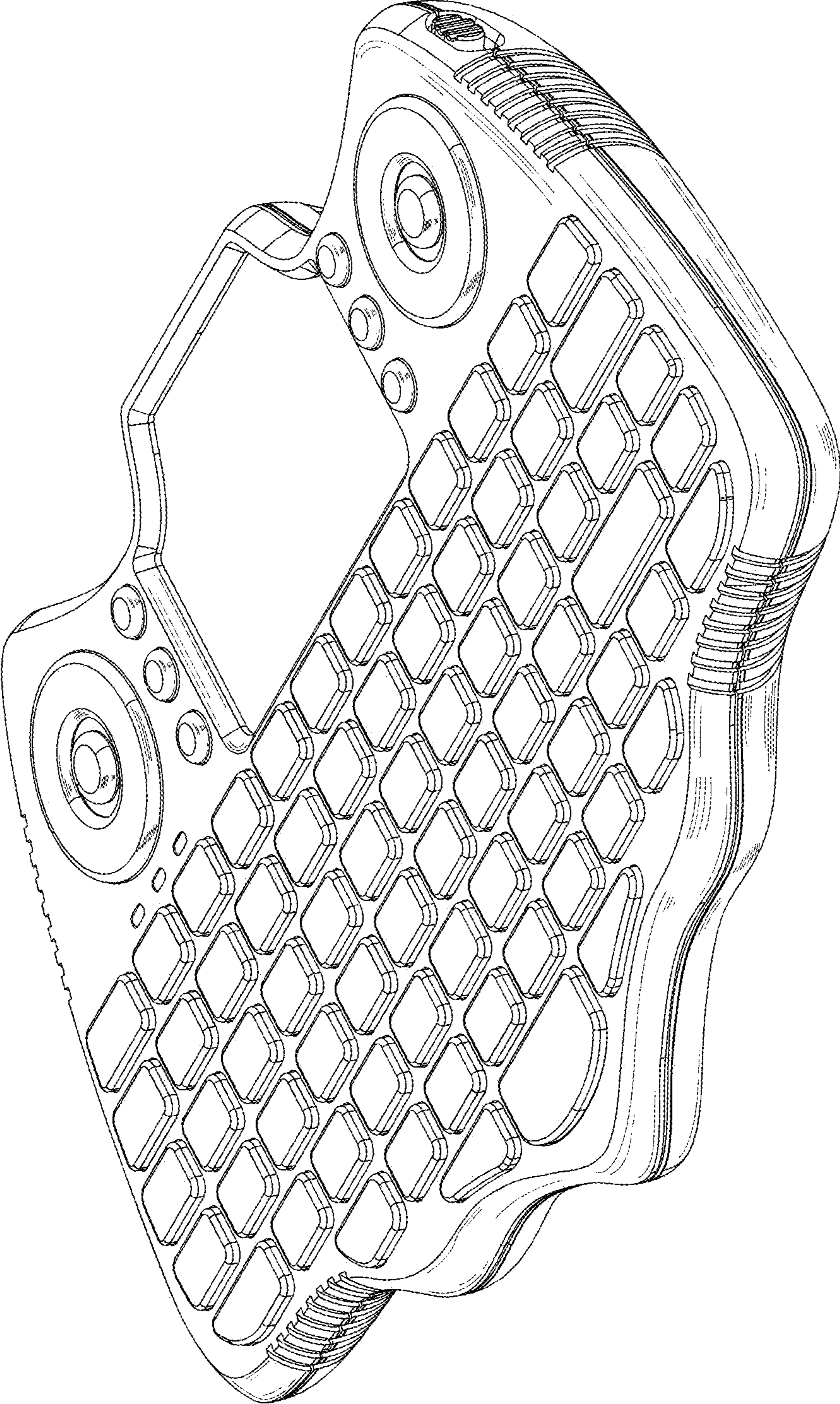


FIG. 7

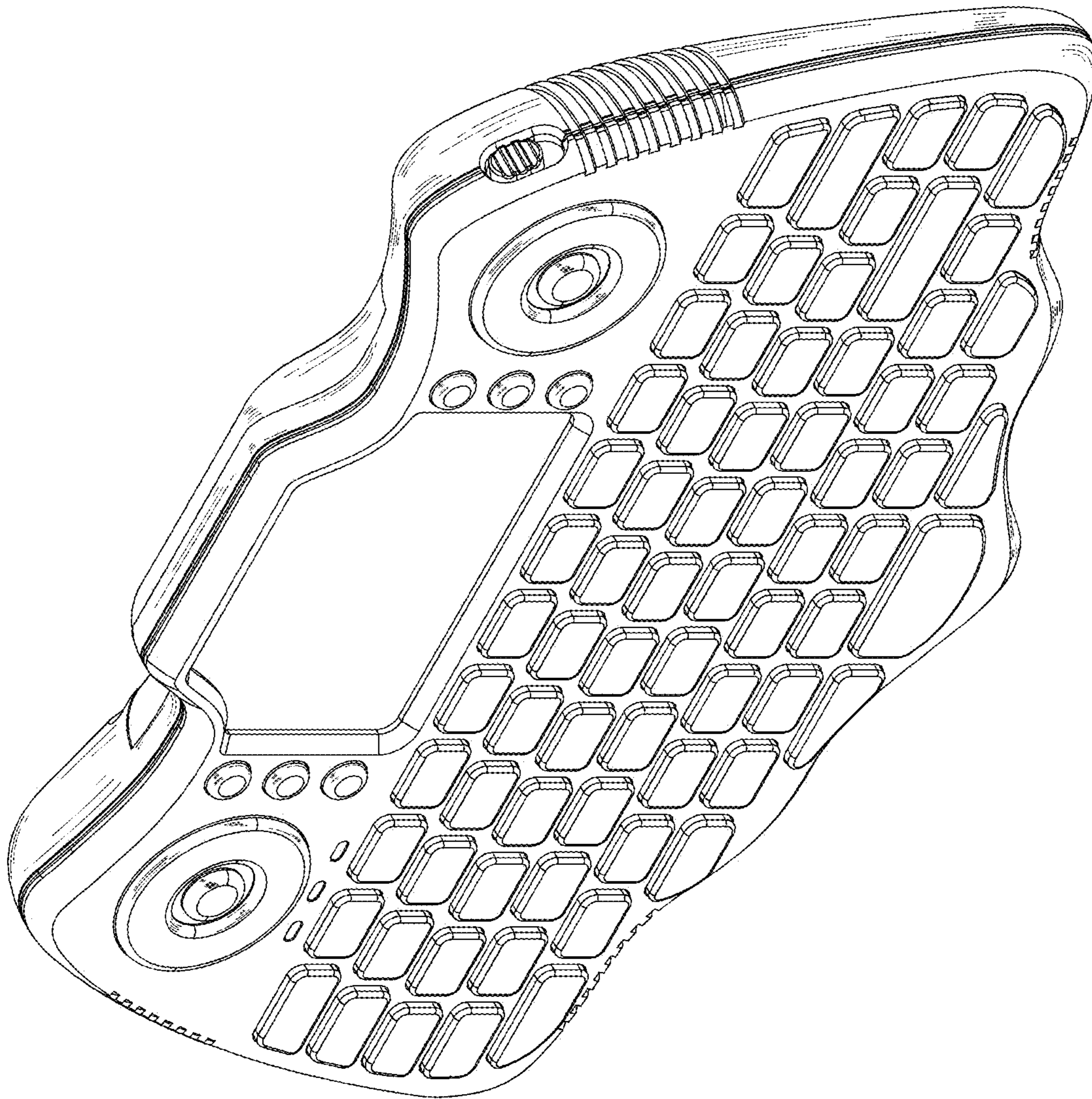


FIG. 8

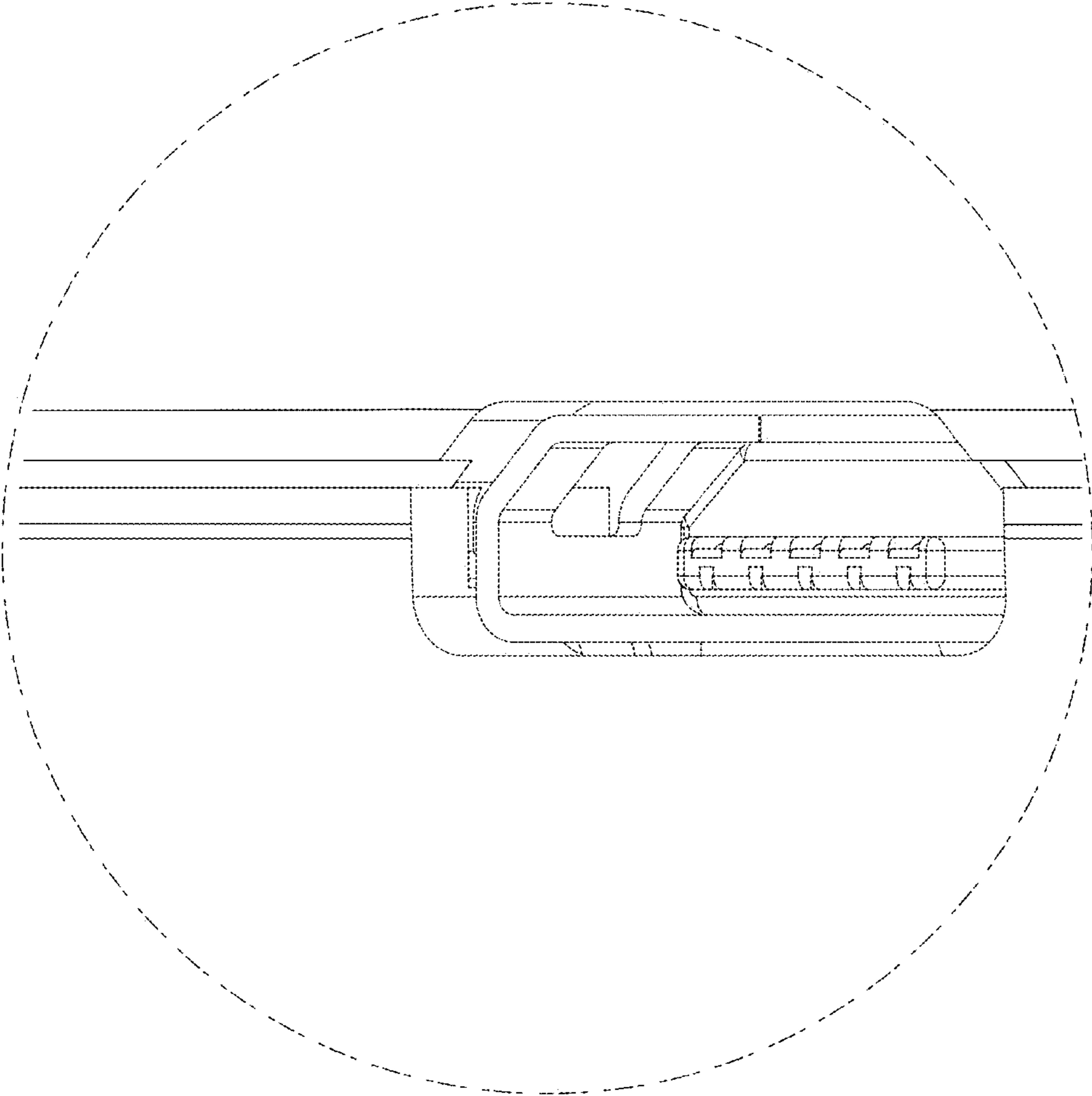


FIG. 9

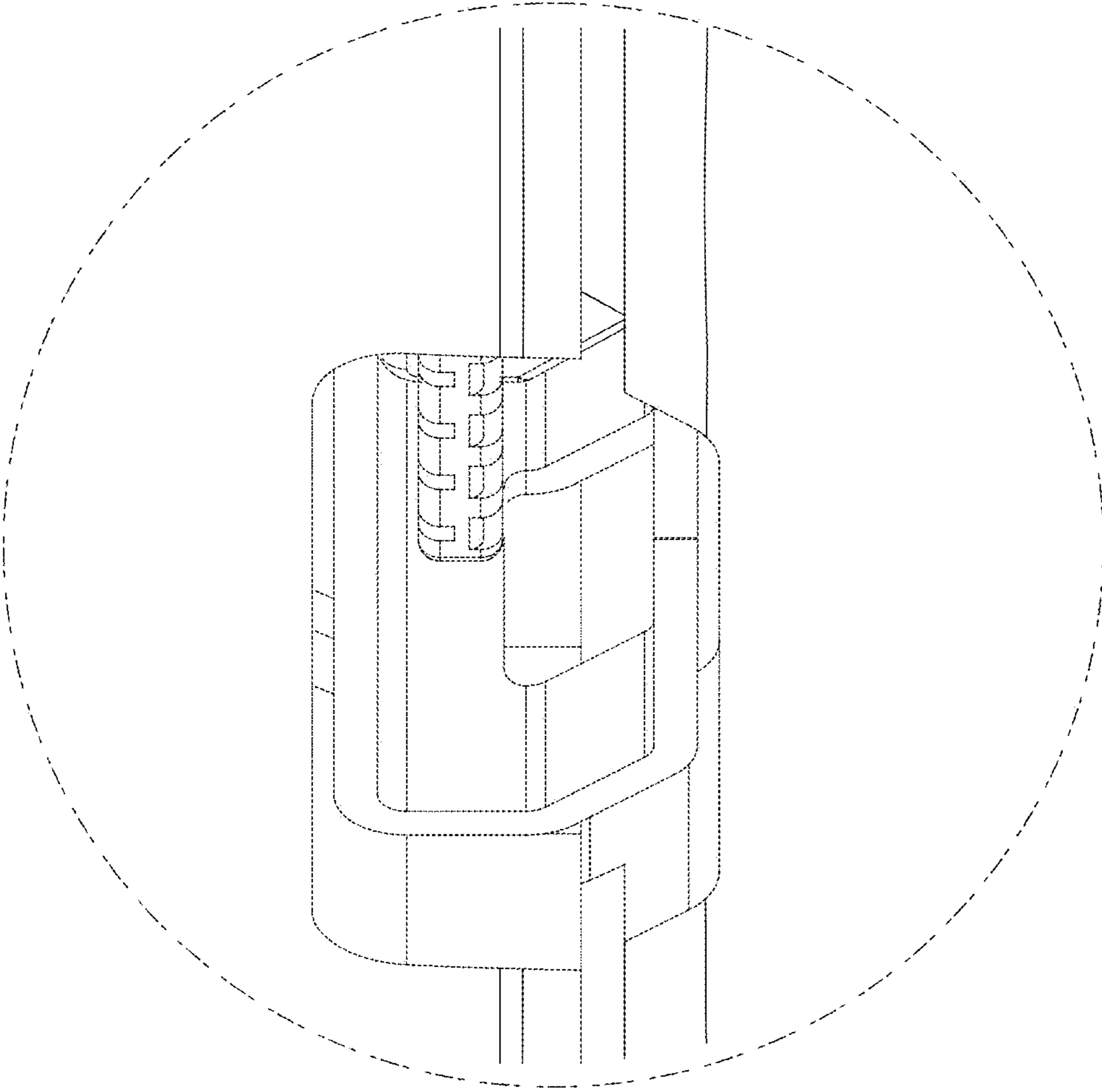


FIG. 10