



US00D984996S

(12) **United States Design Patent**
Bendis

(10) **Patent No.:** **US D984,996 S**

(45) **Date of Patent:** **** May 2, 2023**

(54) **DIGITAL KEY VAULT**

(71) Applicant: **Crayonic B.V.**, Eindhoven (NL)

(72) Inventor: **Anton Bendis**, Banská Štiavnica (SK)

(73) Assignee: **CRAYONIC B.V.**, Eindhoven (NL)

(**) Term: **15 Years**

(21) Appl. No.: **29/774,327**

(22) Filed: **Mar. 16, 2021**

(51) **LOC (14) Cl.** **14-02**

(52) **U.S. Cl.**
USPC **D14/383**

(58) **Field of Classification Search**

USPC D14/356–358, 383–385, 420, 426, 427,
D14/432–439, 447, 453, 454, 217, 253,
D14/299, 307; D13/107, 108, 133, 146,
D13/147, 152, 154, 156, 158, 162, 162.1,
D13/168, 173, 177, 102; 235/441, 451,
235/492, 380, 439, 375; 361/679.31, 600,
361/679.01, 679.02

CPC G07C 9/00103; G07C 9/00039; G07C
9/00904; G06K 5/00; G06K 7/01

See application file for complete search history.

(56) **References Cited**

U.S. PATENT DOCUMENTS

D466,901 S * 12/2002 Clarke D14/408
D508,393 S * 8/2005 Gao D8/352

D693,205 S * 11/2013 Mostert D8/350
D735,016 S * 7/2015 Kim D8/331
D756,363 S * 5/2016 Mathis D14/402
D768,463 S * 10/2016 Kraus D8/330
D902,206 S * 11/2020 Laurans D14/383
D937,464 S * 11/2021 Zou D26/85
D952,637 S * 5/2022 Ferreira Sánchez D14/383

* cited by examiner

Primary Examiner — Austin Murphy

(57) **CLAIM**

The ornamental design for a digital key vault, as shown and described.

DESCRIPTION

FIG. 1 is a perspective view of the digital key vault according to the invention, showing the top, front and side.

FIG. 2 is a perspective view of the digital key vault showing the bottom, back, and side.

FIG. 3 is a front plan view of the digital key vault.

FIG. 4 is a left side plan view of the digital key vault.

FIG. 5 is a back plan view of the digital key vault.

FIG. 6 is a right side plan view of the digital key vault.

FIG. 7 is a top plan view of the digital key vault.

FIG. 8 is a bottom plan view of the digital key vault; and,

FIG. 9 is a cross-sectional view along the line shown in FIG.

3.

The broken lines are for the purpose of illustrating the environment of the article only and form no part of the claimed design.

1 Claim, 7 Drawing Sheets

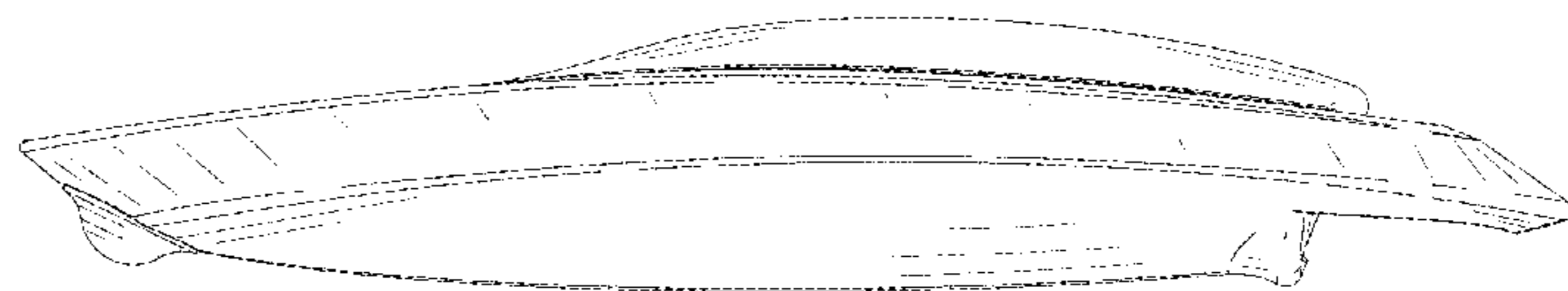
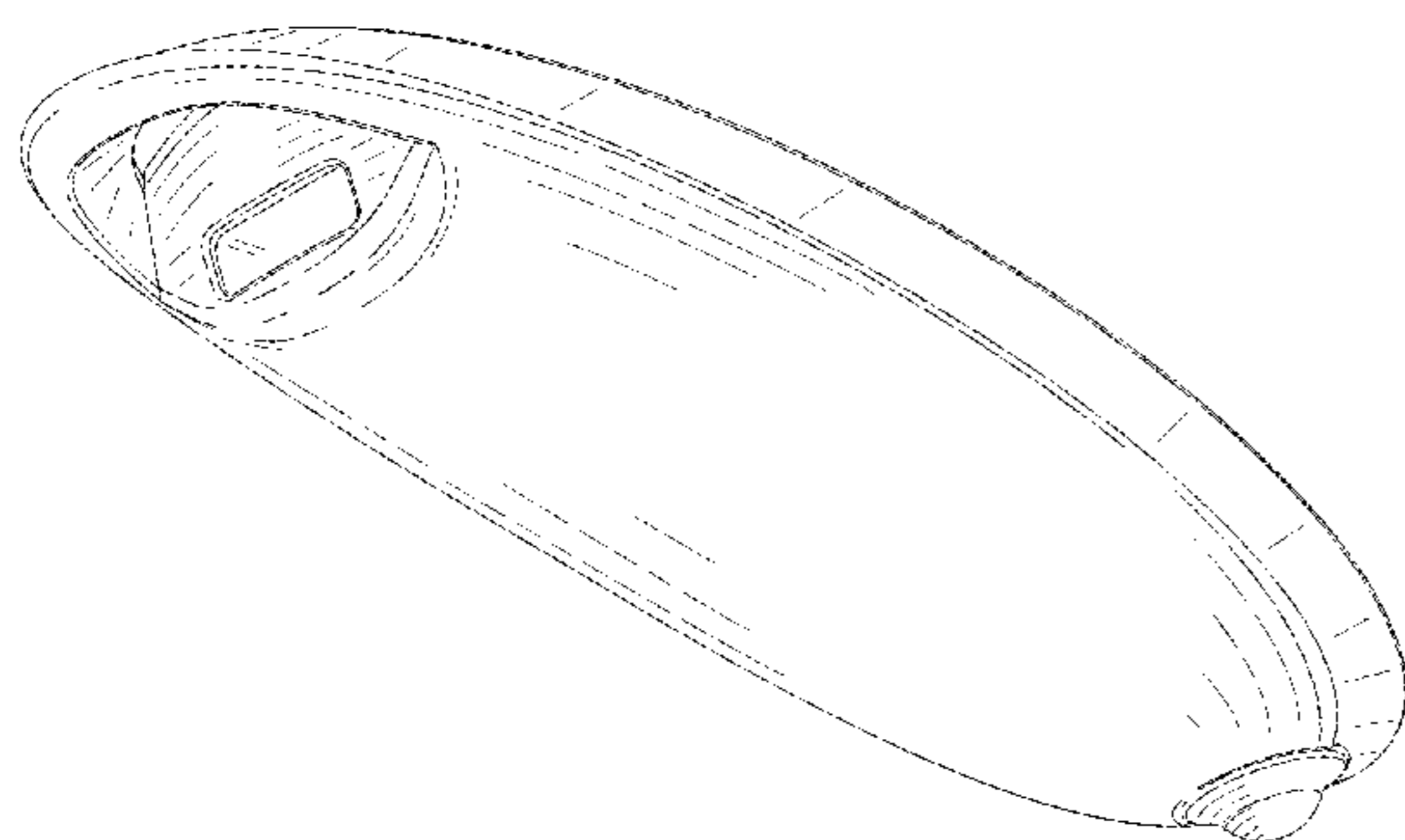




FIG.1

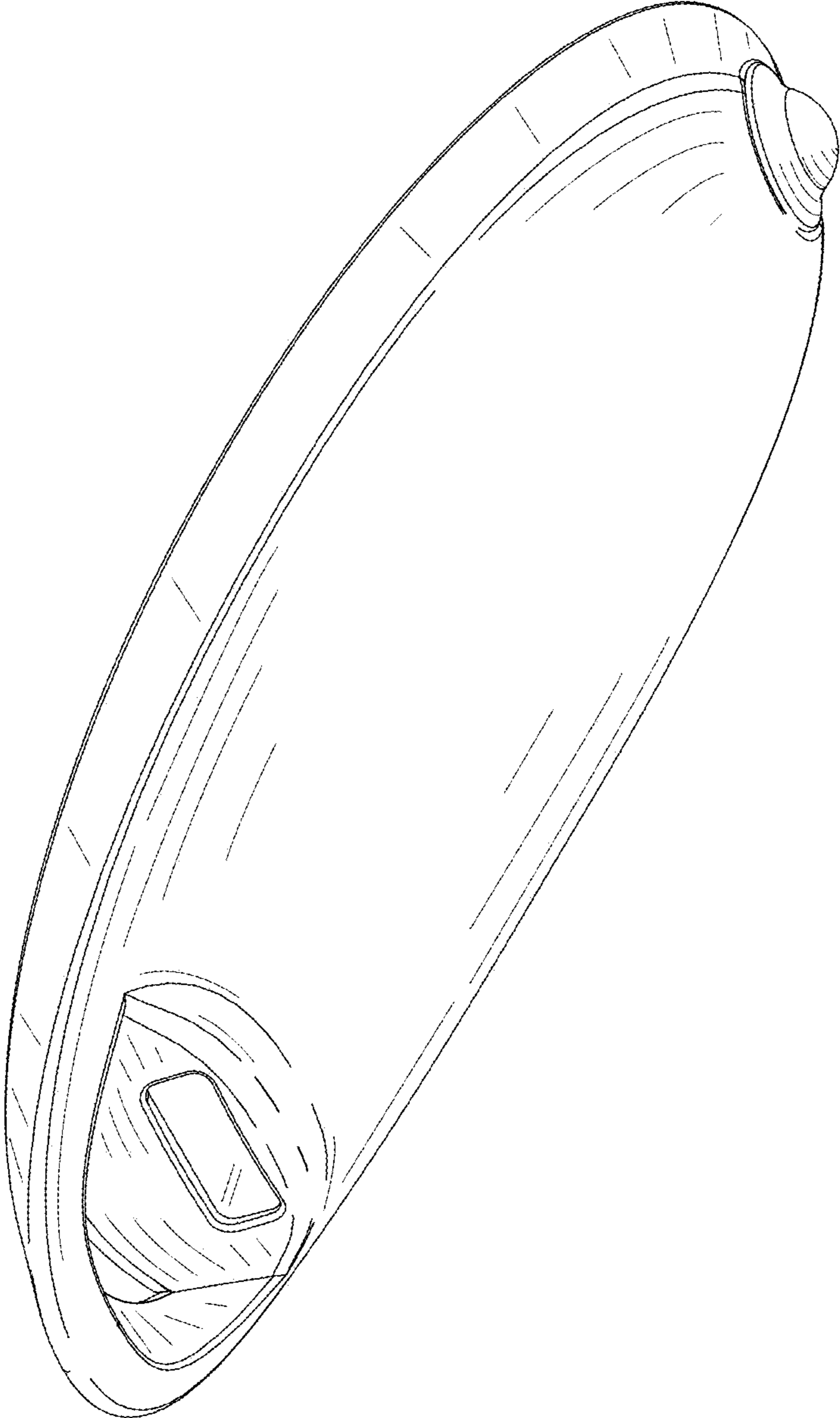
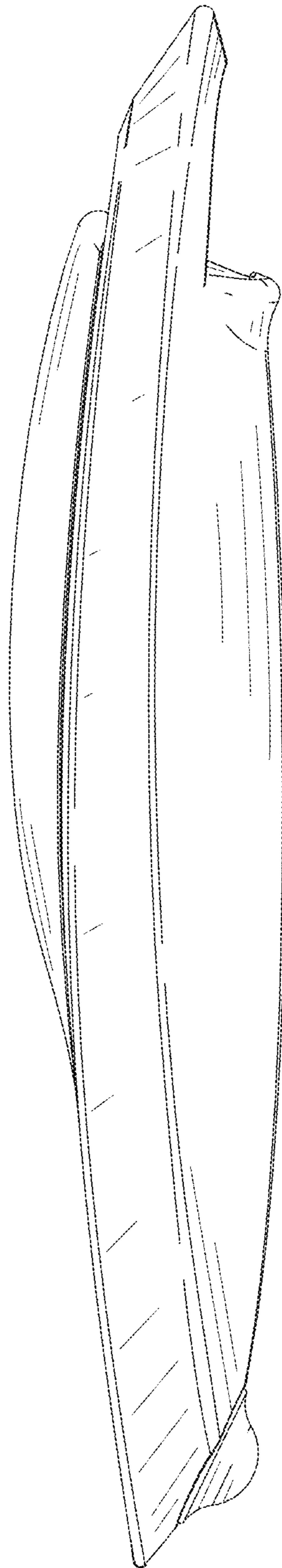
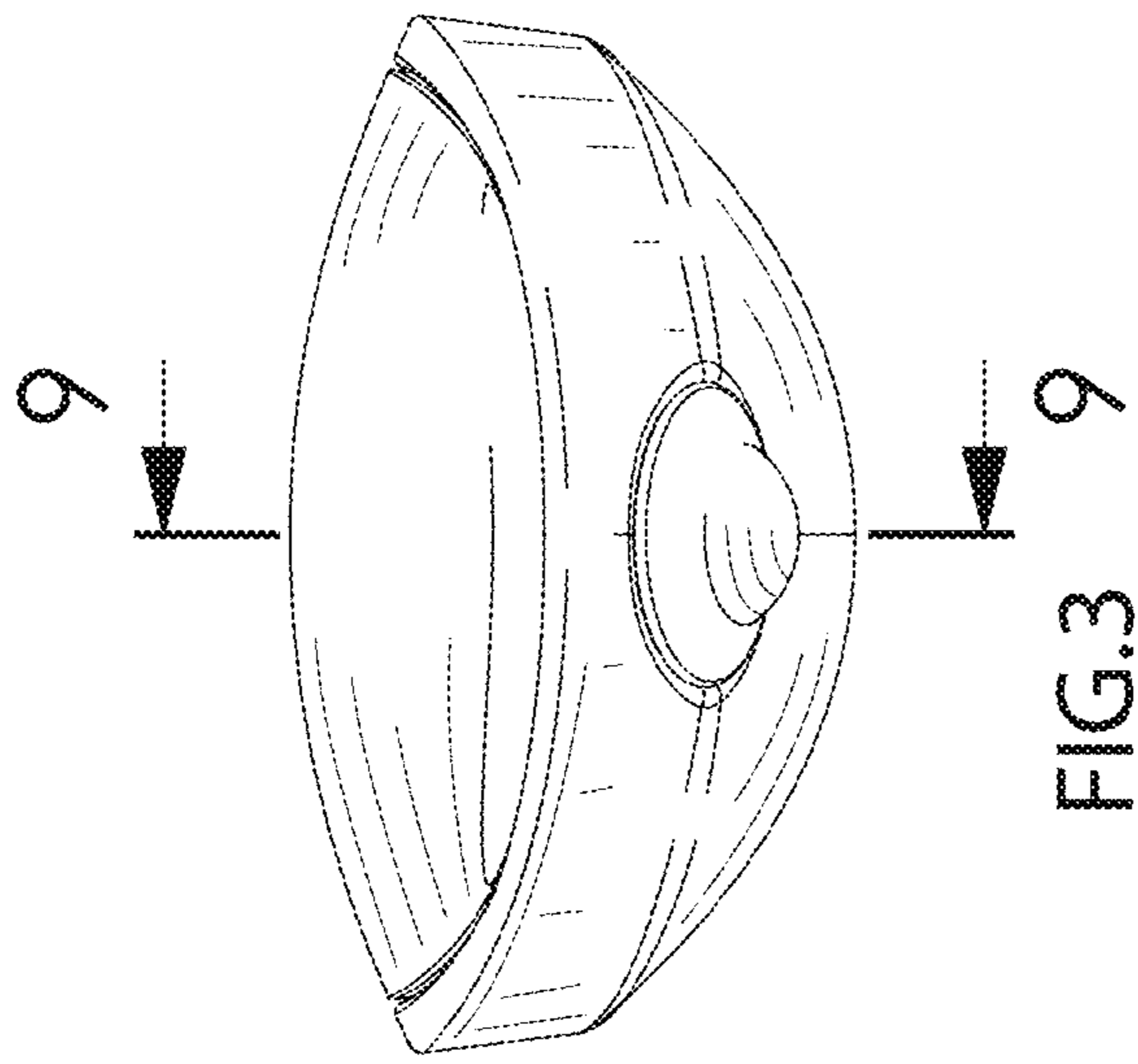


FIG.2



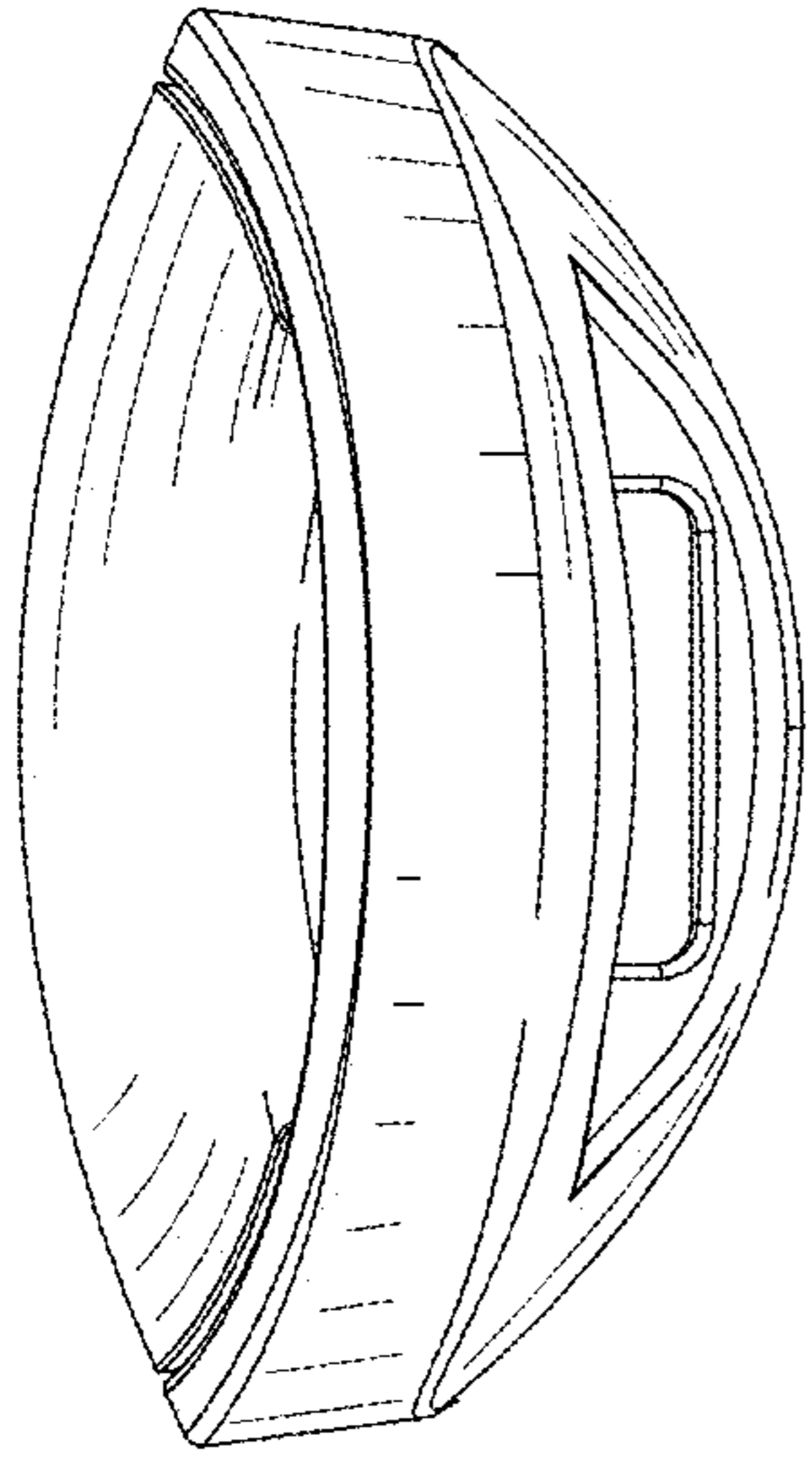


FIG. 5

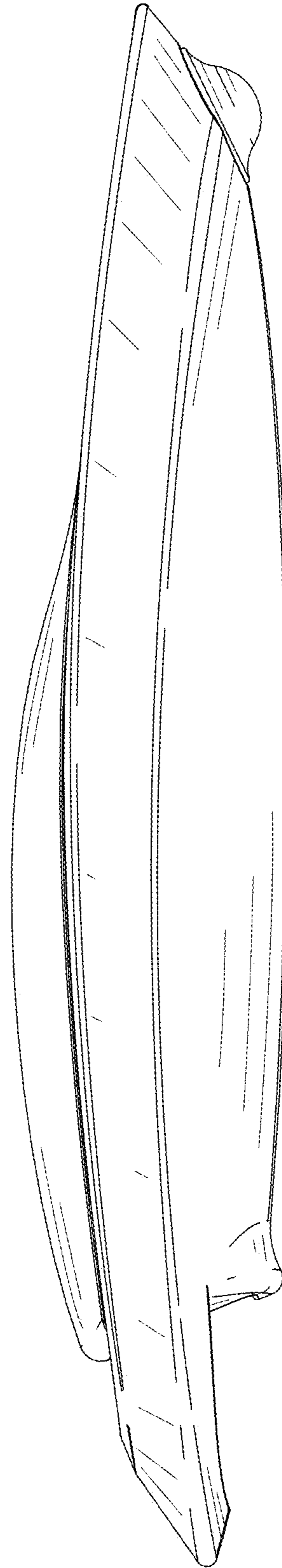


FIG. 6

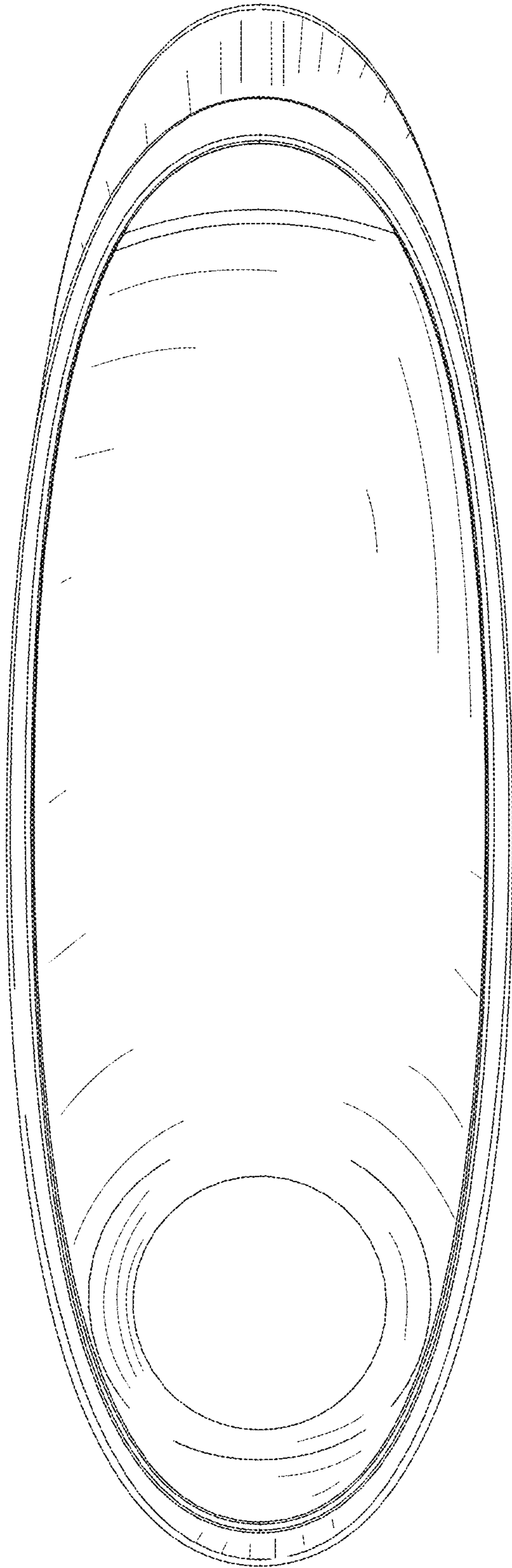


FIG.7

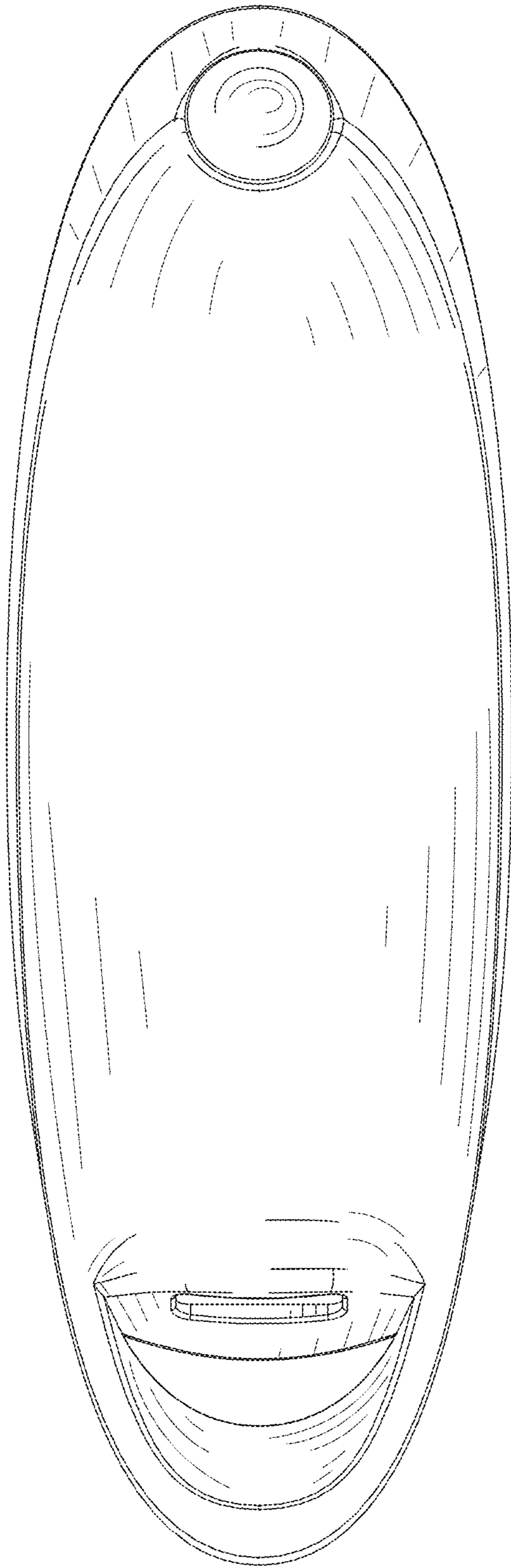


FIG.8

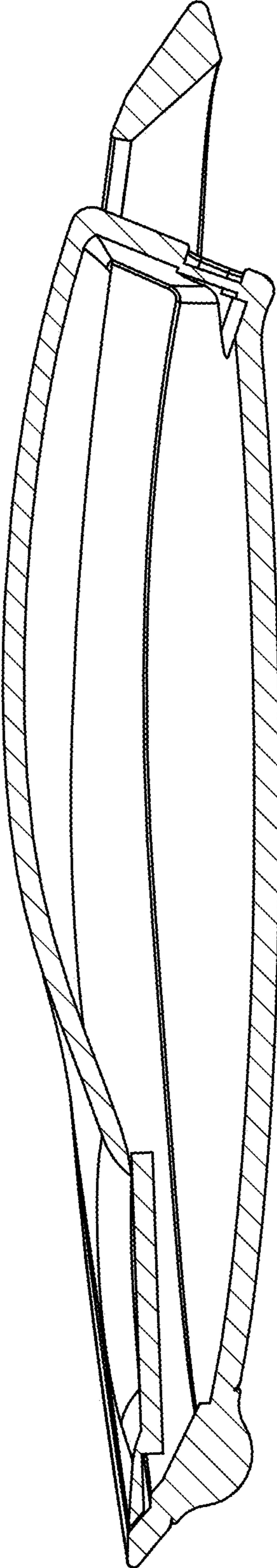


FIG.9