



US00D984994S

(12) **United States Design Patent**
He et al.

(10) **Patent No.:** **US D984,994 S**
(45) **Date of Patent:** **** May 2, 2023**

(54) **SMARTWATCH**

D760,716 S 7/2016 Akana et al.
9,577,324 B2 * 2/2017 Chen G04G 17/00
D816,522 S 5/2018 Zhou et al.

(Continued)

(71) Applicant: **SHENZHEN DO INTELLIGENT TECHNOLOGY CO., LTD.**,
Guangdong (CN)

FOREIGN PATENT DOCUMENTS

(72) Inventors: **An He**, Shenzhen (CN); **Yuanyuan Chen**, Guangdong (CN)

CN 302936419 9/2014
CN 303296619 7/2015

(Continued)

(73) Assignee: **SHENZHEN DO INTELLIGENT TECHNOLOGY CO., LTD.**, Shenzhen (CN)

OTHER PUBLICATIONS

(**) Term: **15 Years**

IDO GTX01 420x200mm Smartwatch User Manual, publication date Mar. 21, 2022, [online] URL: <https://manuals.plus/ido/gtx01-420x200mm-smart-watch-manual#axzz7UJN8mRFQ> (Year: 2022).*

(Continued)

(21) Appl. No.: **29/825,931**

(22) Filed: **Feb. 7, 2022**

Primary Examiner — L. A. Grabenstetter

(30) **Foreign Application Priority Data**

(74) *Attorney, Agent, or Firm* — Davis Wright Tremaine, LLP

Nov. 29, 2021 (CN) 202130786004.8

(51) **LOC (14) Cl.** **14-02**

(52) **U.S. Cl.**
USPC **D14/341**; D24/167

(58) **Field of Classification Search**
USPC D10/30, 32, 38, 65, 70, 98, 132;
D14/138 R, 240, 341, 344; D24/167, 186
CPC A44C 5/0053; A44C 5/145; G06F 1/163
See application file for complete search history.

(57) **CLAIM**

The ornamental design for a smartwatch, as shown and described.

(56) **References Cited**

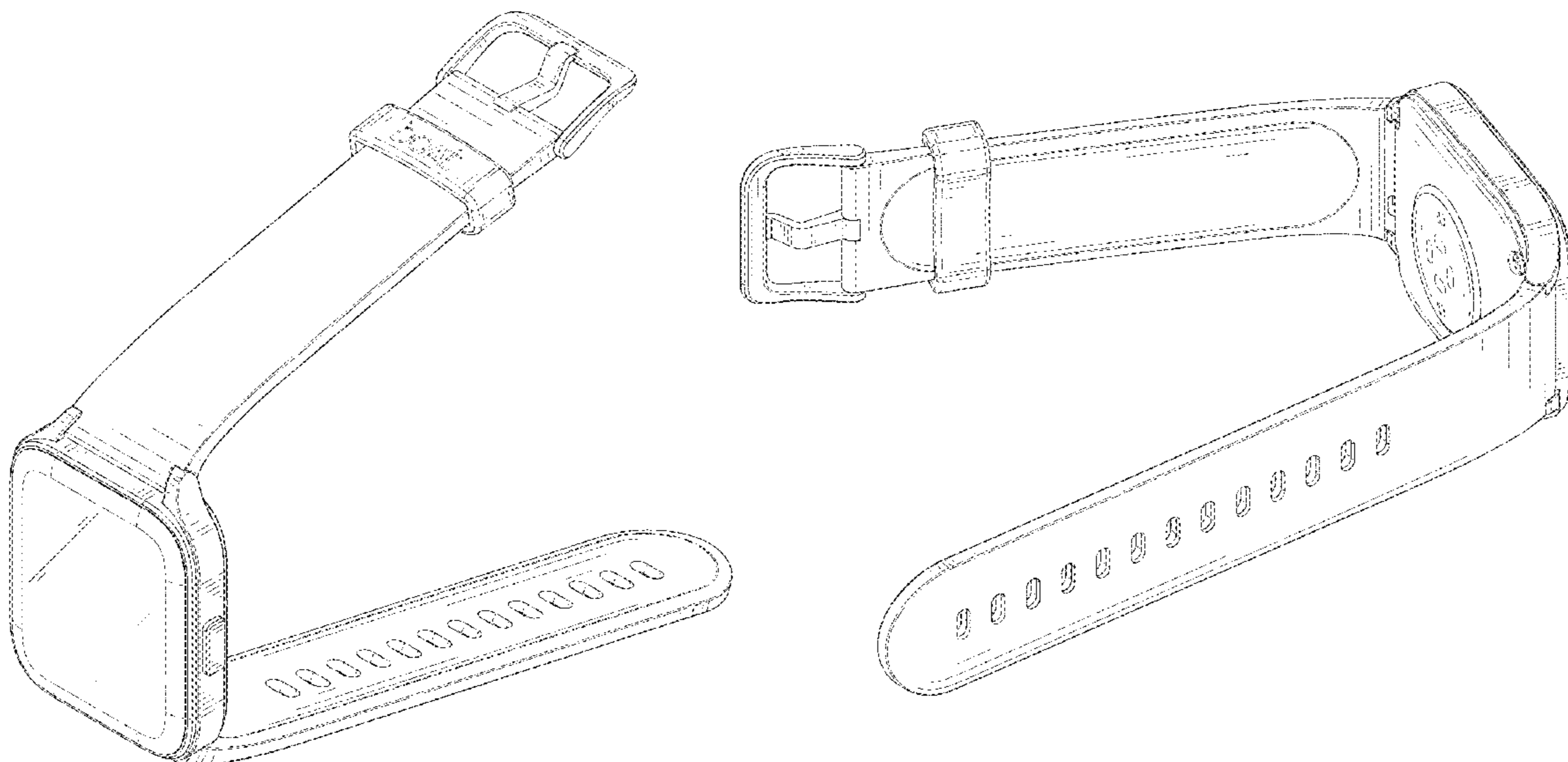
U.S. PATENT DOCUMENTS

D494,072 S * 8/2004 Bitetto D10/39
D496,589 S * 9/2004 Perrenoud D10/30
D714,164 S 9/2014 Vuilleumier et al.
D729,237 S * 5/2015 Fagnot D14/344
D734,176 S 7/2015 Isaacs et al.
D737,157 S * 8/2015 Akana D10/70
D745,515 S * 12/2015 Solomon D14/344
D759,011 S 6/2016 Akana et al.

DESCRIPTION

FIG. 1 is a front, right and top side perspective view of a smartwatch, showing our new design.
FIG. 2 is a rear, left and bottom side perspective view thereof;
FIG. 3 is a front elevation view thereof;
FIG. 4 is a rear elevation view thereof;
FIG. 5 is a left side elevation view thereof;
FIG. 6 is a right side elevation view thereof;
FIG. 7 is a top plan view thereof; and,
FIG. 8 is a bottom plan view thereof.
The broken lines shown in the drawings represent portions of the smartwatch that form no part of the claimed design.

1 Claim, 8 Drawing Sheets



(56)

References Cited

U.S. PATENT DOCUMENTS

D832,252 S * 10/2018 Akana D14/344
 D837,206 S * 1/2019 Guan D14/344
 D866,350 S * 11/2019 Park D14/344
 D889,459 S 7/2020 Zhang
 D900,810 S * 11/2020 Ke D14/344
 D901,493 S 11/2020 Gao
 D909,369 S 2/2021 Wu
 D912,665 S * 3/2021 Zhang D14/344
 D917,467 S 4/2021 Akana et al.
 D922,376 S 6/2021 Zheng
 D926,753 S * 8/2021 Wu D14/344
 D927,484 S 8/2021 Wu
 D928,148 S 8/2021 Wu
 D929,989 S 9/2021 Han
 D934,087 S 10/2021 Valzan
 D935,453 S 11/2021 Gao
 D939,360 S * 12/2021 Qu D10/32
 D940,705 S 1/2022 Lin
 D949,039 S * 4/2022 Akana D11/3
 D951,108 S * 5/2022 Huang D14/344
 2016/0261037 A1* 9/2016 Chen G06F 1/1698

FOREIGN PATENT DOCUMENTS

CN 303317625 8/2015
 CN 303394101 9/2015
 CN 303464862 11/2015
 CN 303518904 12/2015
 CN 303590277 2/2016
 CN 303633688 4/2016
 CN 303737079 7/2016
 CN 303770318 8/2016
 CN 304137636 5/2017
 CN 304279284 9/2017
 CN 304331983 10/2017
 CN 304565317 4/2018
 CN 304577212 4/2018
 CN 304693950 6/2018
 CN 305417814 11/2019
 CN 305585742 2/2020
 CN 305624133 2/2020
 CN 305732778 4/2020
 CN 305834493 6/2020
 CN 305876254 6/2020
 CN 305955342 7/2020
 CN 306010153 8/2020
 CN 306025252 9/2020
 CN 306104077 10/2020
 CN 306301971 1/2021
 CN 306348592 2/2021
 CN 306358110 3/2021
 CN 306380787 3/2021
 CN 306439773 4/2021
 CN 306458863 4/2021
 CN 306493524 4/2021
 CN 306568834 5/2021
 CN 306693886 7/2021
 CN 306728853 8/2021
 CN 306728868 8/2021
 CN 306728873 8/2021
 CN 306759393 8/2021
 CN 306759410 8/2021
 CN 306776036 8/2021
 CN 306793115 8/2021
 CN 306801420 9/2021
 CN 306838183 9/2021

CN 306853924 9/2021
 CN 306861364 10/2021
 CN 306885116 10/2021
 CN 306939950 11/2021
 CN 306939952 11/2021
 CN 306962571 11/2021
 CN 306971362 11/2021
 CN 306971375 11/2021
 CN 306977981 12/2021
 CN 306990602 12/2021
 CN 306990614 12/2021
 CN 307033203 12/2021
 CN 307047176 1/2022
 CN 307071032 1/2022
 EM 006001004-0002 1/2019
 EM 006380622-0001 4/2019
 EM 006380622-0002 4/2019
 EM 007743059-0001 3/2020
 EM 008614341-0002 7/2021
 GB 6041455 8/2018
 GB 9006001004-0002 1/2019
 GB 9006380622-0001 4/2019
 GB 9006380622-0002 4/2019
 GB 9007307780-0002 11/2019
 GB 9007743059-0001 3/2020
 GB 6183151 11/2021
 KR 300919433.0000 8/2017
 KR 301064229.0000 6/2020
 KR 301077957.0000 10/2020
 KR 301077959.0000 10/2020

OTHER PUBLICATIONS

Garmin Venu Sq review, publication date Aug. 29, 2021, [online] URL: <https://bdtechtalks.com/2021/08/29/garmin-venu-sq-review/> (Year: 2021).*

TSV Smart Watch, earliest verified review date Aug. 16, 2020, [online] URL: <https://www.walmart.com/ip/TSV-Smart-Watch-Fits-Android-iOS-Samsung-Phones-IP68-Swimming-Waterproof-Smartwatch-Fitness-Tracker-Heart-Rate-Sleep-Monitor-Watches-Men-Women/990842150> (Year: 2020).*

Letsfit Smartwatch (ID205L) review, publication date Feb. 5, 2021, [online] URL: <https://www.tomsguide.com/reviews/letsfit-smartwatch-id205l> (Year: 2021).*

Garmin Venu Sq review, publication date Sep. 23, 2020, [online] URL: <https://www.dcrainmaker.com/2020/09/garmin-venu-sq-in-depth-review.html> (Year: 2020).*

Boat Watch Xplorer O2 smartwatch launched in India with SpO2 sensor, built-in GPS, publication date Nov. 22, 2021, [online] URL: <https://www.techradar.com/news/boat-watch-xplorer-o2-smartwatch-launched-in-india-with-spo2-sensor-built-in-gps> (Year: 2021).*

Boat Wave Neo Smartwatch, publication date May 26, 2022, [online] URL: <https://telecomtalk.info/boat-wave-neo-budget-smartwatch-launched-in/521198/> (Year: 2022).*

Goqii, "Smart Vital Lite," retrieved from https://store.goqii.com/smartvitallite?utm_source=googlemerchant&utm_medium=googleshoppingads&utm_campaign=smart-vitallite&gclid=Cj0KCQiArt6PBhCoARIsAMF5wahD6eFqn0ixDE8_Ry_r9axluYITa1Ob0zYnP1val95buqmiU65GqncAvLMEALw_wCB, 10 pages.

Haylou, "Haylou LS02 1.4 Smartwatch," retrieved from <https://haylou.info/ls02.html>, 8 pages.

Noise, "Noise X-Fit 1," retrieved from <https://www.gonoise.com/products/noisefit-x-fit-1-fitness-tracker>, 15 pages.

* cited by examiner

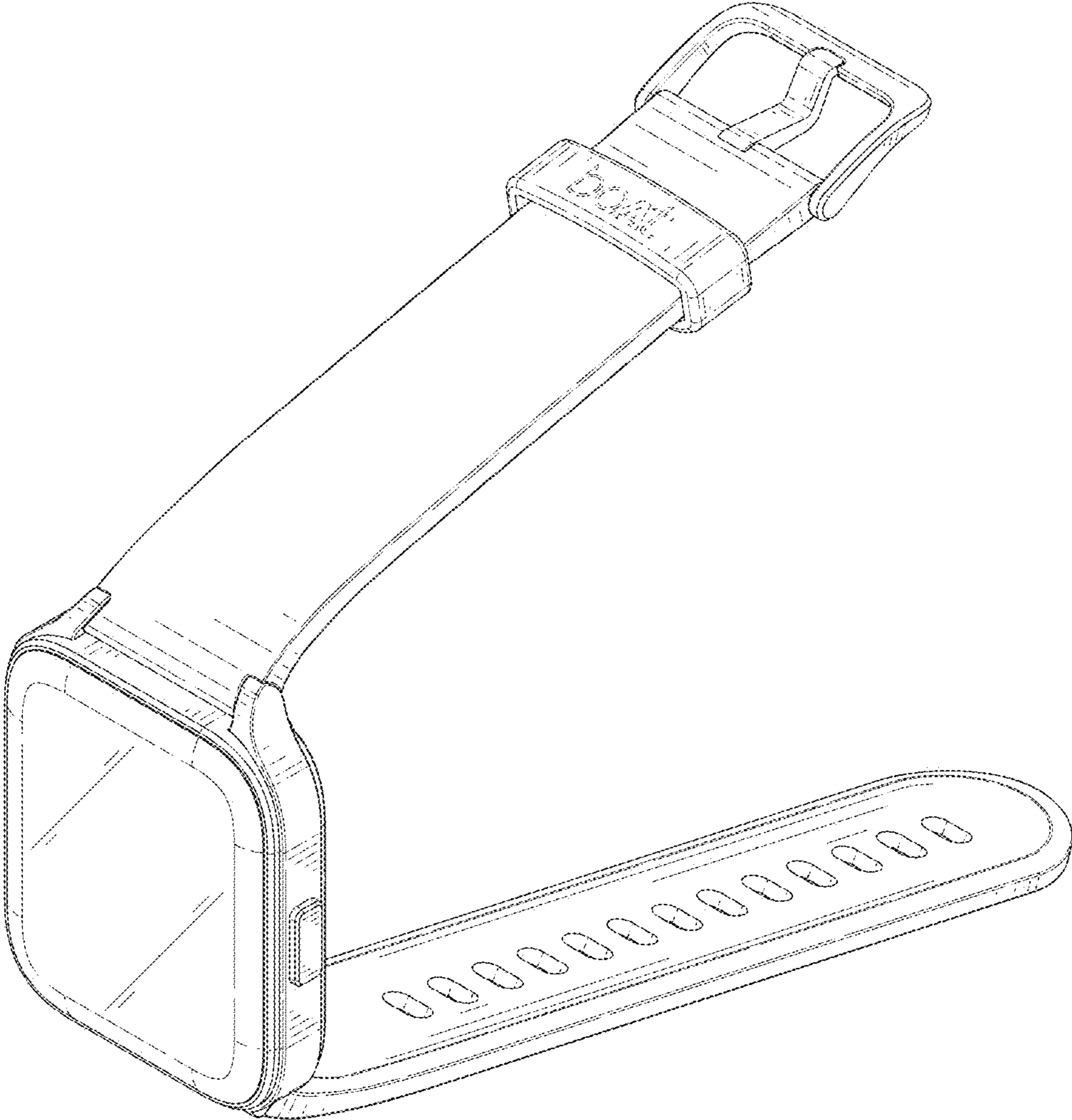


FIG. 1

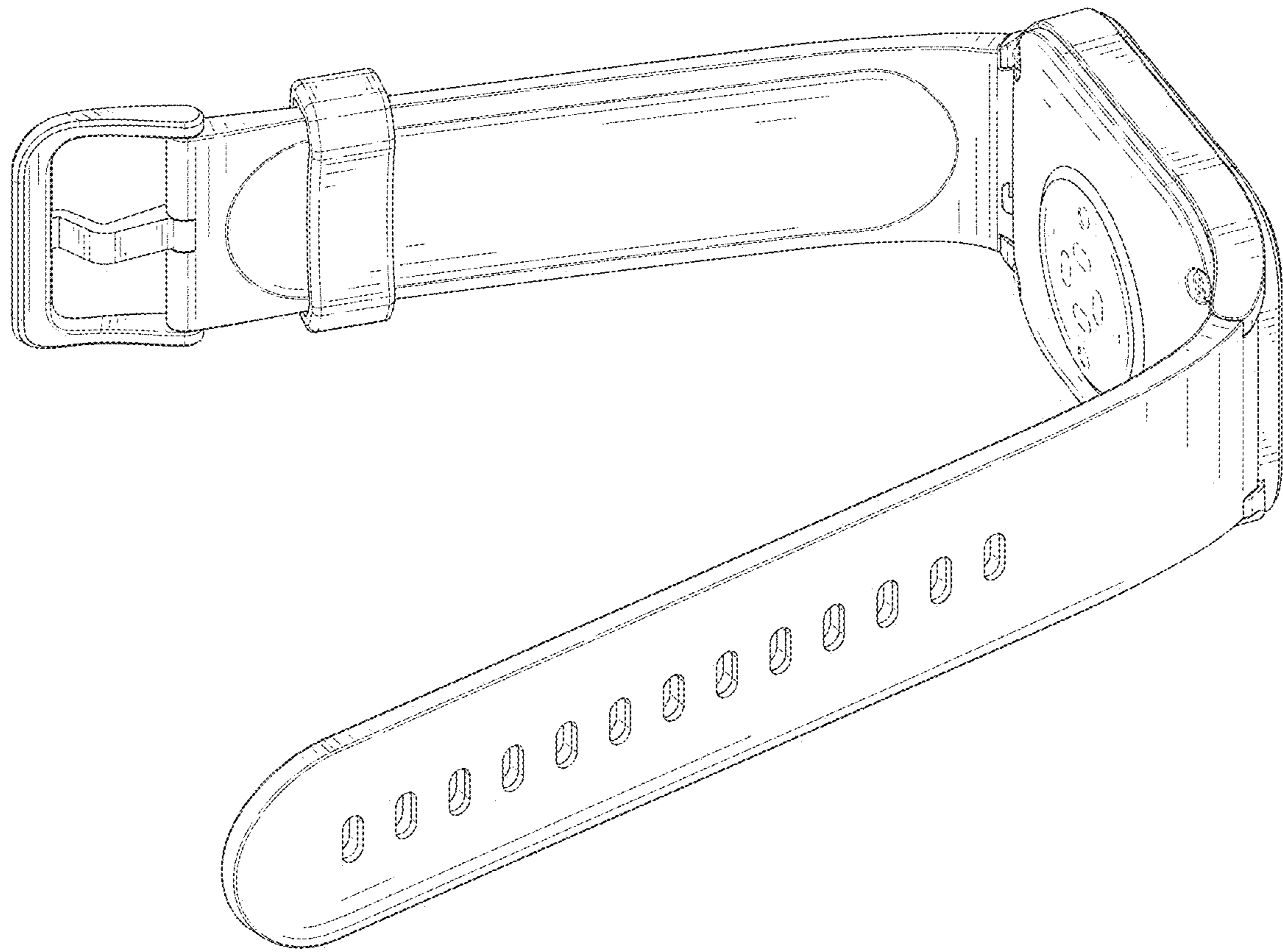


FIG. 2

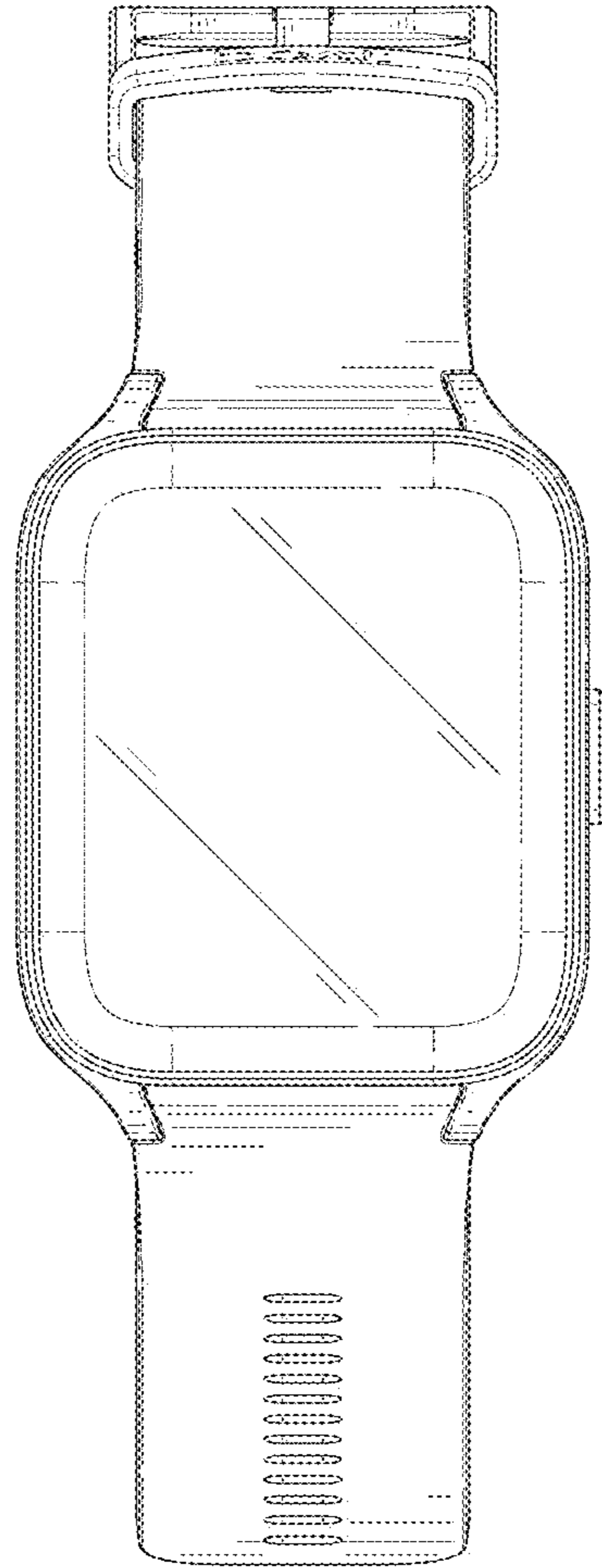


FIG. 3

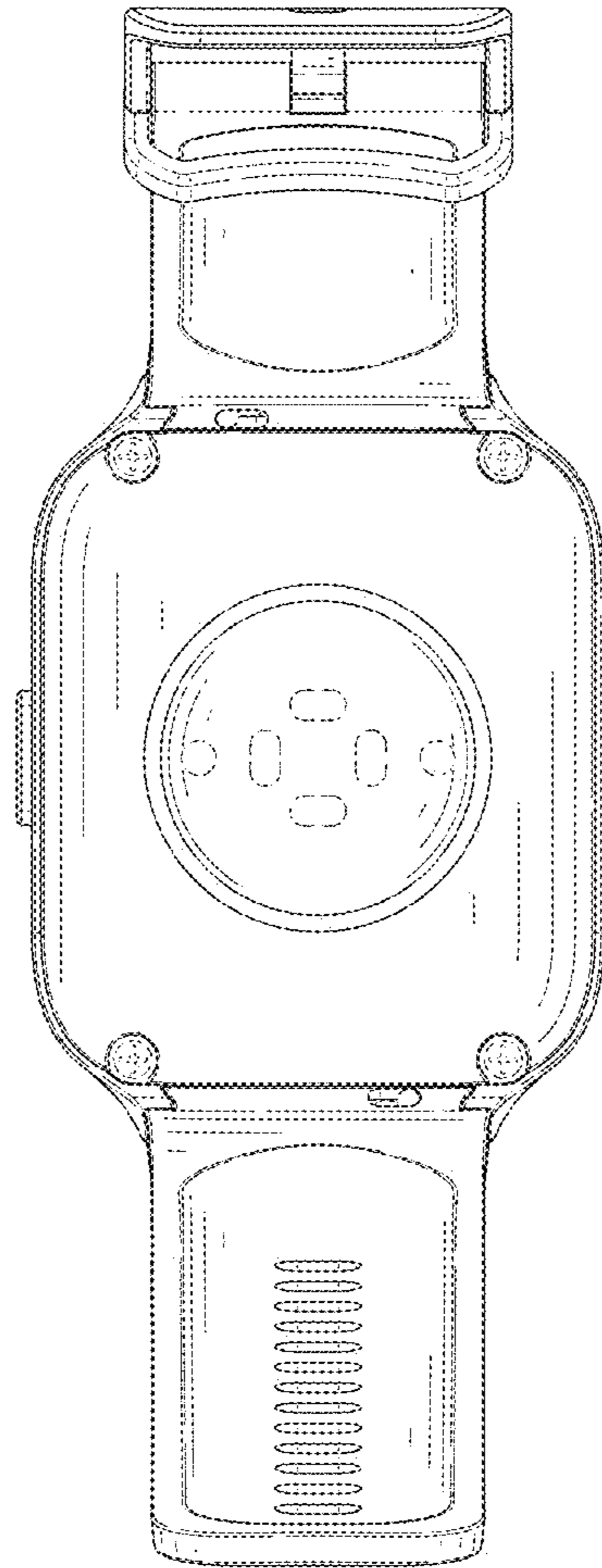


FIG. 4

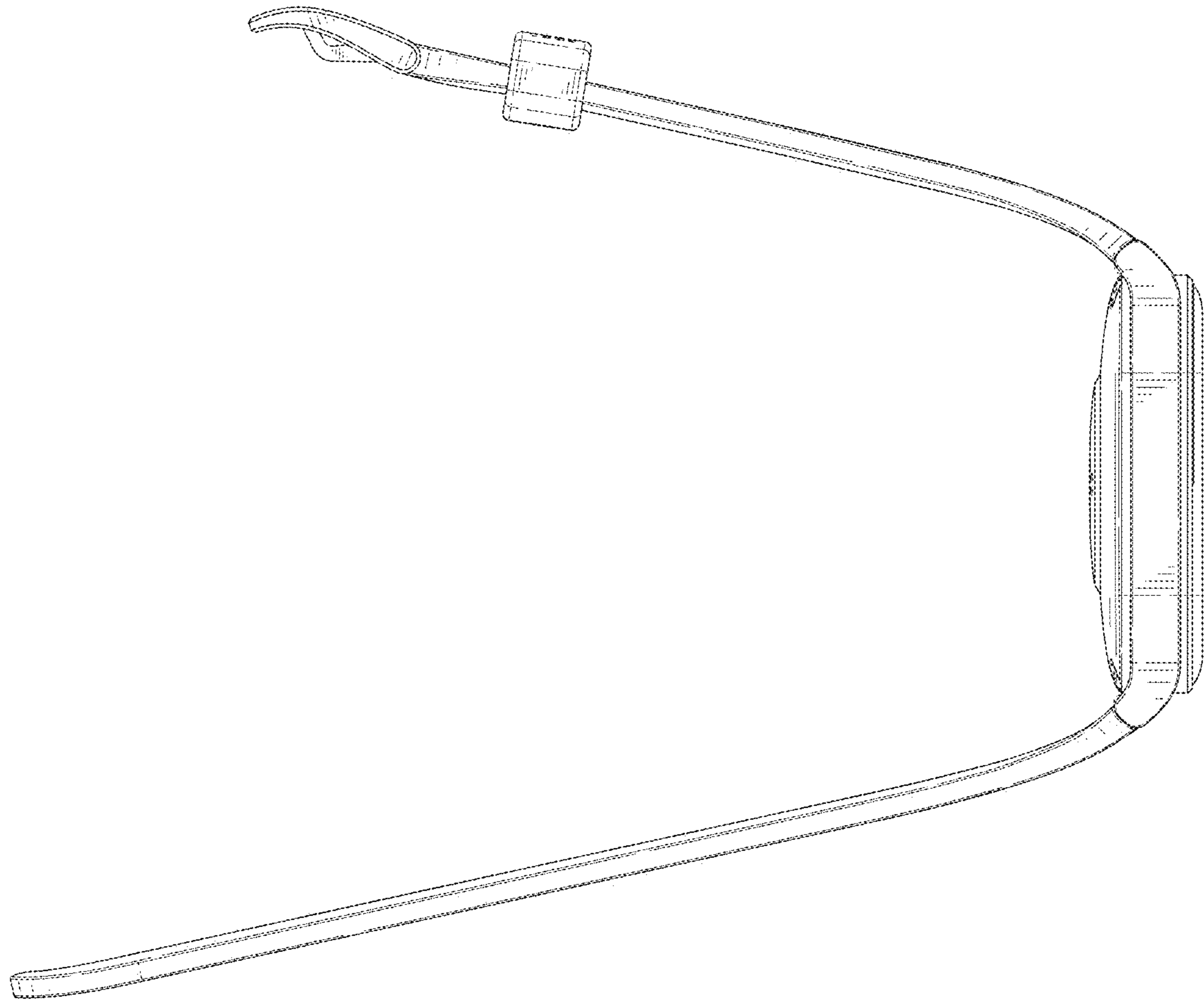


FIG. 5

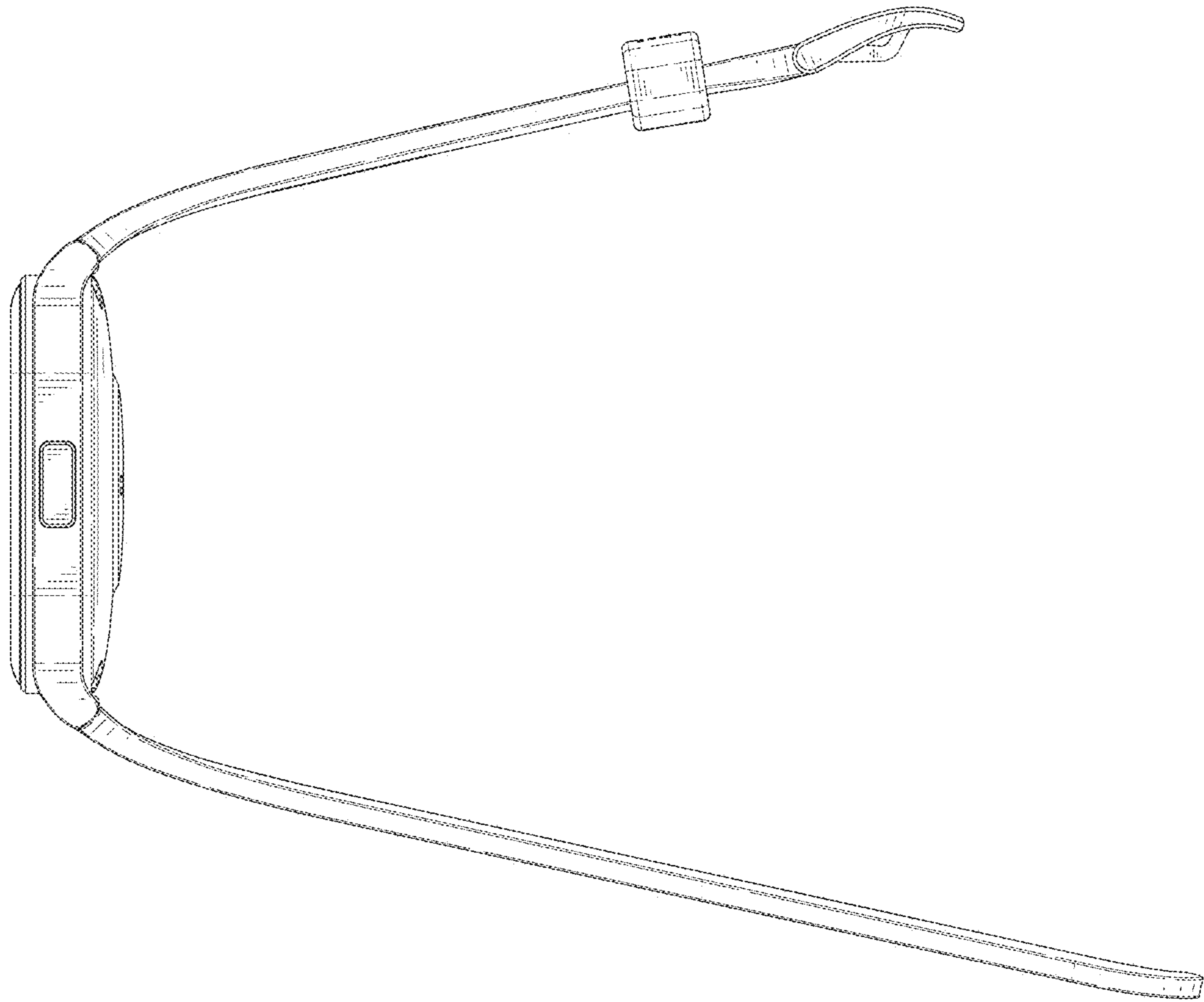


FIG. 6

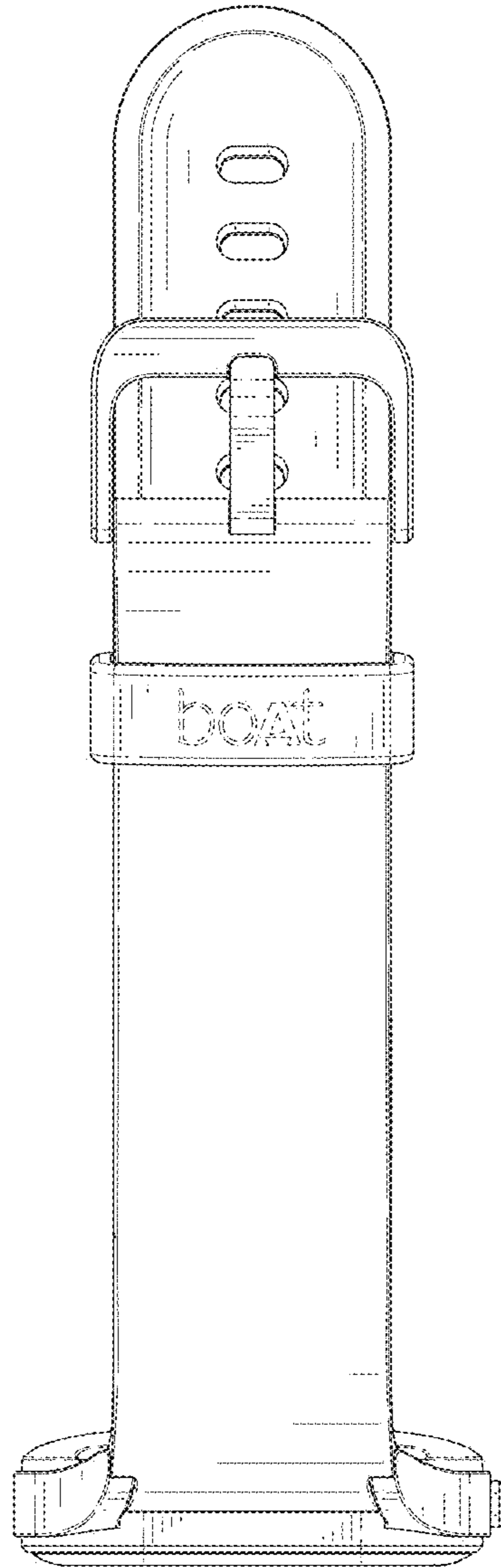


FIG. 7

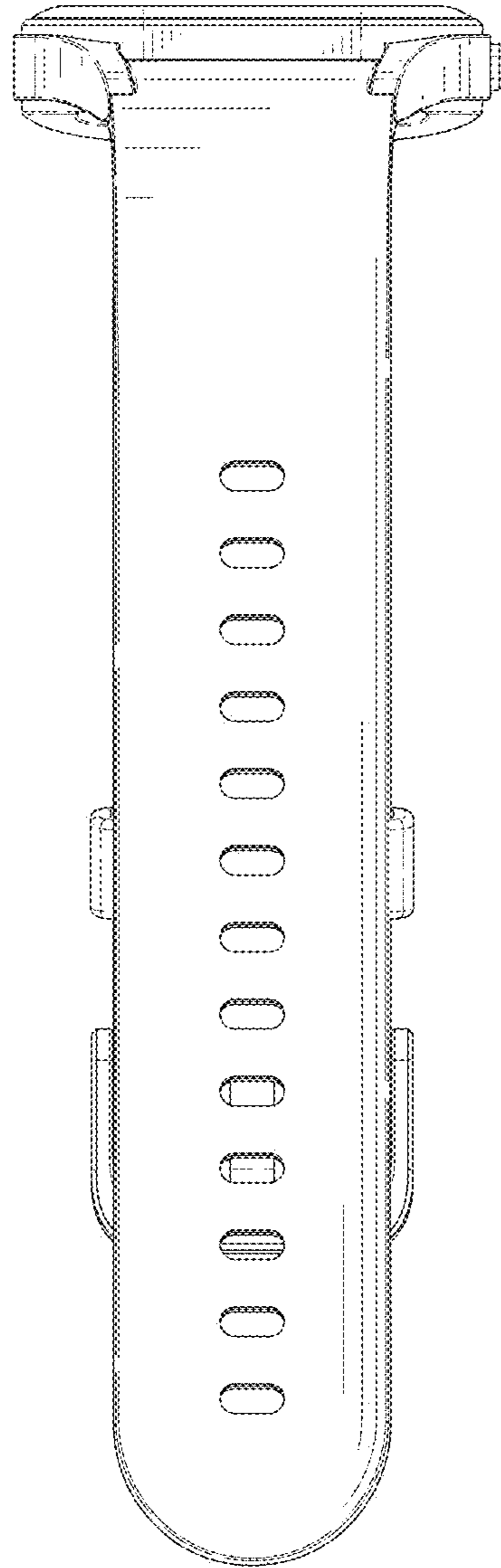


FIG. 8