



US00D984993S

(12) **United States Design Patent** (10) **Patent No.:** **US D984,993 S**
Lu (45) **Date of Patent:** **** May 2, 2023**

(54) **PORTABLE MONITOR**

OTHER PUBLICATIONS

(71) Applicant: **Shenzhen G-world Technology Incorporated Company**, Guangdong (CN)

15.6" 4K OLED Monitor Coming Soon . . . , date not available, [retrieved May 17, 2022], Retrieved from Internet, URL: <https://www.intehill.com/pages/4k-oled-portable-monitor> (Year: 2022).*

(72) Inventor: **Yi Lu**, Guangdong (CN)

(Continued)

(73) Assignee: **Shenzhen G-world Technology Incorporated Company**, Guangdong (CN)

Primary Examiner — Barbara Fox
Assistant Examiner — Aram Kwon

(74) *Attorney, Agent, or Firm* — ScienBiziP, P.C.

(**) Term: **15 Years**

(21) Appl. No.: **29/800,349**

(57) **CLAIM**

(22) Filed: **Jul. 20, 2021**

The ornamental design for a portable monitor, as shown and described.

(30) **Foreign Application Priority Data**

Jul. 14, 2021 (JP) 2021-015308 D

(51) **LOC (14) Cl.** **14-02**

(52) **U.S. Cl.**
USPC **D14/336**

(58) **Field of Classification Search**
USPC ... D14/125–126, 127–137, 138, 138 G, 168, D14/217–218, 248, 315–318, 322, 326, D14/334–336, 339, 340–347, 356, D14/387–389, 399–401, 405–410, D14/412–416, 421–430, 443, 449–450,
(Continued)

DESCRIPTION

FIG. 1 is a front, right, and top perspective view of a portable monitor, showing my design.
FIG. 2 is a rear, left, and bottom perspective view thereof.
FIG. 3 is a front elevation view thereof.
FIG. 4 is a rear elevation view thereof.
FIG. 5 is a left side elevation view thereof.
FIG. 6 is a right side elevation view thereof.
FIG. 7 is a top plan view thereof.
FIG. 8 is a bottom plan view thereof.
FIG. 9 is an enlarged view of the portable monitor shown within the encircled portion labeled 9 in FIG. 2; and, FIG. 10 is an enlarged view of the portable monitor shown within the encircled portion labeled 10 in FIG. 2.
The evenly-dashed broken lines shown in the drawings are included for the purpose of illustrating portions of the portable monitor that form no part of the claimed design. The dash-dot broken lines encircling portions illustrated in enlargements and illustrated in enlarged views in FIGS. 9 and 10 form no part of the claimed design.

(56) **References Cited**

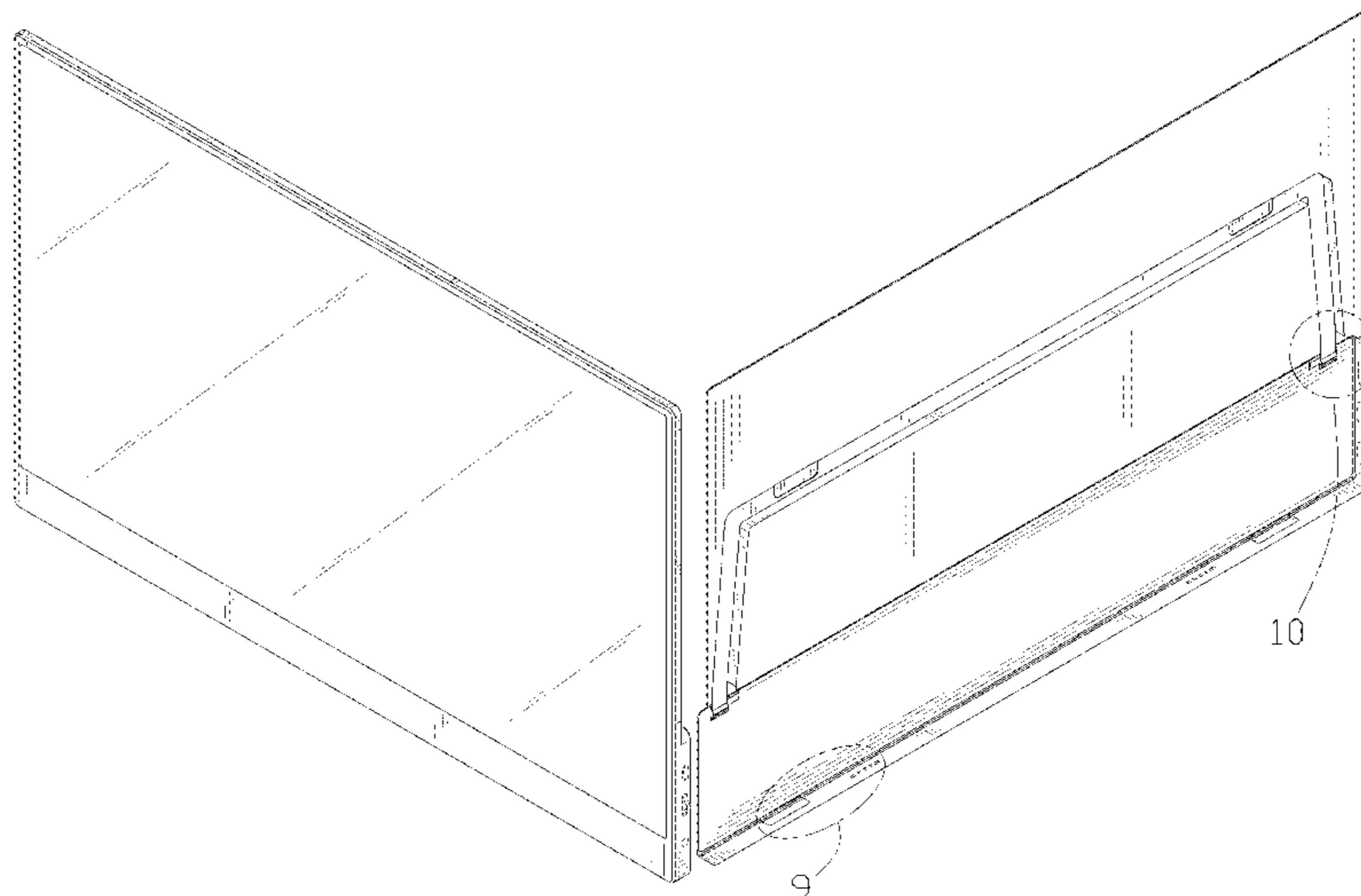
U.S. PATENT DOCUMENTS

D590,786 S * 4/2009 Kim D14/126
D678,272 S * 3/2013 Groene D14/341
(Continued)

FOREIGN PATENT DOCUMENTS

EM 008613970-0002 * 7/2021
EM 008739247-0002 * 11/2021
GB 6148362 * 7/2021

1 Claim, 10 Drawing Sheets



(58) **Field of Classification Search**

USPC D14/454, 474, 483, 496; D21/324-329,
D21/330, 332, 333, 566; D6/300, 310,
D6/314, 320, 332, 553, 657; D10/50, 65,
D10/104.1; D18/6-7; D19/26, 59-60
CPC A63F 9/00; A63F 9/24; A63F 11/00; A63F
13/02; A63F 13/06; A63F 13/24; A63F
13/98; H04M 1/0202; H04M 1/0266;
H04M 1/725

See application file for complete search history.

D917,465 S * 4/2021 Zhang D14/341
D922,996 S * 6/2021 Chen D14/315
D934,828 S * 11/2021 Zhao D14/129
D950,550 S * 5/2022 Xu D14/345
2009/0321609 A1* 12/2009 Wang H04M 1/0297
248/685
2011/0013351 A1* 1/2011 Simmons G06F 1/162
361/679.27
2012/0133591 A1* 5/2012 Simmons G06F 1/169
345/169
2017/0218674 A1* 8/2017 Shen G06F 1/1681
2018/0052487 A1* 2/2018 Lin G06F 1/1626

(56)

References Cited

U.S. PATENT DOCUMENTS

D692,425 S * 10/2013 Kubota D14/374
D705,778 S * 5/2014 Groene D14/341
D721,364 S * 1/2015 Huh D14/374
D726,136 S * 4/2015 Cho D14/126
D727,864 S * 4/2015 Kim D14/126
D733,127 S * 6/2015 Sung D14/341
D740,804 S * 10/2015 Hovdal D14/341
D743,360 S * 11/2015 Kim D14/126
D754,122 S * 4/2016 Oakley D14/374
D760,718 S * 7/2016 Wallace D14/374
D780,174 S * 2/2017 Park D14/341
D789,356 S * 6/2017 Cebe D14/315
D816,673 S * 5/2018 Lim D14/374
D817,329 S * 5/2018 Chu D14/374
D819,018 S * 5/2018 Tsai D14/341
D826,930 S * 8/2018 Iida D14/341
D837,205 S * 1/2019 Hu D14/341
D859,396 S 9/2019 Lee
D860,195 S 9/2019 Lee
D872,077 S * 1/2020 Raken D14/341
D898,737 S * 10/2020 Chen D14/341
D906,329 S * 12/2020 Wu D14/126
D908,694 S * 1/2021 Cebe D14/341

OTHER PUBLICATIONS

Ananta 17.3-inch Touchscreen Portable Monitor Review, Jun. 19, 2020, [retrieved May 17, 2022], Retrieved from Internet, URL: <<https://www.notebookcheck.net/Ananta-17-3-inch-Touchscreen-Portable-Monitor-Review-Huge-Screen-Small-Size.476791.0.html>> (Year: 2020).*

HT161CGB, date not available, [retrieved May 17, 2022], Retrieved from Internet, URL: <<https://www.hannspree.eu/product/ht161cgb/>> (Year: 2022).*

MSI Optix MAG162V 15.6", review date: Mar. 8, 2022, [retrieved May 17, 2022], Retrieved from Internet, URL: <https://www.bhphotovideo.com/c/product/1675610-REG/msi_optixmag162v_15_6_fhd_lcd_ips.html/reviews> (Year: 2022).*

Portable Monitor for Laptop, date first available: Oct. 22, 2021, [retrieved May 18, 2022], Retrieved from Internet, URL: <<https://www.amazon.com/dp/B09K3FWMPL/?tag=cult087-20>> (Year: 2021).*

Portable Monitor, date first available: Oct. 25, 2021, [retrieved May 18, 2022], Retrieved from Internet, URL: <https://www.amazon.com/dp/B09H2WF8TY/ref=sspa_dk_detail_3?pd_rd_i=B09H2WF8TY&pd_rd_w=xa0tw&pf_rd_p=57cbdc41-b731-4e3d-aca7-49%E2%80%A6&th=1> (Year: 2021).*

* cited by examiner

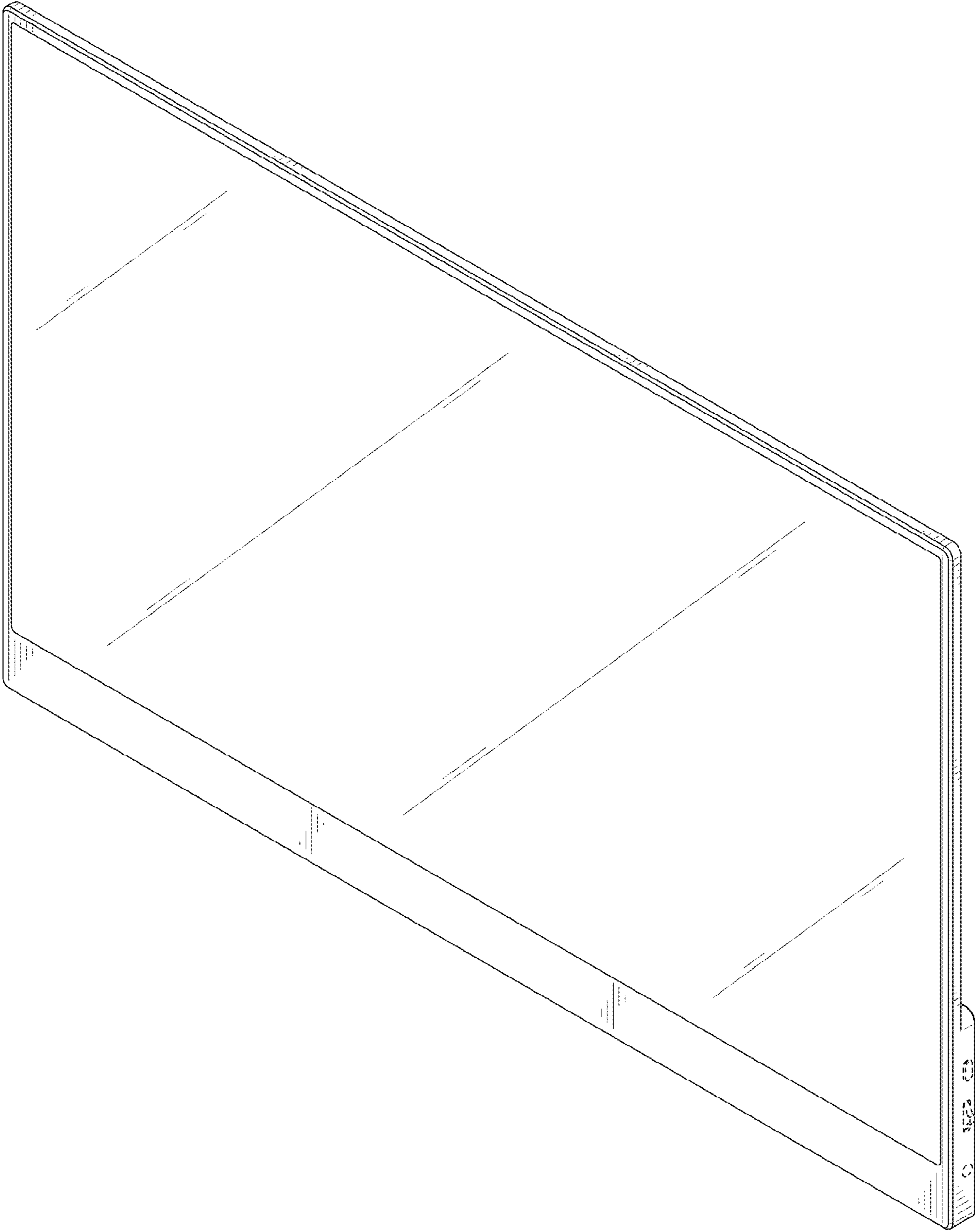


FIG. 1

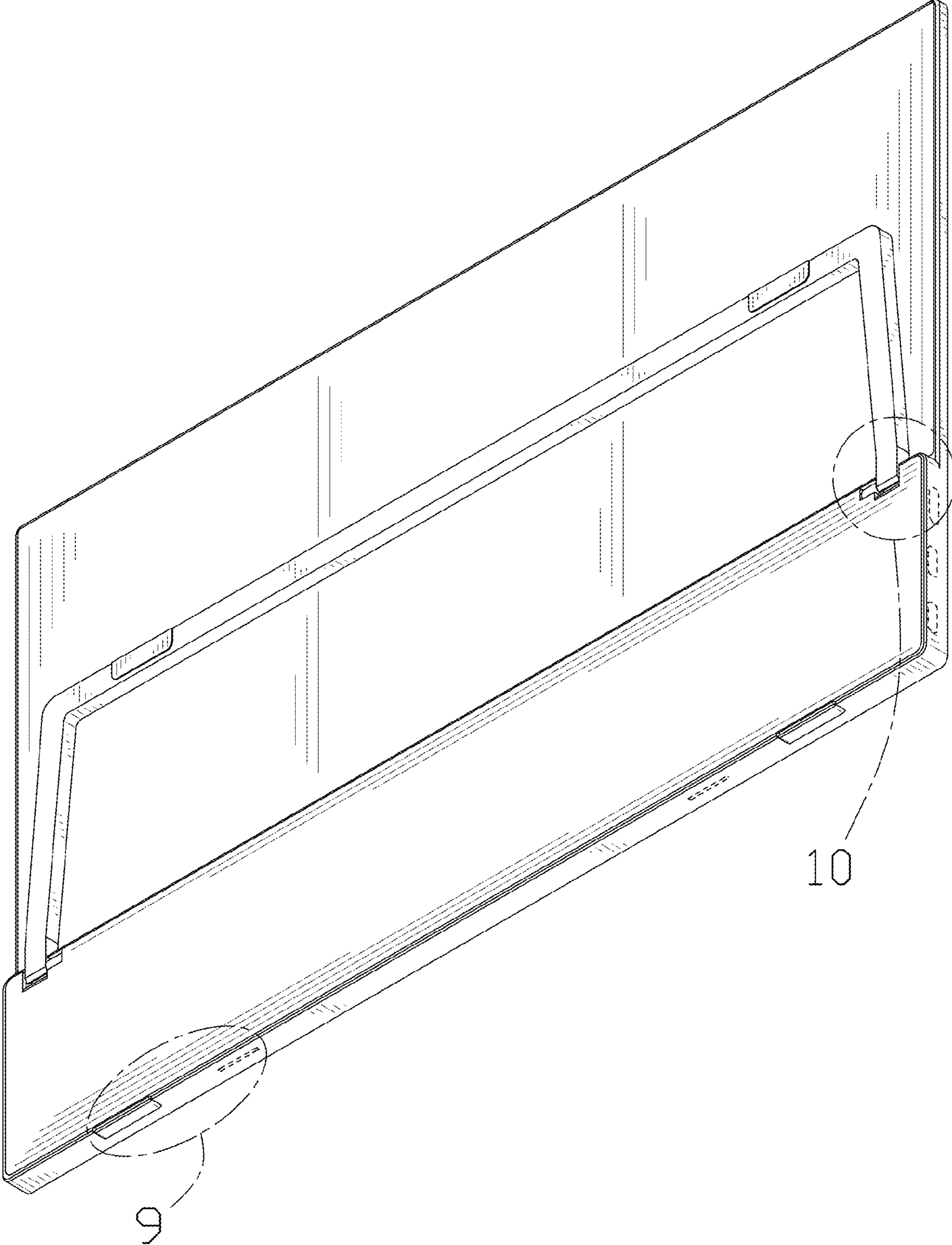


FIG. 2

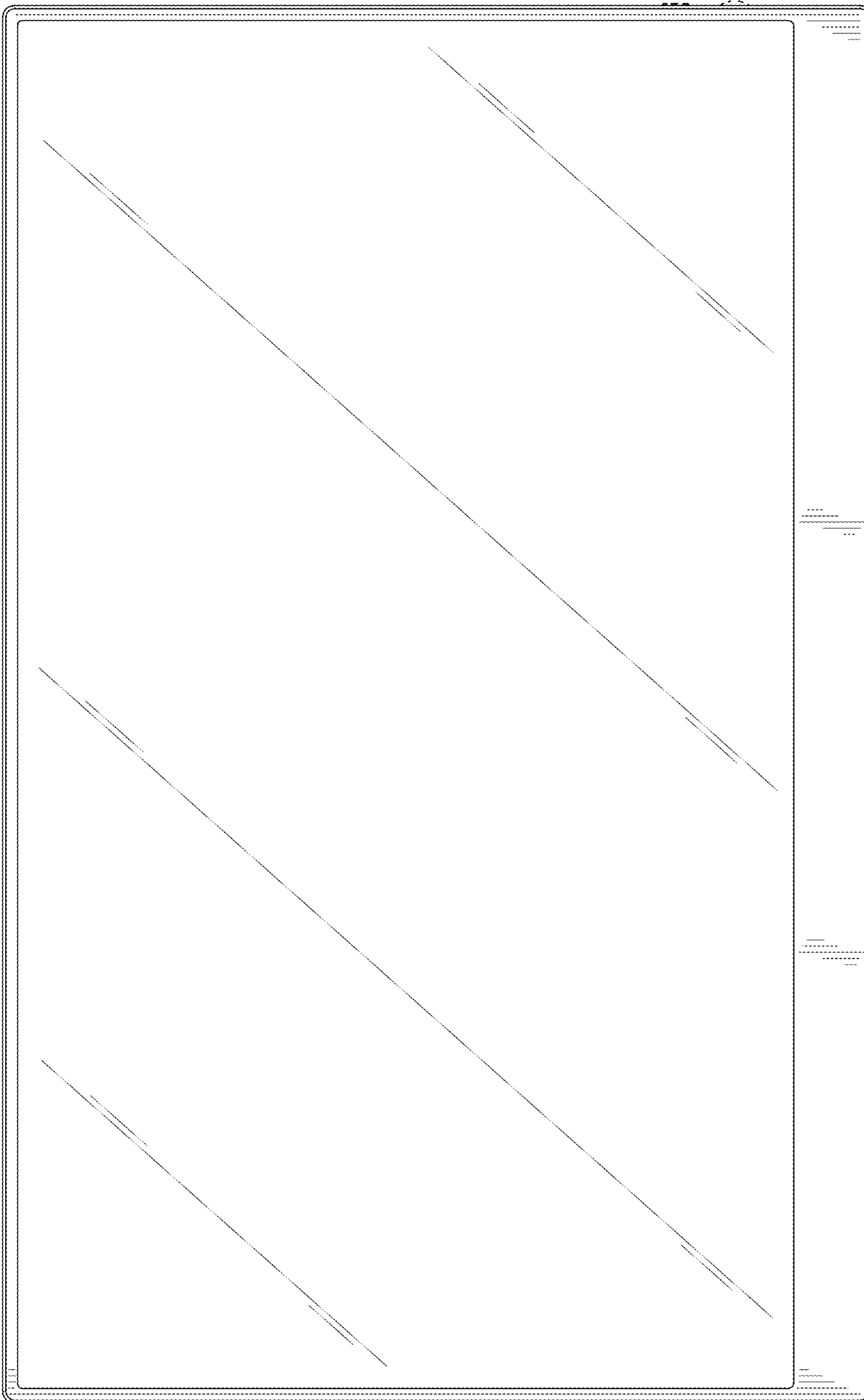


FIG. 3

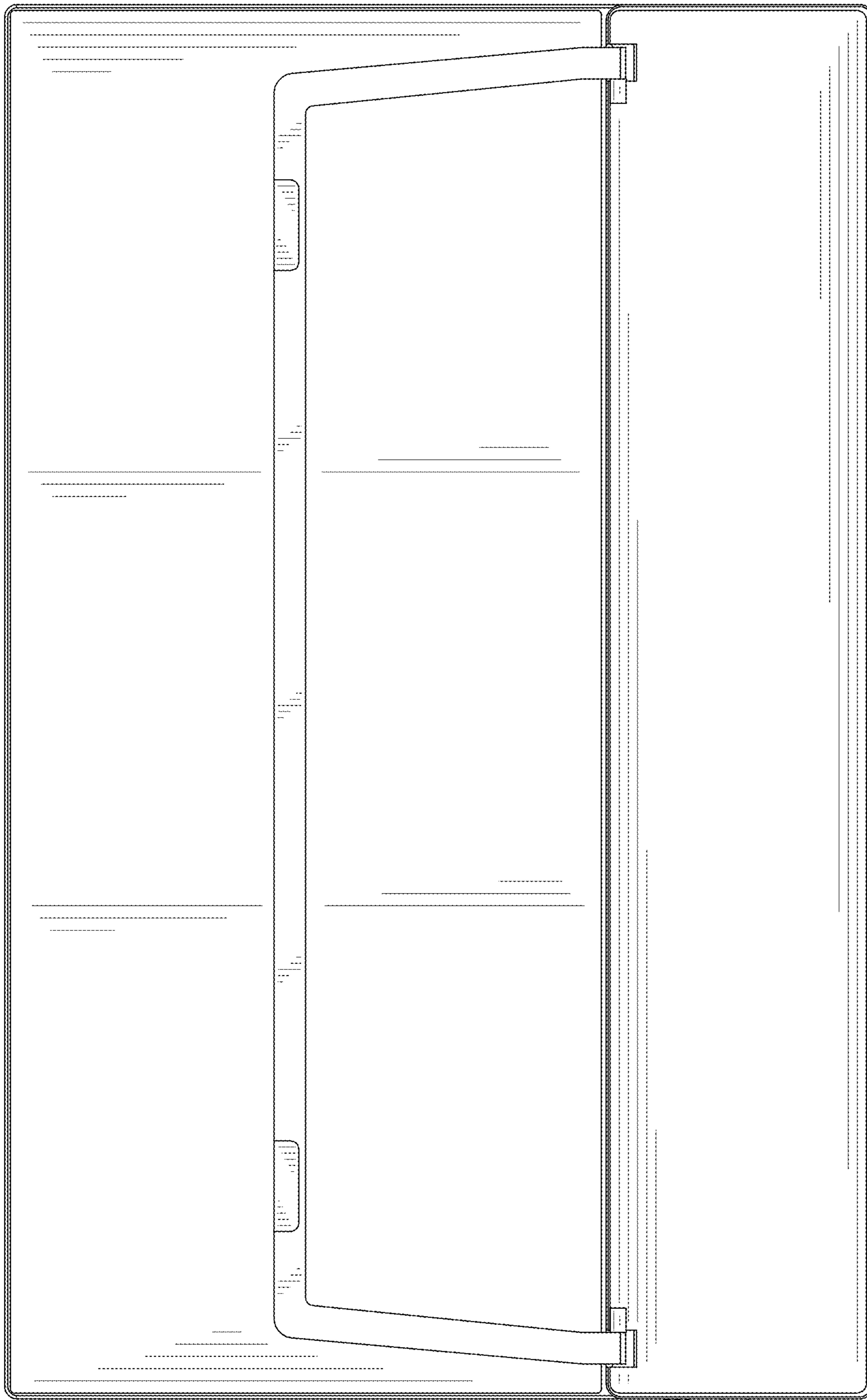


FIG. 4

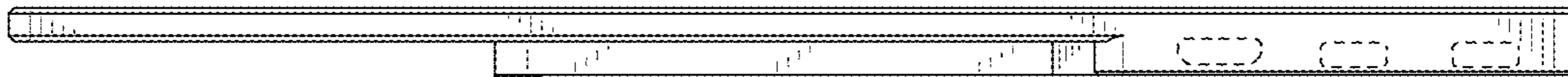


FIG. 5



FIG. 6

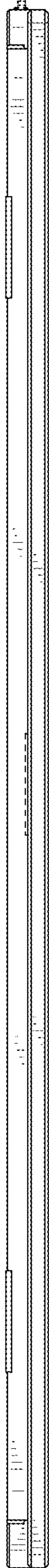


FIG. 7



FIG. 8

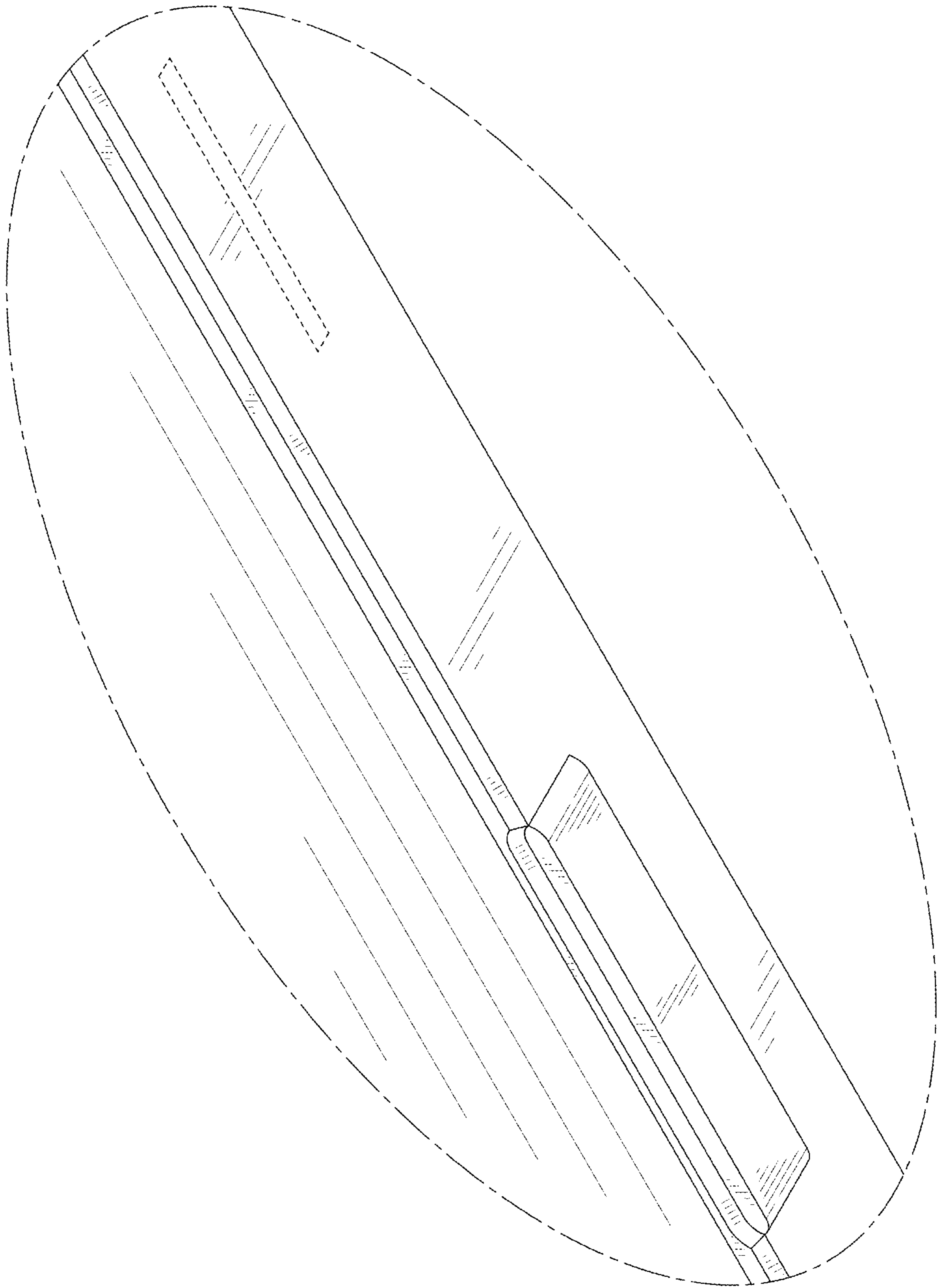


FIG. 9

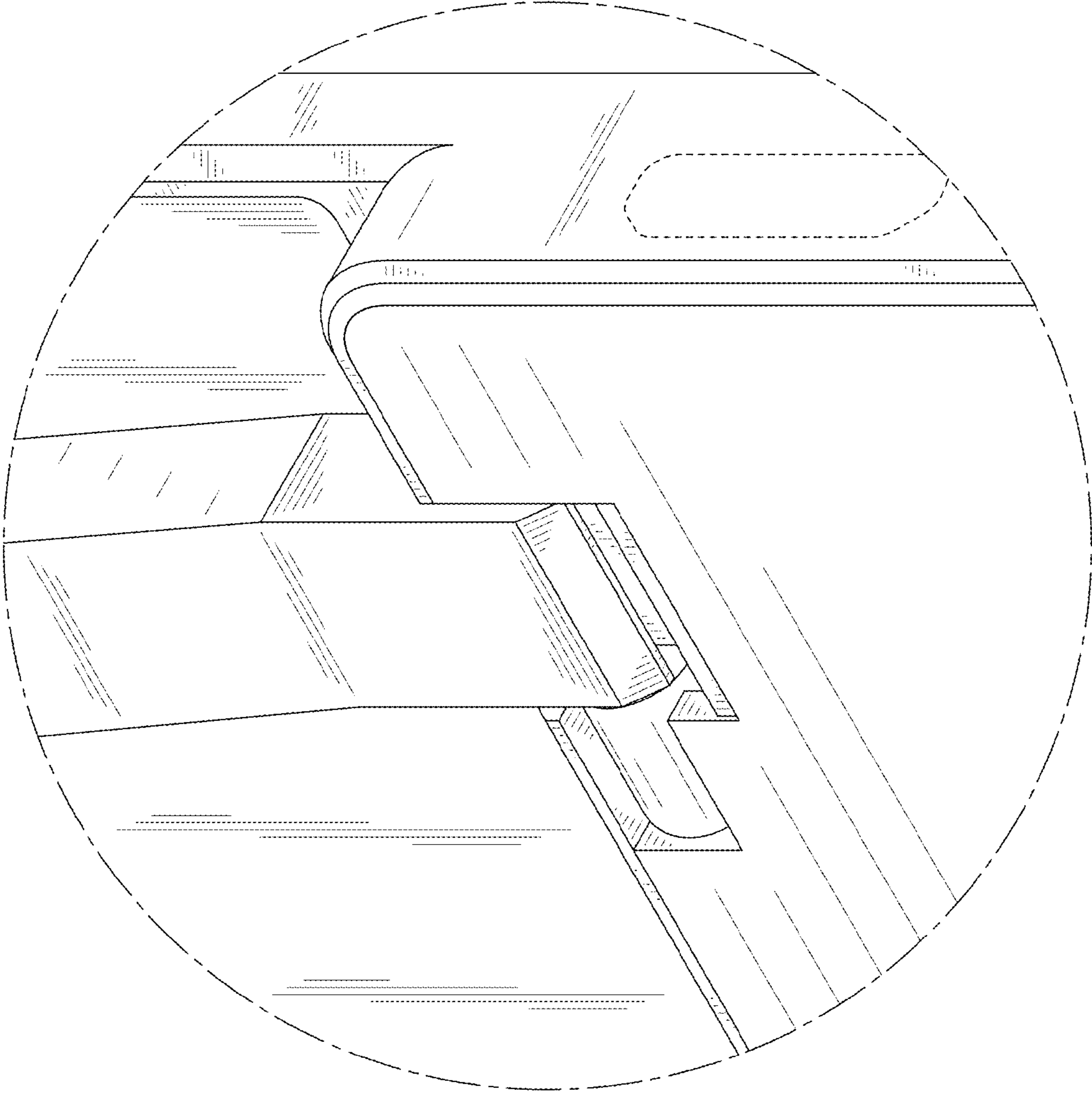


FIG. 10