



US00D984990S

(12) **United States Design Patent**
Peng et al.

(10) **Patent No.:** **US D984,990 S**
(45) **Date of Patent:** **** May 2, 2023**

(54) **PHONE HOLDER**

(71) Applicant: **WINNERS' SUN PLASTIC & ELECTRONIC (SHENZHEN) CO., LTD.**, Shenzhen (CN)

(72) Inventors: **Yi Bing Peng**, Shenzhen (CN); **Laiyi Chen**, Shenzhen (CN); **Yiyou Pan**, Shenzhen (CN)

(73) Assignee: **WINNERS' SUN PLASTIC & ELECTRONIC (SHENZHEN) CO., LTD.**, Shenzhen (CN)

(**) Term: **15 Years**

(21) Appl. No.: **29/808,373**

(22) Filed: **Sep. 18, 2021**

(30) **Foreign Application Priority Data**

Apr. 12, 2021 (CN) 202130204055.5

(51) **LOC (14) Cl.** **14-03**

(52) **U.S. Cl.**

USPC **D14/253**

(58) **Field of Classification Search**

USPC D14/251-253, 447; D13/108; D12/415

CPC H04M 1/04; H04M 1/21; H04M 1/06;

H04M 1/12; G06F 1/1632; G06F 1/203;

G06F 1/1628

See application file for complete search history.

(56) **References Cited**

U.S. PATENT DOCUMENTS

D903,652 S * 12/2020 Qiu D14/253

D910,612 S * 2/2021 Xiao D14/253

D916,694 S *	4/2021	Xiao	D14/253
D931,270 S *	9/2021	Qiu	D14/253
D936,645 S *	11/2021	Deng	D12/114
D946,565 S *	3/2022	Liu	D3/218
D947,168 S *	3/2022	Jiao	D14/253
D947,169 S *	3/2022	Jiao	D14/253
D949,842 S *	4/2022	Qiu	D12/407
D959,420 S *	8/2022	Gan	D14/253
D960,143 S *	8/2022	Wu	D14/253
D960,144 S *	8/2022	Yuan	D14/253
D960,145 S *	8/2022	Zhou	D14/253
D963,636 S *	9/2022	Gan	D14/253
D971,202 S *	11/2022	Wang	D14/253

* cited by examiner

Primary Examiner — Janice Hallmark

(57) **CLAIM**

The ornamental design for a phone holder, as shown and described.

DESCRIPTION

FIG. 1 is a perspective view of a phone holder showing our new design;

FIG. 2 is another perspective view thereof;

FIG. 3 is a front elevational view thereof;

FIG. 4 is a rear elevational view thereof;

FIG. 5 is a left side elevational view thereof;

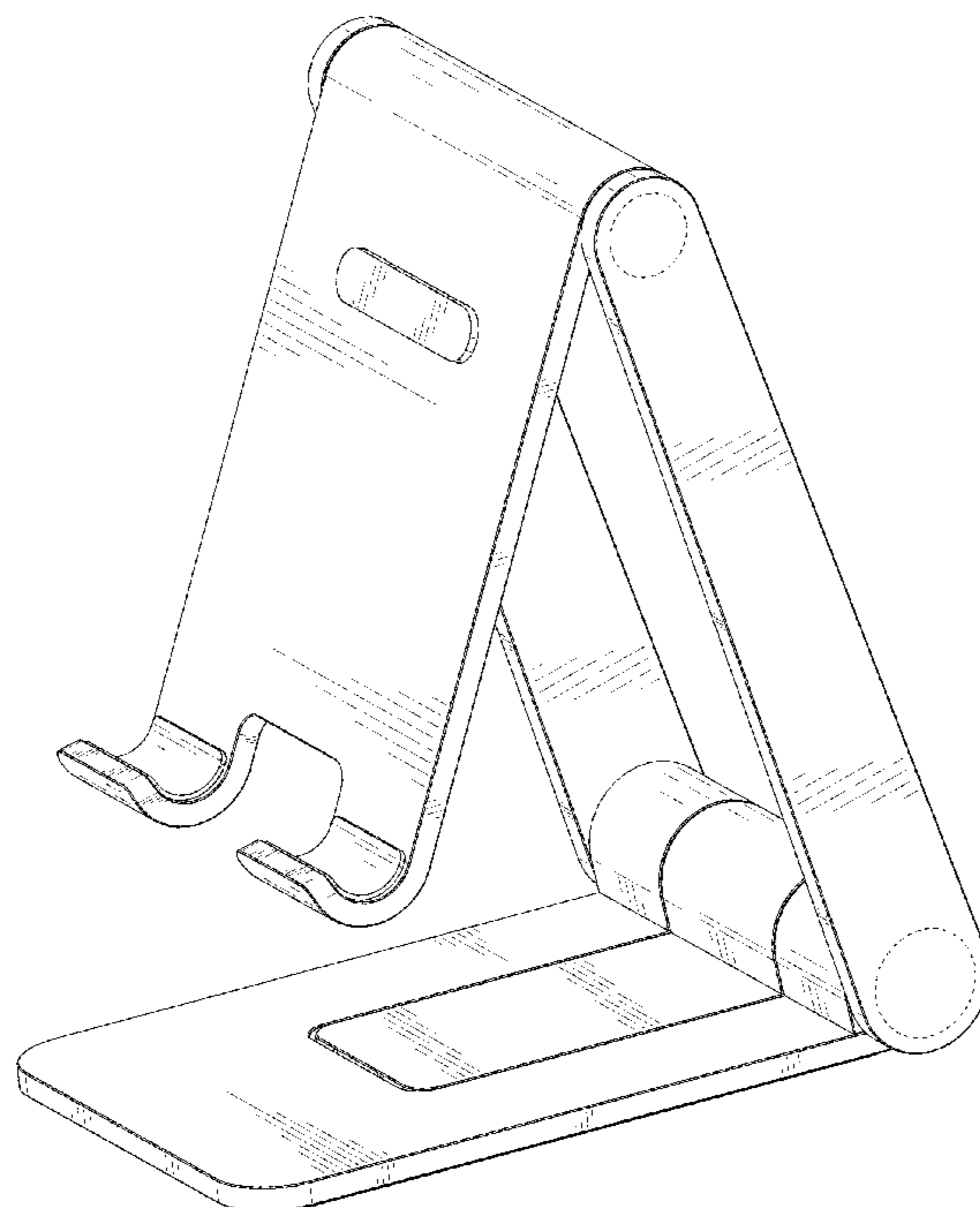
FIG. 6 is a right side elevational view thereof;

FIG. 7 is a top plan view thereof; and,

FIG. 8 is a bottom plan view thereof.

The broken lines in the drawings depict portions of the phone holder that form no part of the claimed design.

1 Claim, 8 Drawing Sheets



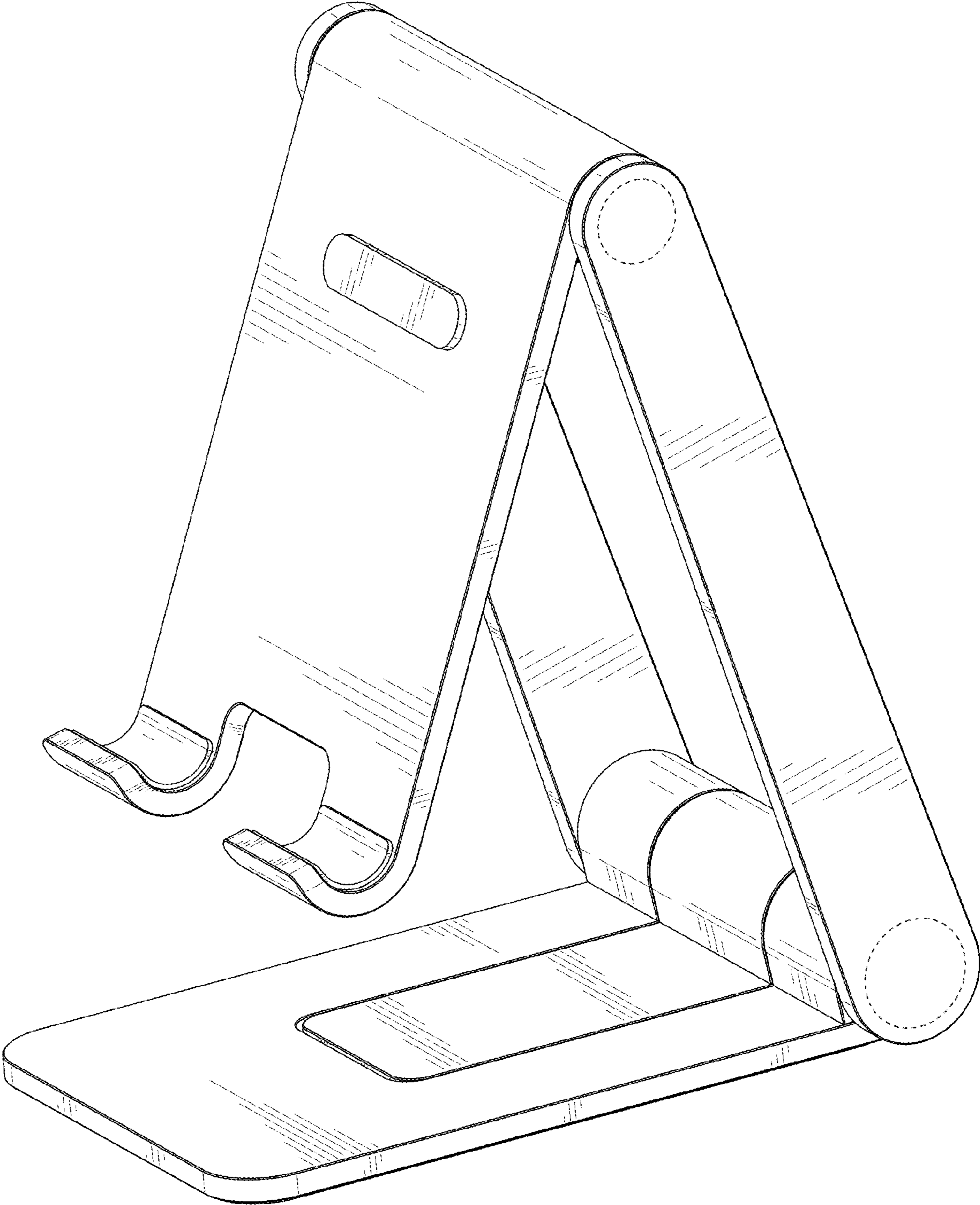


FIG. 1

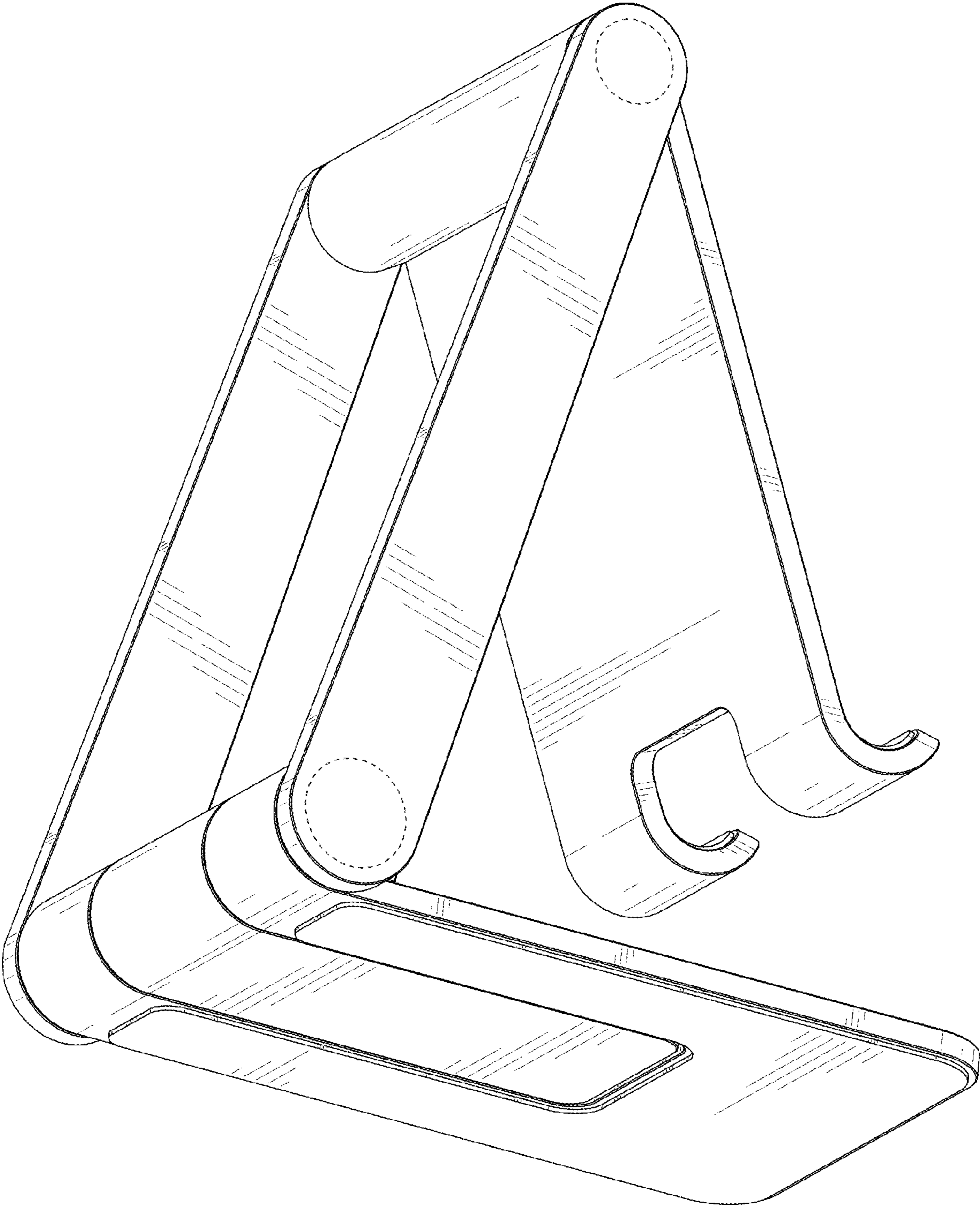


FIG. 2

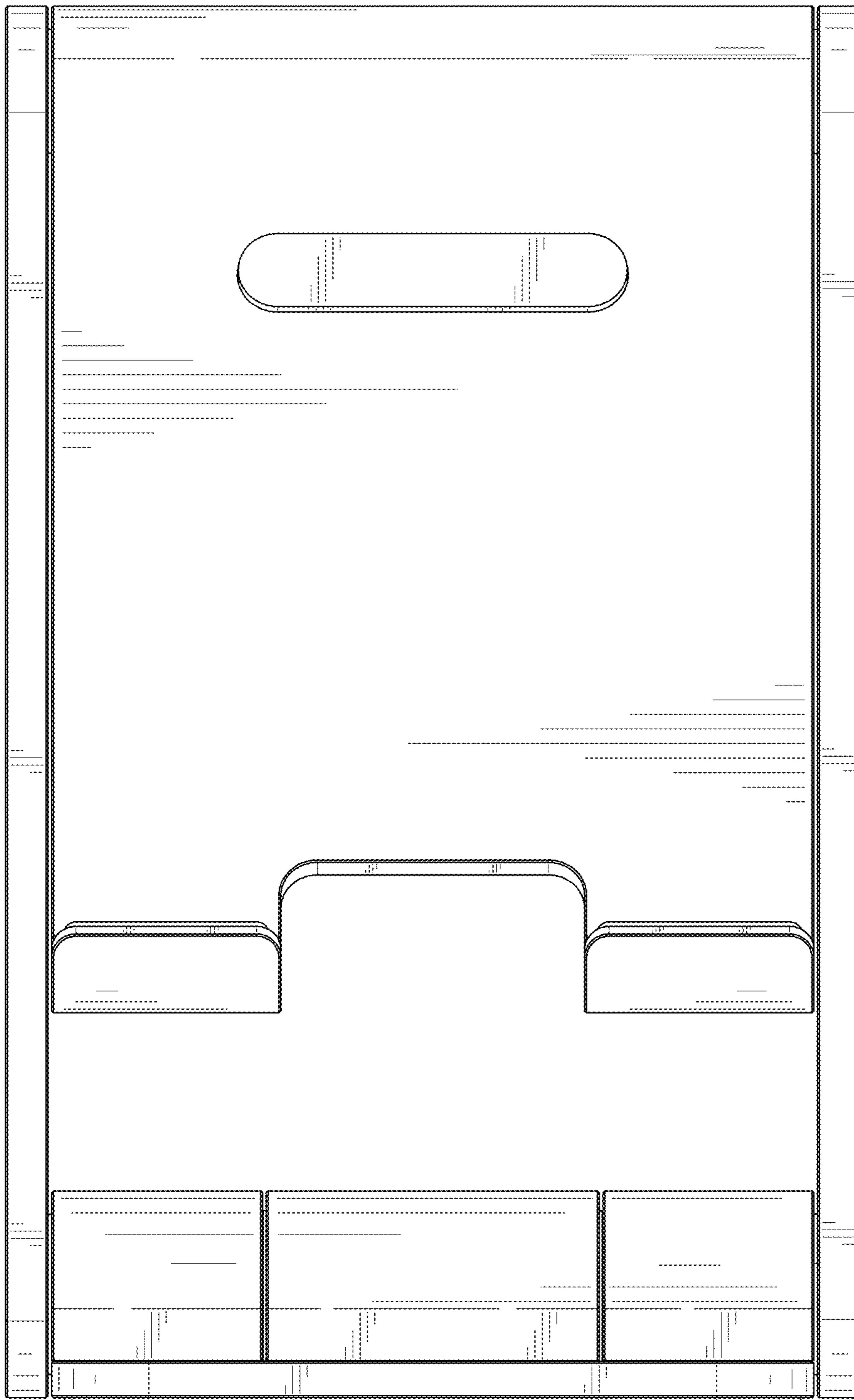


FIG. 3

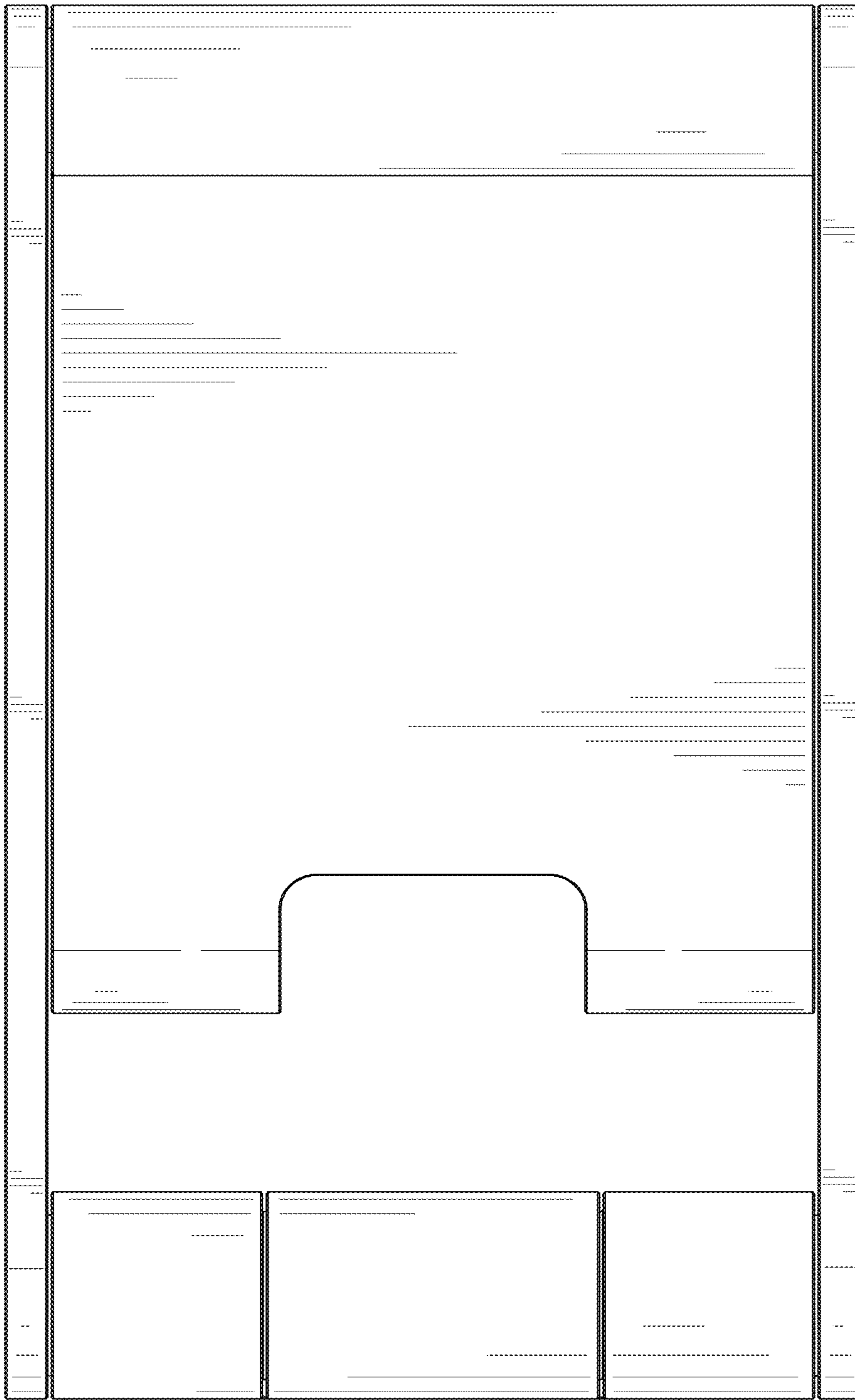


FIG. 4

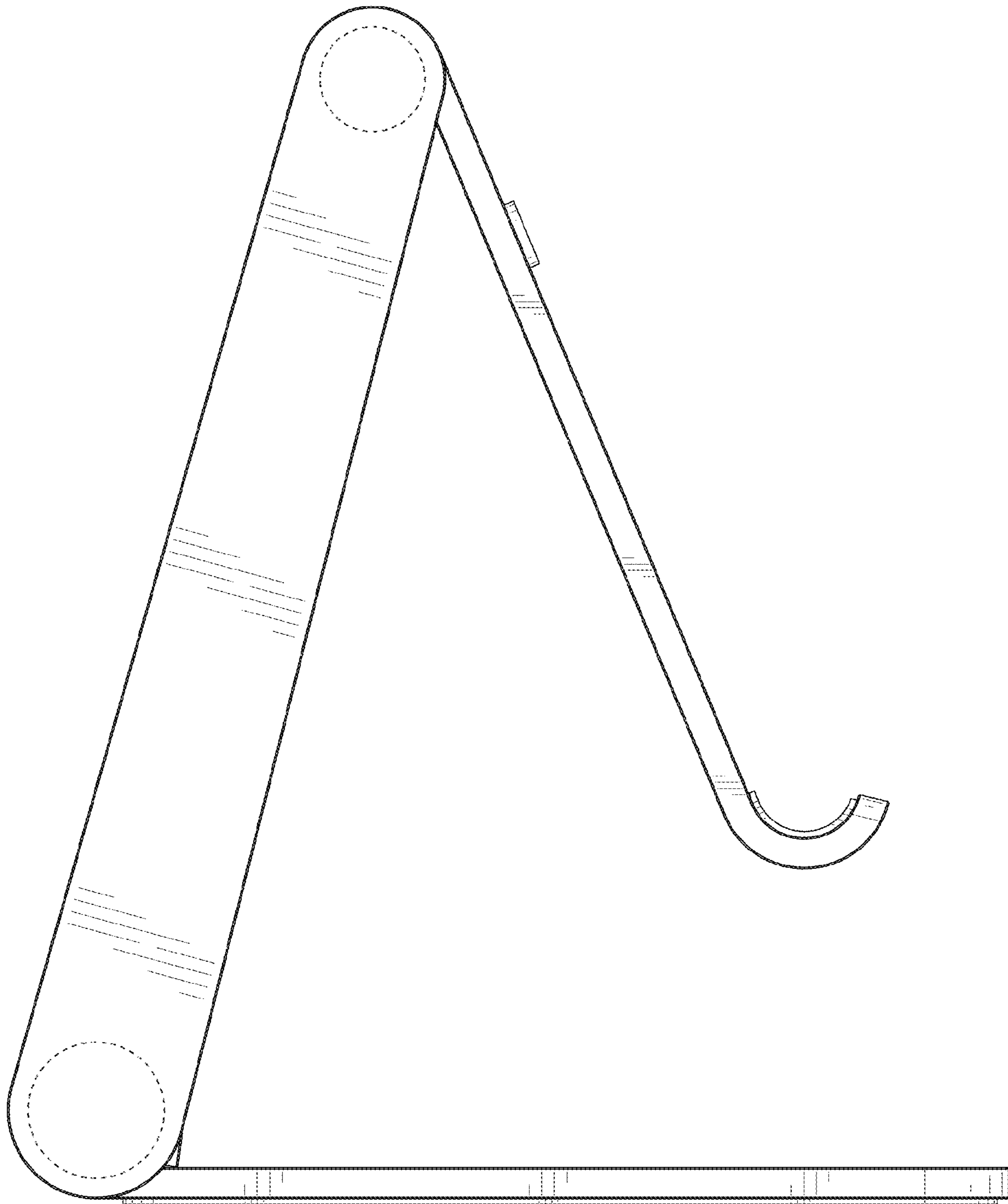


FIG. 5

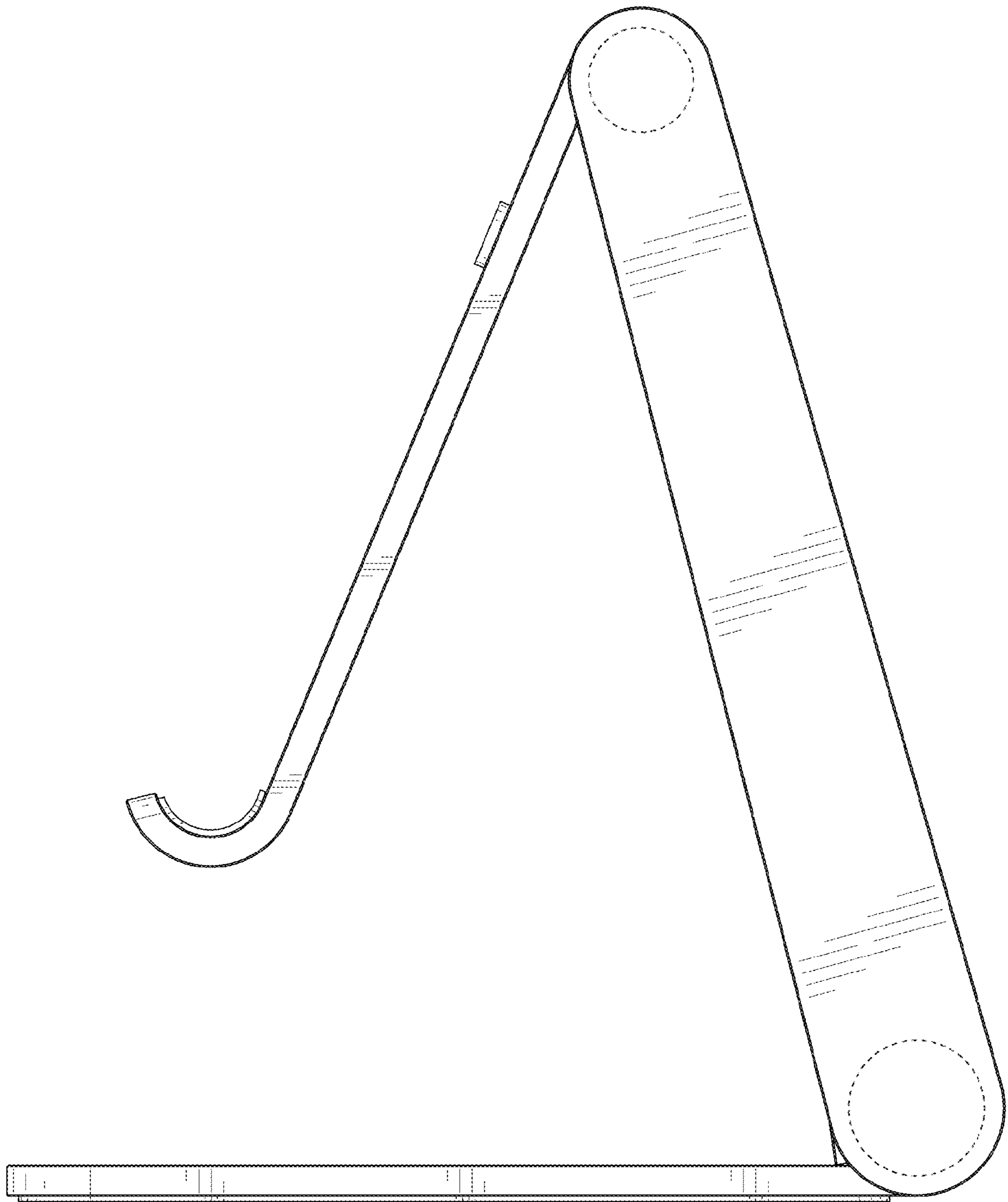


FIG. 6

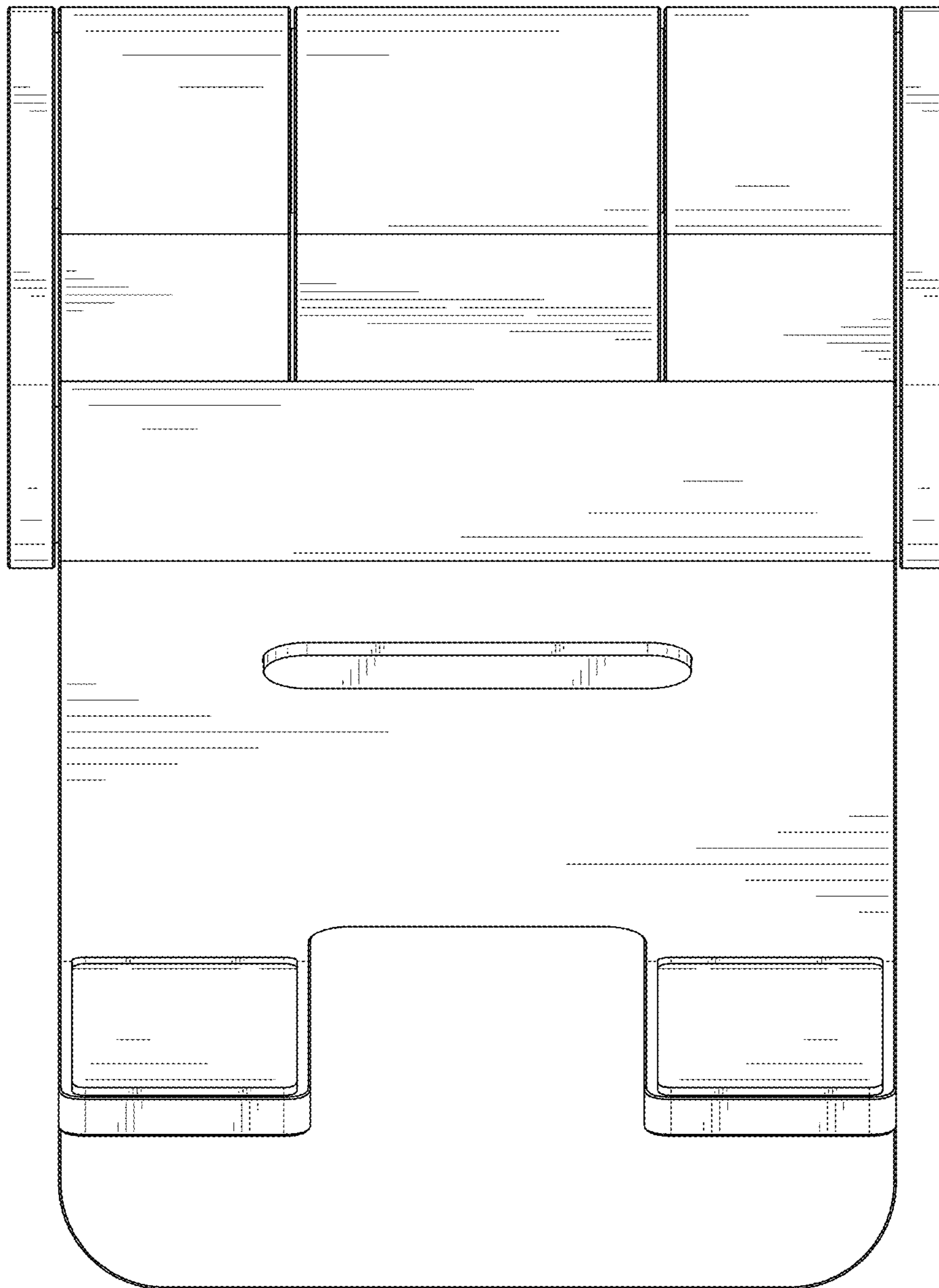


FIG. 7

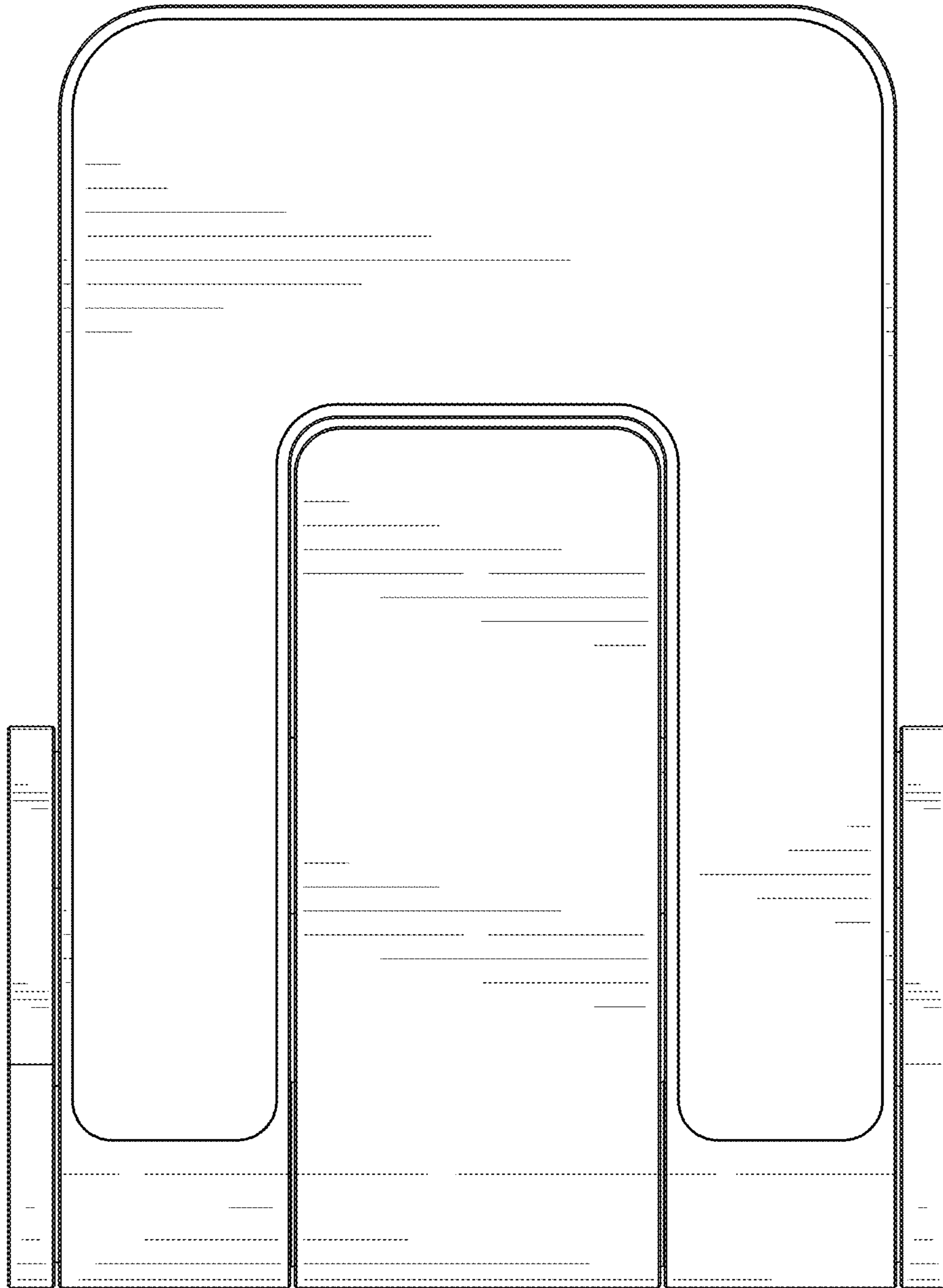


FIG. 8