



US00D984989S

(12) **United States Design Patent** (10) **Patent No.:** **US D984,989 S**
Lin (45) **Date of Patent:** **** May 2, 2023**

- (54) **MOBILE DEVICE STAND**
- (71) Applicants: **SOLUTION EXPERT 33 INTERNATIONAL CO., LTD.,**
Tortola (VG); **Po-Hsun Lin**
- (72) Inventor: **Ben-Tien Lin**, New Taipei (TW)
- (73) Assignees: **Solution Expert 33 International Co., Ltd.,** Tortola (VG); **Po-Hsun Lin**, New Taipei (TW)
- (**) Term: **15 Years**
- (21) Appl. No.: **29/784,618**
- (22) Filed: **May 20, 2021**
- (30) **Foreign Application Priority Data**
Apr. 19, 2021 (CN) 202130221962.0
- (51) **LOC (14) Cl.** **14-03**
- (52) **U.S. Cl.**
USPC **D14/253**
- (58) **Field of Classification Search**
USPC D14/251-253, 447; D13/108; D12/415
CPC H04M 1/04; H04M 1/21; H04M 1/06;
H04M 1/12; G06F 1/1632; G06F 1/203;
G06F 1/1628
See application file for complete search history.

- (56) **References Cited**
U.S. PATENT DOCUMENTS
D903,652 S * 12/2020 Qiu D14/253
D910,612 S * 2/2021 Xiao D14/253
D916,694 S * 4/2021 Xiao D14/253
D931,270 S * 9/2021 Qiu D14/253
D936,645 S * 11/2021 Deng D12/114
D946,565 S * 3/2022 Liu D3/218
D947,168 S * 3/2022 Jiao D14/253
D947,169 S * 3/2022 Jiao D14/253

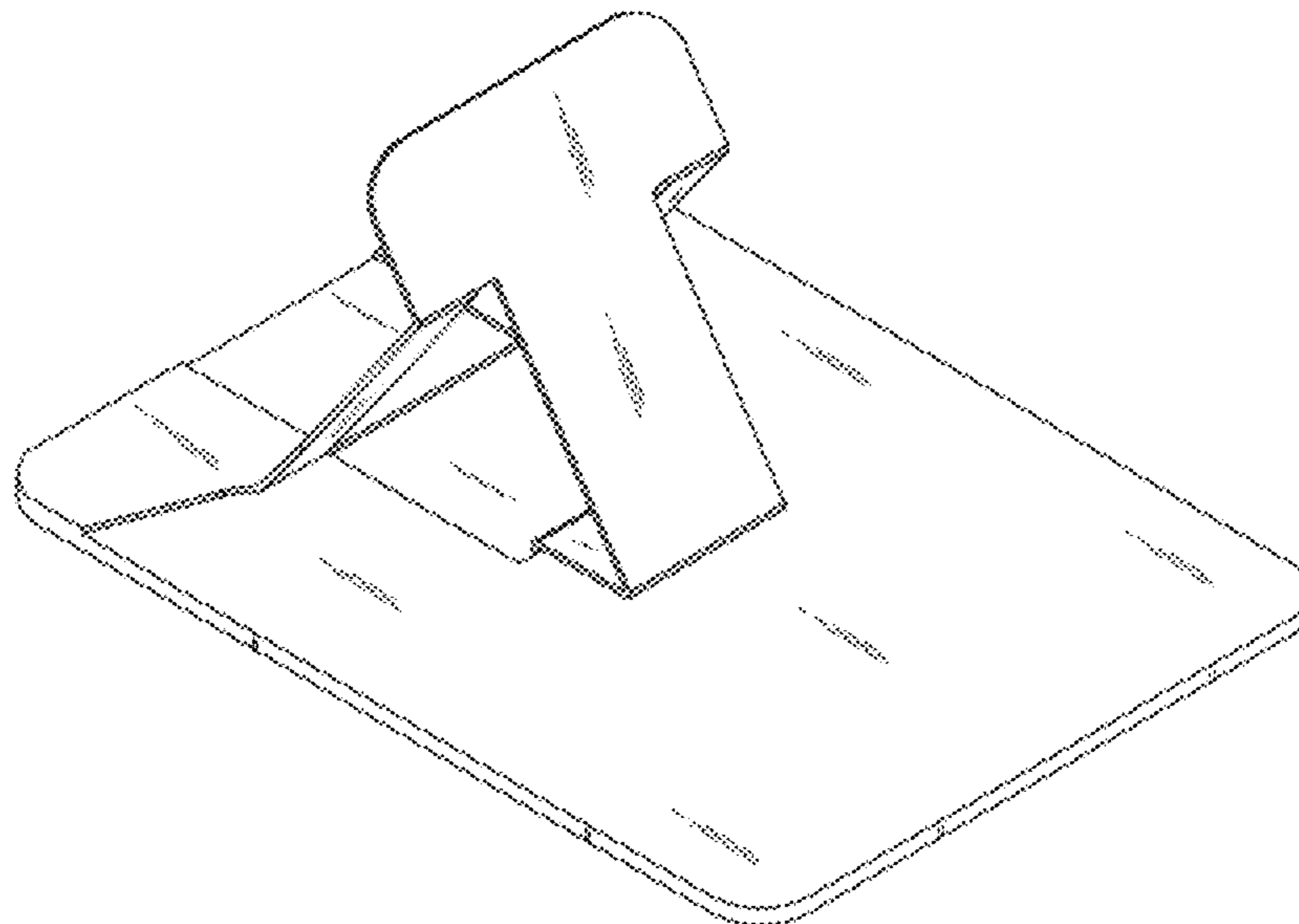
- D949,842 S * 4/2022 Qiu D12/407
 - D959,420 S * 8/2022 Gan D14/253
 - D960,143 S * 8/2022 Wu D14/253
 - D960,144 S * 8/2022 Yuan D14/253
 - D960,145 S * 8/2022 Zhou D14/253
- (Continued)

Primary Examiner — Janice Hallmark
(74) *Attorney, Agent, or Firm* — Rosenberg, Klein & Lee

(57) **CLAIM**
The ornamental design for a mobile device stand, as shown and described.

DESCRIPTION
FIG. 1 is a front view of a mobile device stand;
FIG. 2 is a rear view of the mobile device stand in FIG. 1;
FIG. 3 is a left-side view of the mobile device stand in FIG. 1;
FIG. 4 is a right-side view of the mobile device stand in FIG. 1;
FIG. 5 is a top view of the mobile device stand shown in FIG. 1;
FIG. 6 is a bottom view of the mobile device stand shown in FIG. 1;
FIG. 7 is a perspective view of the mobile device stand in FIG. 1 after being folded;
FIG. 8 is another perspective view of the mobile device stand in FIG. 1 after being folded;
FIG. 9 is another perspective view of the mobile device stand in FIG. 1 after being folded;
FIG. 10 is a perspective view of the mobile device stand when in use; and,
FIG. 11 is another perspective view of the mobile device stand when in use.
The broken lines in FIG. 2 illustrate portions of the mobile device stand and form no part of the claimed design. The broken lines in FIGS. 10 and 11 depict environmental subject matter and form no part of the claimed design.

1 Claim, 9 Drawing Sheets



(56)

References Cited

U.S. PATENT DOCUMENTS

D963,636 S * 9/2022 Gan D14/253
D971,202 S * 11/2022 Wang D14/253

* cited by examiner

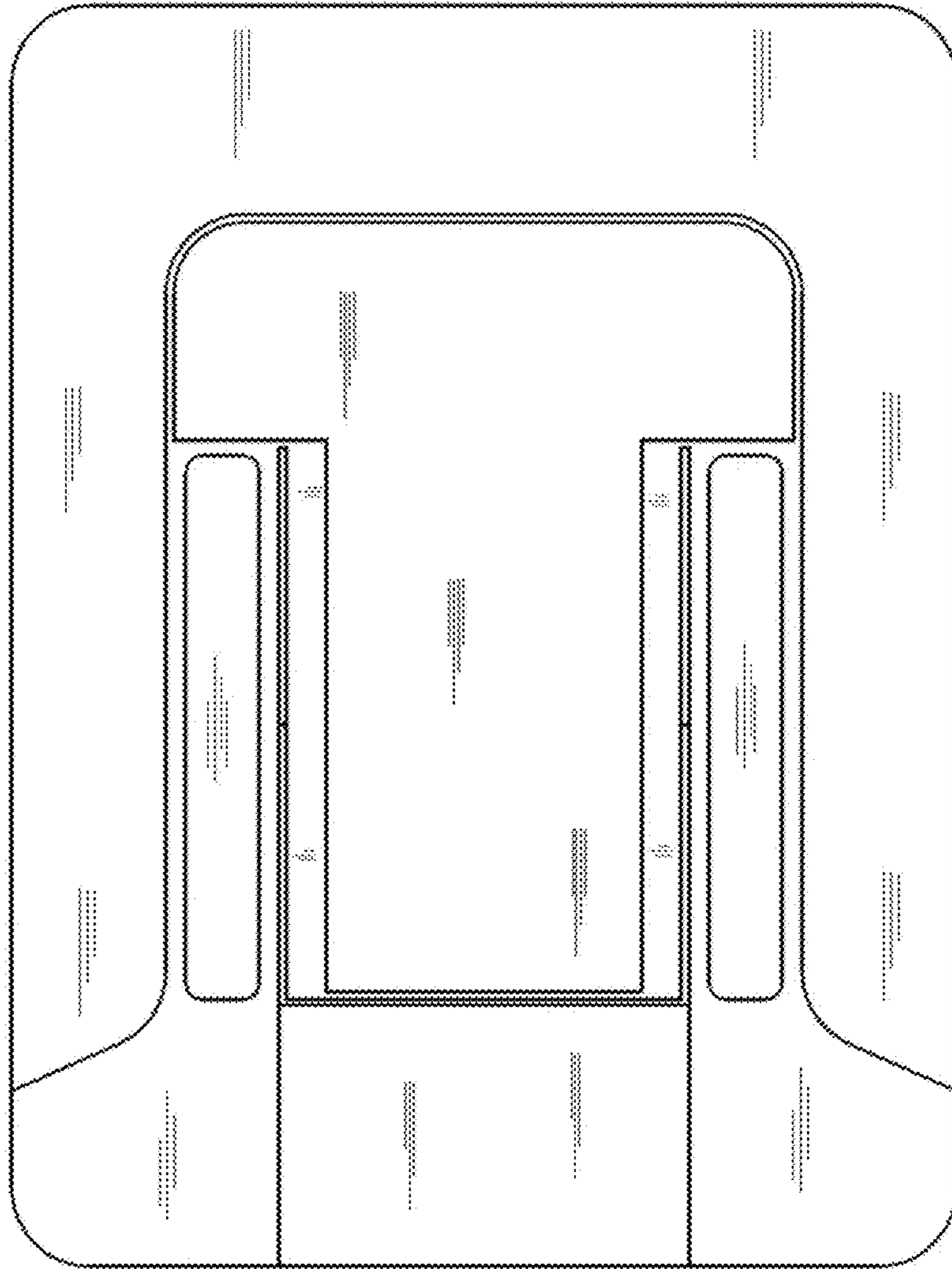


FIG.1

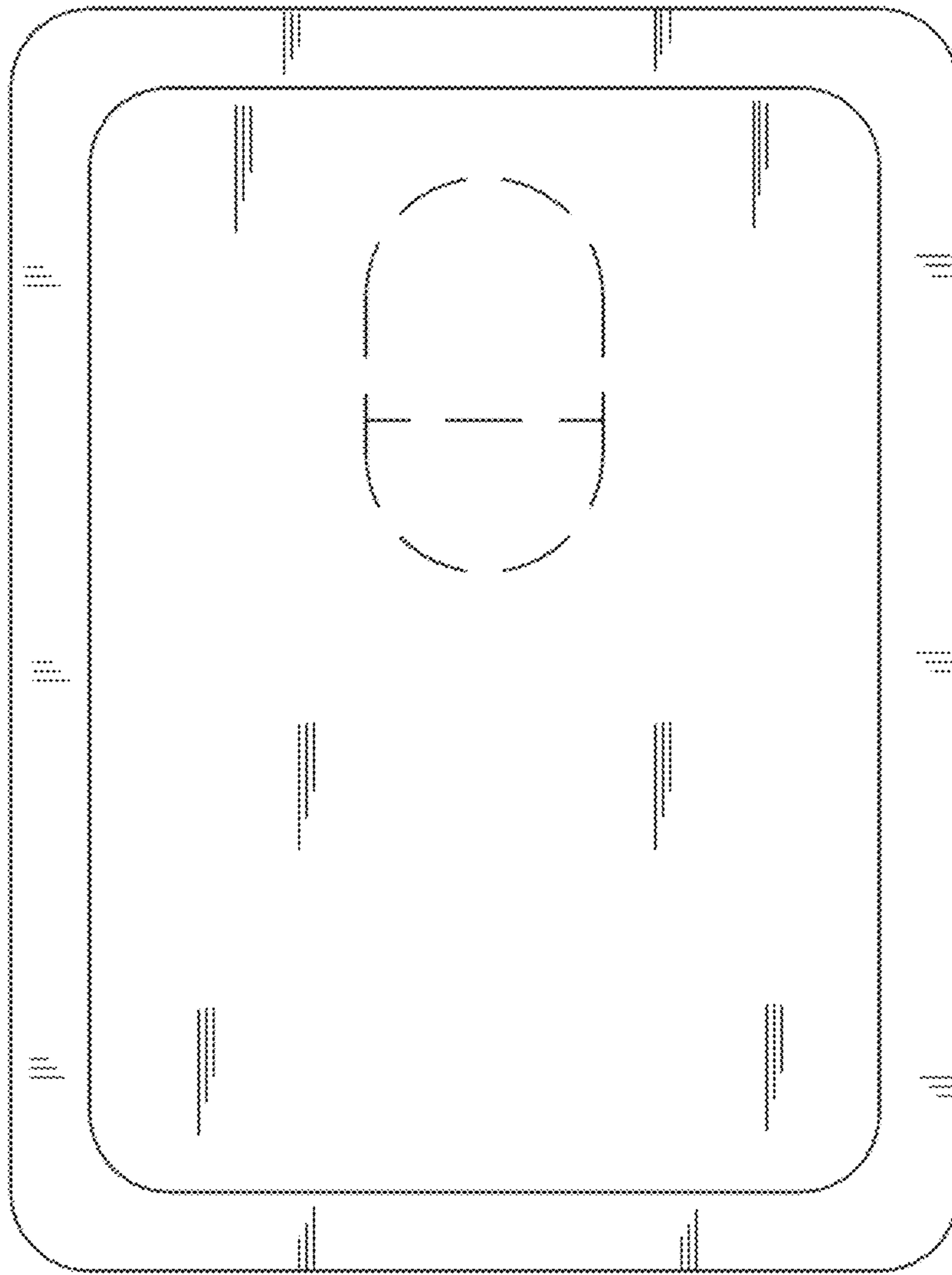


FIG. 2



FIG.3

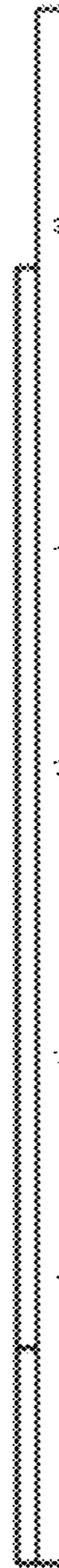


FIG.4

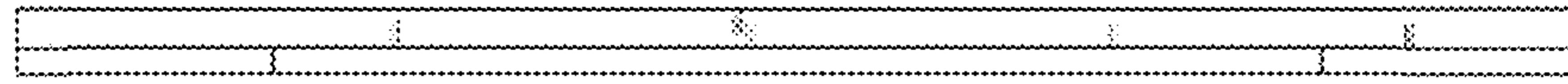


FIG.5

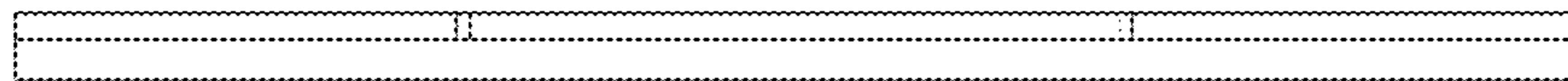


FIG.6

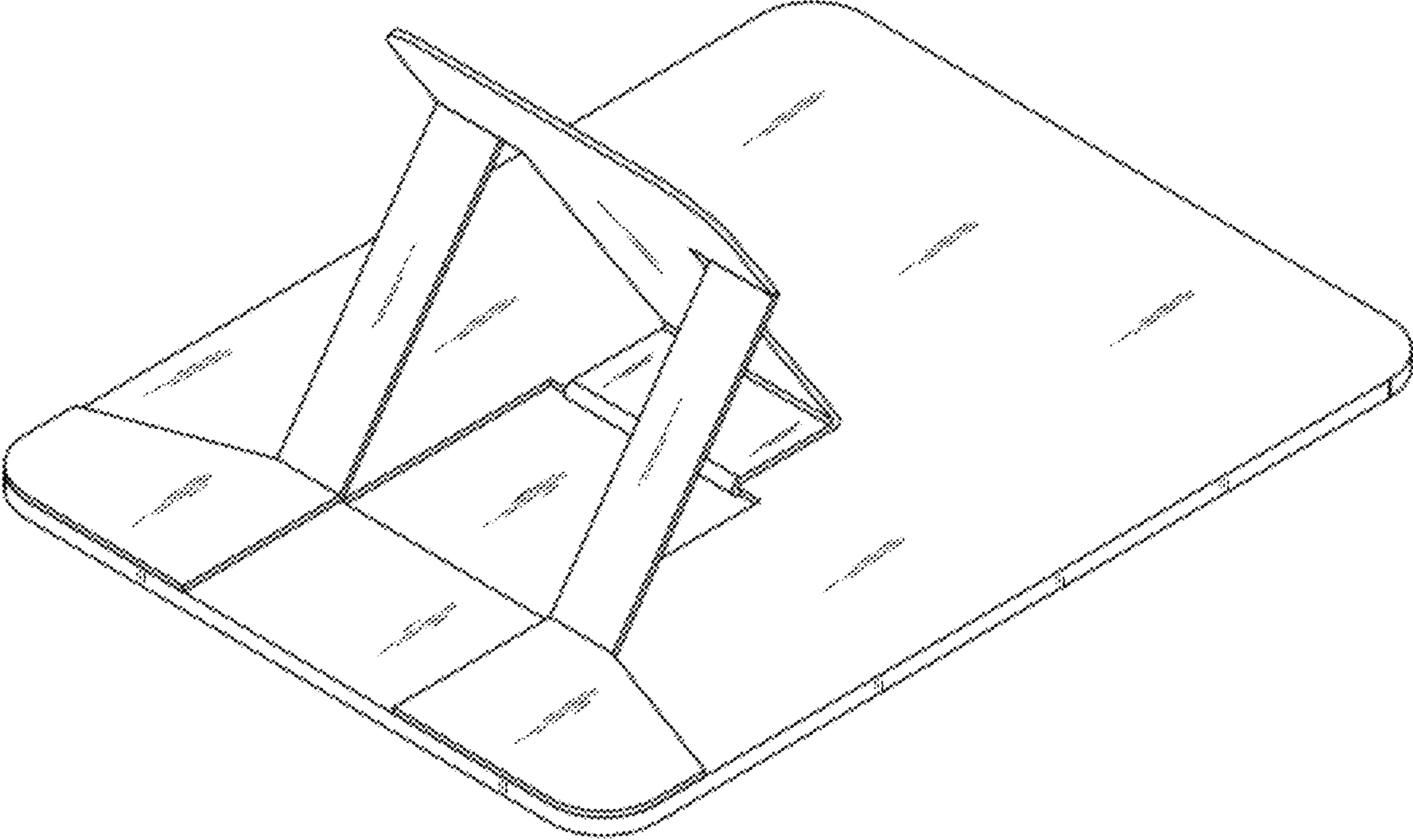


FIG.7

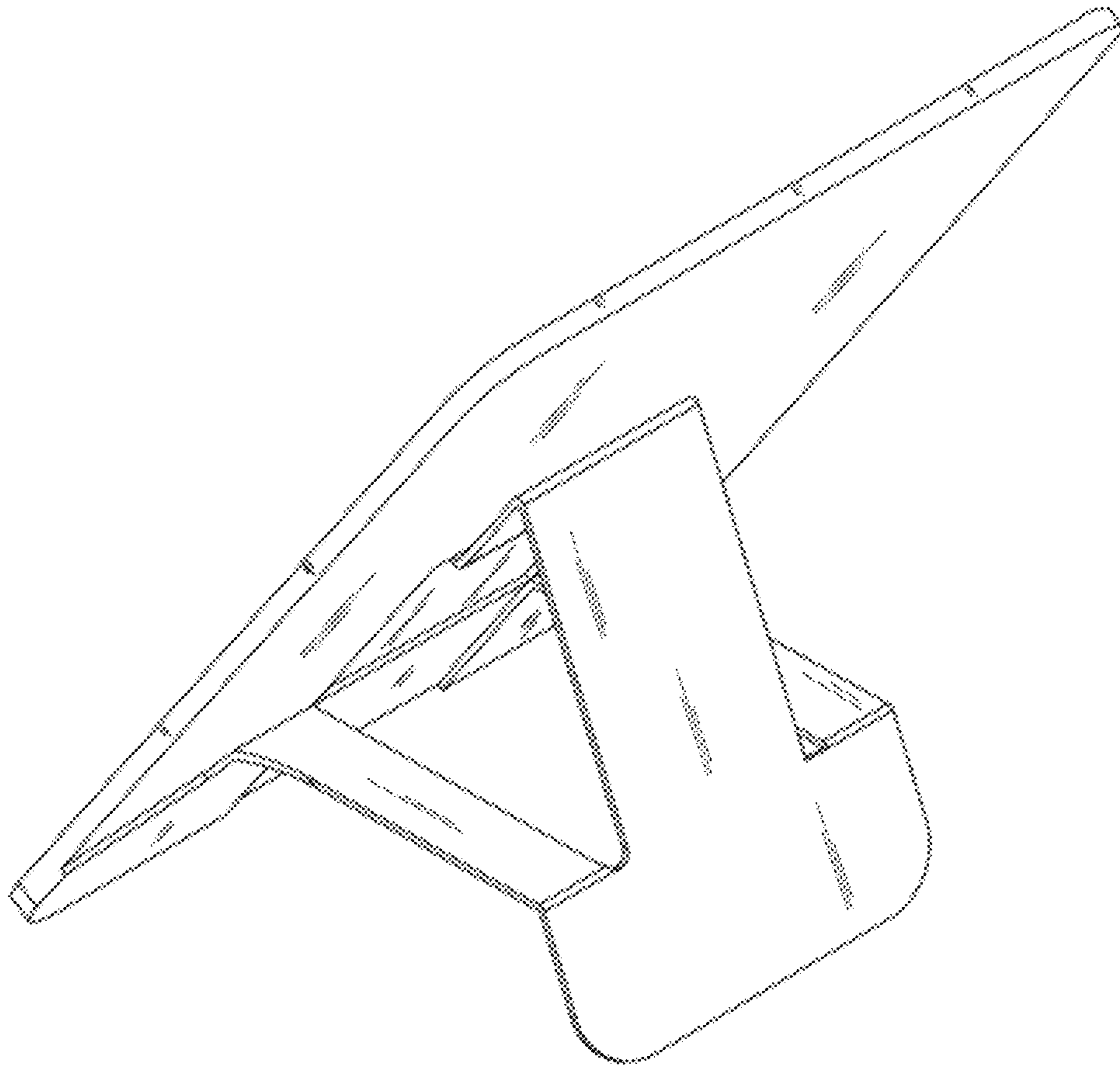


FIG.8

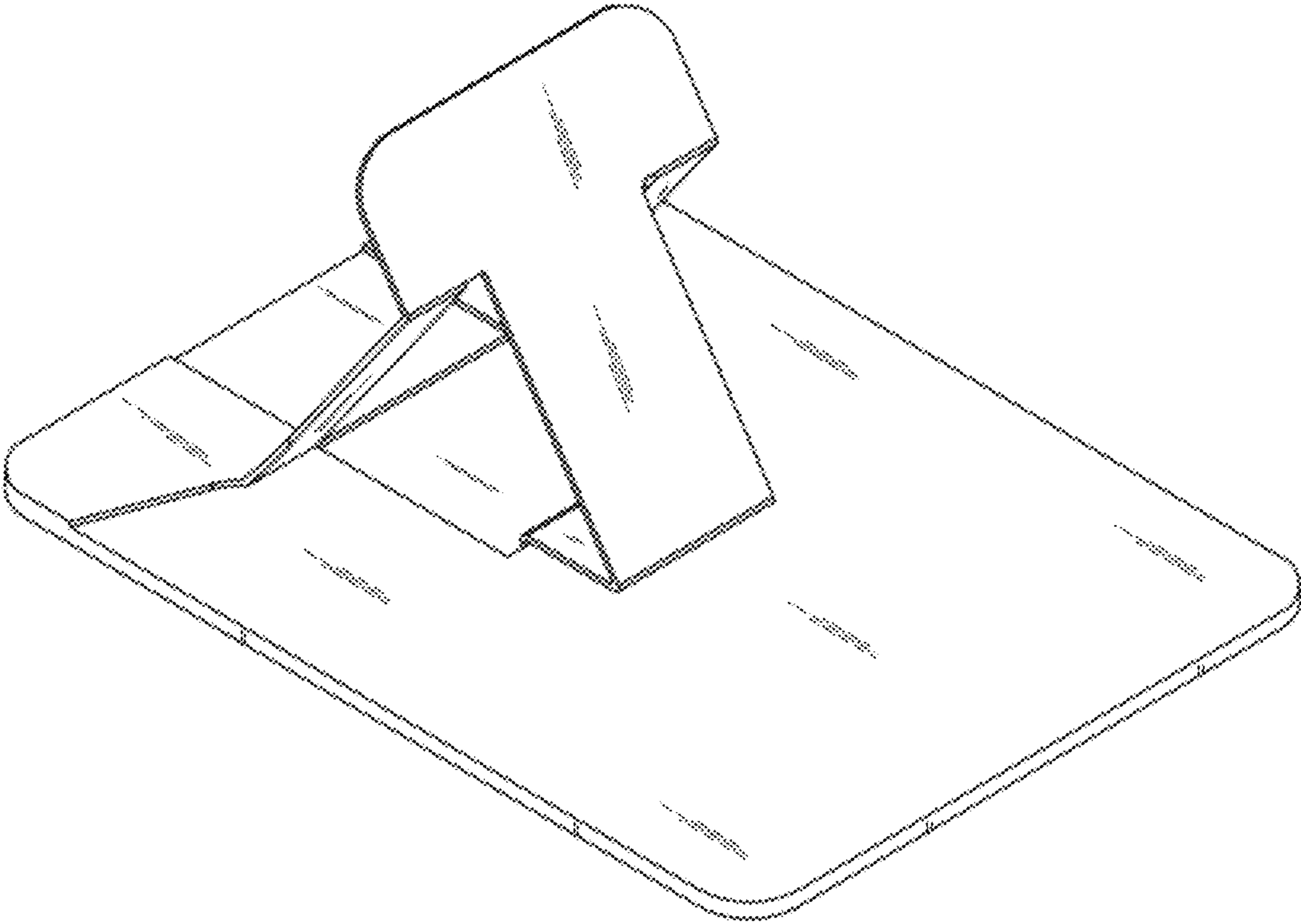


FIG.9

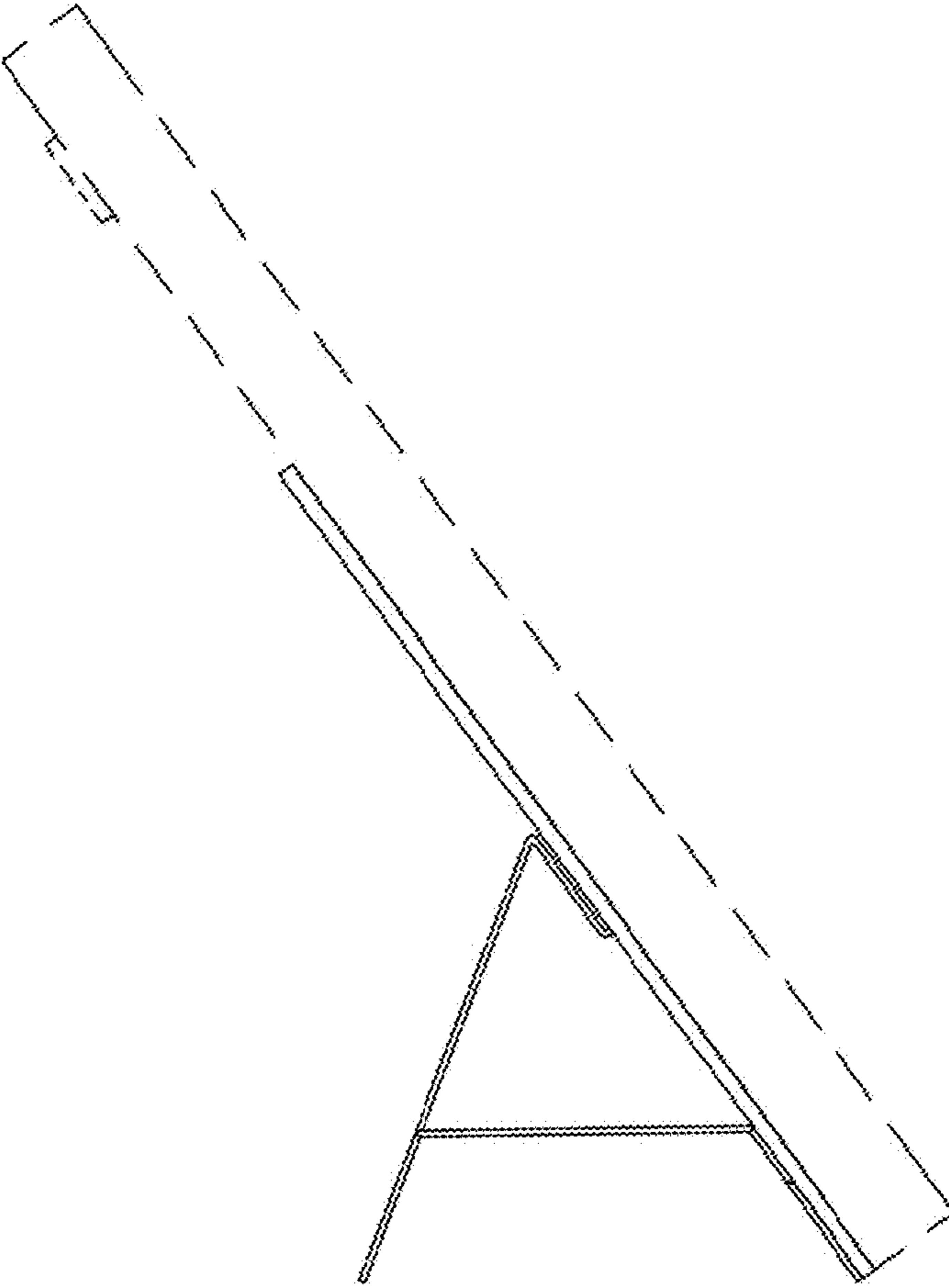


FIG.10

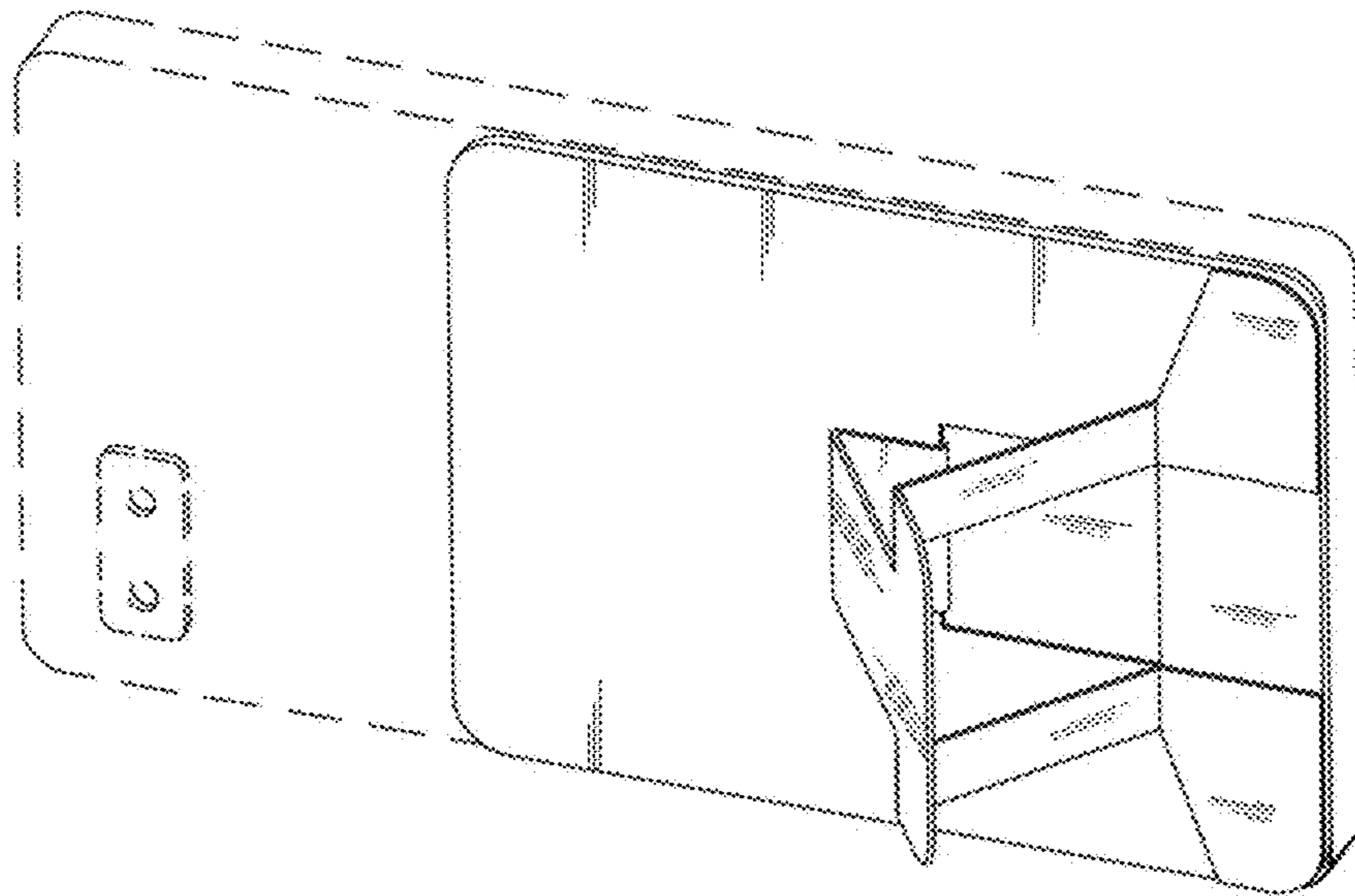


FIG.11