



US00D984985S

(12) **United States Design Patent**
Wang et al.

(10) **Patent No.:** **US D984,985 S**

(45) **Date of Patent:** **** May 2, 2023**

(54) **RADAR APPARATUS**

D738,868 S * 9/2015 Scott D14/230
D743,943 S * 11/2015 Kim D14/218
D810,059 S * 2/2018 Weber D14/230

(71) Applicant: **TRON FUTURE TECH INC.,**
Hsinchu (TW)

(Continued)

(72) Inventors: **Yu-Jiu Wang**, Hsinchu (TW);
Chia-Cheng Kung, Hsinchu (TW);
Yu-Ju Chen, Hsinchu (TW); **Boon**
How Teoh, Hsinchu (TW)

FOREIGN PATENT DOCUMENTS

CN 305820341 * 6/2020
CN 306217132 * 12/2020

(73) Assignee: **TRON FUTURE TECH INC.,**
Hsinchu (TW)

OTHER PUBLICATIONS

Garmin, "GMR 1224xHD2 Open Array Radar . . ." available at amazon.com, date first available Aug. 28, 2020, site visited Dec. 22, 2022, available at URL: <https://a.co/d/0dD3FYX> (Year: 2020).*

(**) Term: **15 Years**

Primary Examiner — Daniel J Domino

Assistant Examiner — Samina Vieth

(21) Appl. No.: **29/771,049**

(74) *Attorney, Agent, or Firm* — Birch, Stewart, Kolasch & Birch, LLP

(22) Filed: **Feb. 19, 2021**

(51) **LOC (14) Cl.** **14-03**

(52) **U.S. Cl.**
USPC **D14/230**

(57) **CLAIM**

The ornamental design for a radar apparatus, as shown and described.

(58) **Field of Classification Search**
USPC D14/218, 230, 231–240, 18, 299, 358;
D10/65–70; D22/144; D8/20, 92, 391;
D25/27

DESCRIPTION

CPC H01Q 7/00; H01Q 12/01; H01Q 19/30;
H01Q 19/12; H01Q 1/38; H01Q 1/36;
H04B 1/0475; H04B 1/034; B05K 11/00
See application file for complete search history.

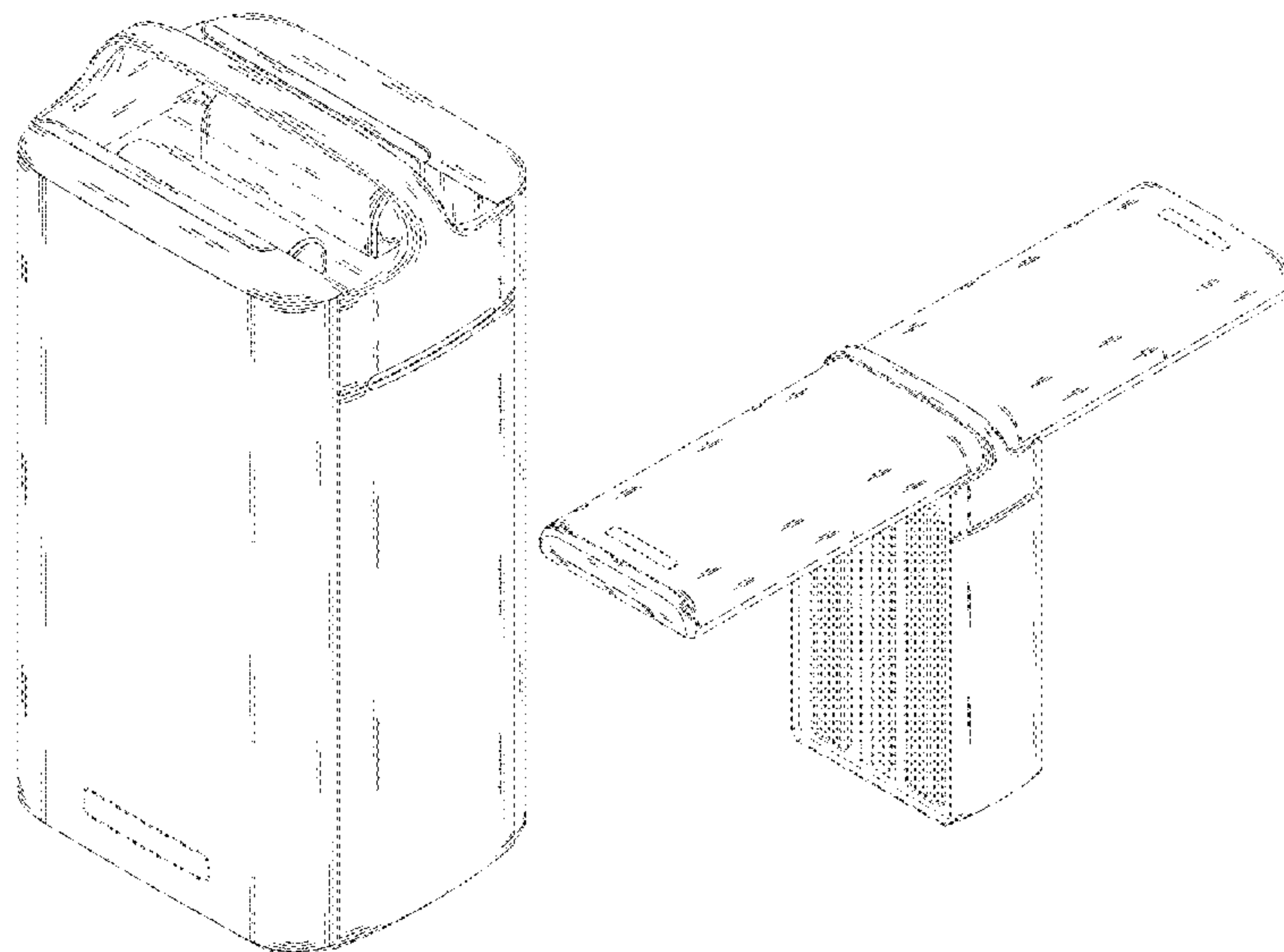
FIG. 1 is a top, front, and left side perspective view of a radar apparatus showing the new design;
FIG. 2 is a front view thereof;
FIG. 3 is a rear view thereof;
FIG. 4 is a left side view thereof;
FIG. 5 is a right side view thereof;
FIG. 6 is a top view thereof;
FIG. 7 is a bottom view thereof;
FIG. 8 is a bottom, rear, and right side perspective view thereof;
FIG. 9 is a top, front, and left side perspective view of the subject design in a deployed state; and,
FIG. 10 is a bottom, rear, and right side perspective view of the subject design in a deployed state.
Features shown in broken lines in the drawings form no part of the claimed design.

(56) **References Cited**

U.S. PATENT DOCUMENTS

D326,097 S * 5/1992 Ferrario D14/230
D470,837 S * 2/2003 Tourres D14/230
D527,378 S * 8/2006 Raymond D14/230
D531,625 S * 11/2006 Hori D14/230
D554,110 S * 10/2007 Whiteside D14/230
D561,744 S * 2/2008 Whiteside D14/230
D571,793 S * 6/2008 Wu D14/230
D619,126 S * 7/2010 Lee D14/230
D670,272 S * 11/2012 Suzuki D14/240

1 Claim, 10 Drawing Sheets



(56)

References Cited

U.S. PATENT DOCUMENTS

D843,357 S	*	3/2019	Young	D14/230
D886,805 S	*	6/2020	Yang	D14/230
D930,628 S	*	9/2021	Wang	D14/230
D963,624 S	*	9/2022	Wang	D14/230

* cited by examiner

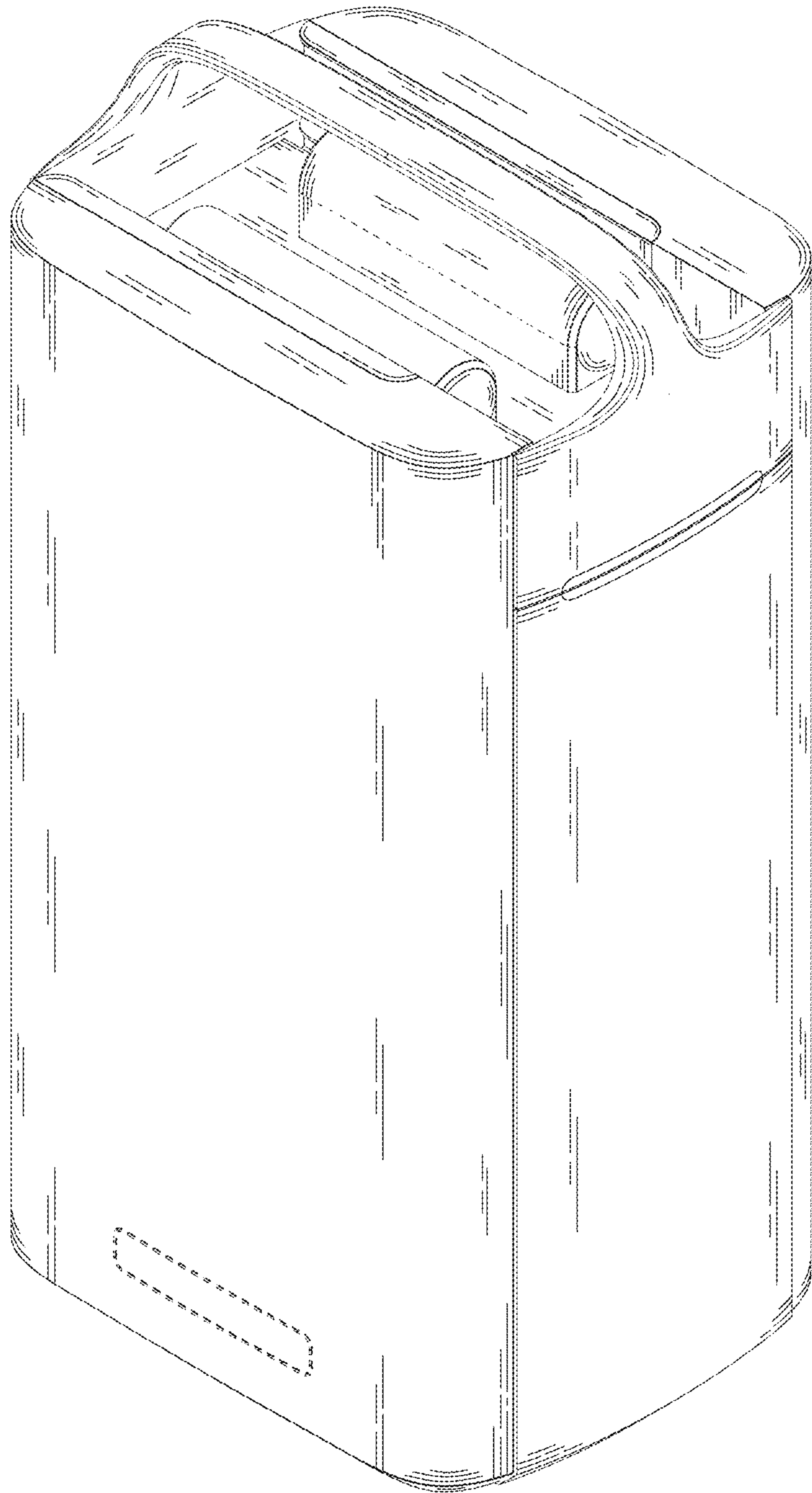


FIG. 1

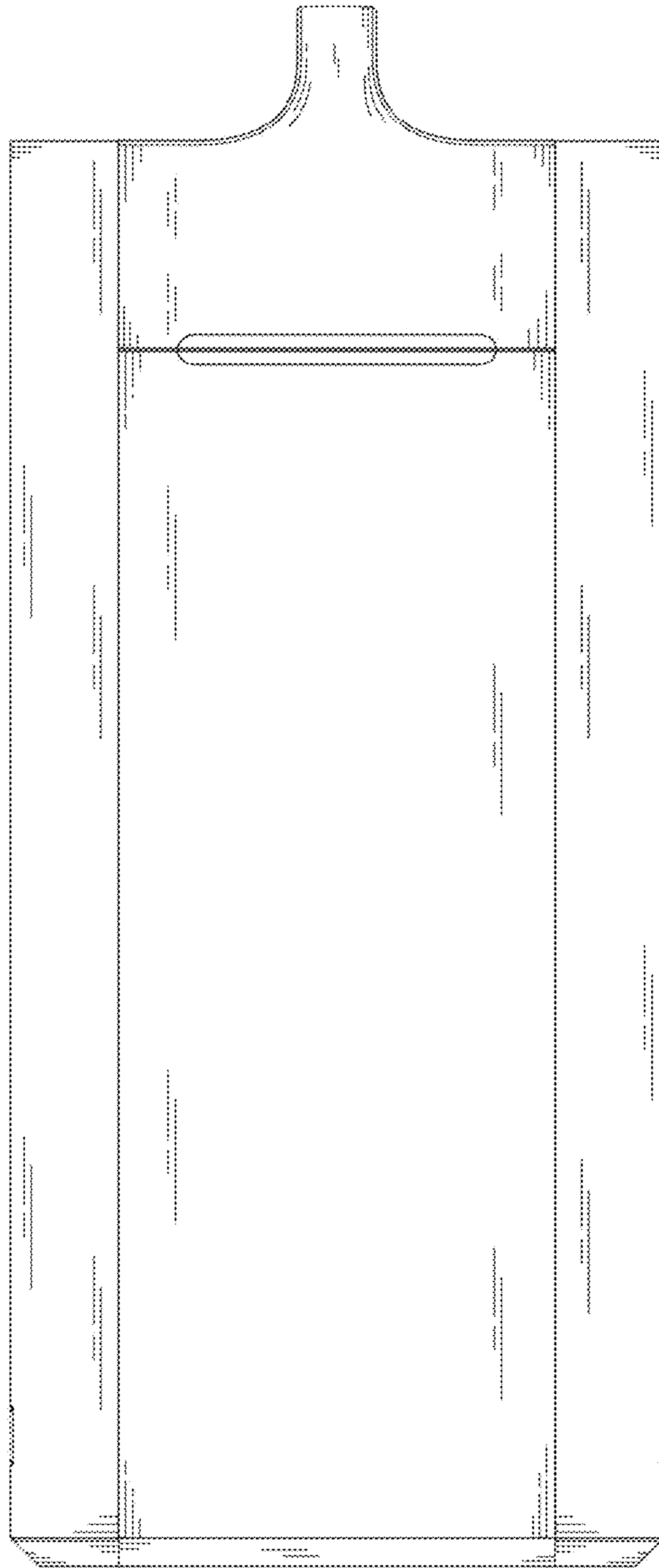


FIG. 2

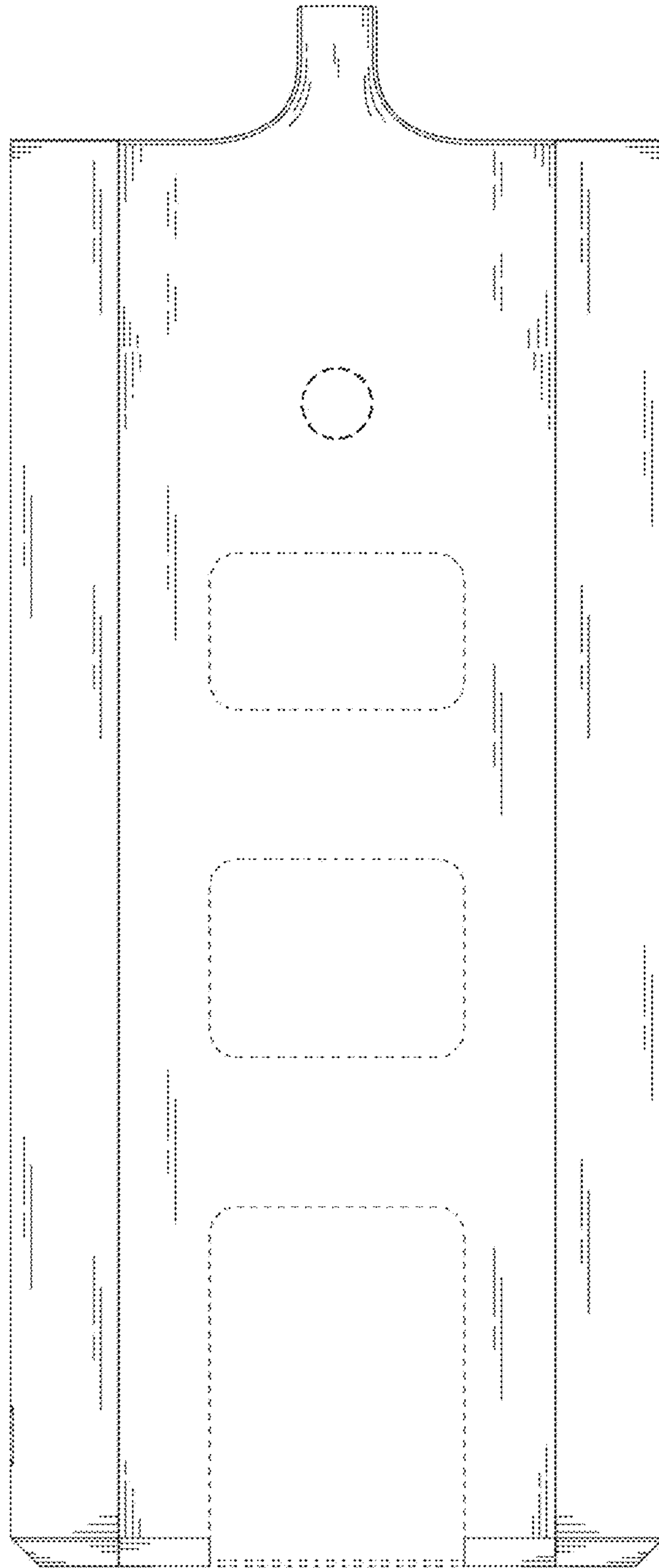


FIG. 3

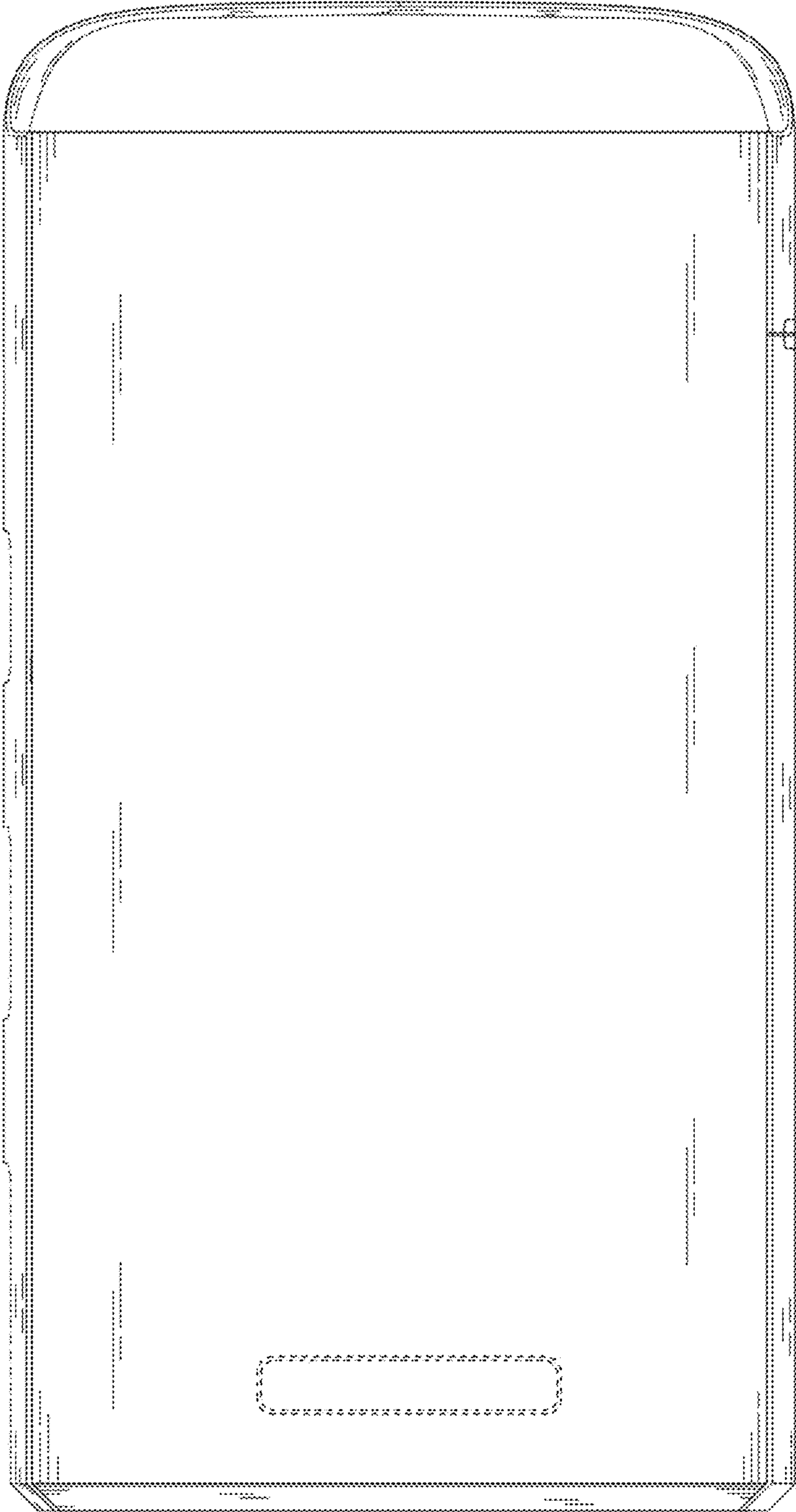


FIG. 4

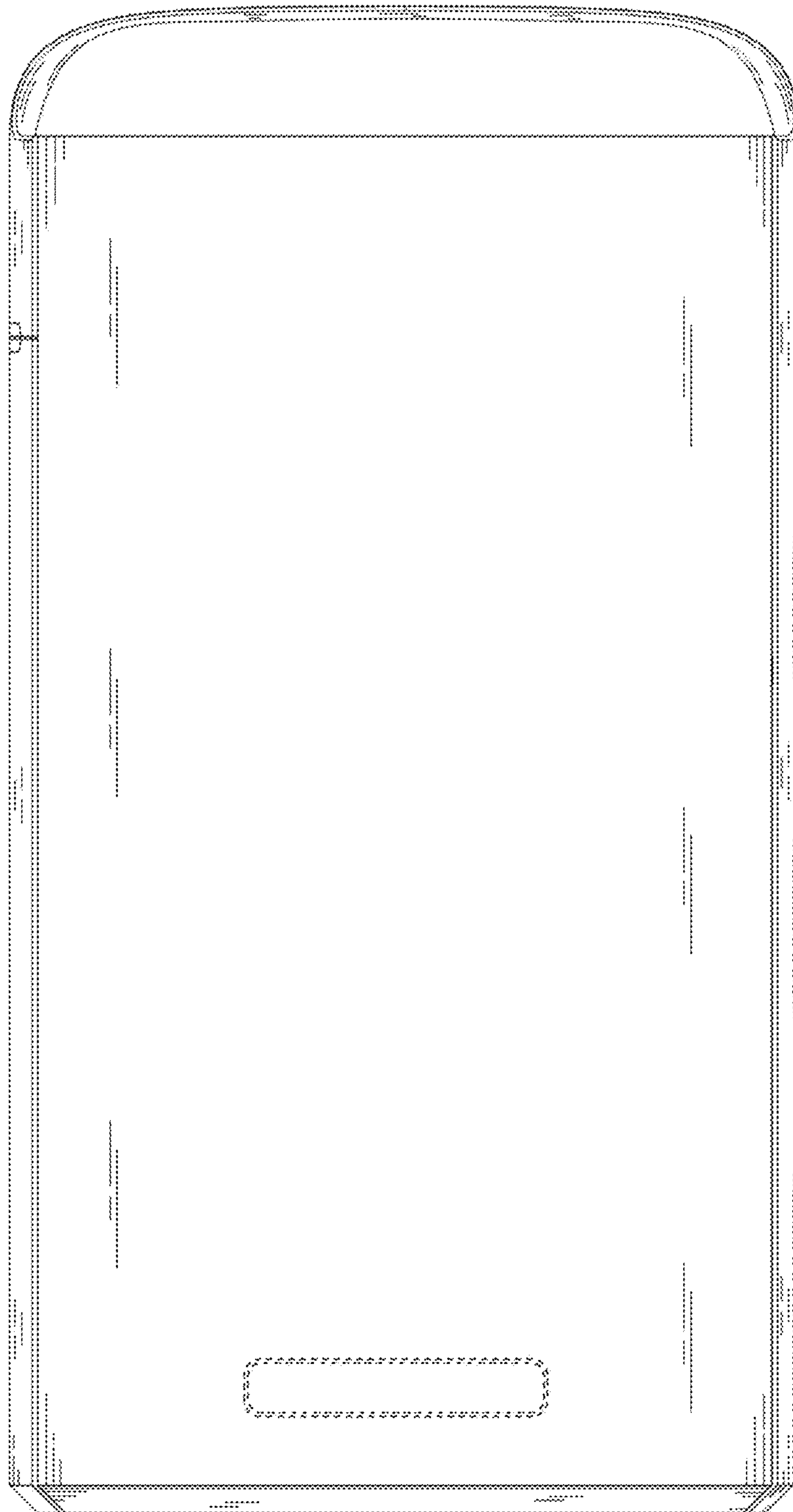


FIG. 5

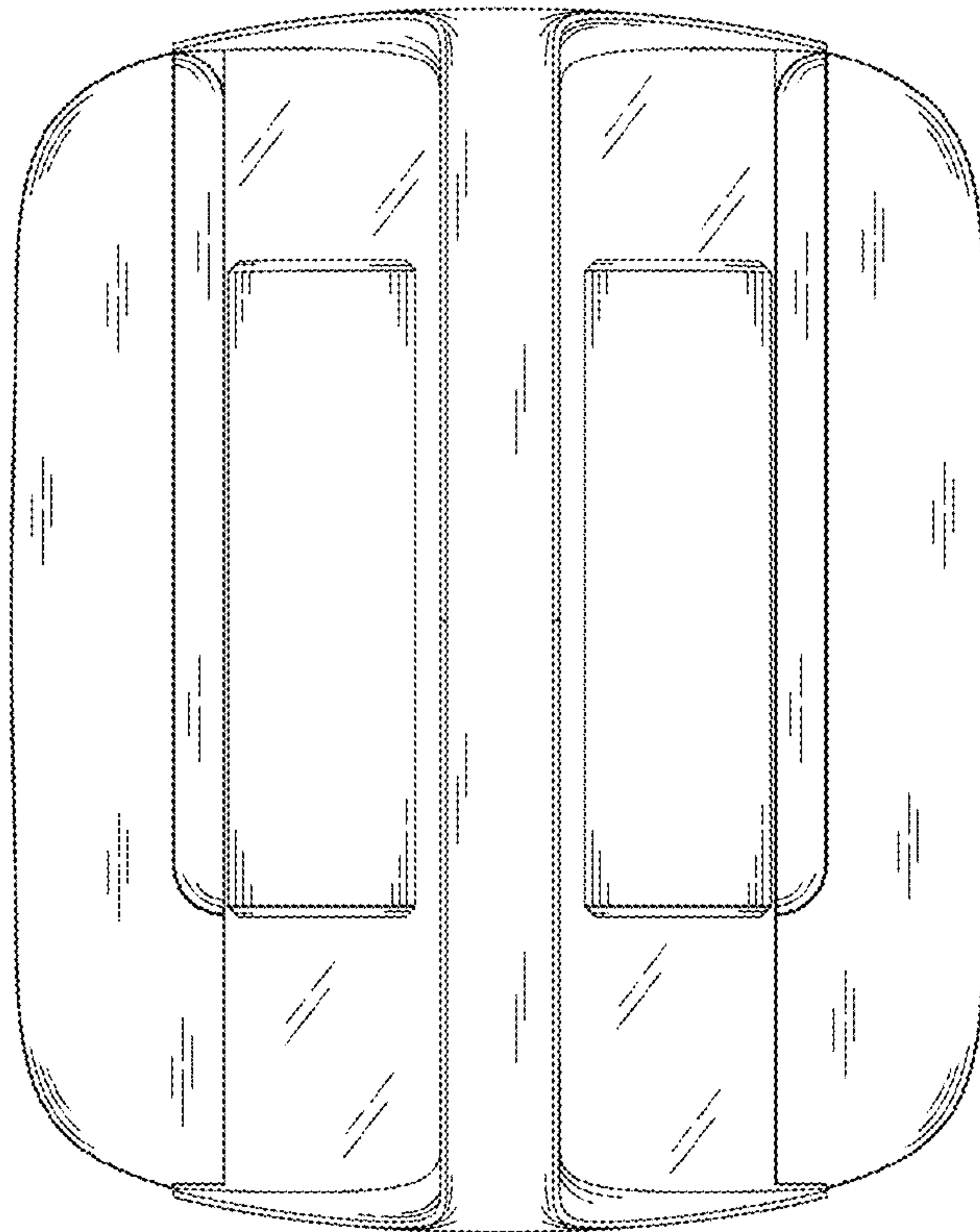


FIG. 6

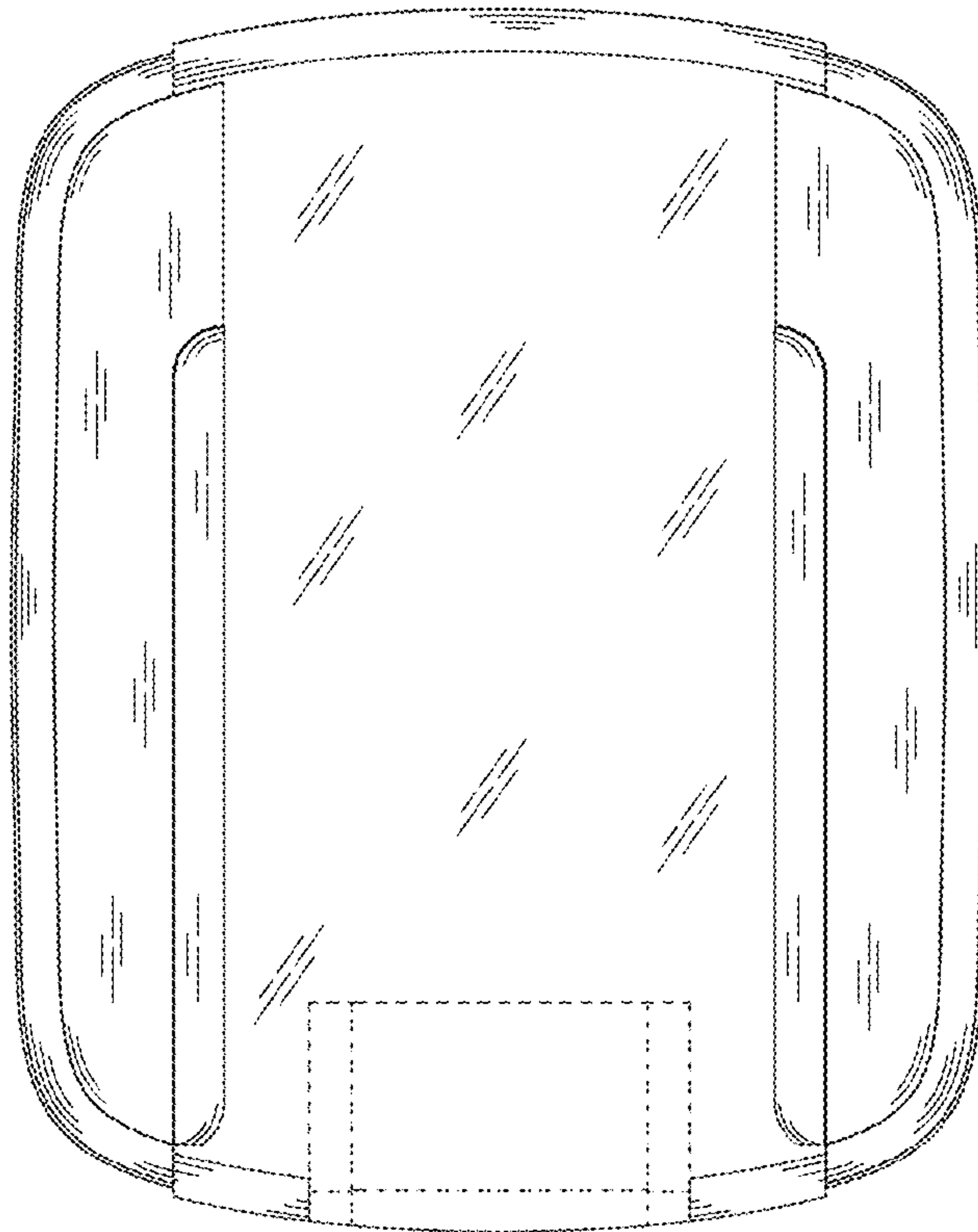


FIG. 7

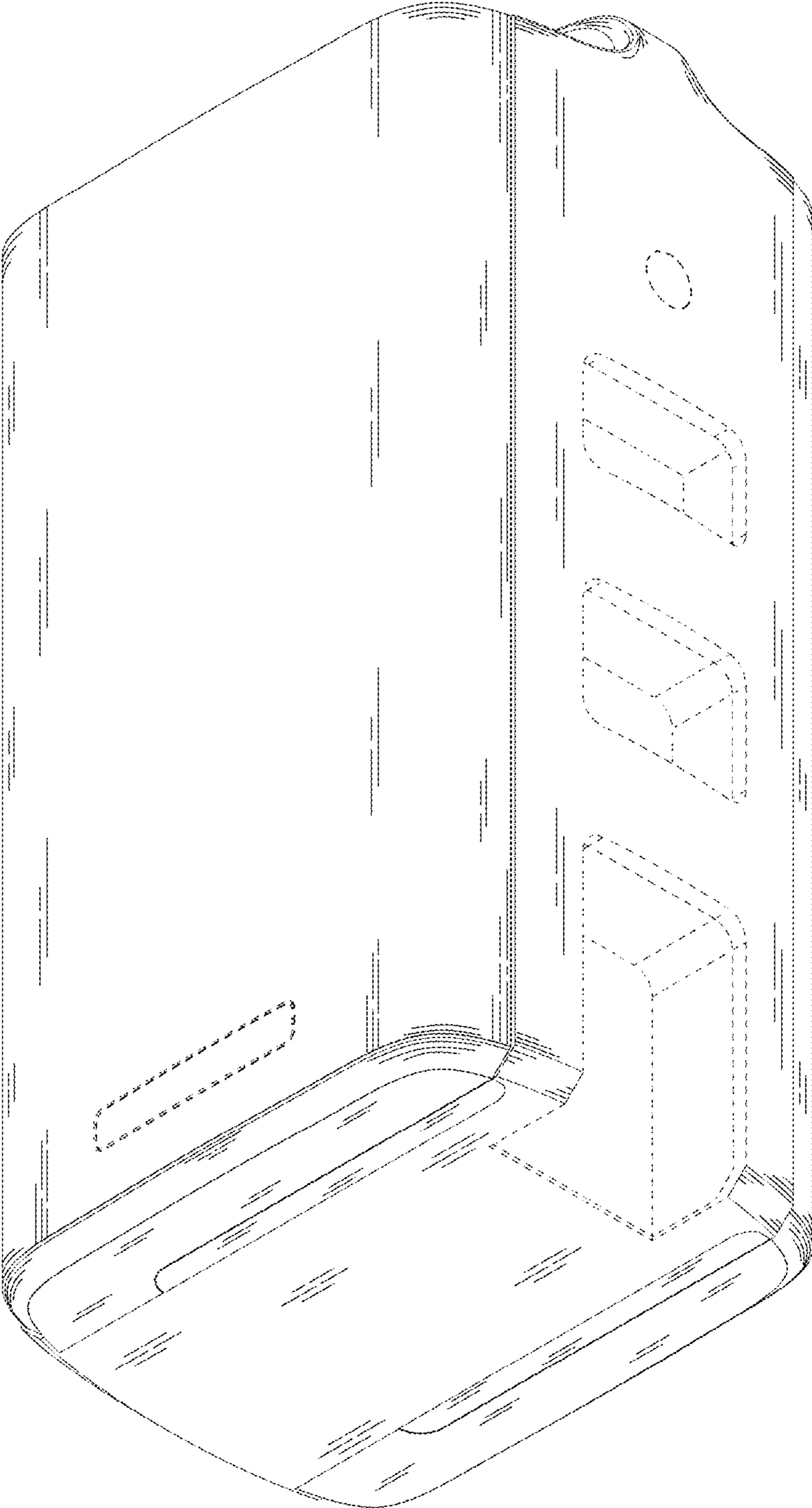


FIG. 8

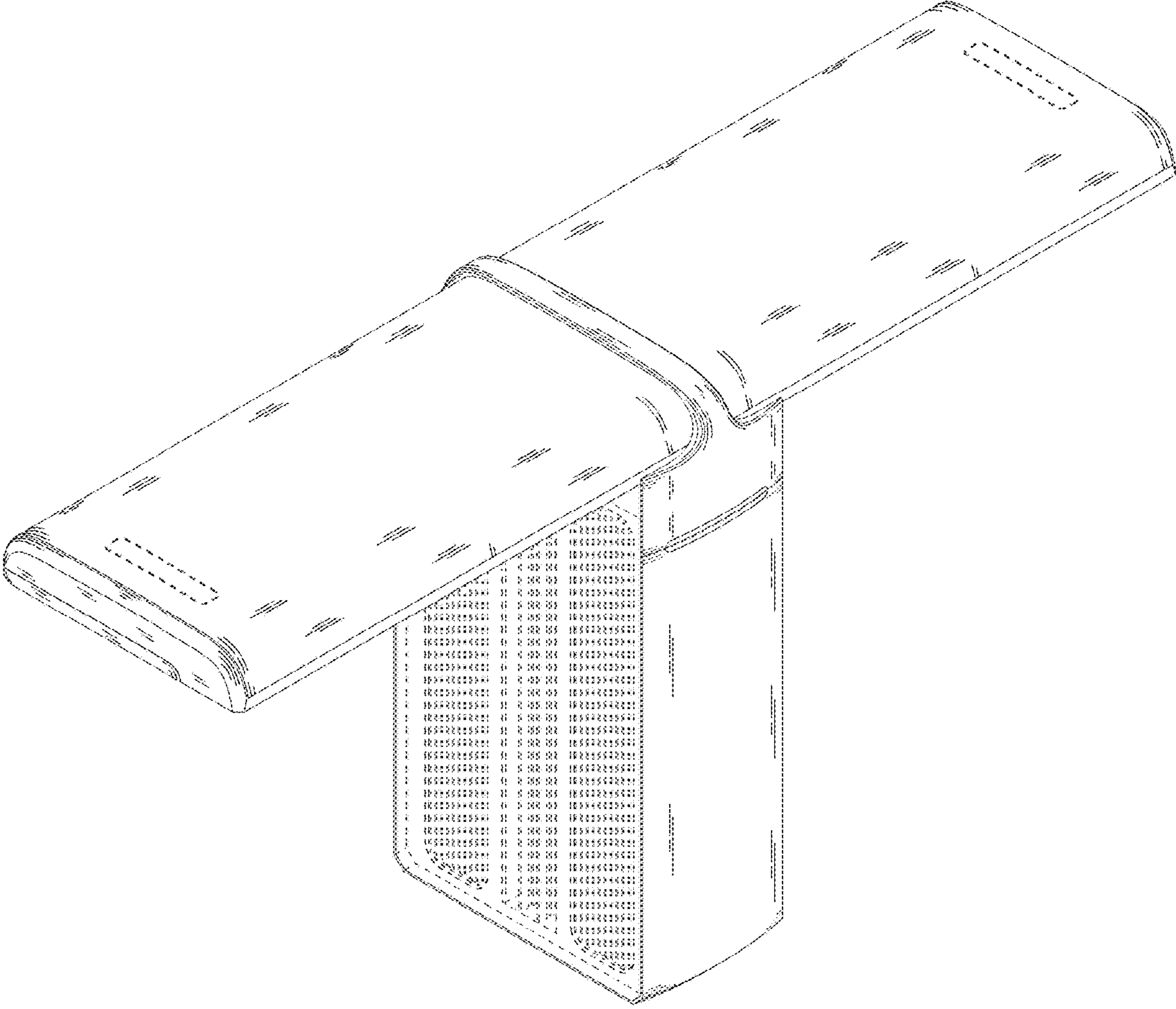


FIG. 9

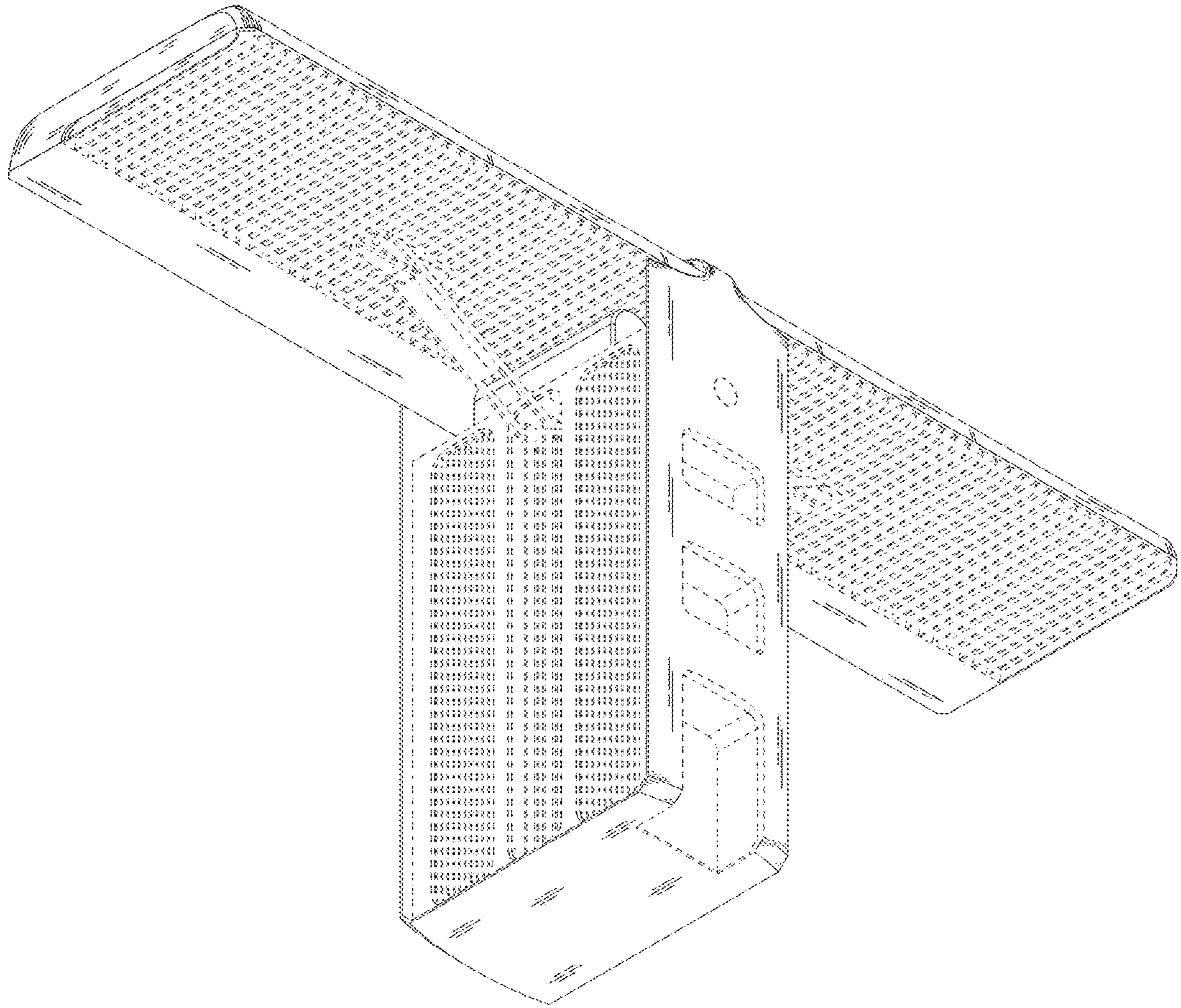


FIG. 10