



US00D984984S

(12) **United States Design Patent** (10) **Patent No.:** **US D984,984 S**
Mai (45) **Date of Patent:** **** May 2, 2023**

(54) **MICROPHONE**

FOREIGN PATENT DOCUMENTS

(71) Applicant: **Shenzhen Xunweijia Technology Development Co., Ltd.**, Shenzhen (CN)

CN 307670296 * 11/2022
JP D1725877 * 9/2022

(72) Inventor: **Qibin Mai**, Gaoyao (CN)

OTHER PUBLICATIONS

(73) Assignee: **Shenzhen Xunweijia Technology Development Co., Ltd.**, Shenzhen (CN)

Fifine gaming mic, Amazon website 2022, site visited Dec. 16, 2022, https://www.amazon.com/Microphone-AmpliGame-Condenser-Recording-Monitoring-A8/dp/B09YLM3FNC/ref=asc_df_B09YLM3FNC/?

(**) Term: **15 Years**

(21) Appl. No.: **29/853,024**

* cited by examiner

(22) Filed: **Sep. 12, 2022**

Primary Examiner — John R Yeh

(74) *Attorney, Agent, or Firm* — Nitin Kaushik

Related U.S. Application Data

(63) Continuation-in-part of application No. 29/824,621, filed on Jan. 26, 2022, now Pat. No. Des. 969,116.

(51) **LOC (14) Cl.** **14-01**

(52) **U.S. Cl.**
USPC **D14/225**

(58) **Field of Classification Search**
USPC D14/225–229
CPC H04N 7/142
See application file for complete search history.

(57) **CLAIM**

The ornamental design for a microphone, as shown and described.

(56) **References Cited**

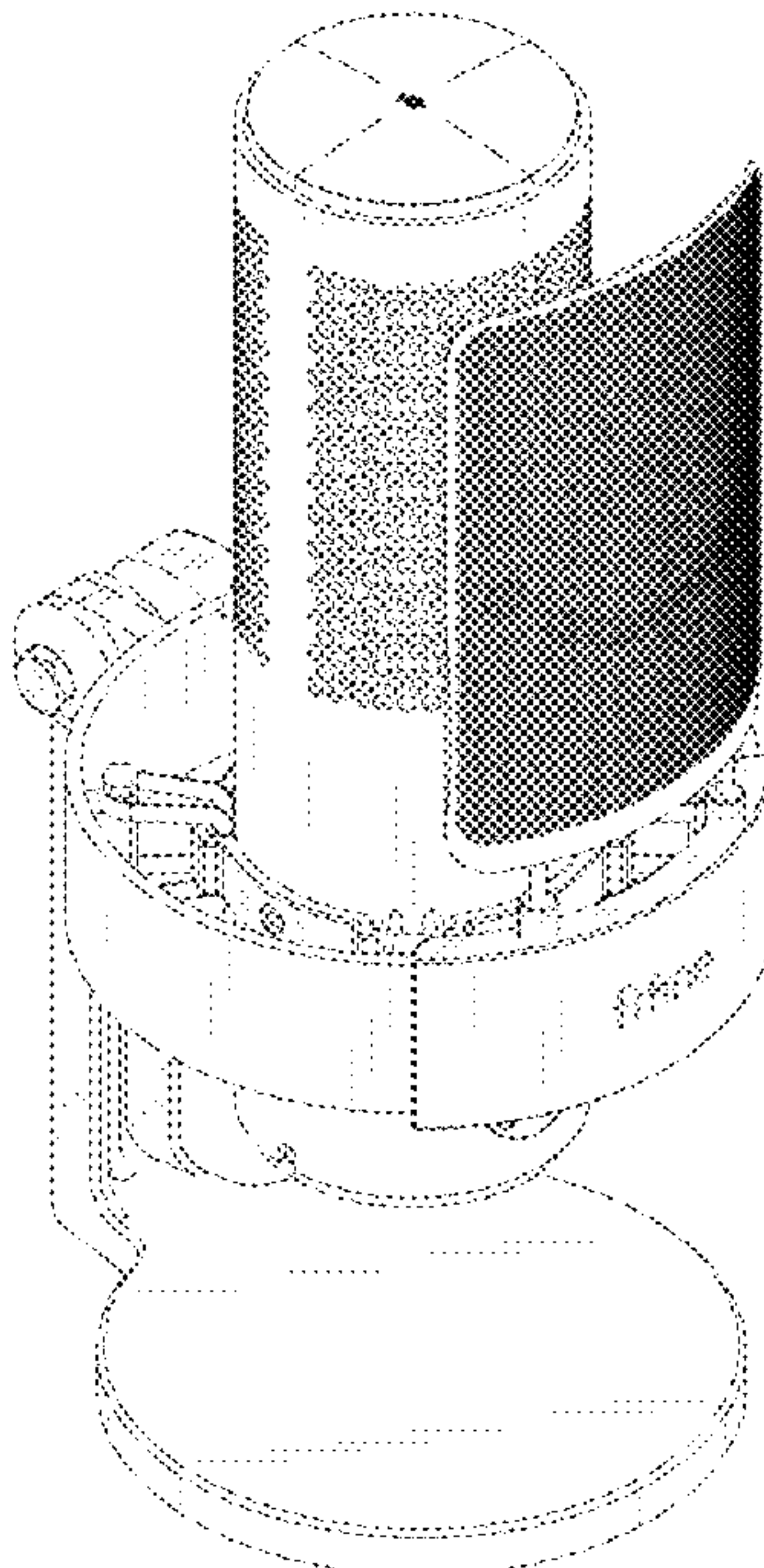
U.S. PATENT DOCUMENTS

D594,856 S *	6/2009	Marshall	D14/228
D719,140 S *	12/2014	Sanhui	D14/225
D931,839 S	9/2021	Bryant		
D933,640 S *	10/2021	Zhou	D14/225
D940,693 S *	1/2022	Deng	D14/225
D971,895 S *	12/2022	Chen	D14/225
2012/0315016 A1 *	12/2012	Fung	H04N 5/2252 348/222.1

DESCRIPTION

FIG. 1 is front perspective view of a microphone, showing my new design;
FIG. 2 is a front view thereof;
FIG. 3 is a rear view thereof;
FIG. 4 is a left side view thereof;
FIG. 5 is a right side view thereof;
FIG. 6 is a top view thereof; and,
FIG. 7 is a bottom view thereof.
The broken lines in the drawings illustrate the portions of the microphone, which form no part of the claimed design.

1 Claim, 7 Drawing Sheets



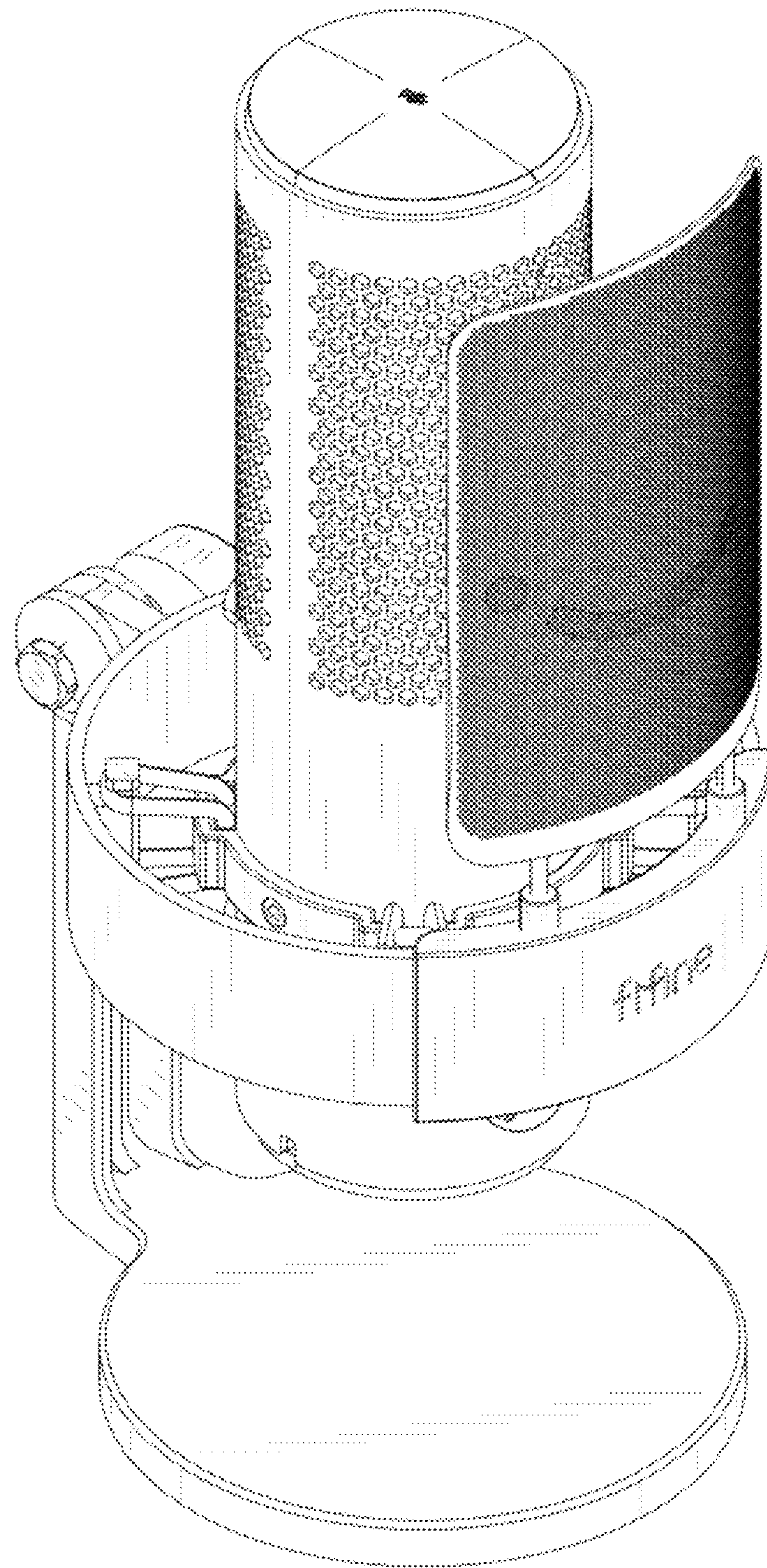


FIG. 1

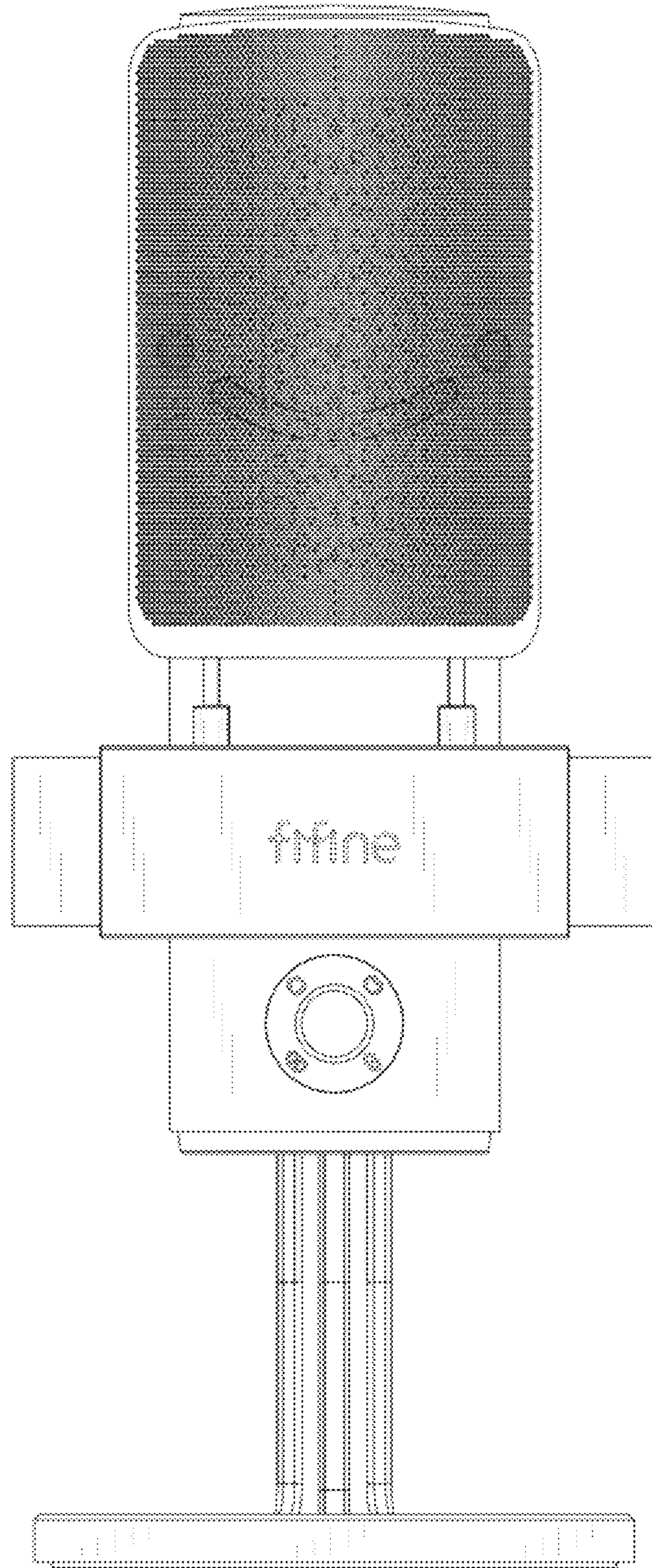


FIG. 2

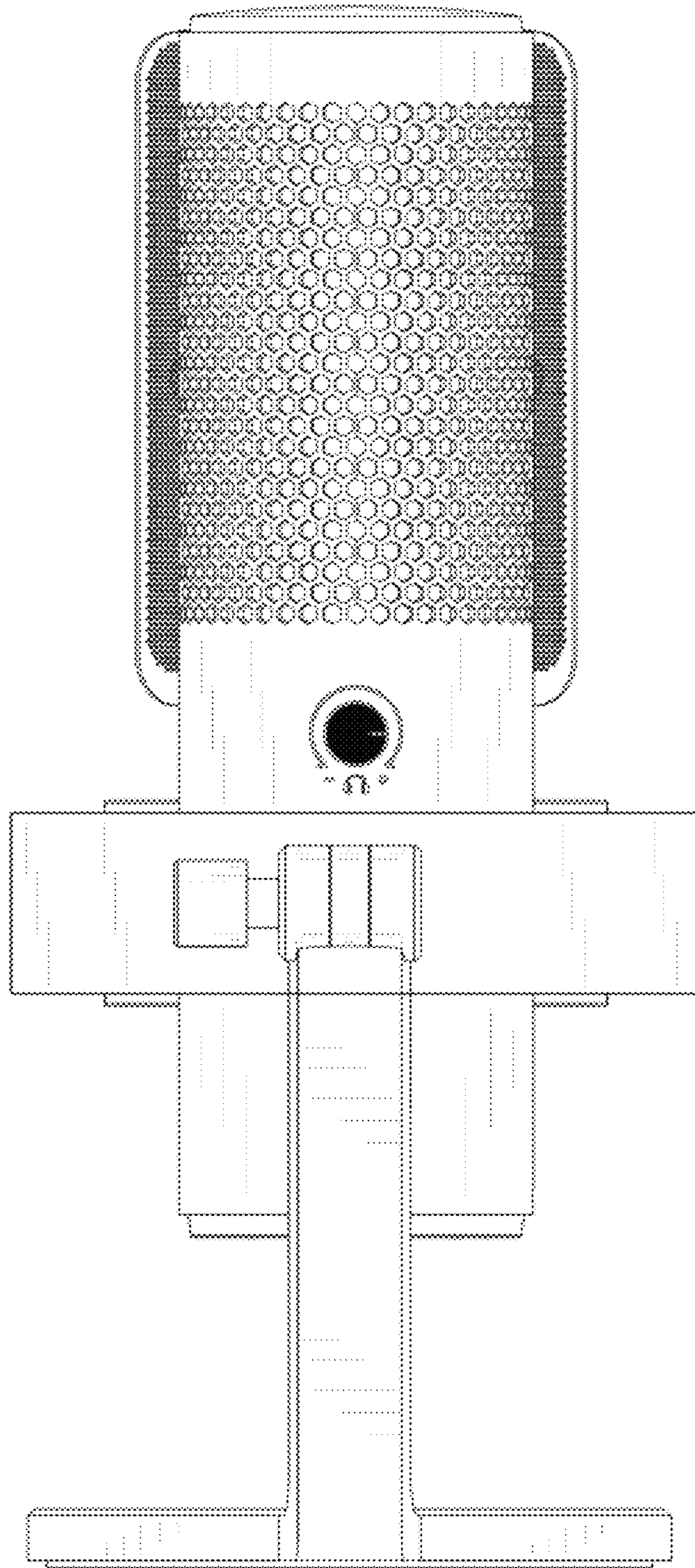


FIG. 3

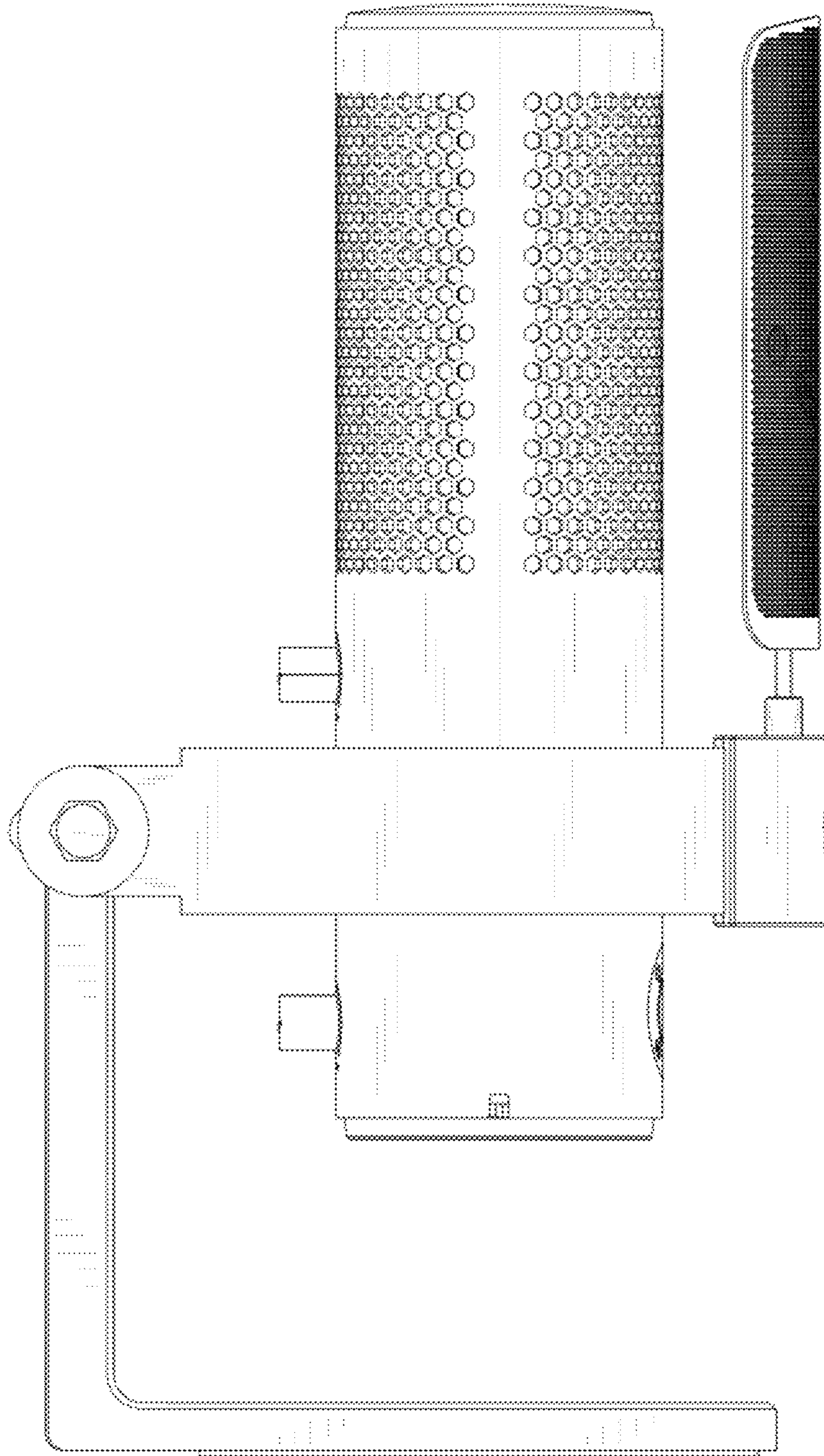


FIG. 4

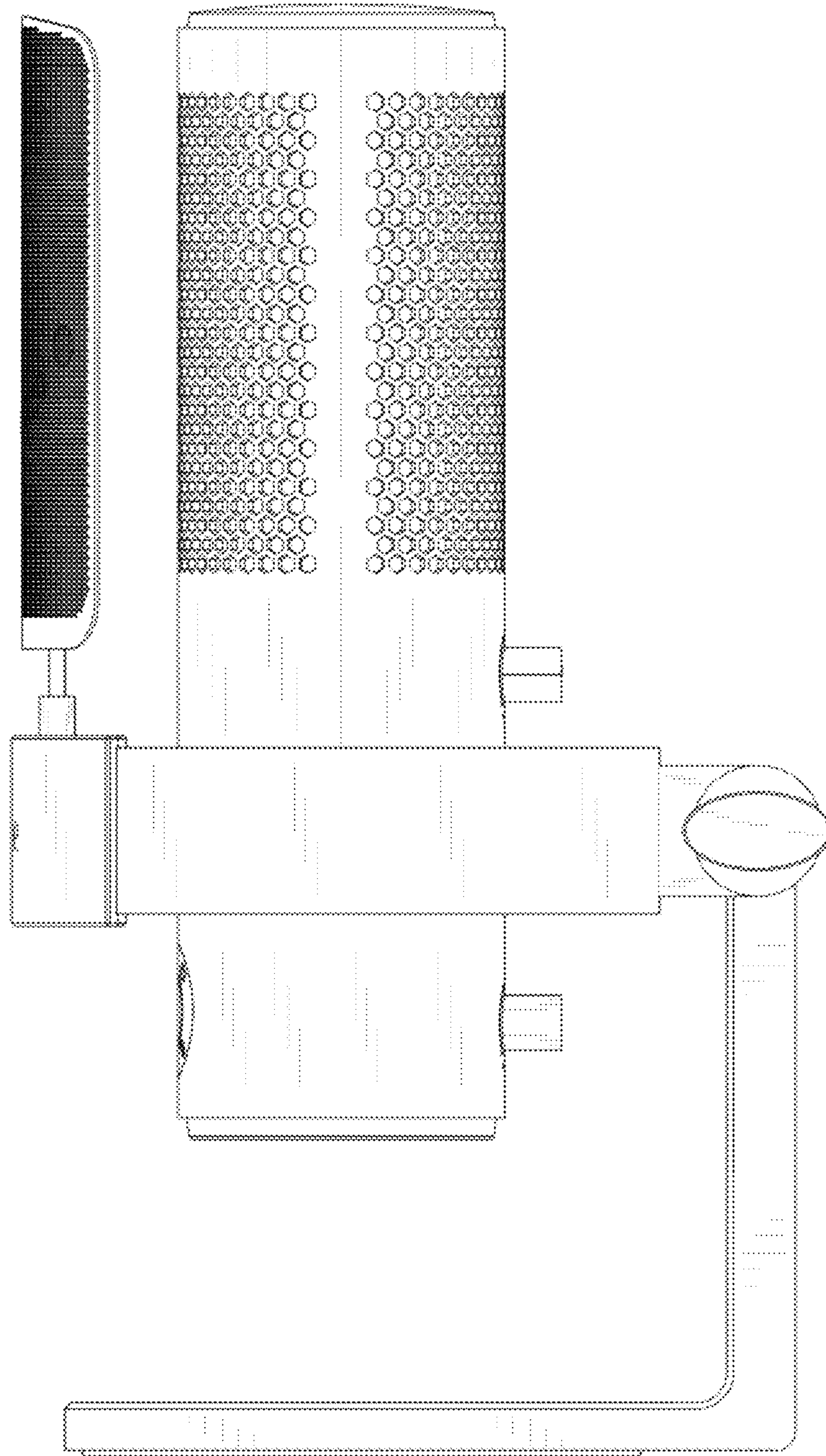


FIG. 5

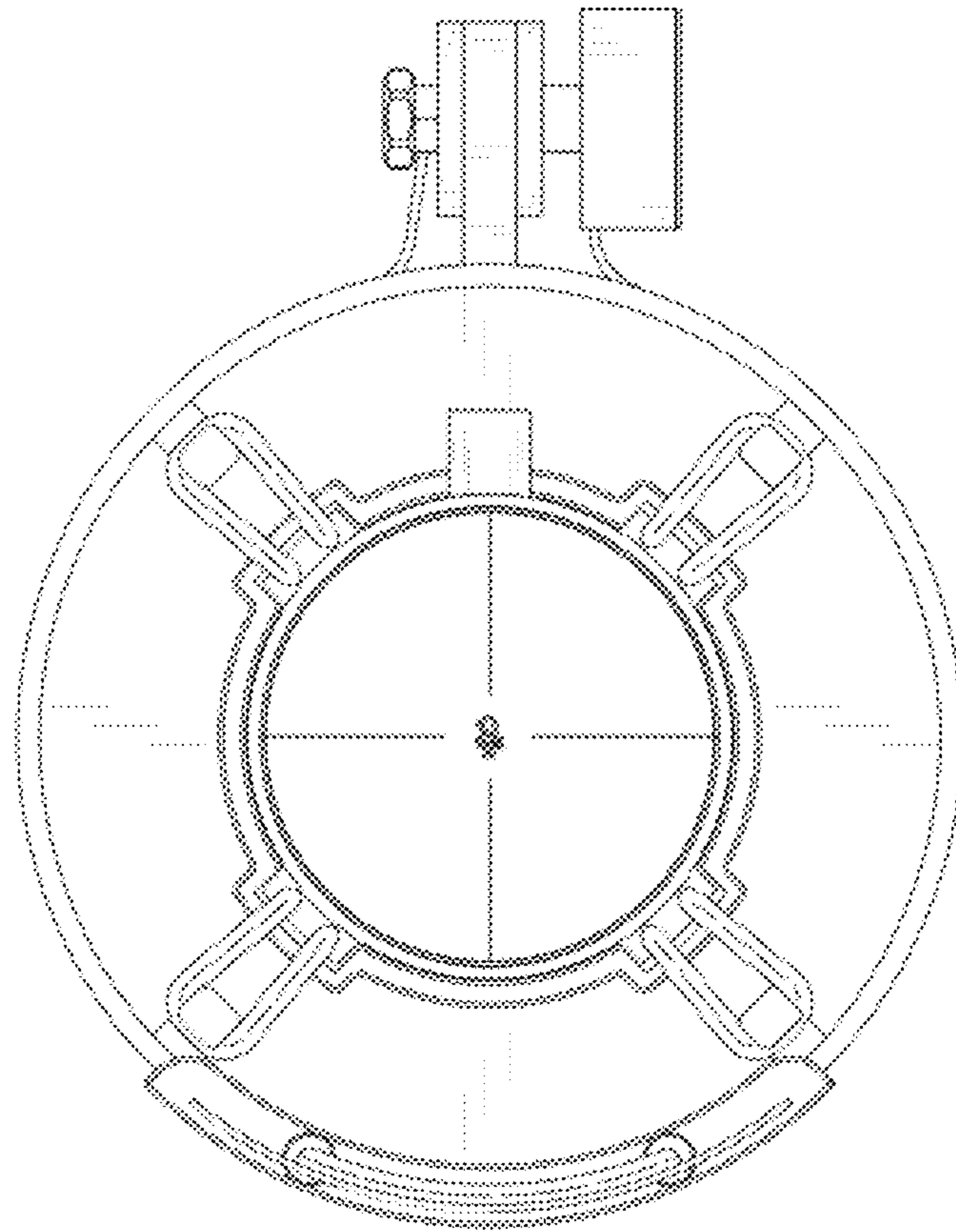


FIG. 6

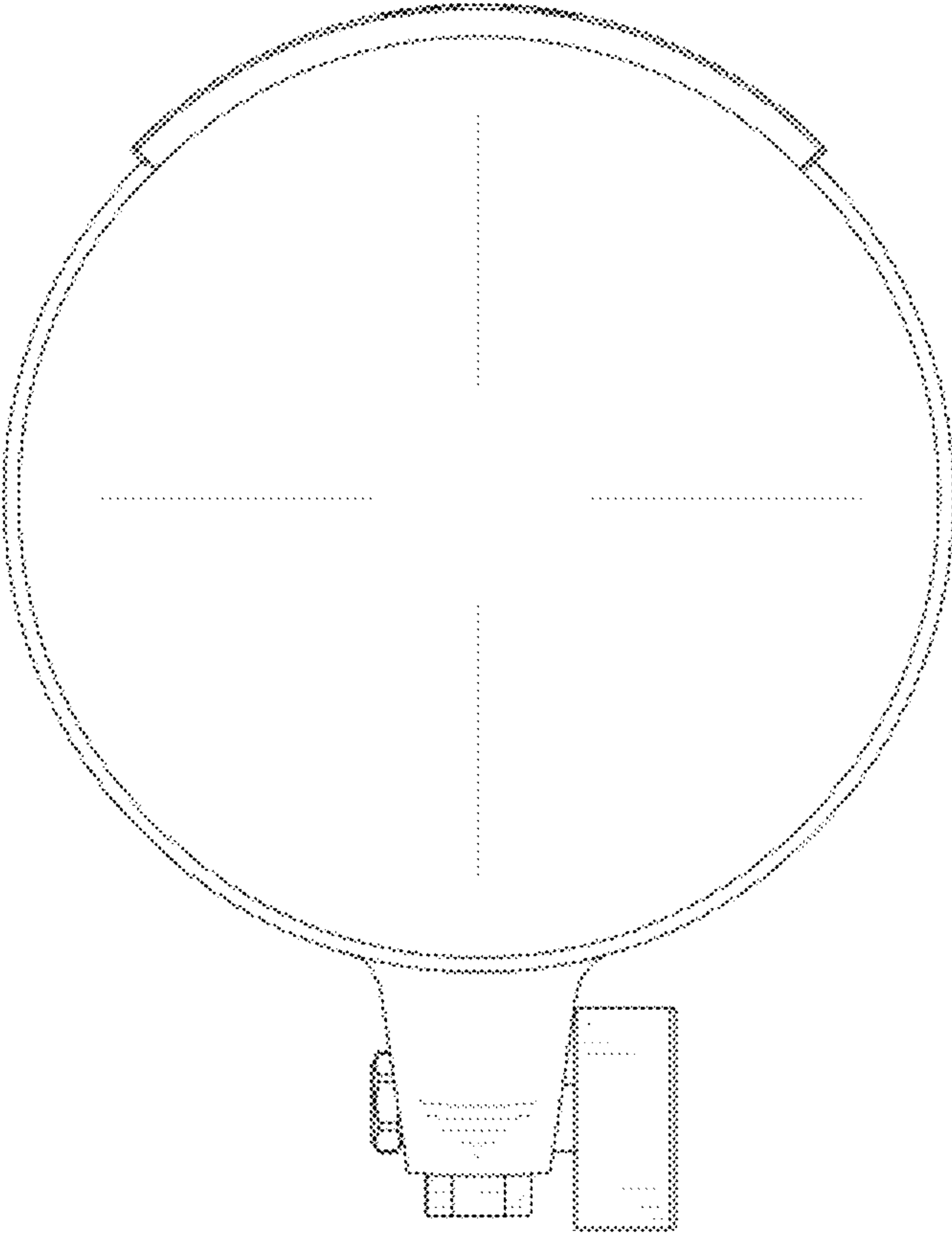


FIG. 7