



US00D984983S

(12) **United States Design Patent** (10) **Patent No.:** **US D984,983 S**  
**Hu** (45) **Date of Patent:** **\*\* May 2, 2023**

(54) **EARBUD**

(71) Applicant: **Peilin Hu**, Guangzhou (CN)

(72) Inventor: **Peilin Hu**, Guangzhou (CN)

(\*\*) Term: **15 Years**

(21) Appl. No.: **29/767,607**

(22) Filed: **Jan. 25, 2021**

(51) **LOC (14) Cl.** ..... **14-01**

(52) **U.S. Cl.**  
USPC ..... **D14/223**

(58) **Field of Classification Search**  
USPC ..... D14/223, 249, 243; D24/174  
CPC ..... H04R 1/1016; H04R 25/656; H04R  
2225/025; H04R 2460/11; H04R 2460/15  
See application file for complete search history.

(56) **References Cited**

**U.S. PATENT DOCUMENTS**

- D870,711 S \* 12/2019 Karayiannis ..... H04R 1/1016  
D14/223
- 2015/0139474 A1\* 5/2015 Henry ..... H04R 1/1016  
381/380
- 2019/0201245 A1\* 7/2019 Albean ..... H04R 1/1016
- 2020/0359125 A1\* 11/2020 Henry ..... H04R 1/1008

**FOREIGN PATENT DOCUMENTS**

CN 306460597 \* 4/2021

**OTHER PUBLICATIONS**

Sennheiser CX, Sep. 14, 2021, Amazon, site visited Nov. 28, 2022: <https://www.amazon.com/dp/B09BXYKD2W/> (Year: 2021).  
Active Hearing Protection & Enhancement Ear Plugs, oldest review Dec. 2021, Comm Gear Supply, site visited Nov. 30, 2022: <https://www.commgearsupply.com/products/active-hearing-protection-enhancement-ear-plugs> (Year: 2021).\*

\* cited by examiner

*Primary Examiner* — Leanne Was-Englehart  
*Assistant Examiner* — Alison Davis

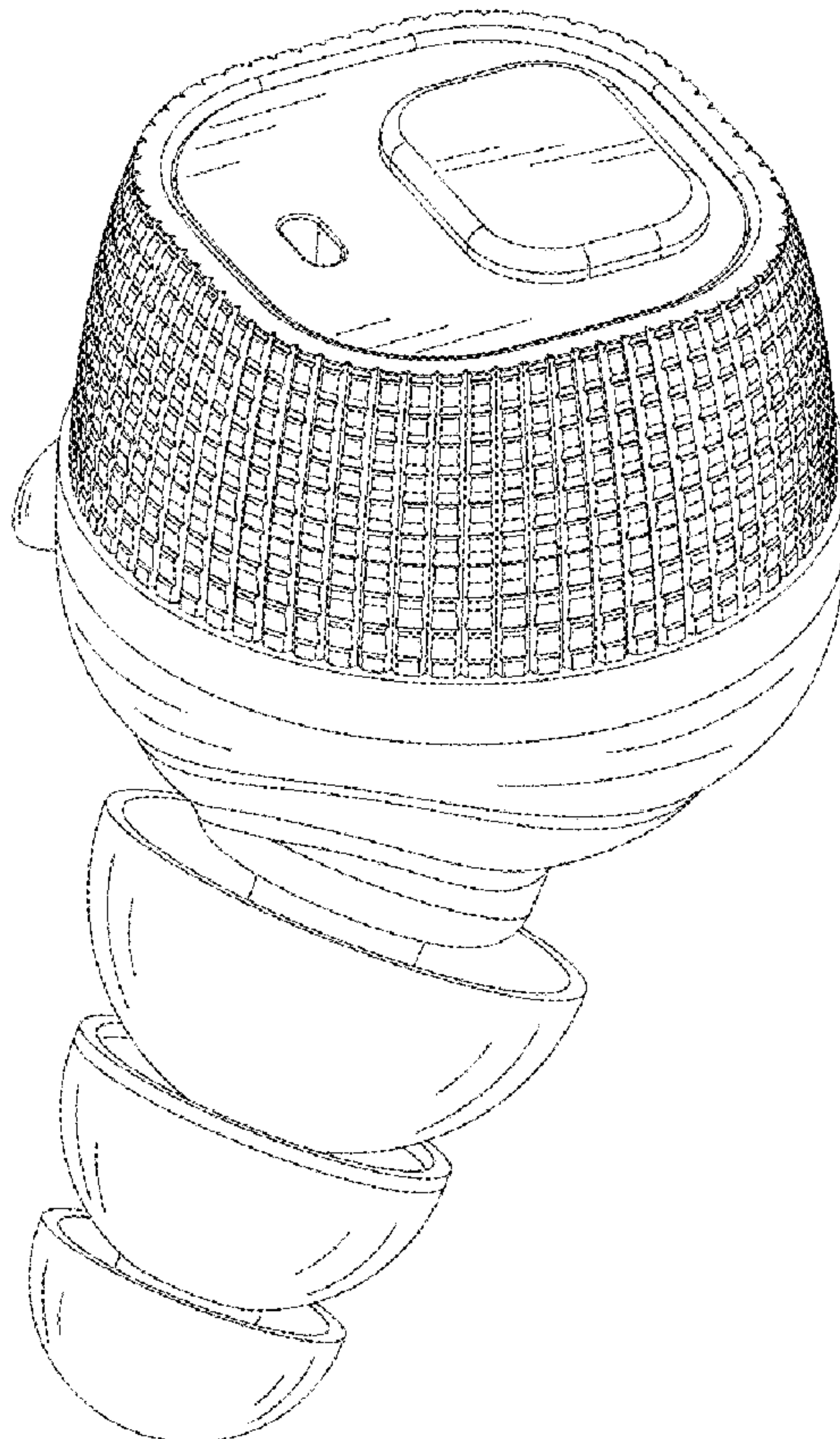
(57) **CLAIM**

The ornamental design for an earbud, as shown and described.

**DESCRIPTION**

FIG. 1 is a front perspective view of an earbud showing my new design;  
FIG. 2 is a rear perspective view thereof;  
FIG. 3 is a front elevation view thereof;  
FIG. 4 is a rear elevation view thereof;  
FIG. 5 is a left side elevation view thereof;  
FIG. 6 is a right side elevation view thereof;  
FIG. 7 is a top plan view thereof; and,  
FIG. 8 is a bottom plan view thereof.

**1 Claim, 4 Drawing Sheets**



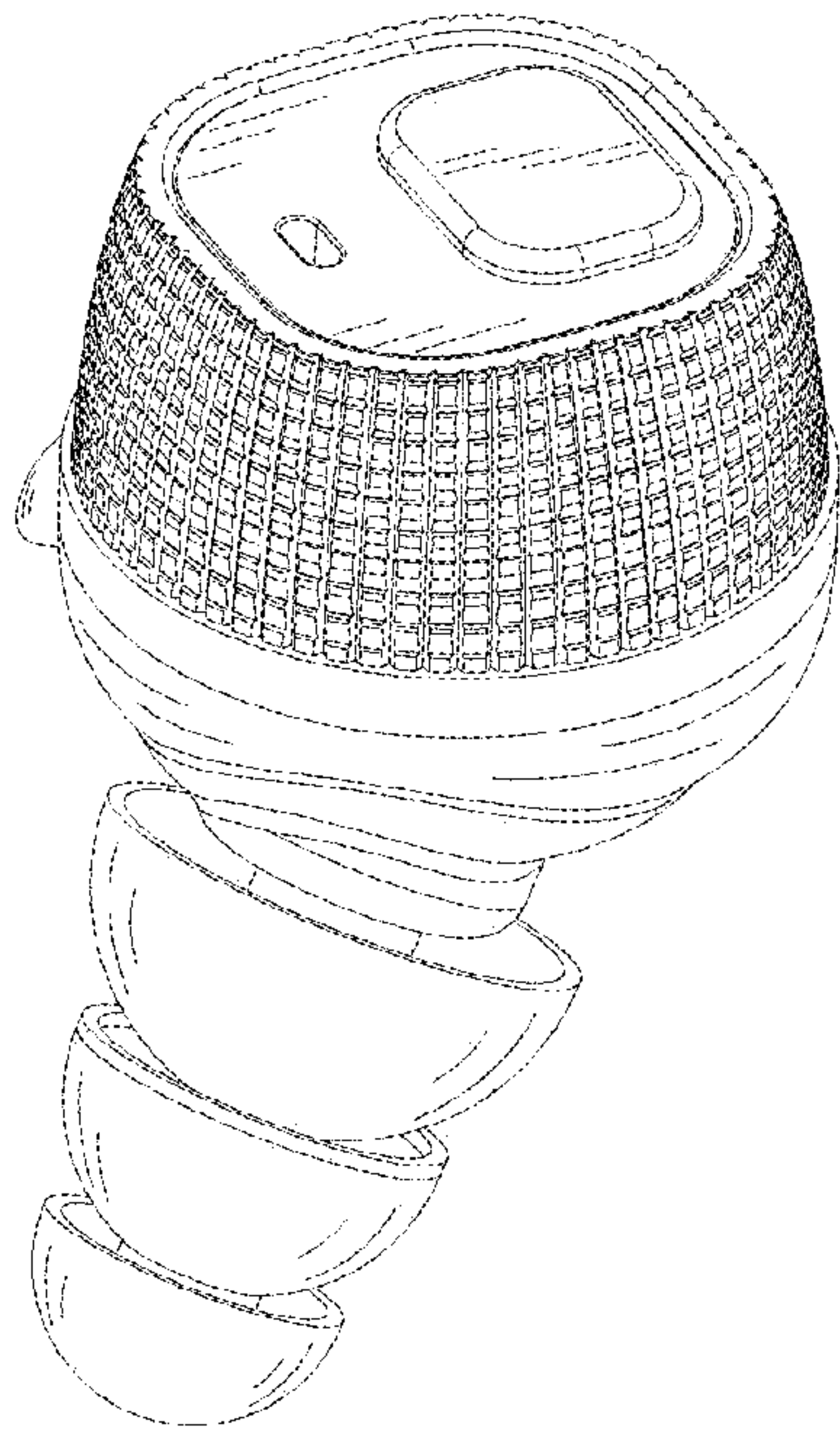


FIG. 1

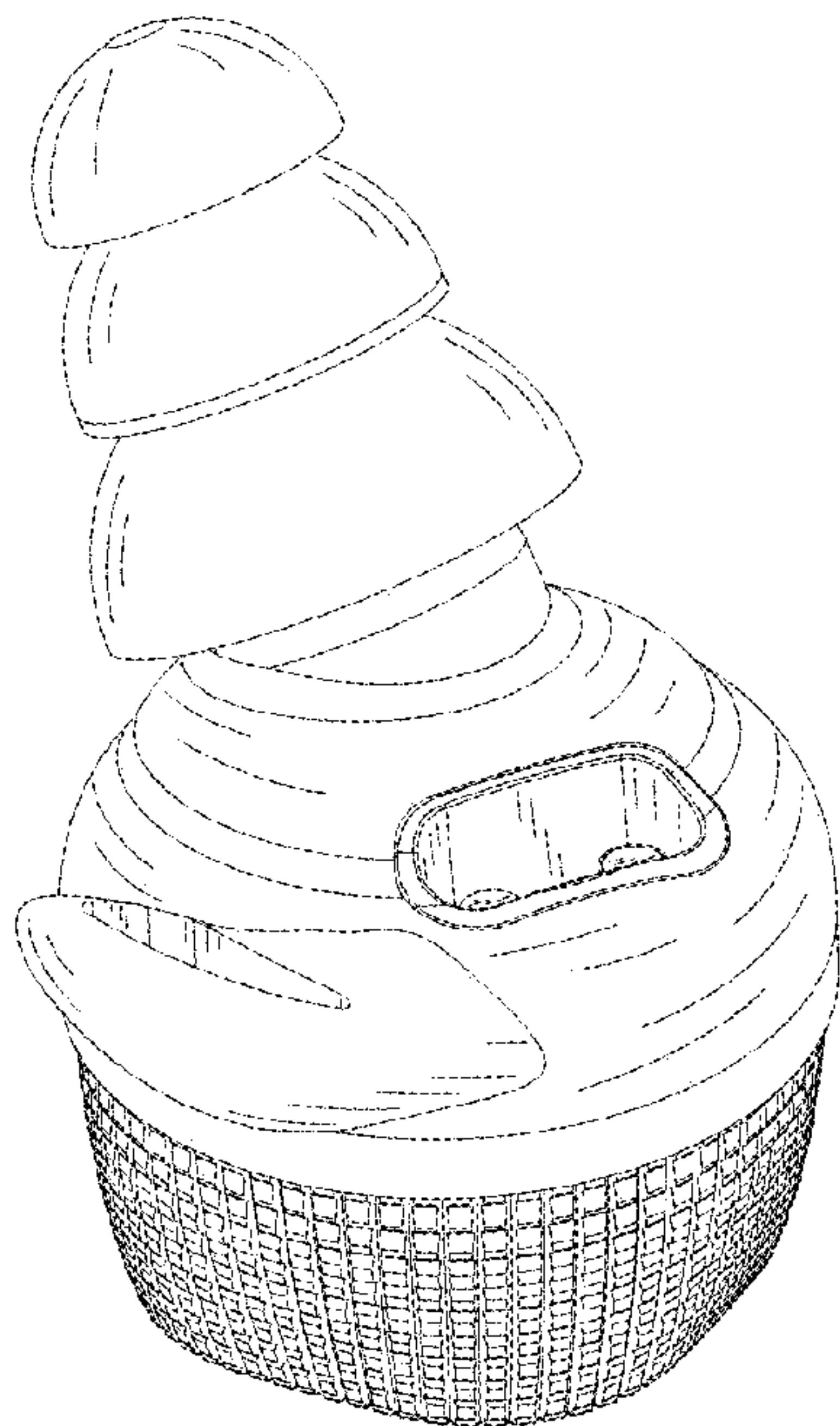


FIG. 2

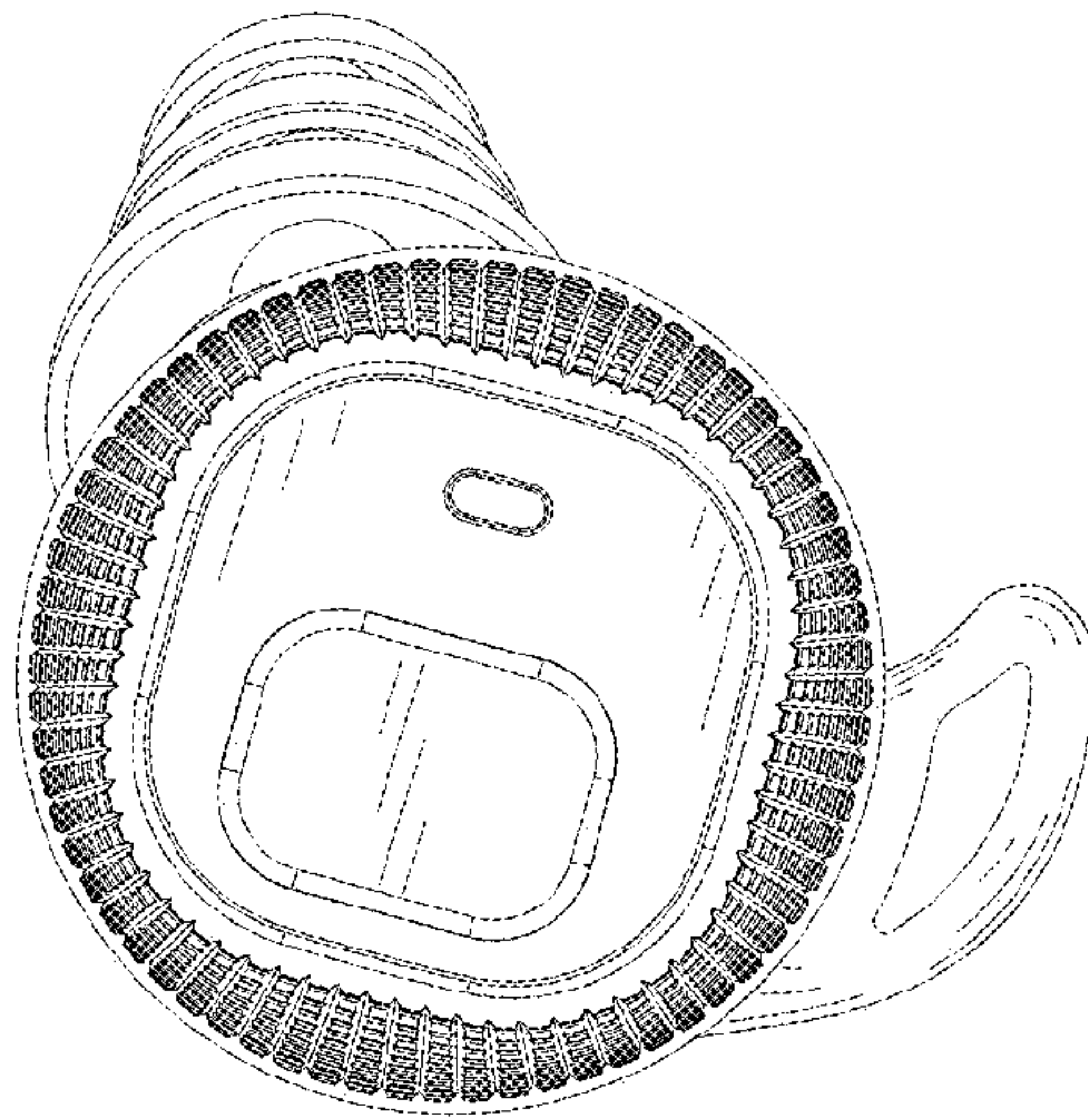


FIG. 3

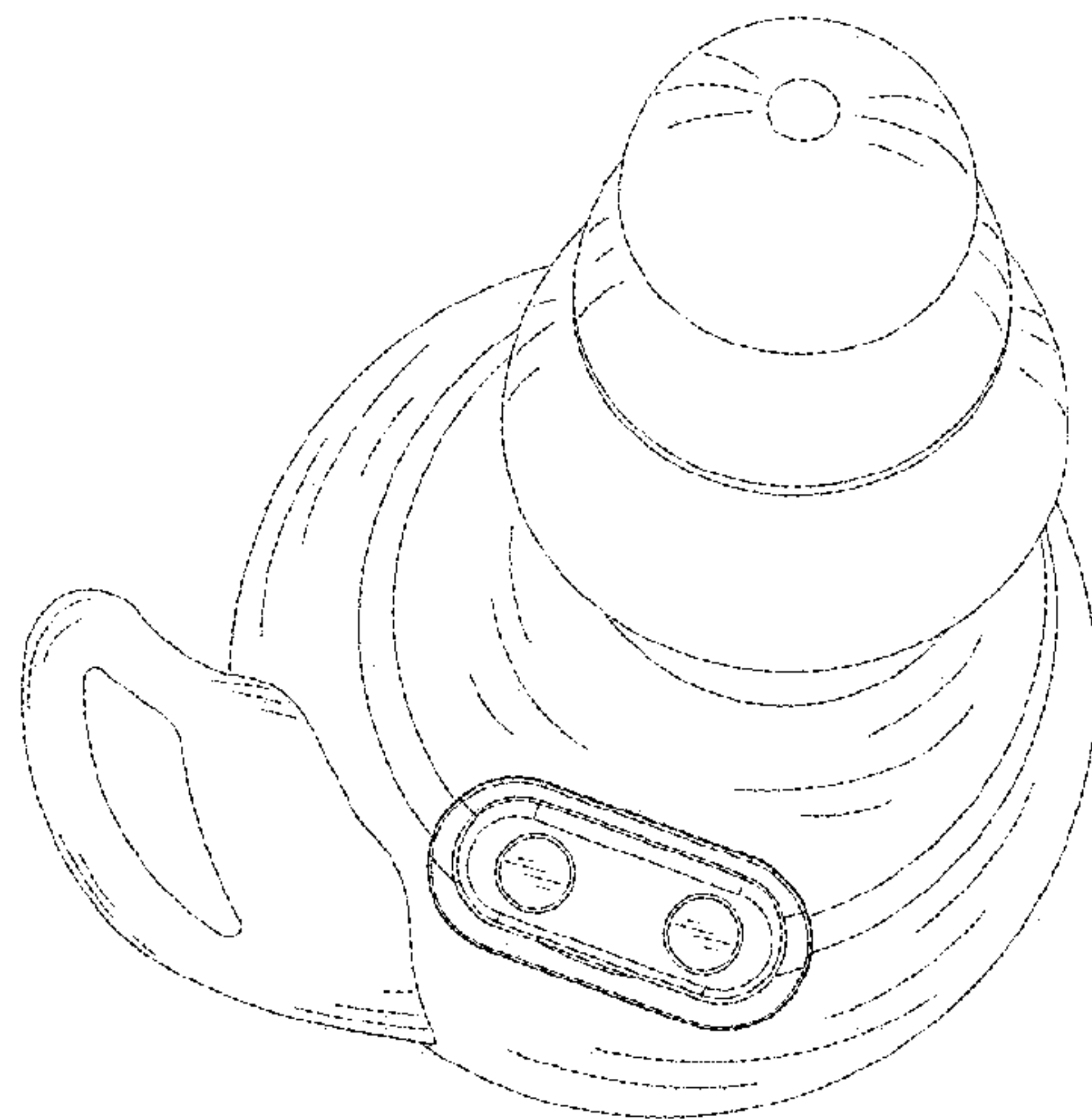


FIG. 4



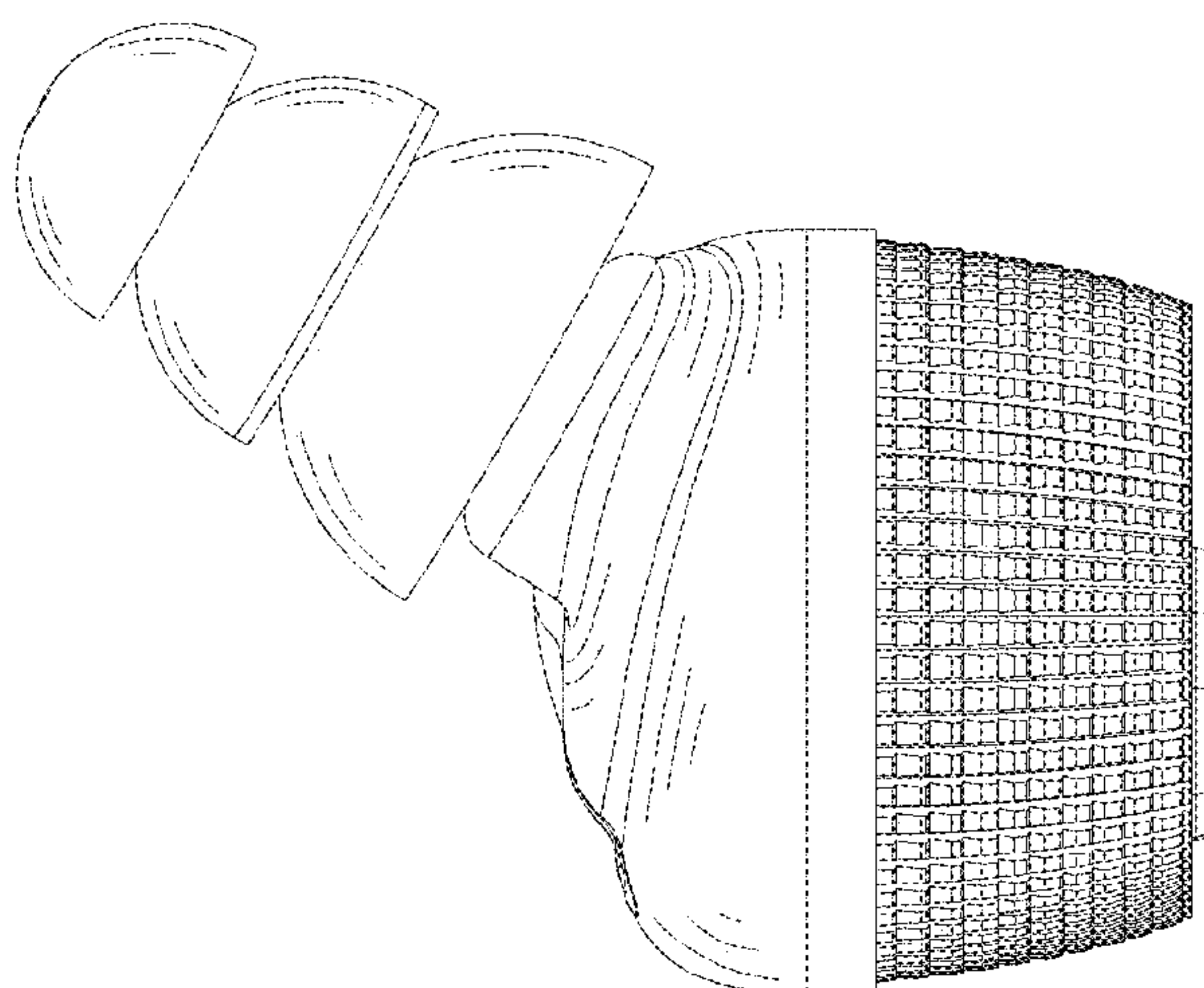


FIG. 5

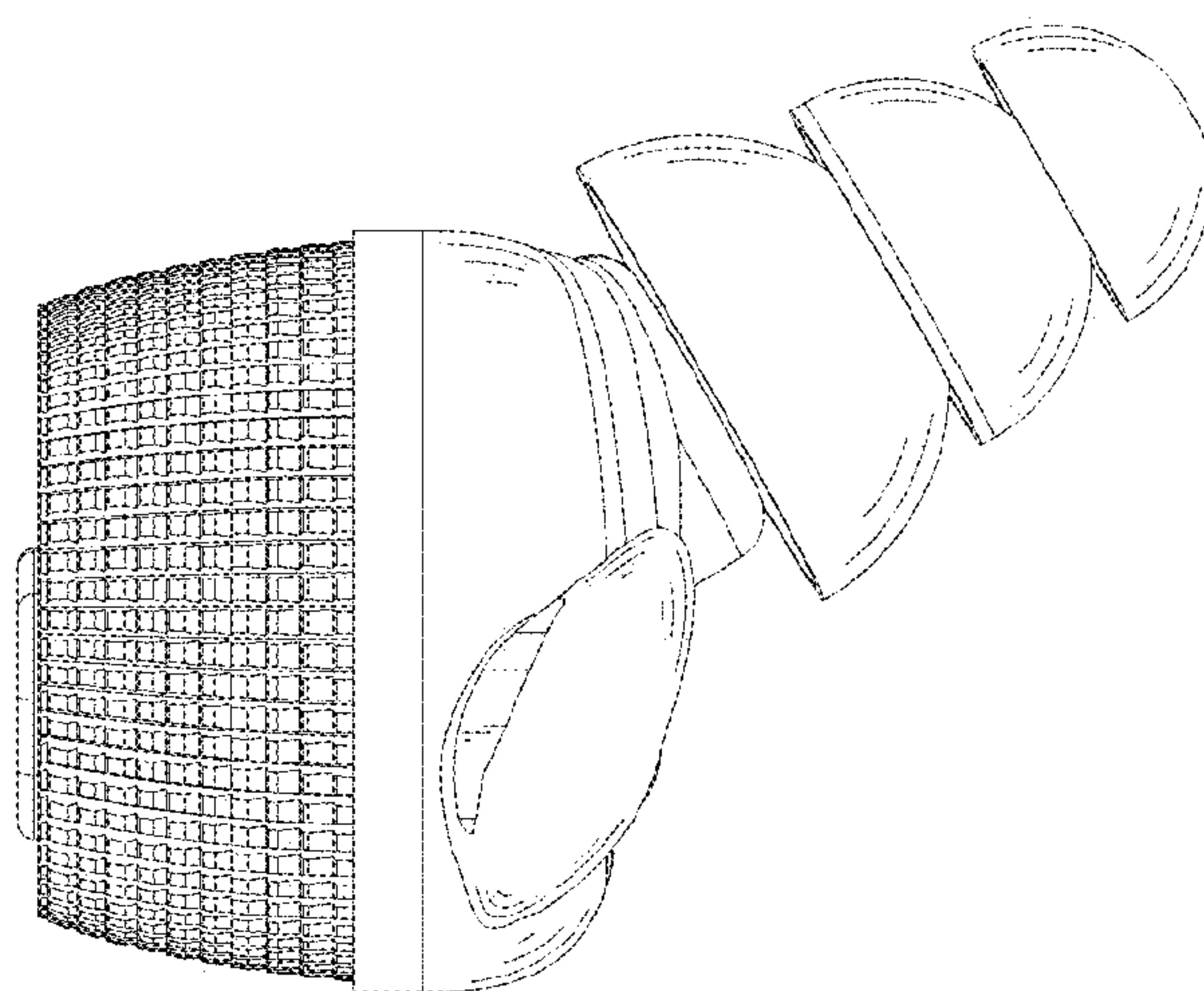


FIG. 6

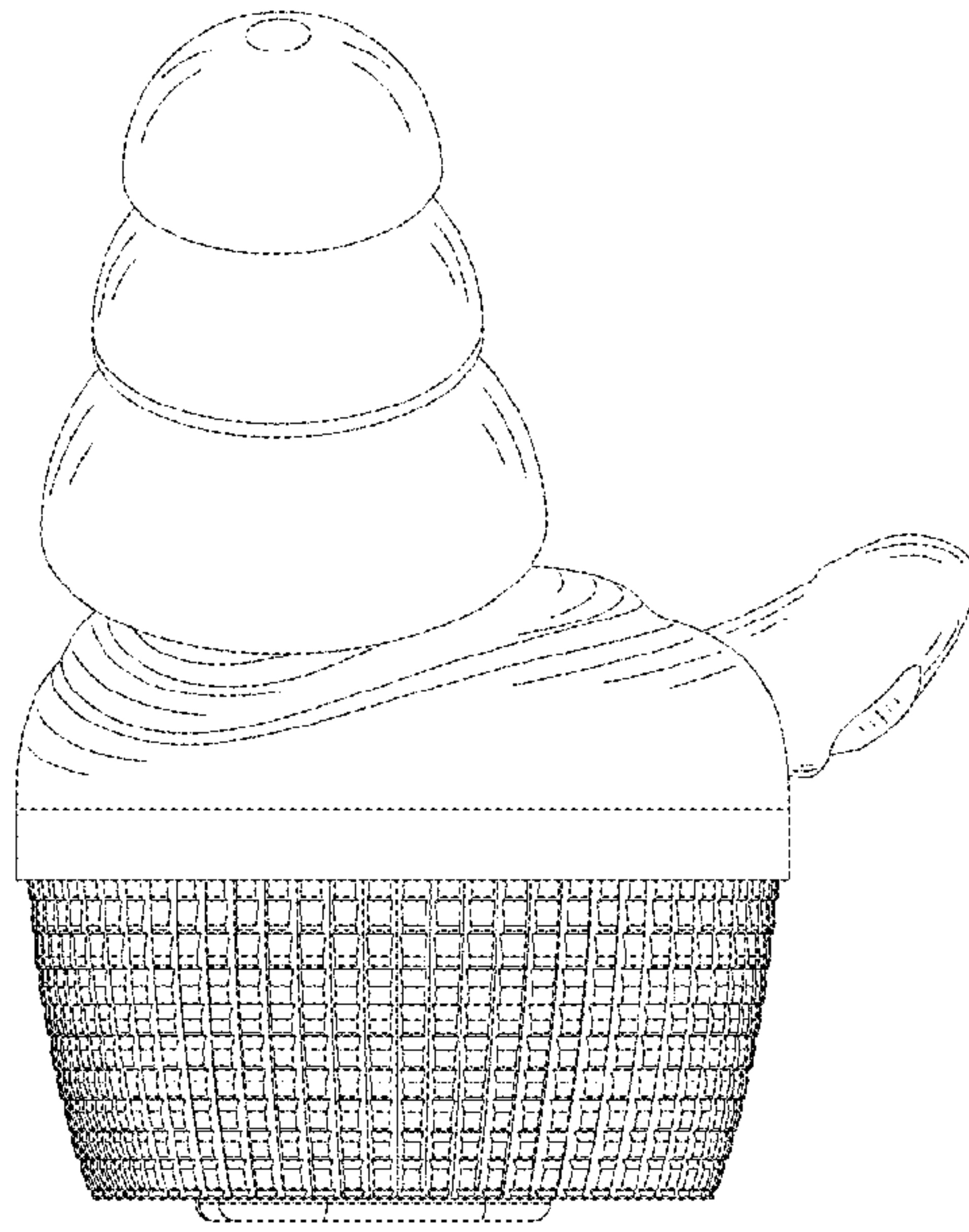


FIG. 7

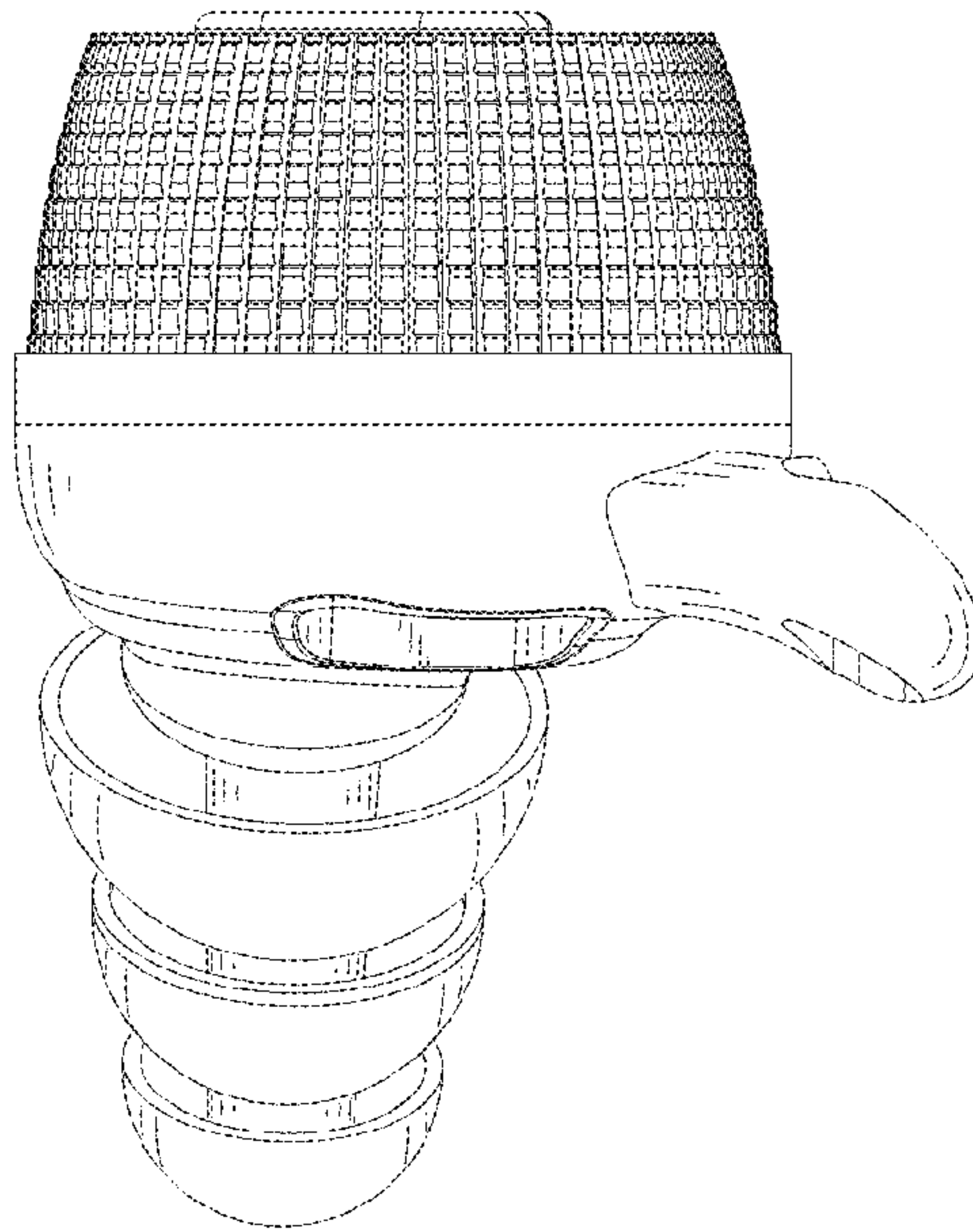


FIG. 8