



US00D984981S

(12) **United States Design Patent** (10) **Patent No.:** **US D984,981 S**
Vuorivirta (45) **Date of Patent:** **** May 2, 2023**

(54) **SPEAKER**

(71) Applicant: **Inter IKEA Systems B.V.**, LN Delft (NL)

(72) Inventor: **Iina Pauliina Vuorivirta**, Helsingborg (SE)

(73) Assignee: **INTER IKEA SYSTEMS B.V.**, Delft (NL)

(**) Term: **15 Years**

(21) Appl. No.: **29/775,227**

(22) Filed: **Mar. 22, 2021**

(30) **Foreign Application Priority Data**

Oct. 2, 2020 (EM) 008193049

(51) **LOC (14) Cl.** **14-01**

(52) **U.S. Cl.**
USPC **D14/216**

(58) **Field of Classification Search**
USPC ... D14/216, 211, 203.1, 204, 210, 212, 213,
D14/215, 219, 221, 172, 188, 194, 197,
D14/496; D26/37, 49, 93, 103, 104, 110
CPC G06F 1/1688; G10K 9/22; G10K 11/004;
H04N 5/642; H04R 1/02; H04R 1/025;
H04R 1/323; H04R 5/02; H04R 9/06;
H04R 2400/00; H04S 3/00
See application file for complete search history.

(56) **References Cited**

U.S. PATENT DOCUMENTS

D786,829 S * 5/2017 Wang D14/204
D843,418 S * 3/2019 Demin D14/496
D879,357 S * 3/2020 Vuorivirta D26/104
D885,640 S * 5/2020 Civelekoglu H04R 9/025
D26/104

D932,088 S * 9/2021 Zhang D26/110
D946,553 S * 3/2022 Cen D14/496
2018/0220213 A1* 8/2018 Wu H04R 9/025

FOREIGN PATENT DOCUMENTS

CN 306955944 * 11/2021
EM 008193049-0002 * 10/2020
GB 6161538 * 10/2020

OTHER PUBLICATIONS

Symfonisk, oldest review Mar. 4, 2022, Ikea, site visited Dec. 9, 2022: <https://www.ikea.com/us/en/p/symfonisk-speaker-lamp-base-with-wifi-white-smart-30487311/#content> (Year: 2022).*

* cited by examiner

Primary Examiner — Leanne Was-Englehart
Assistant Examiner — Alison Davis
(74) *Attorney, Agent, or Firm* — Tucker Ellis LLP

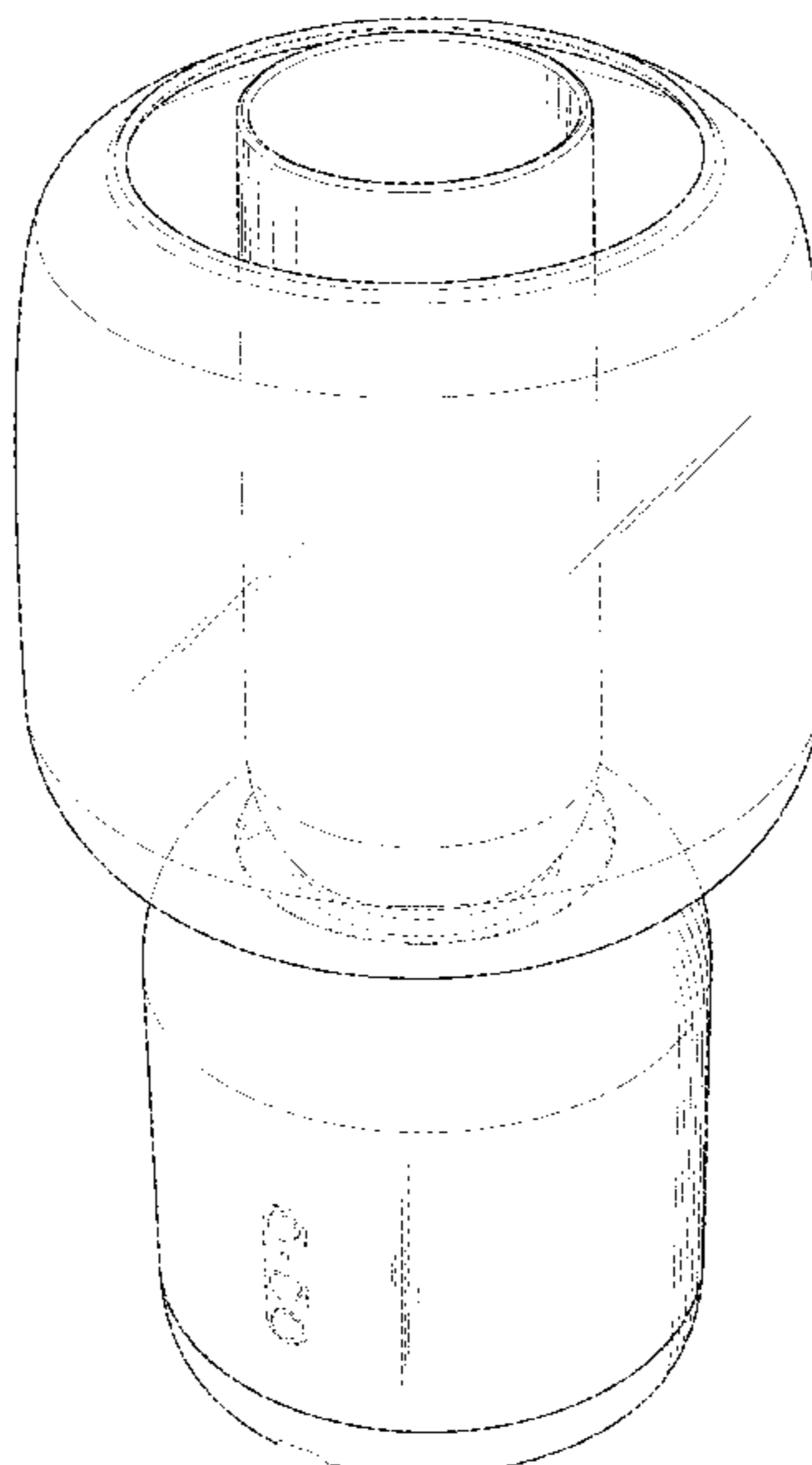
(57) **CLAIM**

The ornamental design for a speaker, as shown and described.

DESCRIPTION

FIG. 1 is a front, left side and top perspective view of a speaker showing my new design;
FIG. 2 is a rear, left side and bottom perspective view thereof;
FIG. 3 is a front view thereof;
FIG. 4 is a rear view thereof;
FIG. 5 is a top view thereof;
FIG. 6 is a bottom view thereof;
FIG. 7 is a left side view thereof; and,
FIG. 8 is a right side view thereof.
The broken lines in the drawings illustrate portions of the speaker that form no part of the claimed design.

1 Claim, 8 Drawing Sheets



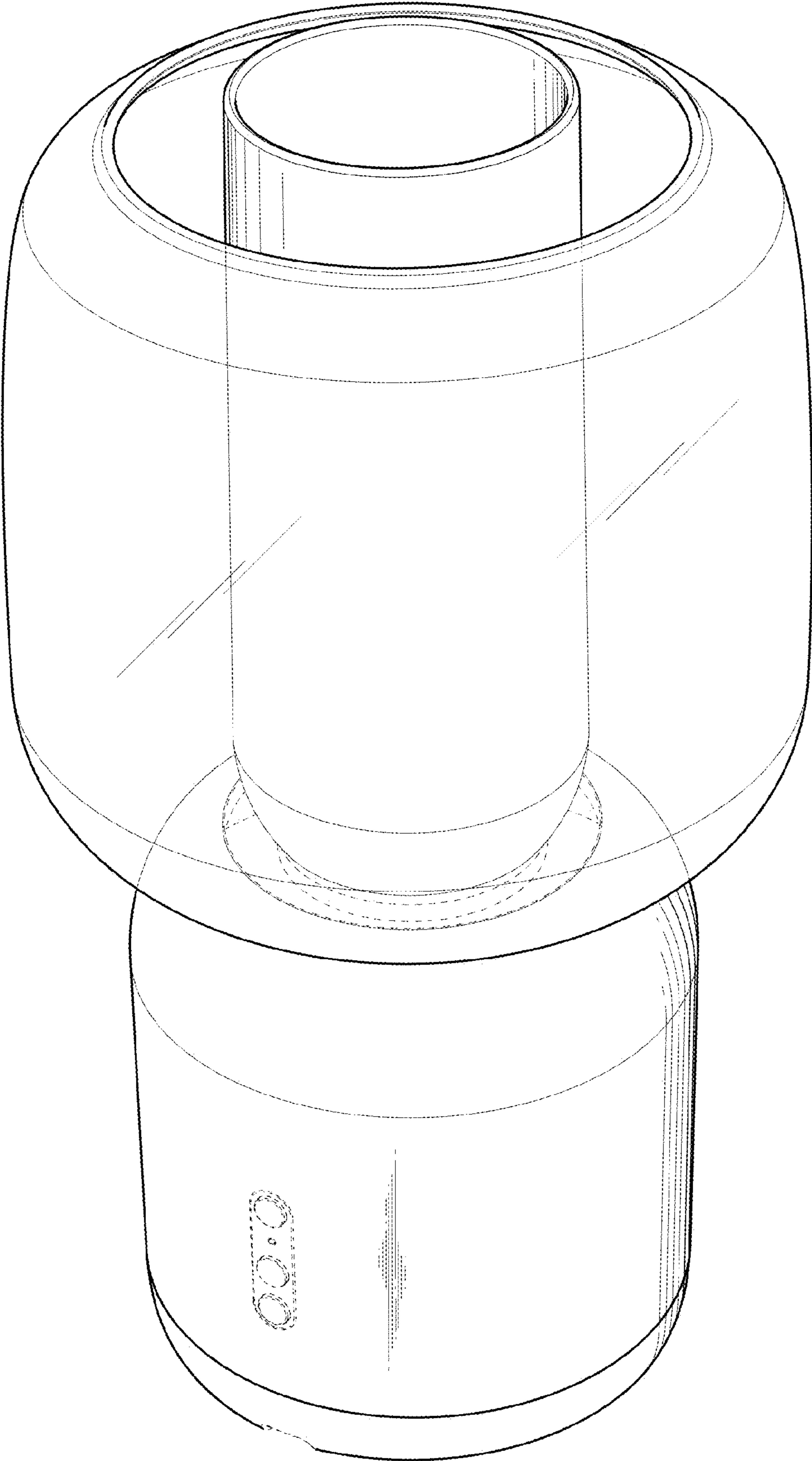


FIG. 1

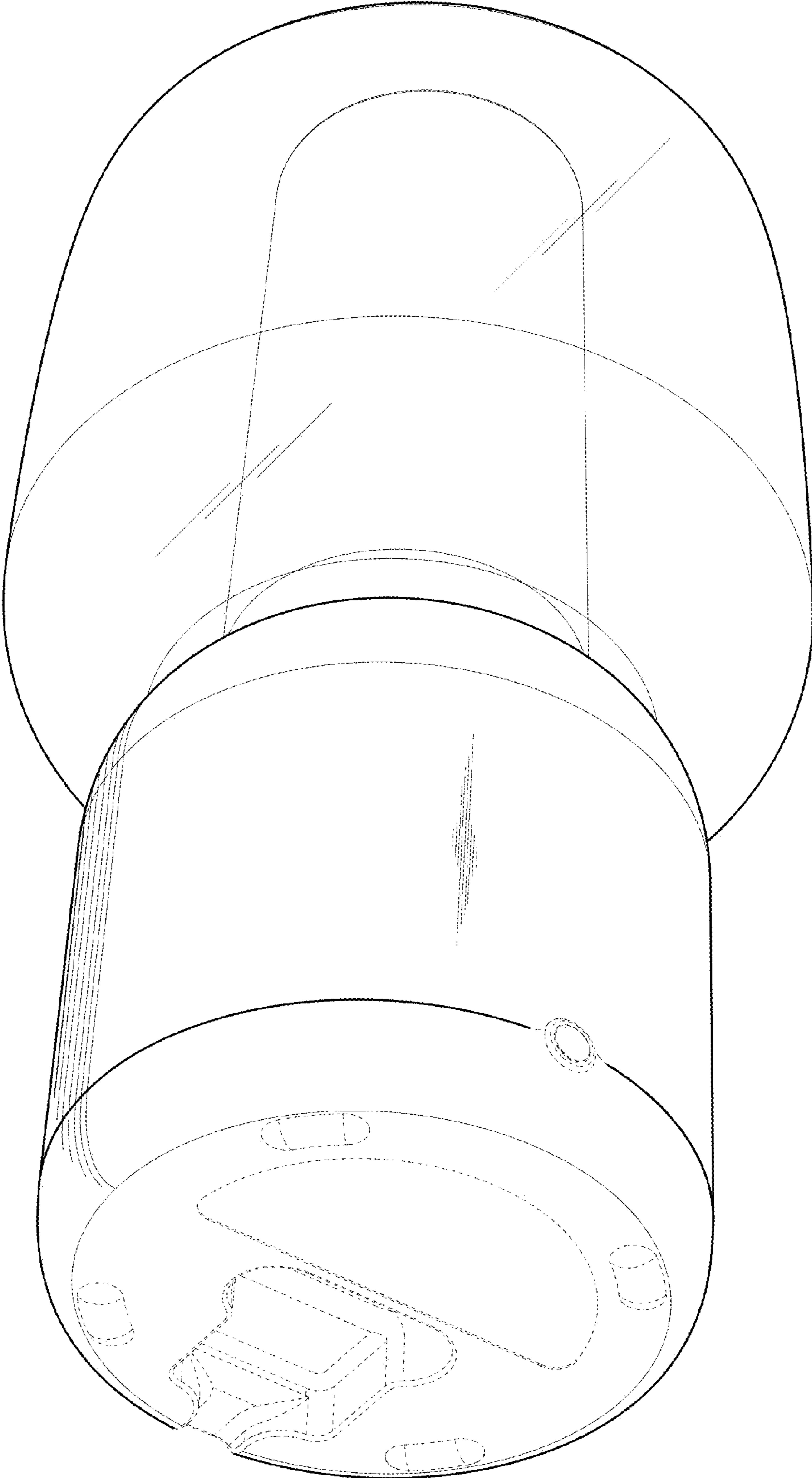


FIG. 2

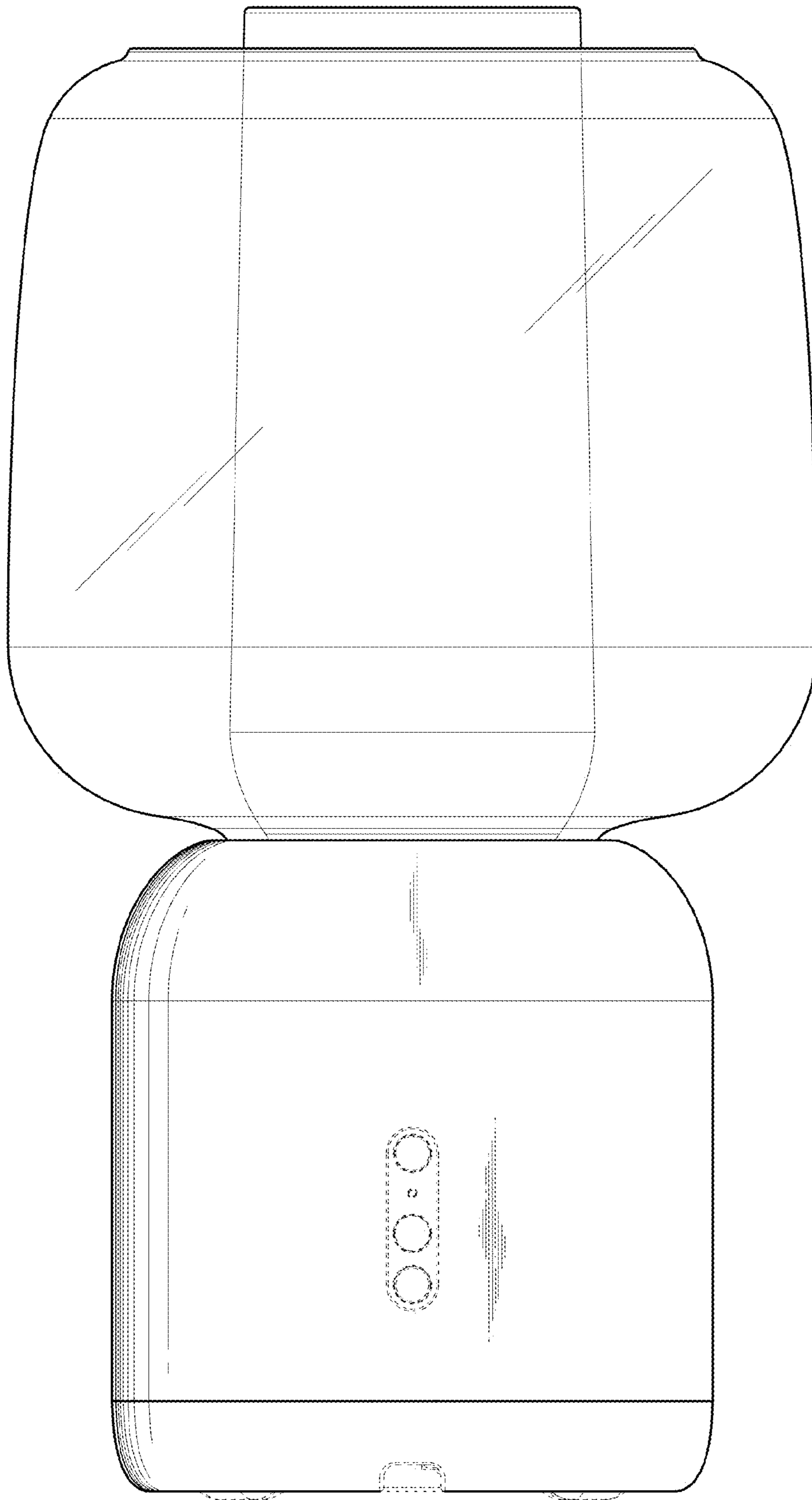


FIG. 3

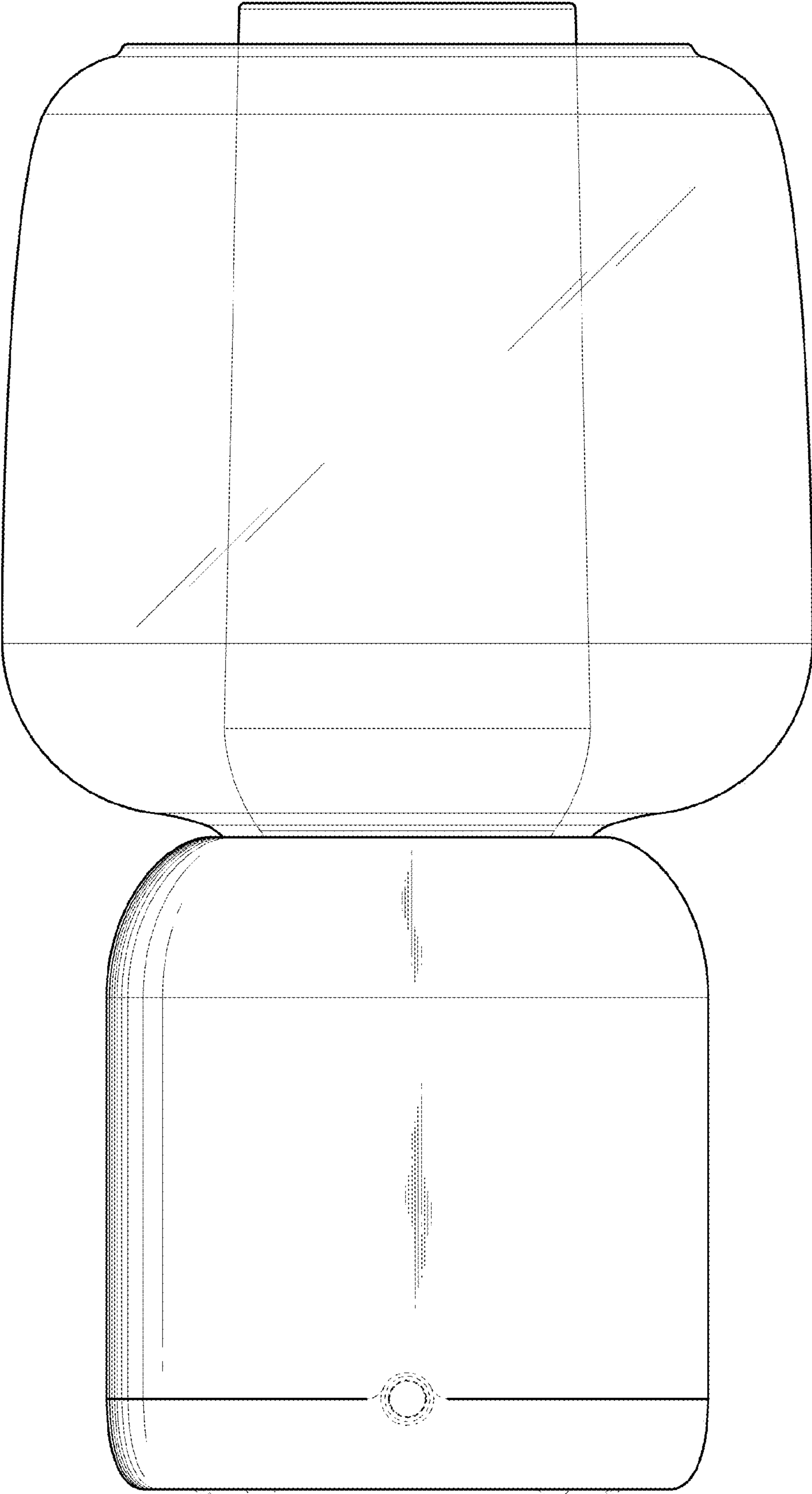


FIG. 4

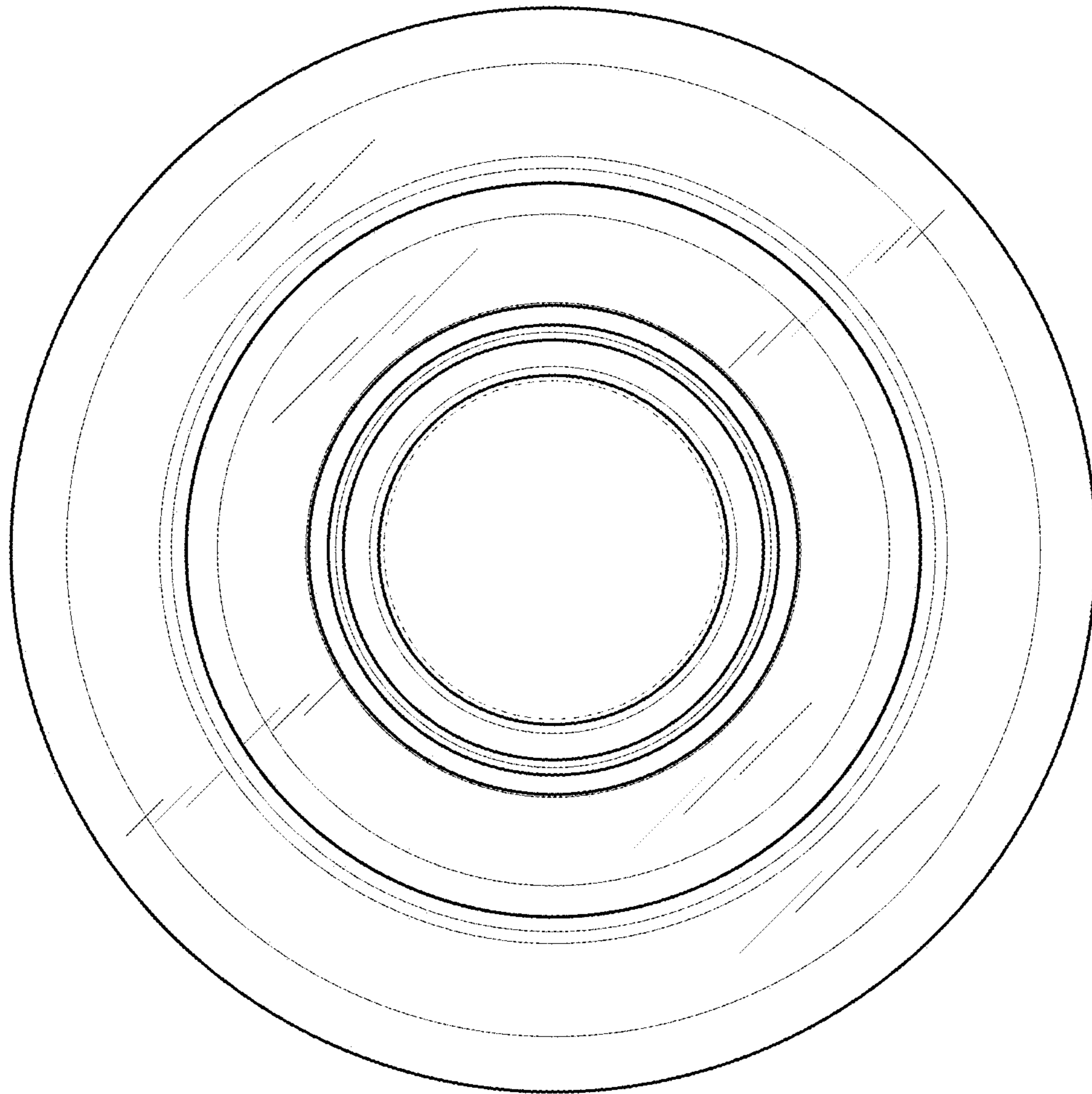


FIG. 5

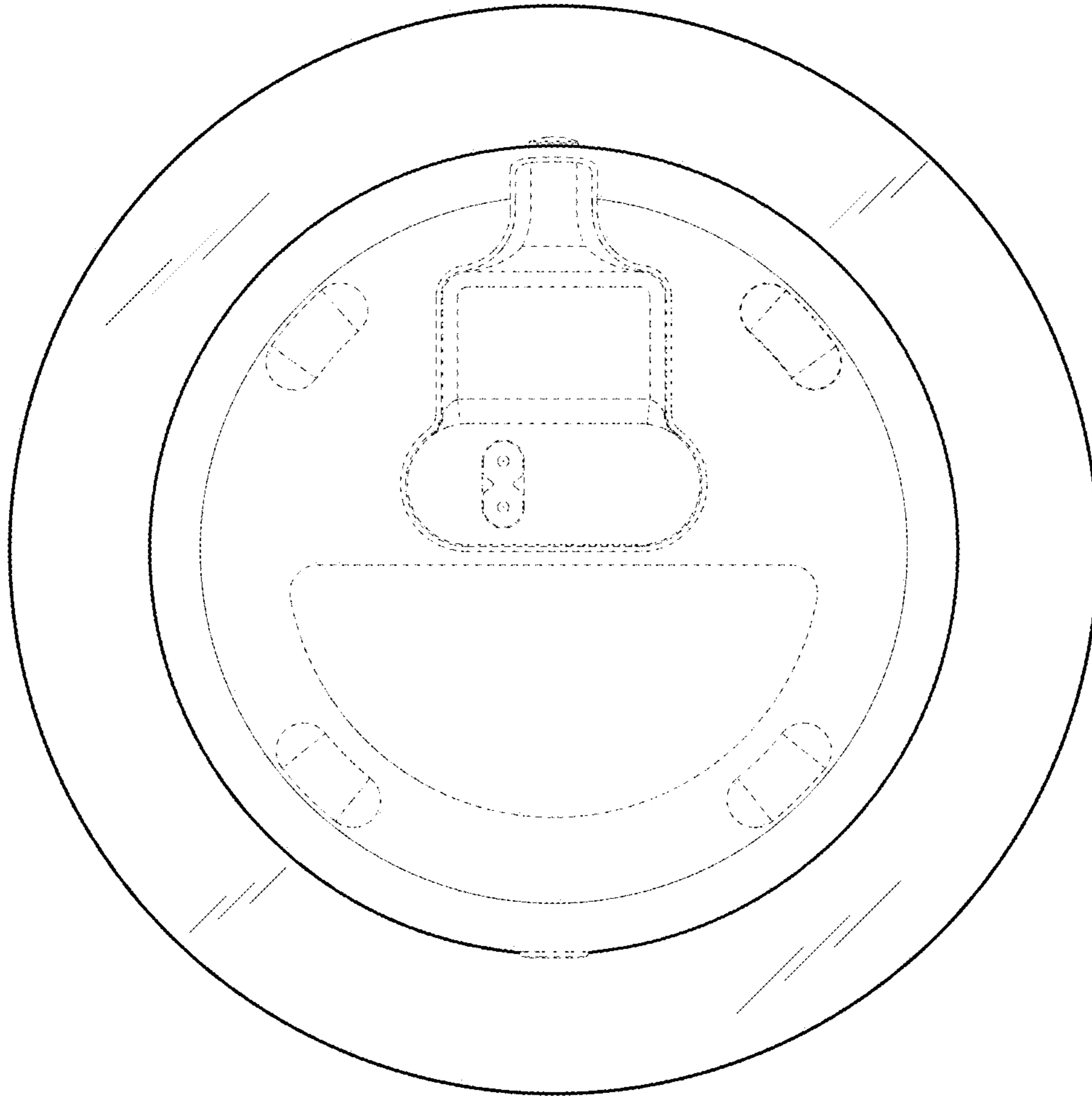


FIG. 6

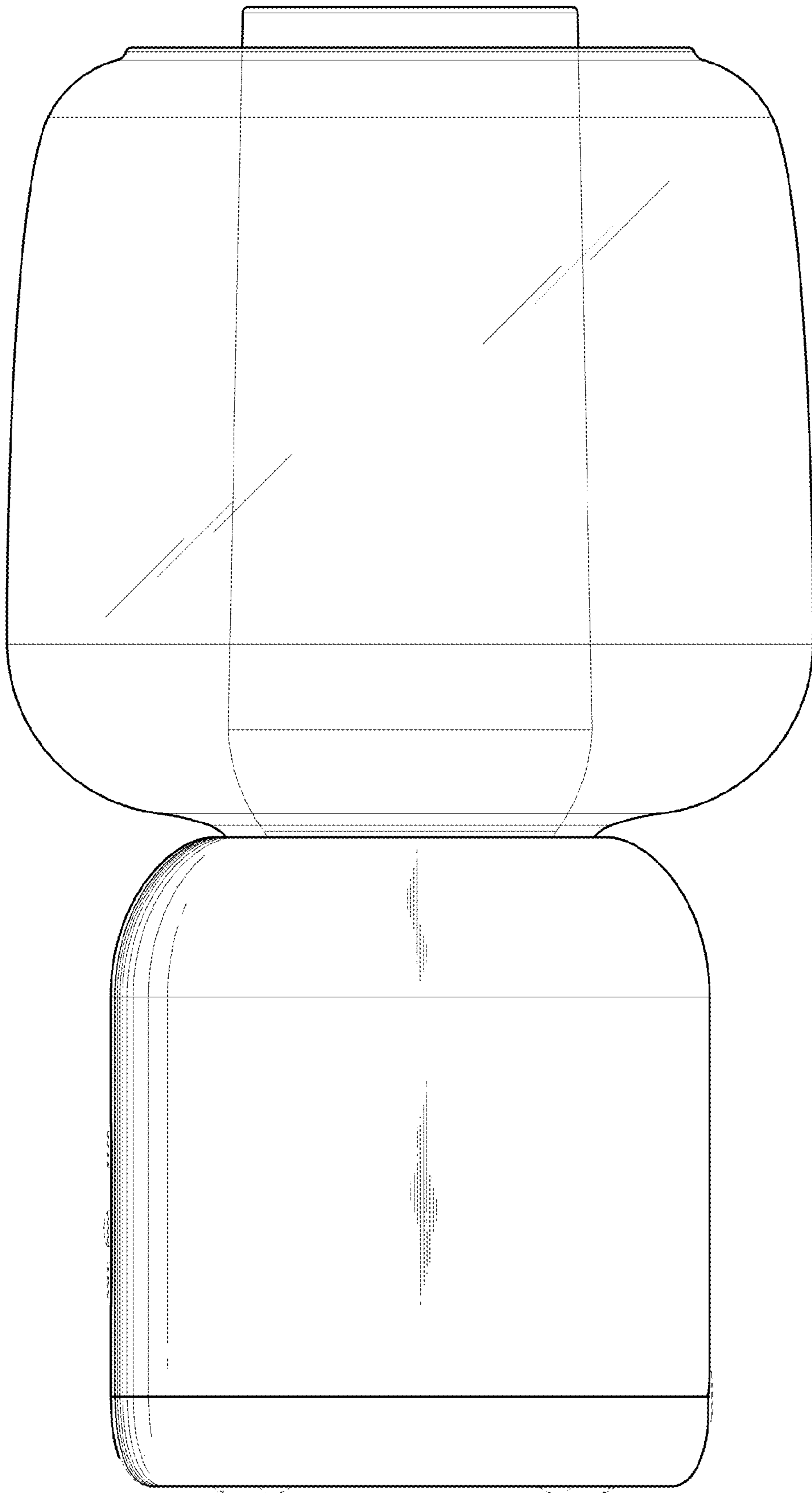


FIG. 7

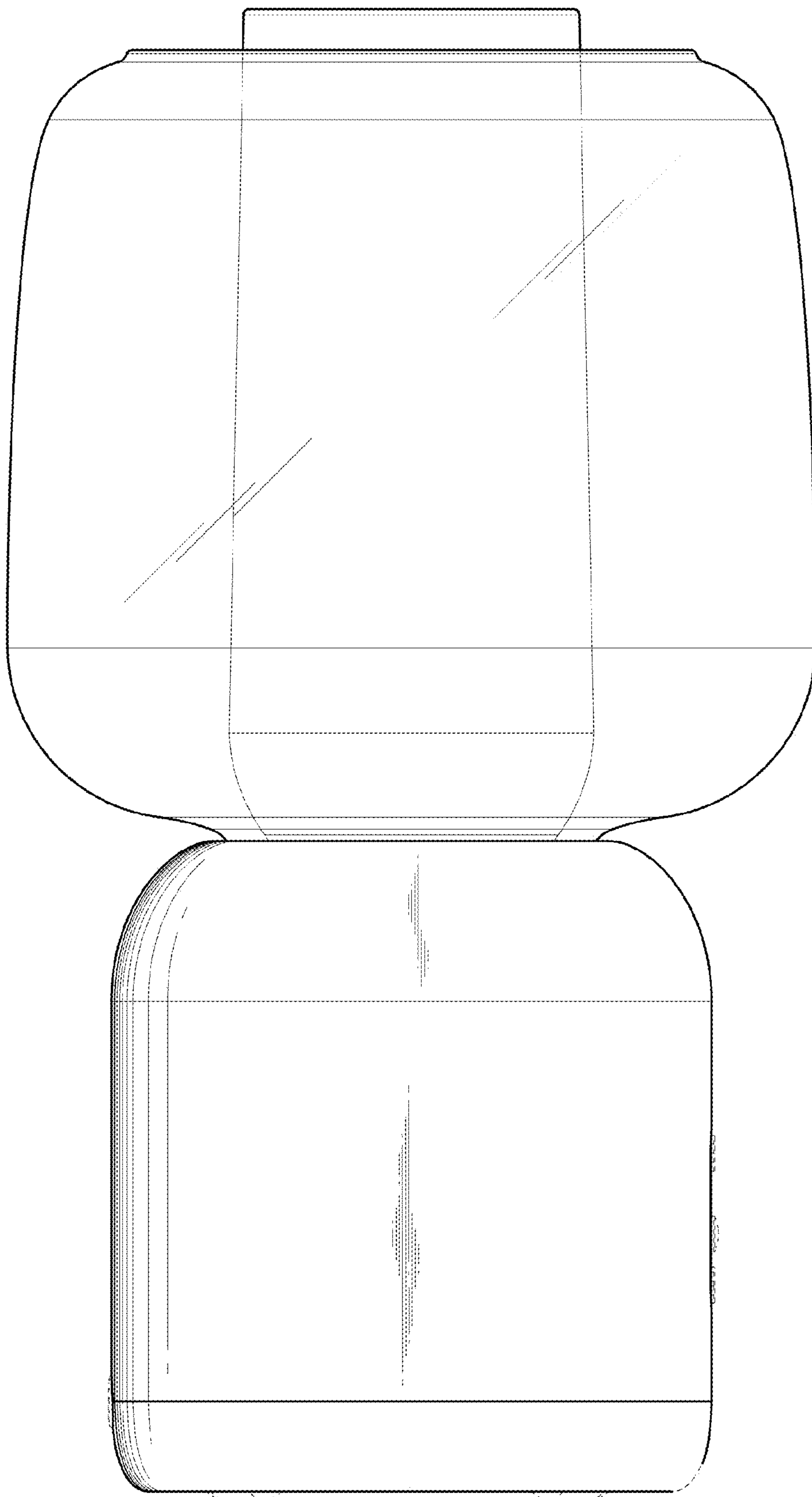


FIG. 8