



US00D984980S

(12) **United States Design Patent** (10) **Patent No.:** **US D984,980 S**
Vuorivirta (45) **Date of Patent:** **** May 2, 2023**

(54) **SPEAKER**

FOREIGN PATENT DOCUMENTS

- (71) Applicant: **Inter IKEA Systems B.V.**, LN Delft (NL)
- (72) Inventor: **Iina Pauliina Vuorivirta**, Helsingborg (SE)
- (73) Assignee: **INTER IKEA SYSTEMS B.V.**, Delft (NL)
- (**) Term: **15 Years**
- (21) Appl. No.: **29/775,224**
- (22) Filed: **Mar. 22, 2021**

CN	305851256	*	6/2020
CN	306955943	*	11/2021
EM	002028373-0002	*	4/2012
EM	008193049-0001	*	12/2021

OTHER PUBLICATIONS

Aria Glass Table Lamp, unknown date, Pottery Barn, site visited Dec. 9, 2022: <https://www.potterybarn.com/products/aria-table-lamp/> (Year: 2022).*

Symfonisk, oldest review Mar. 4, 2022, Ikea, site visited Dec. 9, 2022: <https://www.ikea.com/us/en/p/symfonisk-speaker-lamp-base-with-wifi-white-smart-30487311/#content> (Year: 2022).*

* cited by examiner

(30) **Foreign Application Priority Data**

Oct. 2, 2020 (EM) 008193049

(51) **LOC (14) Cl.** **14-01**

(52) **U.S. Cl.**
USPC **D14/216**

(58) **Field of Classification Search**
USPC ... D14/216, 211, 203.1, 204, 210, 212, 213, D14/215, 219, 221, 172, 188, 194, 197, D14/496; D26/37, 49, 93, 103, 104, 110
CPC G06F 1/1688; G10K 9/22; G10K 11/004; H04N 5/642; H04R 1/02; H04R 1/025; H04R 1/323; H04R 5/02; H04R 9/06; H04R 2400/00; H04S 3/00

See application file for complete search history.

(56) **References Cited**

U.S. PATENT DOCUMENTS

D215,449 S	*	10/1969	Kaminski	D26/112
D733,348 S	*	6/2015	Dolan	D26/93
D786,829 S	*	5/2017	Wang	D14/204
D817,923 S	*	5/2018	Hong	D26/52
D822,264 S	*	7/2018	Li	H04R 1/025
					D26/104
D870,701 S	*	12/2019	Lee	D14/216
2021/0112321 A1	*	4/2021	Waldon	H04R 1/025

Primary Examiner — Leanne Was-Englehart

Assistant Examiner — Alison Davis

(74) *Attorney, Agent, or Firm* — Tucker Ellis LLP

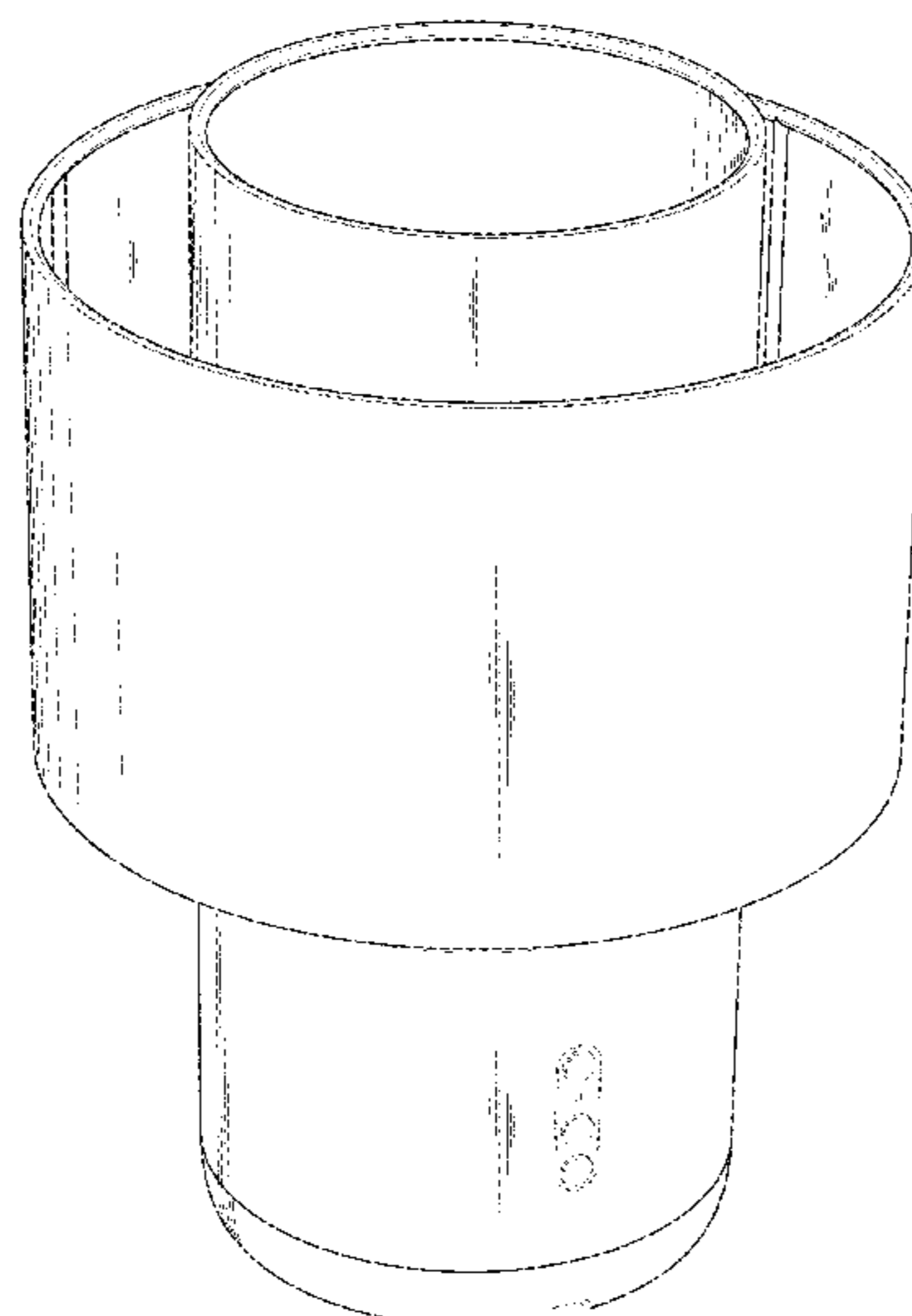
(57) **CLAIM**

The ornamental design for a speaker, as shown and described.

DESCRIPTION

FIG. 1 is a front, right side and top perspective view of a speaker showing my new design;
FIG. 2 is a rear, right side and bottom perspective view thereof;
FIG. 3 is a front view thereof;
FIG. 4 is a rear view thereof;
FIG. 5 is a top view thereof;
FIG. 6 is a bottom view thereof;
FIG. 7 is a left side view thereof; and,
FIG. 8 is a right side view thereof.
The broken lines in the drawings illustrate portions of the speaker that form no part of the claimed design.

1 Claim, 8 Drawing Sheets



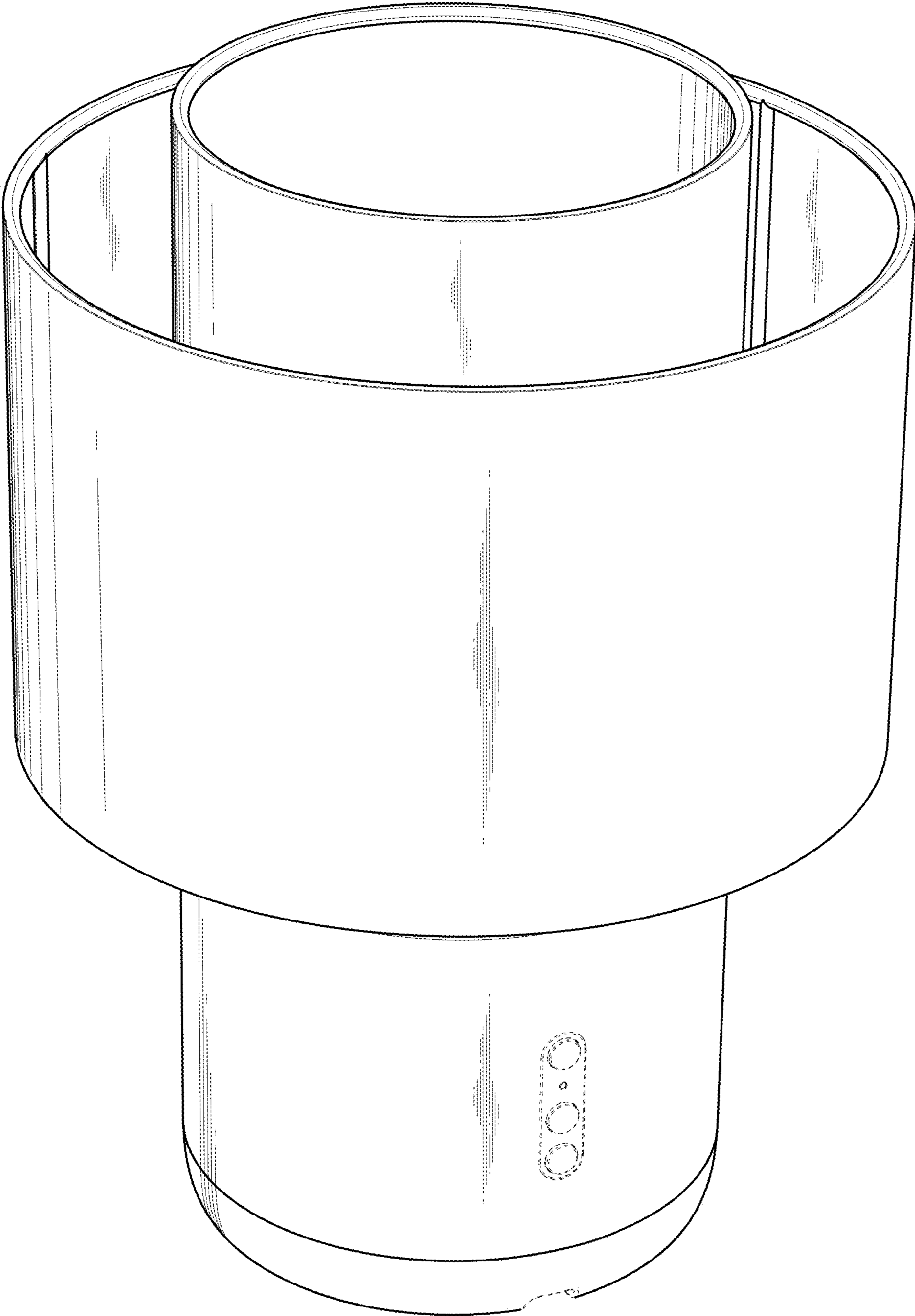


FIG. 1

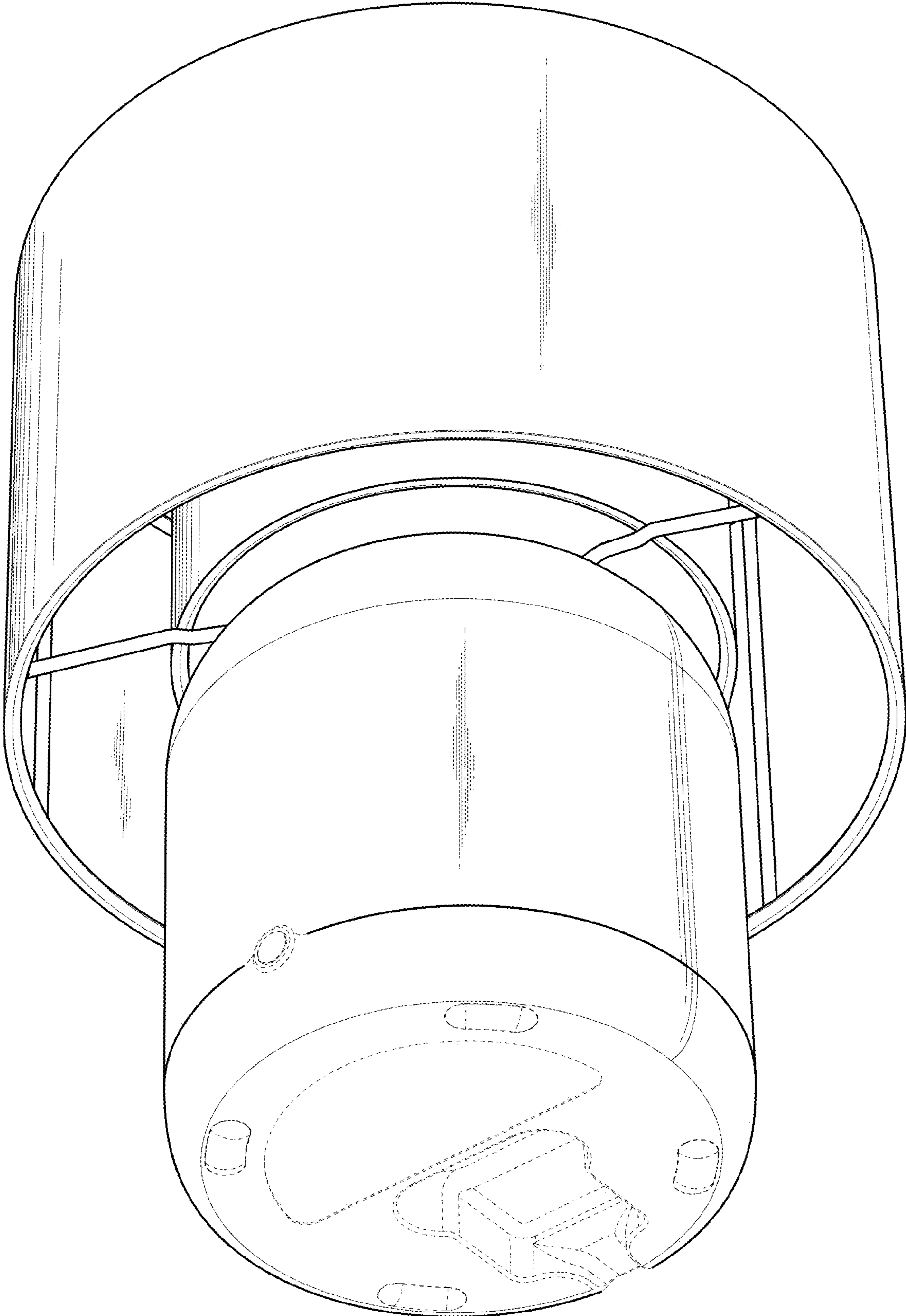


FIG. 2

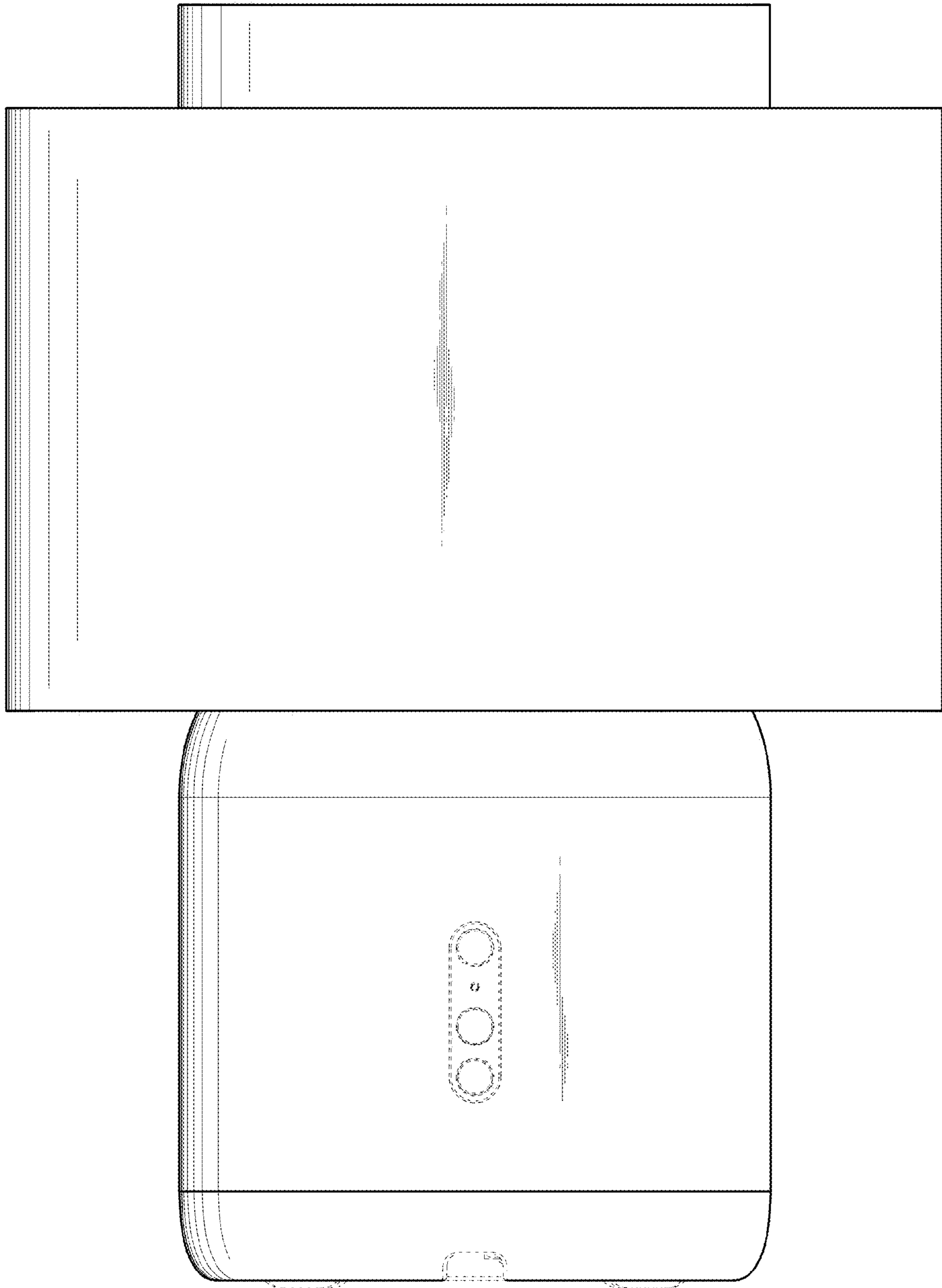


FIG. 3

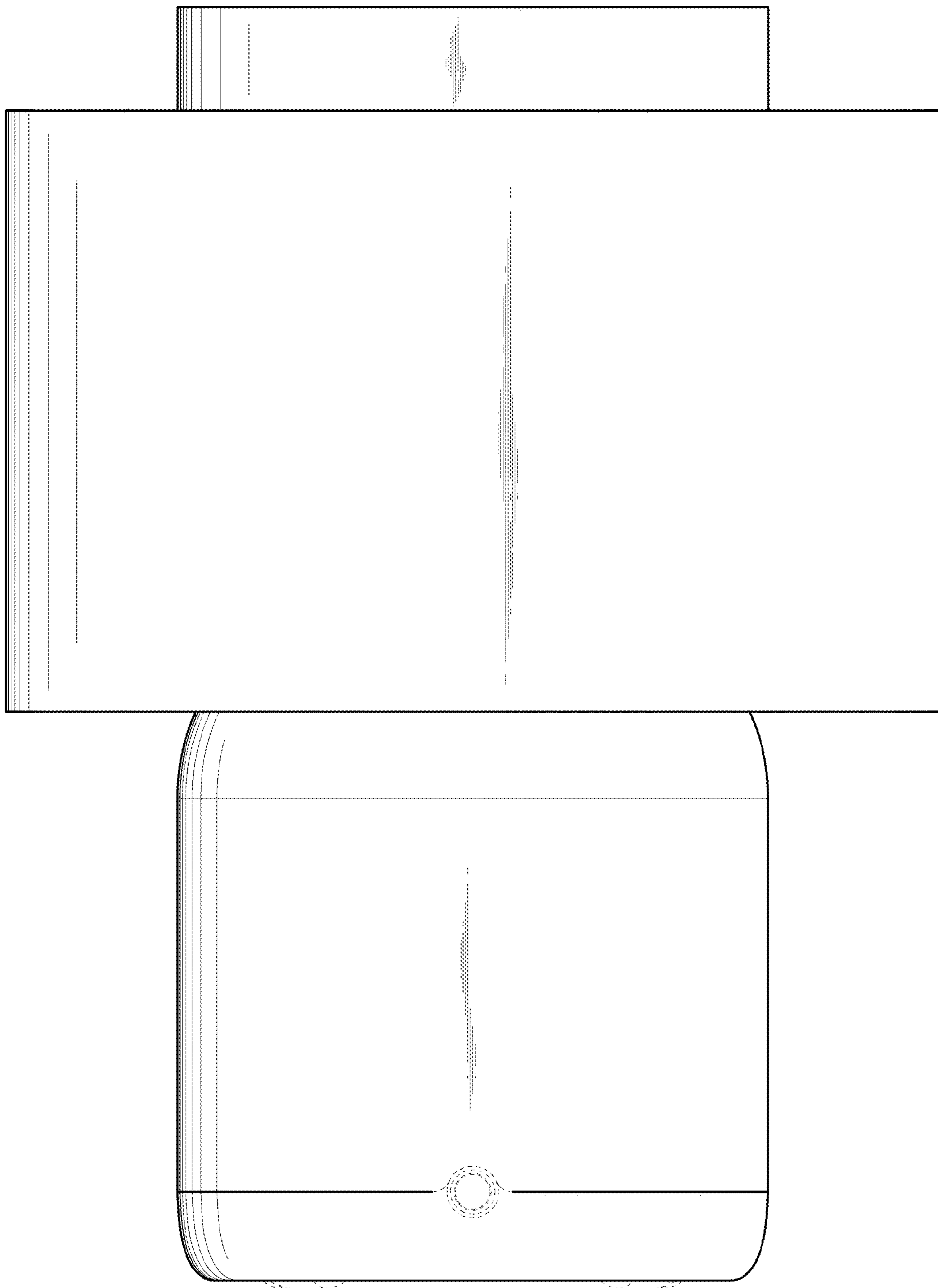


FIG. 4

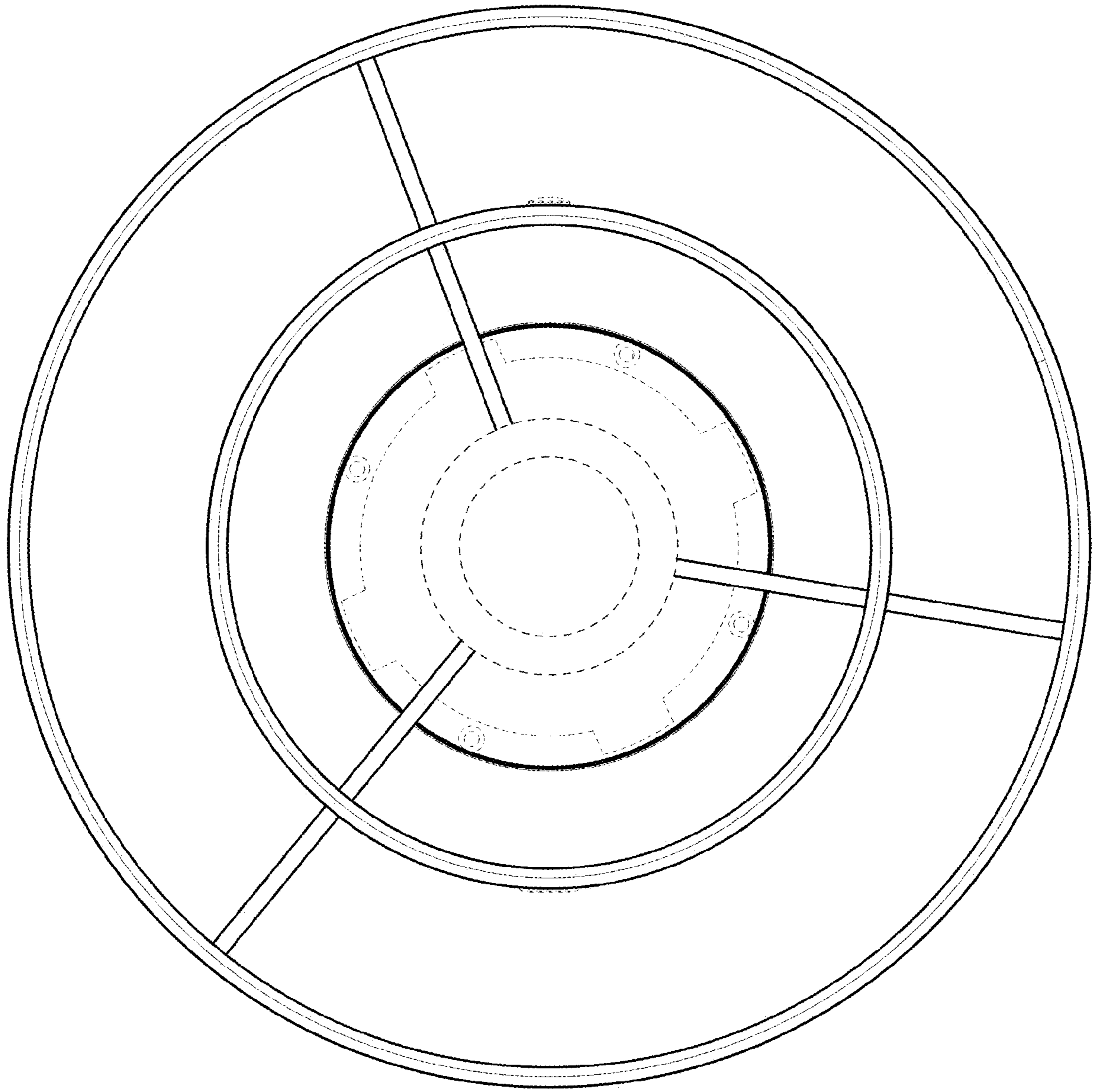


FIG. 5

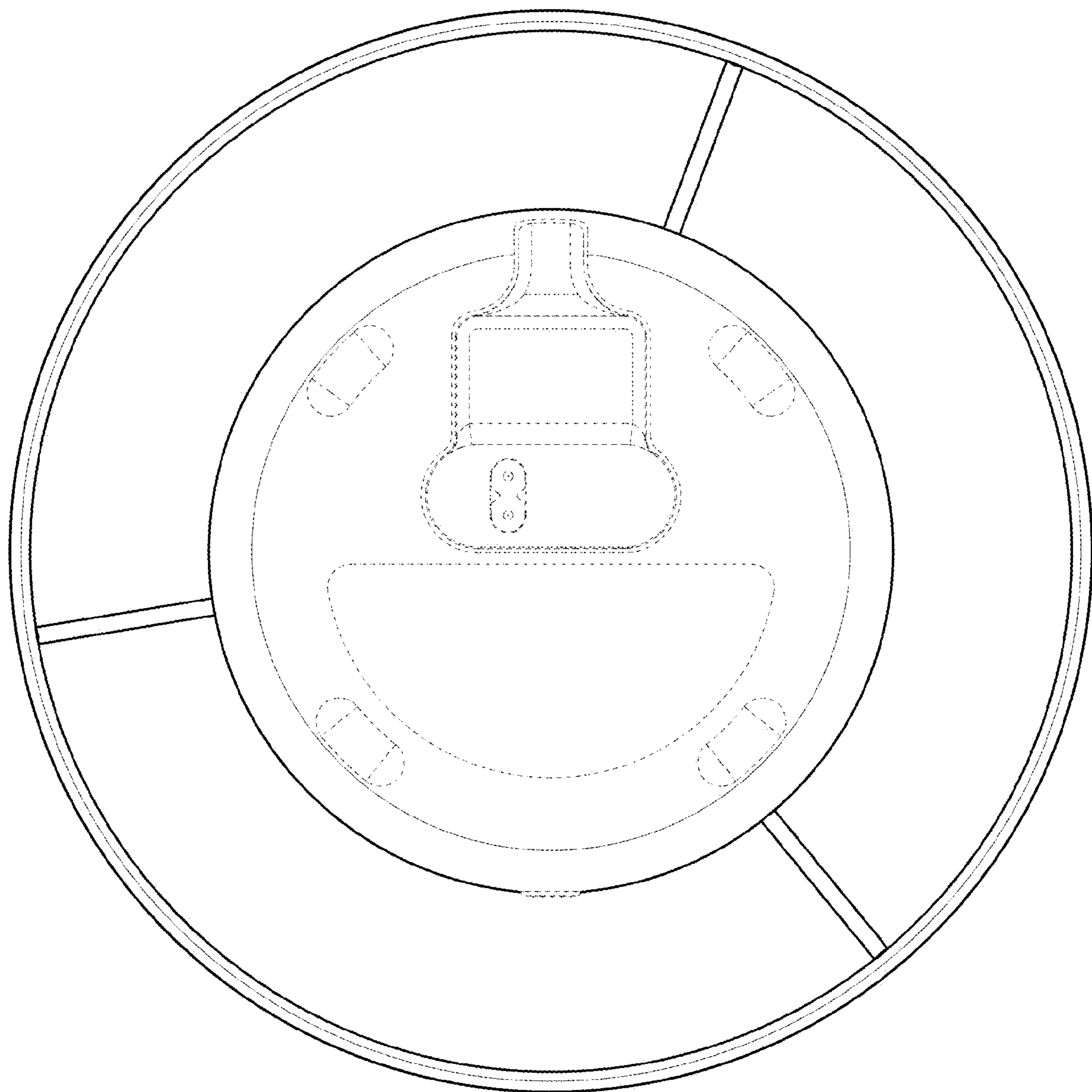


FIG. 6

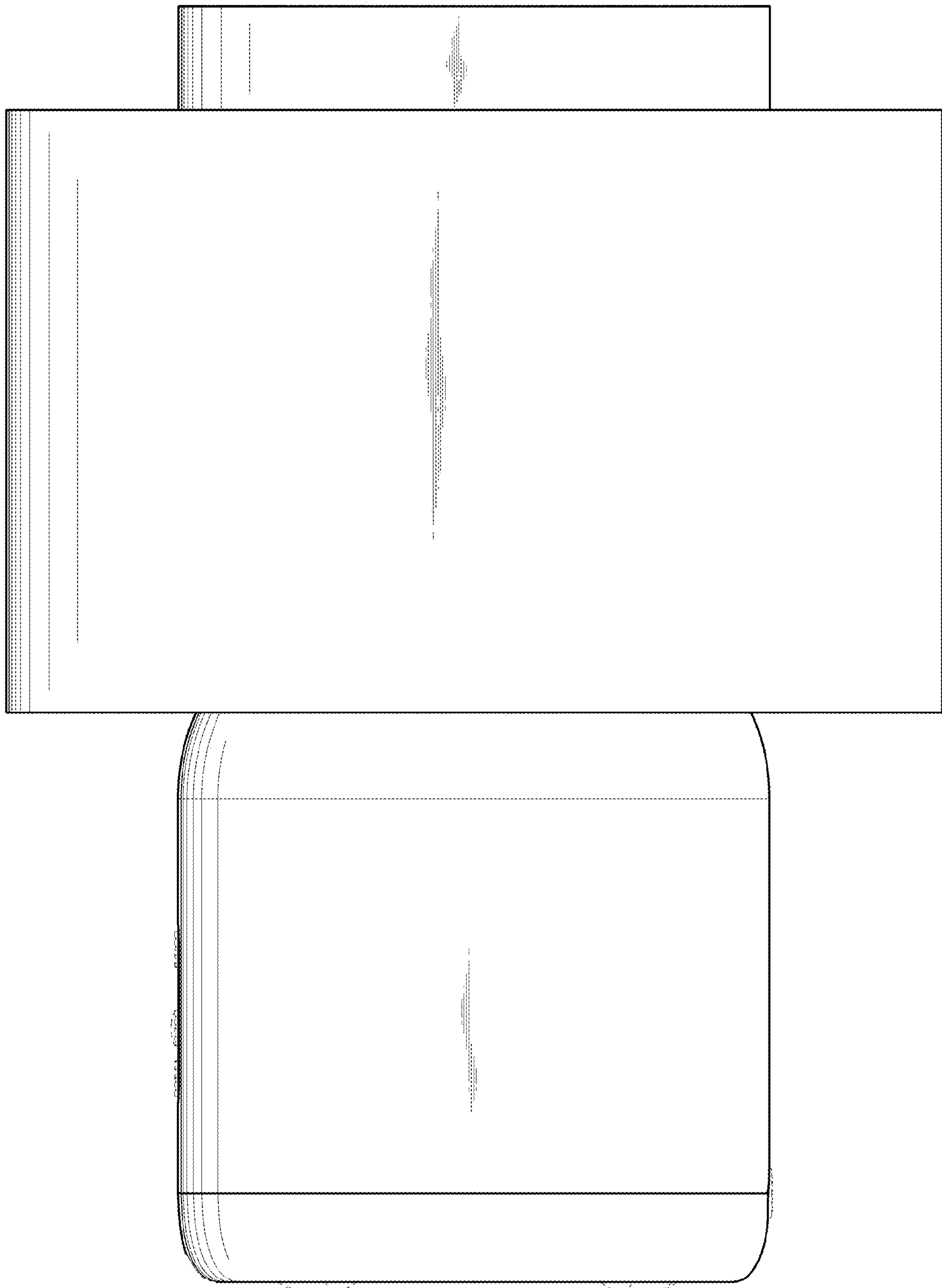


FIG. 7

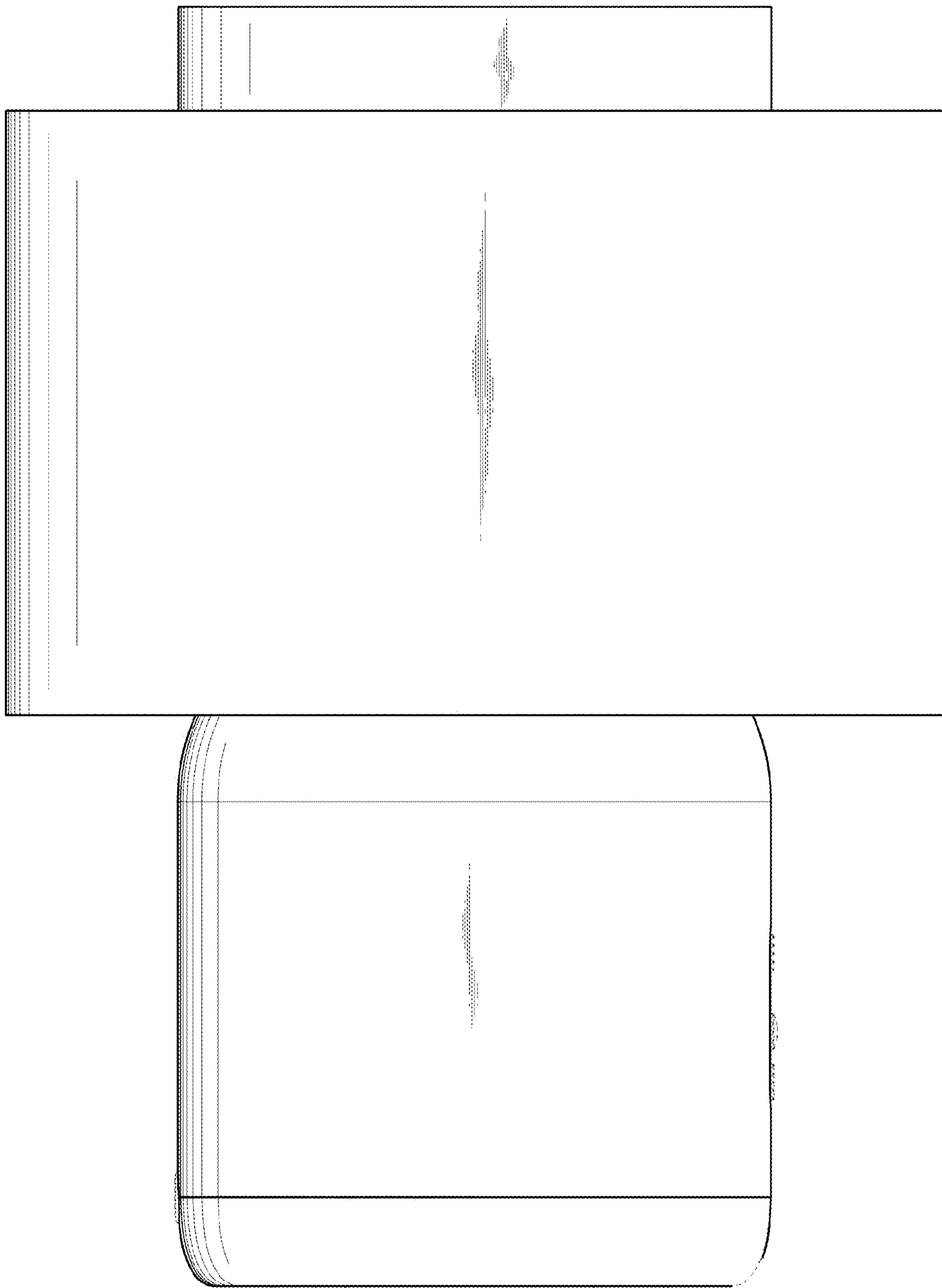


FIG. 8