



US00D984979S

(12) **United States Design Patent**
Choi et al.

(10) **Patent No.:** **US D984,979 S**

(45) **Date of Patent:** **** May 2, 2023**

(54) **SPEAKER FOR A PORTABLE DIGITAL MULTIMEDIA PLAYER**

(71) Applicant: **LG ELECTRONICS INC.**, Seoul (KR)

(72) Inventors: **Sanghyun Choi**, Seoul (KR); **Seungil Lee**, Seoul (KR); **Hophil Lee**, Seoul (KR); **Jinwan Bae**, Seoul (KR)

(73) Assignee: **LG ELECTRONICS INC.**, Seoul (KR)

(**) Term: **15 Years**

(21) Appl. No.: **29/796,216**

(22) Filed: **Jun. 23, 2021**

(30) **Foreign Application Priority Data**

Jan. 4, 2021 (KR) 30-2021-0000184

(51) **LOC (14) Cl.** **14-01**

(52) **U.S. Cl.**
USPC **D14/214**

(58) **Field of Classification Search**
USPC ... D14/167, 188, 204, 209.1, 210, 211, 212,
D14/214, 215, 216, 221, 224; D13/108,
D13/110, 118

CPC H04R 1/02; H04R 1/025; H04R 1/026;
H04R 5/00; H04R 5/02

See application file for complete search history.

(56) **References Cited**

U.S. PATENT DOCUMENTS

D669,883 S * 10/2012 Cheng D14/214
D754,100 S * 4/2016 McManigal D14/214

D773,436 S * 12/2016 Kim D14/214
D774,491 S * 12/2016 Kim D14/214
D818,455 S * 5/2018 McManigal D14/214
D869,439 S * 12/2019 Kim D14/215
D900,785 S * 11/2020 Kim D14/214
D906,283 S * 12/2020 Schoolmeister D14/214
D906,286 S * 12/2020 Hung D14/214
D912,012 S * 3/2021 Kitazawa D14/214
D932,461 S * 10/2021 Hung D14/204
D949,821 S * 4/2022 Hung D14/204

* cited by examiner

Primary Examiner — Khawaja Anwar

Assistant Examiner — Megan Tiana Rakos

(74) *Attorney, Agent, or Firm* — Birch, Stewart, Kolasch & Birch, LLP

(57) **CLAIM**

The ornamental design for a speaker for a portable digital multimedia player, as shown and described.

DESCRIPTION

FIG. 1 is a front, right side, perspective view of a speaker for a portable digital multimedia player showing our new design;

FIG. 2 is a front view thereof;

FIG. 3 is a rear view thereof;

FIG. 4 is a left side view thereof;

FIG. 5 is a right side view thereof;

FIG. 6 is a top view thereof;

FIG. 7 is a bottom view thereof; and,

FIG. 8 is another perspective view shown in a usage condition.

The broken lines in FIG. 8 represents environment and forms no part of the claimed design.

1 Claim, 4 Drawing Sheets

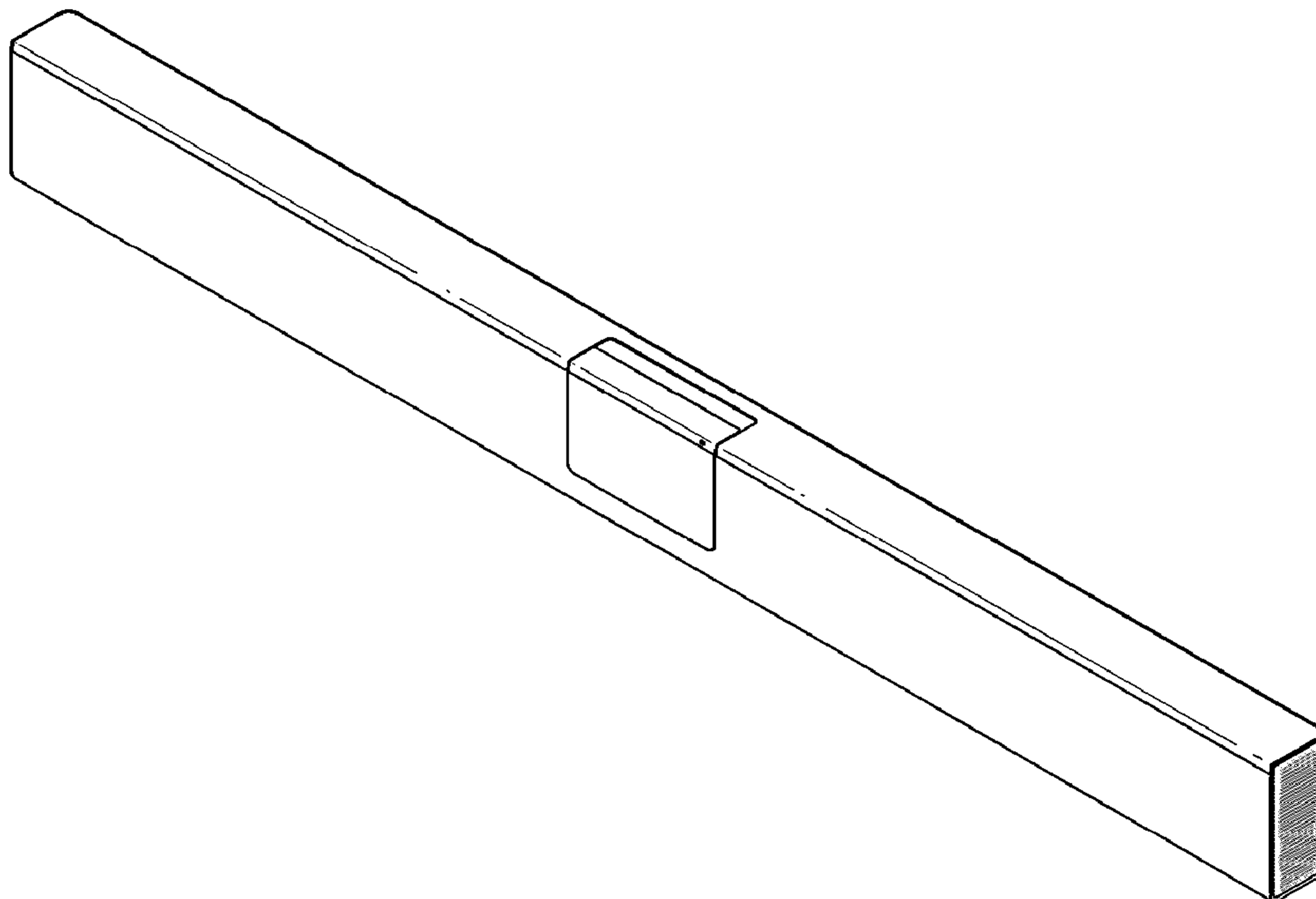


FIG. 1

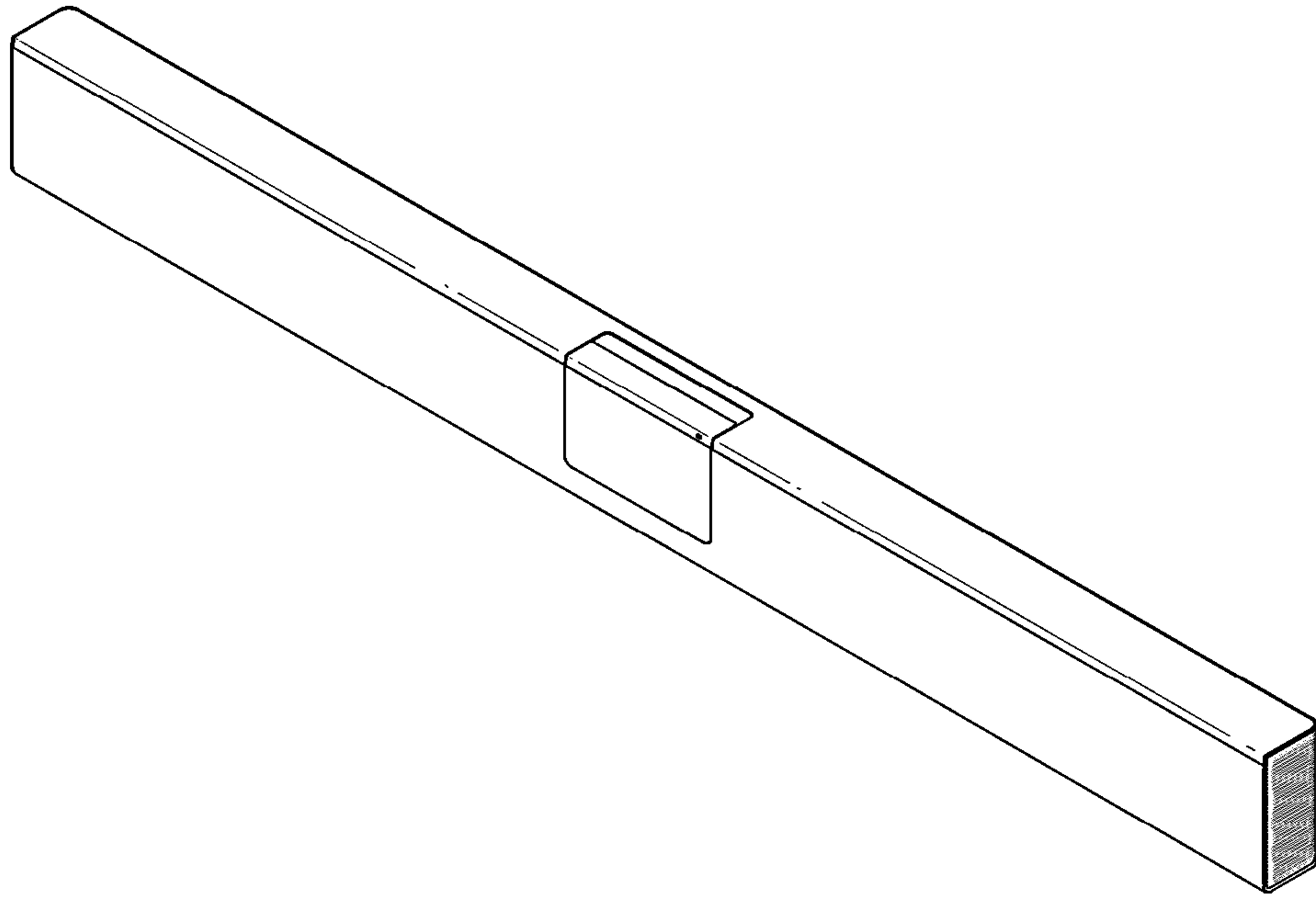


FIG. 2

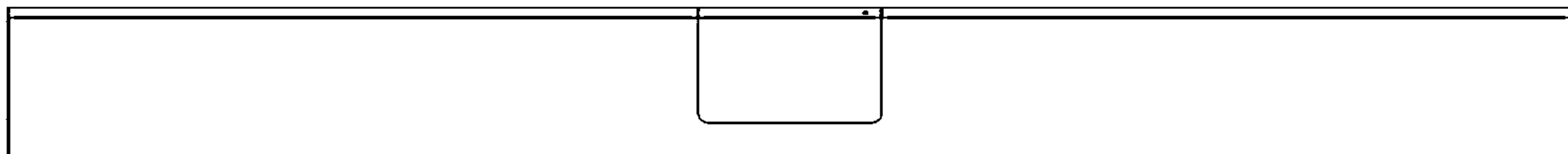


FIG. 3



FIG. 4

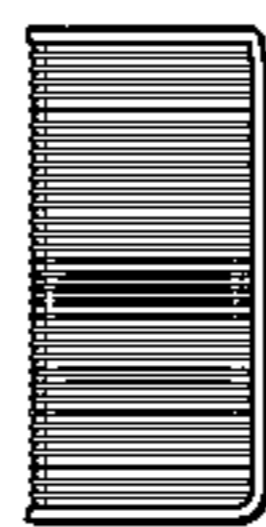


FIG. 5

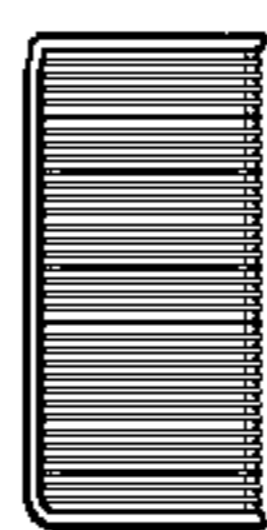


FIG. 6

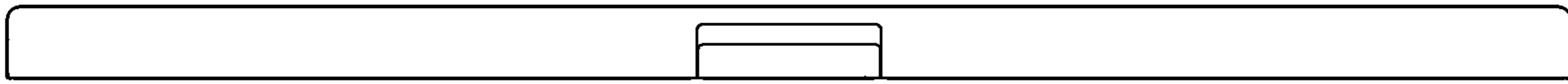


FIG. 7

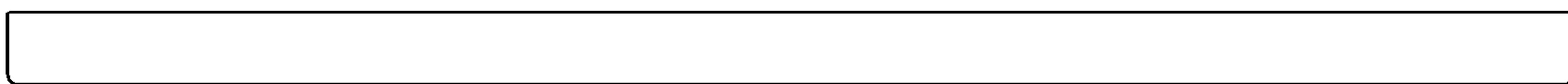


FIG. 8

