



US00D984976S

(12) **United States Design Patent** (10) **Patent No.:** **US D984,976 S**
Du (45) **Date of Patent:** **** May 2, 2023**

(54) **WIRELESS AUDIO SPEAKER**
(71) Applicant: **DONGGUAN PINMI ELECTRONIC TECHNOLOGY CO., LTD**, Dongguan (CN)
(72) Inventor: **Zhanyuan Du**, Kaifeng (CN)
(73) Assignee: **DONGGUAN PINMI ELECTRONIC TECHNOLOGY CO., LTD**, Dongguan (CN)

D900,052 S * 10/2020 Chen D14/155
D918,167 S * 5/2021 Wang D14/496
D921,603 S * 6/2021 Zhou D14/155

(Continued)

FOREIGN PATENT DOCUMENTS

EM 008554513-0002 * 6/2021
GB 6236315 * 10/2022

(Continued)

OTHER PUBLICATIONS

Sumind Car Bluetooth FM Transmitter, date first available: Aug. 27, 2017, [retrieved Jan. 12, 2023], Retrieved from Internet, URL: <https://www.amazon.com/dp/B07G57LTHY/ref=sspa_dk_detail_3?pd_rd_i=B07G57LTHY&pd_rd_w=q5Zvr&content-id=amzn1.sym.dd2c6db7-6626-4%E2%80%A6> (Year: 2017).*

(Continued)

Primary Examiner — Messina L Smith
Assistant Examiner — Aram Kwon

(**) Term: **15 Years**
(21) Appl. No.: **29/800,759**
(22) Filed: **Jul. 23, 2021**
(51) **LOC (14) Cl.** **14-03**
(52) **U.S. Cl.**
USPC **D14/157; D14/155**
(58) **Field of Classification Search**
USPC D14/155–159, 160–173, 187–188,
D14/189–198, 203.1–203.8, 204–216,
D14/217–222, 224–229, 251–253,
D14/257–258, 447–452, 457, 492, 496,
D14/498–506; D6/672–673, 675.1, 682
CPC H04R 1/02; H04R 1/021; H04R 1/025;
H04R 1/026; H04R 1/028; H04R 1/06;
H04R 1/105; H04R 1/323; H04R 1/403;
H04R 1/2803; H04R 1/2834
See application file for complete search history.

(57) **CLAIM**

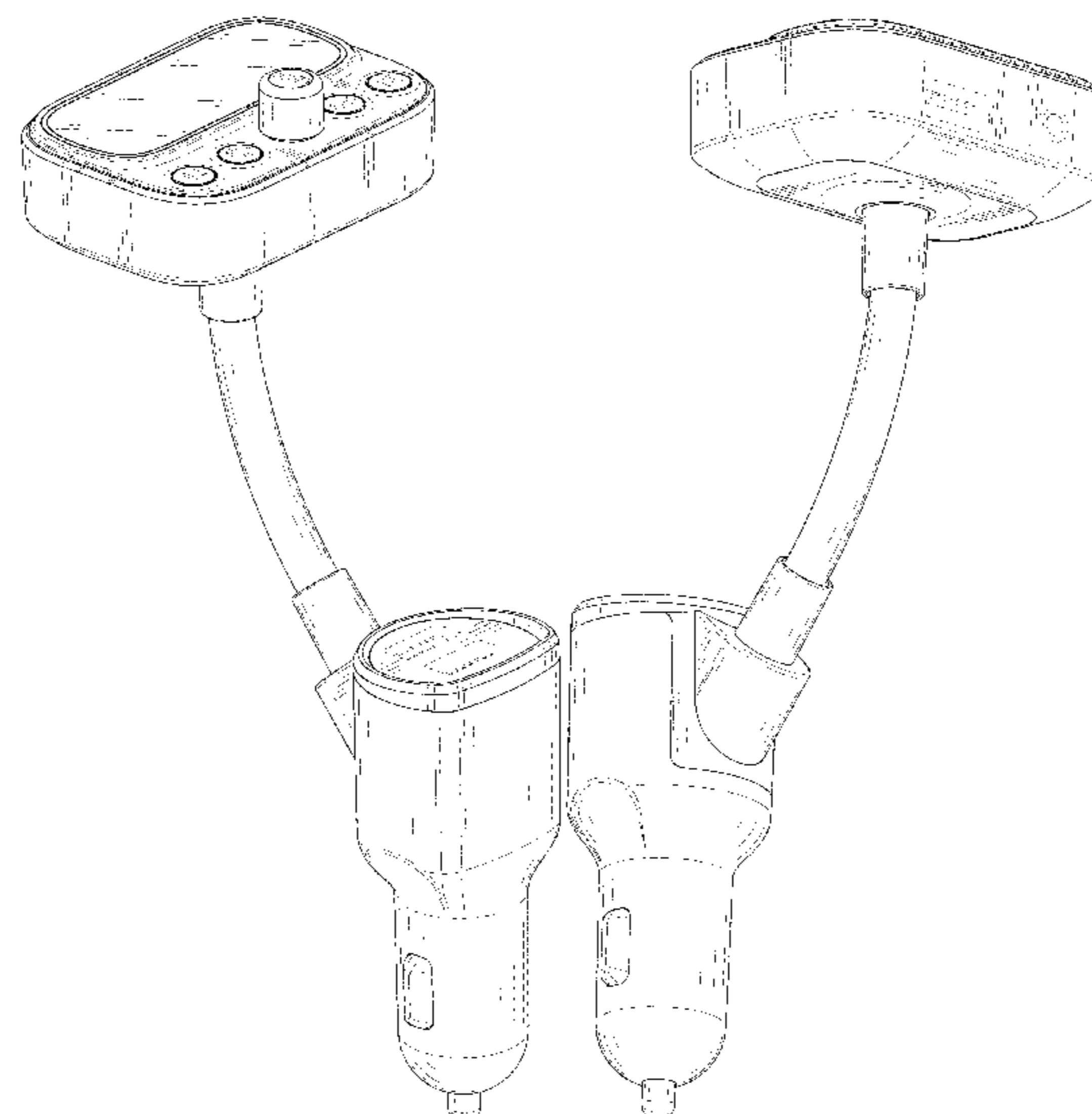
The ornamental design for a wireless audio speaker, as shown and described.

DESCRIPTION

FIG. 1 is a perspective view of a wireless audio speaker showing my new design;
FIG. 2 is another perspective view thereof;
FIG. 3 is a front elevational view thereof;
FIG. 4 is a rear elevational view thereof;
FIG. 5 is a left side elevational view thereof;
FIG. 6 is a right side elevational view thereof;
FIG. 7 is a top plan view thereof; and,
FIG. 8 is a bottom plan view thereof.
The broken lines in the drawings depict portions of the wireless audio speaker that form no part of the claimed design.

1 Claim, 8 Drawing Sheets

(56) **References Cited**
U.S. PATENT DOCUMENTS
D795,832 S * 8/2017 Du D14/155
D796,470 S * 9/2017 Du D14/155
D805,496 S * 12/2017 Yin D14/155
D808,920 S * 1/2018 Yin D14/155
D840,937 S * 2/2019 Wang D14/155
D885,361 S * 5/2020 Wang D14/155
D898,695 S * 10/2020 Wang D14/496



(56)

References Cited

U.S. PATENT DOCUMENTS

D927,443 S * 8/2021 Du D14/155

FOREIGN PATENT DOCUMENTS

GB 6236316 * 10/2022
GB 6236321 * 10/2022

OTHER PUBLICATIONS

Bluetooth Car Adapter, date first available: Jul. 6, 2022, [retrieved Jan. 12, 2023], Retrieved from Internet, URL: <https://www.amazon.com/dp/B0B1DR45PD/ref=sspa_dk_detail_4?psc=1&pf_rd_p=dd2c6db7-6626-466d-bf04-9570e69a7df0&pf_rd_r=SAVDCNW35%E2%80%A6> (Year: 2022).*

Bluetooth FM Transmitter for Car, date first available: Aug. 4, 2021, [retrieved Jan. 12, 2023], Retrieved from Internet, URL: <https://www.amazon.com/dp/B09BTYGF6N/ref=sspa_dk_detail_3?psc=1&pf_rd_p=98eae024-ddf8-4aae-a3d1-746298cd5013&pf_rd_r=FQVAMS5FE%E2%80%A6> (Year: 2021).*

Car Bluetooth FM Transmitter, date first available: Oct. 16, 2019, [retrieved Jan. 12, 2023], Retrieved from Internet, URL: <https://www.amazon.com/dp/B07Z67Z6C5/ref=sspa_dk_detail_0?psc=1&pf_rd_p=dd2c6db7-6626-466d-bf04-9570e69a7df0&pf_rd_r=RK53275DEAX%E2%80%A6> (Year: 2019).*

* cited by examiner

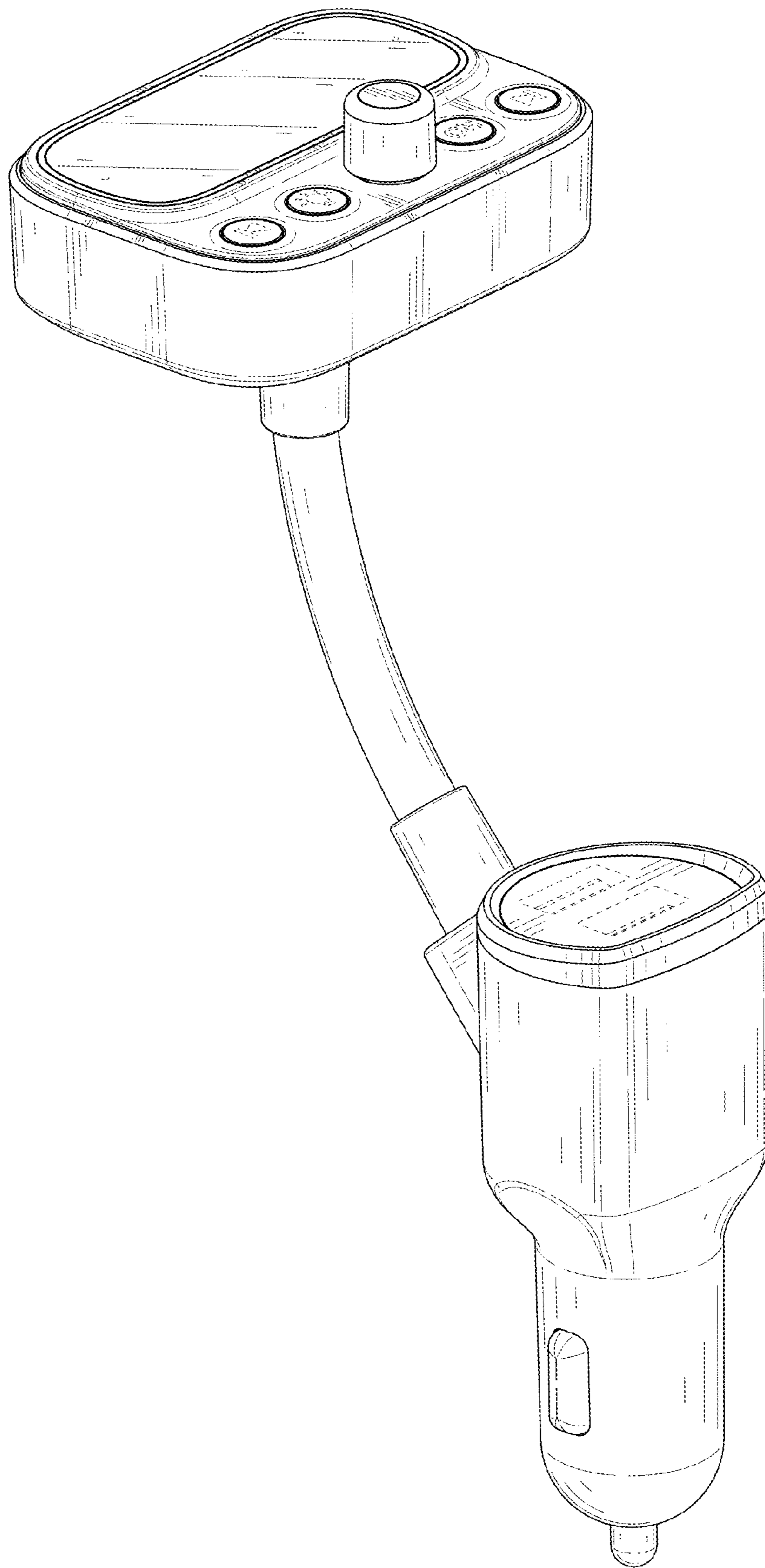


FIG. 1

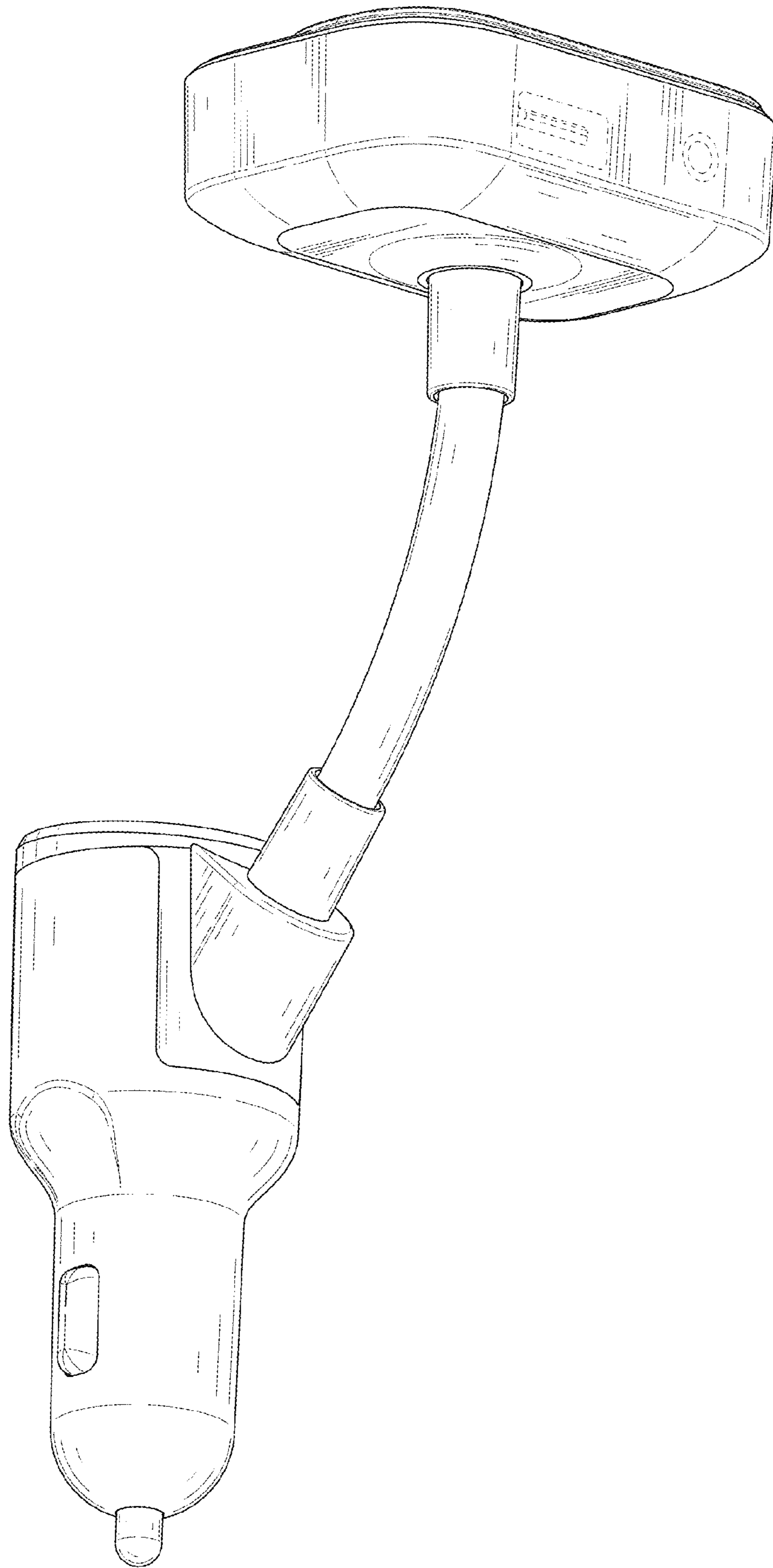


FIG. 2

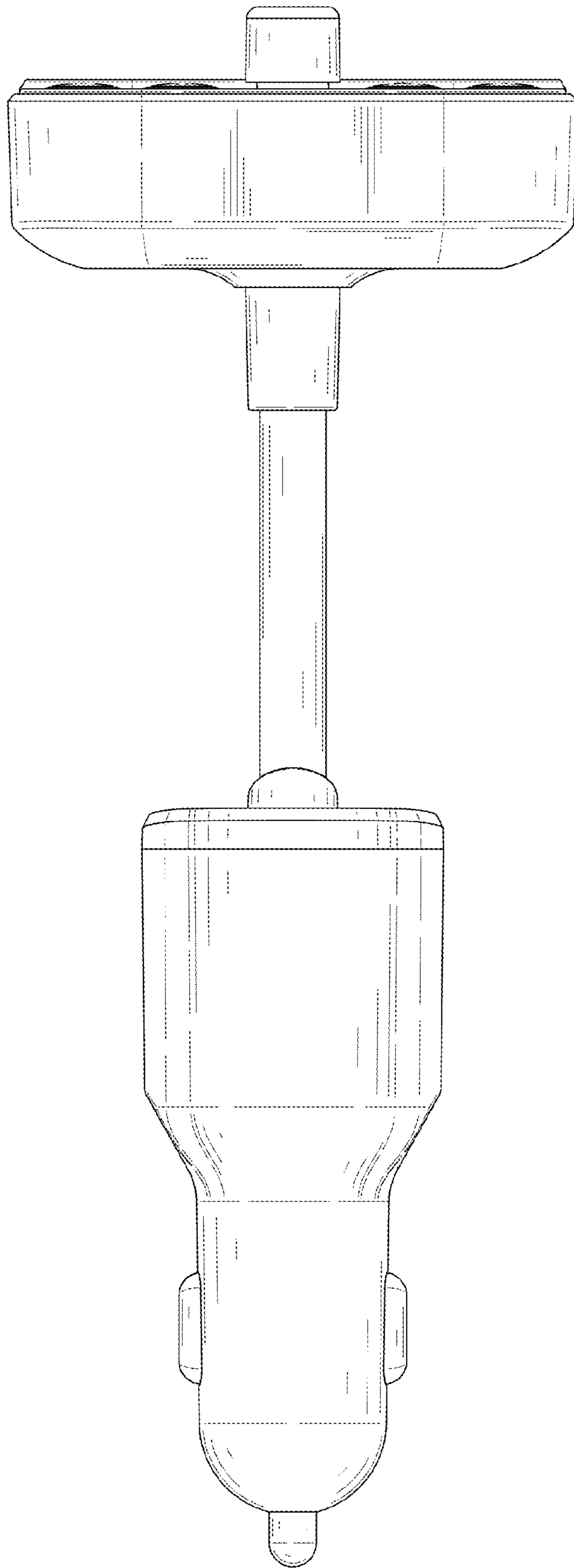


FIG. 3

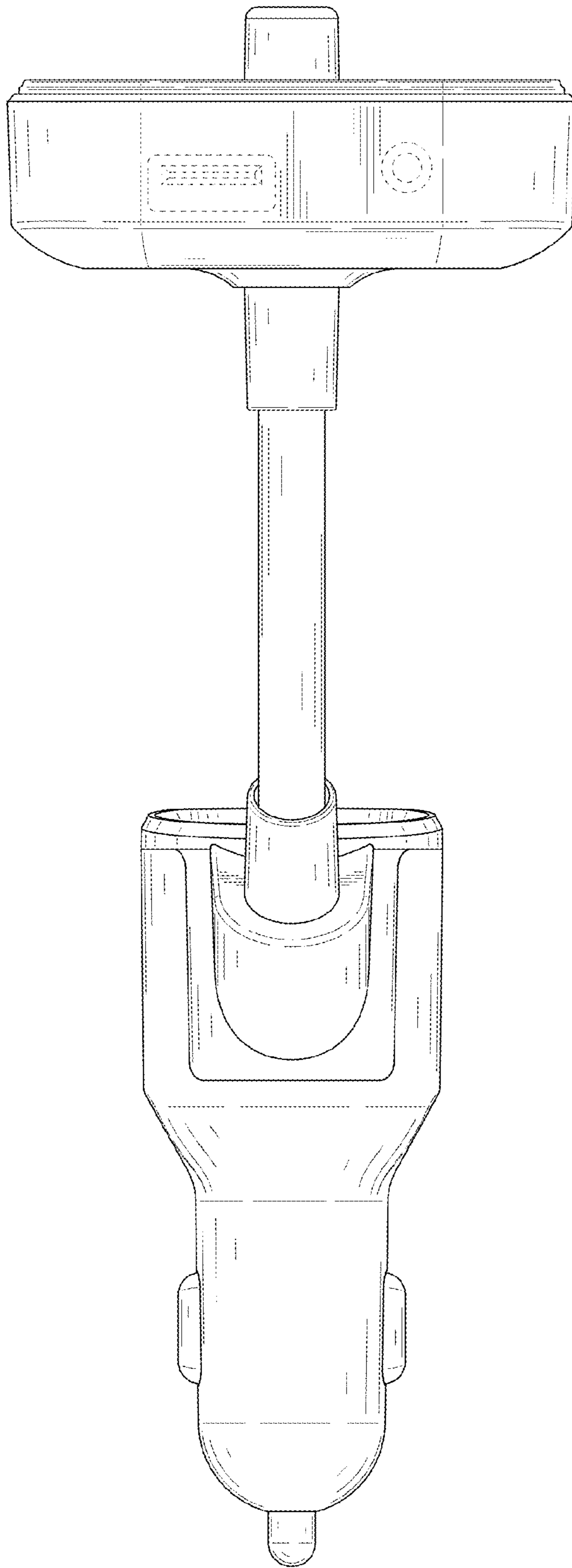


FIG. 4

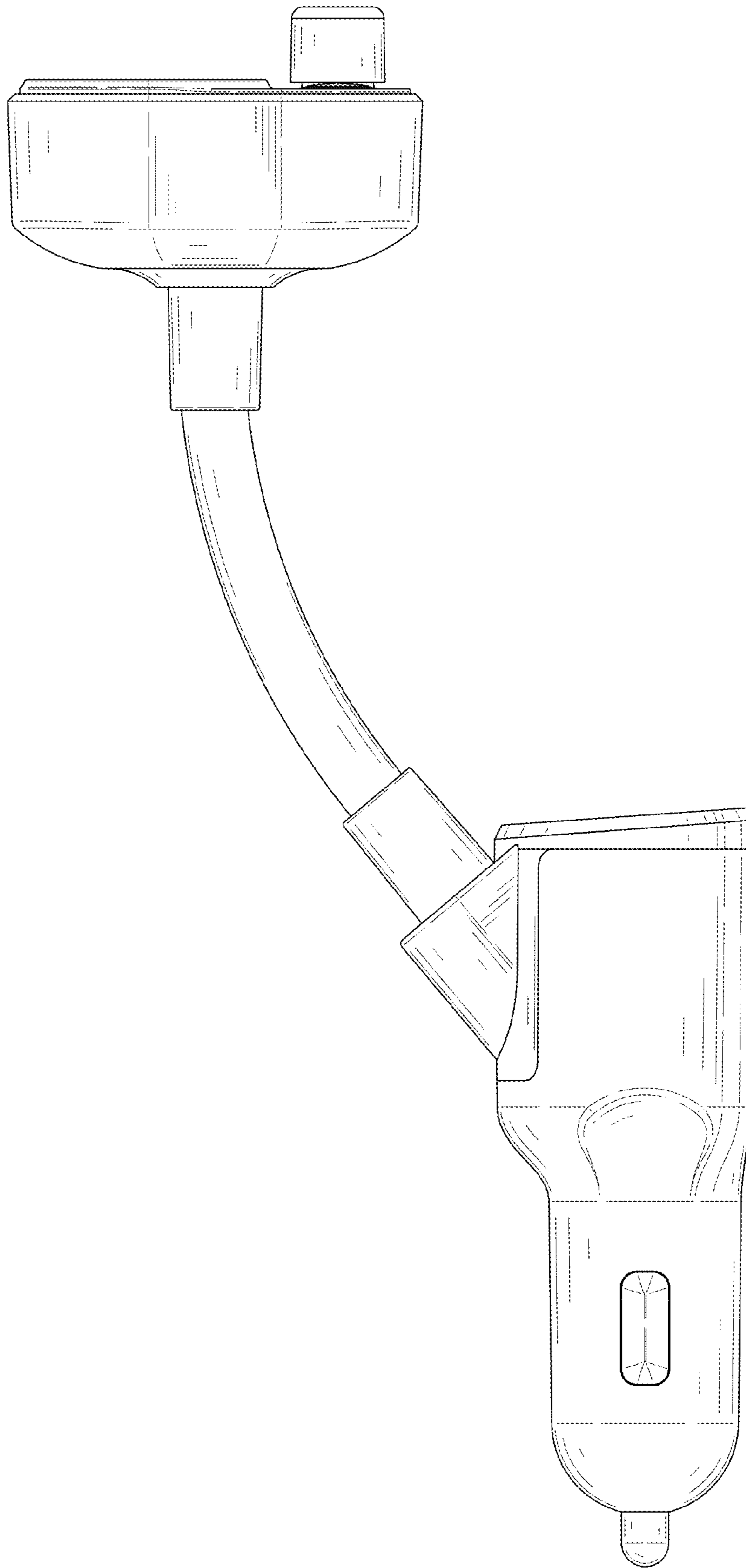


FIG. 5

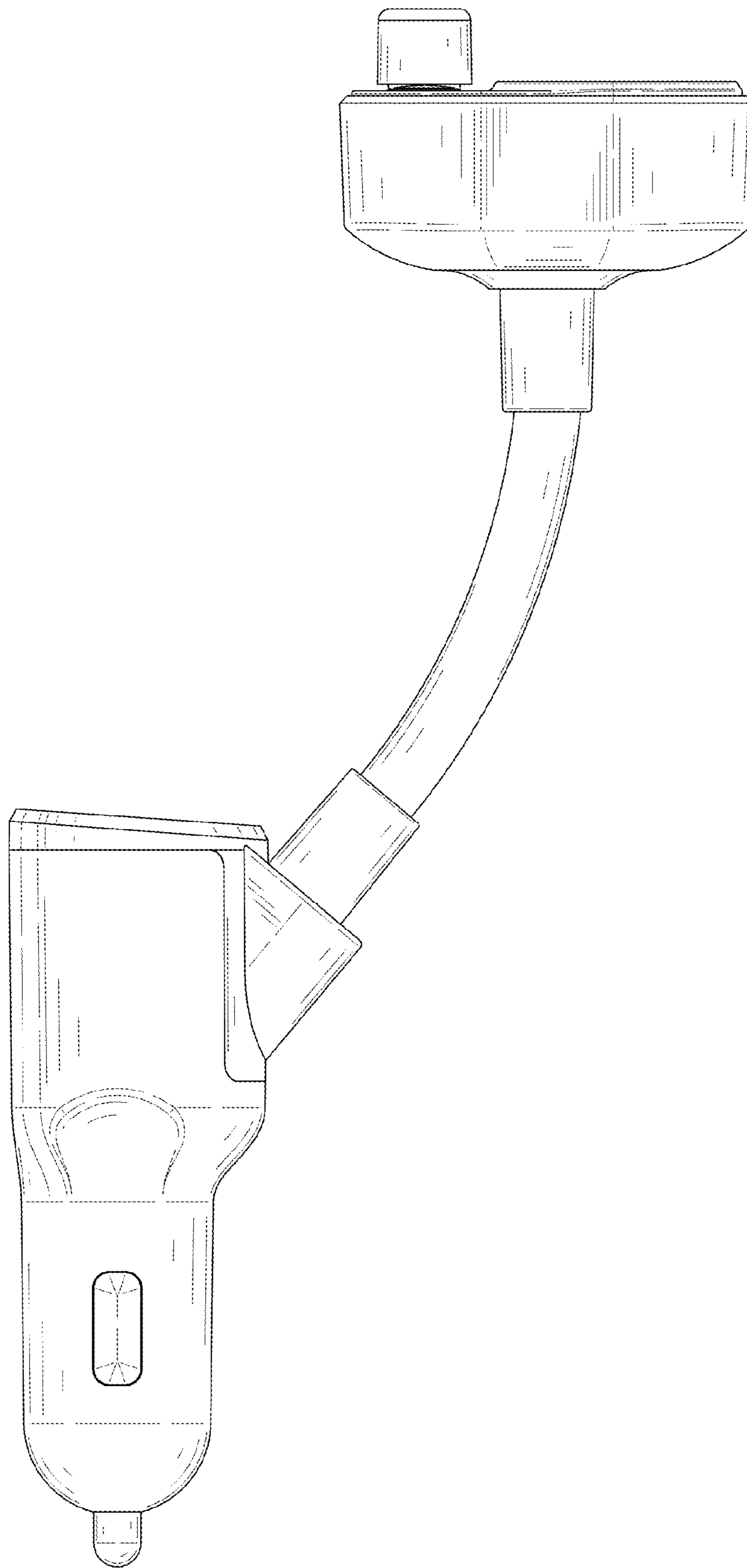


FIG. 6

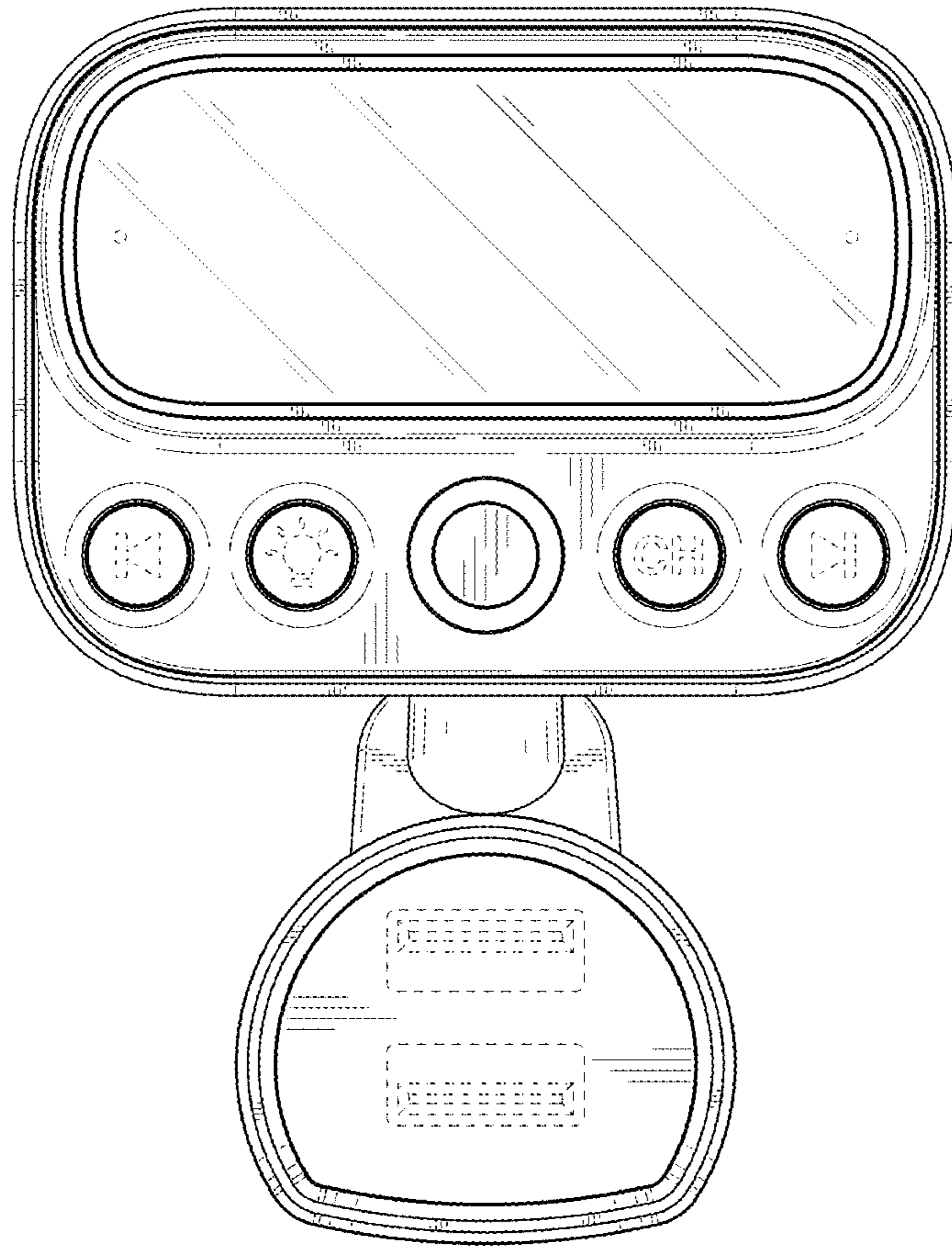


FIG. 7

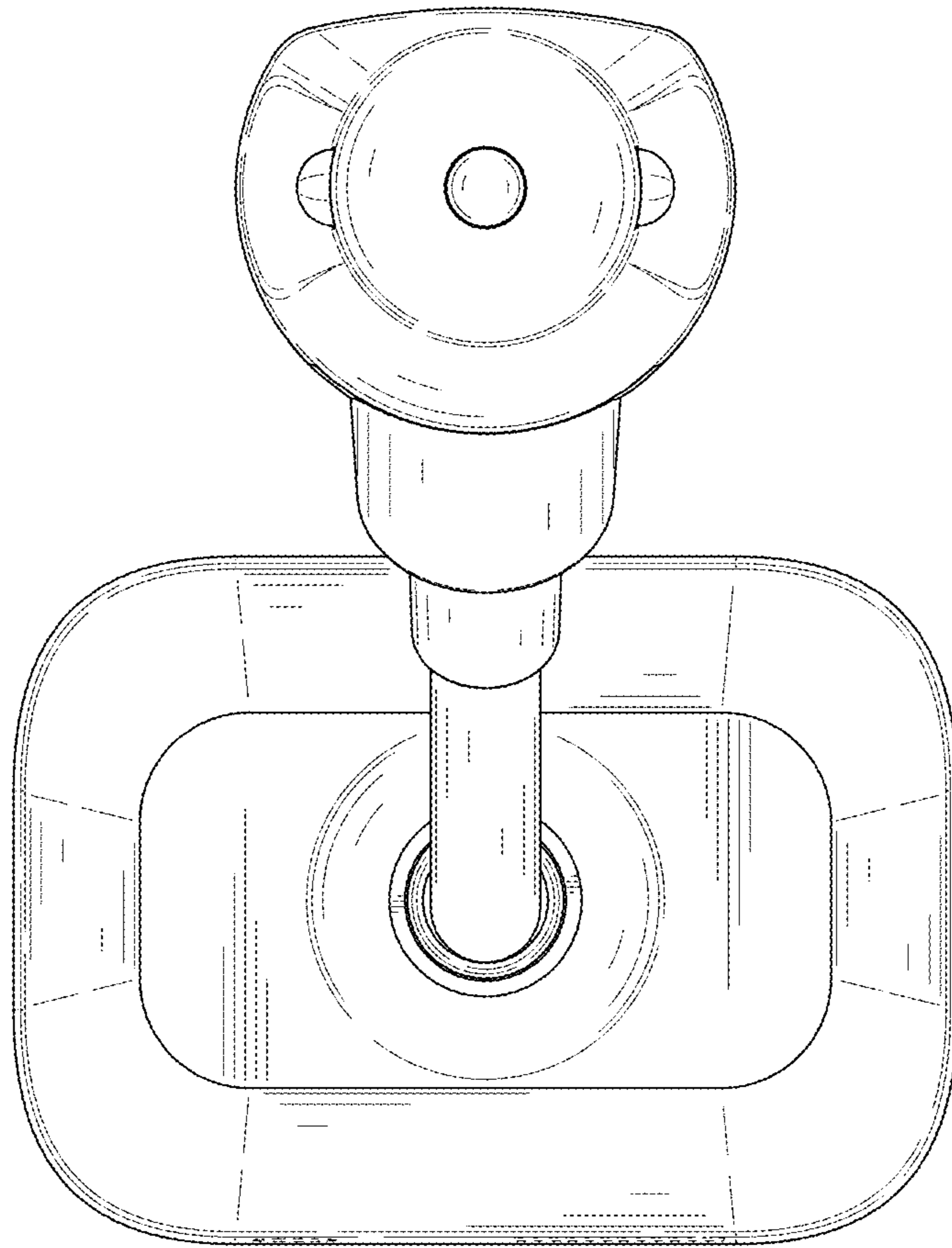


FIG. 8