



US00D984975S

(12) **United States Design Patent**
Wang et al.

(10) **Patent No.:** **US D984,975 S**
(45) **Date of Patent:** **** May 2, 2023**

(54) **DESK PHONE**

(71) Applicant: **Plantronics, Inc.**, Santa Cruz, CA (US)

(72) Inventors: **Bowman Wang**, Corralitos, CA (US);
George Janour, Santa Cruz, CA (US)

(73) Assignee: **Plantronics, Inc.**, Santa Cruz, CA (US)

(**) Term: **15 Years**

(21) Appl. No.: **29/738,860**

(22) Filed: **Jun. 19, 2020**

(51) **LOC (14) Cl.** **14-03**

(52) **U.S. Cl.**
USPC **D14/151**

(58) **Field of Classification Search**
USPC ... D14/140, 140.1, 140.7, 140.8, 141.2, 142,
D14/144, 147, 148, 149, 150, 151, 158,
(Continued)

(56) **References Cited**

U.S. PATENT DOCUMENTS

D263,589 S * 3/1982 Read D14/150
D282,066 S * 1/1986 Menei D14/151
(Continued)

FOREIGN PATENT DOCUMENTS

TW D176839 7/2016

Primary Examiner — Marie D. Fast Horse

(74) *Attorney, Agent, or Firm* — Quarles & Brady LLP

(57) **CLAIM**

The ornamental design for a desk phone, as shown and described.

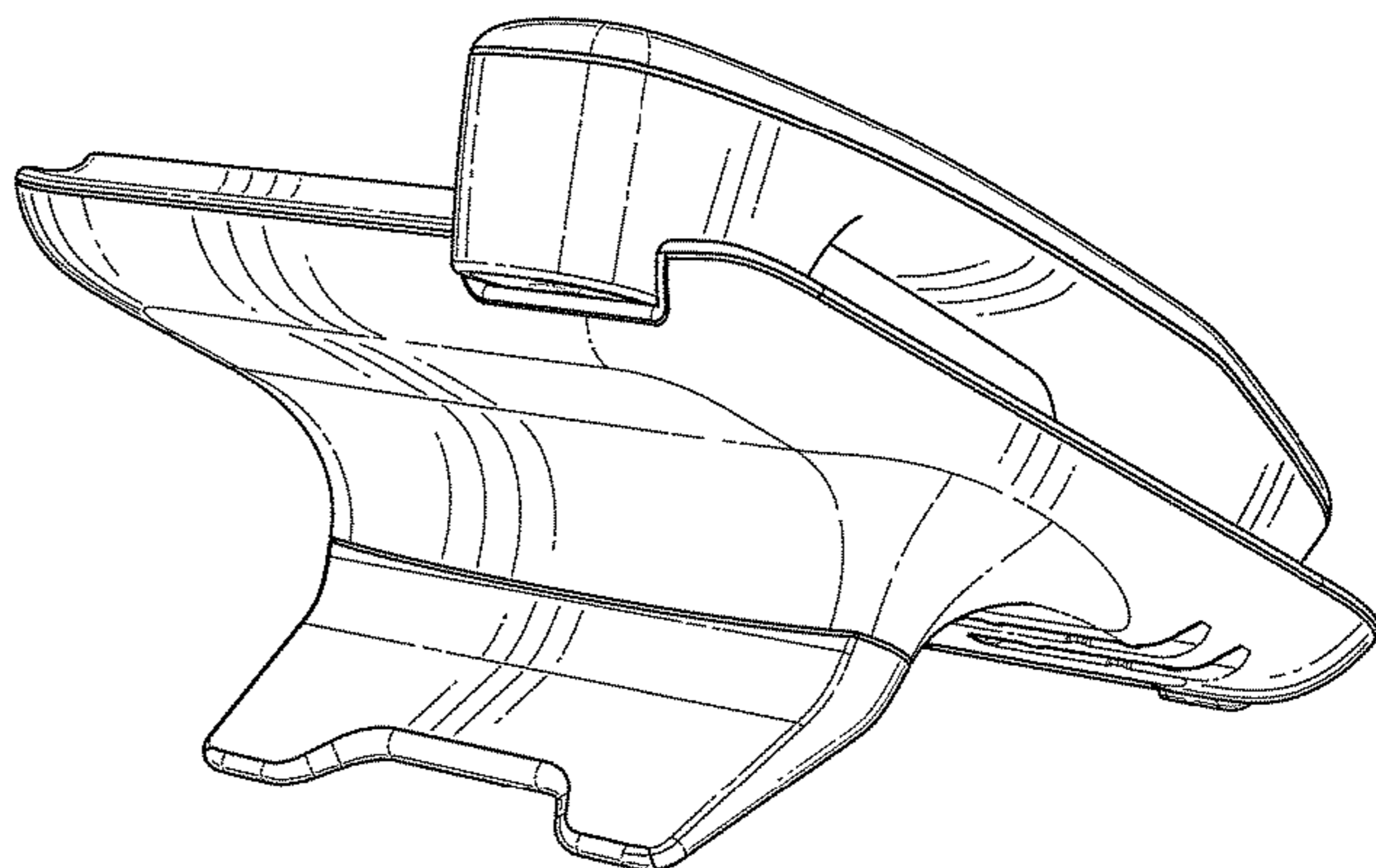
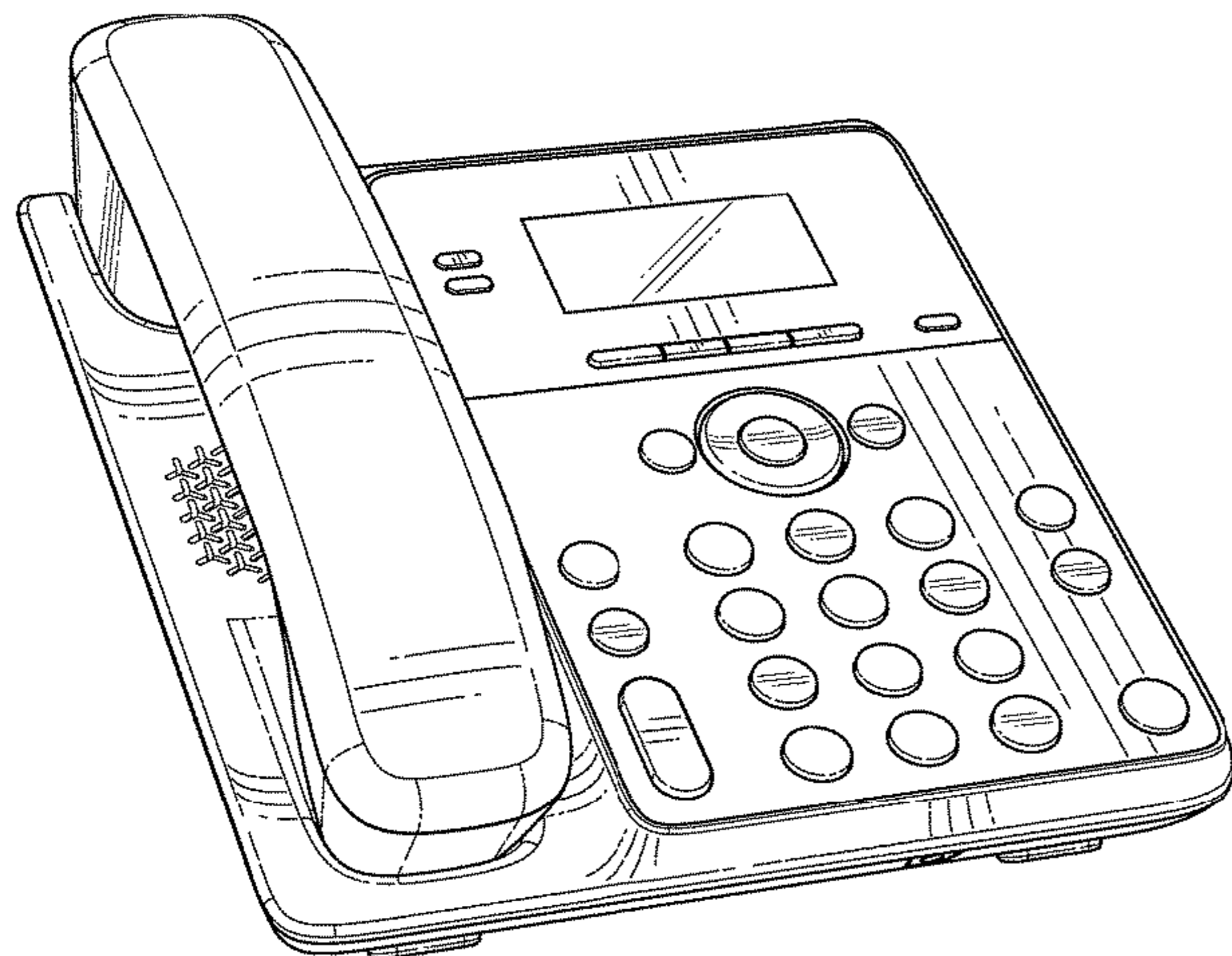
DESCRIPTION

FIG. 1 is a bottom-left-front perspective view of a first embodiment of a desk phone, showing our new design;

FIG. 2 is a top-left-back perspective view thereof;
FIG. 3 is a bottom view thereof;
FIG. 4 is a top view thereof;
FIG. 5 is a left-side view thereof;
FIG. 6 is a right-side view thereof;
FIG. 7 is a front view thereof;
FIG. 8 is a back view thereof;
FIG. 9 is a bottom-left-front perspective view of a second embodiment of a desk phone, showing our new design ;
FIG. 10 is a top-left-back perspective view thereof;
FIG. 11 is a bottom view thereof;
FIG. 12 is a top view thereof;
FIG. 13 is a left-side view thereof;
FIG. 14 is a right-side view thereof;
FIG. 15 is a front view thereof;
FIG. 16 is a back view thereof;
FIG. 17 is a bottom-left-front perspective view of a third embodiment of a desk phone, showing our new design;
FIG. 18 is a top-left-back perspective view thereof;
FIG. 19 is a bottom view thereof;
FIG. 20 is a top view thereof;
FIG. 21 is a left-side view thereof;
FIG. 22 is a right-side view thereof;
FIG. 23 is a front view thereof;
FIG. 24 is a back view thereof;
FIG. 25 is a bottom-left-front perspective view of a fourth embodiment of a desk phone, showing our new design;
FIG. 26 is a top-left-back perspective view thereof;
FIG. 27 is a bottom view thereof;
FIG. 28 is a top view thereof;
FIG. 29 is a left-side view thereof;
FIG. 30 is a right-side view thereof;
FIG. 31 is a front view thereof; and,
FIG. 32 is a back view thereof.

The broken lines in FIGS. 8, 16, 24, and 32 depict portions of the desk phone that form no part of the claimed Design. The thin, black lines shown in long dashes with intermittent breaks are shading and/or tangent lines to show contour of the surfaces or curved edges of the desk phone, and do not actually appear on the surface of the device.

1 Claim, 32 Drawing Sheets



(58) **Field of Classification Search**
 USPC D14/159, 188, 217, 240, 243, 247, 248,
 D14/251, 299, 329, 330, 338, 130, 462,
 D14/467, 471; D21/517
 CPC H04M 1/00; H04M 1/003; H04M 1/02;
 H04M 1/0289; H04M 1/0297; H04M
 1/0214; H04M 1/03; H04M 1/23; H04M
 1/253; H04M 1/2535; H04M 7/006
 See application file for complete search history.

(56) **References Cited**

U.S. PATENT DOCUMENTS

D282,655 S 2/1986 Kaku
 D291,567 S 8/1987 Read et al.
 D292,090 S 9/1987 Shintomi
 D293,783 S 1/1988 Martinez
 D295,623 S * 5/1988 Gilberton D14/151
 D296,437 S 6/1988 Martinez
 D298,618 S 11/1988 Martinez
 D299,456 S 1/1989 Kuo
 D300,025 S * 2/1989 Honda D14/151
 D301,475 S 6/1989 Nagele
 D303,114 S 8/1989 Danielson
 D304,326 S * 10/1989 Perkins D14/149
 D307,009 S 4/1990 Boykiw
 D311,398 S 10/1990 Sugano
 D318,469 S 7/1991 Joffe
 D319,829 S * 9/1991 Wu D14/149
 D321,188 S * 10/1991 Gordon D14/142
 D323,657 S 2/1992 Danielson et al.
 D324,036 S 2/1992 Wakasa
 D325,730 S * 4/1992 van der Zon D14/138 AA
 D330,028 S 10/1992 Gagnon
 D330,201 S * 10/1992 Preece D14/247
 D335,667 S * 5/1993 Kawakami D14/142
 D346,785 S * 5/1994 Lundell D14/149
 D349,899 S * 8/1994 Siddoway D14/151
 D352,032 S * 11/1994 Cowan D14/149
 D356,087 S 3/1995 Jarrett
 5,432,836 A 7/1995 Jarrett
 D366,484 S 1/1996 Levin
 D368,091 S 3/1996 Yoshihiko
 D369,601 S * 5/1996 Tomoike D14/149
 D395,304 S * 6/1998 Mori D14/151
 D401,235 S * 11/1998 Fuke D14/149
 5,862,214 A 1/1999 Aggus
 D410,229 S 5/1999 Chiocchi
 D411,987 S 7/1999 Mizusugi et al.
 D412,171 S 7/1999 Girardi
 D423,001 S * 4/2000 Shindo D14/149
 D423,497 S * 4/2000 Nogas D14/151
 D425,856 S * 5/2000 Shindo D14/149
 D426,536 S * 6/2000 Shindo D14/151
 D427,985 S 7/2000 Takayama et al.
 D431,541 S * 10/2000 Nagele D14/149
 D432,107 S * 10/2000 Isonaga D14/149
 D432,108 S * 10/2000 Isonaga D14/151
 D433,677 S 11/2000 Tsuge
 D435,040 S 12/2000 Shen
 D442,158 S * 5/2001 Isonaga D14/151
 D457,509 S 5/2002 Ohwada
 D471,171 S * 3/2003 Yamanouchi D14/151

D471,527 S * 3/2003 Yamanouchi D14/151
 D472,227 S 3/2003 Takayama
 D479,517 S 9/2003 Weidinger
 D481,698 S * 11/2003 Yamada D14/149
 D481,699 S * 11/2003 Jauregui D14/151
 D481,700 S * 11/2003 Jauregui D14/151
 D489,700 S 5/2004 Hillenmayer
 D490,795 S * 6/2004 Watanabe D14/151
 D499,711 S * 12/2004 Baswell D14/151
 D511,153 S * 11/2005 dos Santos D14/151
 D512,703 S 12/2005 Ookawa
 D529,477 S 10/2006 Hsu
 D529,894 S * 10/2006 Yanagisawa D14/151
 D530,303 S * 10/2006 Tang D14/151
 D531,613 S * 11/2006 Lesniak D14/151
 D535,277 S 1/2007 Mamizuka et al.
 D552,071 S 10/2007 Park et al.
 D555,143 S 11/2007 Chou
 D556,180 S 11/2007 Udagawa
 D556,181 S * 11/2007 Liu D14/151
 D558,180 S 12/2007 Daly
 D558,727 S 1/2008 Daly
 D558,729 S 1/2008 Daly
 D565,020 S 3/2008 Daly
 D581,897 S 12/2008 Katori
 D585,397 S 1/2009 Hwang
 D604,258 S 11/2009 Rinaldi et al.
 D608,759 S 1/2010 Chun
 D613,724 S * 4/2010 Kao D14/151
 D615,066 S 5/2010 Huang et al.
 D620,464 S 7/2010 Quiros et al.
 D620,472 S 7/2010 Robinson et al.
 D629,381 S 12/2010 Verthein et al.
 D636,769 S 4/2011 Wood et al.
 D653,646 S 2/2012 Hovdal
 D654,074 S 2/2012 Wood et al.
 D657,772 S * 4/2012 Shadovitz D14/150
 D657,773 S 4/2012 Corsini et al.
 D658,616 S 5/2012 Van Der Flier et al.
 D658,627 S 5/2012 Katori
 D668,901 S 10/2012 Jones et al.
 D675,592 S 2/2013 Fuxen
 D686,184 S 7/2013 Takahata et al.
 D723,502 S 3/2015 Chun
 D725,623 S 3/2015 Hartmann et al.
 D738,845 S 9/2015 Kwak
 D744,464 S 12/2015 Snyder et al.
 D753,624 S 4/2016 Ji
 D757,677 S 5/2016 Hutt et al.
 D763,219 S 8/2016 Engelke et al.
 D767,527 S 9/2016 Hillenmayer
 D776,655 S 1/2017 Chen
 D783,569 S 4/2017 Kwak
 D784,283 S 4/2017 Snyder et al.
 D788,737 S * 6/2017 Takei D14/151
 D835,060 S 12/2018 Peng
 D835,599 S 12/2018 Peng
 D848,391 S * 5/2019 Li D14/151
 D851,617 S * 6/2019 Rodriguez D14/151
 D853,981 S * 7/2019 Nakano D14/151
 D896,199 S * 9/2020 Rodriguez D14/151
 2008/0240416 A1 10/2008 Abramson
 2011/0216898 A1 9/2011 Huang
 2022/0303378 A1 9/2022 Janour et al.

* cited by examiner

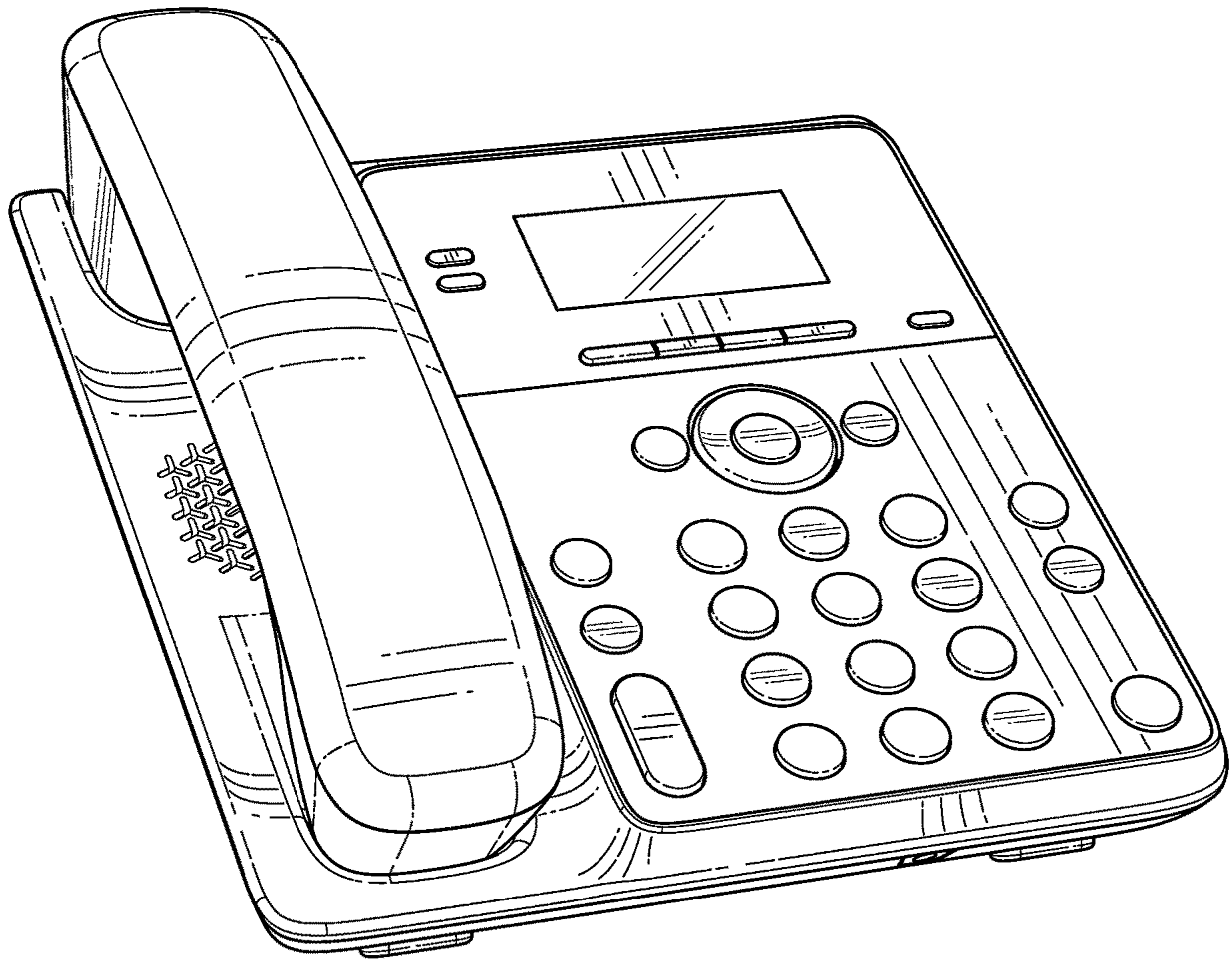


FIG. 1

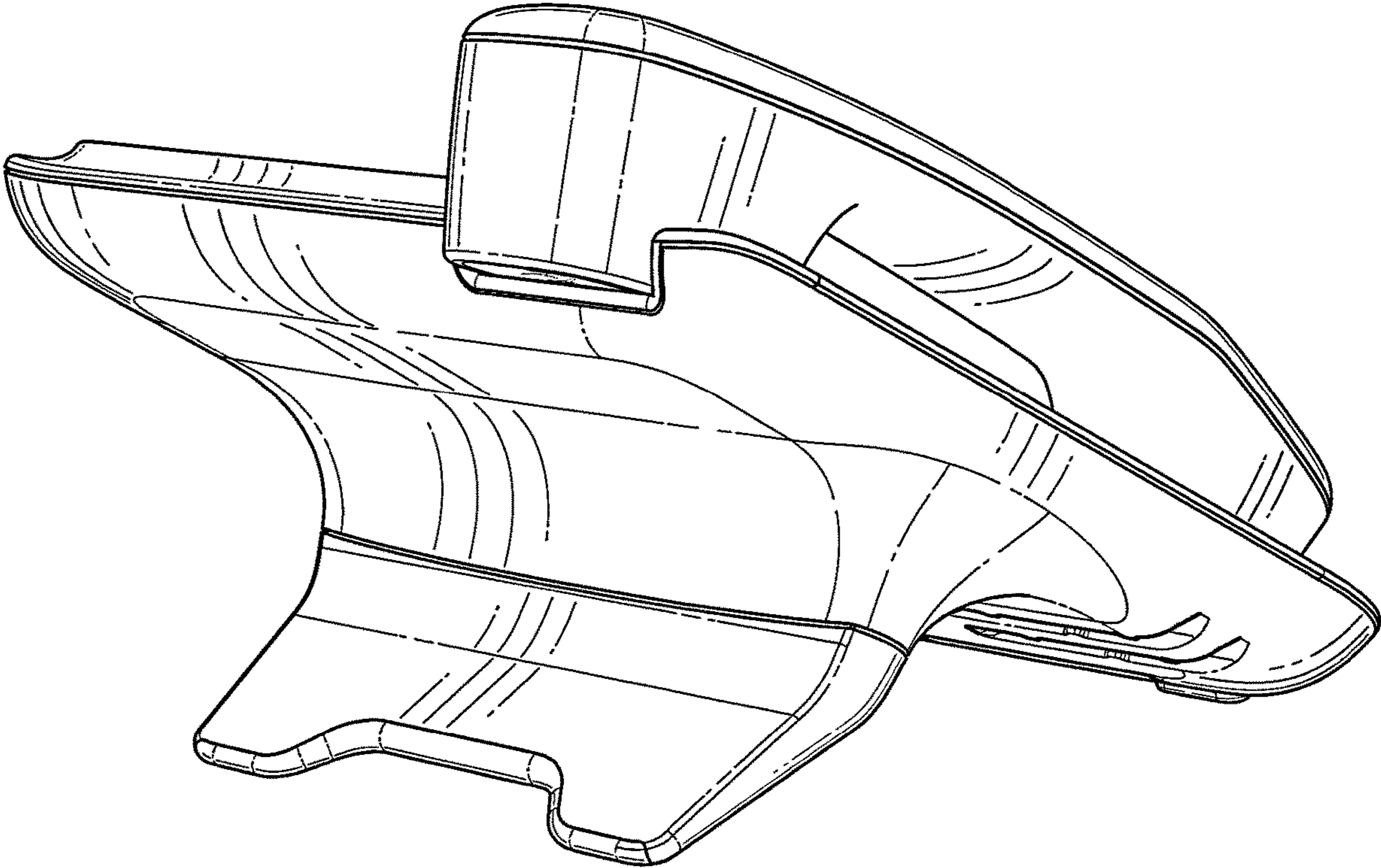


FIG. 2

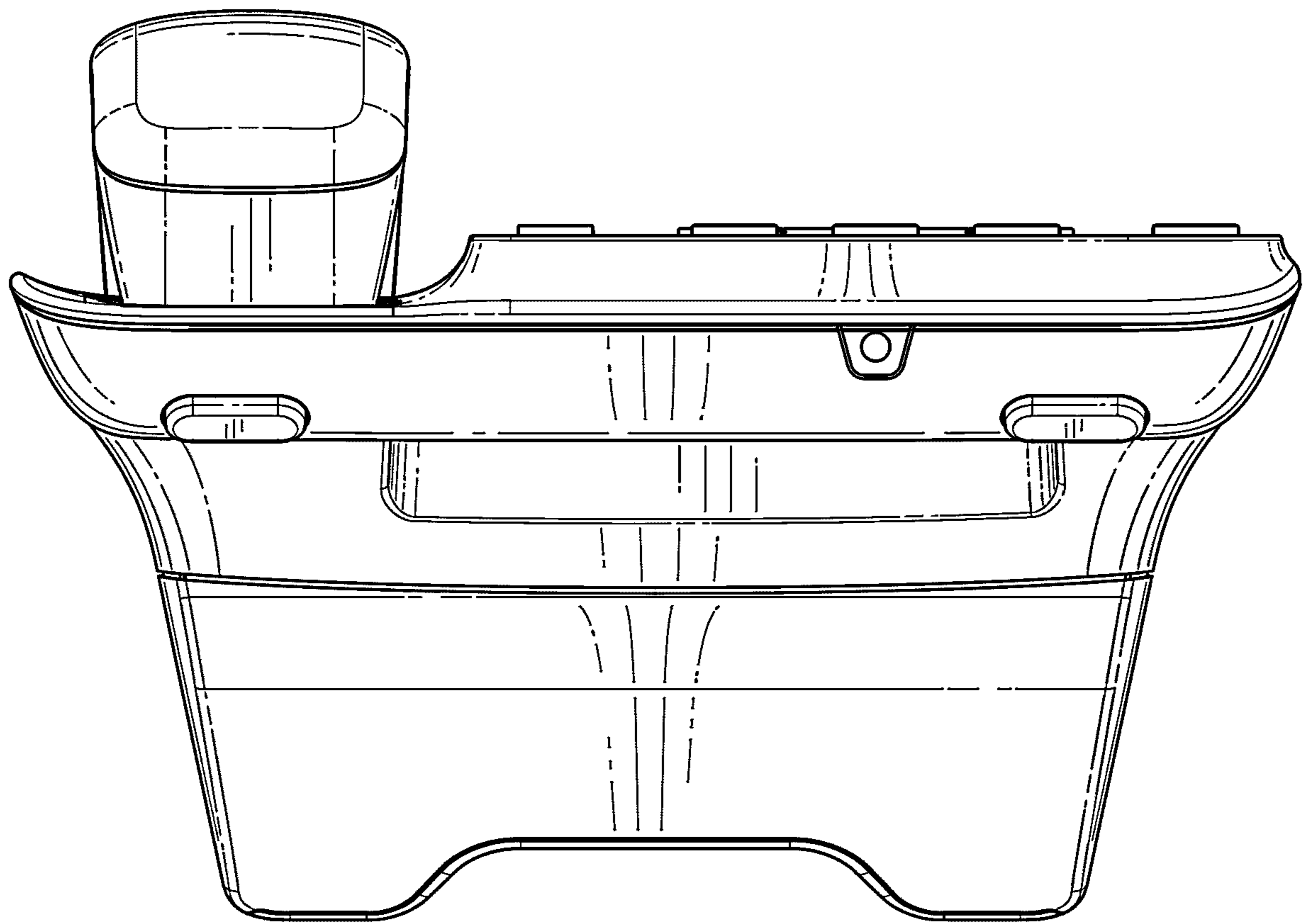


FIG. 3

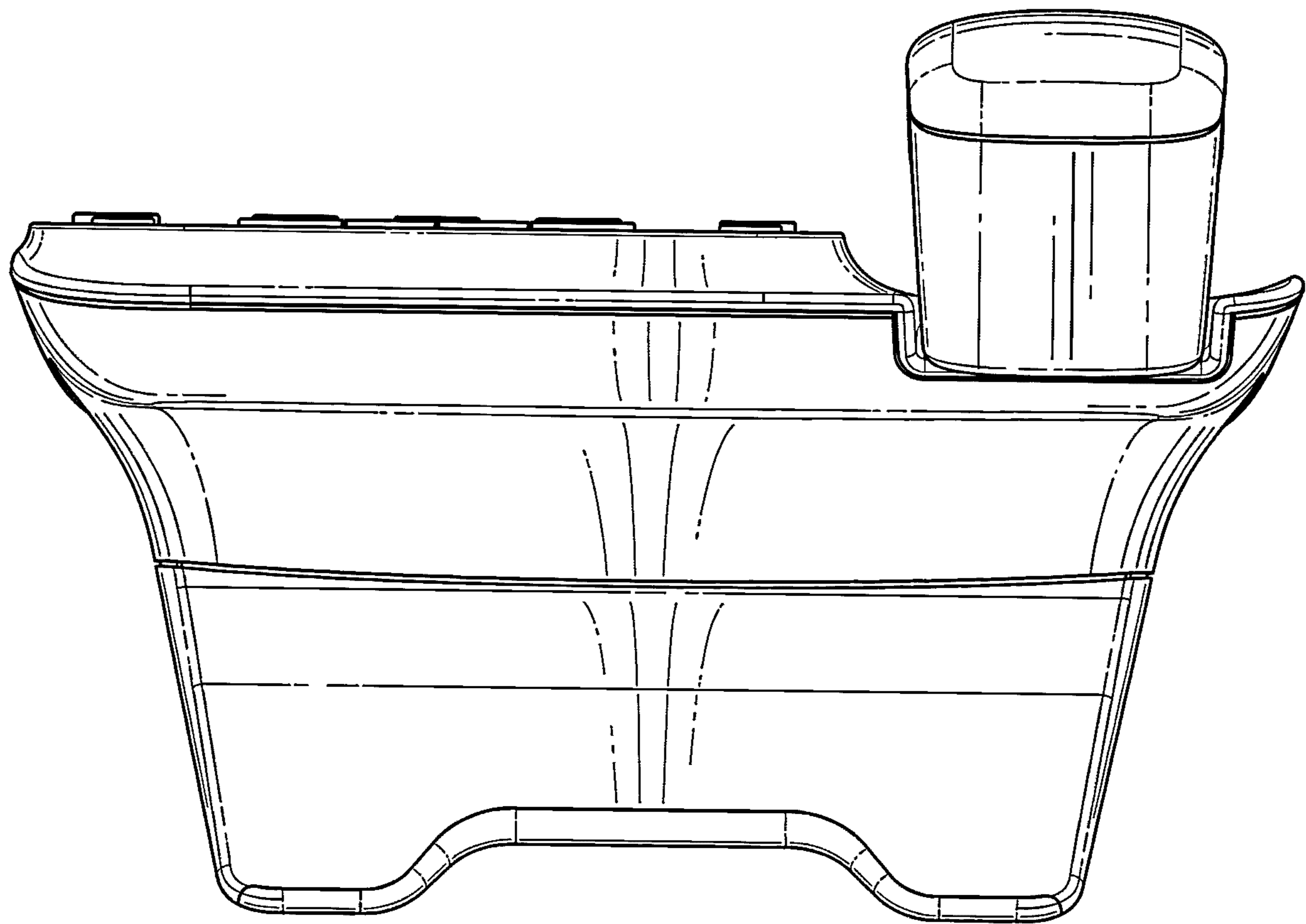


FIG. 4

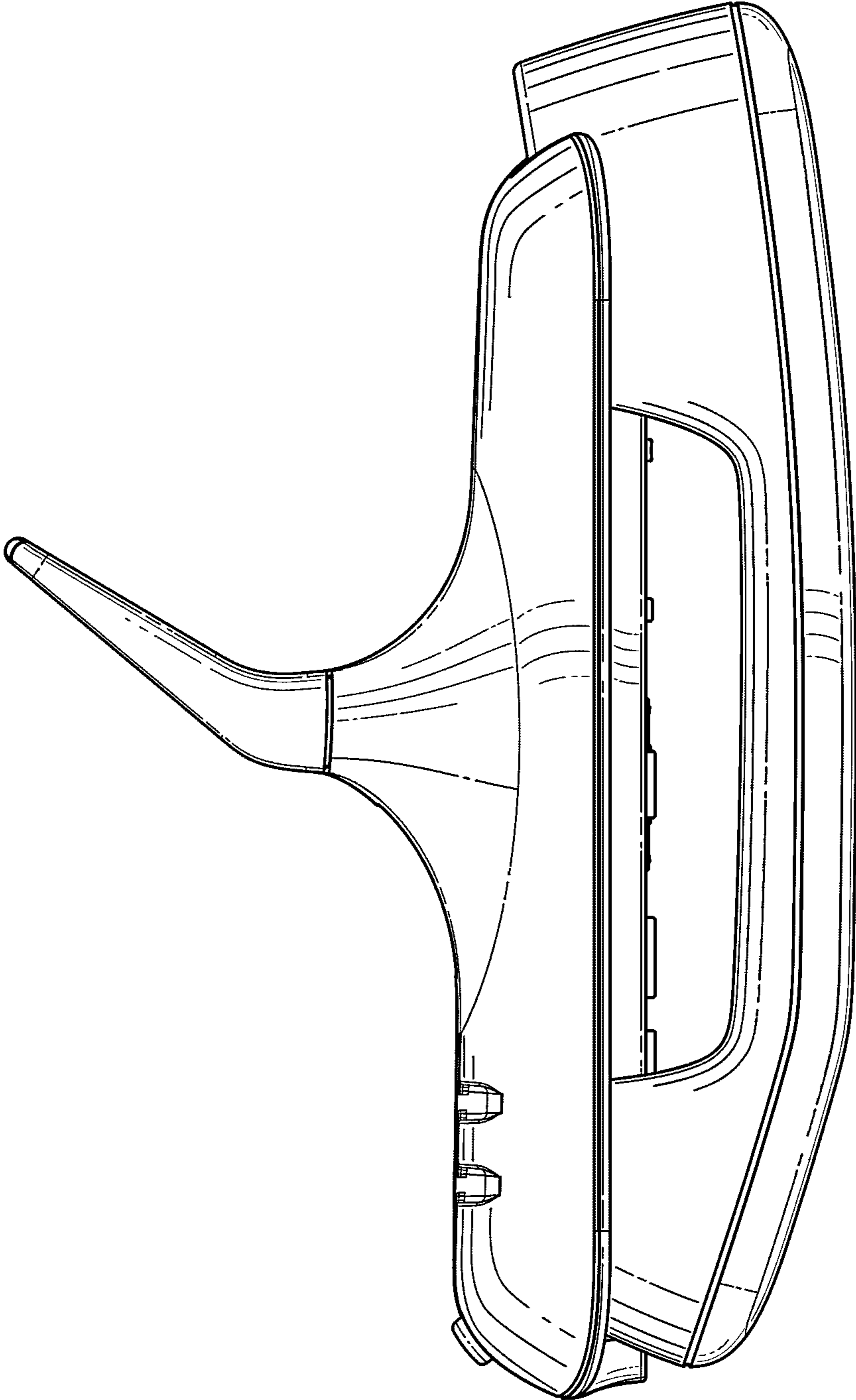


FIG. 5

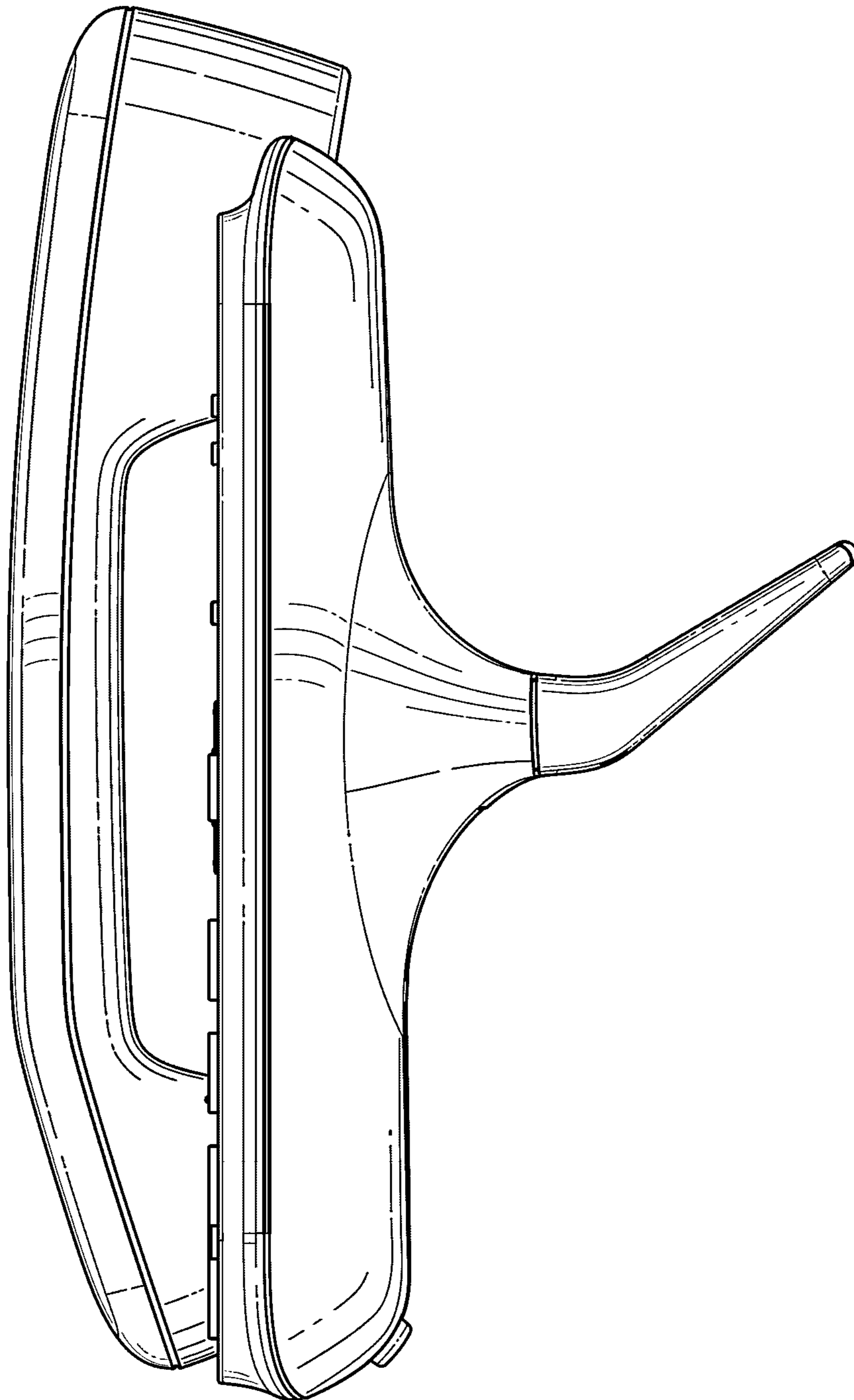


FIG. 6

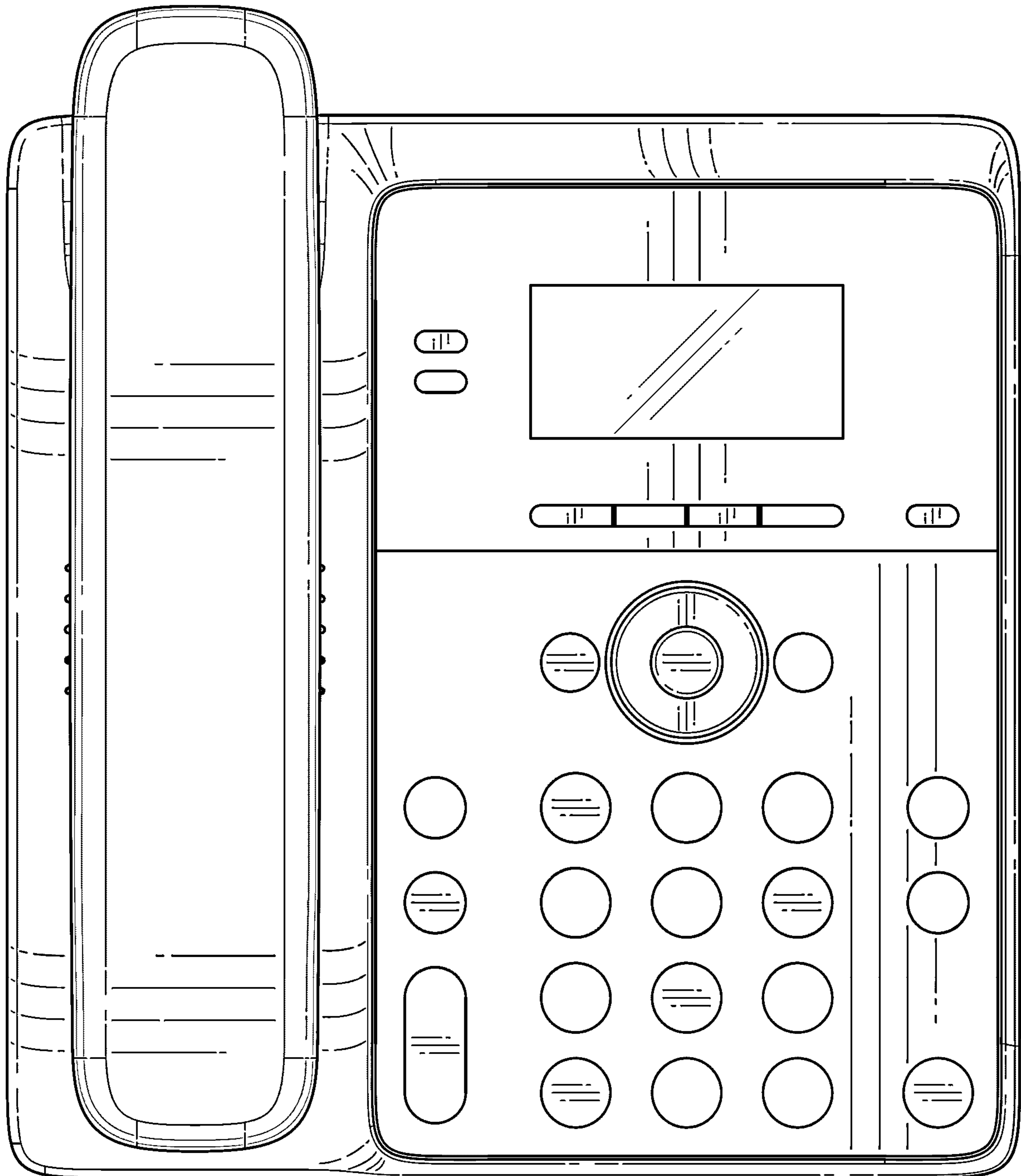


FIG. 7

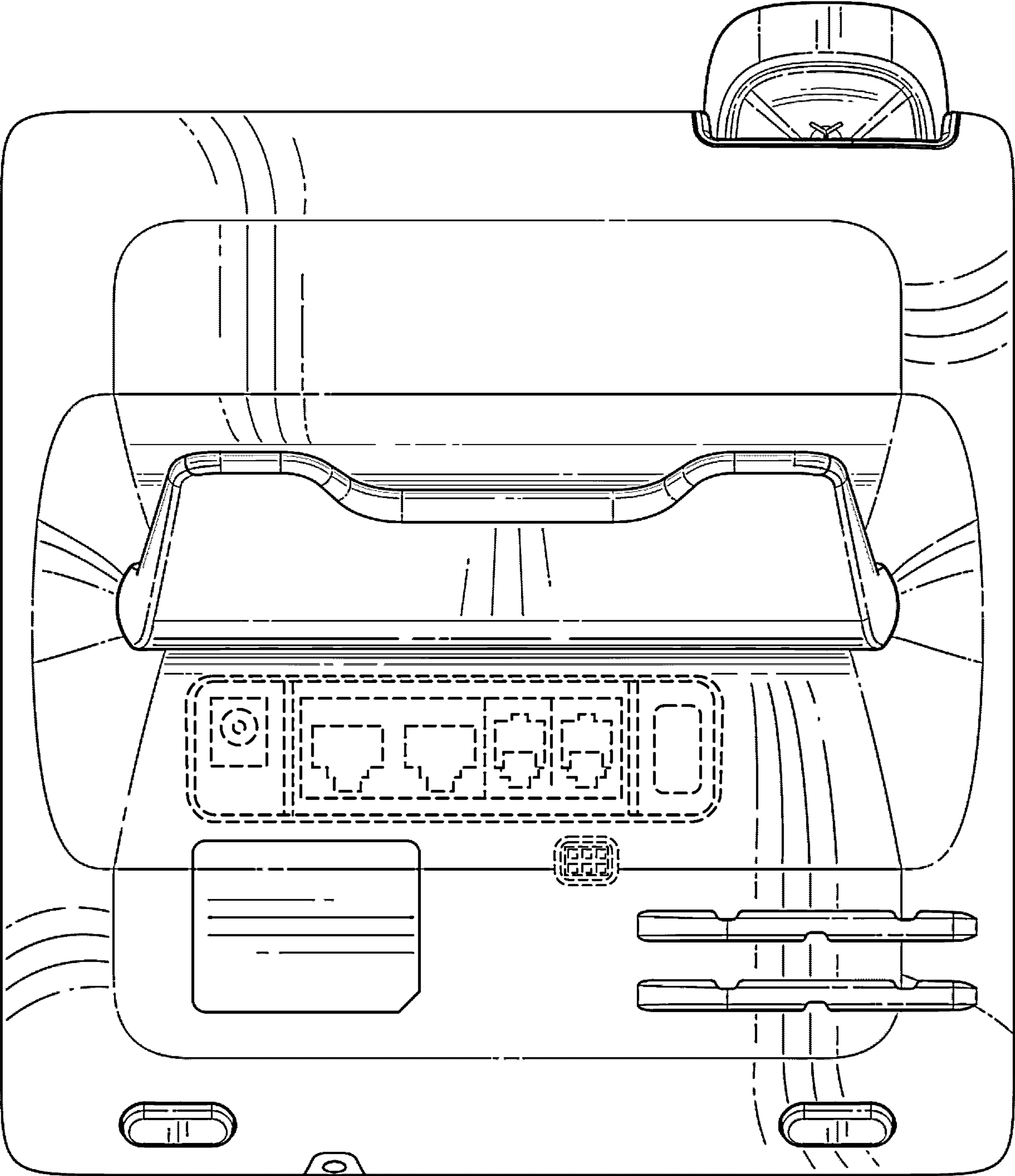


FIG. 8

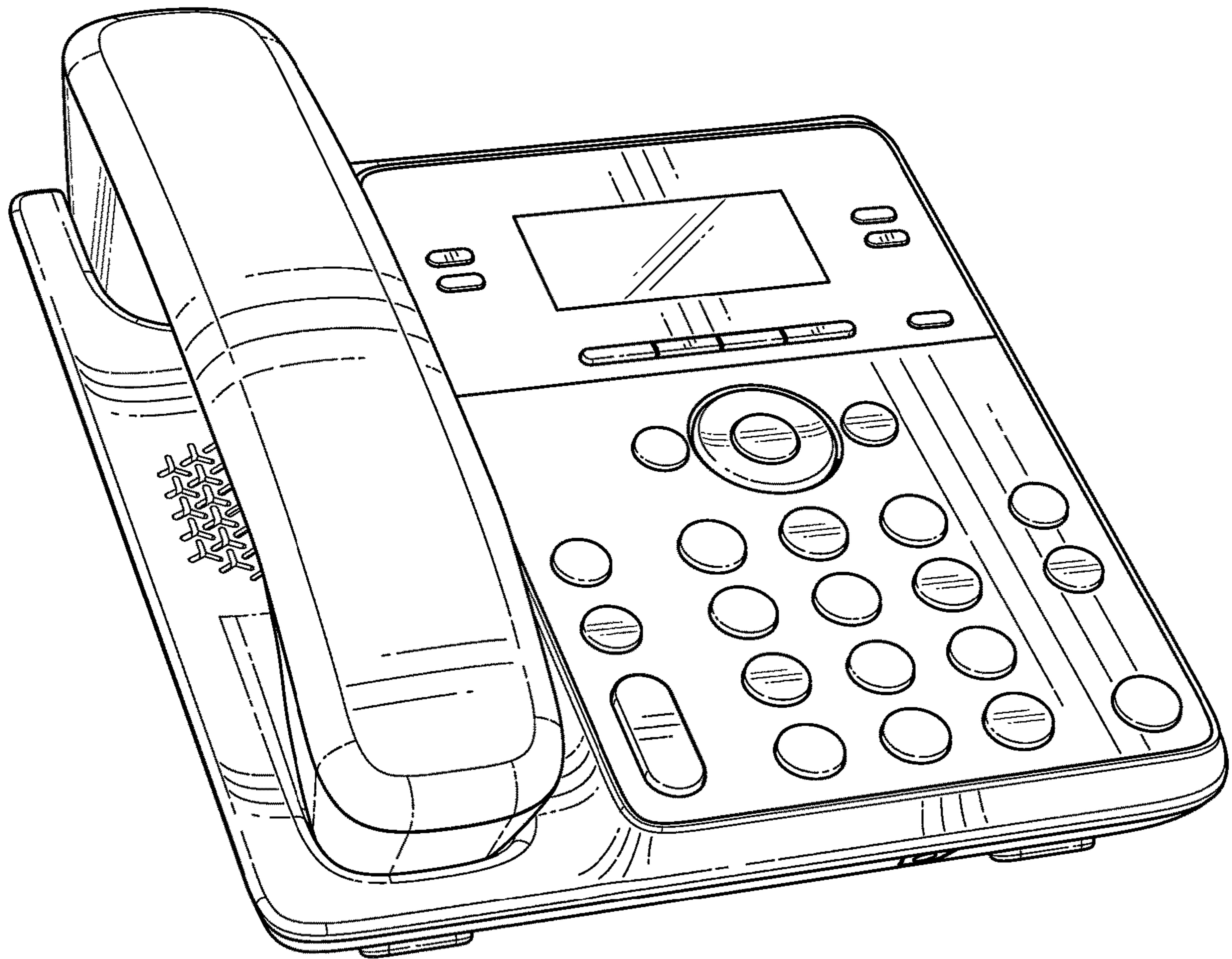


FIG. 9

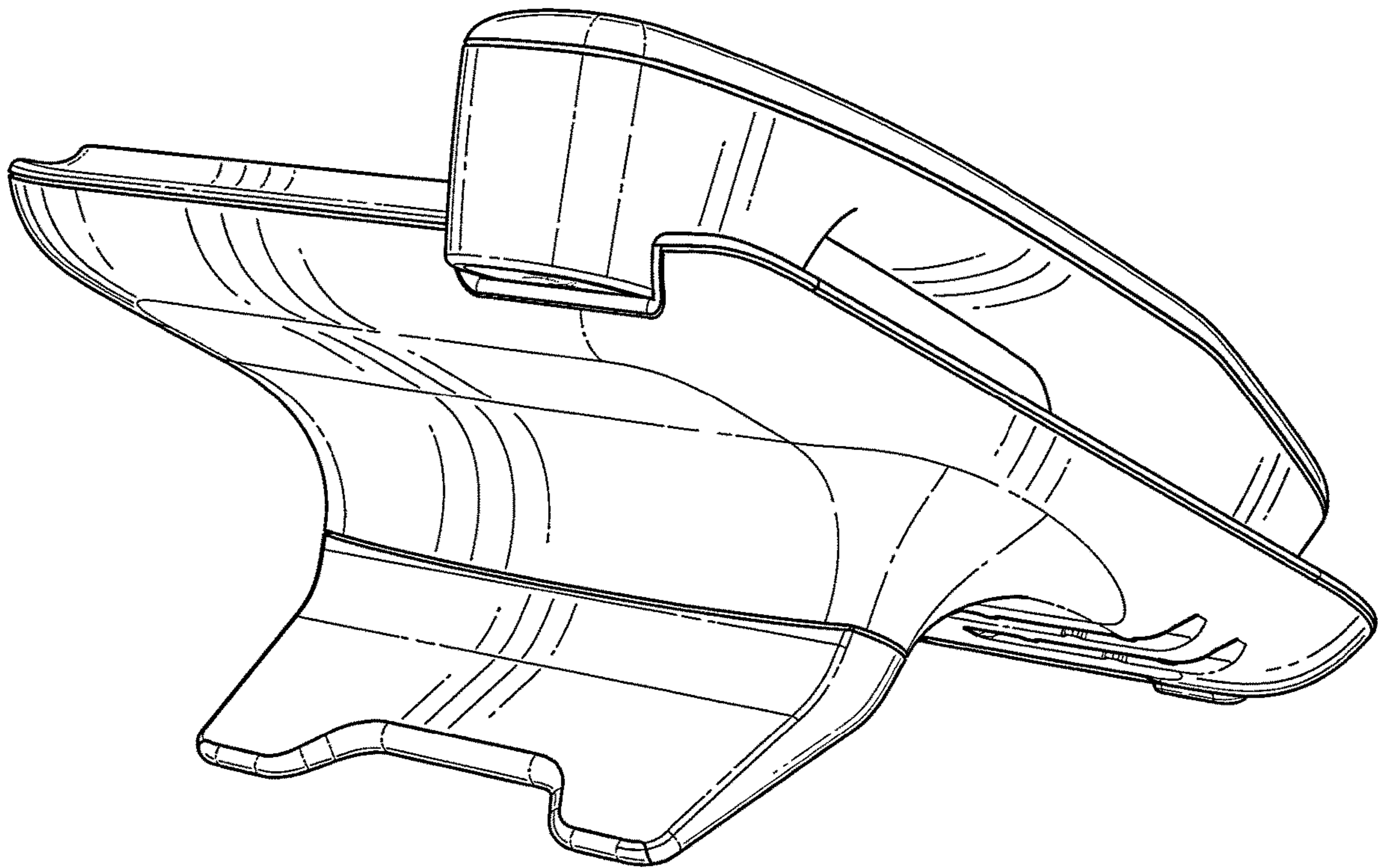


FIG. 10

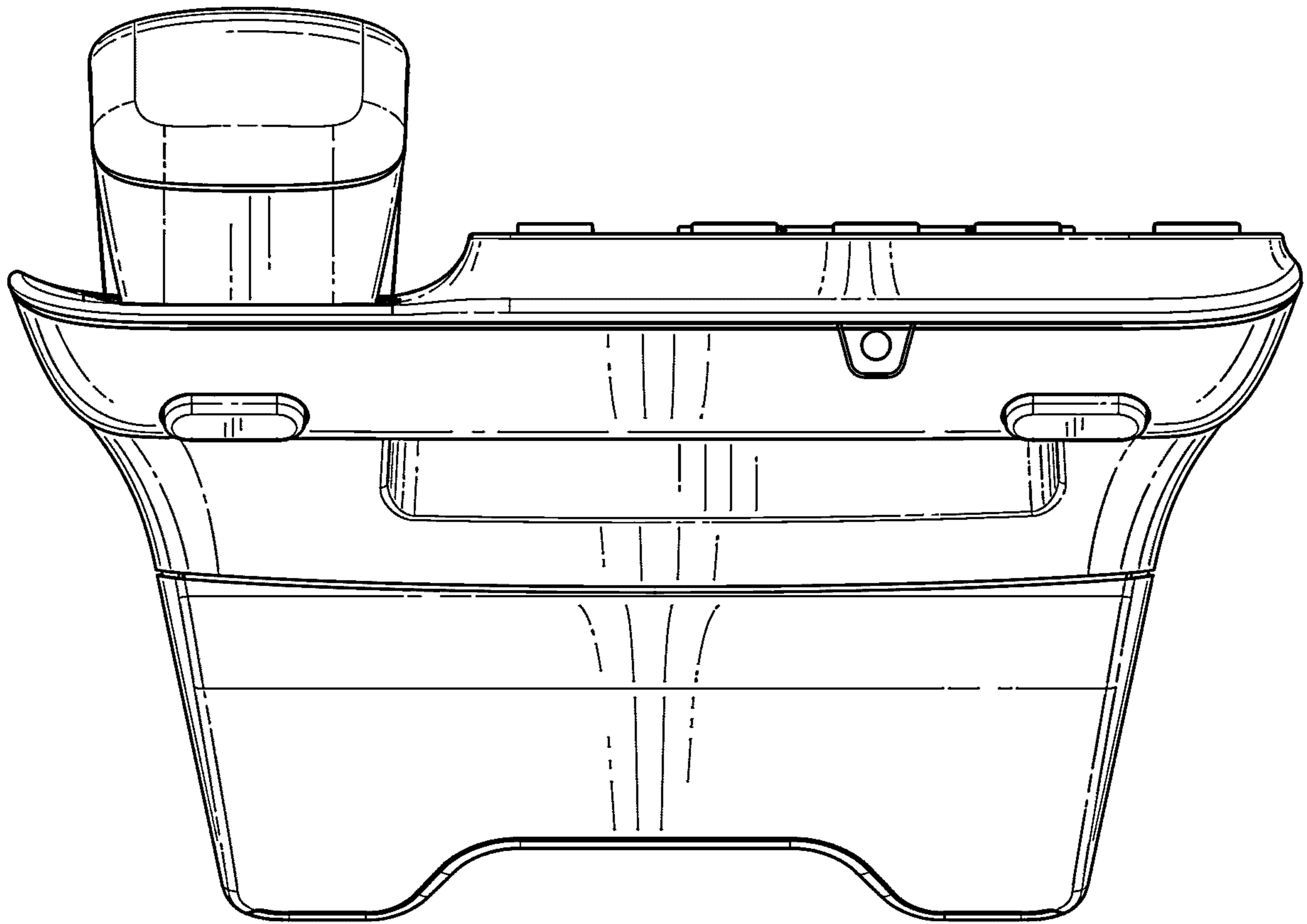


FIG. 11

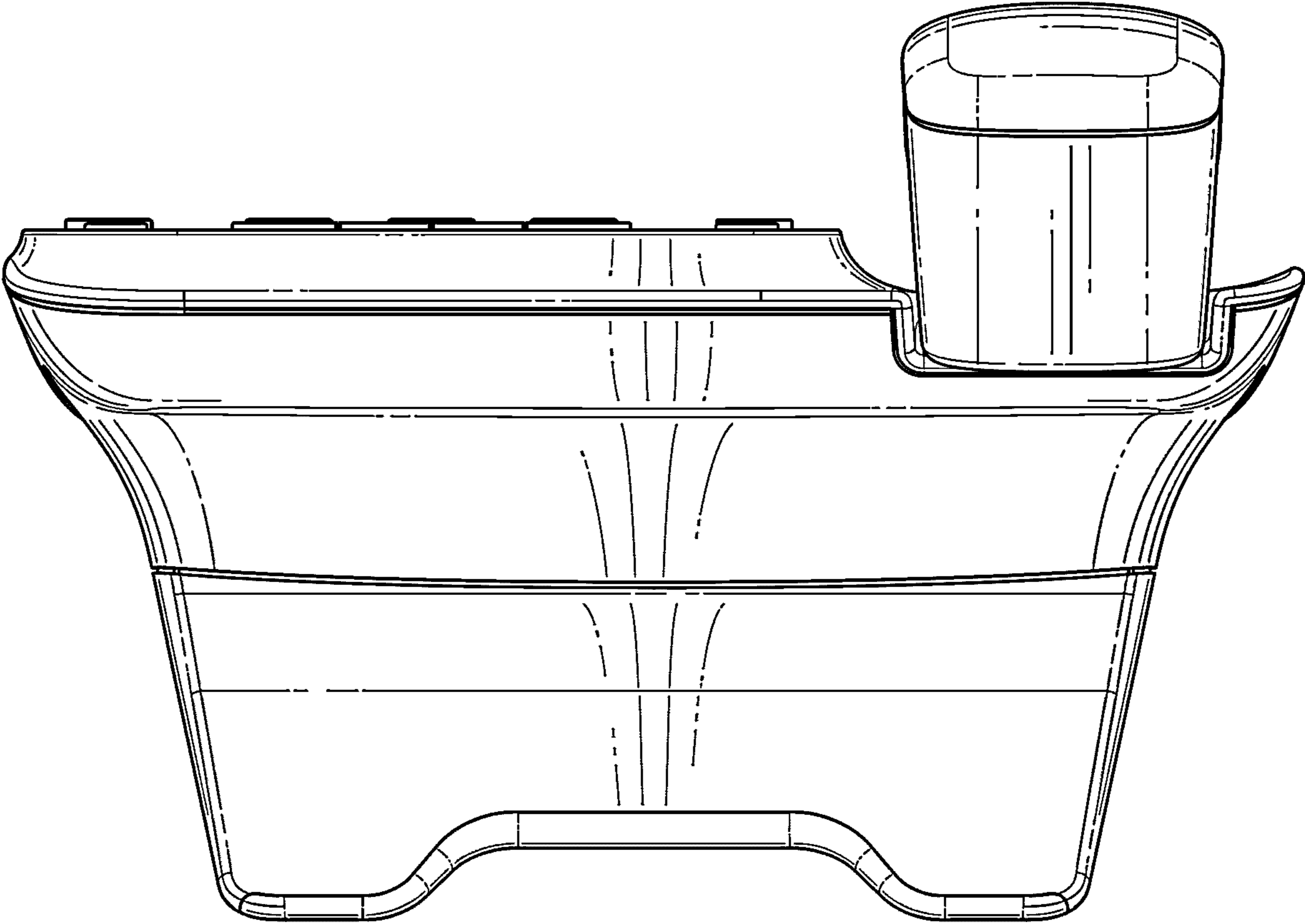


FIG. 12

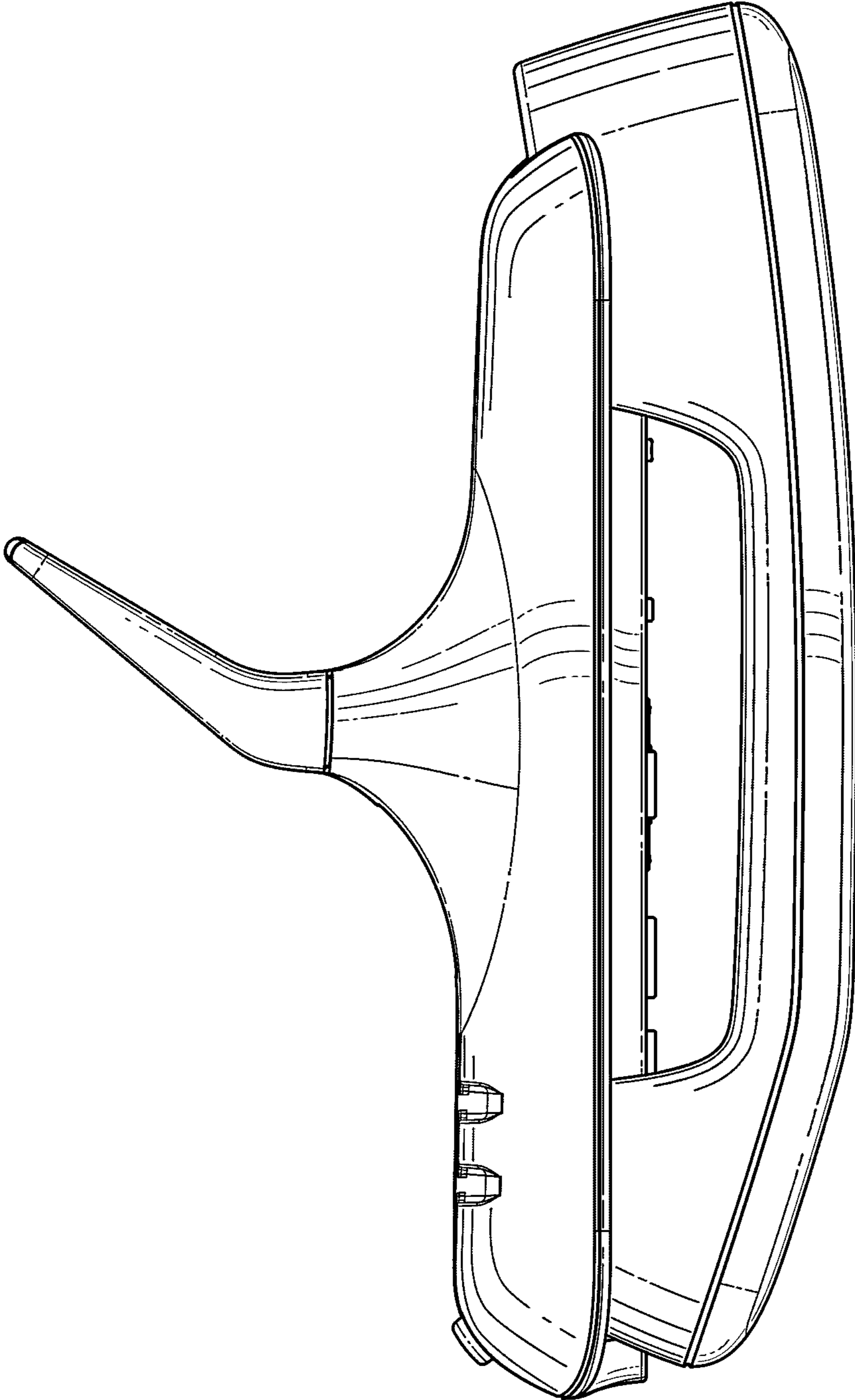


FIG. 13

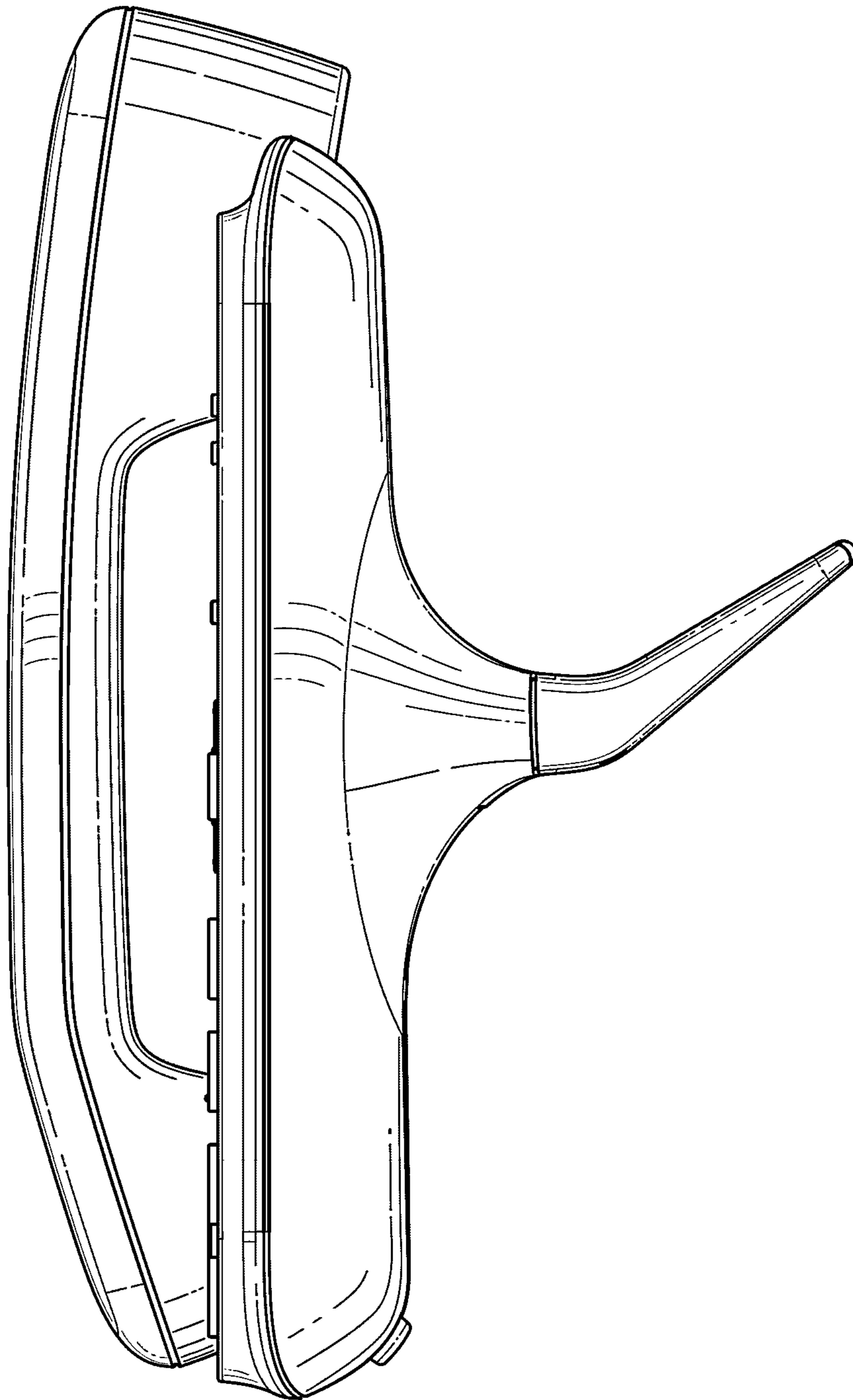


FIG. 14

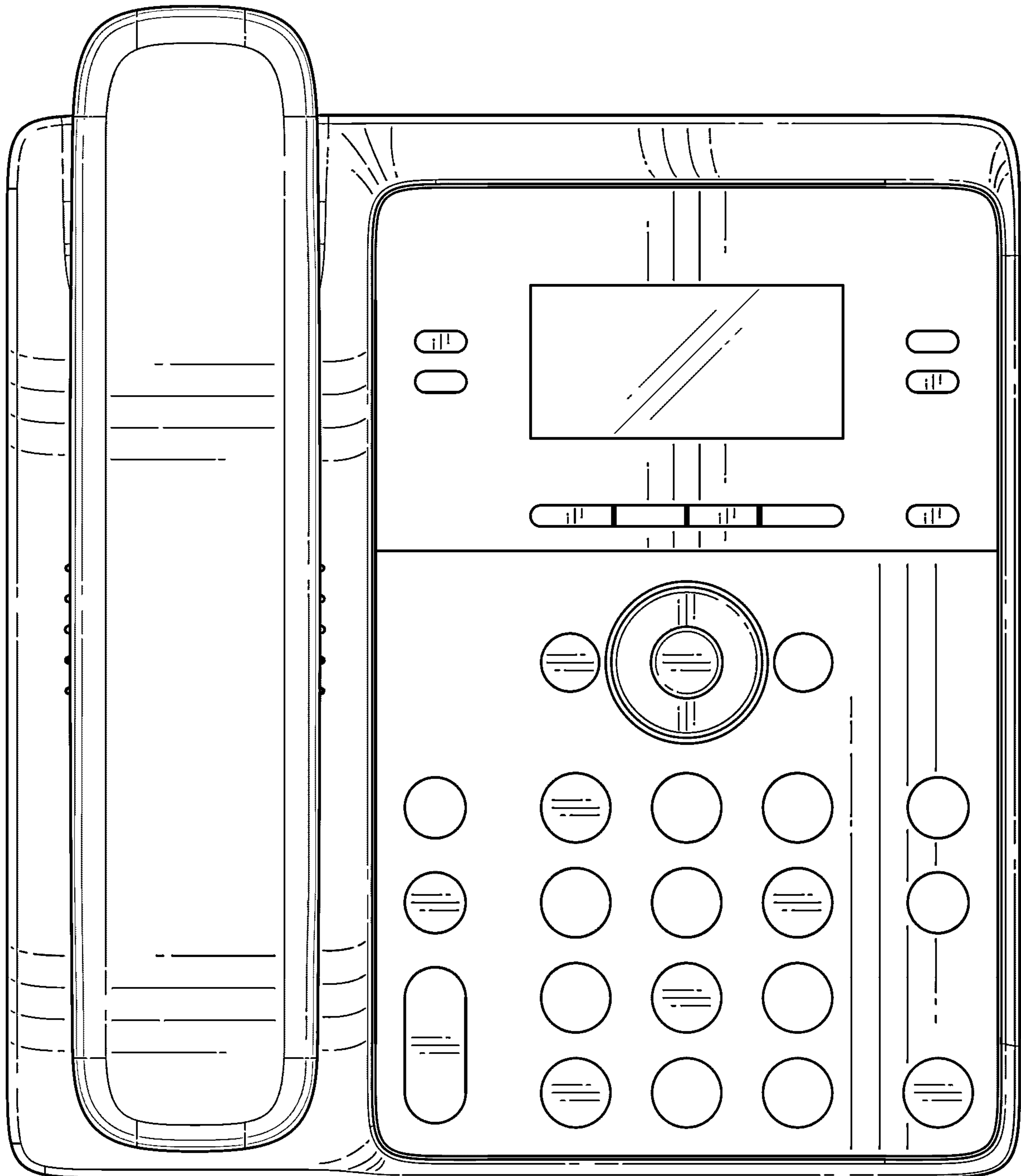


FIG. 15

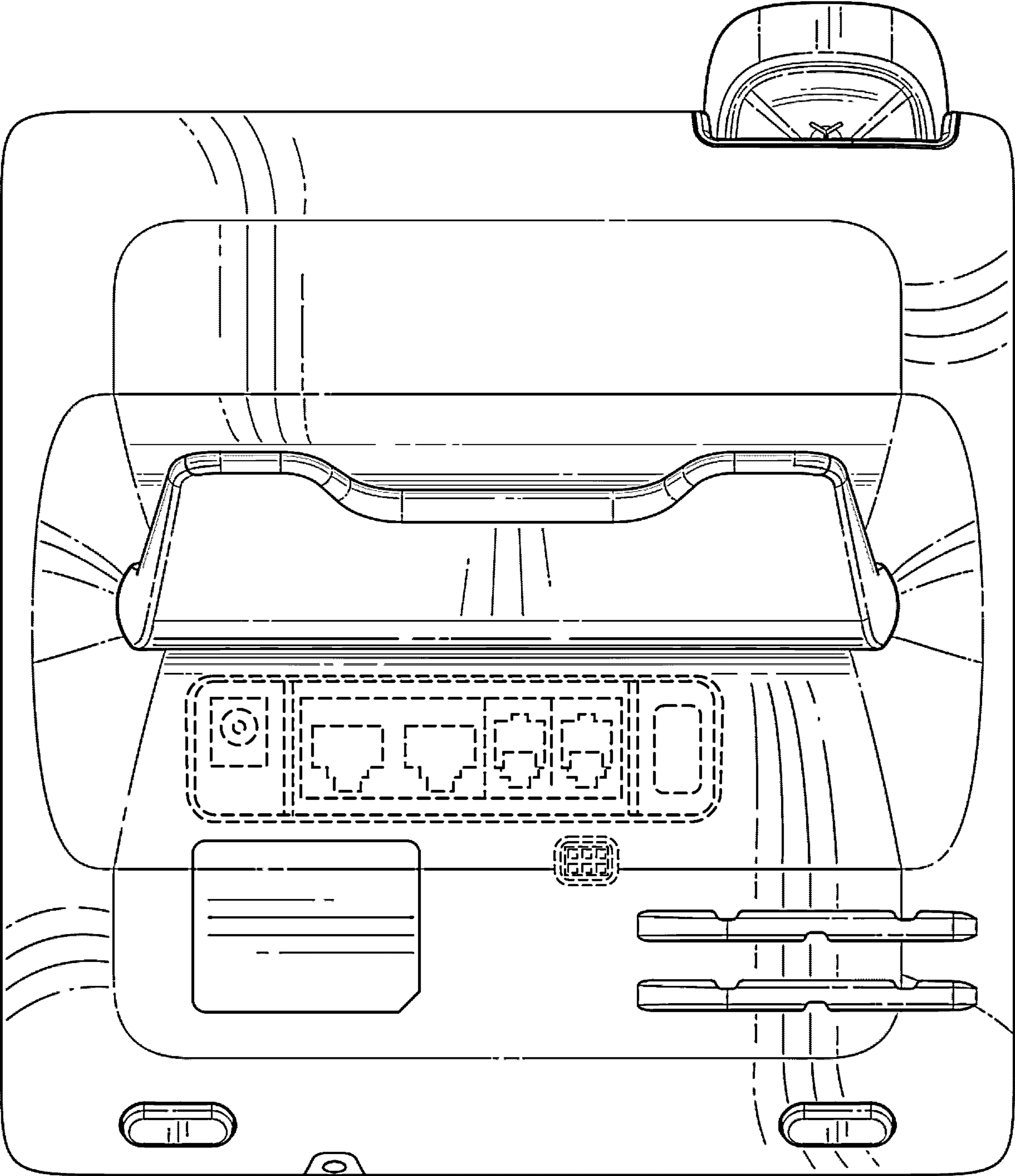


FIG. 16

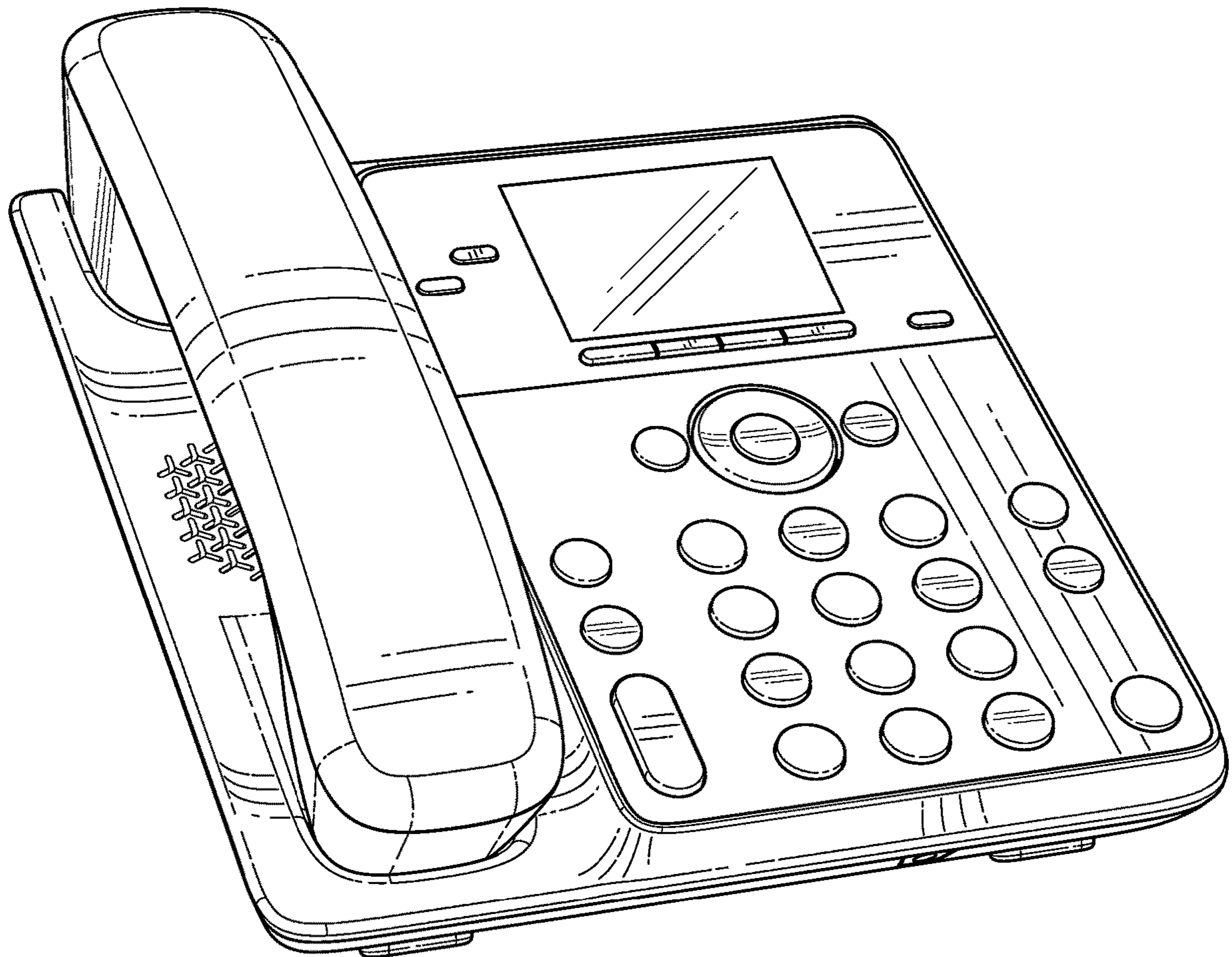


FIG. 17

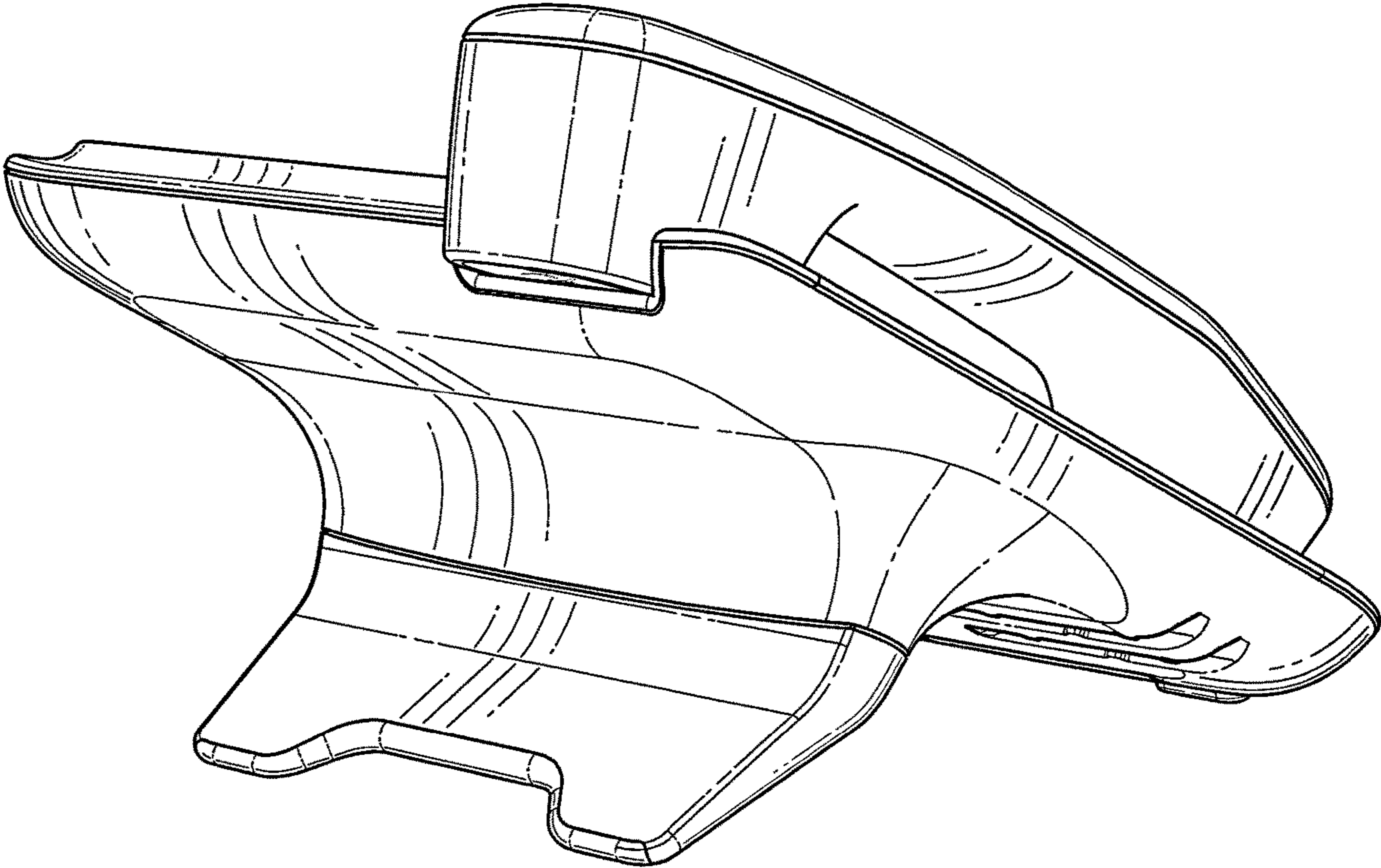


FIG. 18

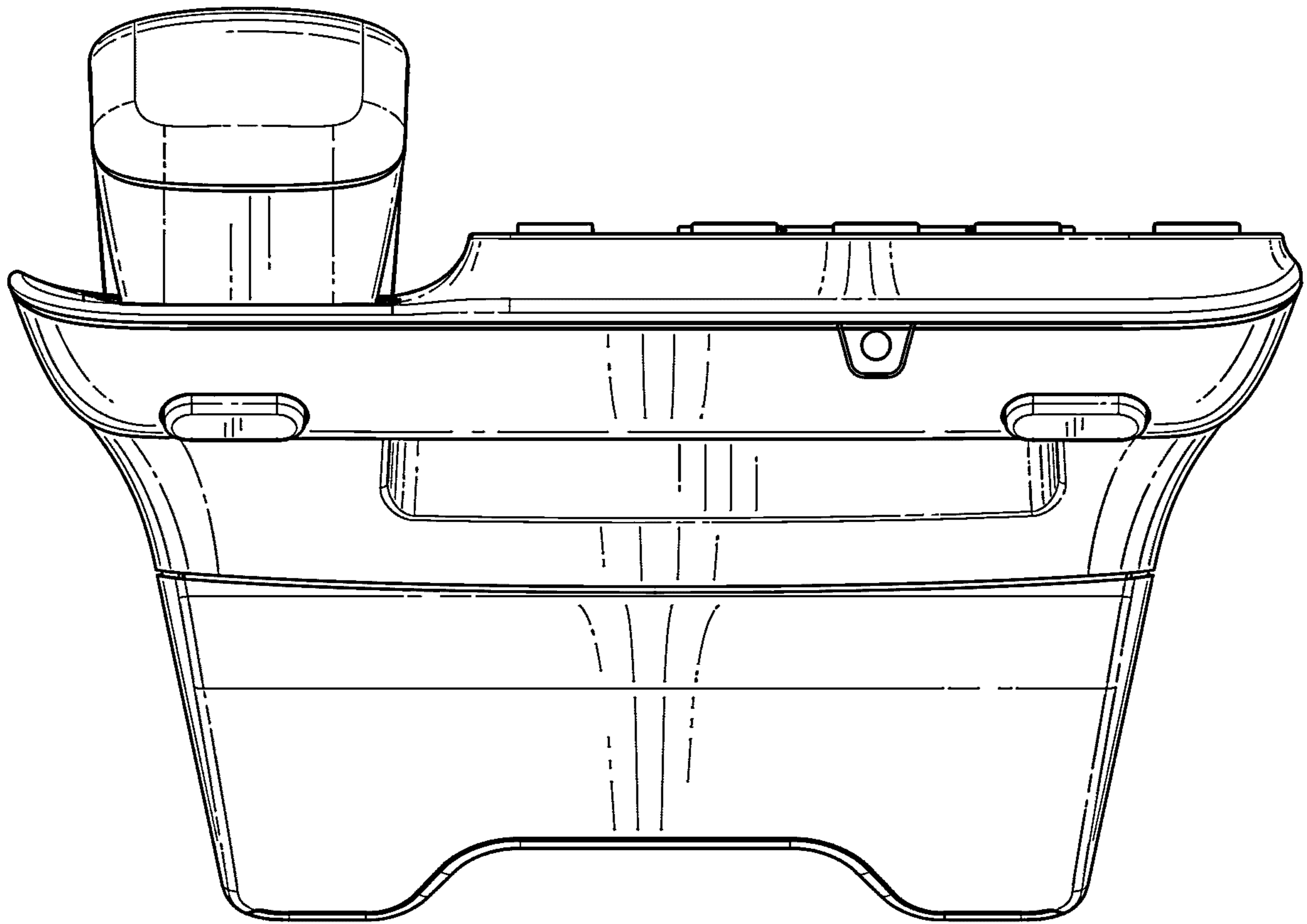


FIG. 19

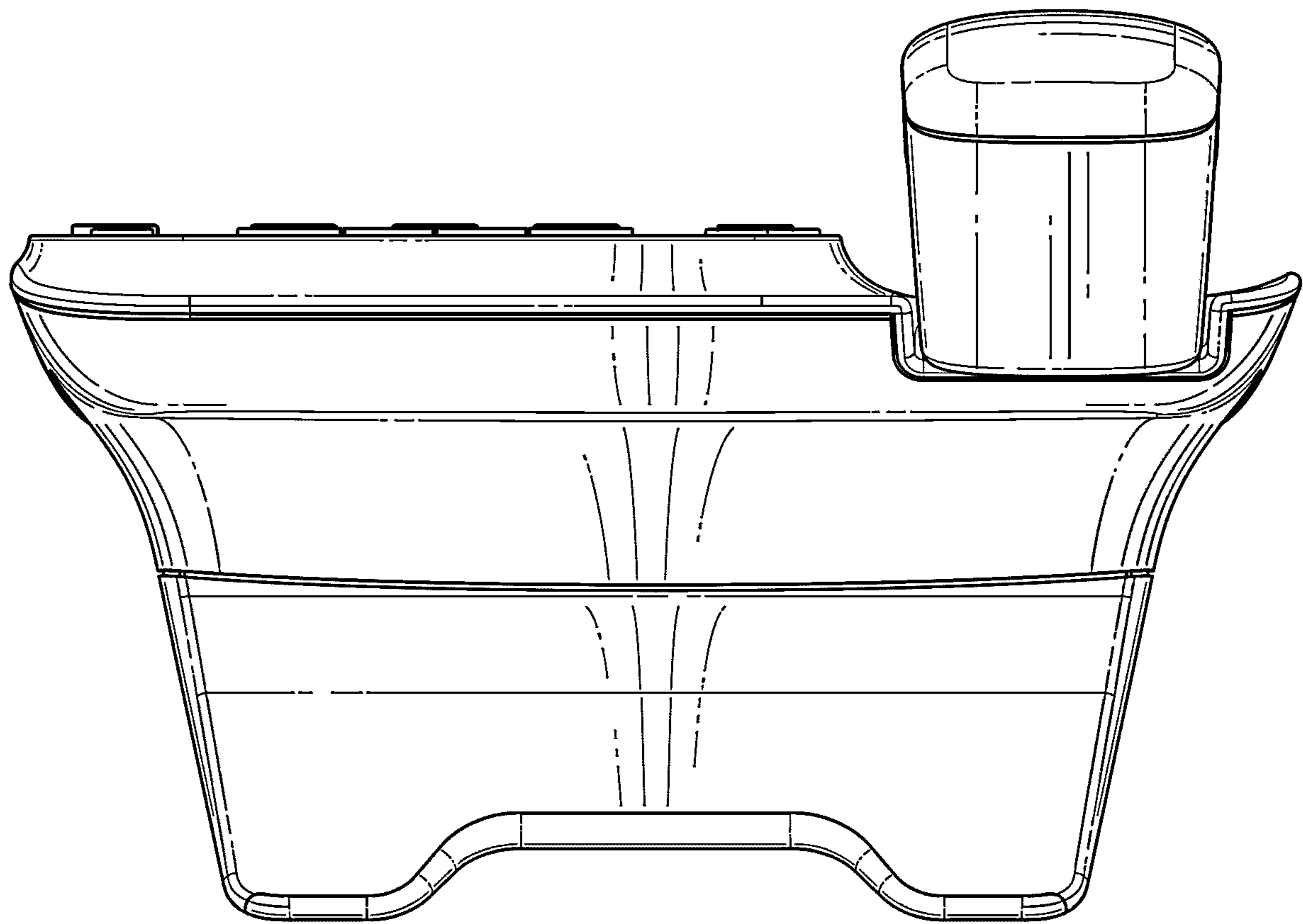


FIG. 20

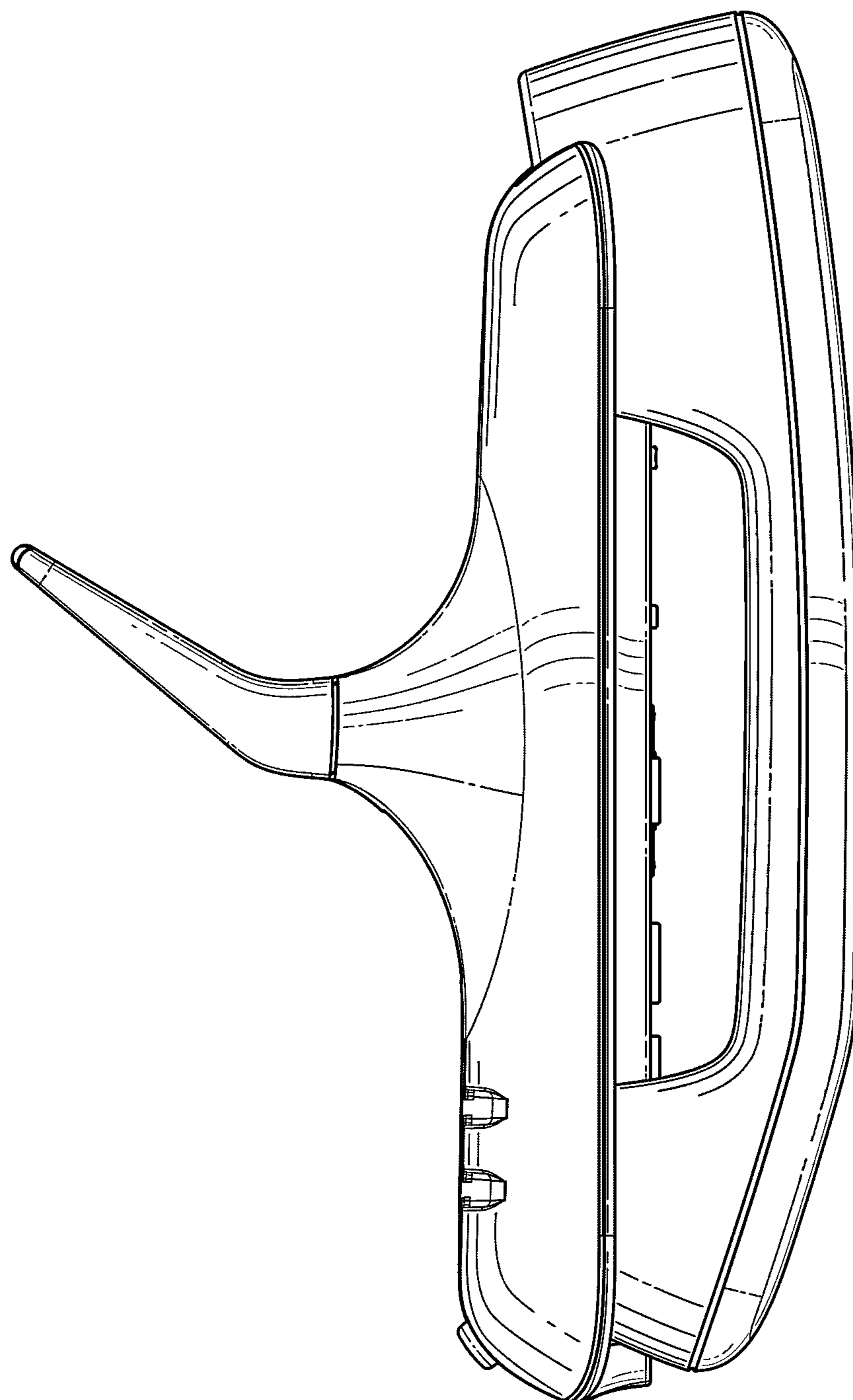


FIG. 21

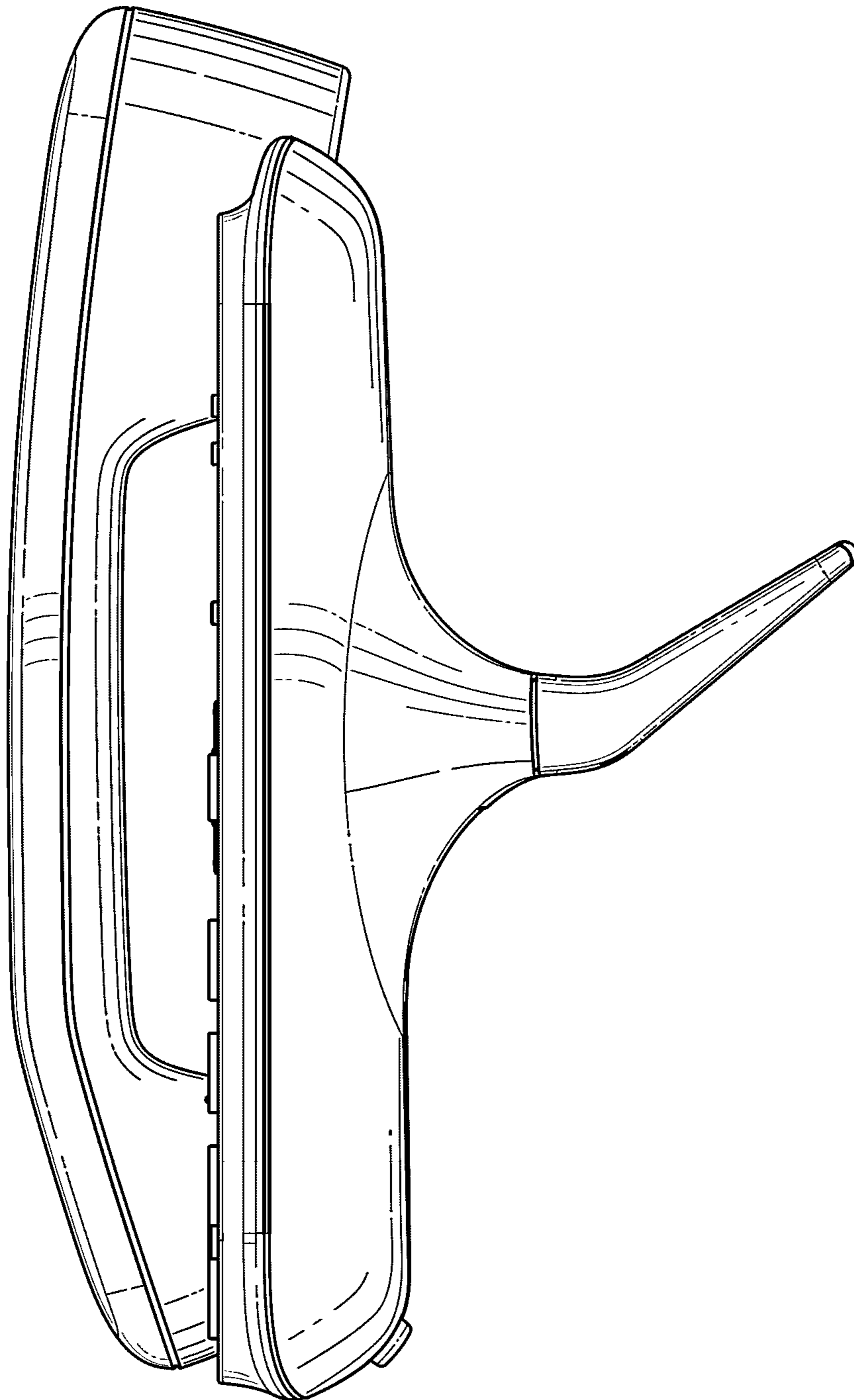


FIG. 22

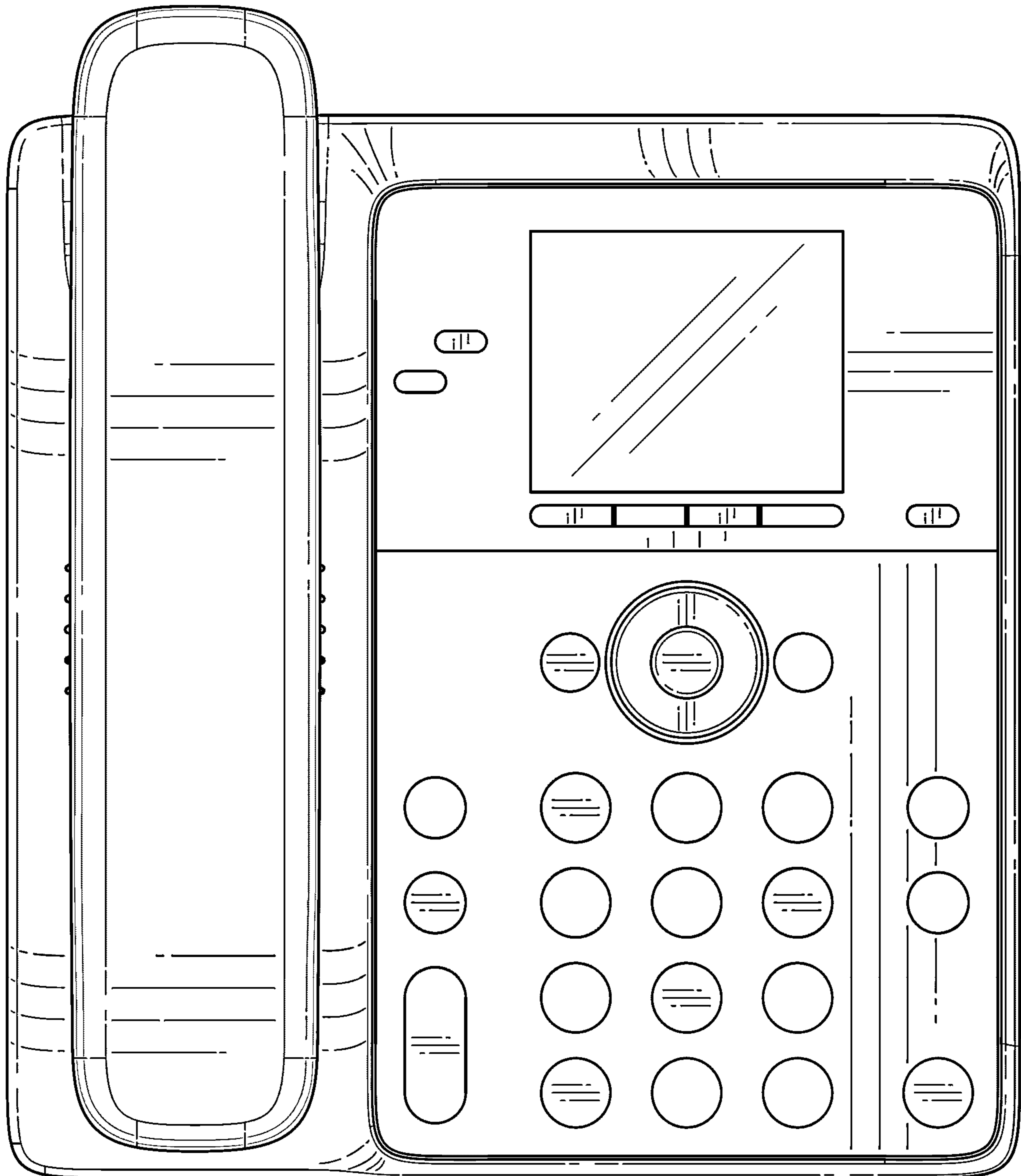


FIG. 23

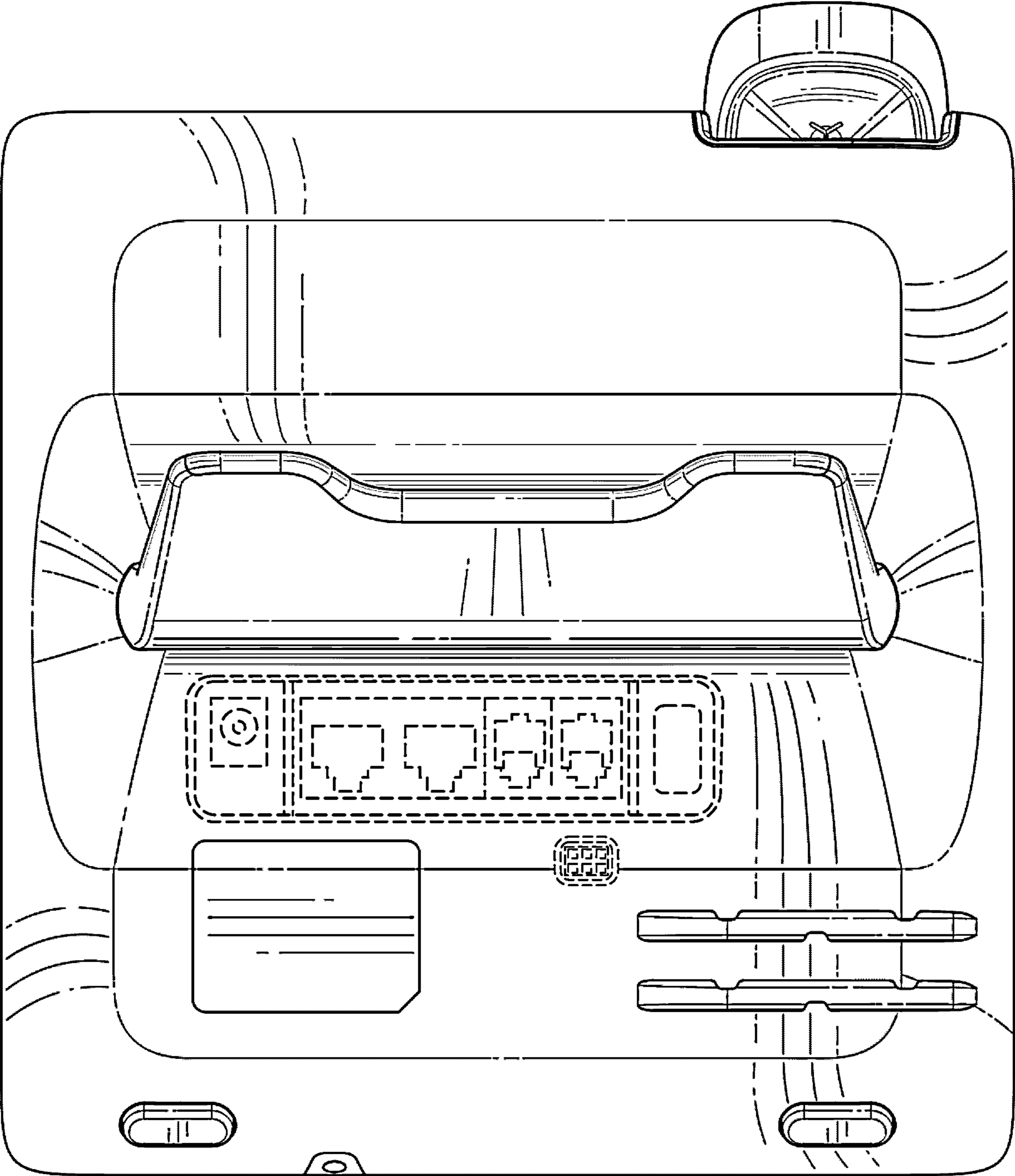


FIG. 24

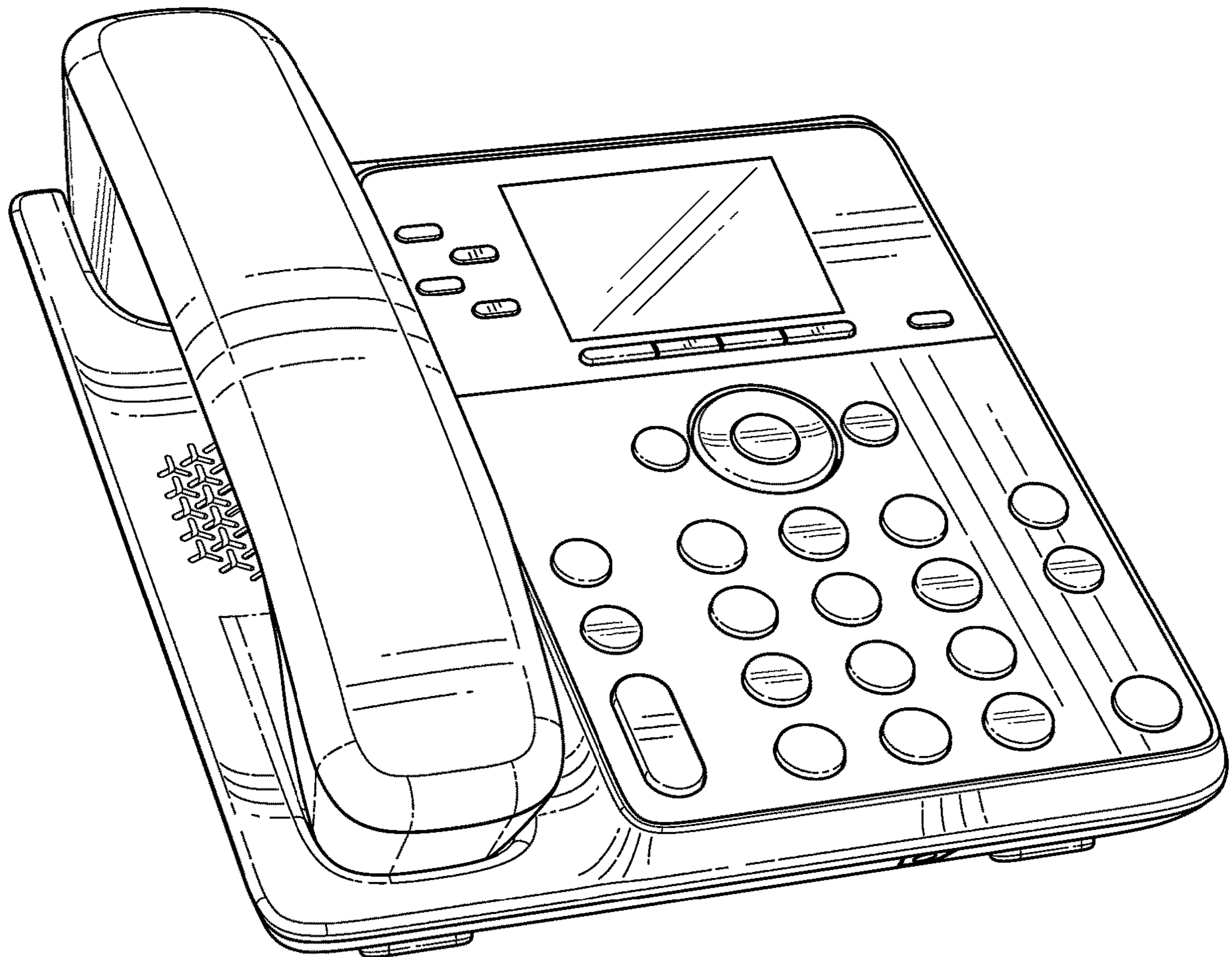


FIG. 25

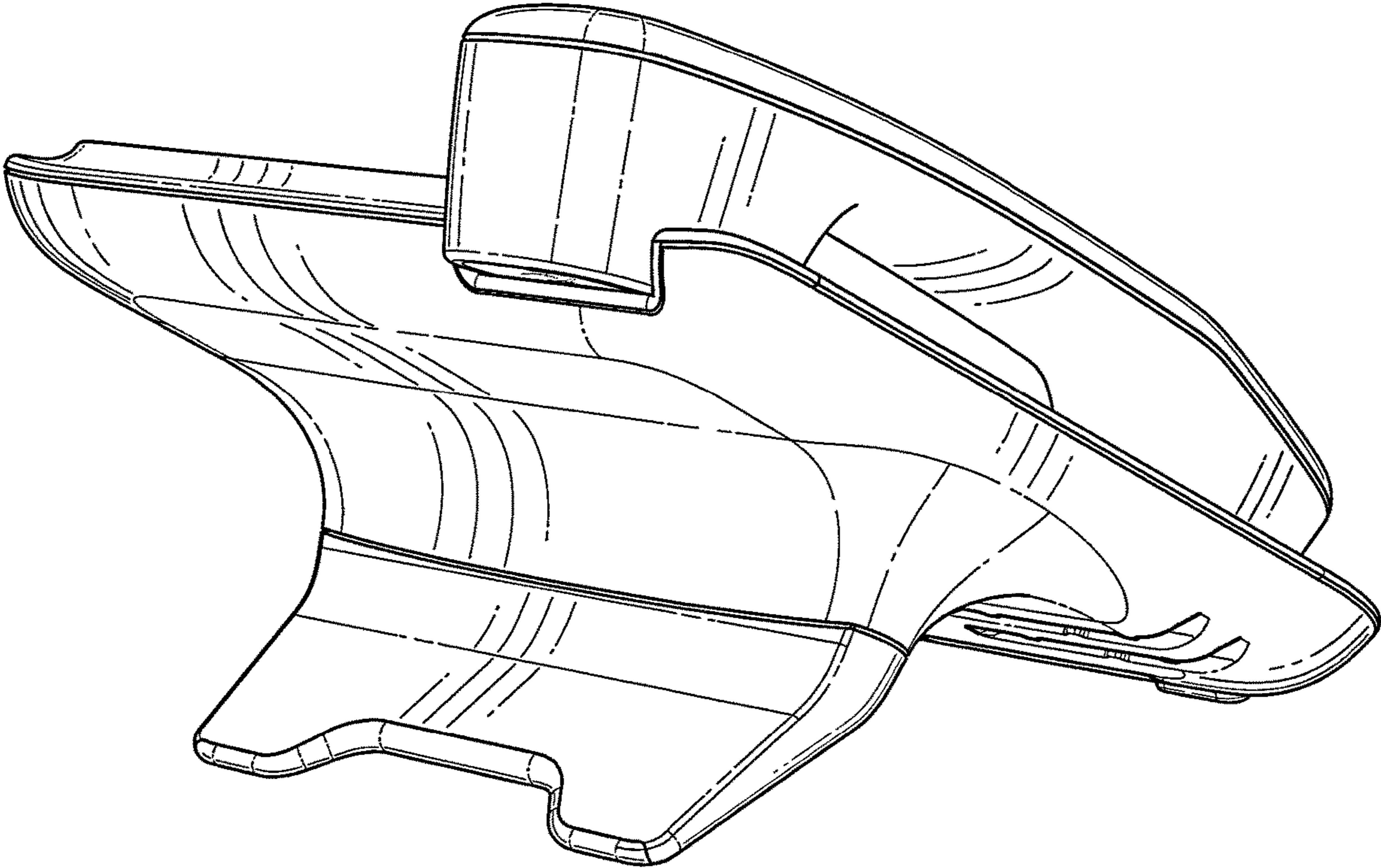


FIG. 26

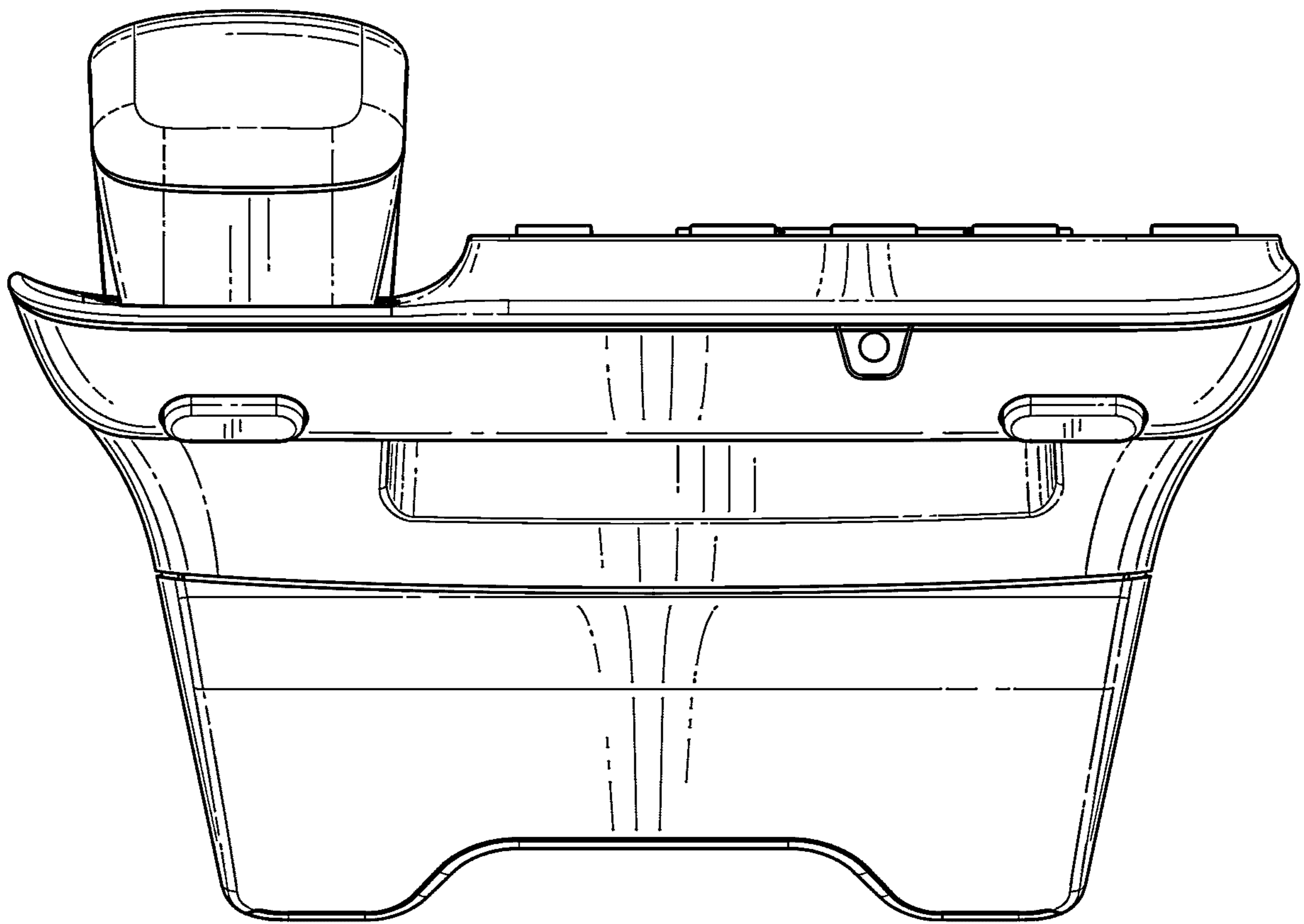


FIG. 27

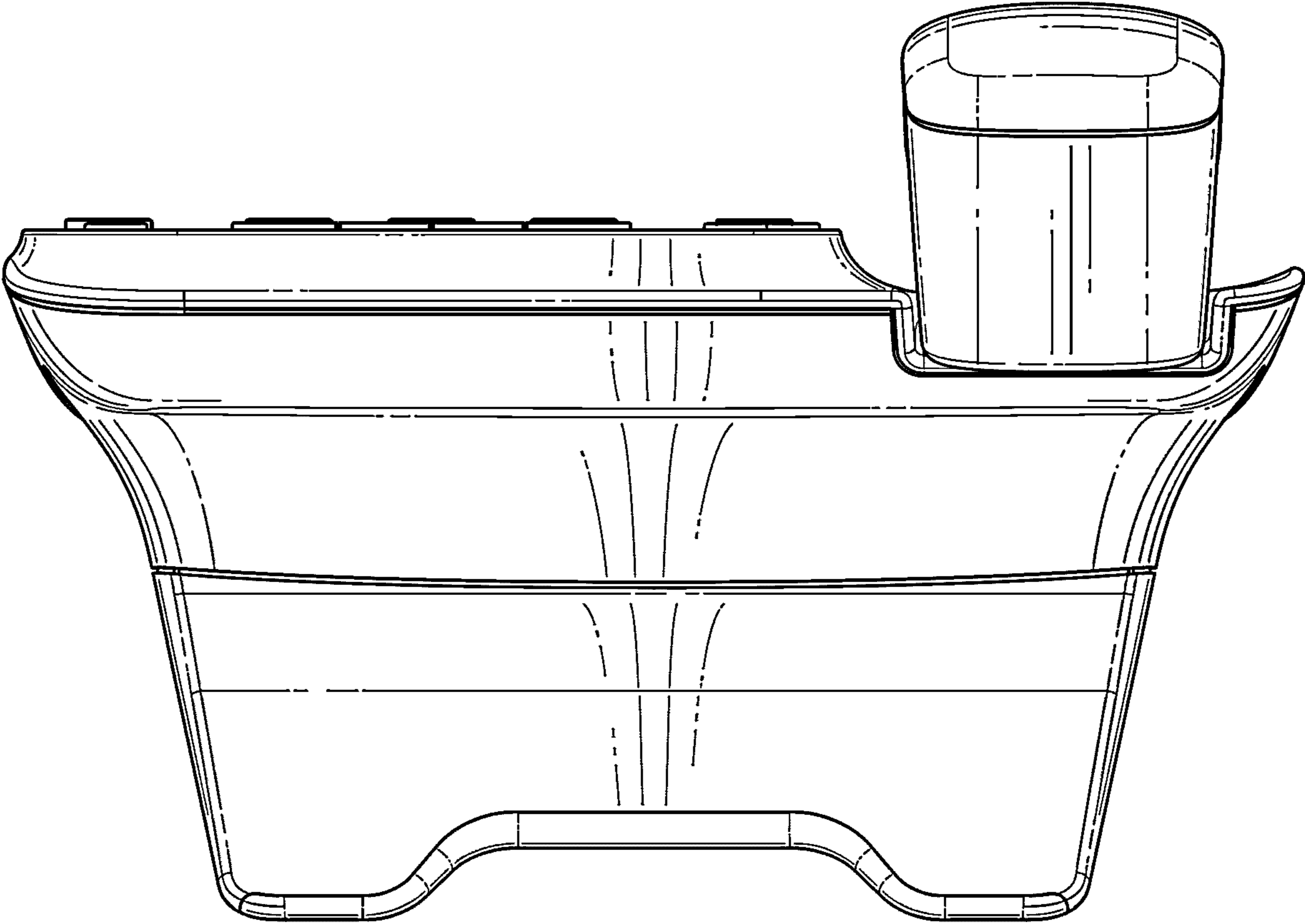


FIG. 28

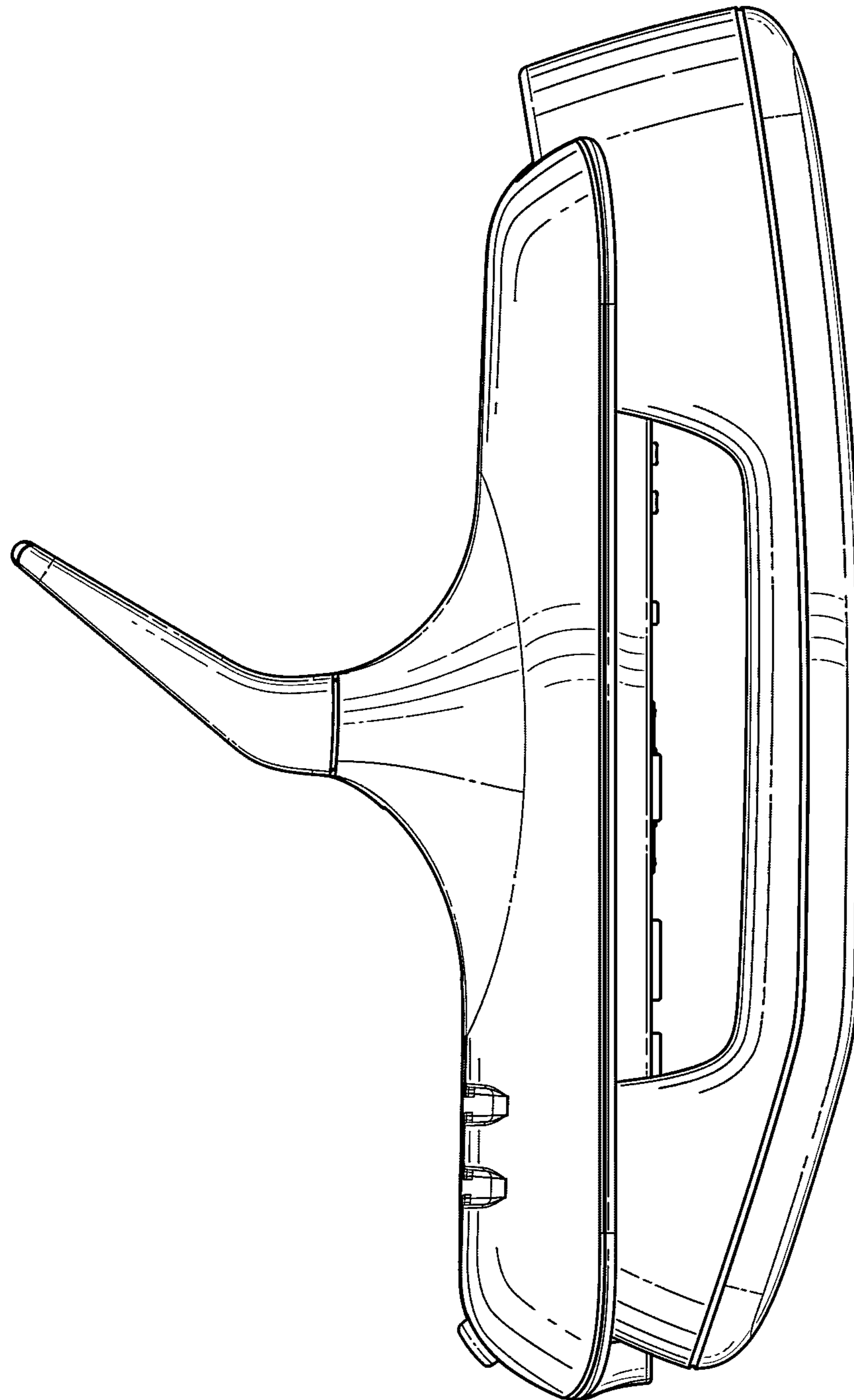


FIG. 29

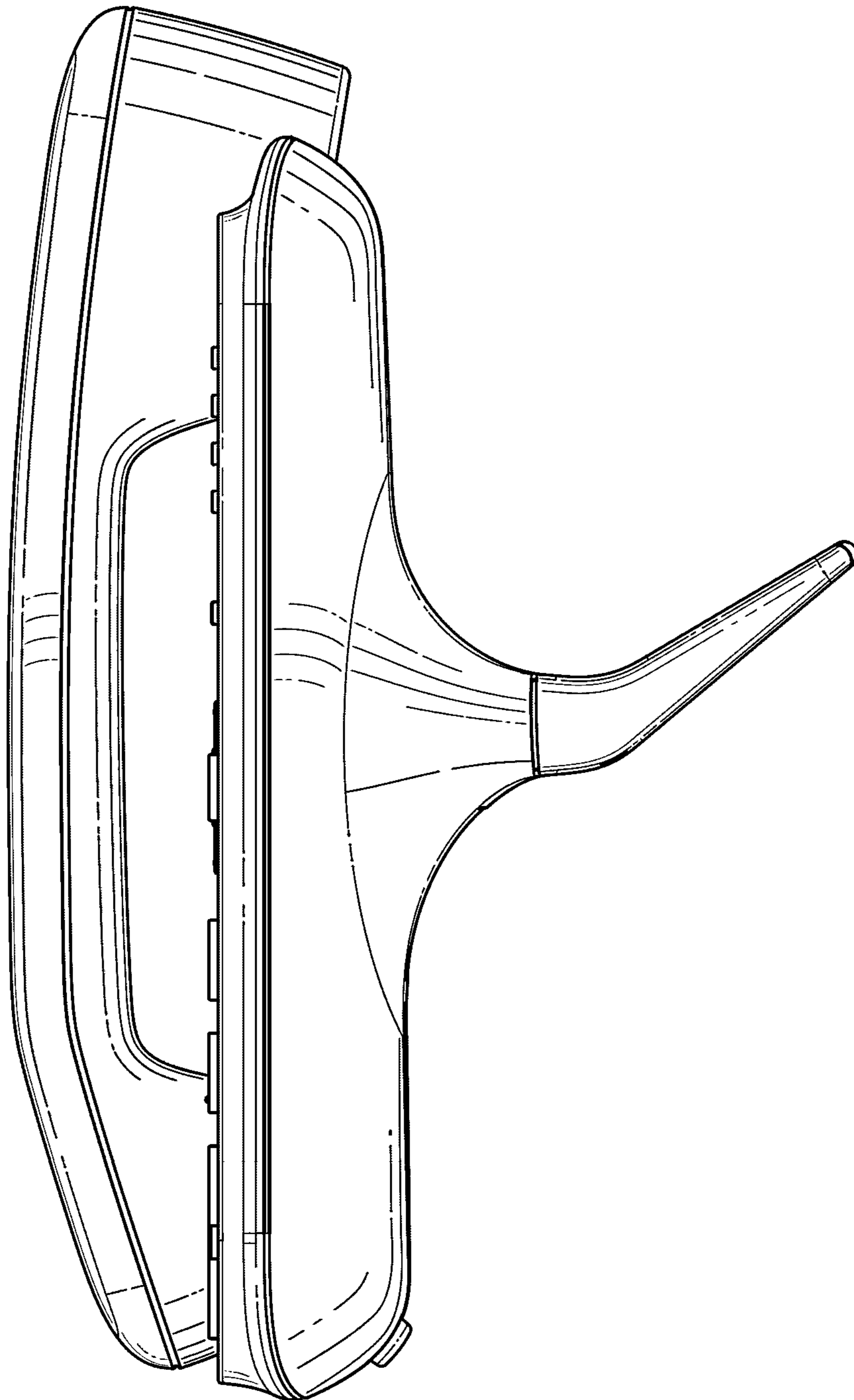


FIG. 30

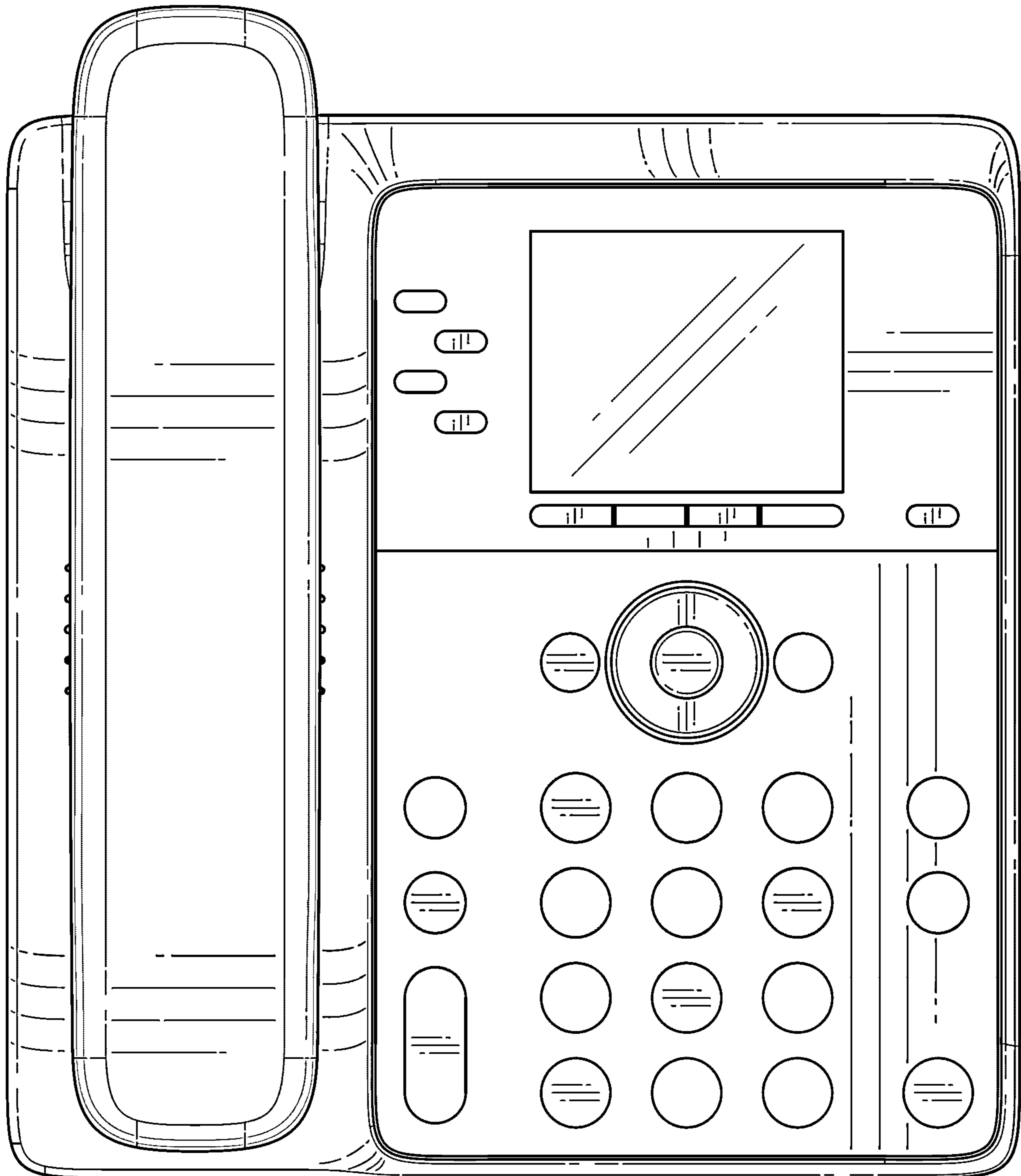


FIG. 31

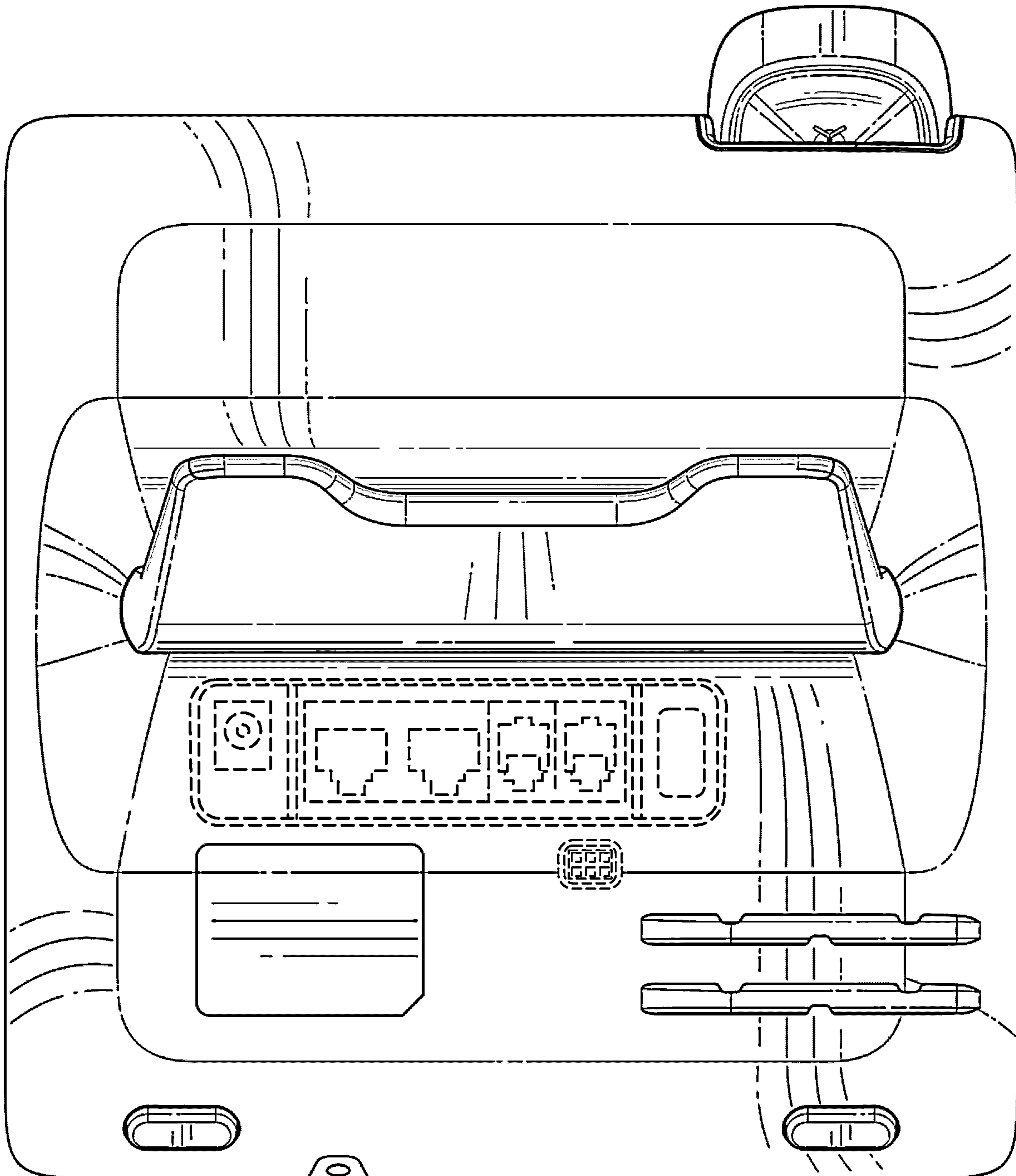


FIG. 32