



US00D984974S

(12) **United States Design Patent**  
**Zhang**

(10) **Patent No.:** **US D984,974 S**

(45) **Date of Patent:** **\*\* May 2, 2023**

(54) **TELEVISION**

FOREIGN PATENT DOCUMENTS

(71) Applicant: **BEIJING XIAOMI MOBILE SOFTWARE CO., LTD.**, Beijing (CN)

JP D1475458 \* 7/2013  
JP D1672673 S 11/2020  
TW D207113 S 9/2020

(72) Inventor: **Yunlong Zhang**, Beijing (CN)

OTHER PUBLICATIONS

(73) Assignee: **BEIJING XIAOMI MOBILE SOFTWARE CO., LTD.**, Beijing (CN)

Taiwan Intellectual Property Office, "Notice of Allowance," issued in Taiwanese Patent Application No. 110304966, which is a Taiwanese counterpart of U.S. Appl. U.S. Appl. No. 35/513,252, dated Dec. 2, 2021, 3 pages.

(\*\*) Term: **15 Years**

*Primary Examiner* — Marie D. Fast Horse

(21) Appl. No.: **35/513,252**

(74) *Attorney, Agent, or Firm* — Amster, Rothstein & Ebenstein LLP

(22) Filed: **Sep. 14, 2021**

(80) **Hague Agreement Data**

(57) **CLAIM**

Int. Filing Date: **Sep. 14, 2021**

The ornamental design for a television, as shown and described.

Int. Reg. No.: **DM/216454**

Int. Reg. Date: **Sep. 14, 2021**

Int. Reg. Pub. Date: **Oct. 1, 2021**

**DESCRIPTION**

(30) **Foreign Application Priority Data**

Mar. 15, 2021 (CN) ..... 202130137890.1

(51) **LOC (14) Cl.** ..... **14-03**

(52) **U.S. Cl.**  
USPC ..... **D14/126**

(58) **Field of Classification Search**  
USPC ..... D14/126, 129, 130, 132, 133, 159, 239,  
D14/307, 336, 371, 372, 374, 375, 376,  
(Continued)

- 1. Television
- 2. Television
- 3. Television
- 4. Television
- 5. Television
- 6. Television
- 1.1 : Front
- 1.2 : Back
- 1.3 : Left
- 1.4 : Right
- 1.5 : Top
- 1.6 : Bottom
- 1.7 : Perspective
- 2.1 : Front
- 2.2 : Back
- 2.3 : Left
- 2.4 : Right
- 2.5 : Top
- 2.6 : Bottom
- 2.7 : Perspective

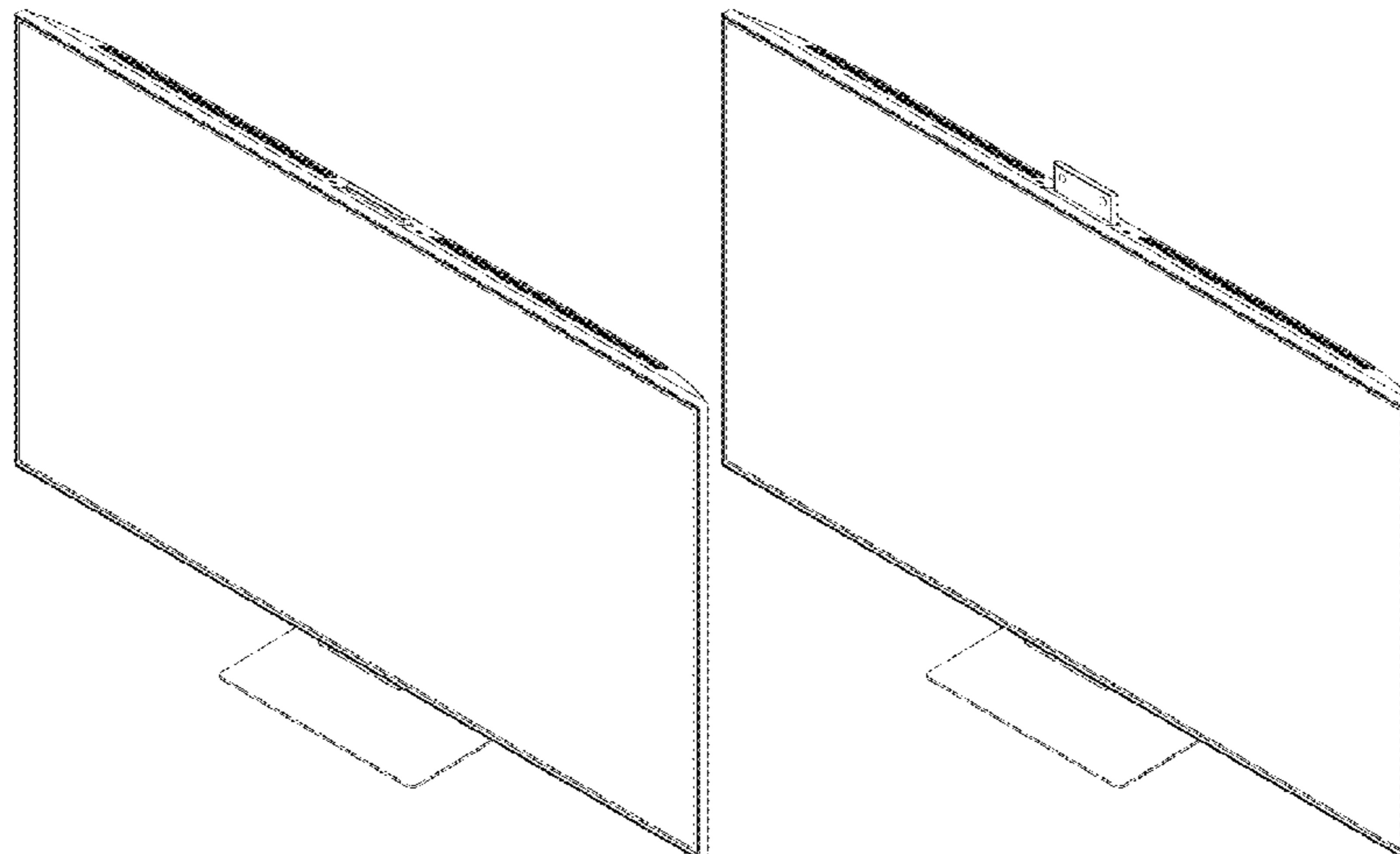
(56) **References Cited**

U.S. PATENT DOCUMENTS

D545,315 S \* 6/2007 Kim ..... D14/375  
D570,806 S \* 6/2008 Lee ..... D14/126

(Continued)

(Continued)



- 3.1 : Front
- 3.2 : Back
- 3.3 : Left
- 3.4 : Right
- 3.5 : Top
- 3.6 : Bottom
- 3.7 : Perspective
- 3.8 : Front
- 3.9 : Back
- 3.10 : Left
- 3.11 : Right
- 3.12 : Top
- 3.13 : Bottom
- 3.14 : Perspective
- 4.1 : Front
- 4.2 : Back
- 4.3 : Left
- 4.4 : Right
- 4.5 : Top
- 4.6 : Bottom
- 4.7 : Perspective
- 5.1 : Front
- 5.2 : Back
- 5.3 : Left
- 5.4 : Right
- 5.5 : Top
- 5.6 : Bottom
- 5.7 : Perspective
- 6.1 : Front
- 6.2 : Back
- 6.3 : Left
- 6.4 : Right
- 6.5 : Top
- 6.6 : Bottom
- 6.7 : Perspective
- 6.8 : Front
- 6.9 : Back
- 6.10 : Left
- 6.11 : Right
- 6.12 : Top
- 6.13 : Bottom
- 6.14 : Perspective

1.1 to 1.7 are views showing a first television; 2.1 to 2.7 are views showing a second television having a protruding top part; 3.1 to 3.14 are views showing a third television having a top part which is in a retracting state in 3.1-3.7 and is in a protruding state in 3.8-3.14; 4.1 to 4.7 are views showing

a fourth television; 5.1 to 5.7 are views showing a fifth television having a protruding top part; and 6.1 to 6.14 are views showing a sixth television having a top part which is in a retracting state in 6.1-6.7 and is in a protruding state in 6.8-6.14.

The broken lines in the drawings depict portions of the television that form no part of the claimed design.

**1 Claim, 40 Drawing Sheets**

(58) **Field of Classification Search**

USPC ..... D14/383, 448, 451, 496; D10/46, 65, D10/104.1, 109.1, 75; D24/138, 107, D24/184, 186, 169, 216; D20/10, 18, 19, D20/21, 39; D16/208  
 CPC .... G06F 1/1601; G06F 1/1605; G06F 1/1607; G06F 1/1637; G06F 1/1642; G06F 1/182; G06F 1/20; G06F 2200/1612; G06F 3/0421; G06F 3/0428; G06F 3/0488

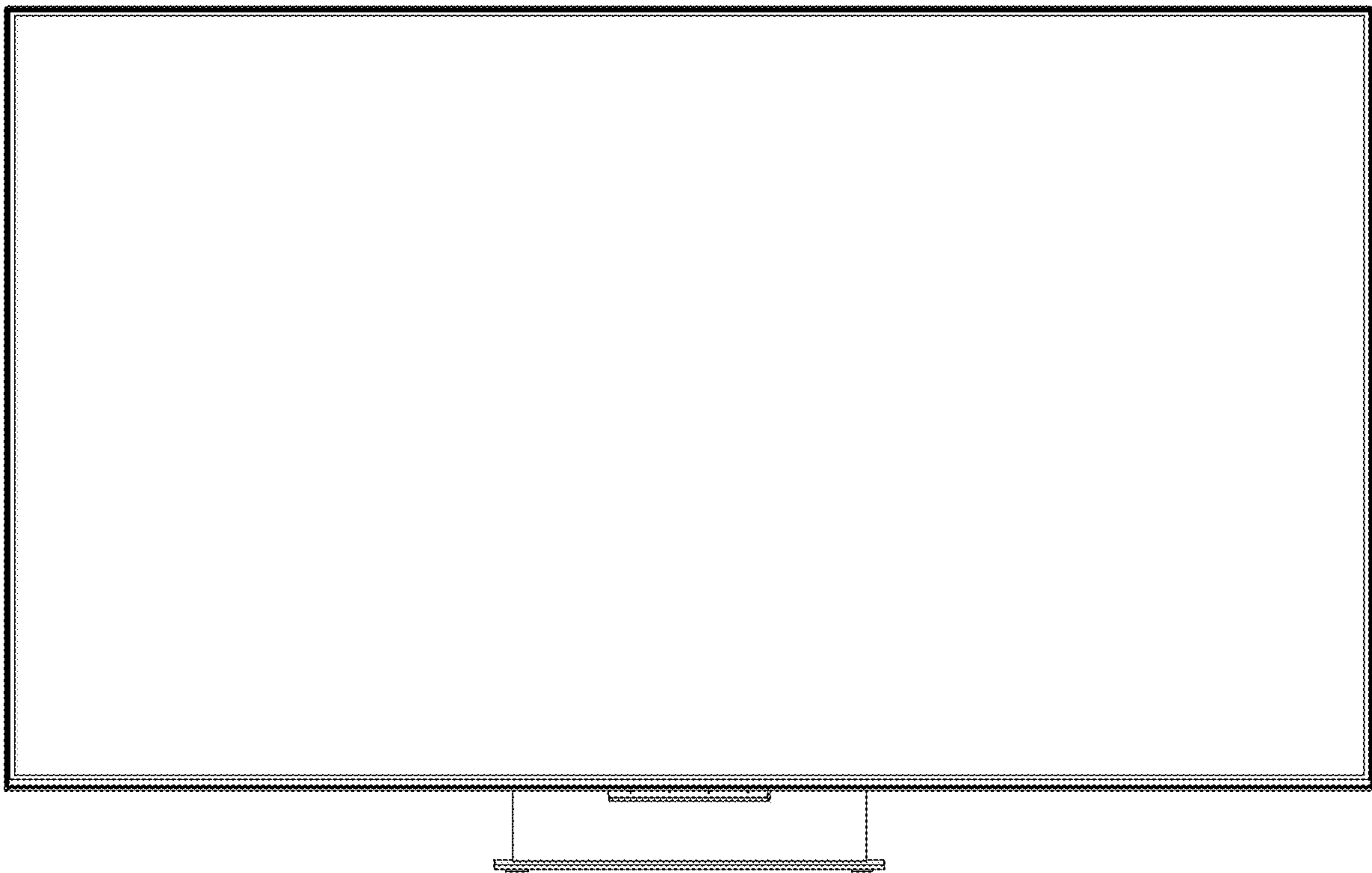
See application file for complete search history.

(56) **References Cited**

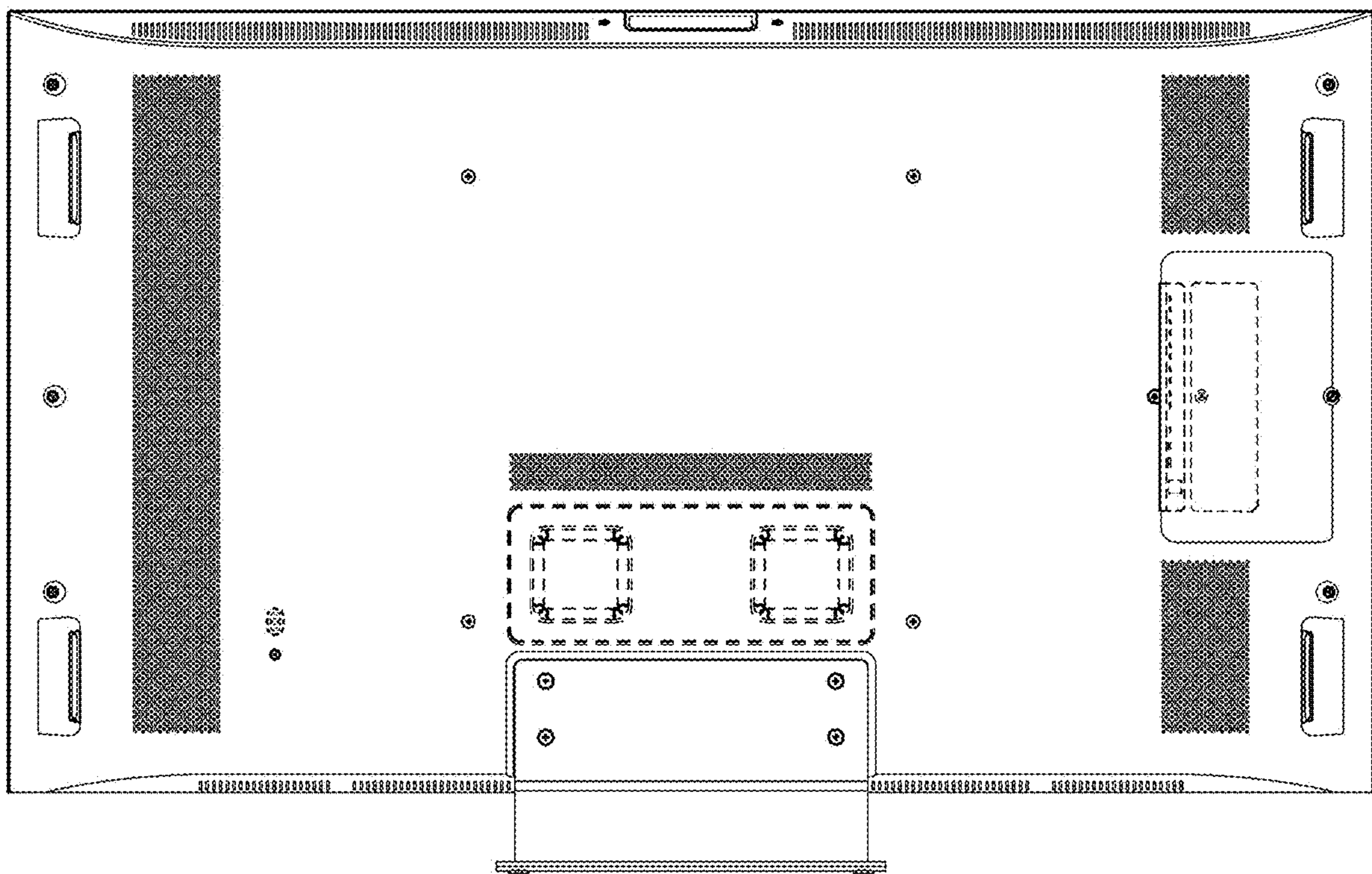
U.S. PATENT DOCUMENTS

D663,706	S *	7/2012	Cha	.....	D14/126
D670,256	S *	11/2012	Kim	.....	D14/126
D702,201	S *	4/2014	Kim	.....	D14/129
D706,850	S *	6/2014	Takami	.....	D16/202
D714,289	S *	9/2014	Shoda	.....	D14/371
D722,300	S *	2/2015	Won	.....	D14/126
D725,649	S *	3/2015	Pak	.....	D14/374
D726,667	S *	4/2015	Kim	.....	D14/126
D738,338	S *	9/2015	Lee	.....	D14/126
D744,436	S *	12/2015	Lee	.....	D14/126
D797,736	S *	9/2017	Chu	.....	D14/374
D814,465	S *	4/2018	Kim	.....	D14/374
D817,329	S *	5/2018	Chu	.....	D14/374
D871,395	S *	12/2019	Yang	.....	D14/336
D905,650	S *	12/2020	Lee	.....	D14/126
D929,354	S *	8/2021	Lee	.....	D14/126
D935,457	S *	11/2021	Ryu	.....	D14/374
D937,263	S *	11/2021	Kim	.....	D14/374
D938,950	S *	12/2021	Yoon	.....	D14/336
D940,674	S *	1/2022	Høy-Petersen	.....	D14/130
D940,676	S *	1/2022	Høy-Petersen	.....	D14/130
2013/0242483	A1 *	9/2013	Hirasawa	.....	G02F 1/155 361/679.01
2020/0209914	A1 *	7/2020	Franke	.....	G06F 1/16

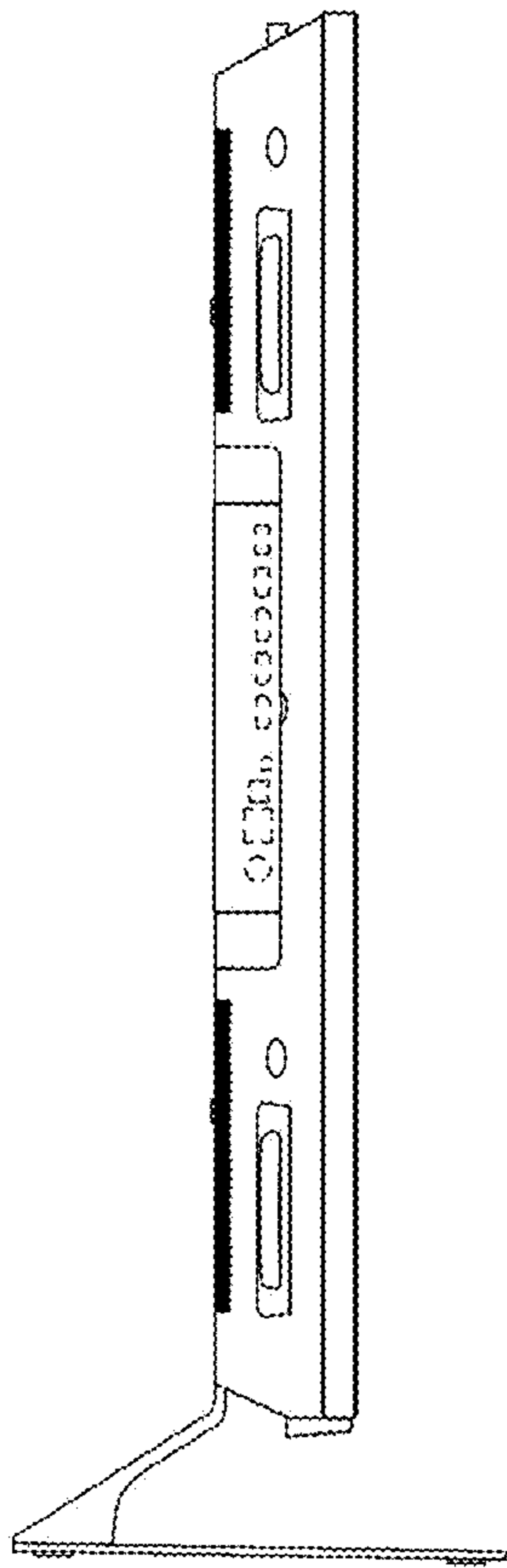
\* cited by examiner



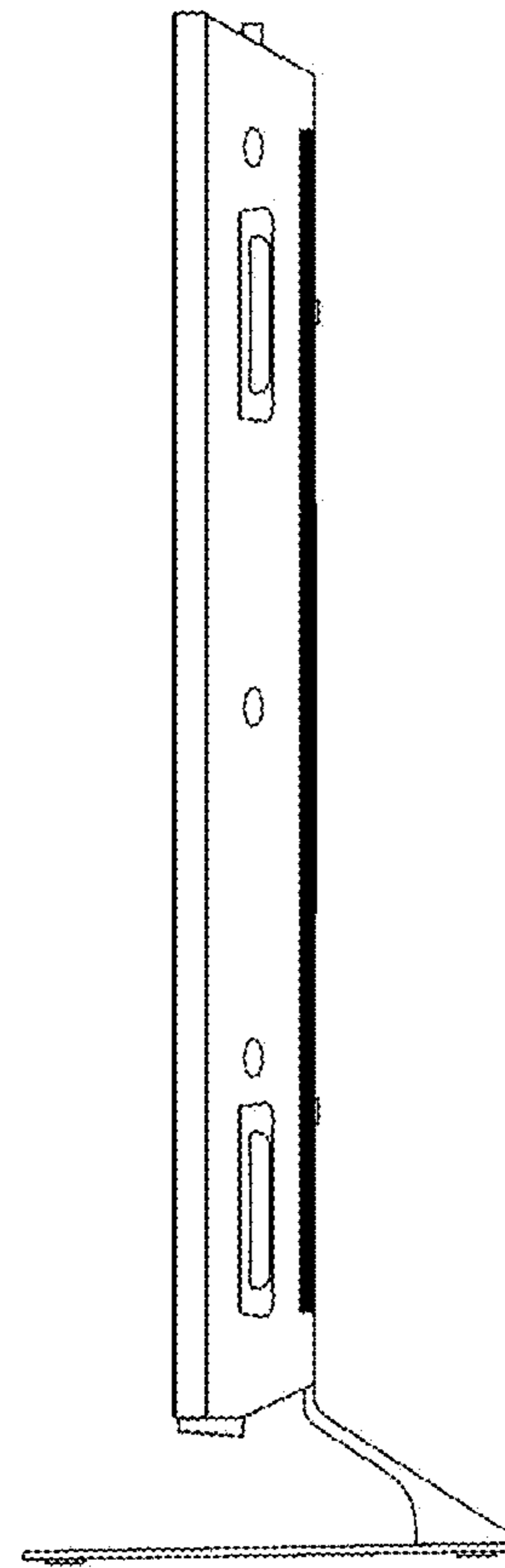
**1.1**



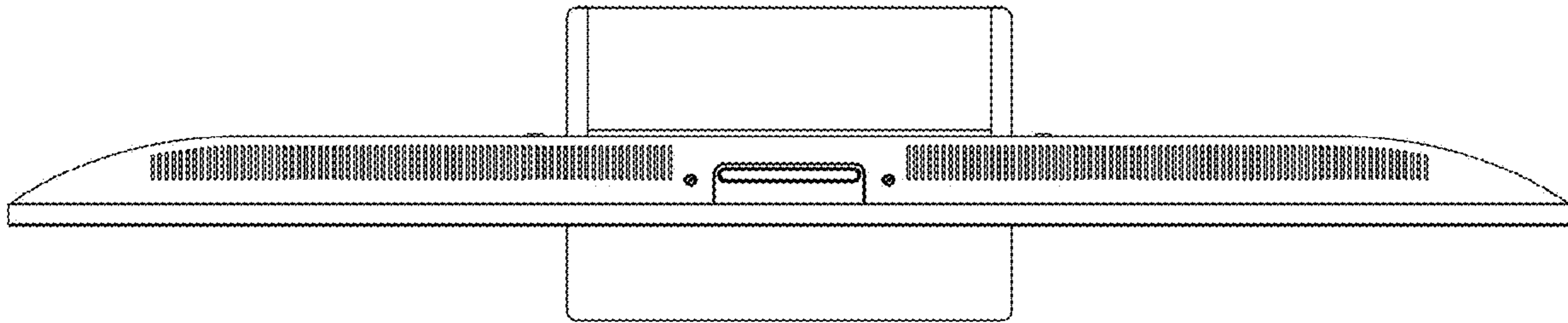
1.2



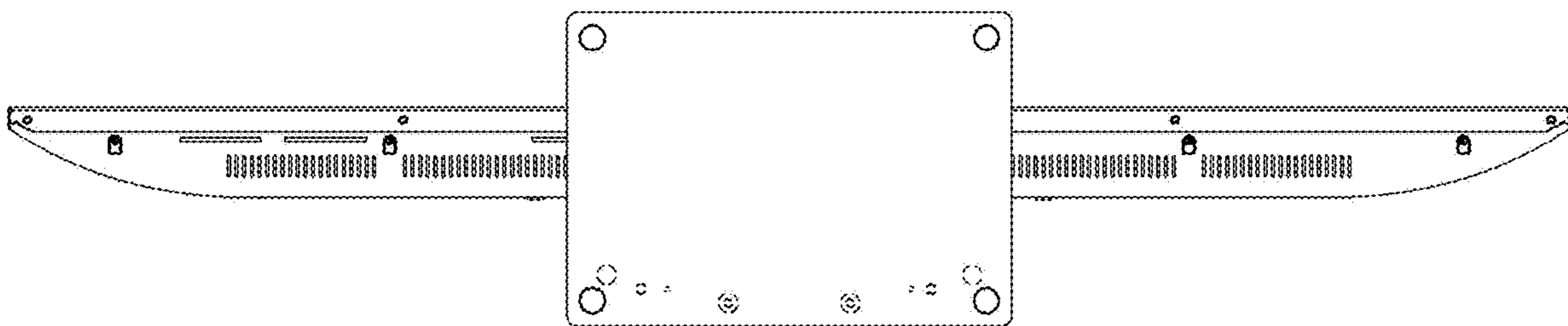
**1.3**



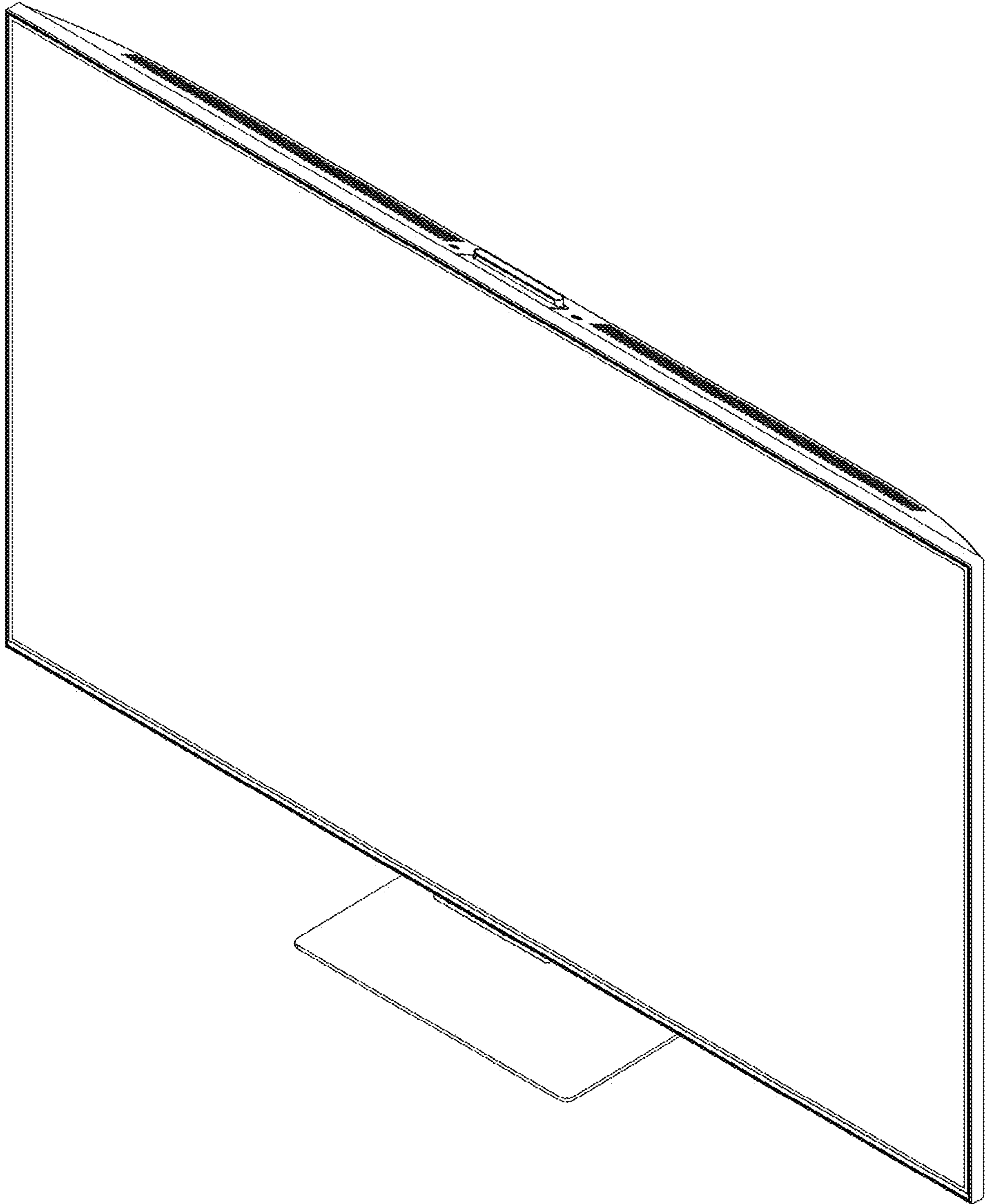
**1.4**



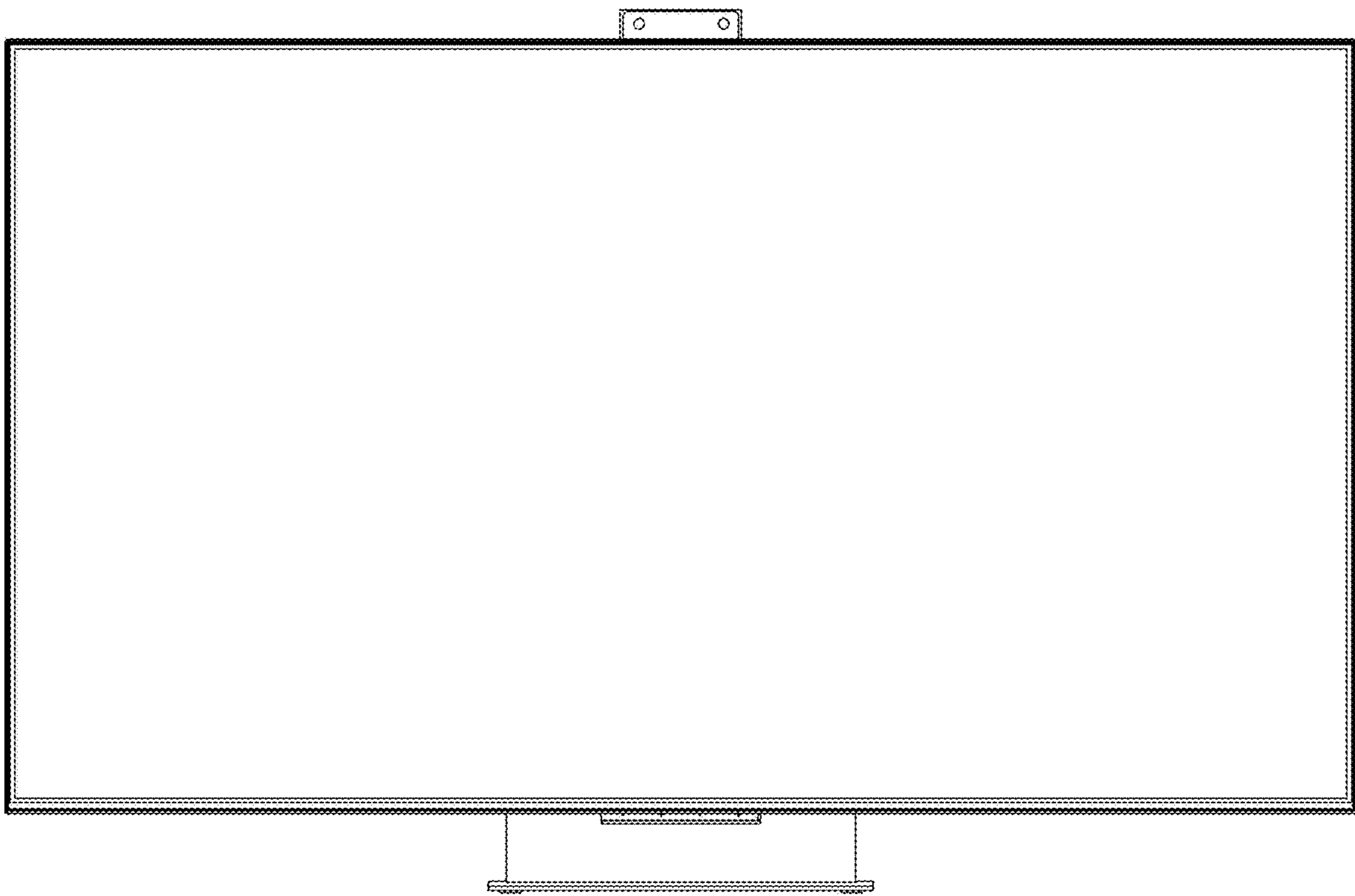
**1.5**



**1.6**

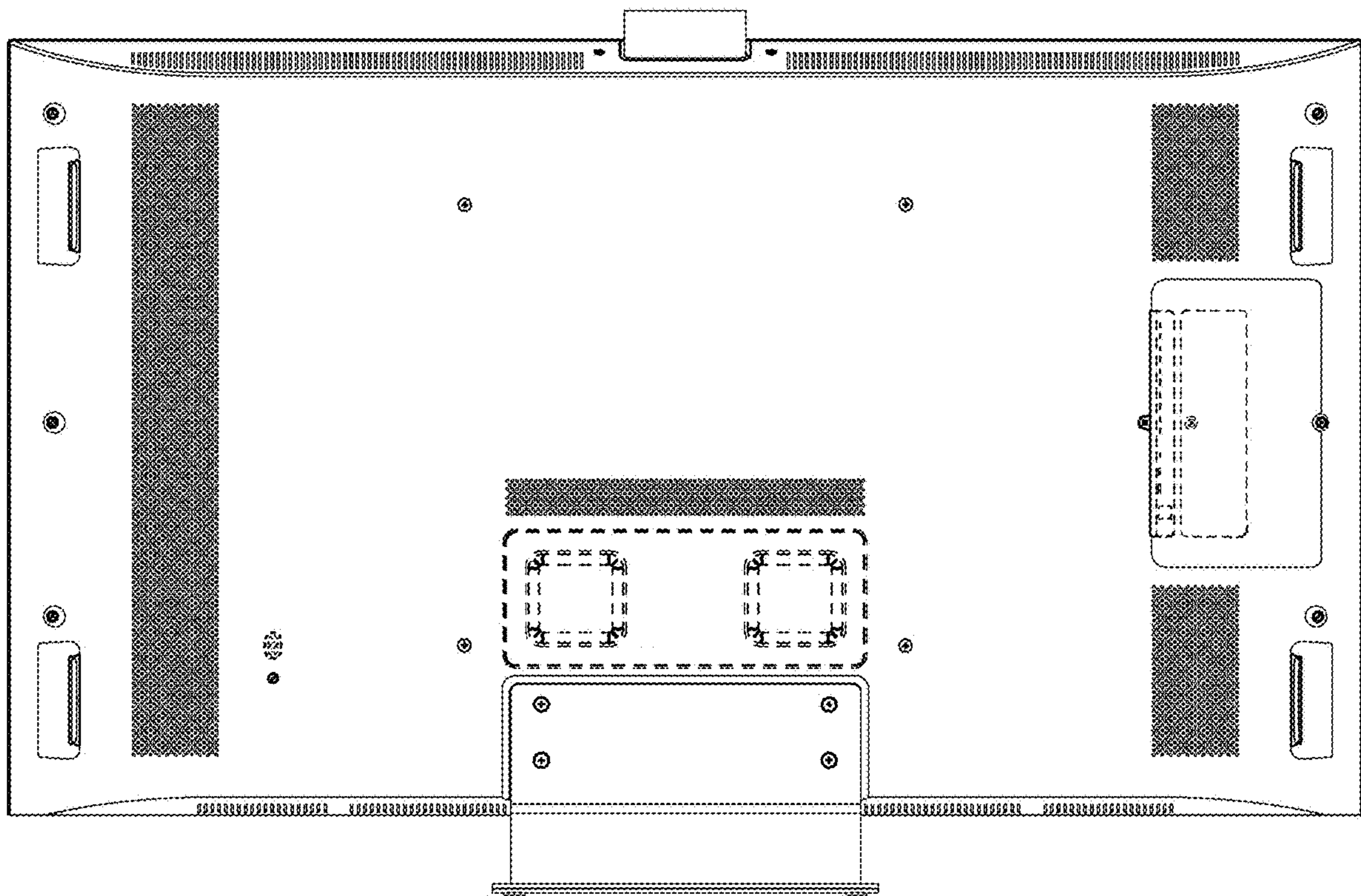


1.7

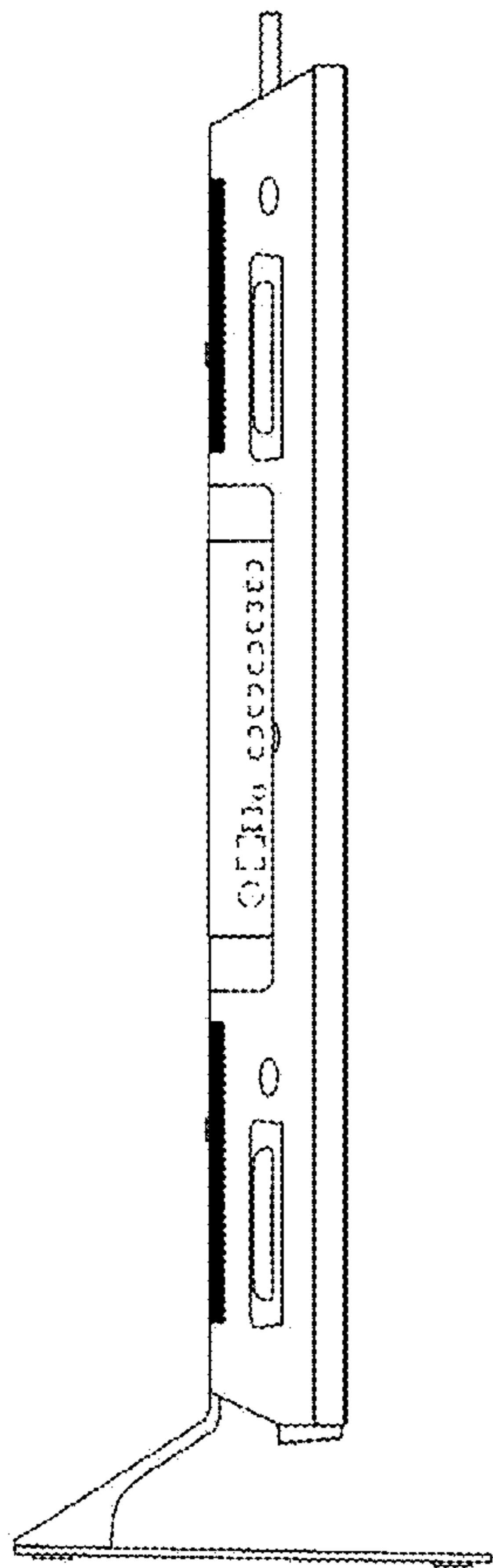


2.1

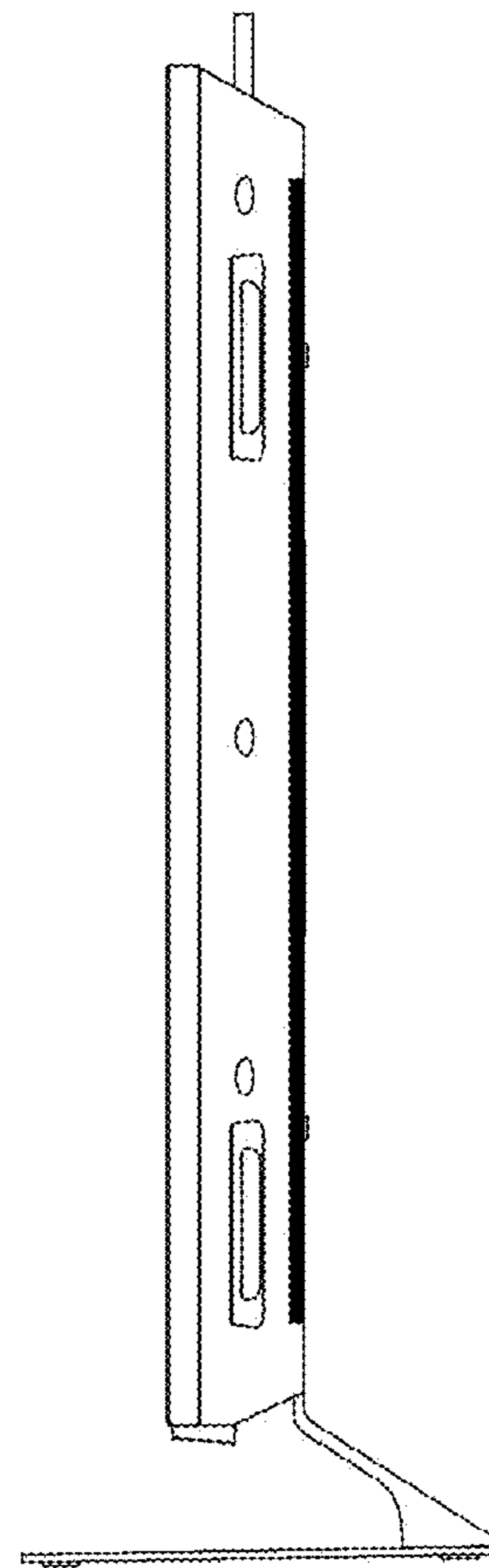




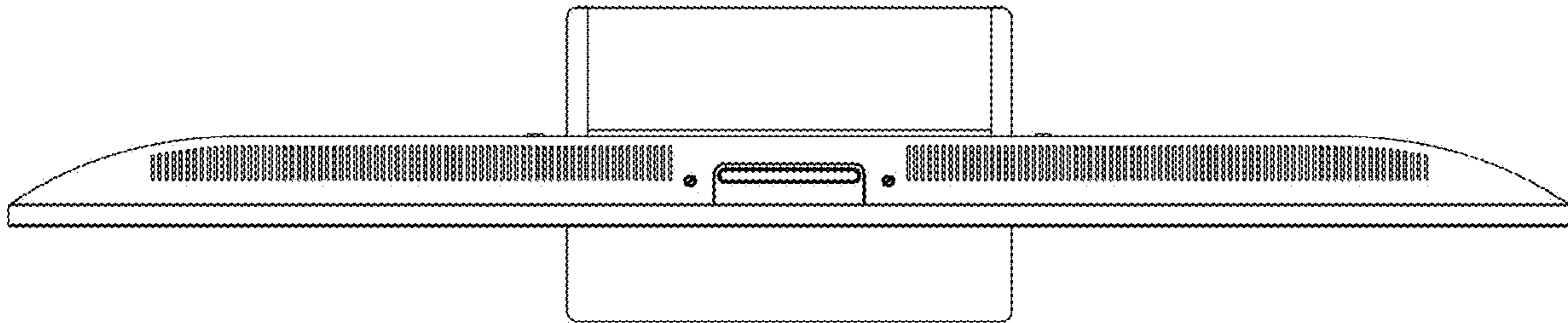
2.2



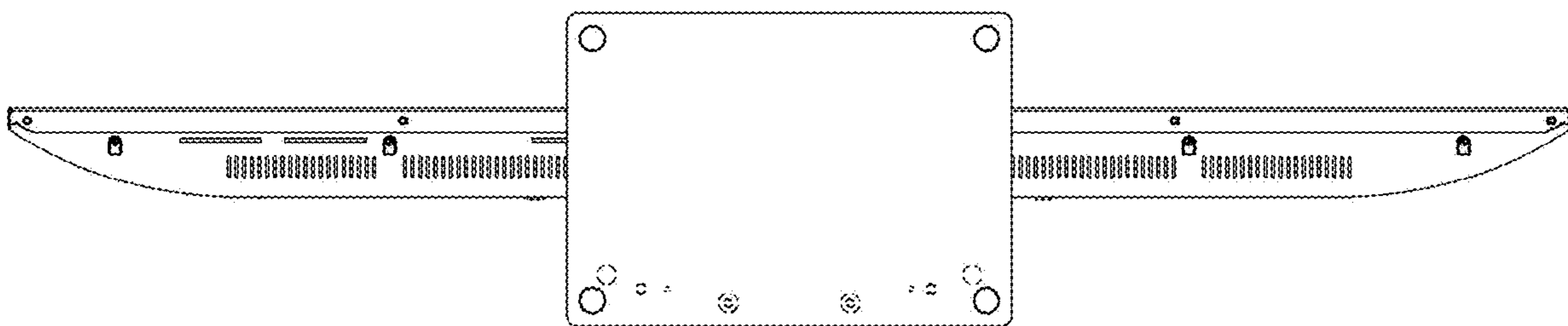
2.3



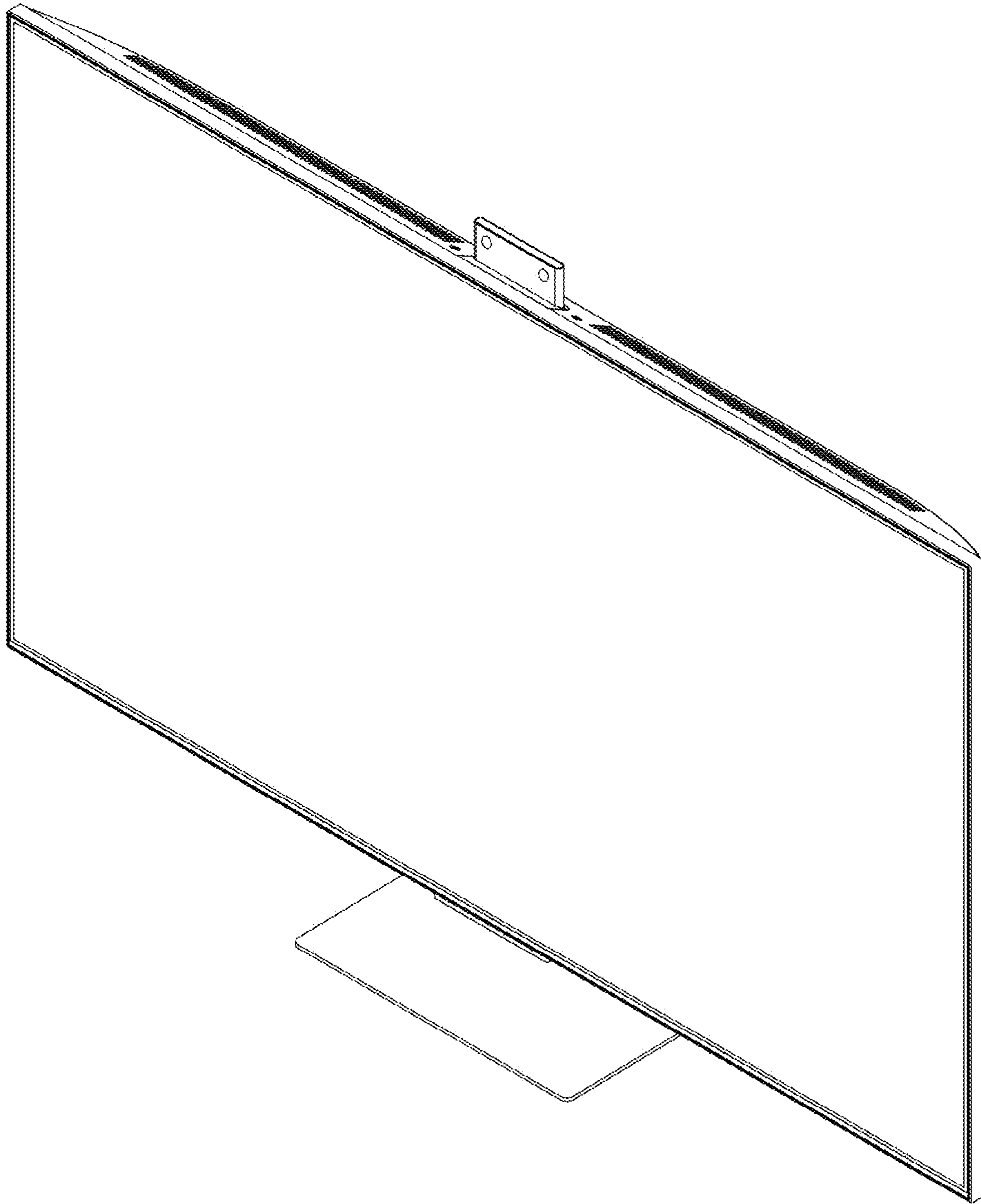
2.4



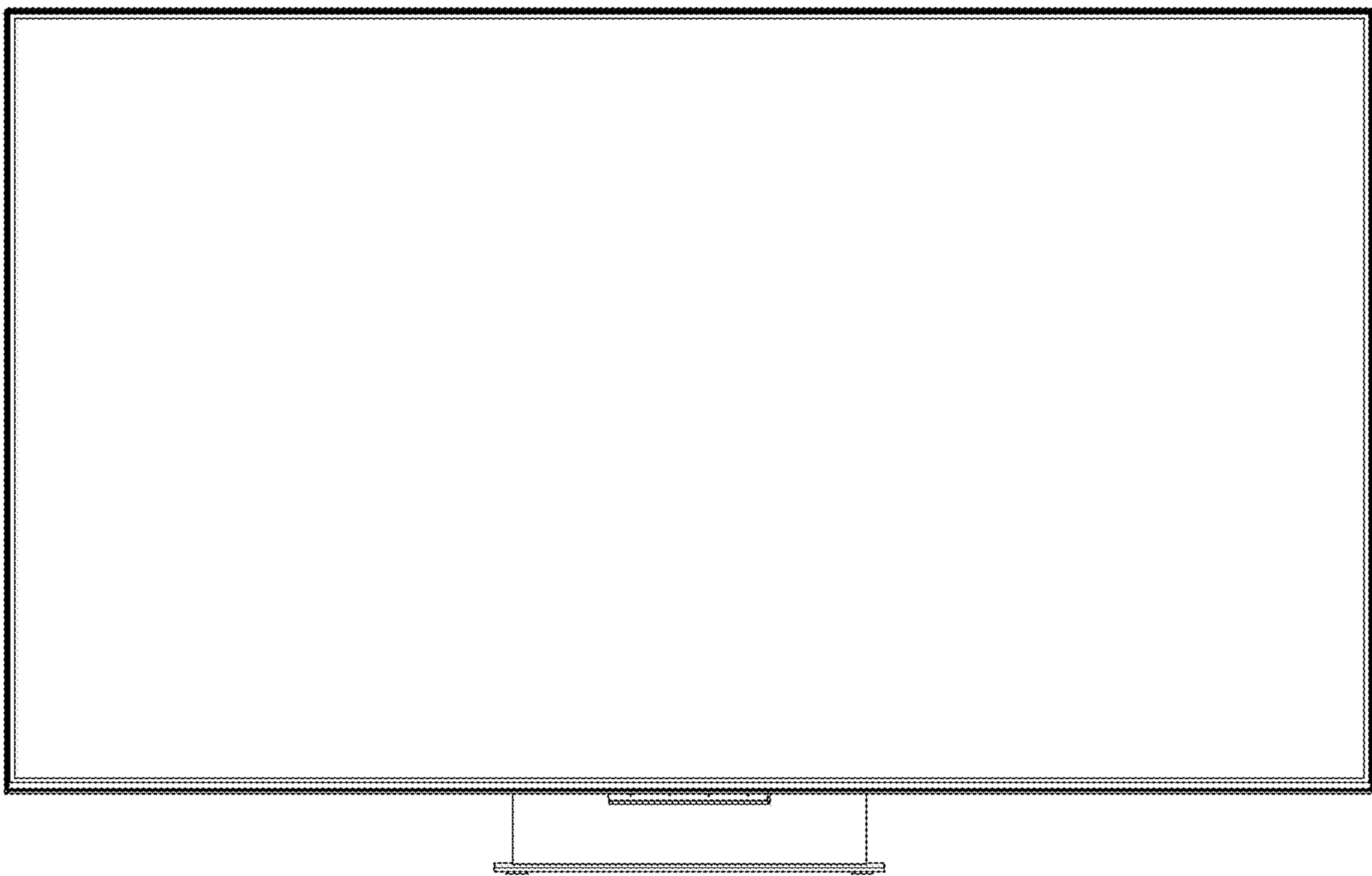
2.5



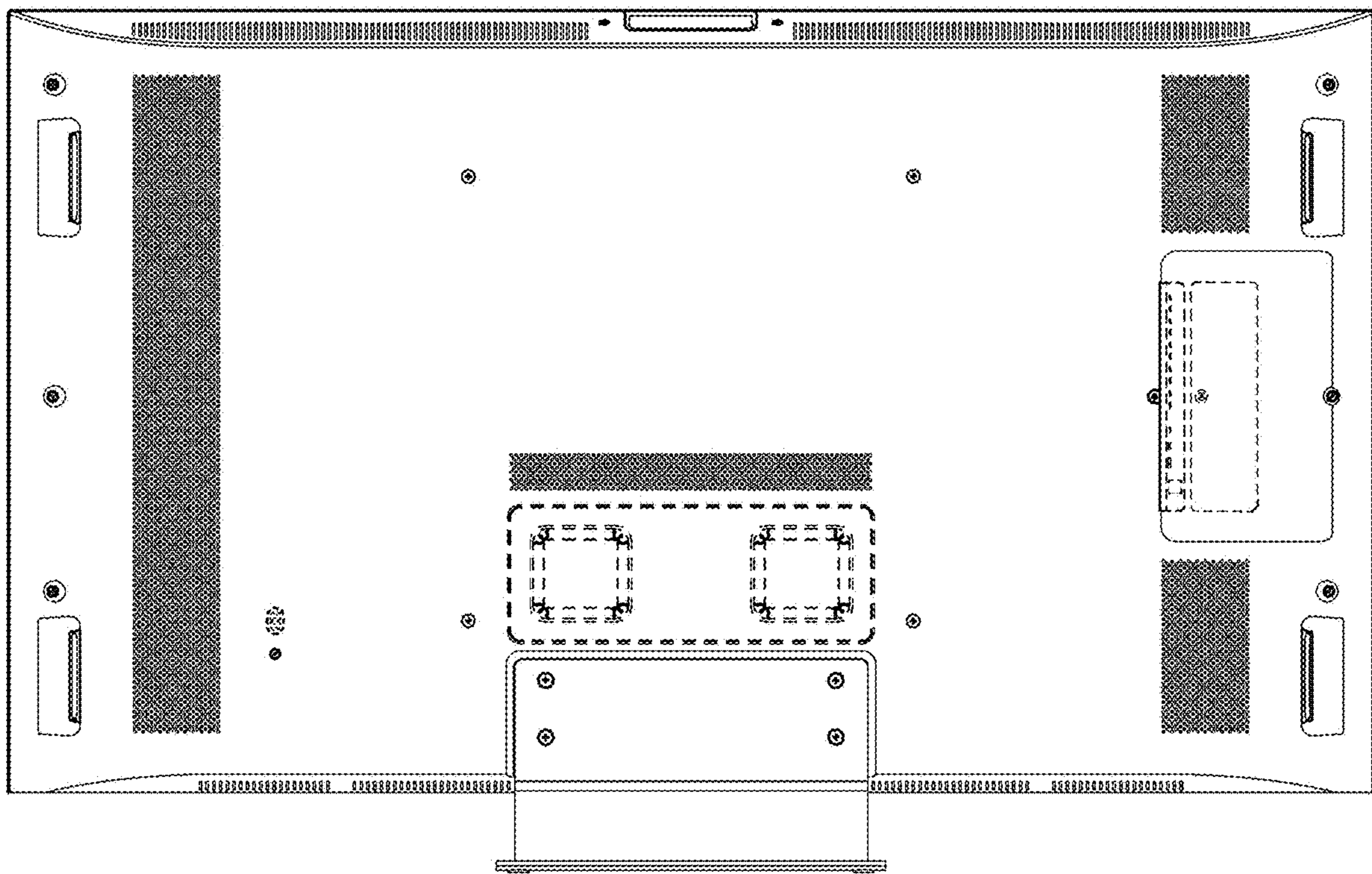
2.6



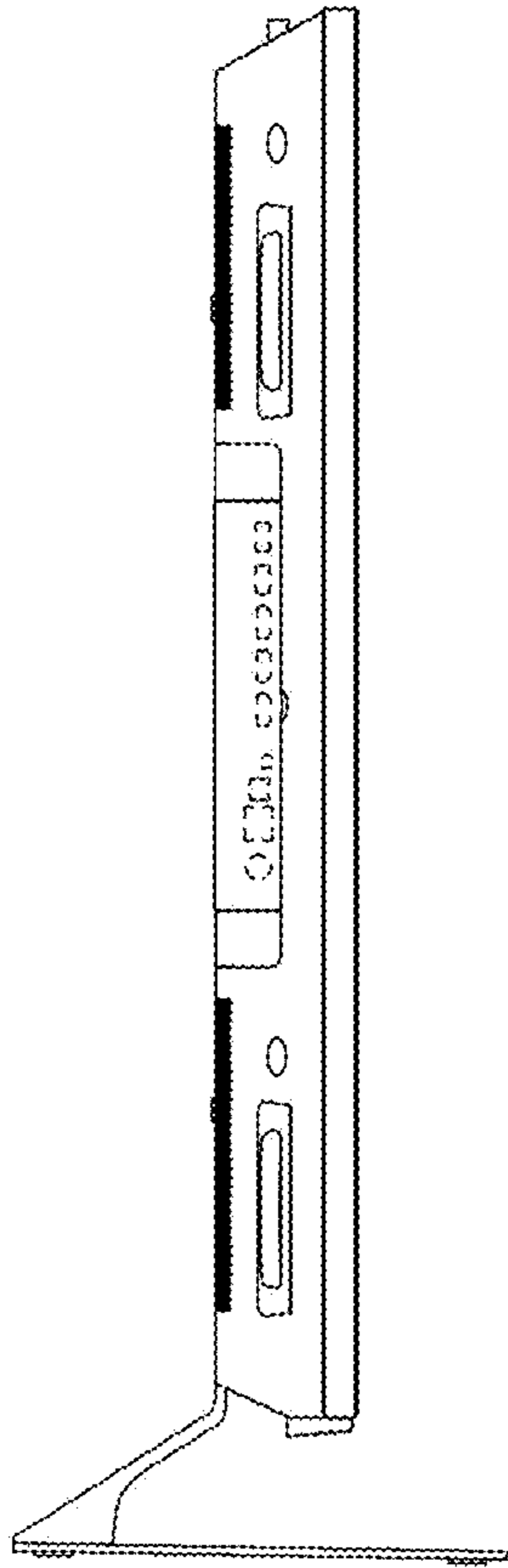
2.7



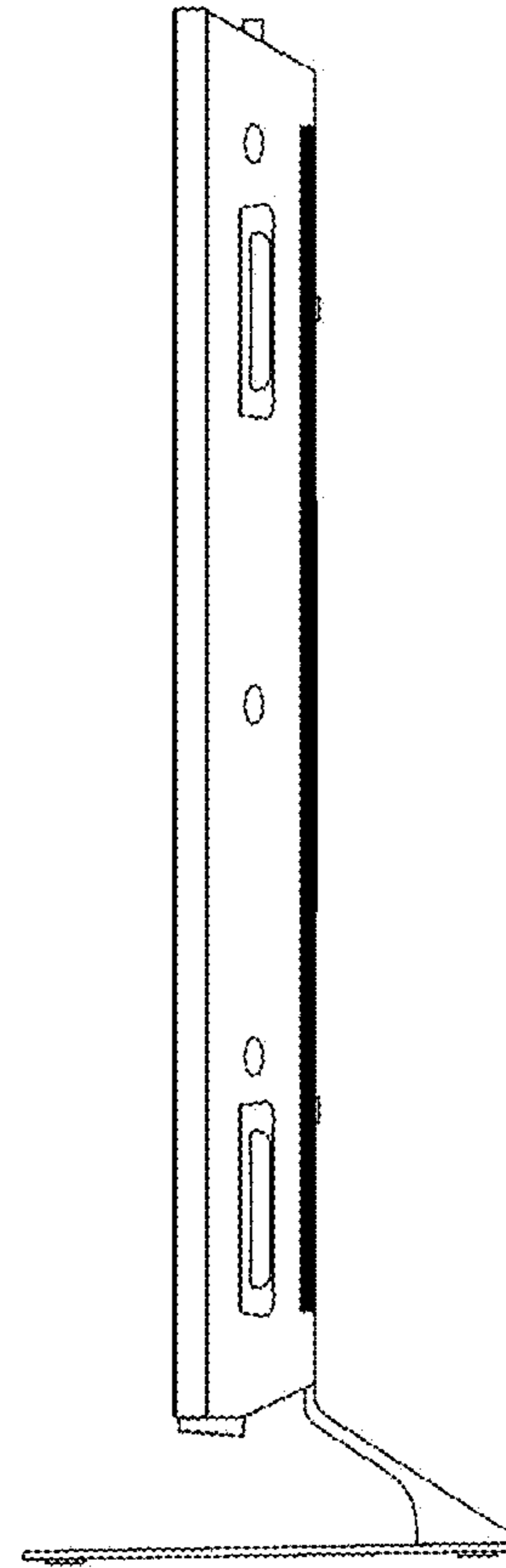
**3.1**



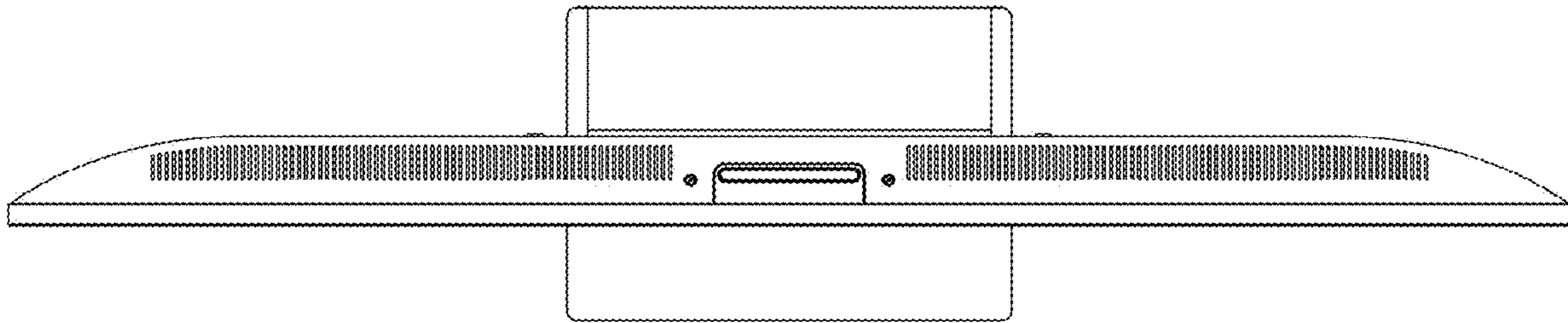
3.2



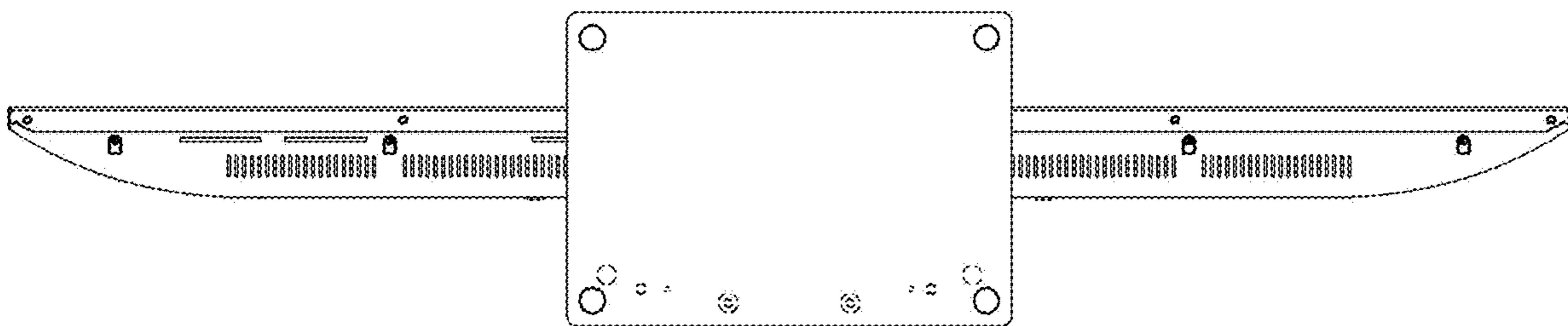
3.3



3.4

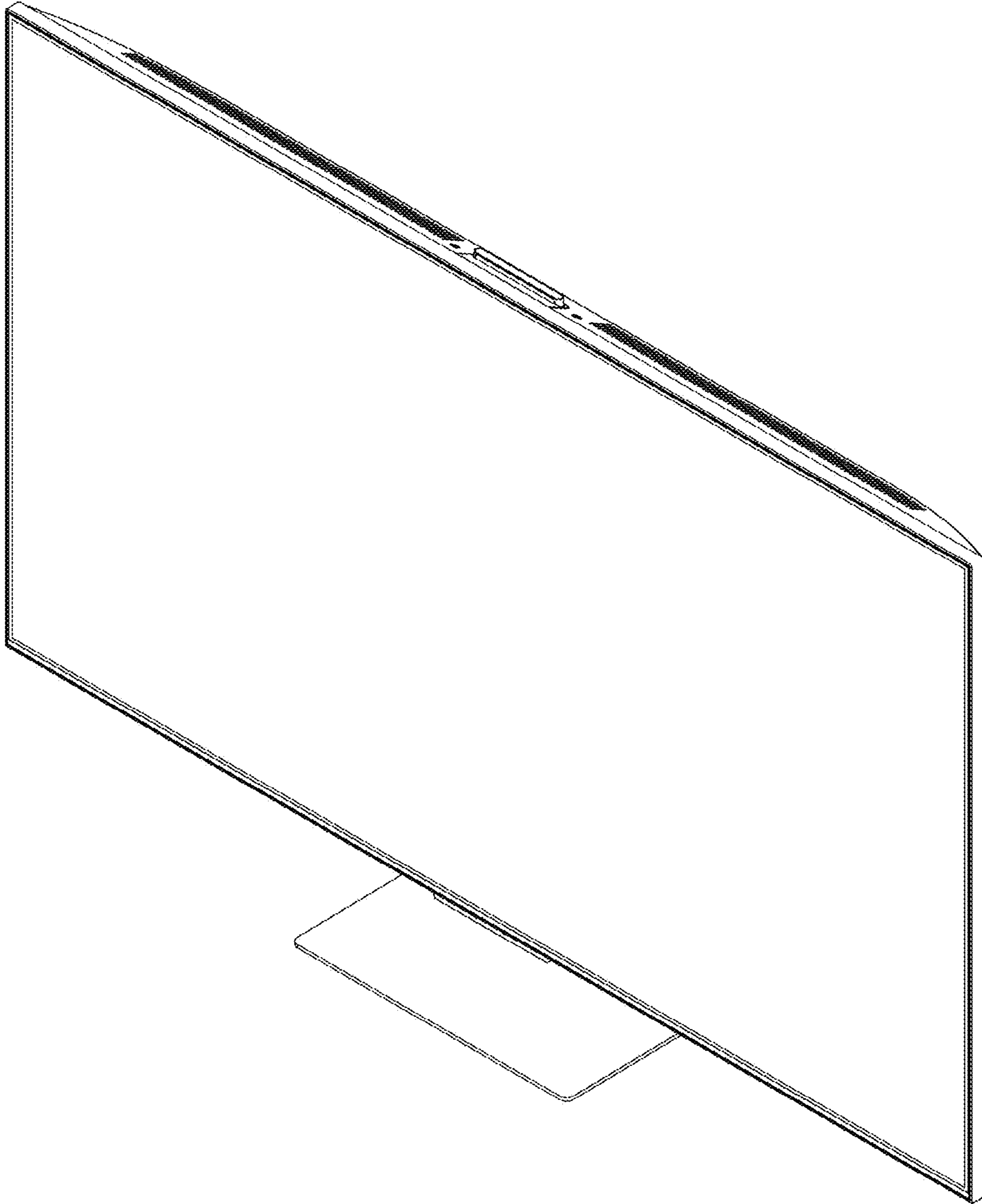


3.5

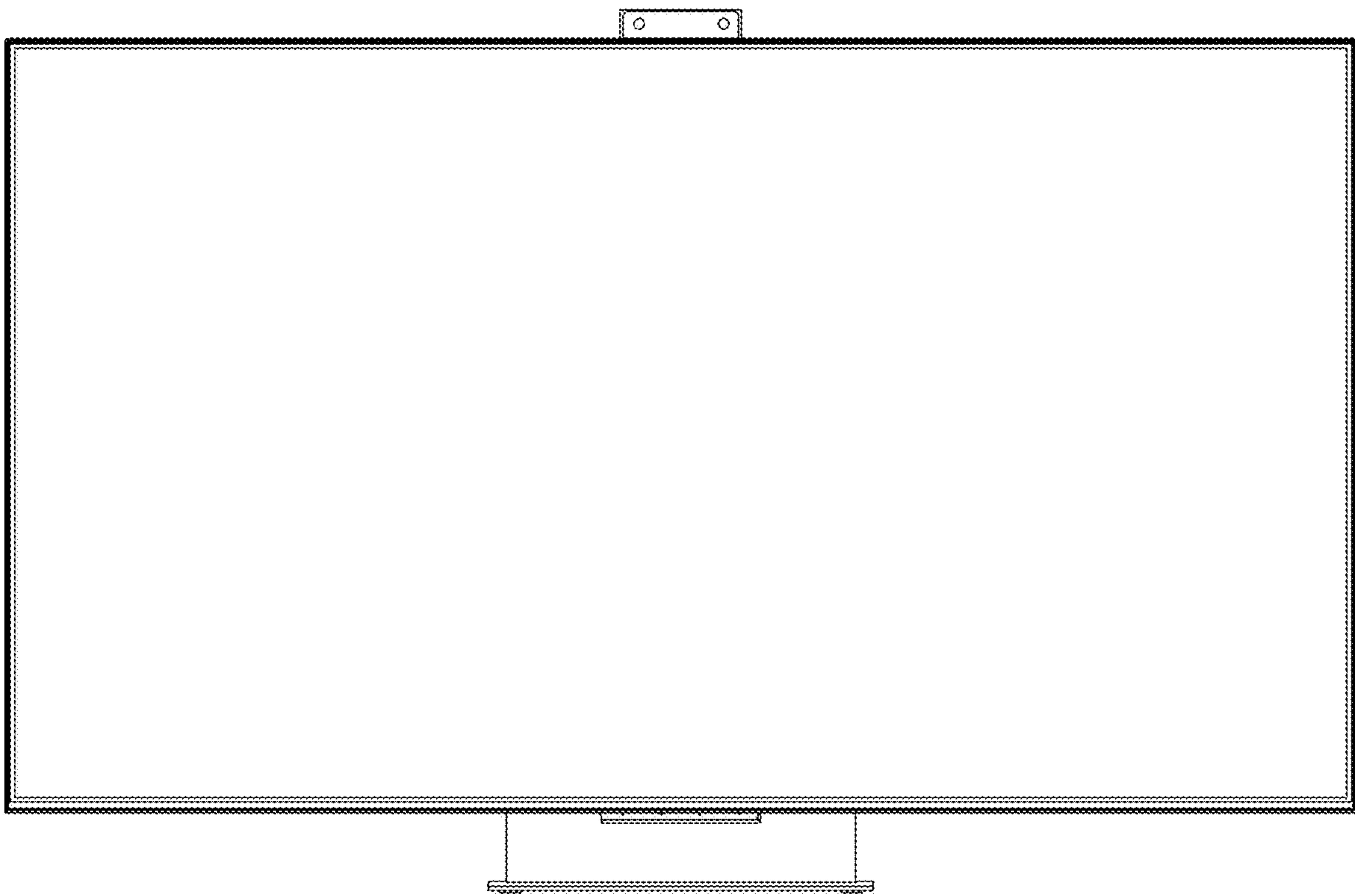


3.6

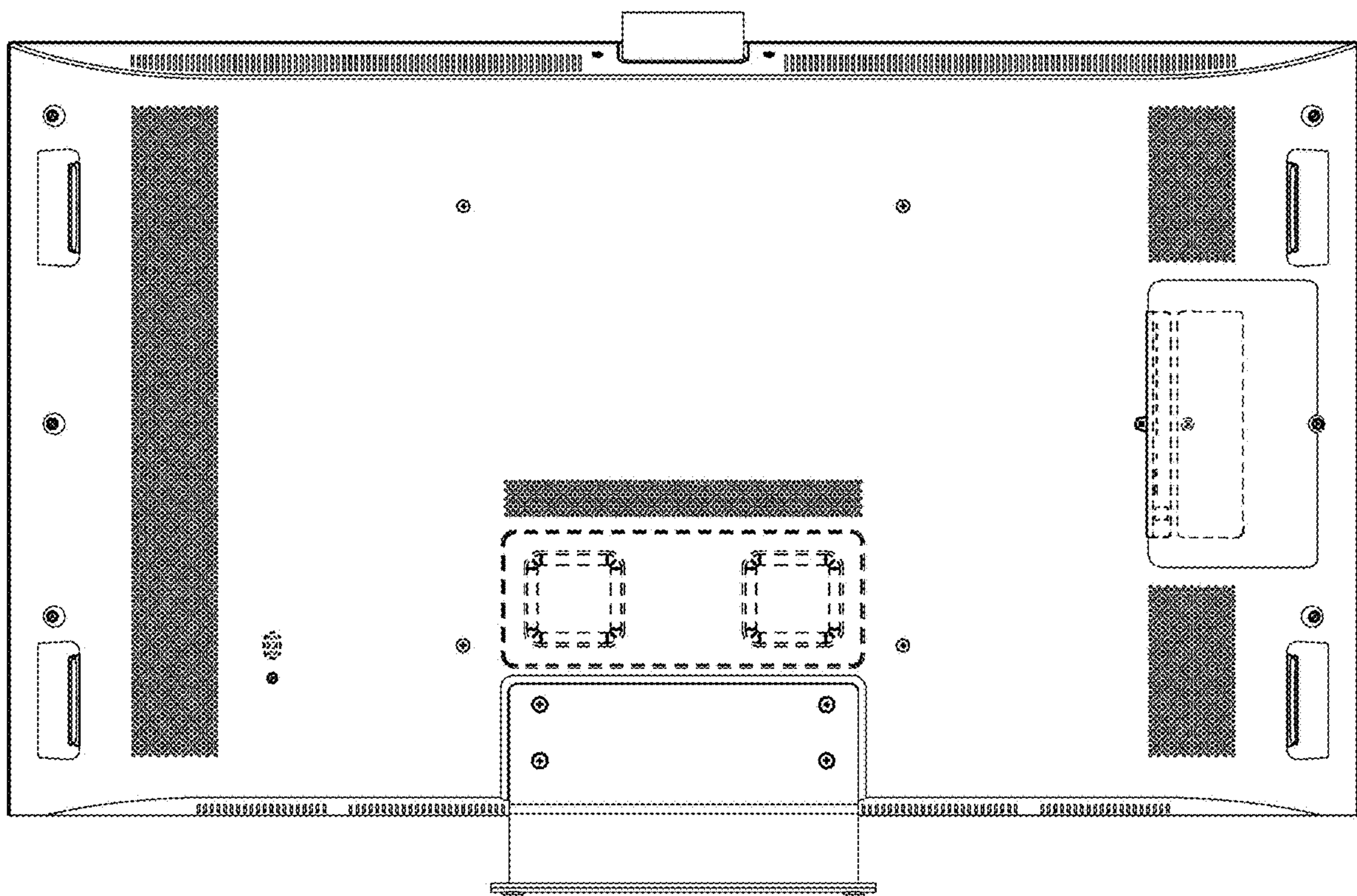




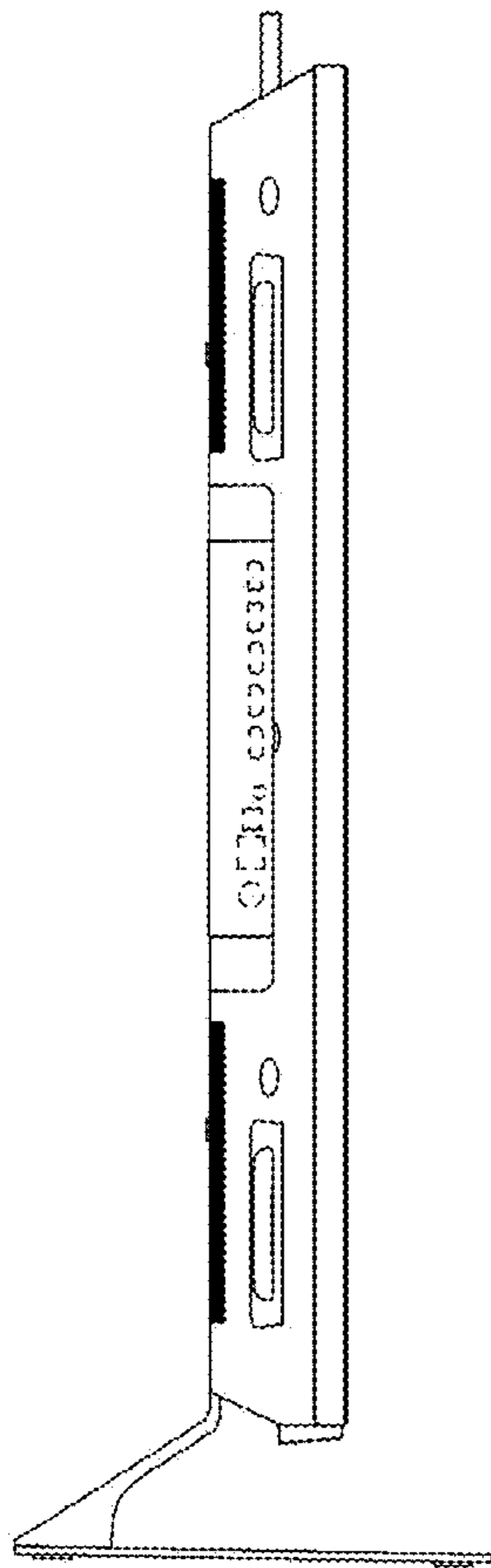
**3.7**



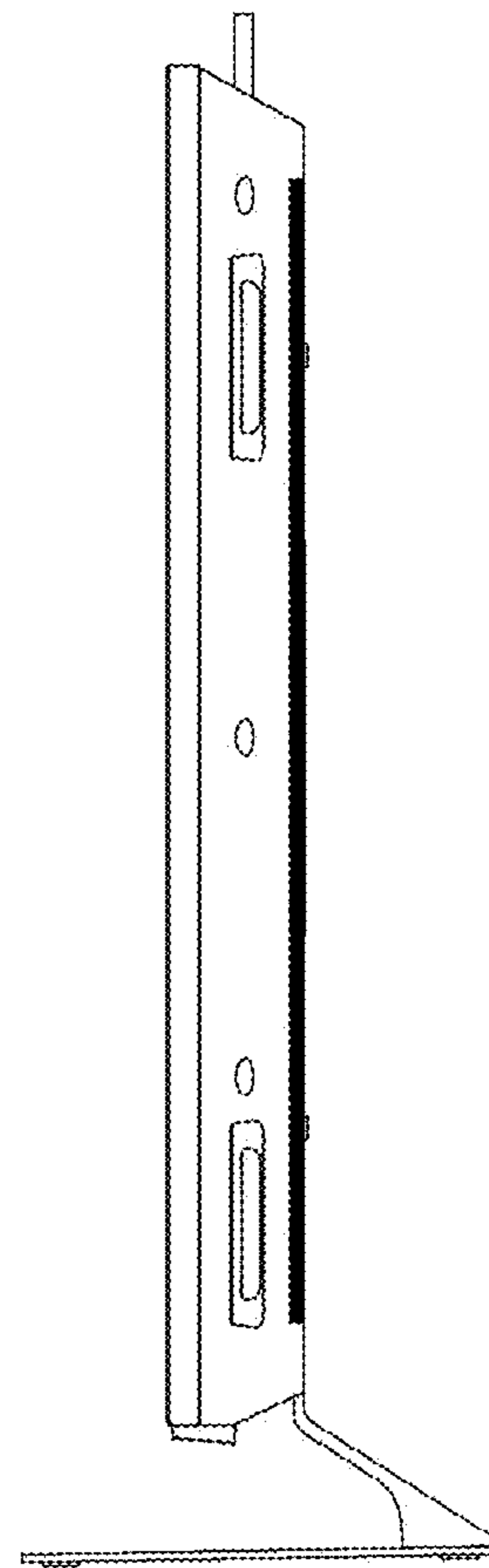
3.8



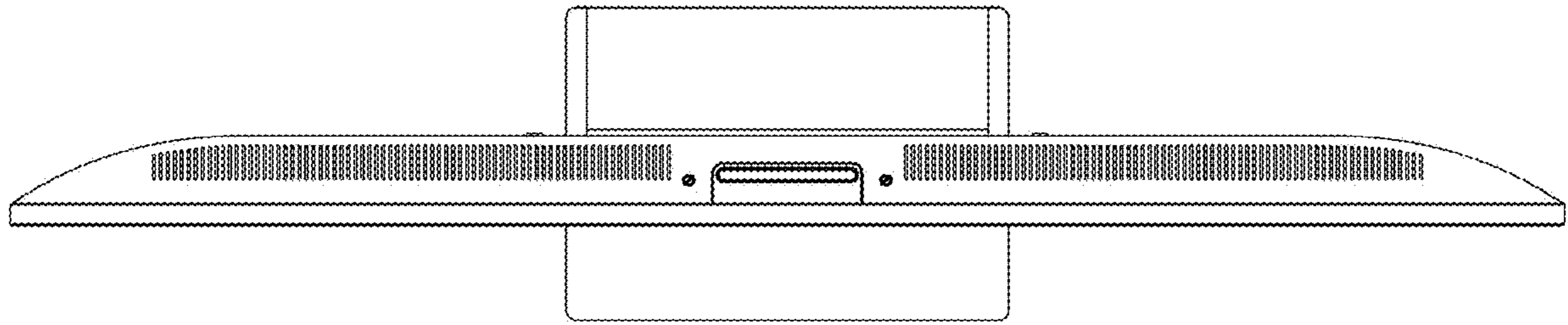
3.9



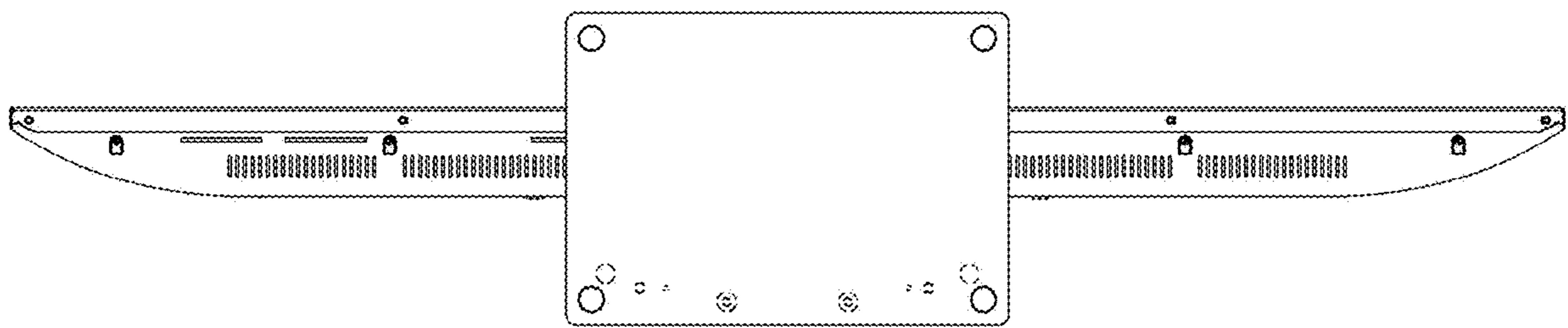
**3.10**



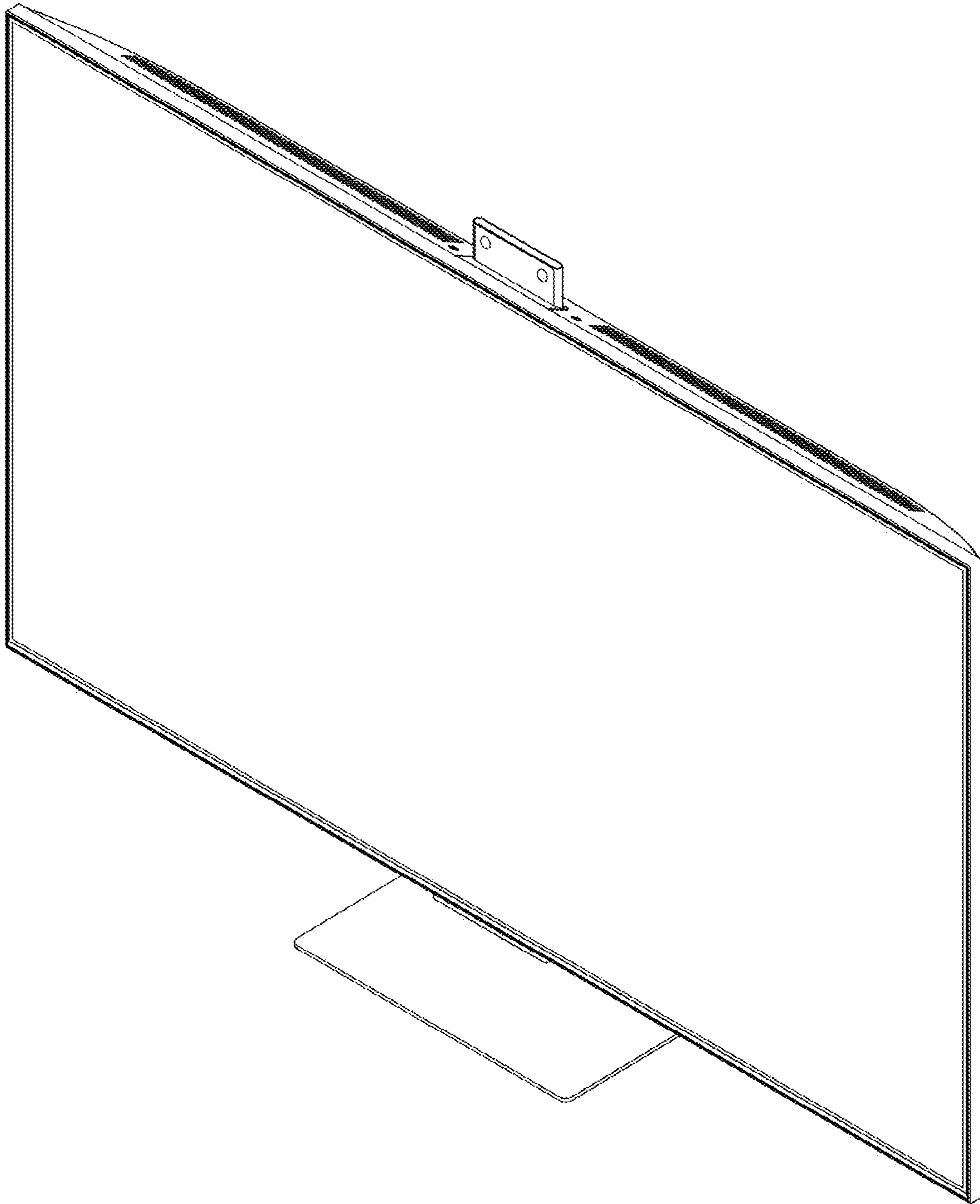
**3.11**



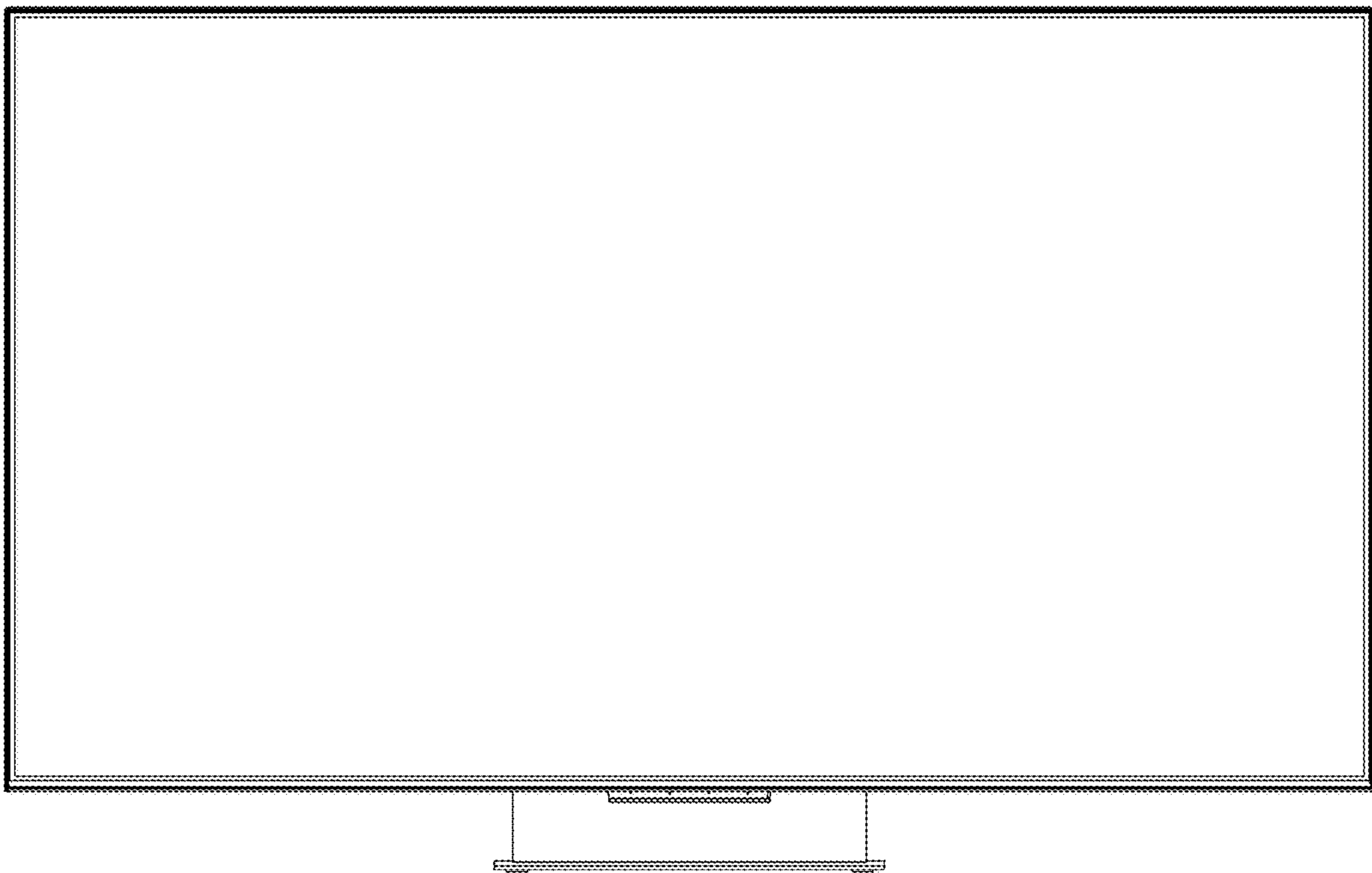
**3.12**



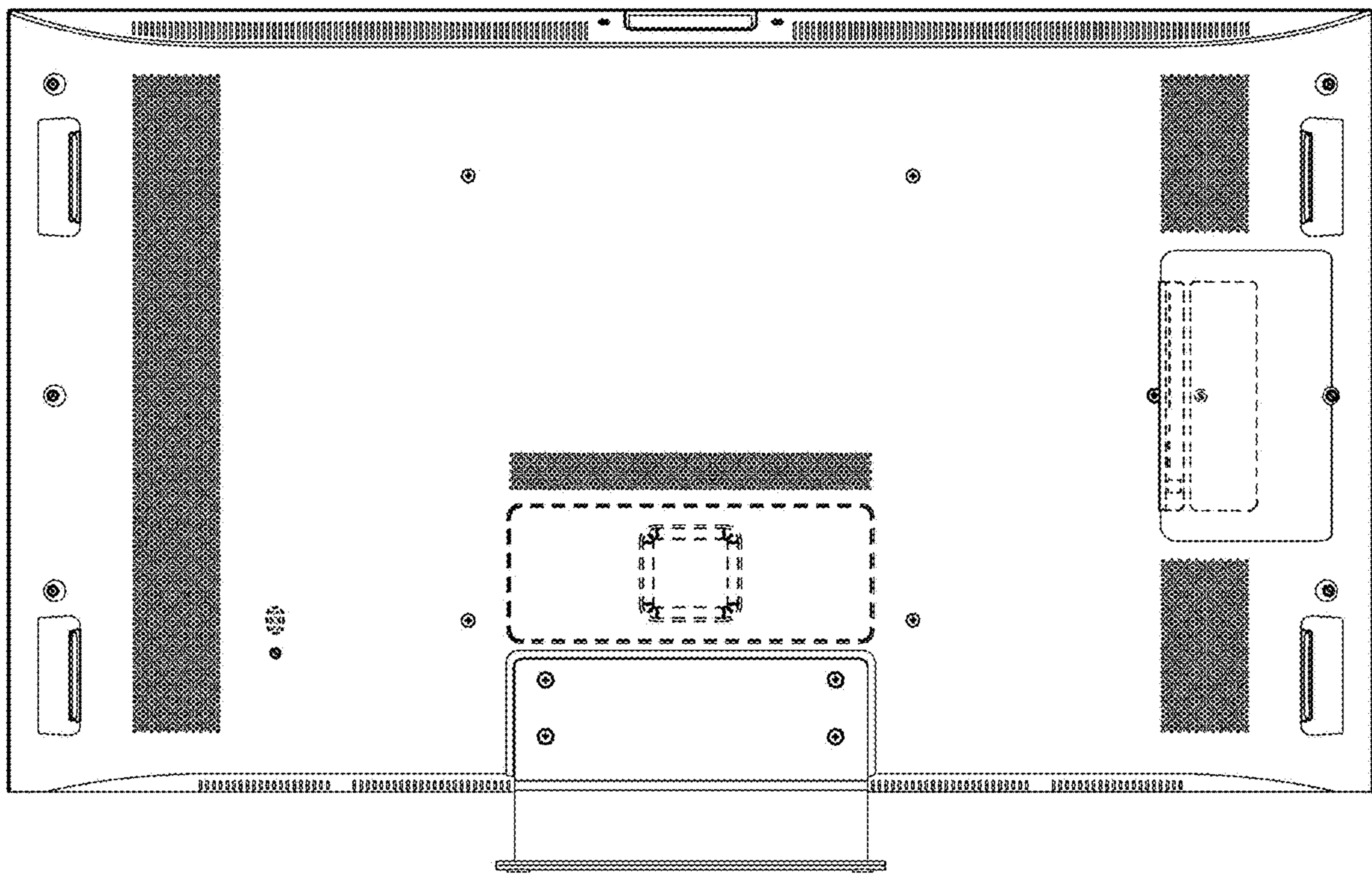
**3.13**



**3.14**

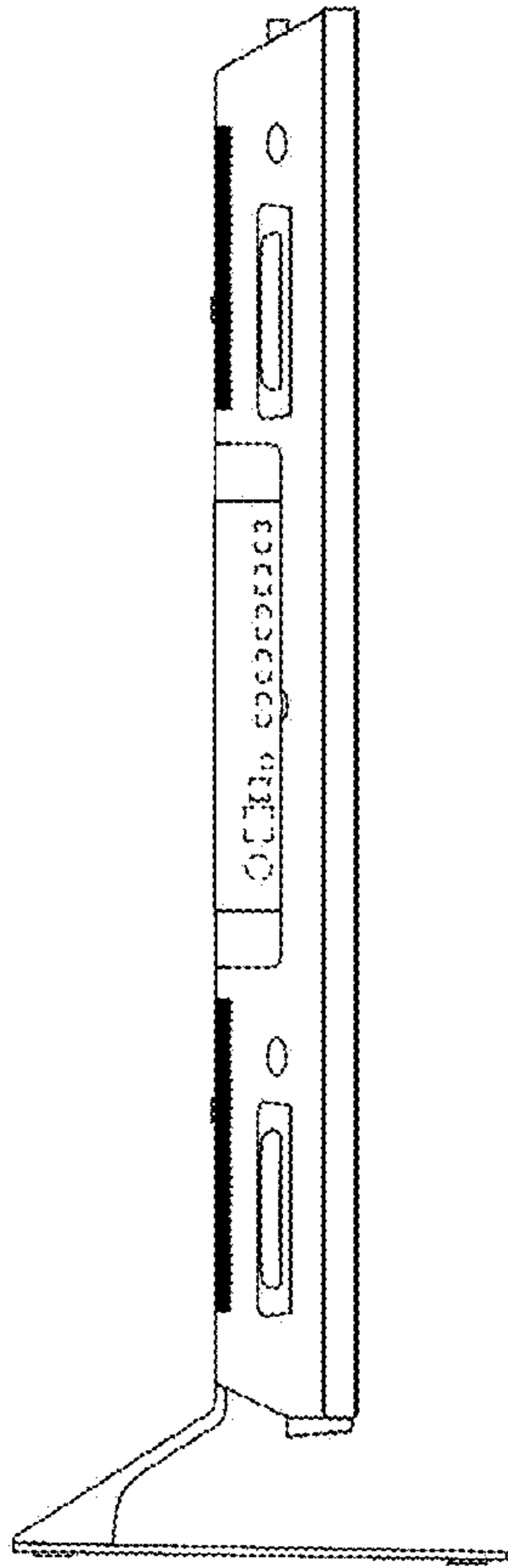


**4.1**

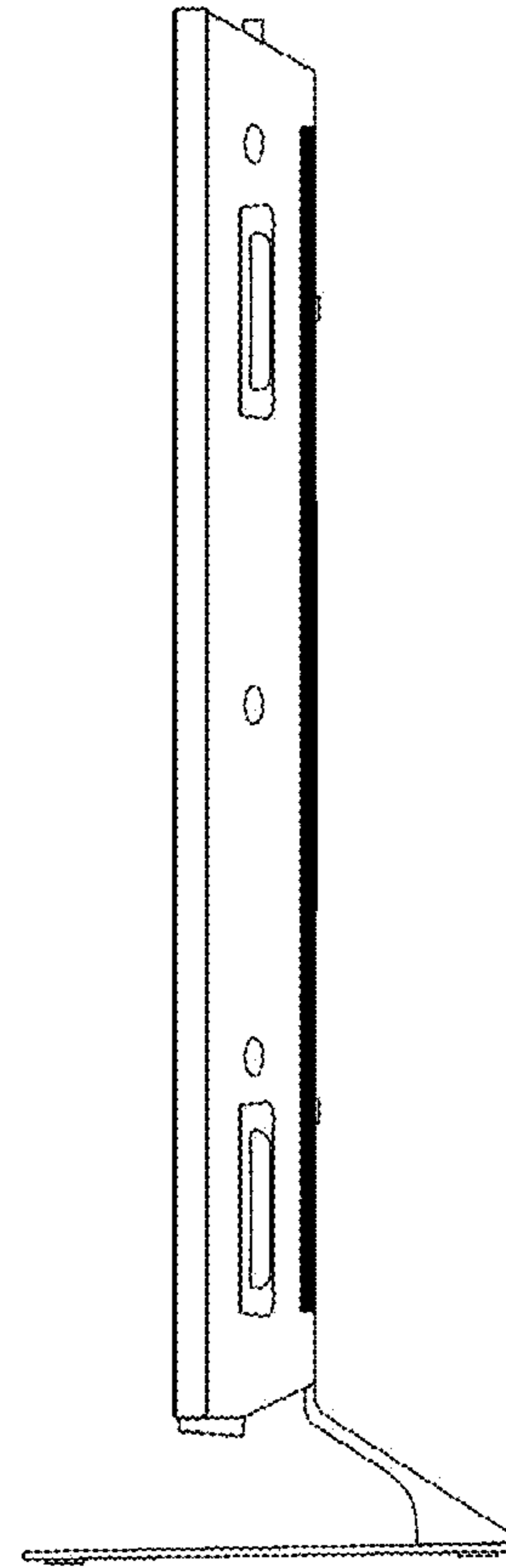


4.2

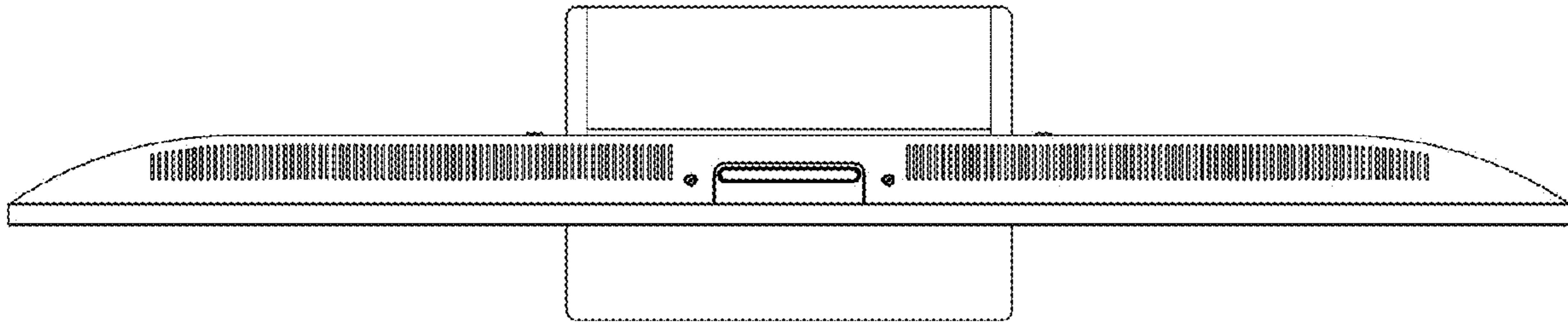




**4.3**



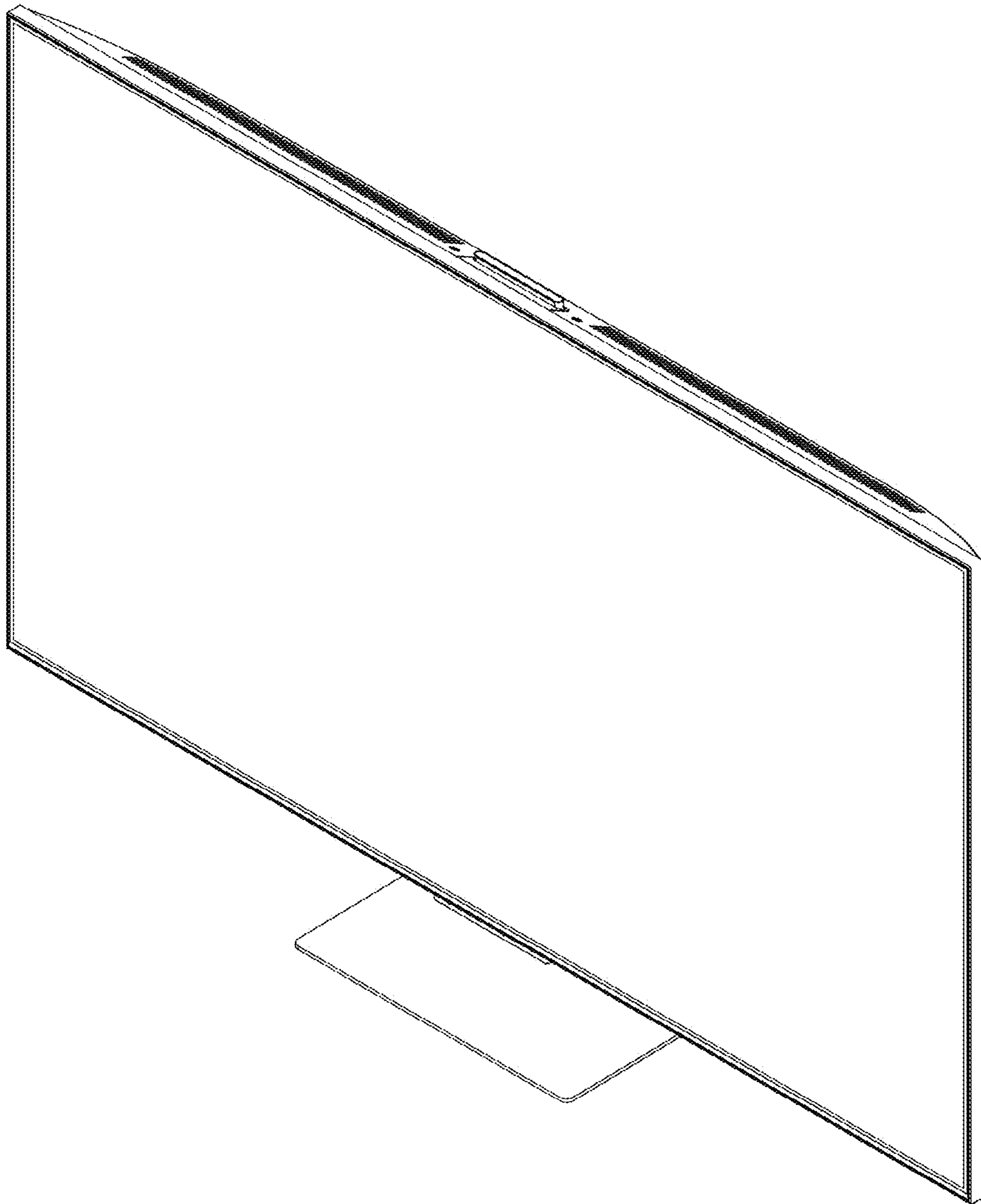
**4.4**



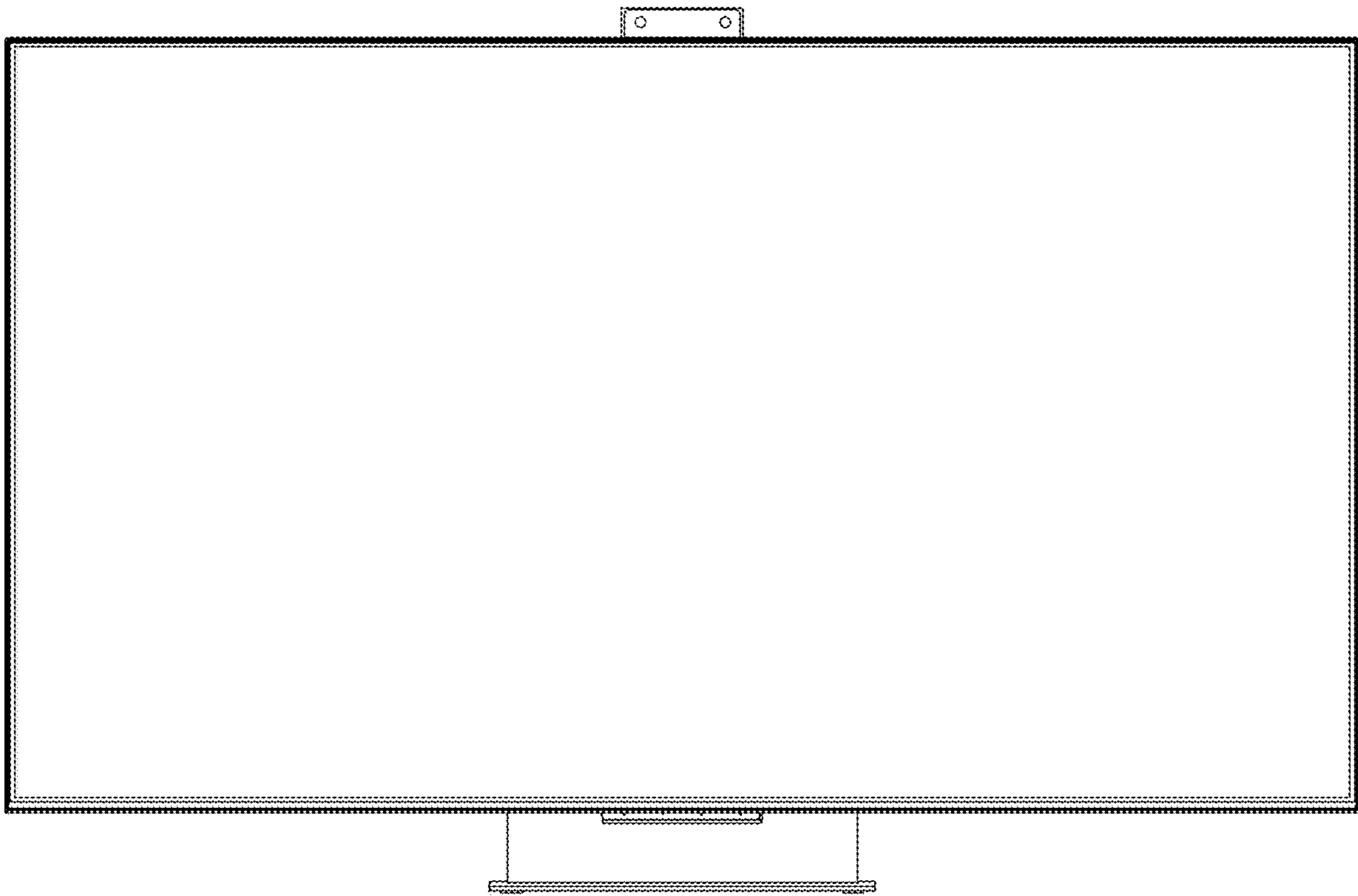
4.5



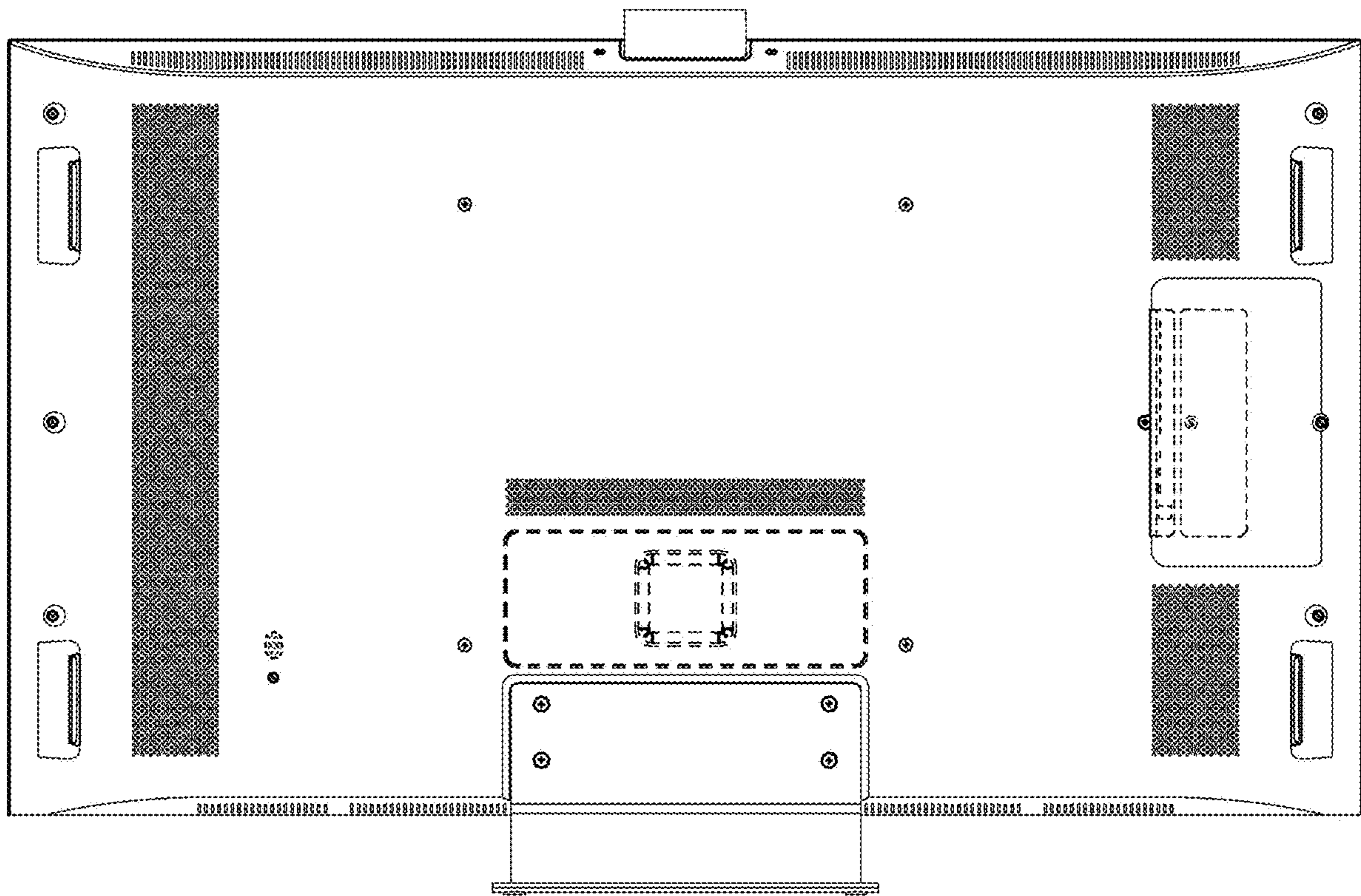
4.6



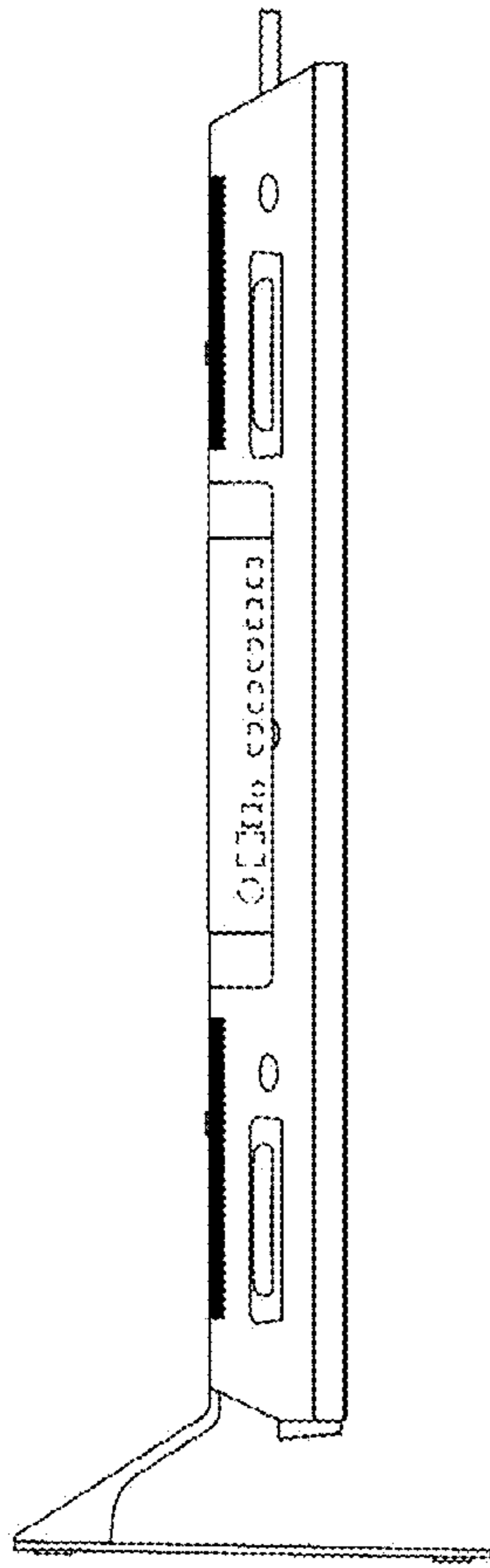
4.7



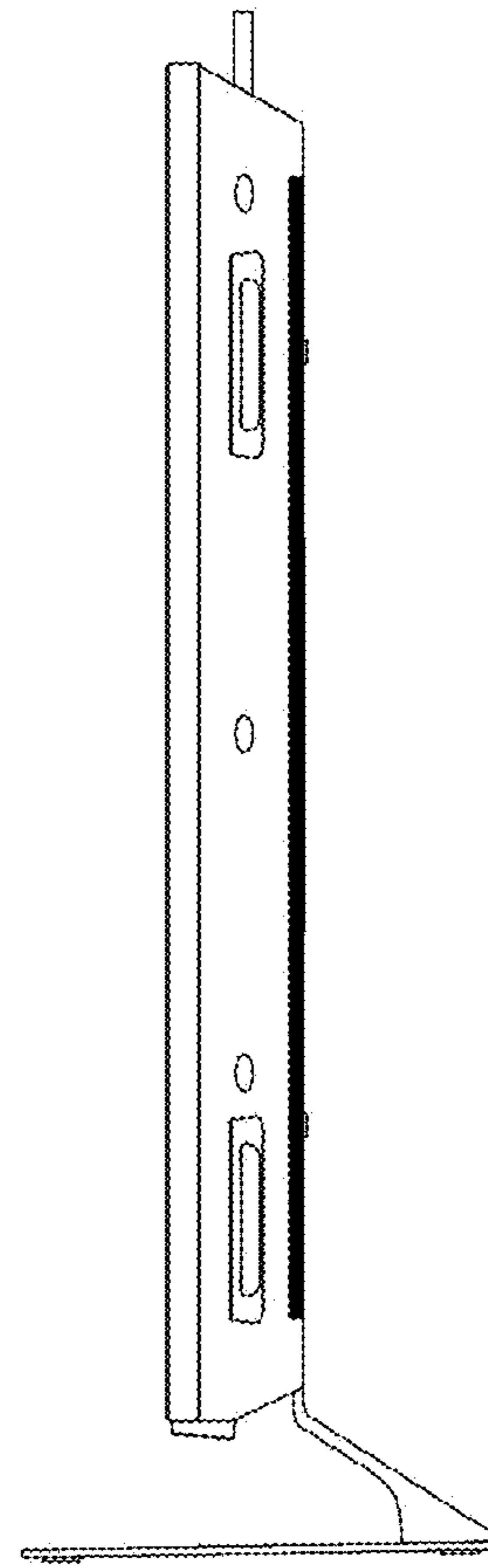
**5.1**



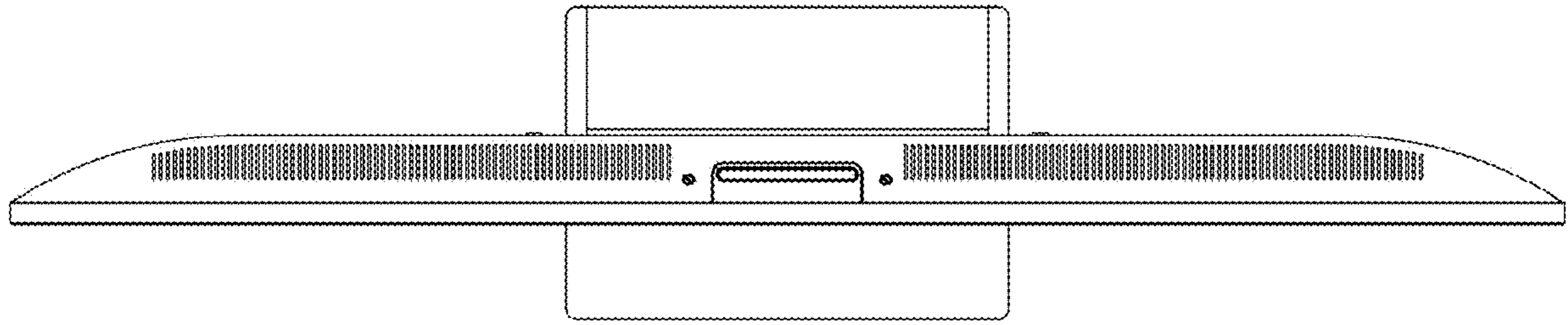
5.2



5.3



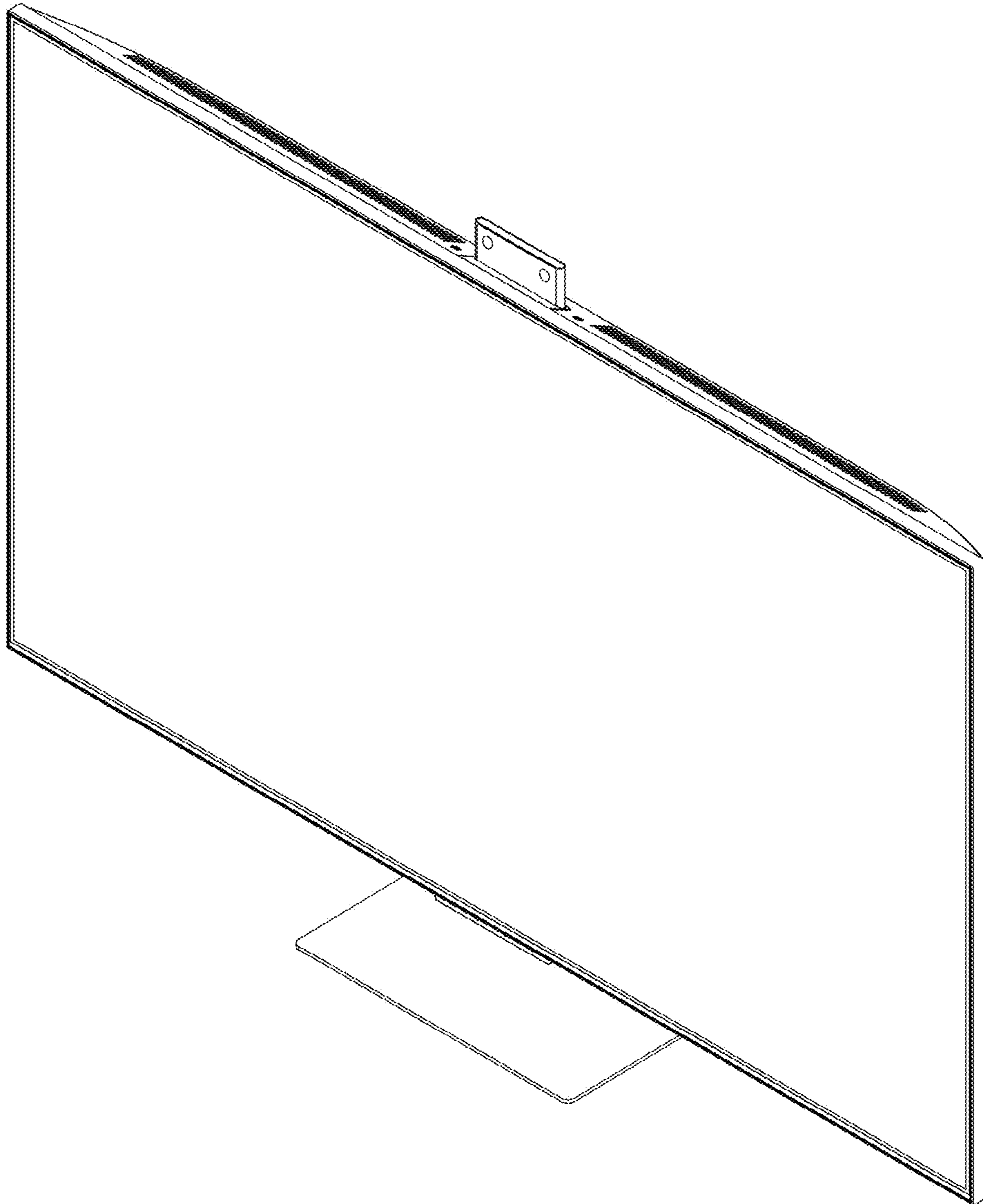
5.4



5.5

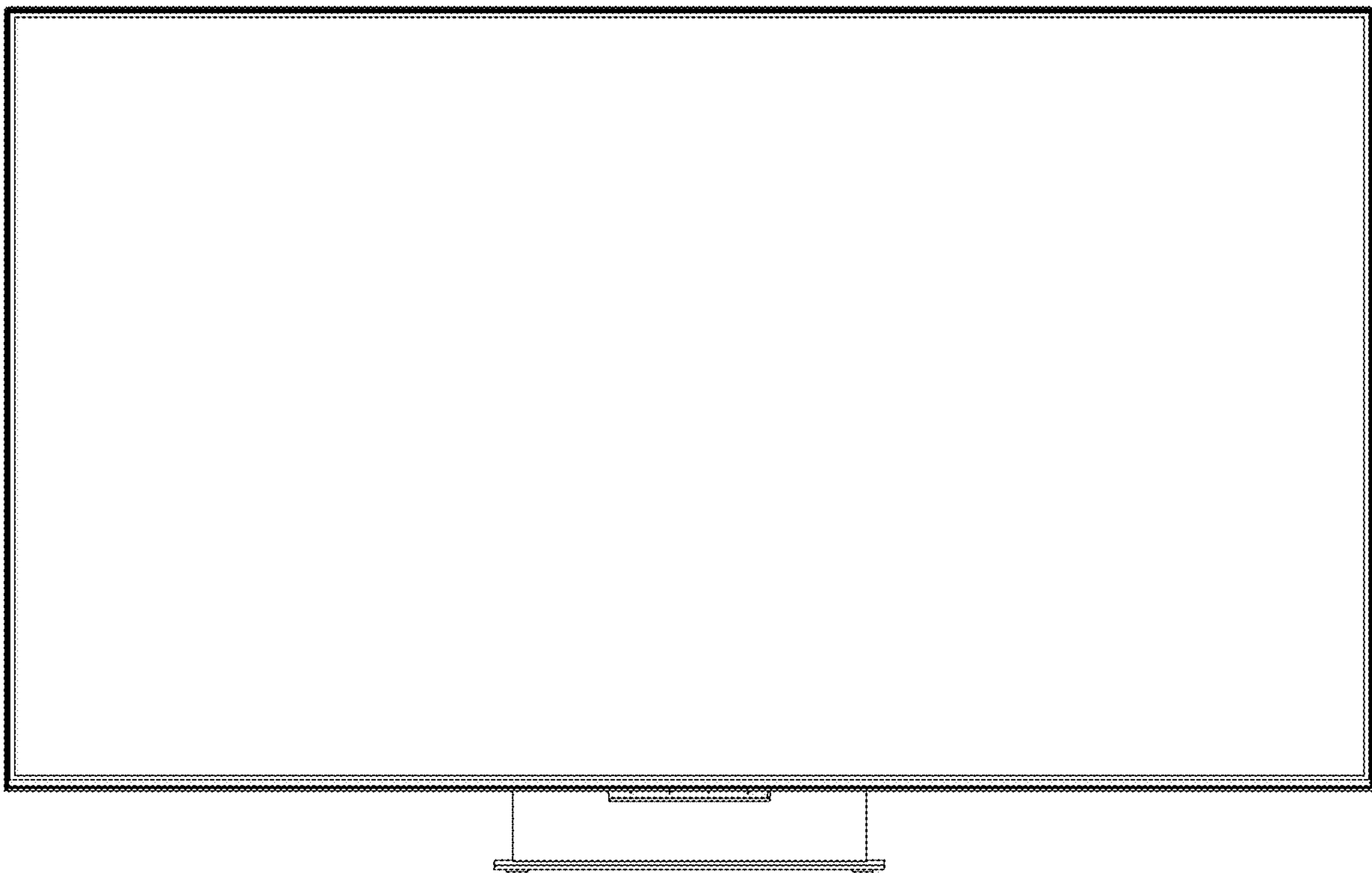


5.6

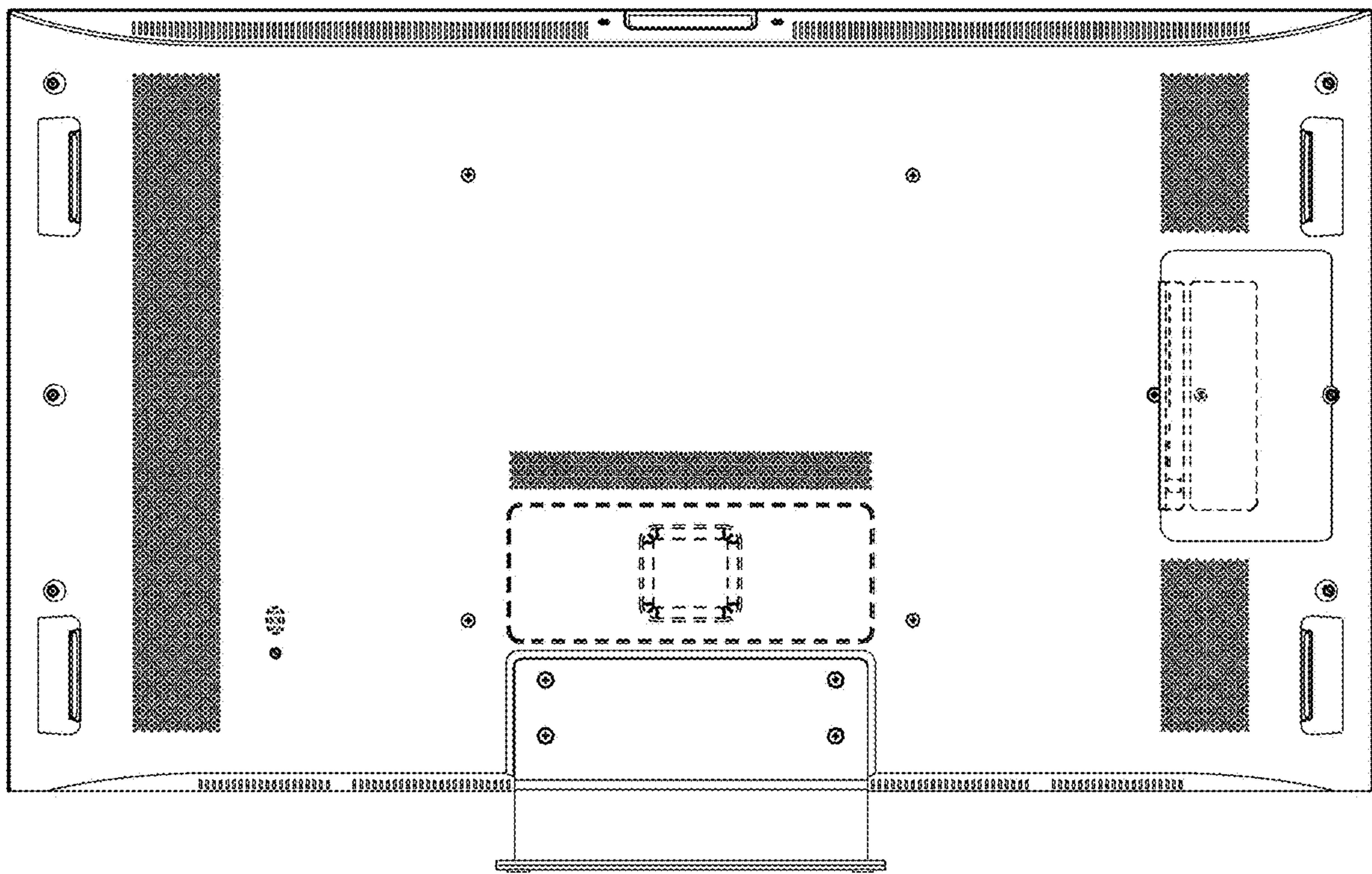


5.7

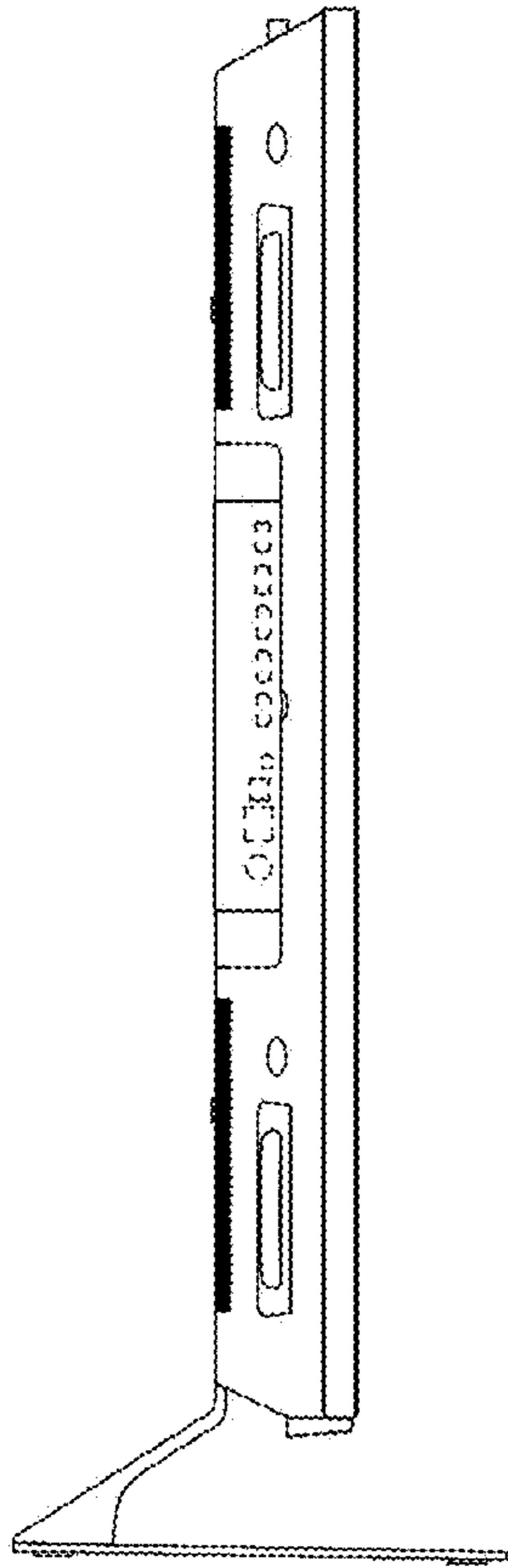




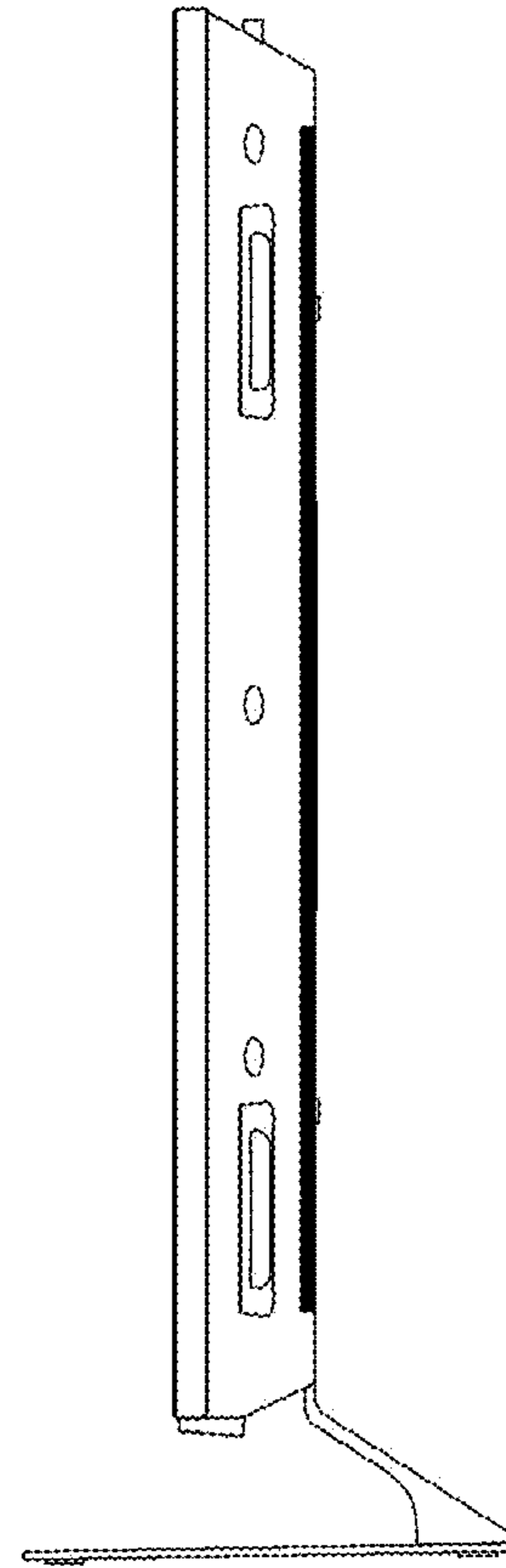
**6.1**



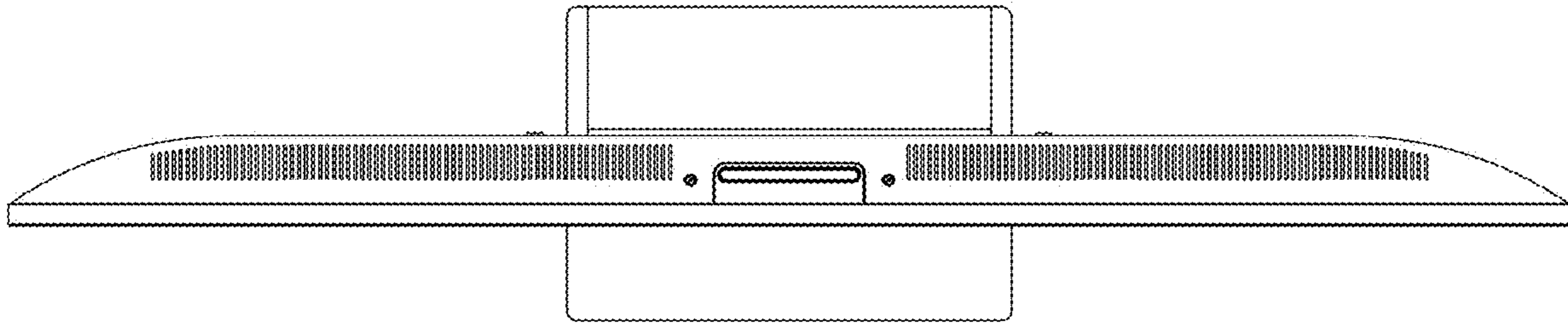
6.2



6.3



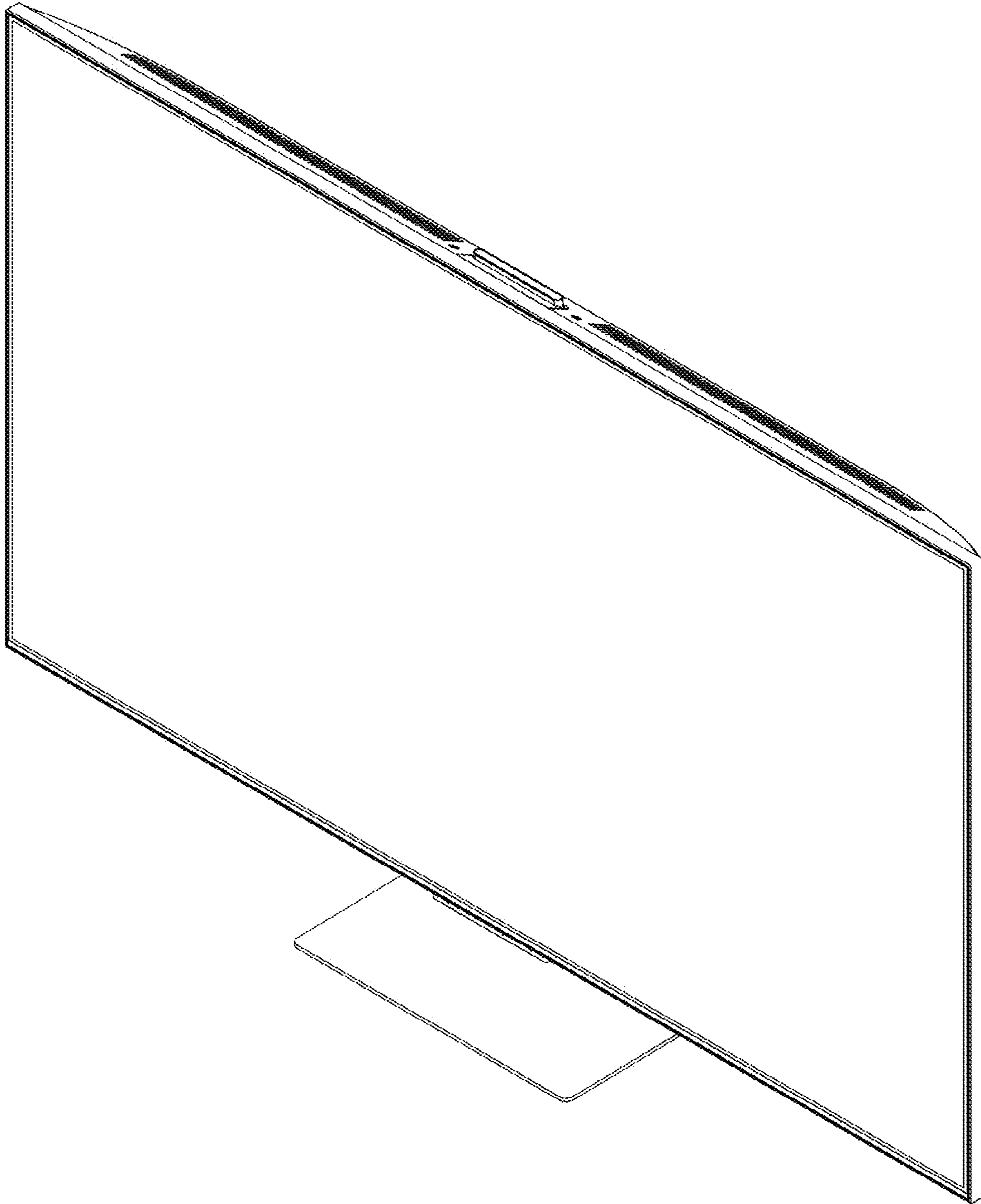
6.4



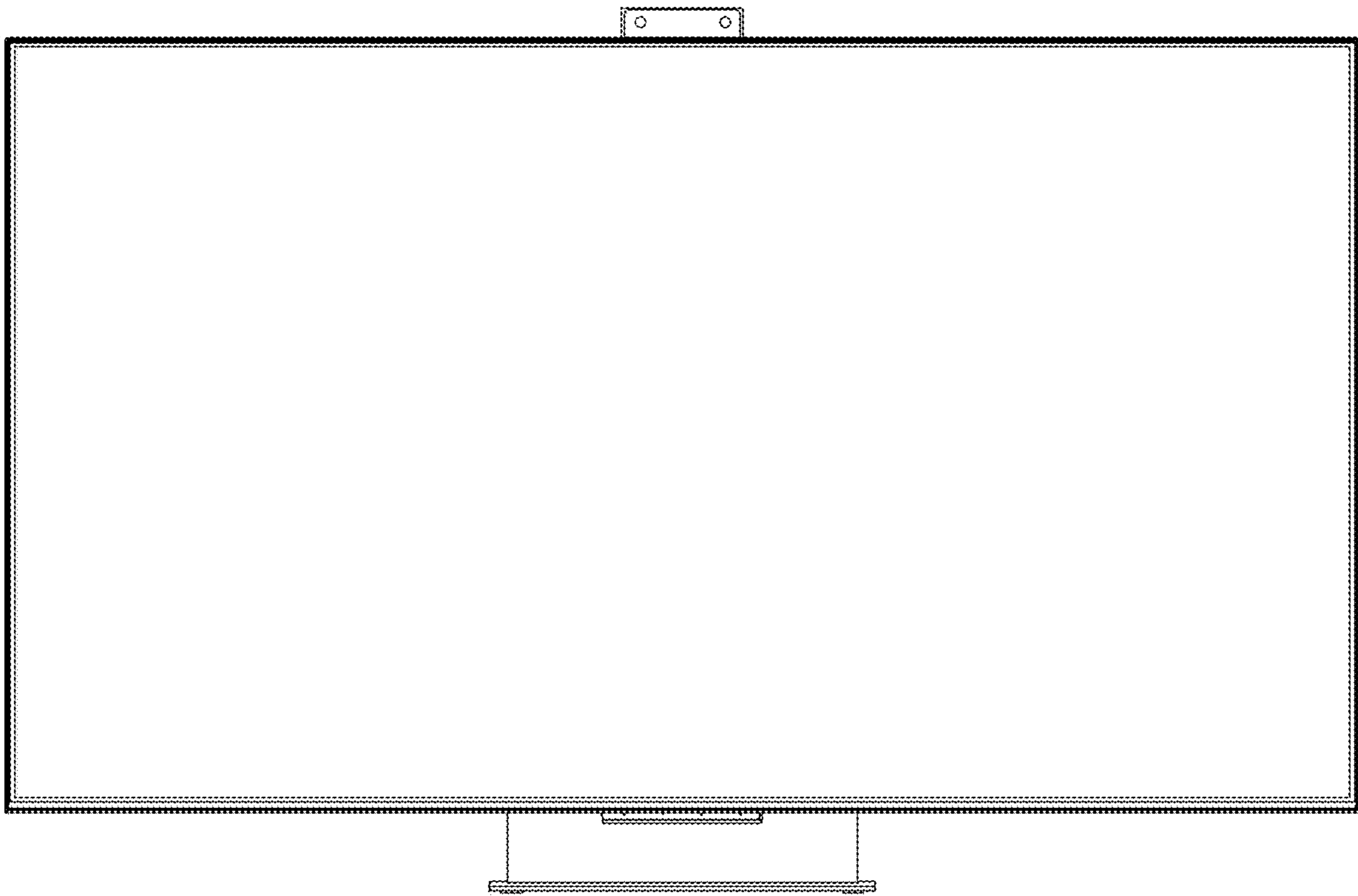
6.5



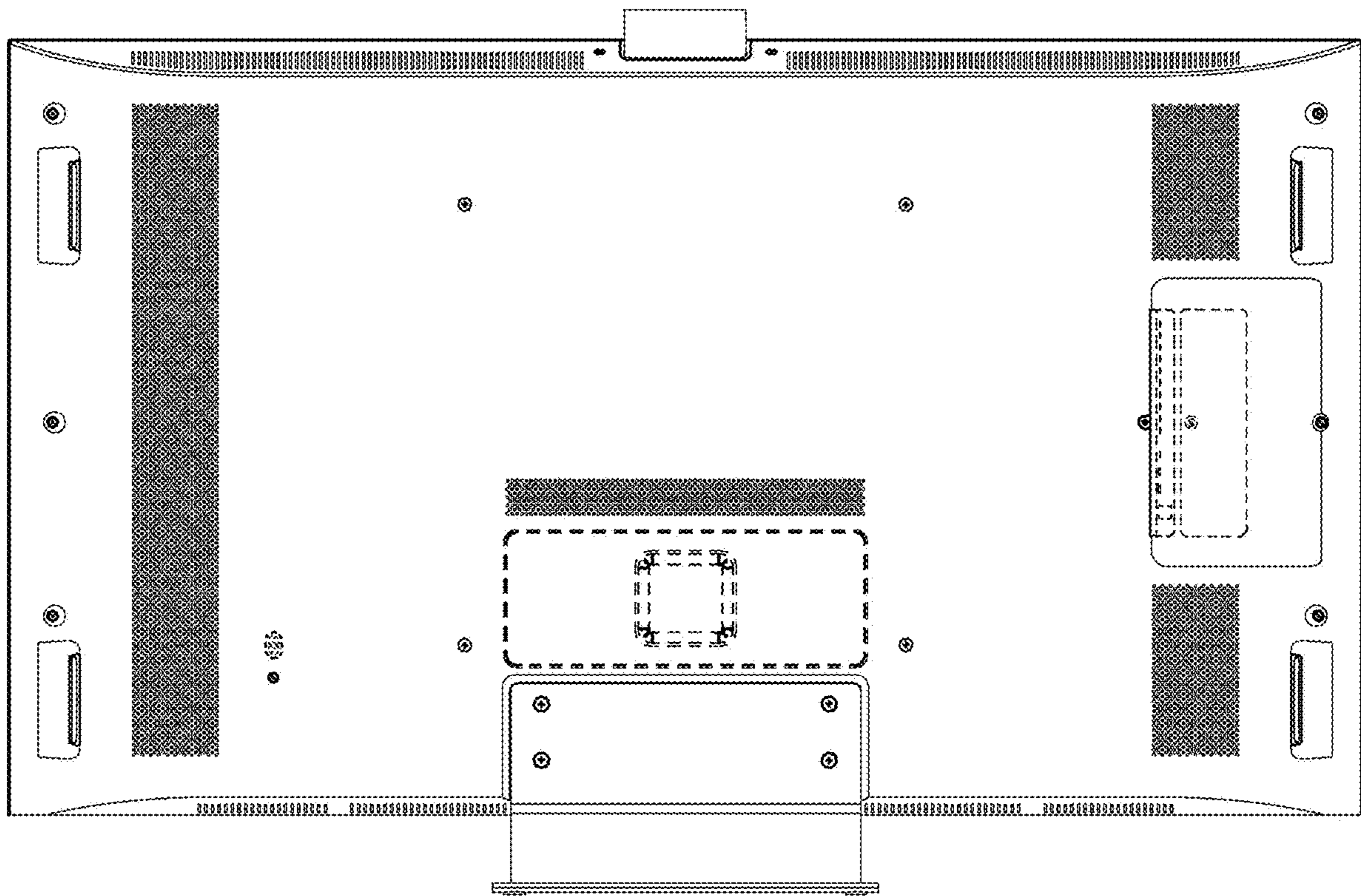
6.6



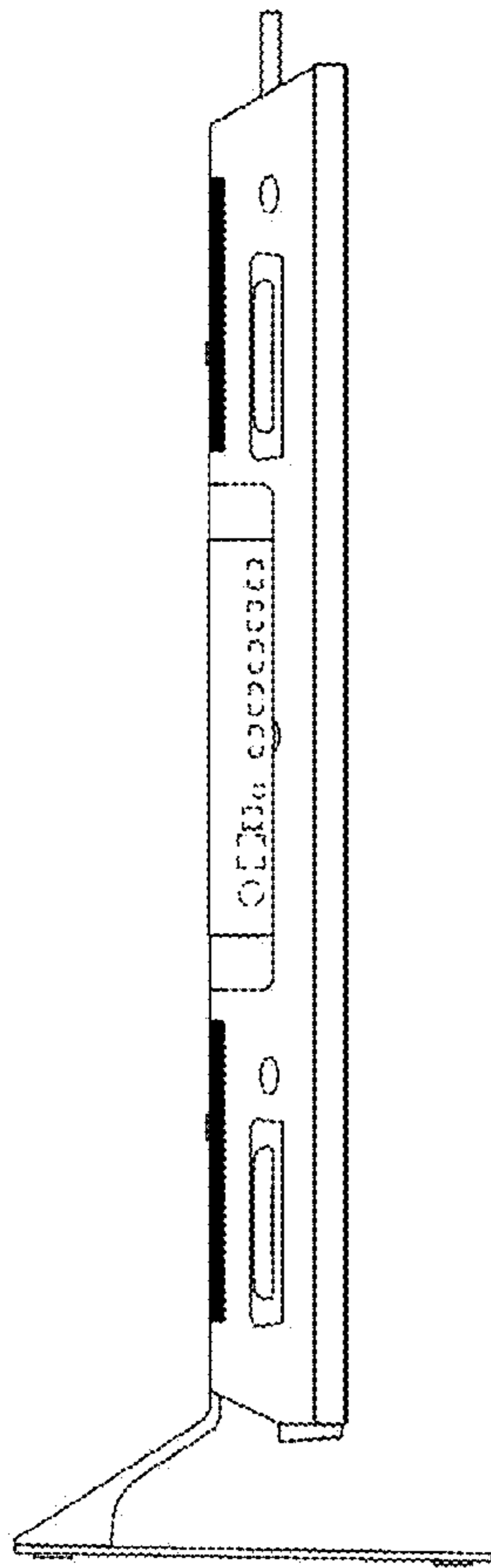
6.7



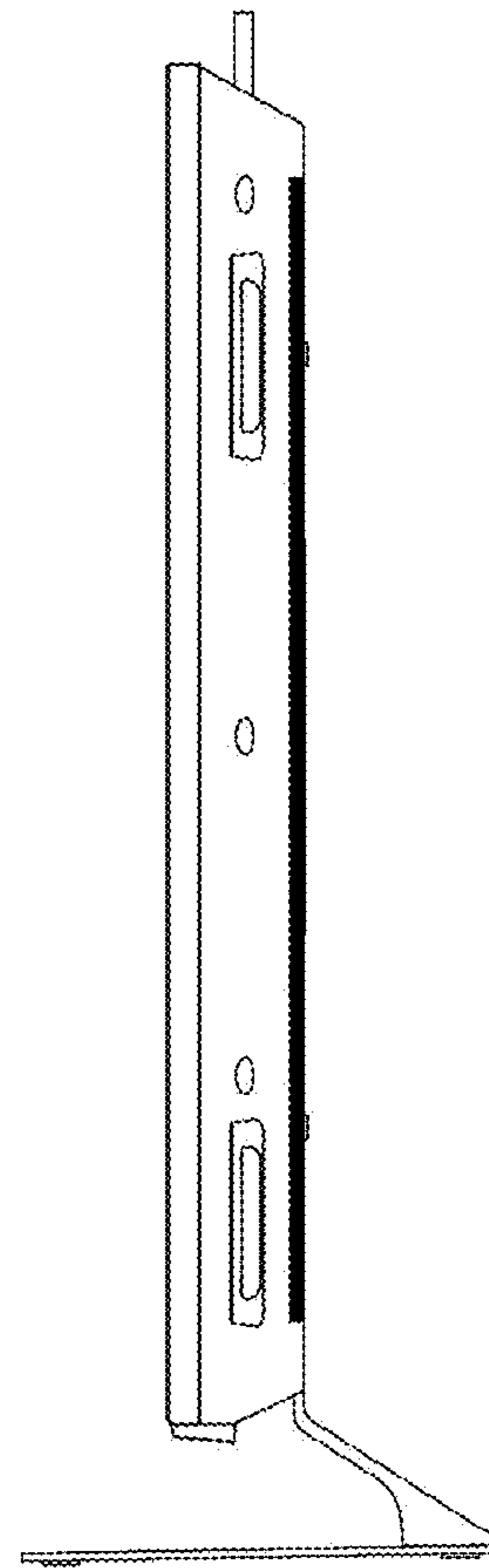
6.8



6.9

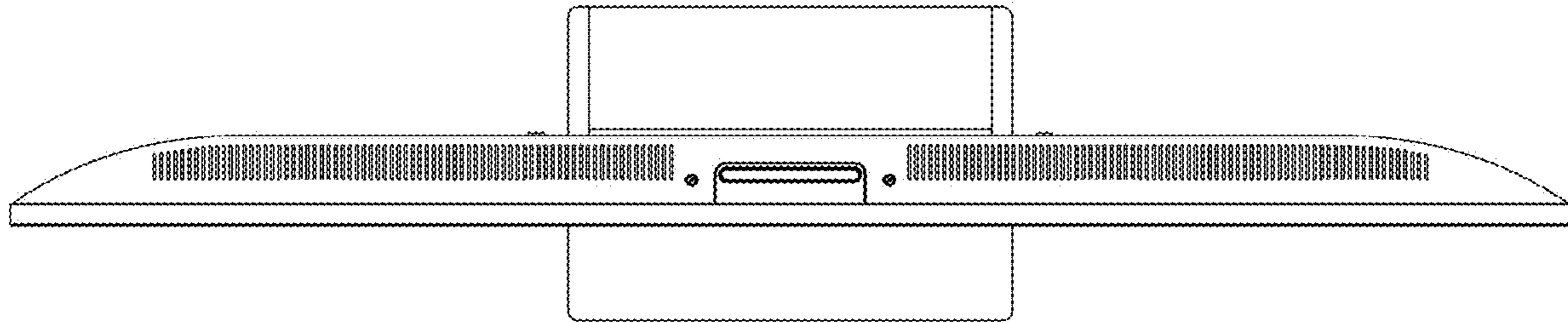


**6.10**



**6.11**

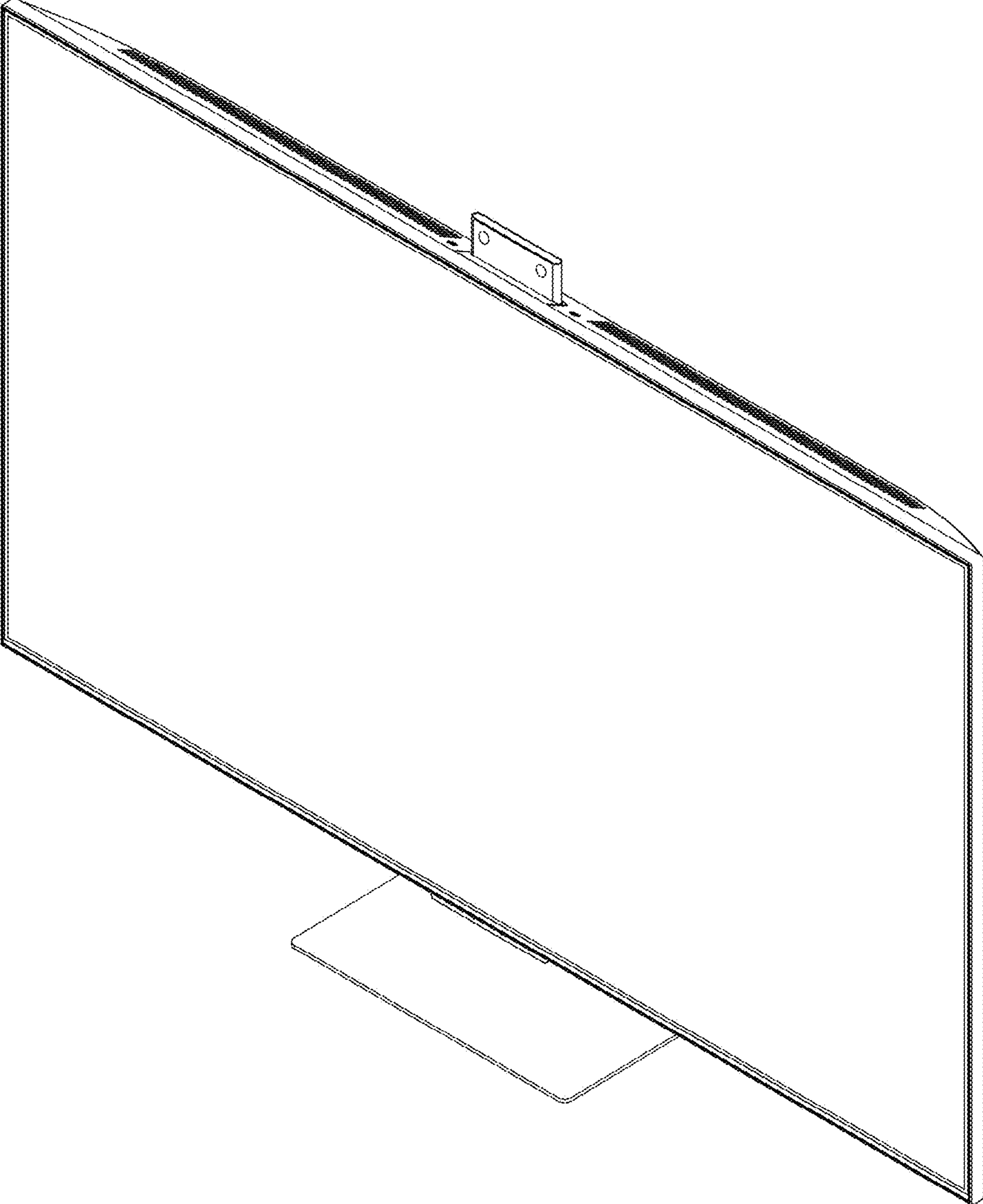




**6.12**



**6.13**



6.14