



US00D984973S

(12) **United States Design Patent** (10) **Patent No.:** **US D984,973 S**
Seong et al. (45) **Date of Patent:** **** May 2, 2023**

(54) **TELEVISION RECEIVER**

(71) Applicant: **SAMSUNG ELECTRONICS CO., LTD.**, Gyeonggi-do (KR)
(72) Inventors: **Bokyoung Seong**, Gyeonggi-do (KR); **Bumho Chun**, Gyeonggi-do (KR); **Gyoosang Choi**, Gyeonggi-do (KR)
(73) Assignee: **SAMSUNG ELECTRONICS CO., LTD.**, Gyeonggi-do (KR)

(**) Term: **15 Years**
(21) Appl. No.: **29/784,621**
(22) Filed: **May 20, 2021**

(30) **Foreign Application Priority Data**

Dec. 1, 2020 (KR) 30-2020-0058800
(51) **LOC (14) Cl.** **14-03**
(52) **U.S. Cl.**
USPC **D14/126; D14/239**
(58) **Field of Classification Search**
USPC D6/310, 567; D14/125, 126, 239, 450,
D14/451, 452, 336, 371, 374, 375, 376,
D14/377, 209.1, 211, 224; D19/91
(Continued)

(56) **References Cited**

U.S. PATENT DOCUMENTS

D560,411 S * 1/2008 Chung D6/567
D635,942 S * 4/2011 Kim D14/126
(Continued)

FOREIGN PATENT DOCUMENTS

CN 304139219 S 5/2017
CN 305231766 S 6/2019
(Continued)

OTHER PUBLICATIONS

Sanus Tempered Glass On-Wall AV Shelf for Streaming Devices, posted Jul. 28, 2016 [online], [retrieved Dec. 5, 2022]. Retrieved from internet, <https://www.amazon.com/Sanus-Tempered-Streaming-Devices-Consoles/dp/B01J8XS1S2> (Year: 2016).*

(Continued)

Primary Examiner — Marie D. Fast Horse
Assistant Examiner — Josiah D. Parsons
(74) *Attorney, Agent, or Firm* — Cantor Colburn LLP

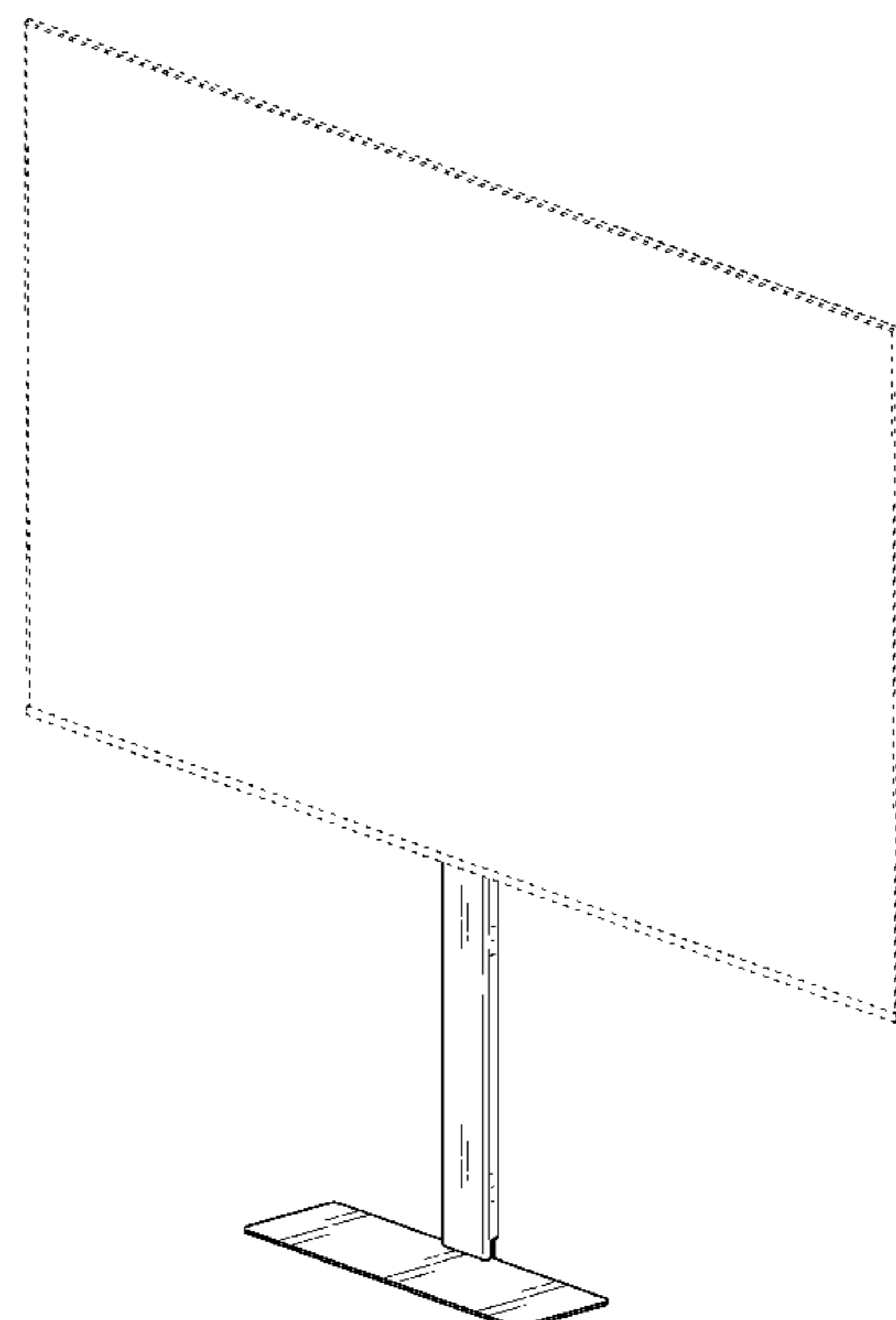
(57) **CLAIM**

The ornamental design for a television receiver, as shown and described.

DESCRIPTION

FIG. 1 is a front perspective view of a television receiver, showing my new design;
FIG. 2 is a front view thereof;
FIG. 3 is a rear view thereof;
FIG. 4 is a left-side view thereof;
FIG. 5 is a right-side view thereof;
FIG. 6 is a top view thereof;
FIG. 7 is a bottom view thereof;
FIG. 8 is a rear perspective view thereof;
FIG. 9 is an enlarged view of the encircled portion 9 of FIG. 3 thereof;
FIG. 10 is an enlarged view of the encircled portion 10 of FIG. 8 thereof;
FIG. 11 is an enlarged view of the encircled portion 11 of FIG. 8 thereof; and,
FIG. 12 is another rear perspective view as shown in a user environment.
The even-dash broken lines illustrating portions of the television receiver form no part of the claimed design. The dot-dot-dash broken lines encircling enlargement portions of the claimed design form no part of the claimed design.

1 Claim, 11 Drawing Sheets



(58) **Field of Classification Search**

CPC A47B 2200/04; A47B 81/06; F16M 11/00;
F16M 11/04; F16M 2200/00; F16M
2200/08; G06F 1/1601; H04N 5/64
See application file for complete search history.

(56) **References Cited**

U.S. PATENT DOCUMENTS

D648,161 S * 11/2011 Truckor D6/708
9,027,766 B1 * 5/2015 Serotta A47B 97/00
211/26
D911,087 S * 2/2021 Knapp D8/355
D932,474 S * 10/2021 Cohen D14/239
D934,880 S * 11/2021 Seo D14/451

FOREIGN PATENT DOCUMENTS

CN 112747202 A * 5/2021
GB 6205658 * 4/2022
JP D1381673 2/2010
JP D1418368 6/2011
JP D1722320 * 8/2022
KR 300594680 3/2011
WO WO-2020044575 A1 * 3/2020

OTHER PUBLICATIONS

Fitueyes Iron Base Universal Floor TV Stand with Swivel Mount,
posted May 12, 2021 [online], [retrieved Dec. 5, 2022]. Retrieved
from internet, <https://www.amazon.com/FITUEYES-Universal-Swivel-Saving-Adjustable/dp/B094Q9G5SJ> (Year: 2021).*

* cited by examiner

FIG. 1

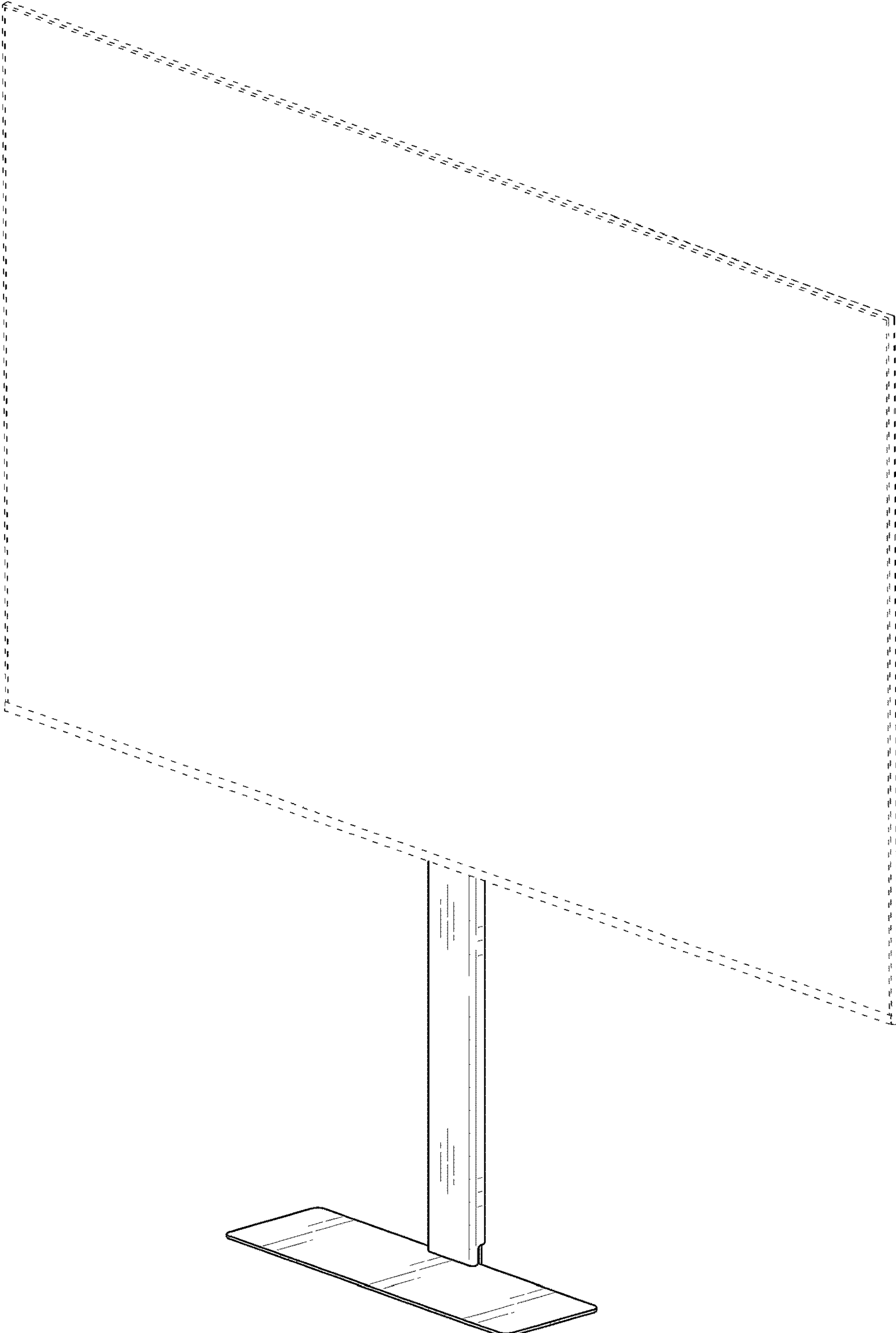


FIG. 2

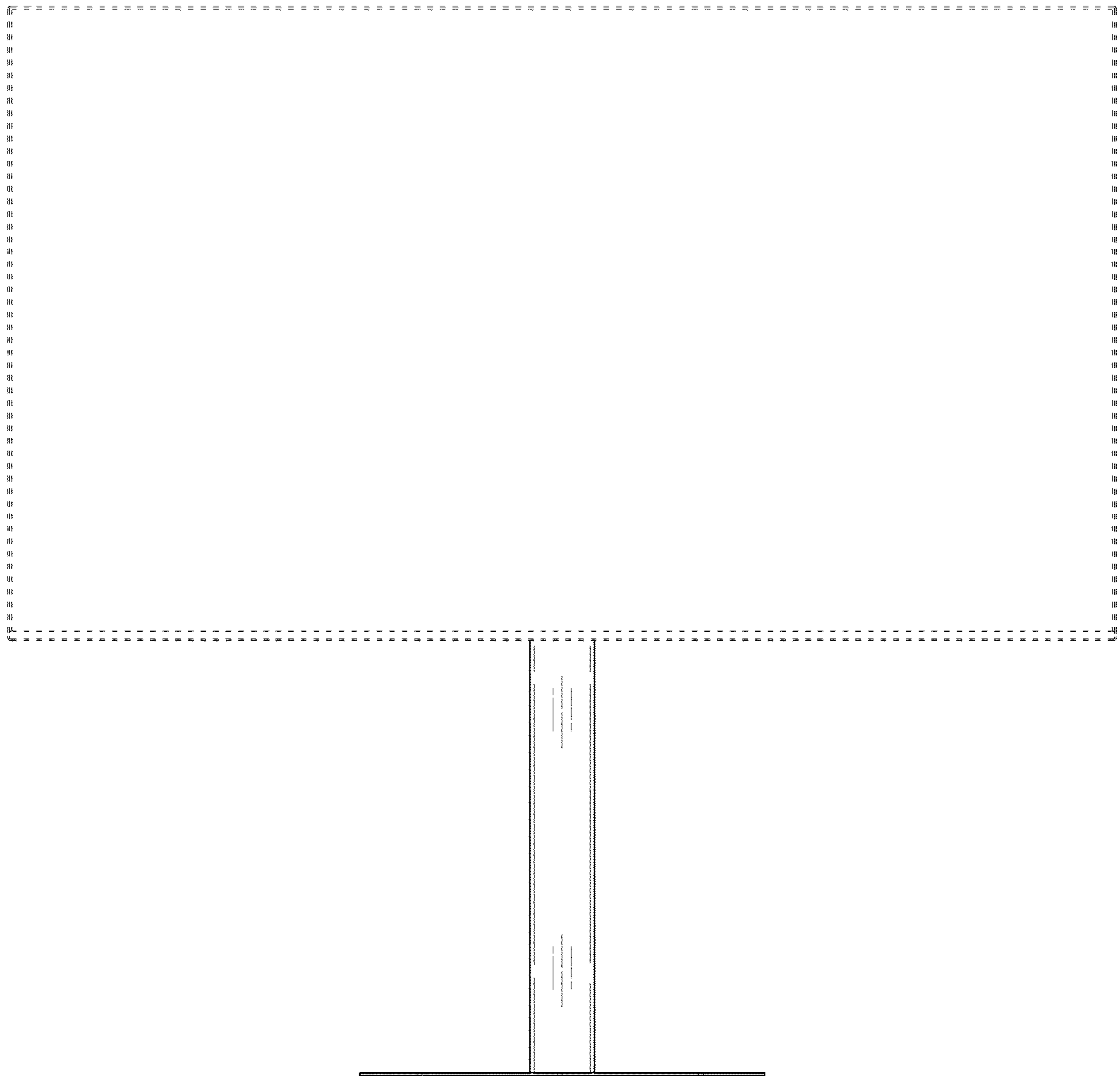


FIG. 3

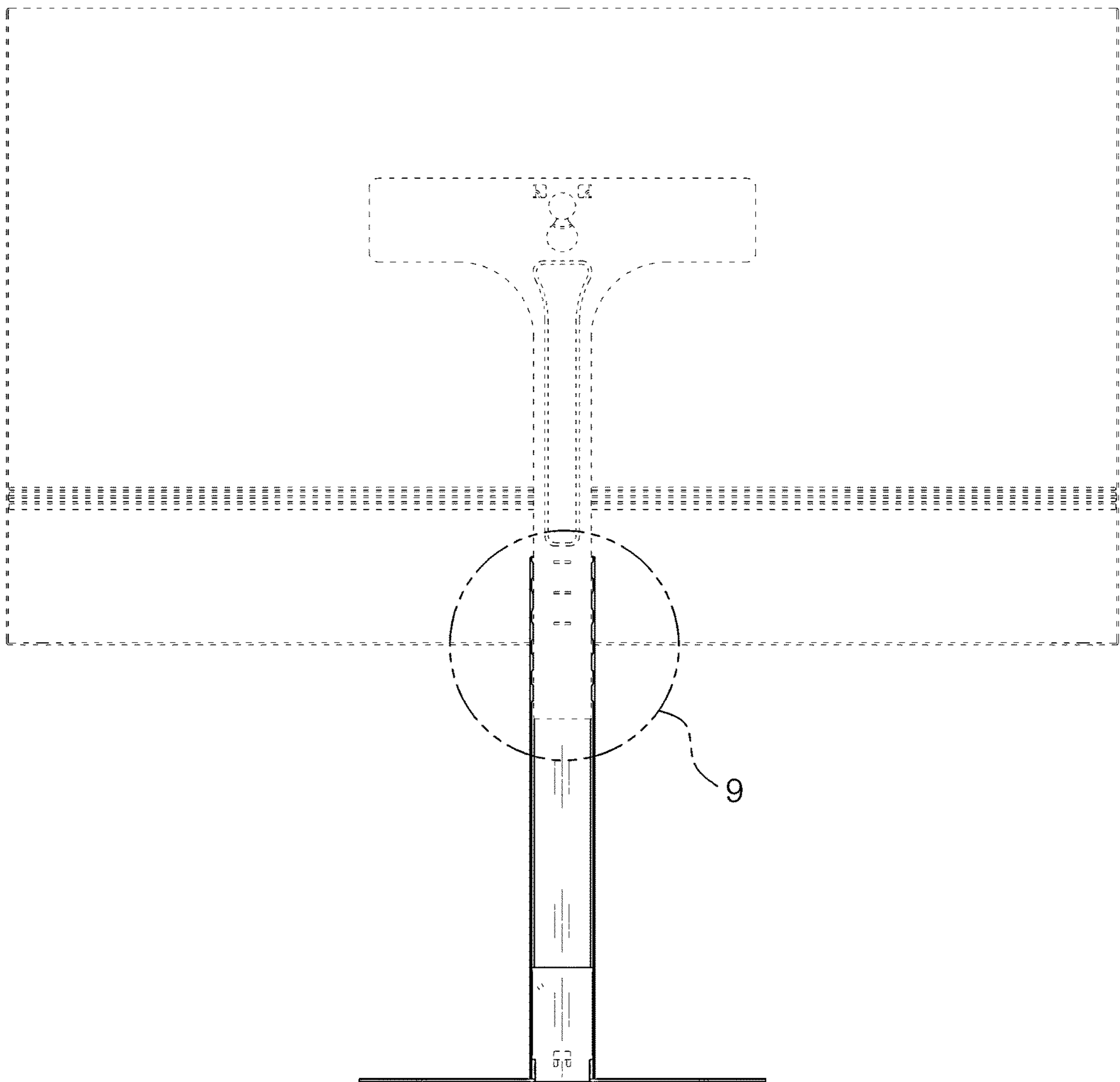


FIG. 4

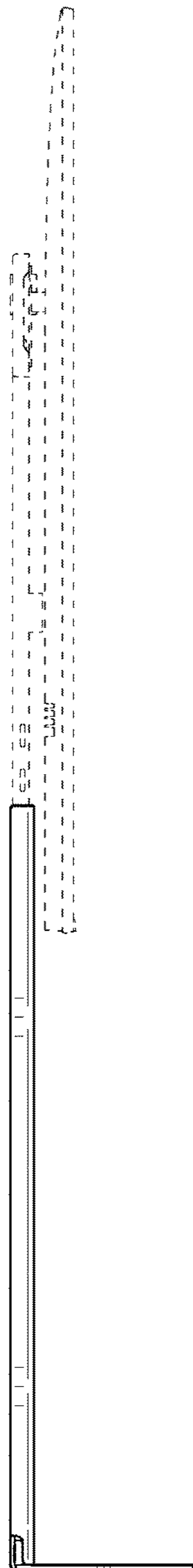


FIG. 5

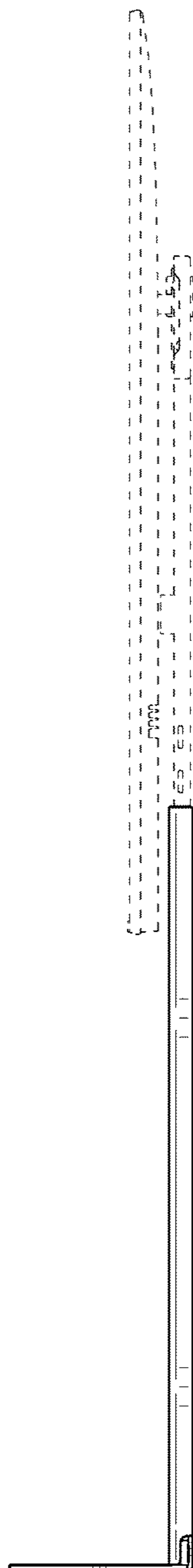


FIG. 6

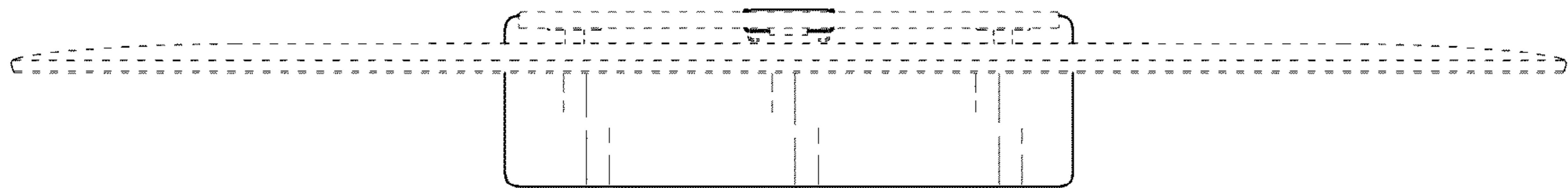


FIG. 7

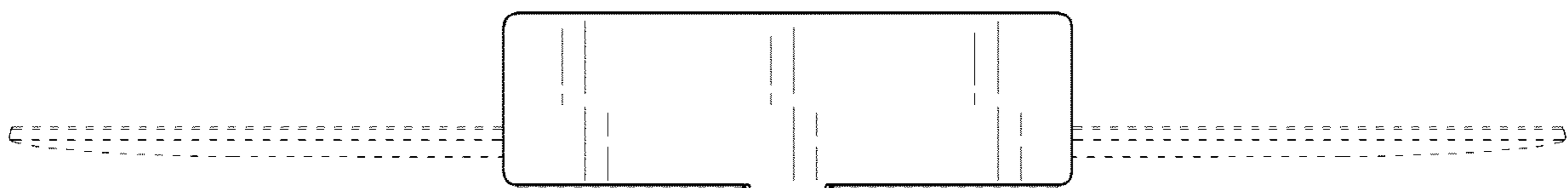


FIG. 8

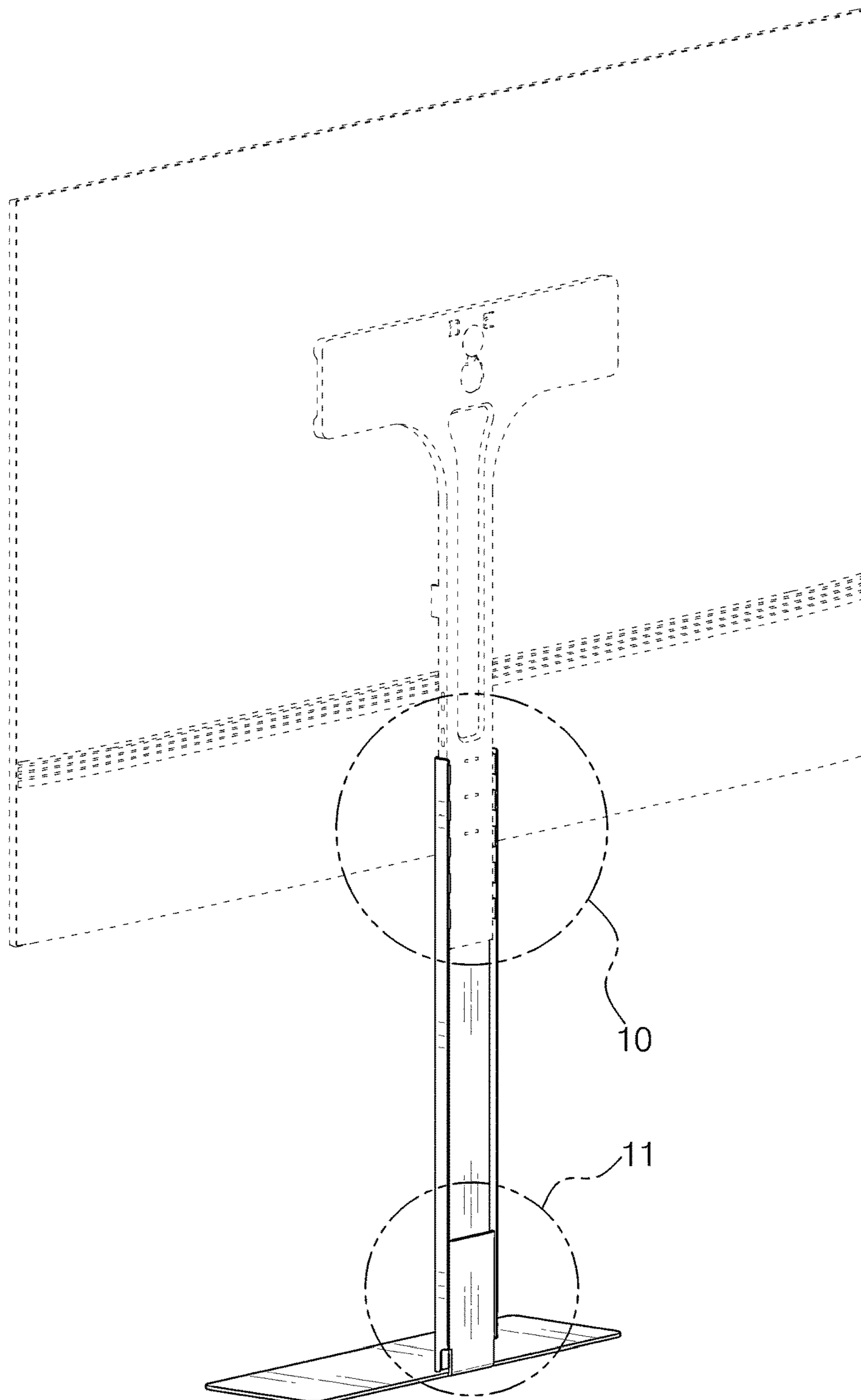


FIG. 9

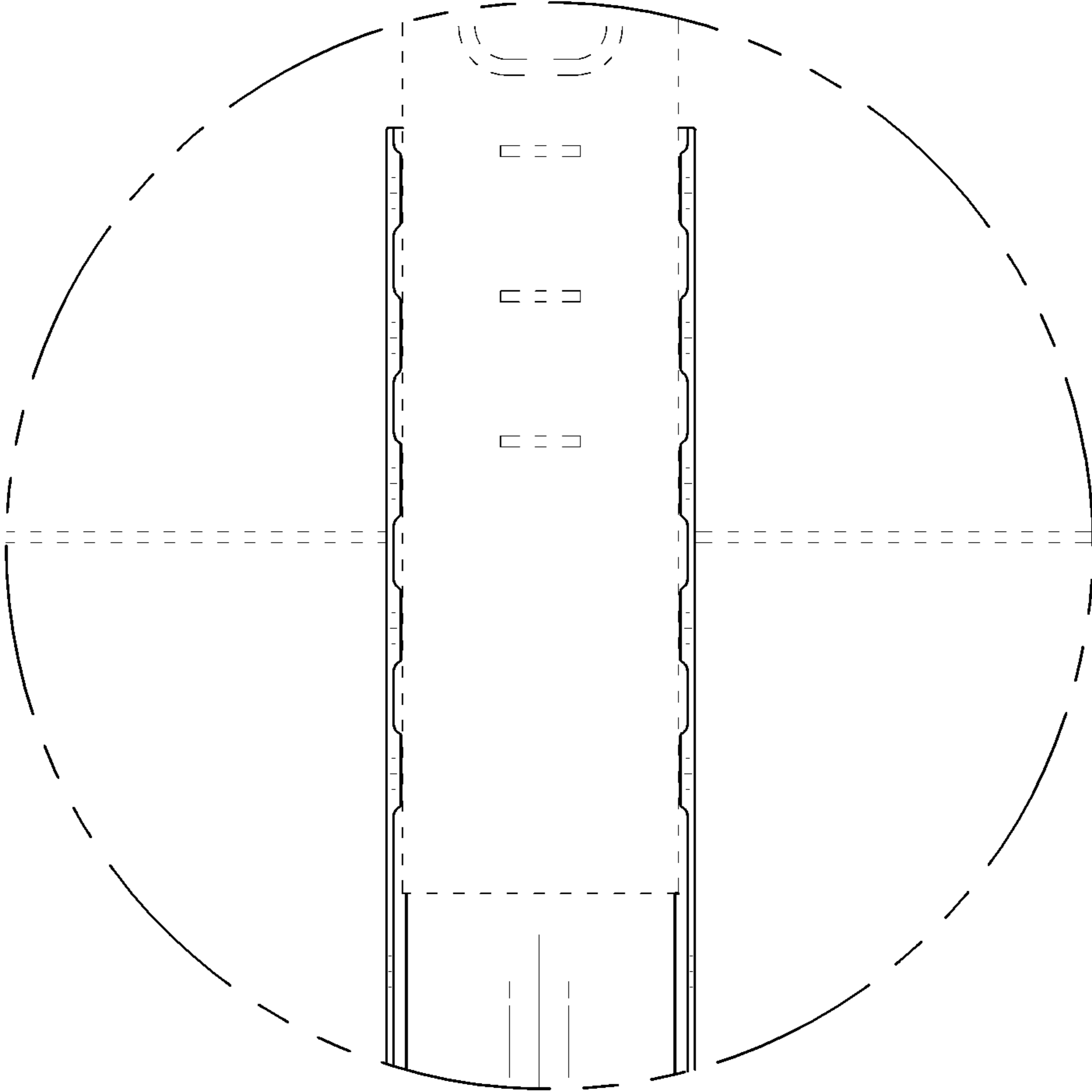


FIG. 10

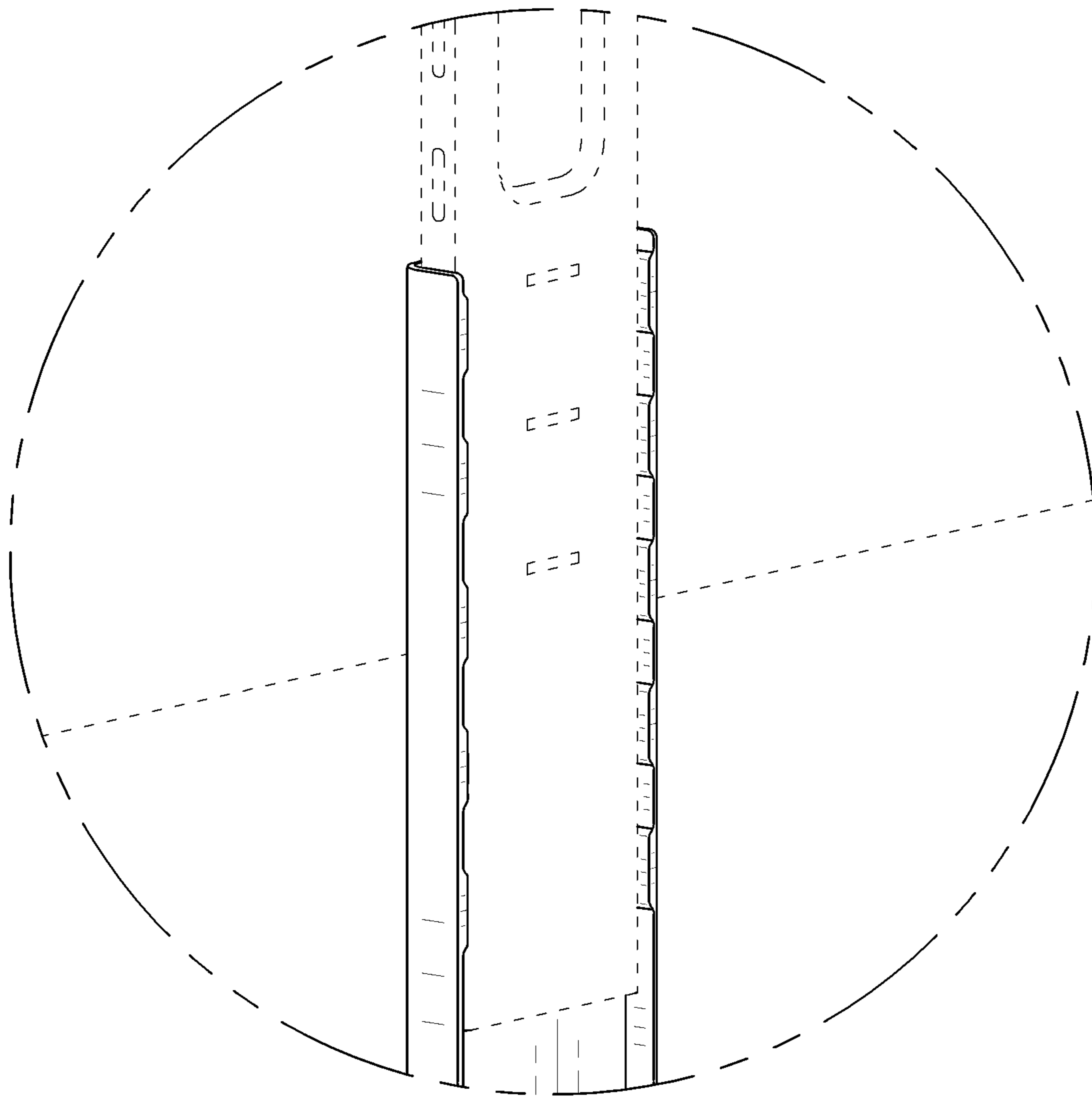


FIG. 11

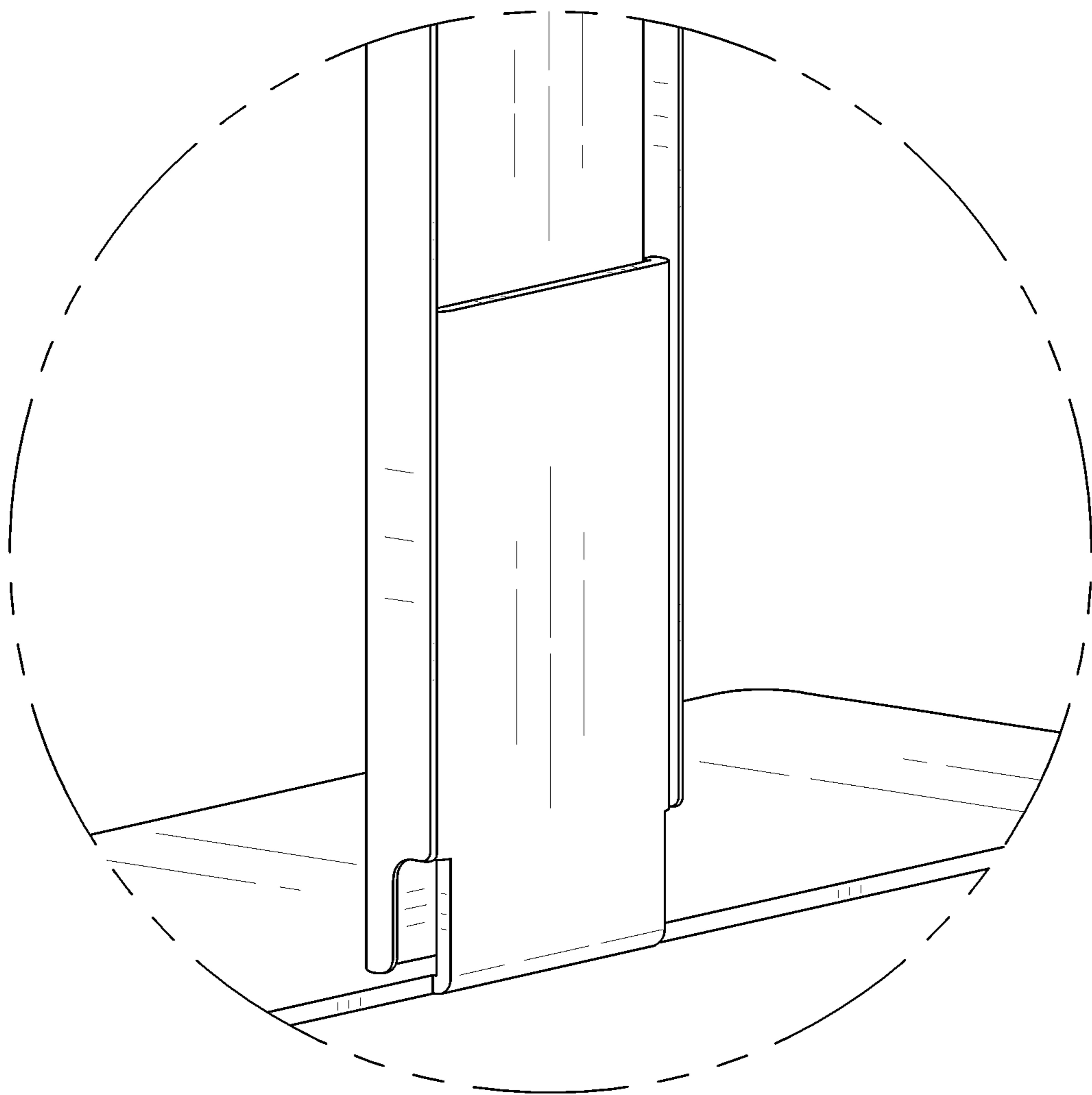


FIG. 12

