



US00D984971S

(12) **United States Design Patent**
Zimmer

(10) **Patent No.:** **US D984,971 S**

(45) **Date of Patent:** **** May 2, 2023**

(54) **DUAL SWITCH ASSEMBLY**

(71) Applicant: **Trent Zimmer**, Broussard, LA (US)

(72) Inventor: **Trent Zimmer**, Broussard, LA (US)

(**) Term: **15 Years**

(21) Appl. No.: **29/808,579**

(22) Filed: **Sep. 21, 2021**

(51) **LOC (14) Cl.** **13-03**

(52) **U.S. Cl.**

USPC **D13/171**; D13/158; D13/168; D22/108

(58) **Field of Classification Search**

USPC D13/158, 160, 162, 168, 169, 171, 173,
D13/174; D22/108, 109, 110, 199

CPC .. H01H 3/02; H01H 3/04; H01H 3/08; H01H
3/12; H01H 3/122; H01H 9/02; H01H
9/0235; H01H 9/04; H01H 9/041; H01H
13/02; H01H 13/023; H01H 13/04; H01H
13/06; H01H 13/10; H01H 13/12; H01H
13/14; H01H 13/20; H01H 13/28; H01H
13/50; H01H 13/58; H01H 13/70; H01H
13/86; H01H 19/04; H01H 19/06; H01H
19/065; H01H 19/14; H01H 223/002;
H01H 223/003; H05K 5/0017; G08C
17/02; F41C 27/00; F41G 1/32; F41G
1/34; F41G 1/35; F41G 1/36; F41G
11/00; F41G 11/001; F41G 11/003; H01R
24/58

See application file for complete search history.

(56) **References Cited**

U.S. PATENT DOCUMENTS

D507,543 S *	7/2005	Ishii	D13/174
D601,100 S *	9/2009	Wahrenberg	D13/171
D714,229 S *	9/2014	Wenji	D13/171
D799,434 S *	10/2017	Ott	D13/173
D813,829 S *	3/2018	Raphael	D13/177
D880,433 S *	4/2020	Woo	D13/171
D933,028 S *	10/2021	Takeshita	D13/171

D939,456 S *	12/2021	Becker	D13/171
11,276,534 B2 *	3/2022	Wu	H02B 1/044
2015/0213970 A1 *	7/2015	Wu	H01H 13/04 29/622
2022/0068573 A1 *	3/2022	Bruchschmidt	H01H 9/16

OTHER PUBLICATIONS

Popular Airsoft, The New Unity Tactical Axon Switches To Be On Display At The SHOT Show 2023 , Jan. 12, 2023.*

* cited by examiner

Primary Examiner — Selina Sikder

(74) *Attorney, Agent, or Firm* — Asgaard Patent Services, LLC; F. Wayne Thompson, Jr.

(57) **CLAIM**

The ornamental design for a dual switch assembly, as shown and described.

DESCRIPTION

FIG. 1 is a top isometric view of a first embodiment of a dual switch assembly;

FIG. 2 is a bottom isometric view of the dual switch assembly shown in FIG. 1;

FIG. 3 is a front elevational view of the dual switch assembly shown in FIG. 1;

FIG. 4 is a rear elevational view of the dual switch assembly shown in FIG. 1;

FIG. 5 is a right side elevational view of the dual switch assembly shown in FIG. 1;

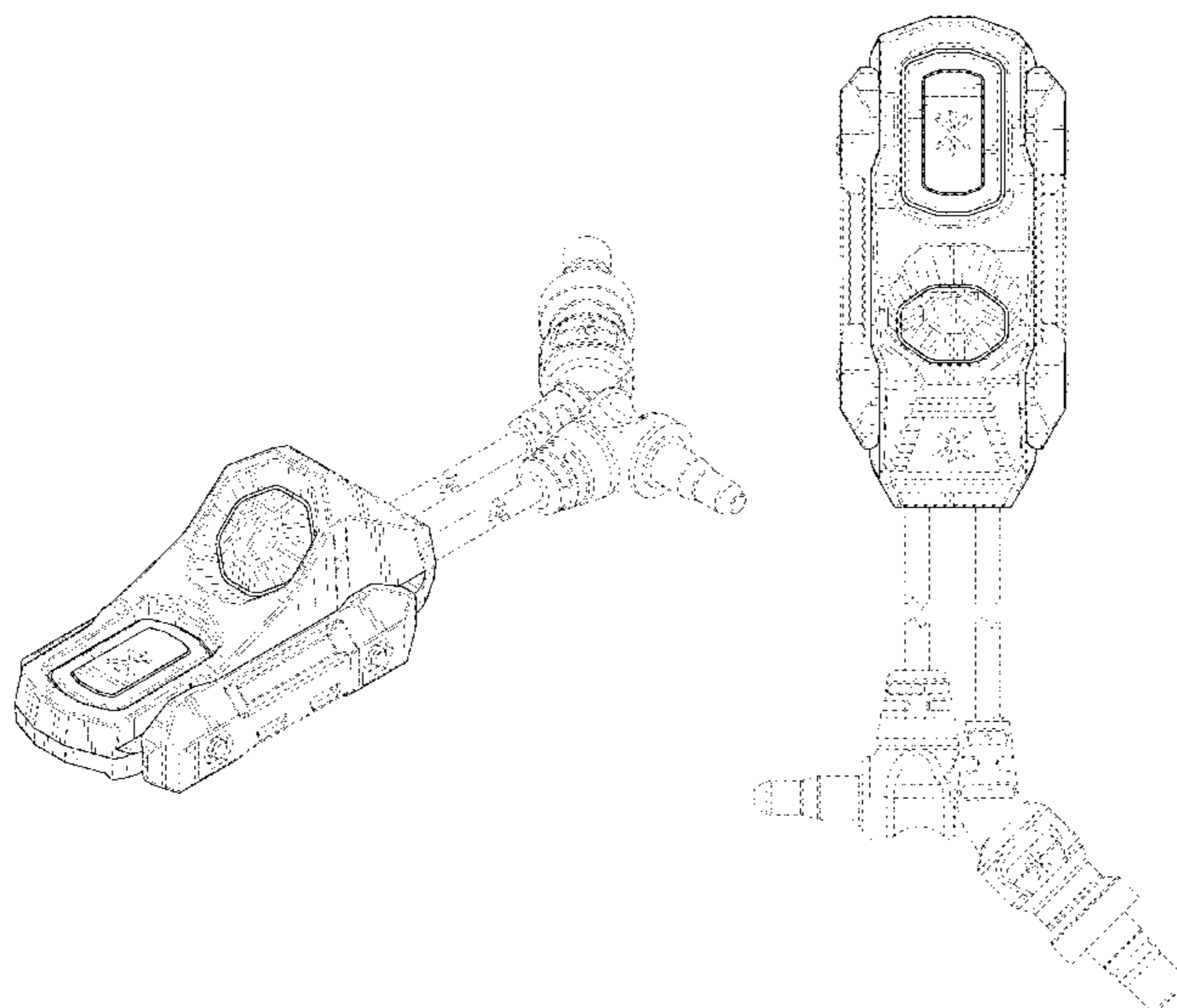
FIG. 6 is a left side elevational view of the dual switch assembly shown in FIG. 1;

FIG. 7 is a top plan view of the dual switch assembly shown in FIG. 1; and,

FIG. 8 is a bottom plan view of the dual switch assembly shown in FIG. 1.

The broken lines represent portions of the dual switch assembly that form no part of the claimed design.

1 Claim, 6 Drawing Sheets



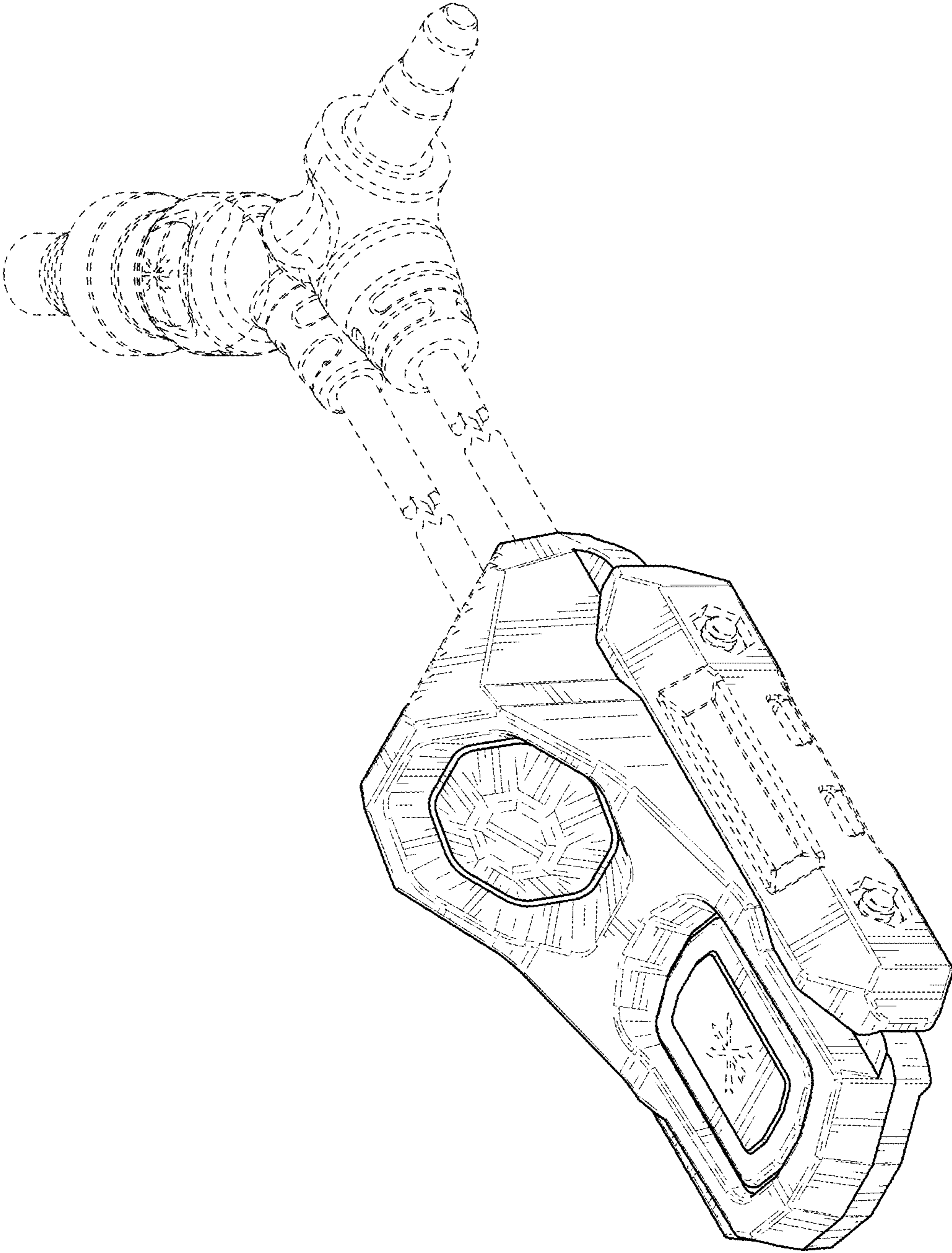


FIG. 1

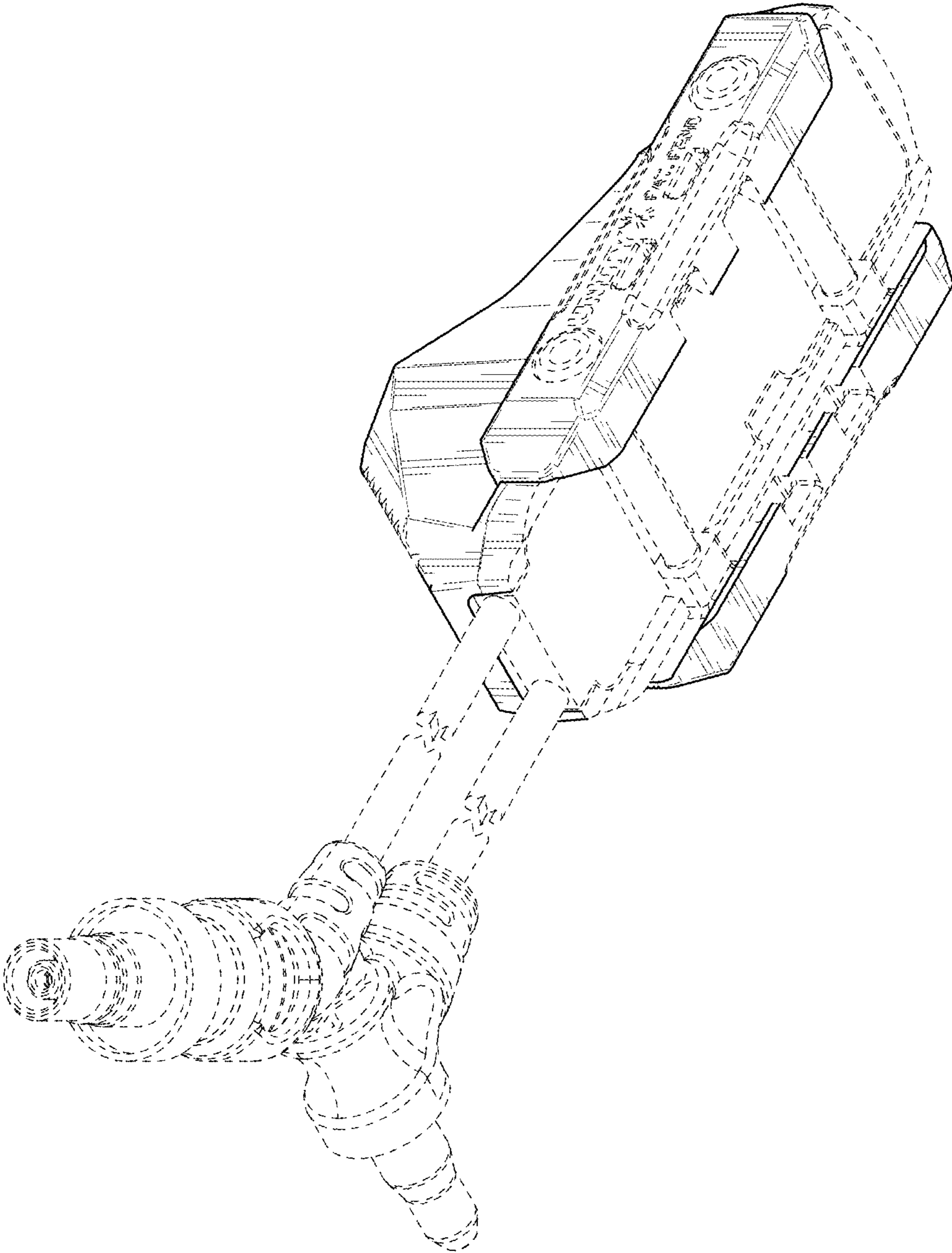


FIG. 2

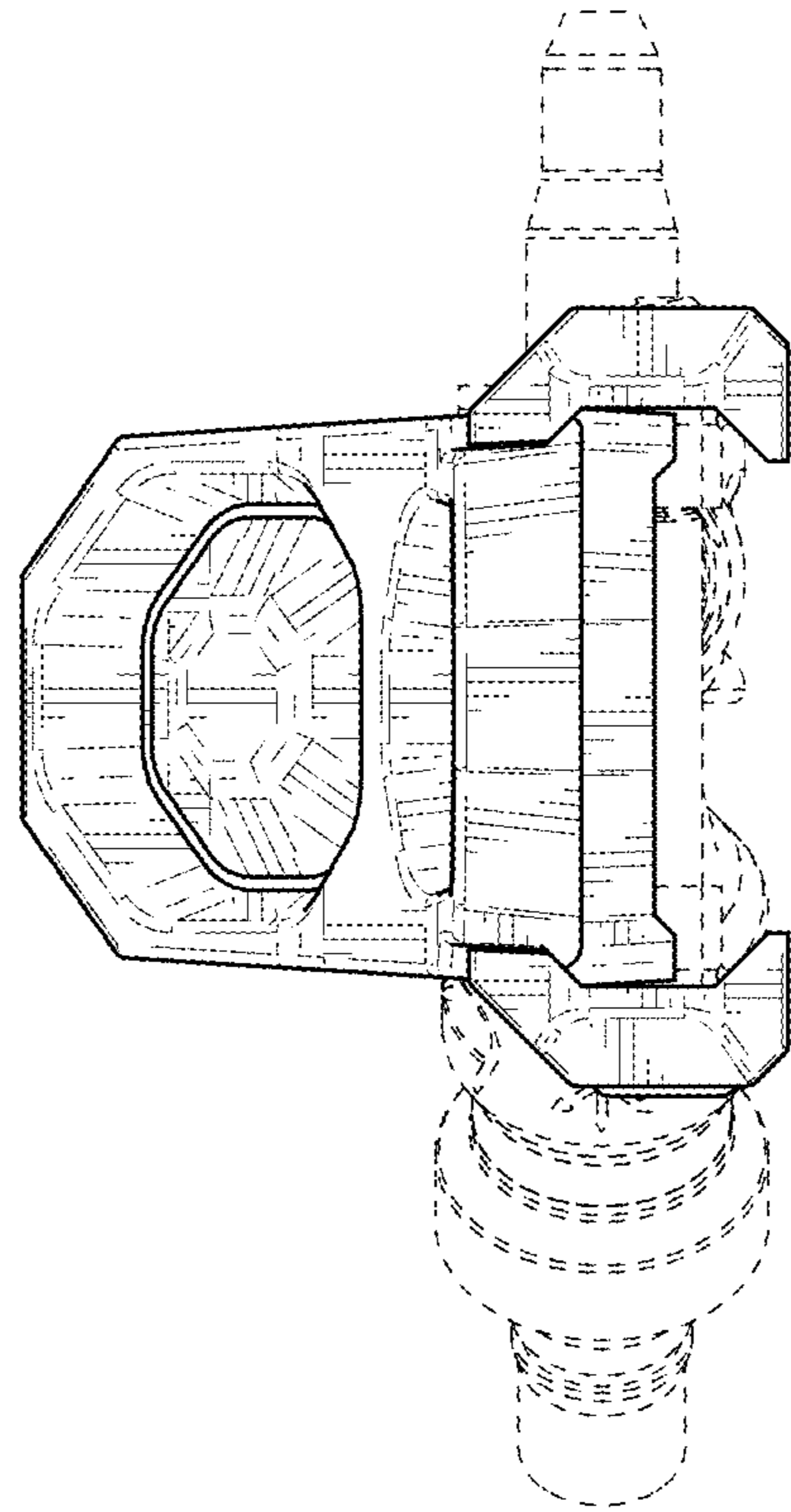


FIG. 4

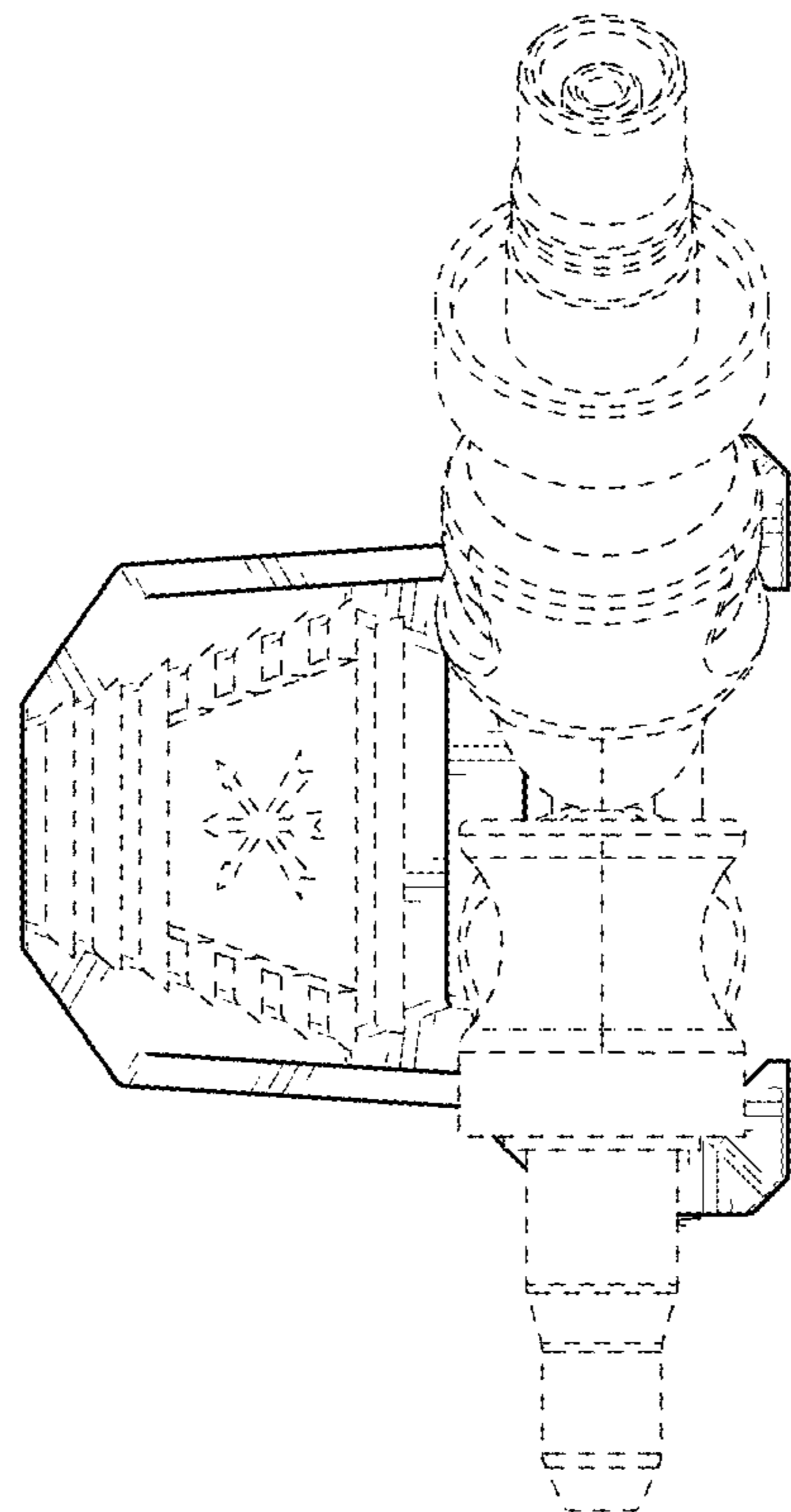


FIG. 3

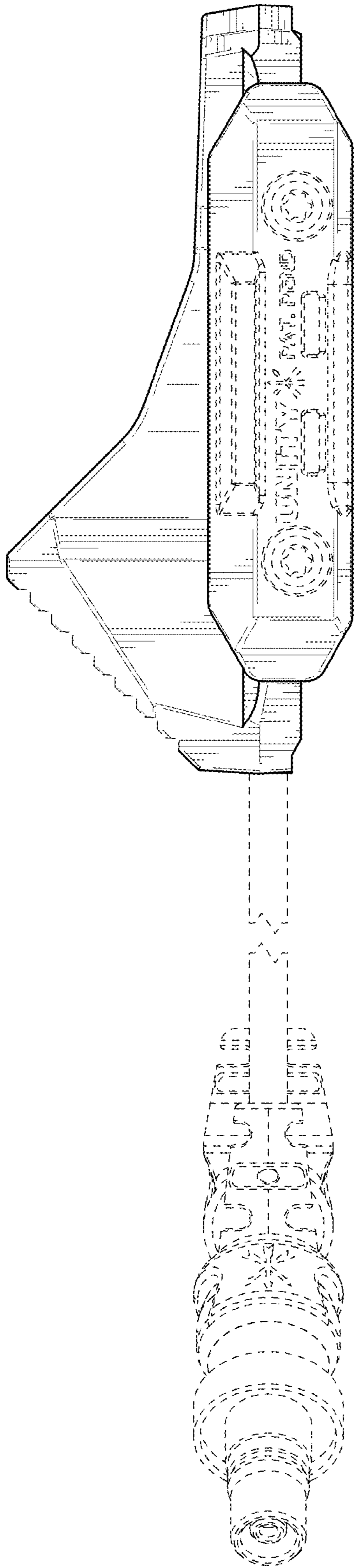


FIG. 5

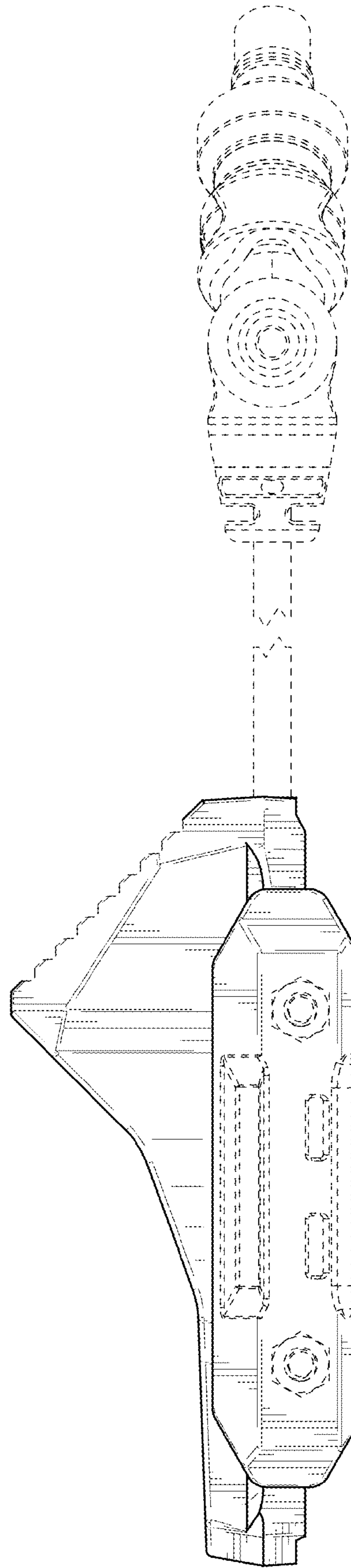


FIG. 6

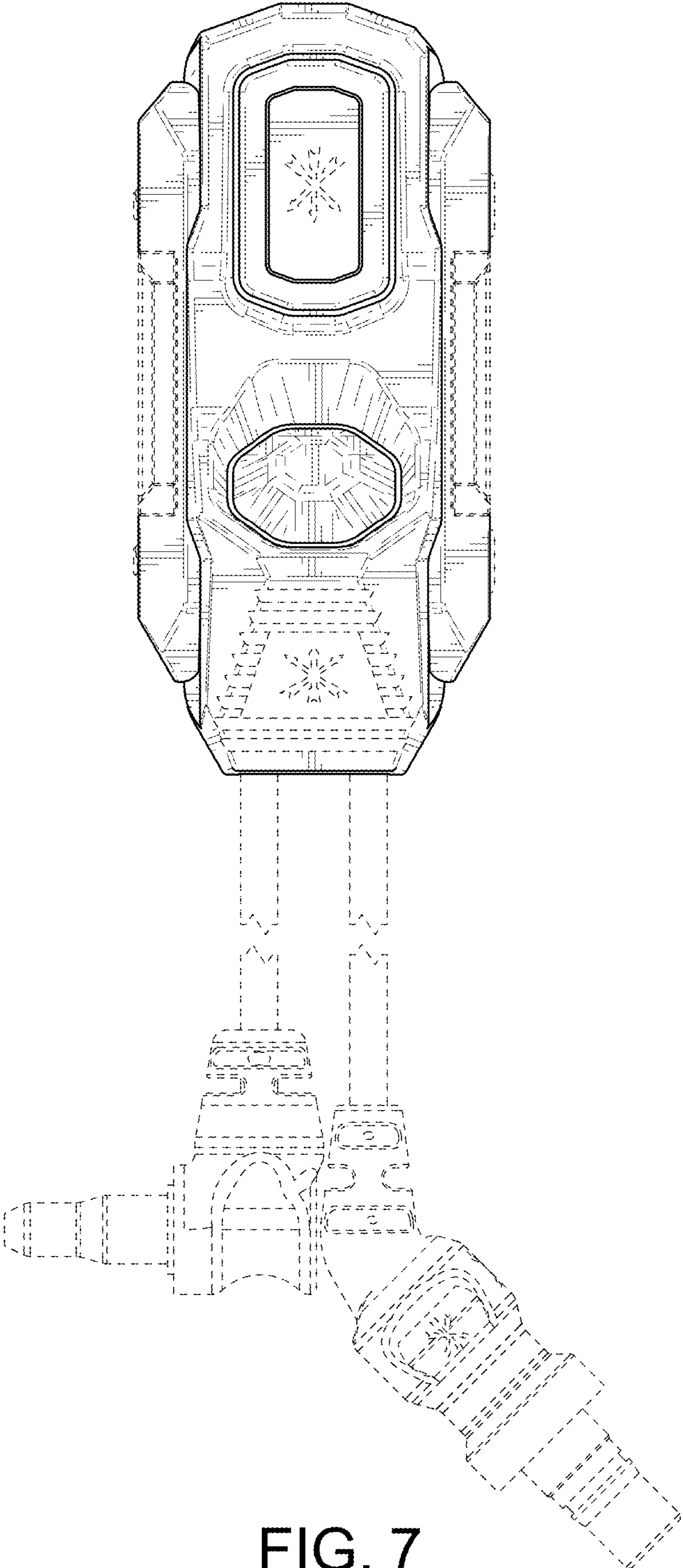


FIG. 7

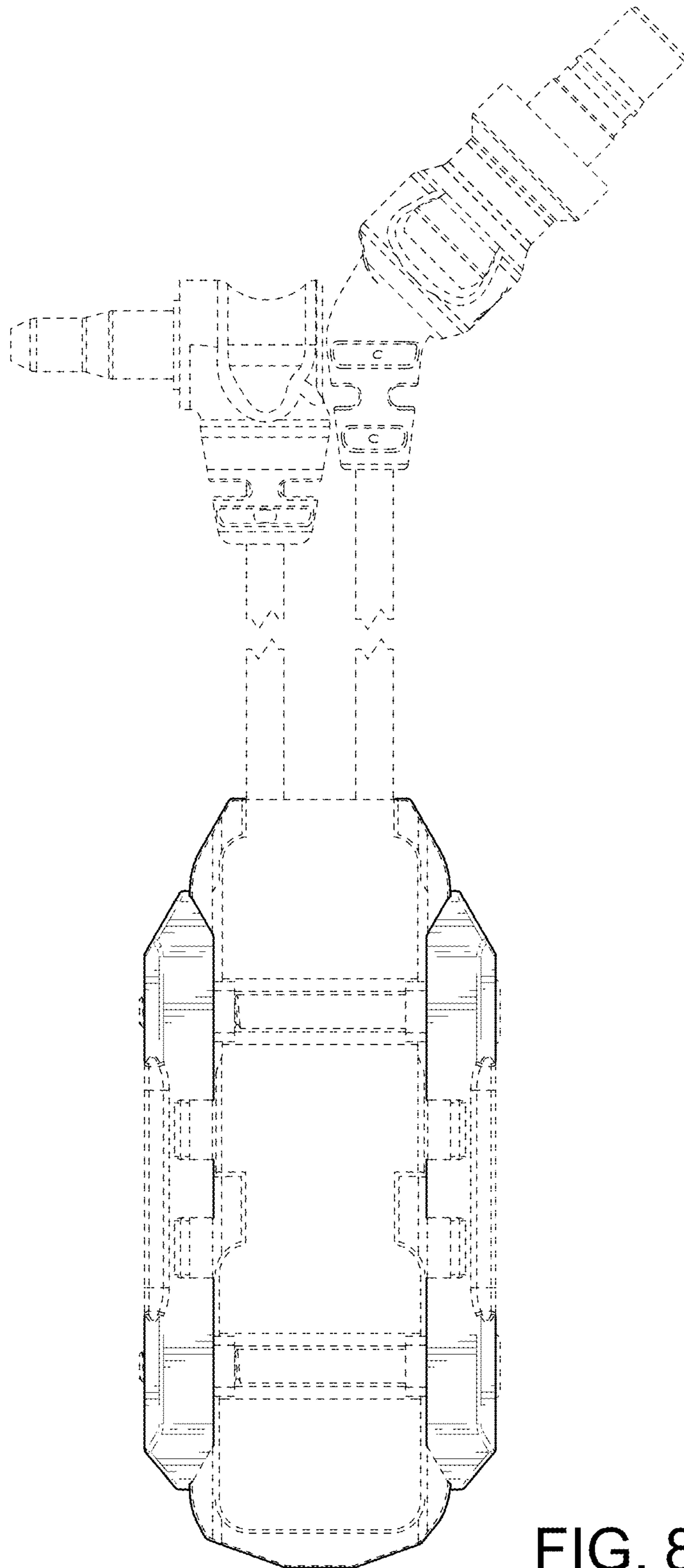


FIG. 8