



US00D984969S

(12) **United States Design Patent**
You et al.

(10) **Patent No.:** **US D984,969 S**

(45) **Date of Patent:** **** May 2, 2023**

(54) **CONTROLLER**

(71) Applicant: **NINGBO TUOTUO RIVER DESIGN COMPANY, Zhejiang (CN)**

(72) Inventors: **Xiaodong You, Ningbo (CN); Hongjun Wang, Ningbo (CN)**

(73) Assignee: **NINGBO TUOTUO RIVER DESIGN COMPANY, Ningbo (CN)**

(**) Term: **15 Years**

(21) Appl. No.: **29/792,695**

(22) Filed: **Apr. 19, 2022**

(30) **Foreign Application Priority Data**

Mar. 28, 2022 (CN) 202230164897.7

(51) **LOC (14) Cl.** **13-03**

(52) **U.S. Cl.**
USPC **D13/162**

(58) **Field of Classification Search**
USPC D13/139.4, 158, 162, 164; D14/305
CPC .. H01H 3/00; H01H 3/02; H01H 3/04; H01H 3/06; H01H 9/02; H01H 13/02; H01H 13/04; H01H 13/10; H01H 13/86; H01H 21/22; H01H 21/24; A47C 1/0345; A47C 1/035; A47B 21/02; A47B 9/00; A61G 13/02; A61G 7/018; G05B 15/02
See application file for complete search history.

(56) **References Cited**

U.S. PATENT DOCUMENTS

7,538,284 B2 * 5/2009 Nielsen A47B 9/00
200/61.7
D678,847 S * 3/2013 Helm D13/162

D820,221 S * 6/2018 Yang D13/164
D825,493 S * 8/2018 Chen D13/164
D833,981 S * 11/2018 Seal D13/162
D846,503 S * 4/2019 Yang D13/162
D846,504 S * 4/2019 Yang D13/162
D847,100 S * 4/2019 Yang D13/162
D847,101 S * 4/2019 Chen D13/162
D848,957 S * 5/2019 Chen D13/164
D850,390 S * 6/2019 Yang D13/164
D851,603 S * 6/2019 Shen D13/162
D851,604 S * 6/2019 Zhuang D13/162
D852,147 S * 6/2019 Chen D13/162
D858,462 S * 9/2019 Lu D13/164
D938,371 S * 12/2021 Shen D13/168
D947,138 S * 3/2022 Chen D13/162
D947,765 S * 4/2022 O'Leary D13/162
2018/0168335 A1 * 6/2018 Seal A47B 9/20

* cited by examiner

Primary Examiner — Selina Sikder

(74) *Attorney, Agent, or Firm* — Knobbe Martens Olson & Bear LLP

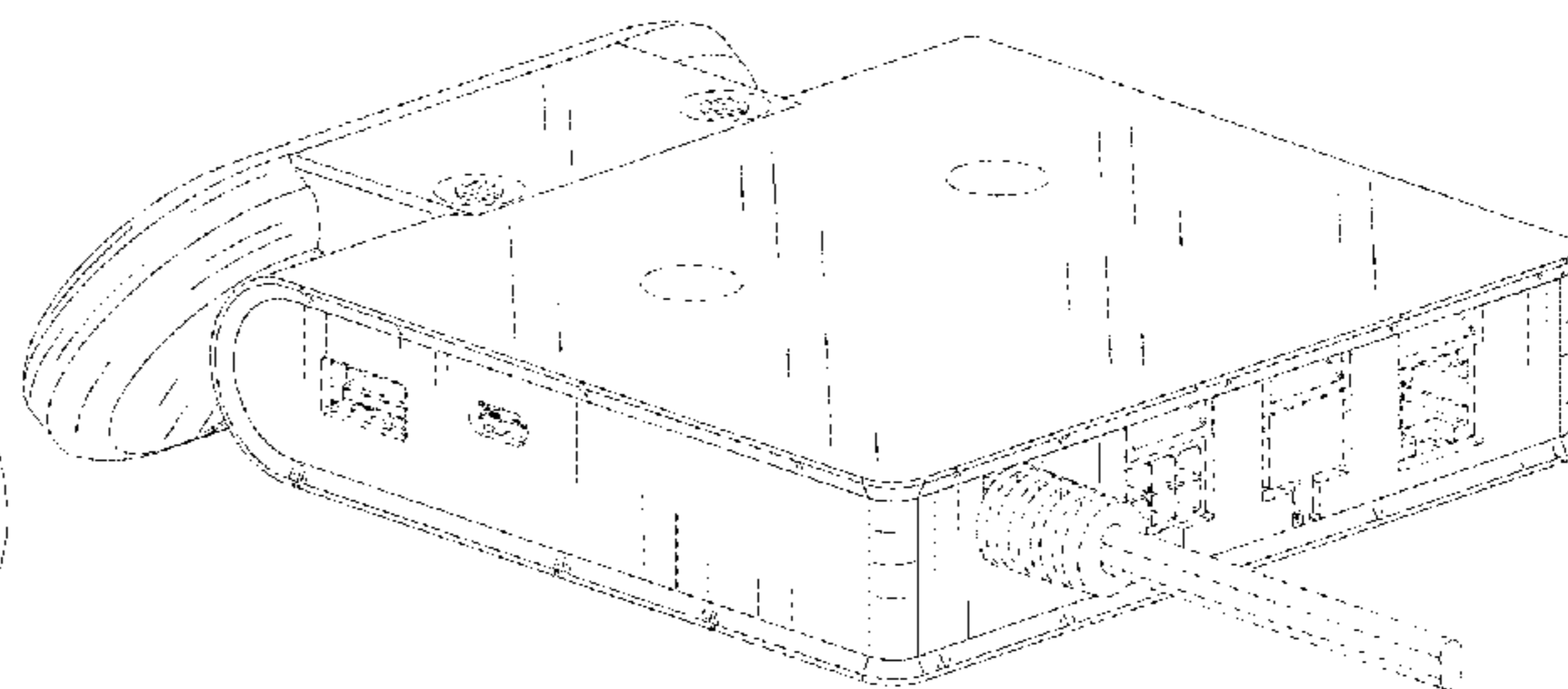
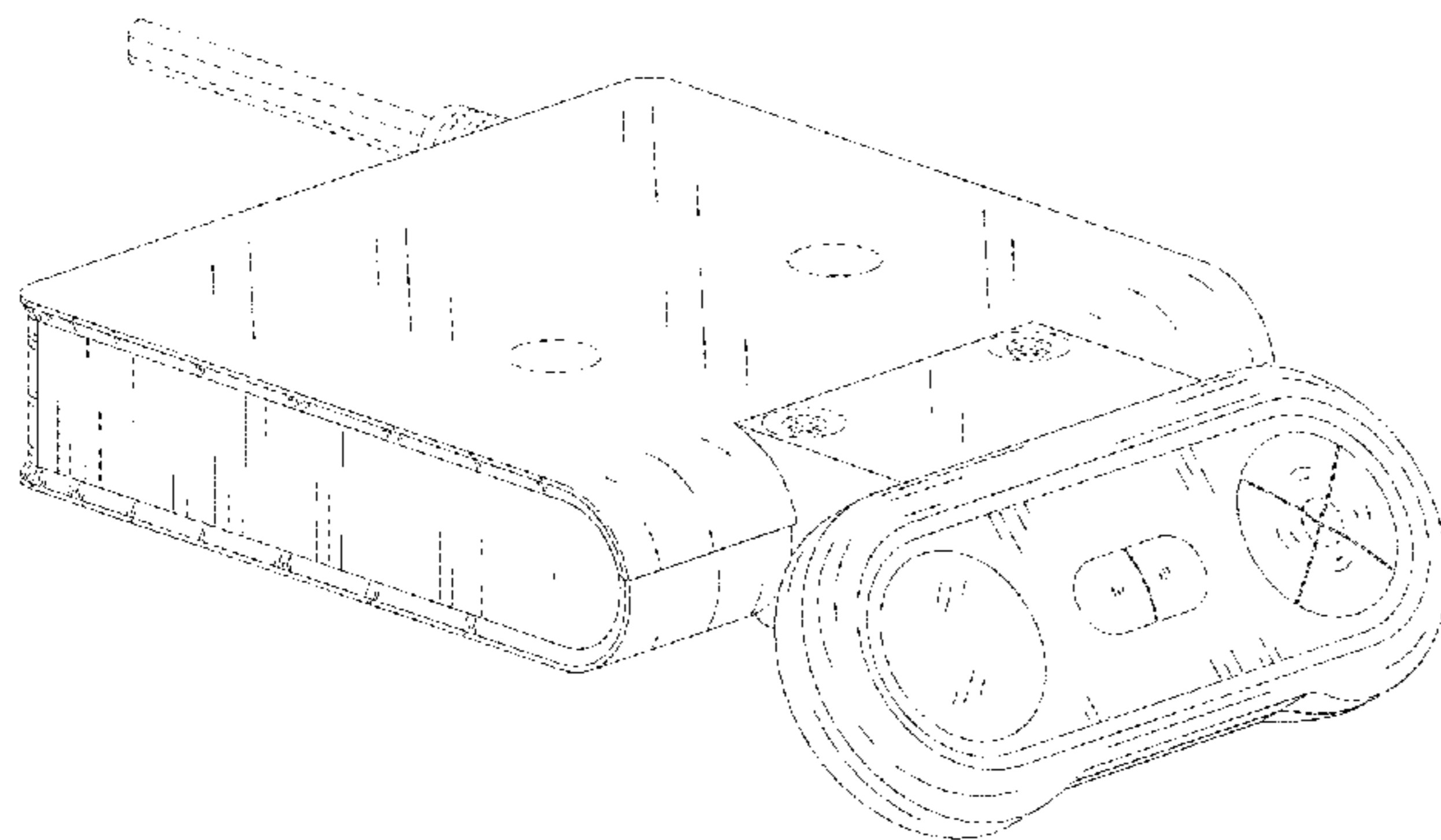
(57) **CLAIM**

The ornamental design for a controller, as shown and described.

DESCRIPTION

FIG. 1 is a front perspective view of the controller embodying the new design;
FIG. 2 is a rear perspective view thereof;
FIG. 3 is a front view thereof;
FIG. 4 is a rear view thereof;
FIG. 5 is a top view thereof;
FIG. 6 is a bottom view thereof;
FIG. 7 is a left side view thereof; and,
FIG. 8 is a right view thereof.
Features illustrated in broken or dashed lines form no part of the claimed design.

1 Claim, 8 Drawing Sheets



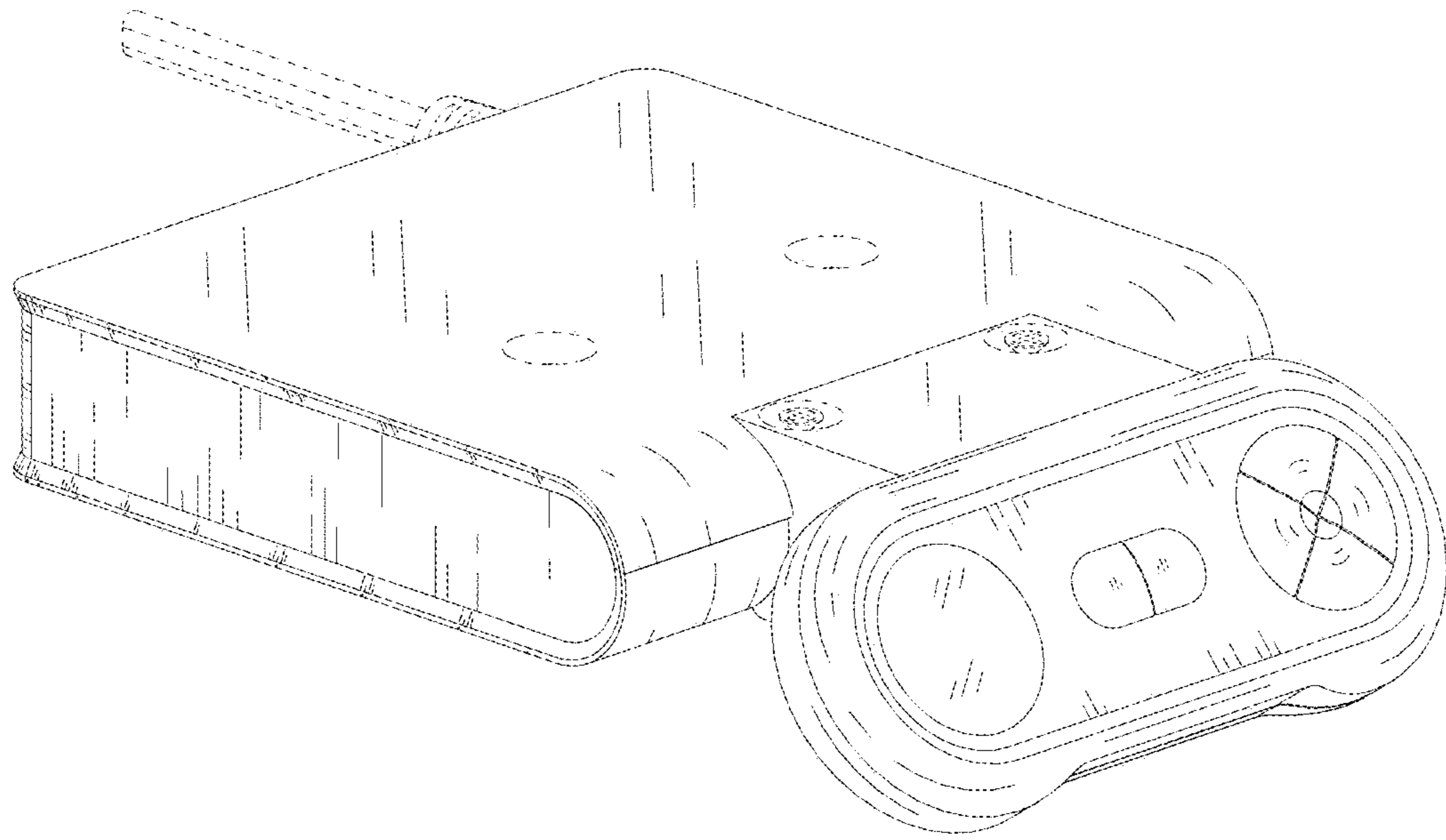


Fig. 1

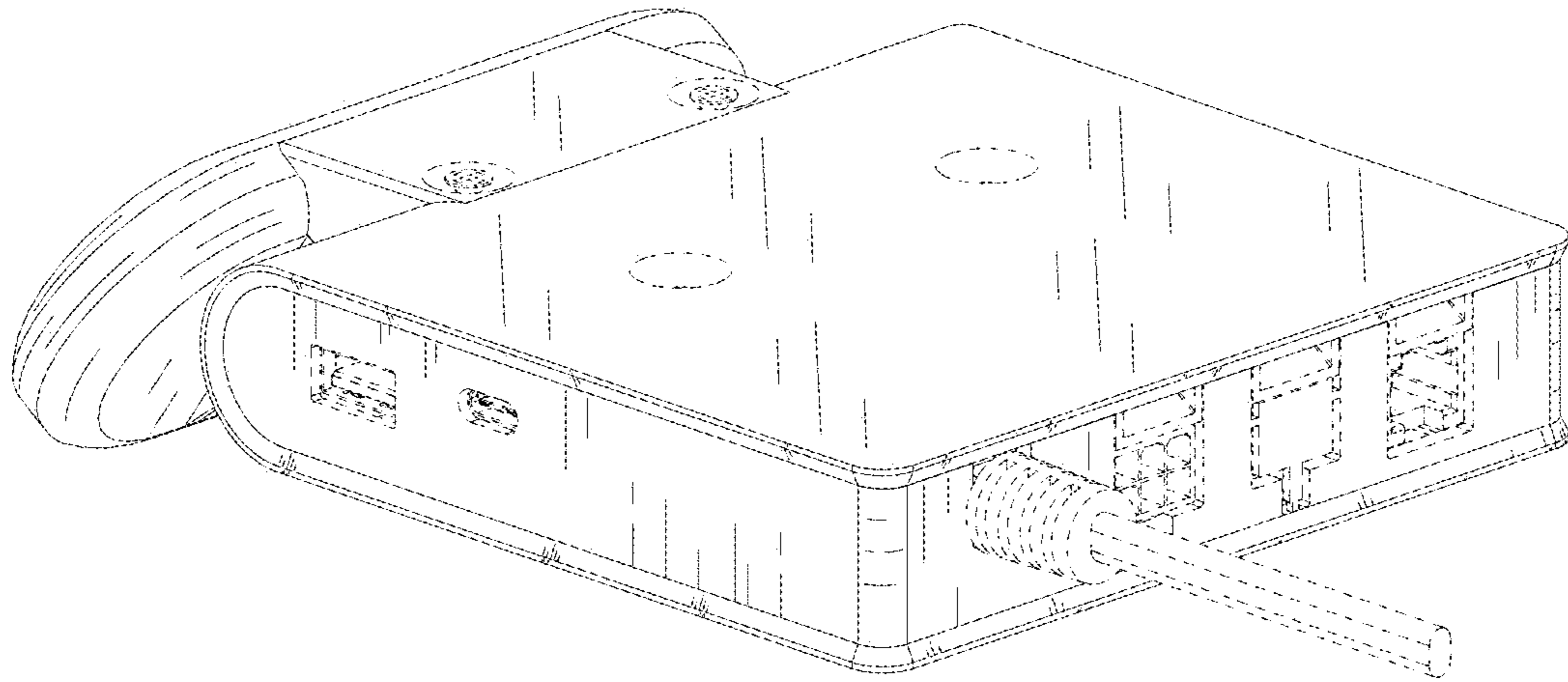


Fig. 2

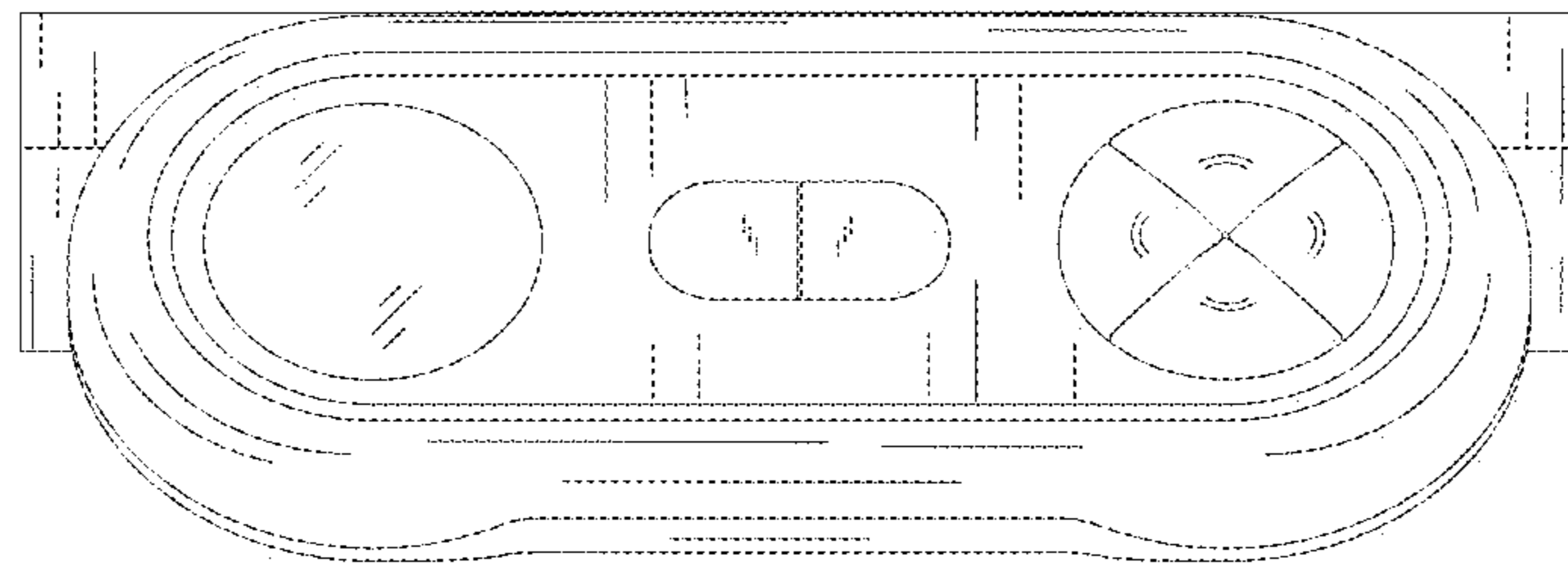


Fig. 3

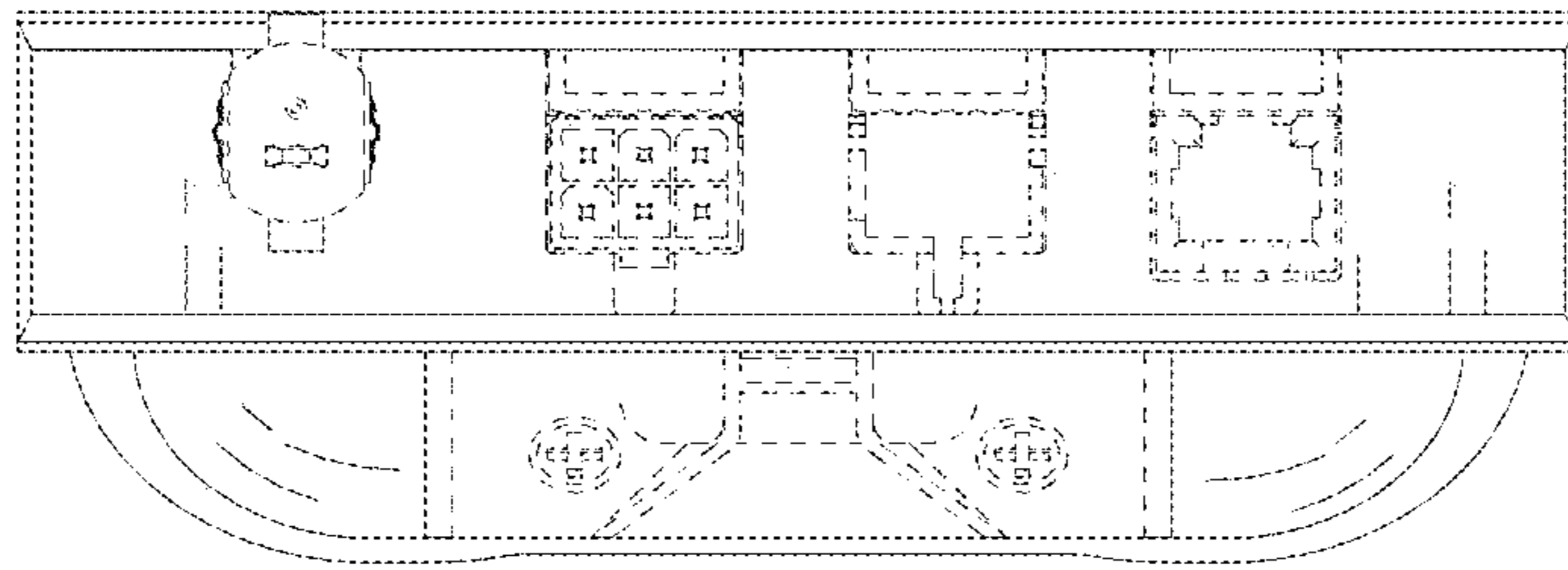


Fig. 4

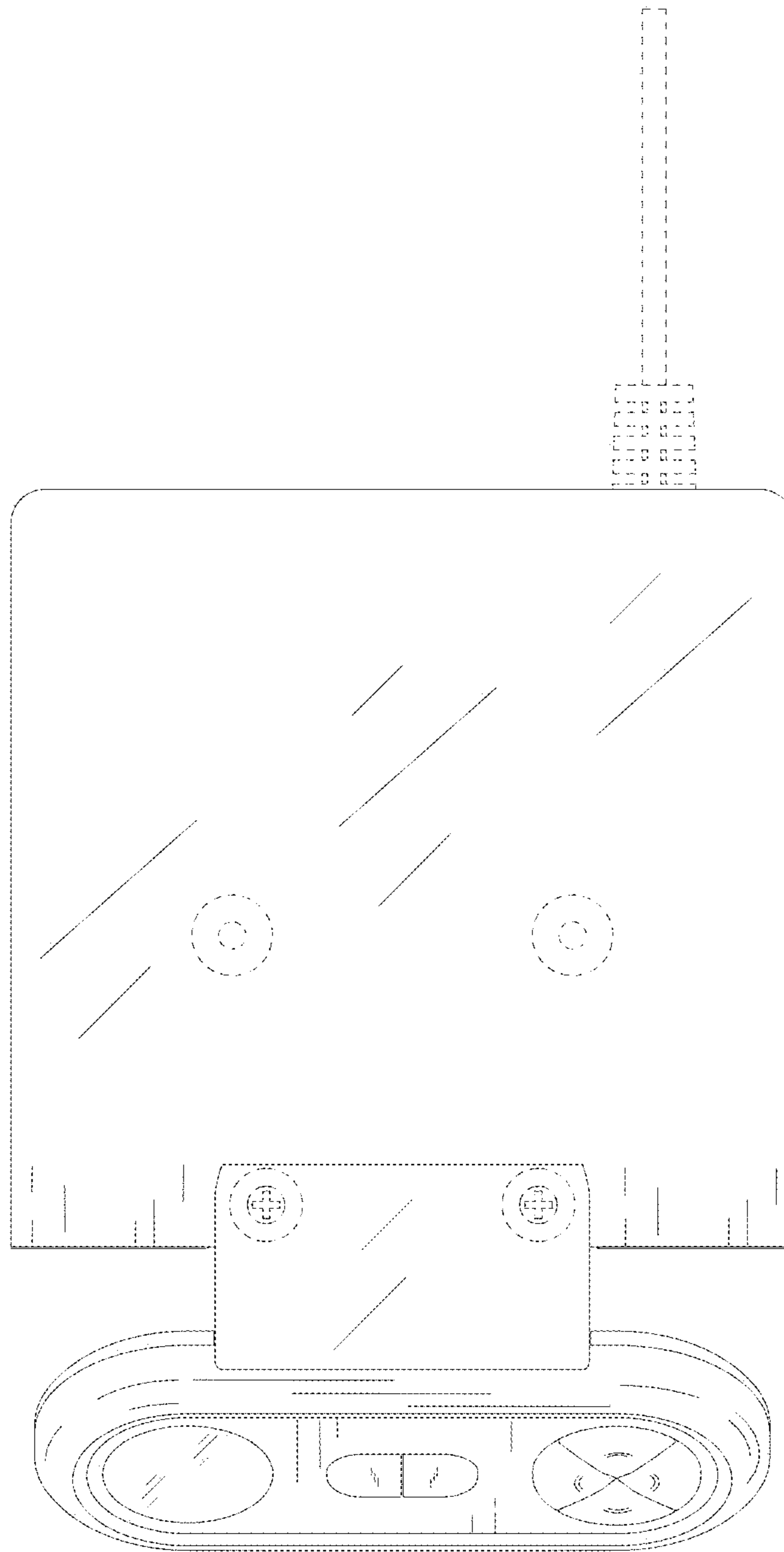


Fig. 5

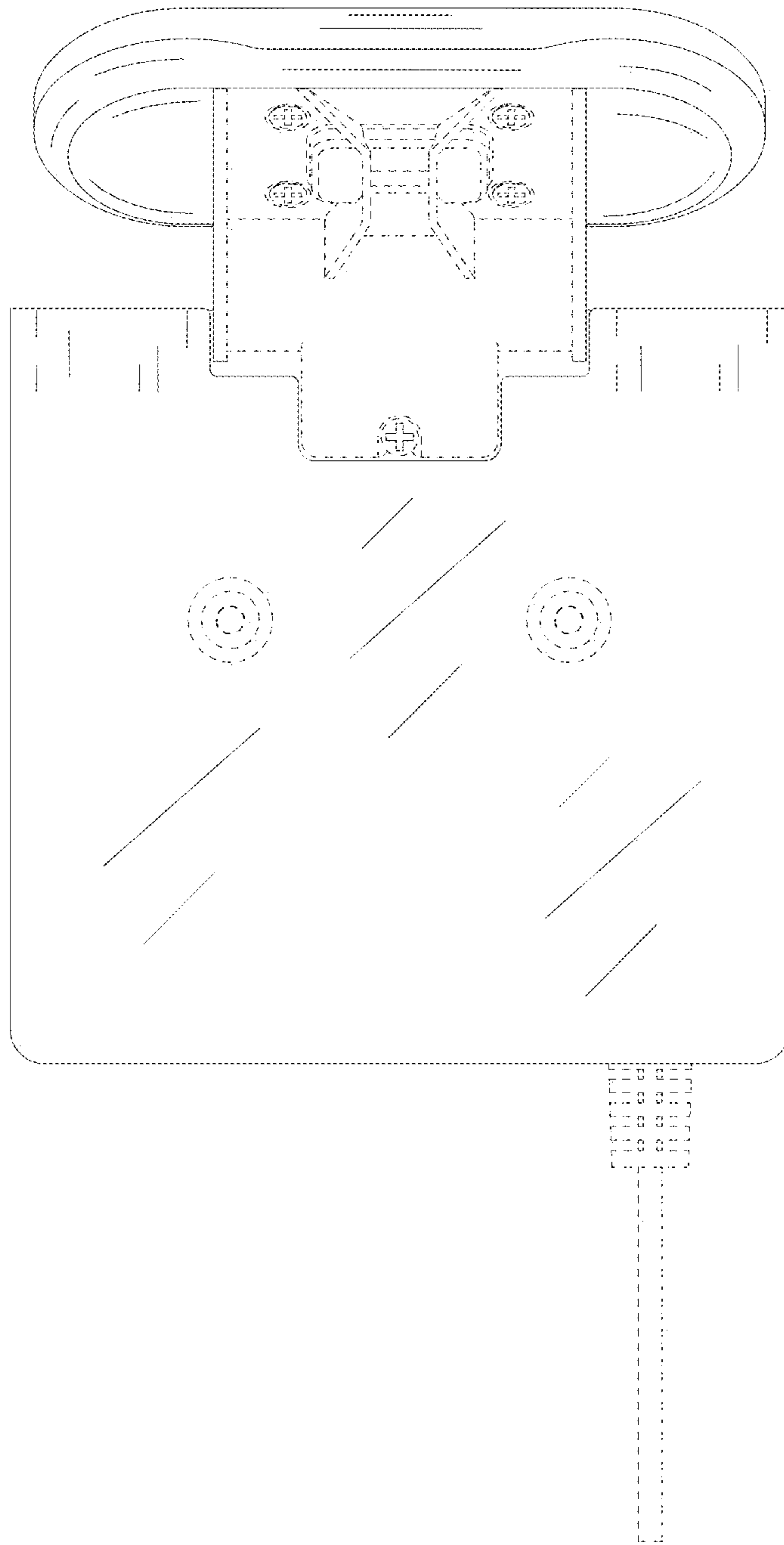


Fig. 6

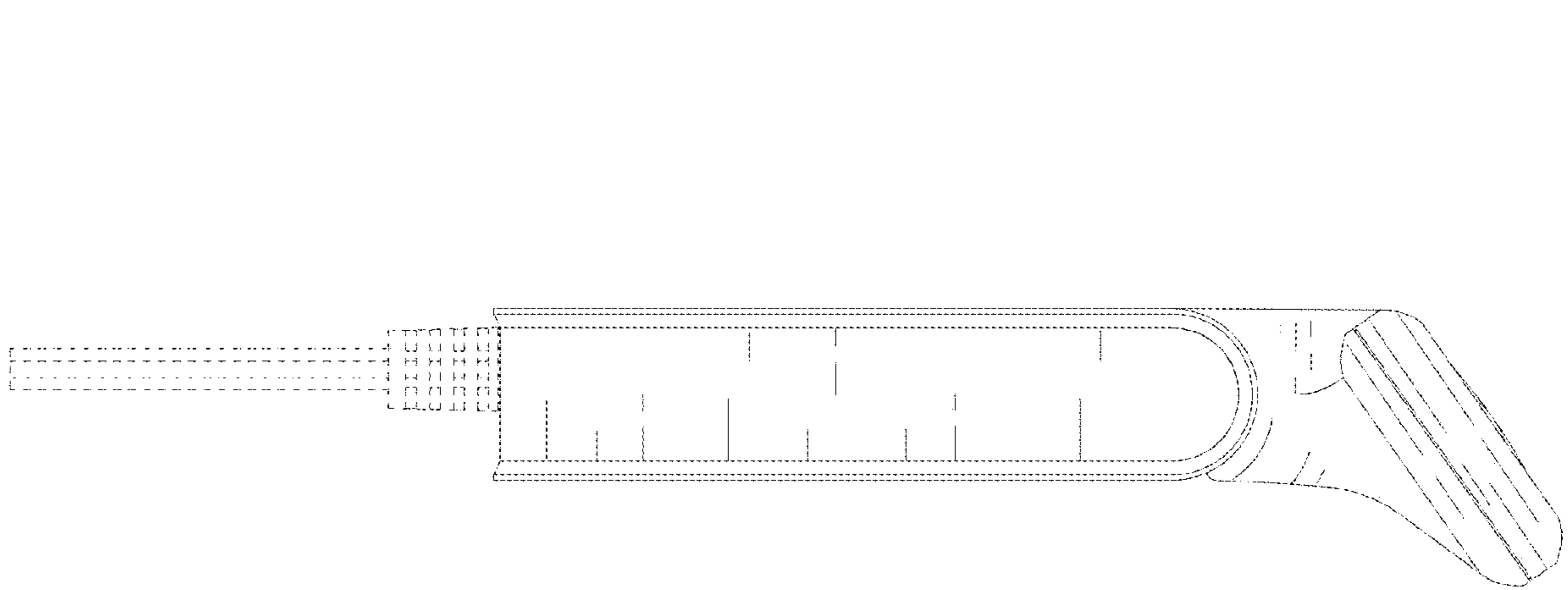


Fig. 7

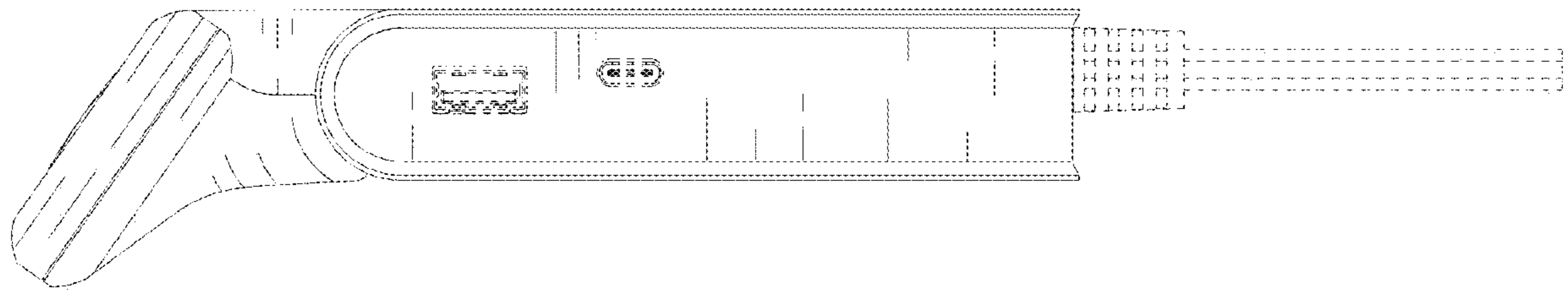


Fig. 8