



US00D984967S

(12) **United States Design Patent**  
**Jhun et al.**

(10) **Patent No.:** **US D984,967 S**

(45) **Date of Patent:** **\*\* May 2, 2023**

(54) **CABLE CONNECTOR**

(71) Applicant: **Crestron Electronics, Inc.**, Rockleigh,  
NJ (US)

(72) Inventors: **Sae Jhun**, Bayside, NY (US); **Wendy  
Feldstein**, Old Tappan, NJ (US)

(73) Assignee: **Crestron Electronics, Inc.**, Rockleigh,  
NJ (US)

(\*\*) Term: **15 Years**

(21) Appl. No.: **29/794,827**

(22) Filed: **Jun. 15, 2021**

(51) **LOC (14) Cl.** ..... **13-03**

(52) **U.S. Cl.**  
USPC ..... **D13/133**

(58) **Field of Classification Search**  
USPC ... D13/133, 101, 123, 146, 147, 153, 137.1,  
D13/149, 139.8; D14/433, 435.1  
CPC .... G02B 6/38; G02B 6/38875; G02B 6/4284;  
H01R 13/40; H01R 13/58; H01R 13/627;  
H01R 13/66; H01R 13/6335; H01R  
13/6272; H01R 13/6397; H01R 13/639;  
H01R 13/6275; H01R 31/06; H01R  
24/00; H01R 24/64; H01R 43/26  
See application file for complete search history.

(56) **References Cited**

**U.S. PATENT DOCUMENTS**

5,153,988	A	*	10/1992	Mattis	.....	H01R 13/52 174/76
D692,390	S	*	10/2013	Smith	.....	D13/133
D800,730	S	*	10/2017	Liao	.....	D14/433
D830,366	S	*	10/2018	Turksu	.....	D14/433
D855,616	S	*	8/2019	Chin	.....	D14/433
D864,208	S	*	10/2019	Duan	.....	D14/433
D864,964	S	*	10/2019	Lyu	.....	D14/433
D866,557	S	*	11/2019	Xiong	.....	D14/433
D880,480	S	*	4/2020	Liao	.....	D14/433
D885,394	S	*	5/2020	Duan	.....	D14/433

D886,105	S	*	6/2020	Duan	.....	D14/433
D890,181	S	*	7/2020	Liu	.....	D14/433
D891,433	S	*	7/2020	Chin	.....	D14/433
D895,551	S	*	9/2020	Turksu	.....	D13/133
D896,185	S	*	9/2020	Turksu	.....	D14/433
D908,095	S	*	1/2021	Turksu	.....	D14/433

(Continued)

**OTHER PUBLICATIONS**

USB C Hub for MacBook Pro Adapter, available in Amazon.com,  
date first available May 16, 2020[online], [site visited Dec. 21,  
2022], Available from the internet URL: <https://www.amazon.com/dp/B088PQ3LV4/> (Year: 2020).\*

(Continued)

*Primary Examiner* — S. Bryan Reinholdt, Jr.

*Assistant Examiner* — Leah E Hoferkamp

(74) *Attorney, Agent, or Firm* — Crestron Electronics,  
Inc.

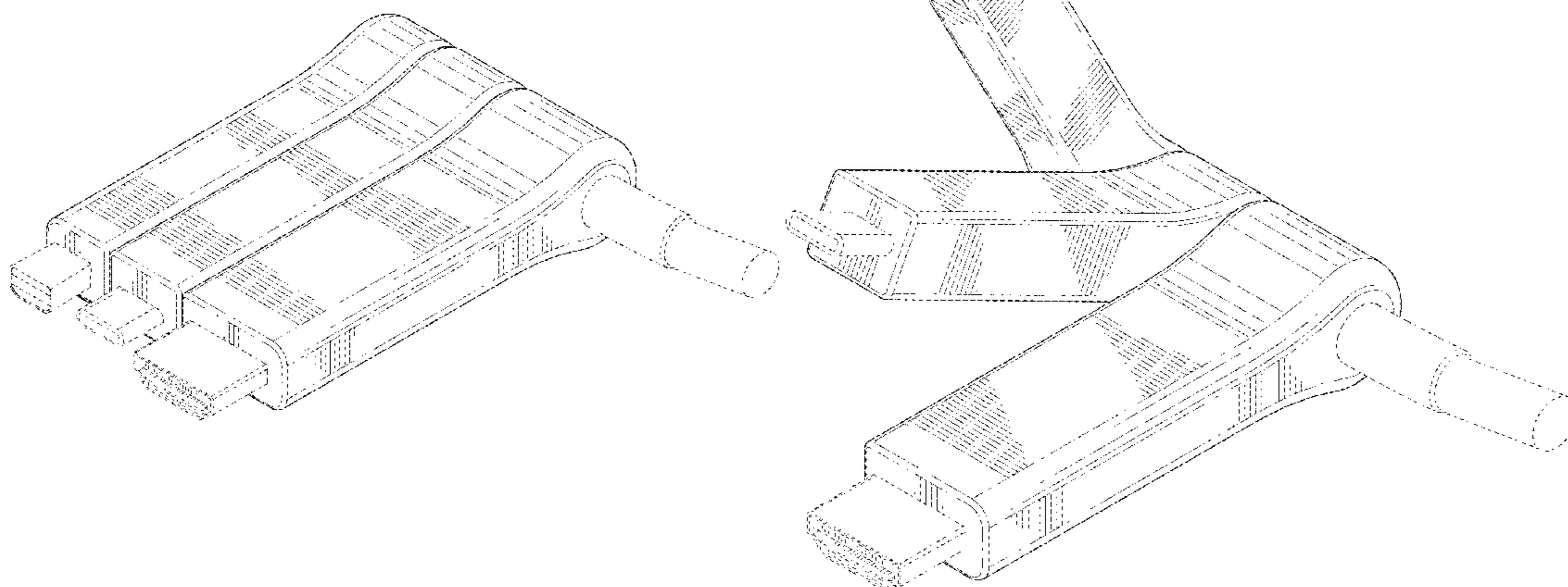
(57) **CLAIM**

The ornamental design for a cable connector, as shown and  
described.

**DESCRIPTION**

FIG. 1 is a top-right perspective view of a cable connector  
according to our new design;  
FIG. 2 is another top-right perspective view thereof;  
FIG. 3 is a top-right perspective view shown in a state of use  
thereof;  
FIG. 4 is a front elevation view thereof;  
FIG. 5 is a back elevation view thereof;  
FIG. 6 is a right elevation view thereof;  
FIG. 7 is a left elevation view thereof;  
FIG. 8 is a top plan view thereof; and,  
FIG. 9 is a bottom plan view thereof.  
The broken lines in the drawings illustrate portions of the  
article and environmental subject matter that form no part of  
the claimed design.

**1 Claim, 6 Drawing Sheets**



(56)

**References Cited**

U.S. PATENT DOCUMENTS

D910,578 S *	2/2021	Turksu .....	D14/433
D920,256 S *	5/2021	Turksu .....	D13/147
D924,239 S *	7/2021	Yang .....	D14/434
D924,874 S *	7/2021	Yang .....	D14/434
D942,395 S *	2/2022	Wu .....	D13/133
D943,532 S *	2/2022	Zhang .....	D13/133
D945,369 S *	3/2022	Zhang .....	D13/133
D947,129 S *	3/2022	Zhang .....	D13/133
D954,059 S *	6/2022	Zhang .....	D14/433
D960,164 S *	8/2022	Yang .....	D14/433
D960,165 S *	8/2022	Yang .....	D14/433
D970,506 S *	11/2022	Yoo .....	D13/133

OTHER PUBLICATIONS

“5+ Must See USB-C iPad Pro Accessories”, <https://www.iphoneness.com/lists/usb-c-accessories-ipad-pro-2018/>.

“24W Dual USB-A Wall Charger + Lightning to USB-A Cable | Belkin”, <https://www.belkin.com/uschargers/wall/boost-charge-dual-usb-a-wall-charger-24w-lightning-to-usb-a-cable/p/p-wcd001/>.

“Type-C USB 3.0 Micro\_SD Card Reader—Satechi”, <https://satechi.net/products/satechi-aluminum-type-c-usb-3-0-and-micro-sd-card-reader-for-type-c-devices?variant=27068771401>.

\* cited by examiner

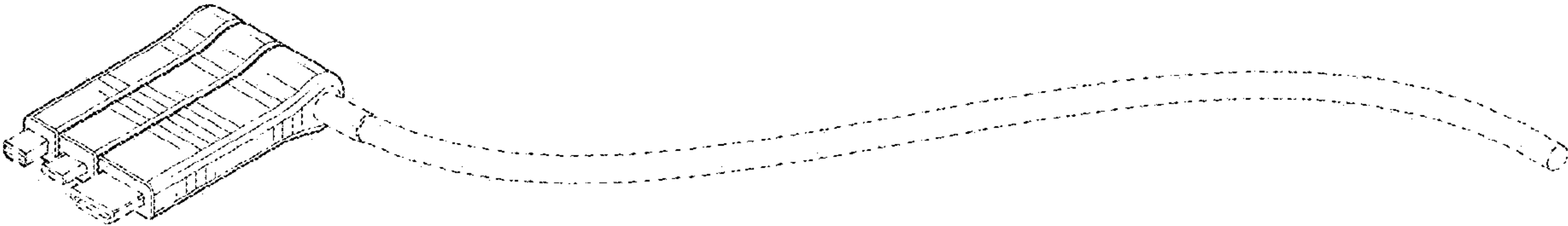


FIG. 1

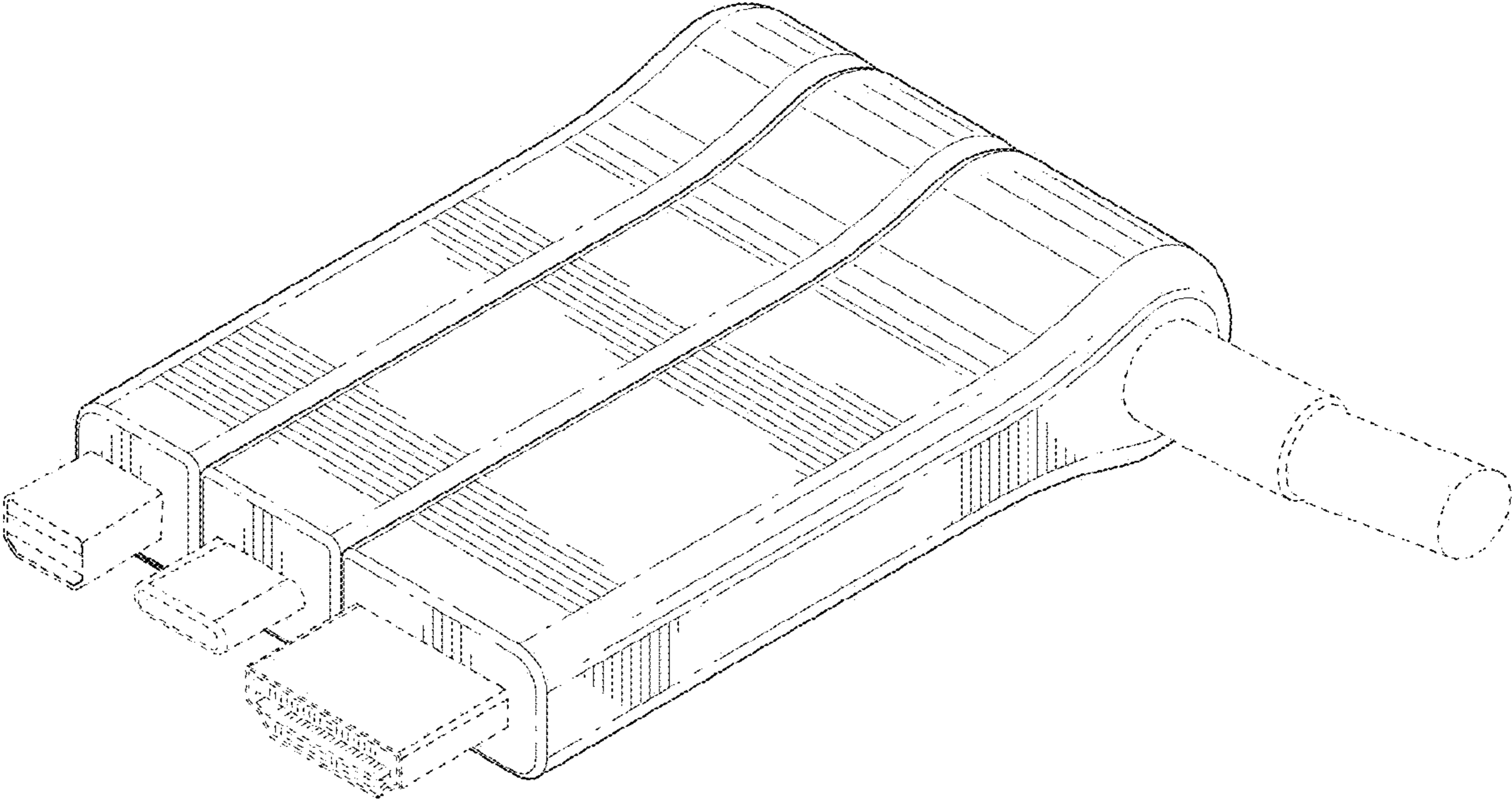


FIG. 2

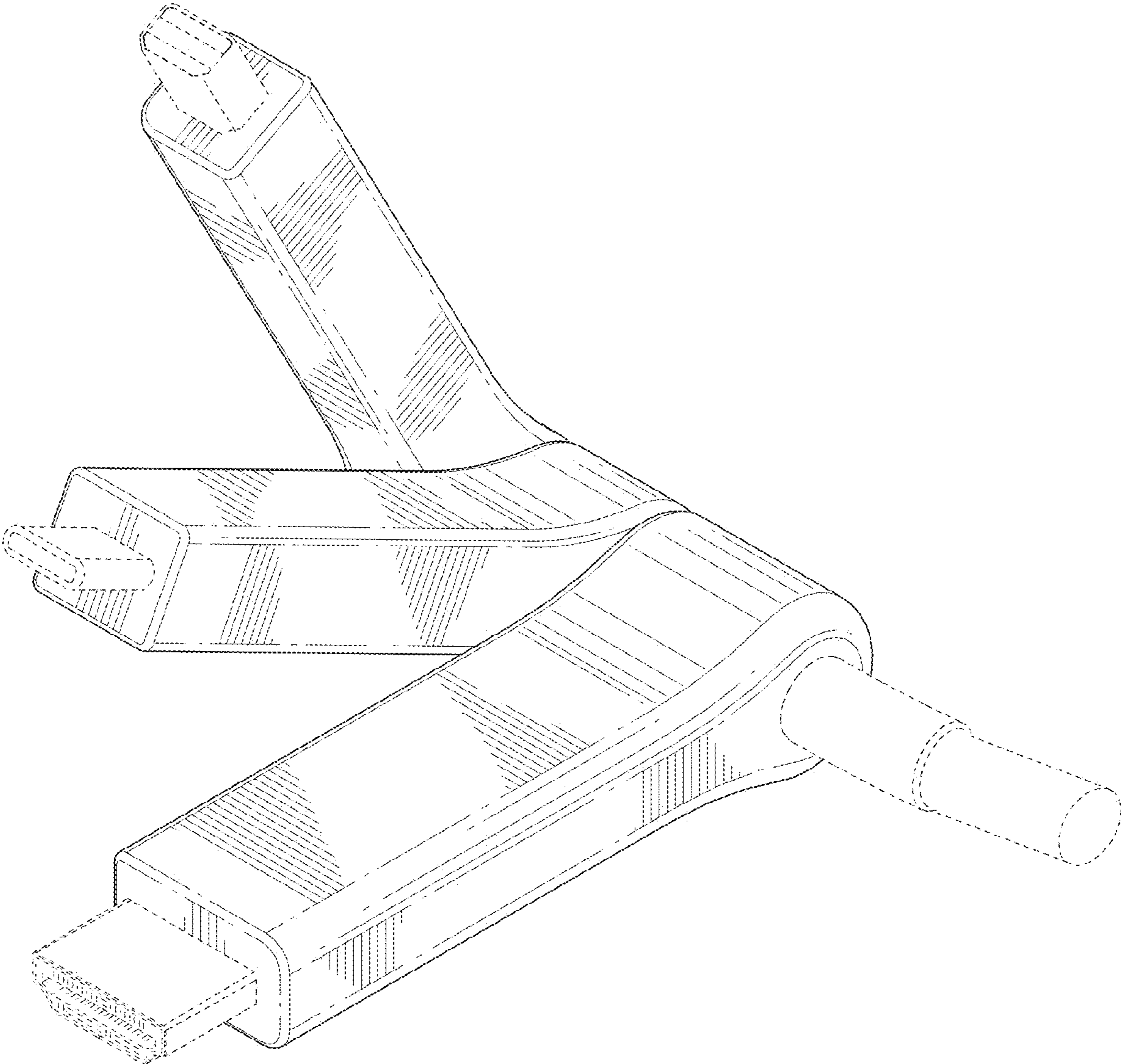


FIG. 3

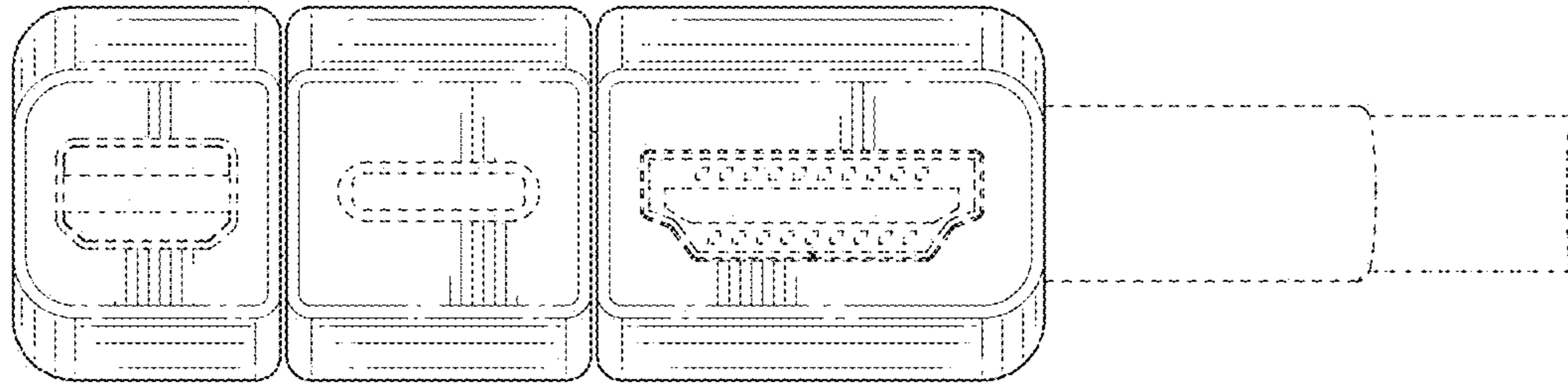


FIG. 4

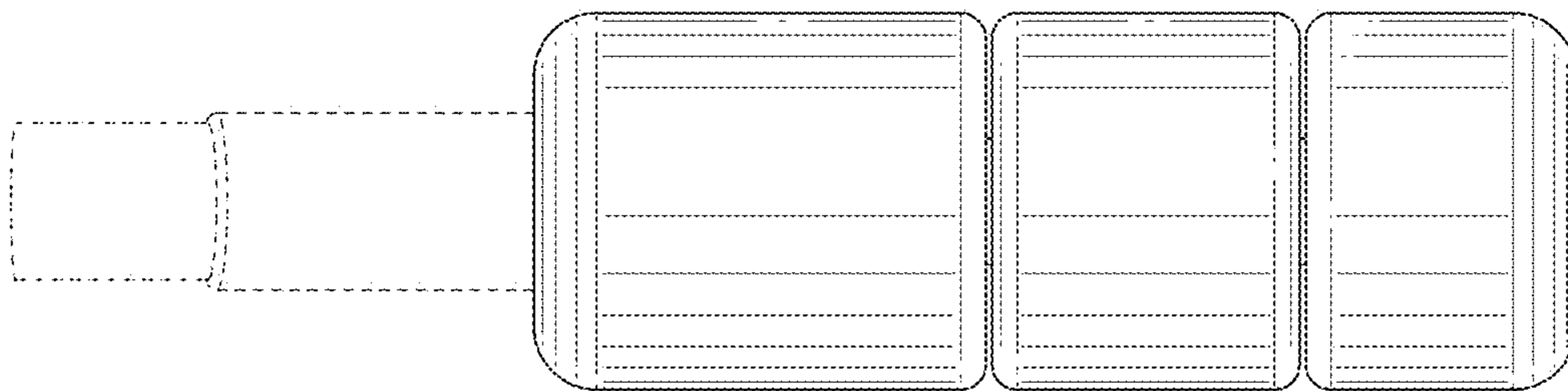


FIG. 5

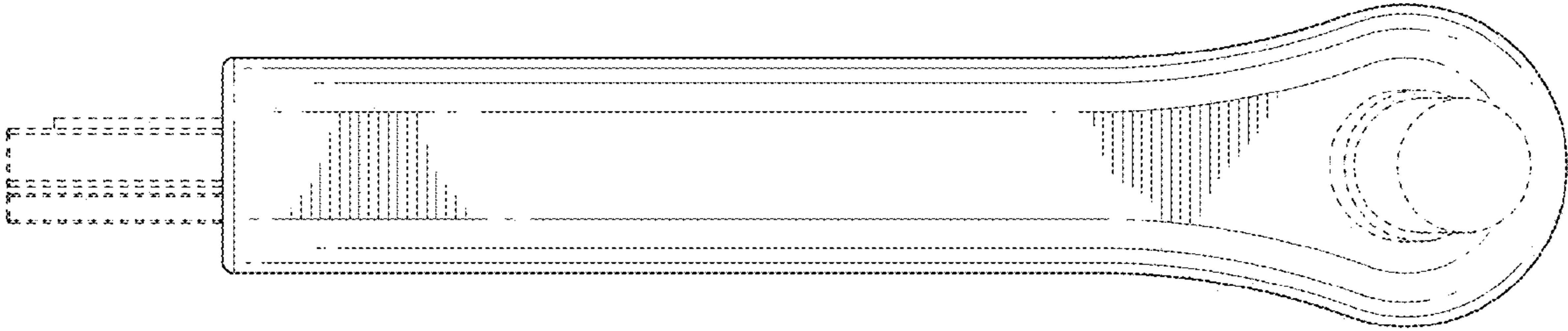


FIG. 6

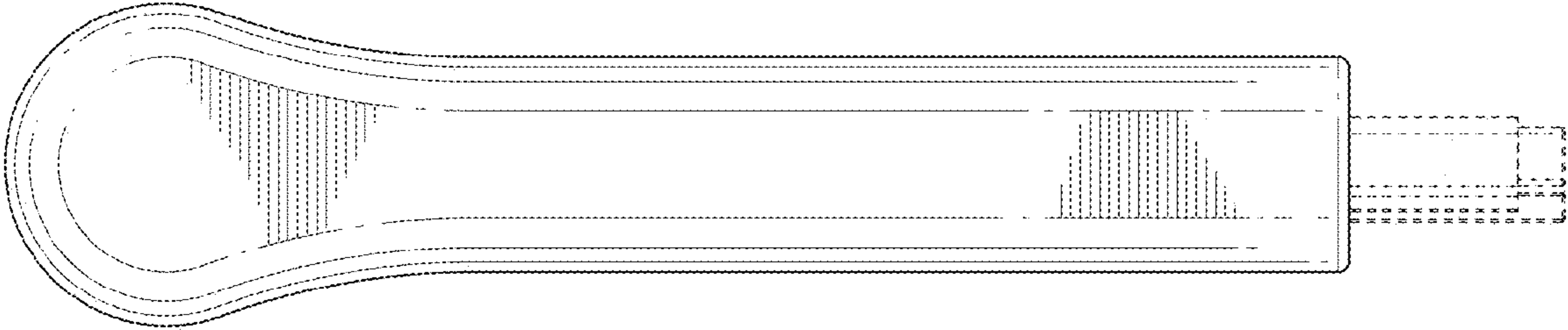


FIG. 7

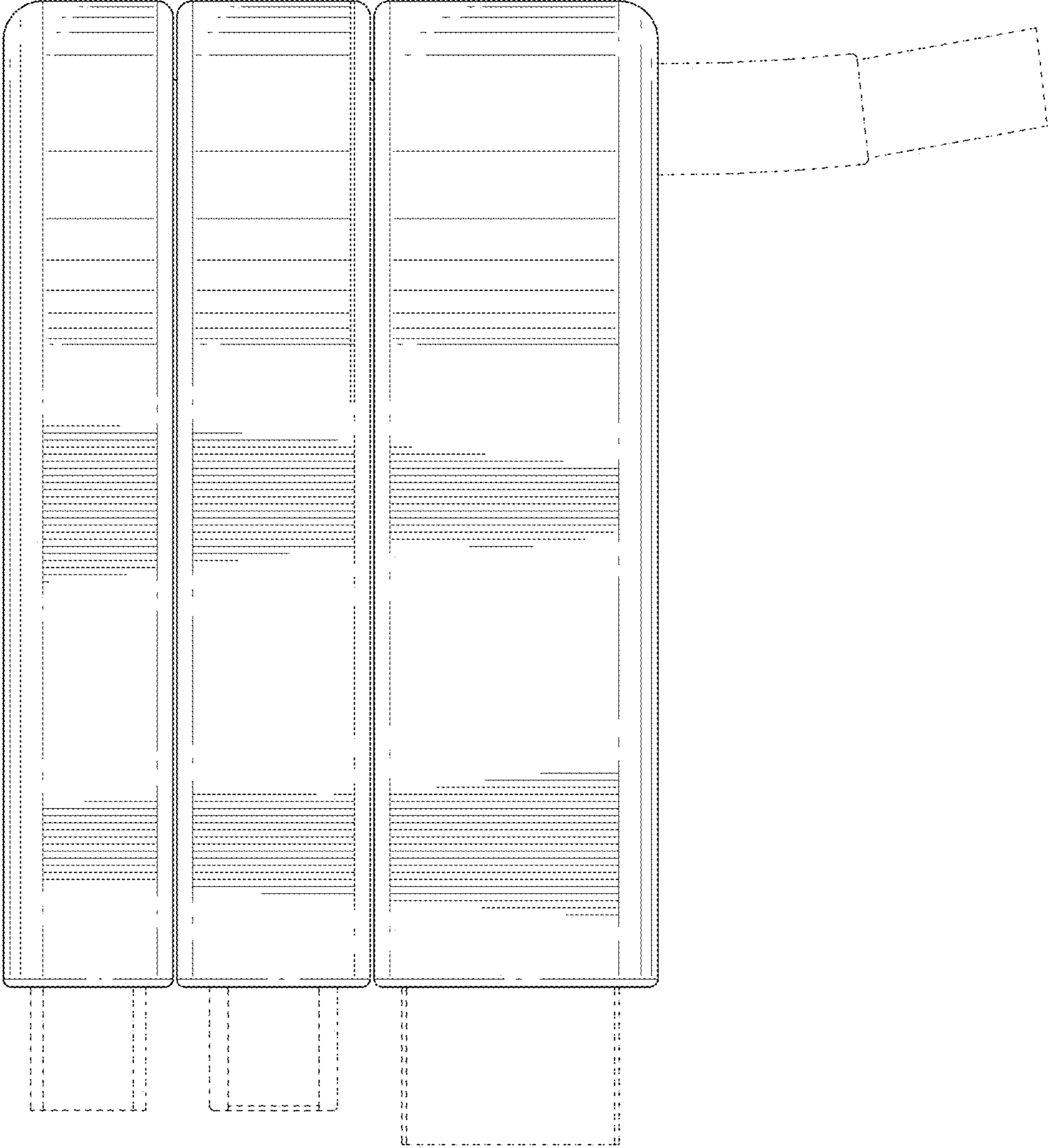


FIG.8

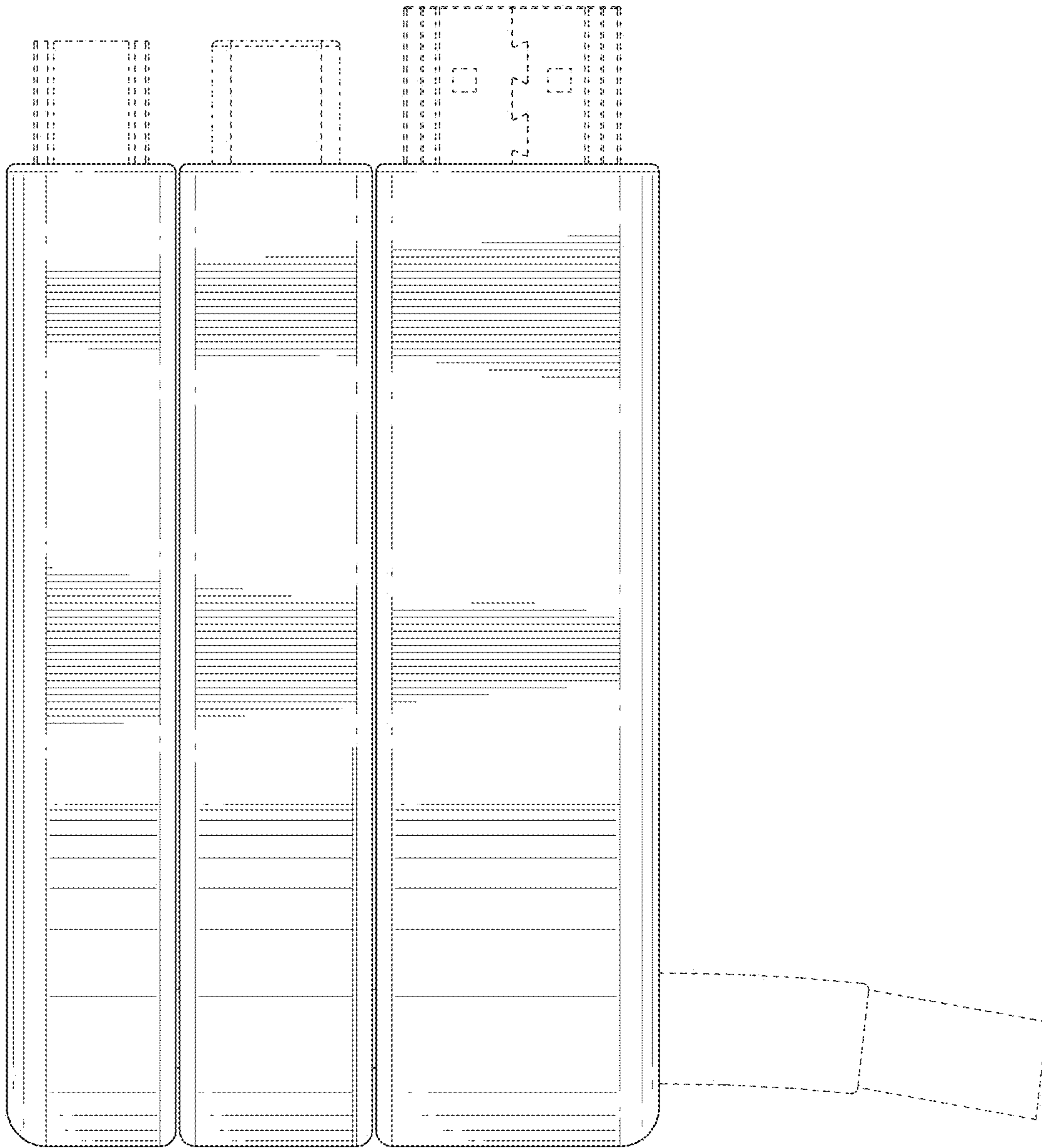


FIG. 9