



US00D984966S

(12) **United States Design Patent**
Desai et al.

(10) **Patent No.:** **US D984,966 S**

(45) **Date of Patent:** **** May 2, 2023**

(54) **CONNECTOR**

(71) Applicant: **Molex, LLC**, Lisle, IL (US)

(72) Inventors: **Ravikanth Desai**, Bengaluru (IN);
Narayan Mithun, Bengaluru (IN);
Kalidindi Ramesh Raju, Bengaluru (IN);
Debashis Sarkar, Bengaluru (IN);
Rahul Bhaskar, Bengaluru (IN); **Gang Nie**, Dongguan (CN)

(73) Assignee: **Molex, LLC**, Lisle, IL (US)

(**) Term: **15 Years**

(21) Appl. No.: **29/783,144**

(22) Filed: **May 11, 2021**

(51) **LOC (14) Cl.** **13-03**

(52) **U.S. Cl.**
USPC **D13/133**

(58) **Field of Classification Search**
USPC ... D13/133, 101, 123, 146, 147, 153, 137.1,
D13/149
CPC G02B 6/38; G02B 6/38875; G02B 6/4284;
H01R 13/40; H01R 13/58; H01R 13/627;
H01R 13/66; H01R 31/06; H01R 24/00
See application file for complete search history.

(56) **References Cited**

U.S. PATENT DOCUMENTS

D366,242 S *	1/1996	Goto	D13/147
D412,883 S *	8/1999	Nakazawa	D13/146
D431,023 S *	9/2000	Yip	D13/133
D486,794 S *	2/2004	Okamoto	D13/147
8,052,335 B2 *	11/2011	Kasbeer-Betty	G02B 6/4284 385/14
D674,347 S *	1/2013	Shifris	D13/133

D754,606 S *	4/2016	Nook	D13/133
D901,392 S *	11/2020	Gonzalez	D13/147
D901,394 S *	11/2020	Gonzalez	D13/147
D906,249 S *	12/2020	Hasan	D13/137.1
D958,077 S *	7/2022	Desai	D13/133
D958,078 S *	7/2022	Desai	D13/133
D958,748 S *	7/2022	Desai	D13/133
D958,749 S *	7/2022	Desai	D13/133
D958,750 S *	7/2022	Desai	D13/133
D961,523 S *	8/2022	Gonzalez	D13/147

* cited by examiner

Primary Examiner — Christy Nemeth

Assistant Examiner — Leah E Hoferkamp

(74) *Attorney, Agent, or Firm* — Banner & Witcoff, Ltd.

(57) **CLAIM**

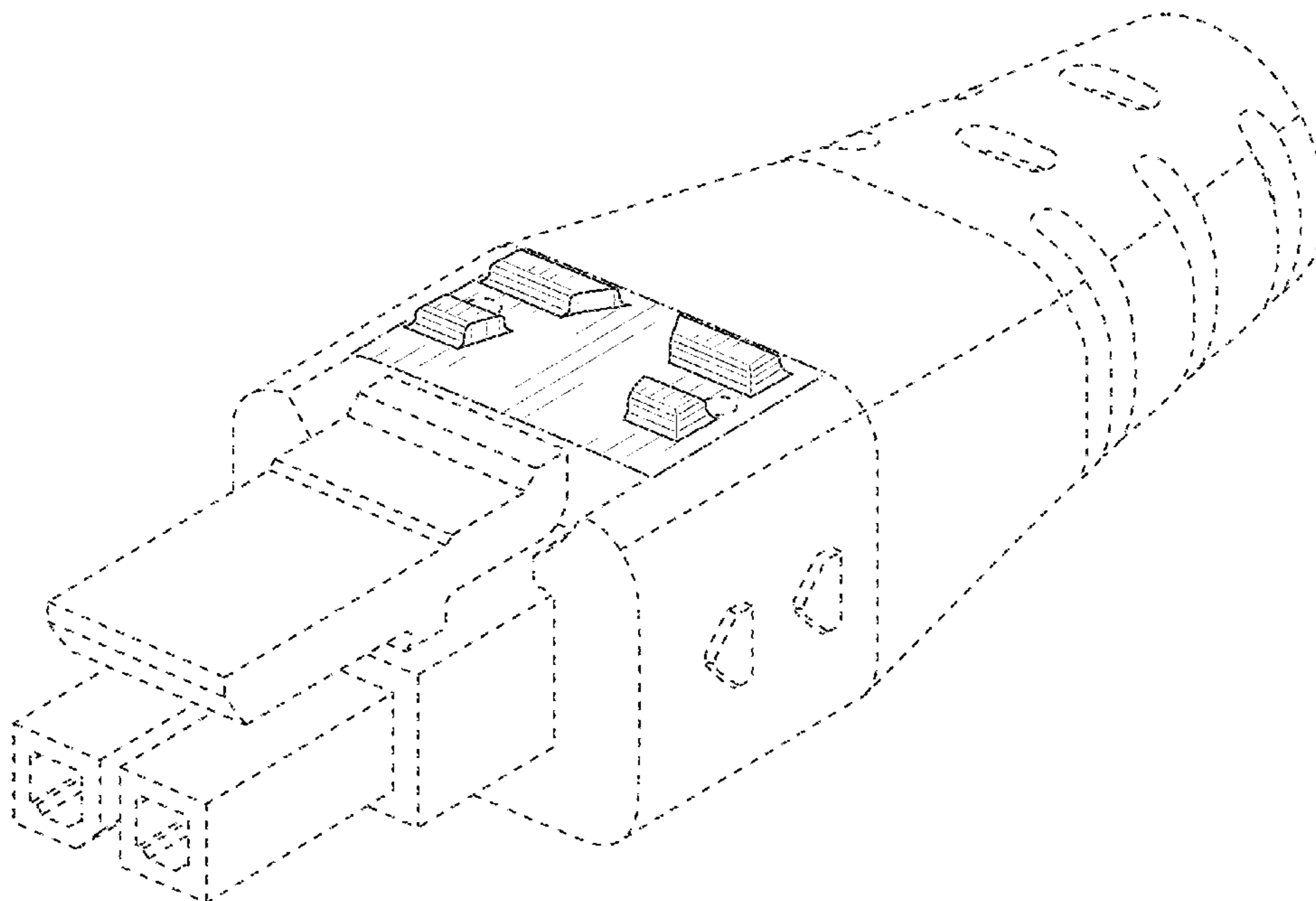
The ornamental design for a connector, as shown and described.

DESCRIPTION

FIG. 1 is a front perspective view of a connector showing our new design;
FIG. 2 is a top view thereof;
FIG. 3 is a bottom view thereof;
FIG. 4 is a front view thereof;
FIG. 5 is a rear view thereof;
FIG. 6 is a right side view thereof; and,
FIG. 7 is a left side view thereof.

The uneven-length broken line immediately adjacent to and surrounding the shaded area defines the bounds of the claimed design and forms no part thereof. The even-length broken lines depicting the remainder of the connector form no part of the claimed design.

1 Claim, 7 Drawing Sheets



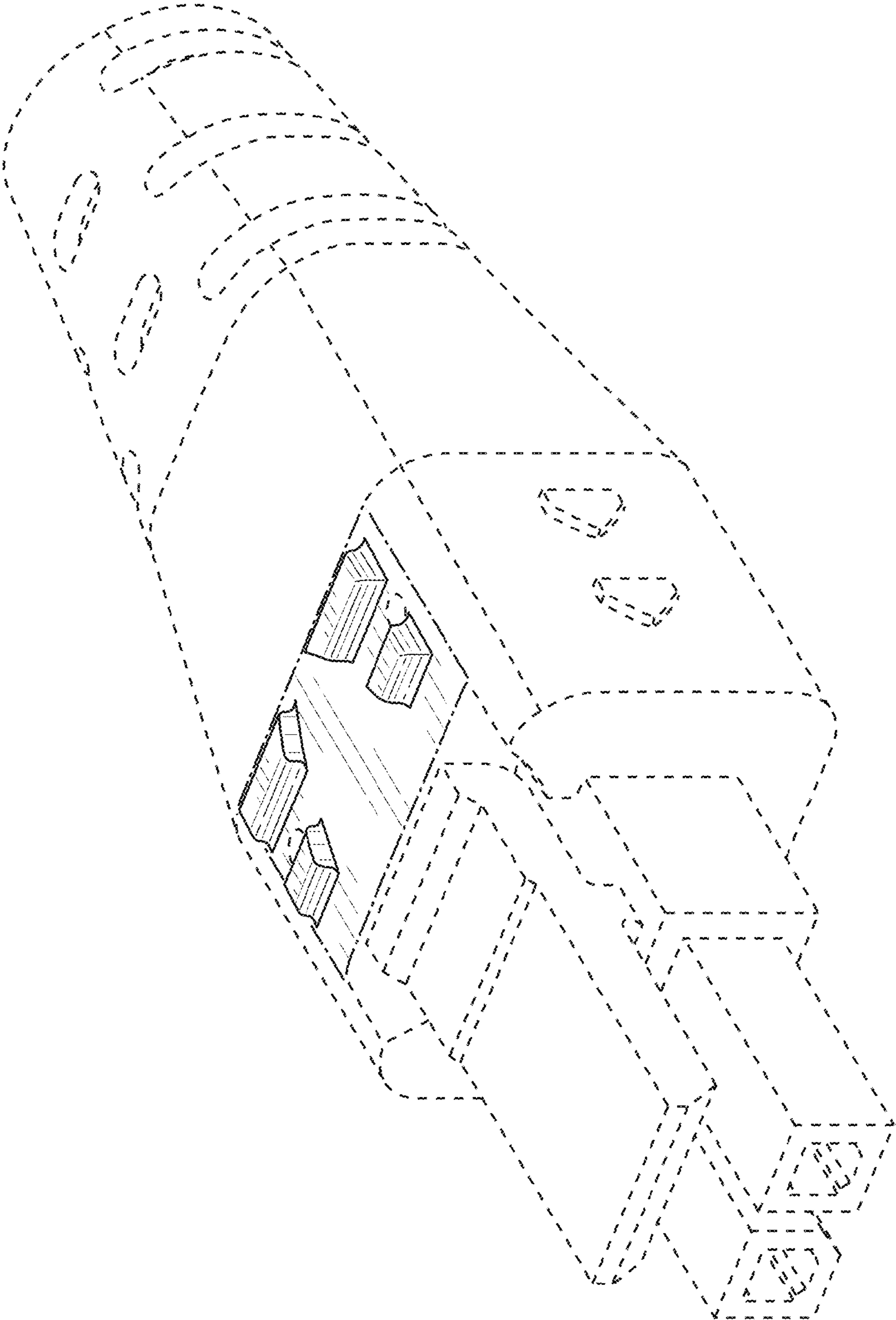


FIG. 1

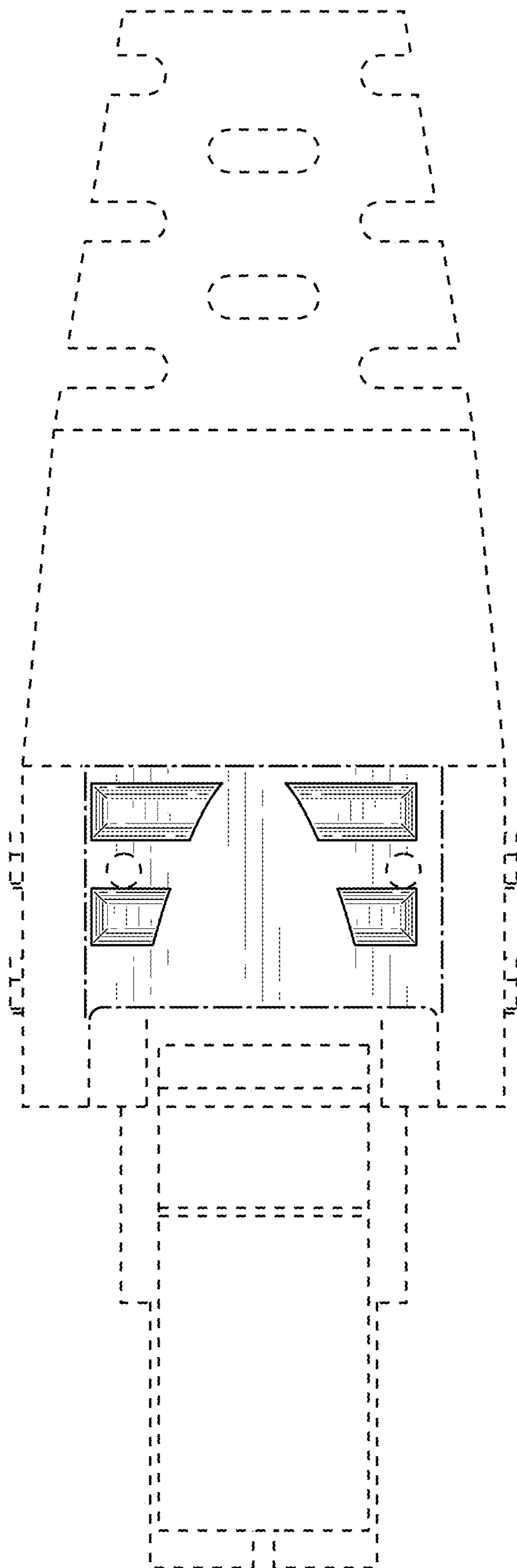


FIG. 2

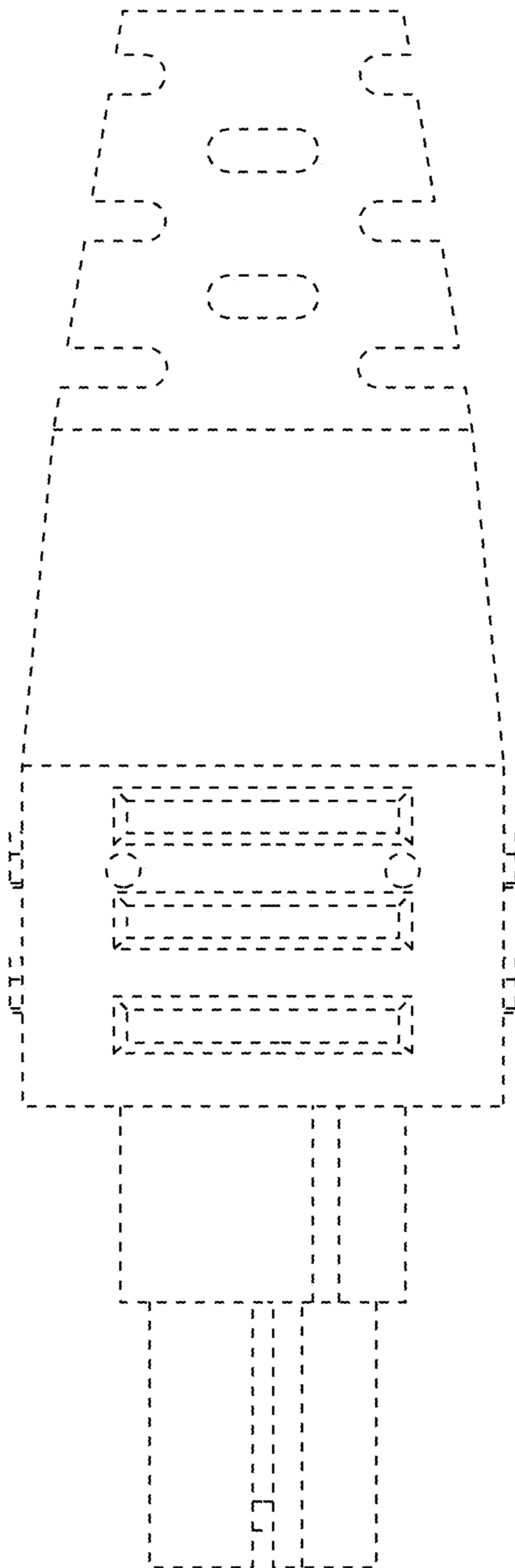


FIG. 3

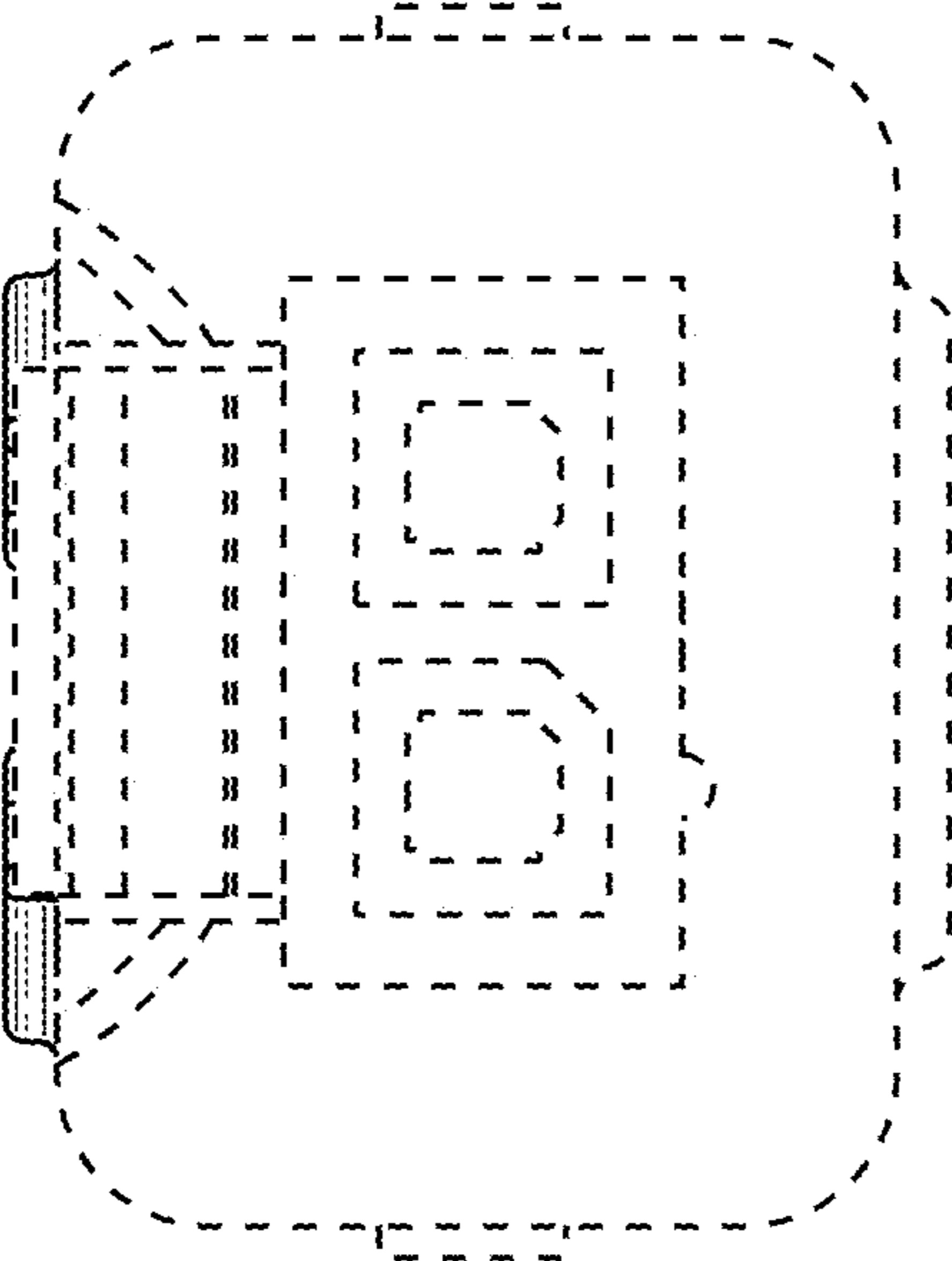


FIG. 4

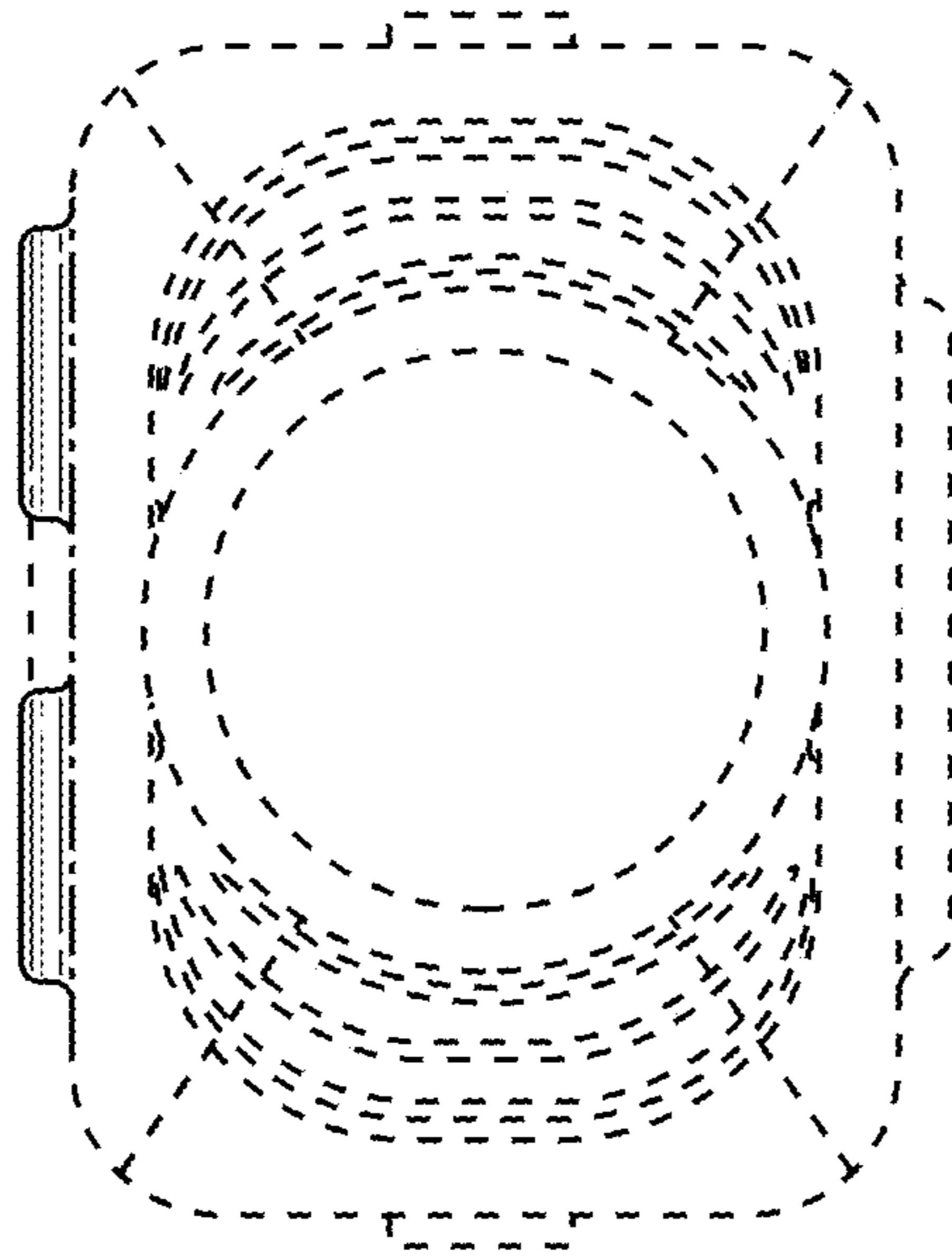


FIG. 5

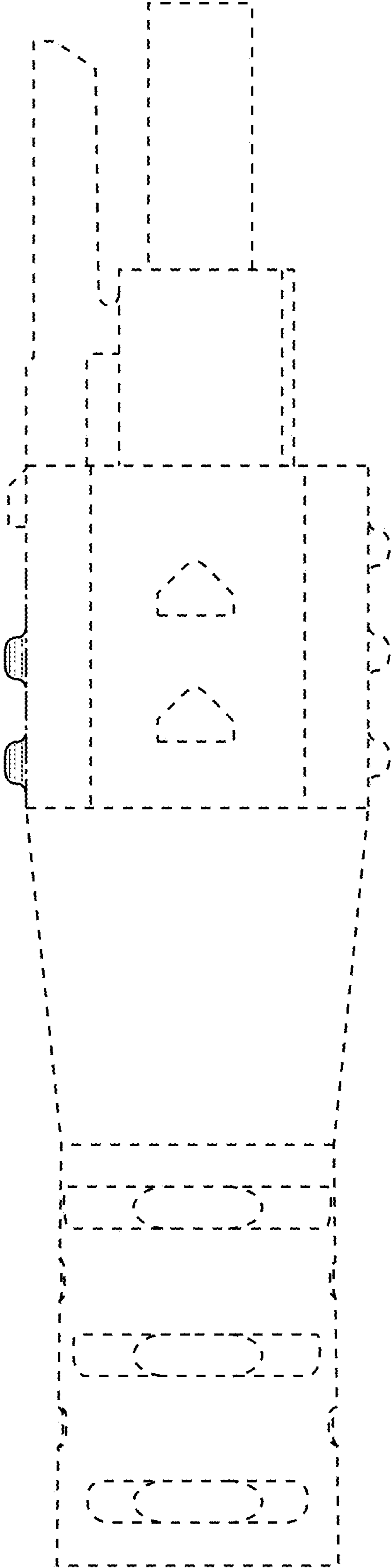


FIG. 6

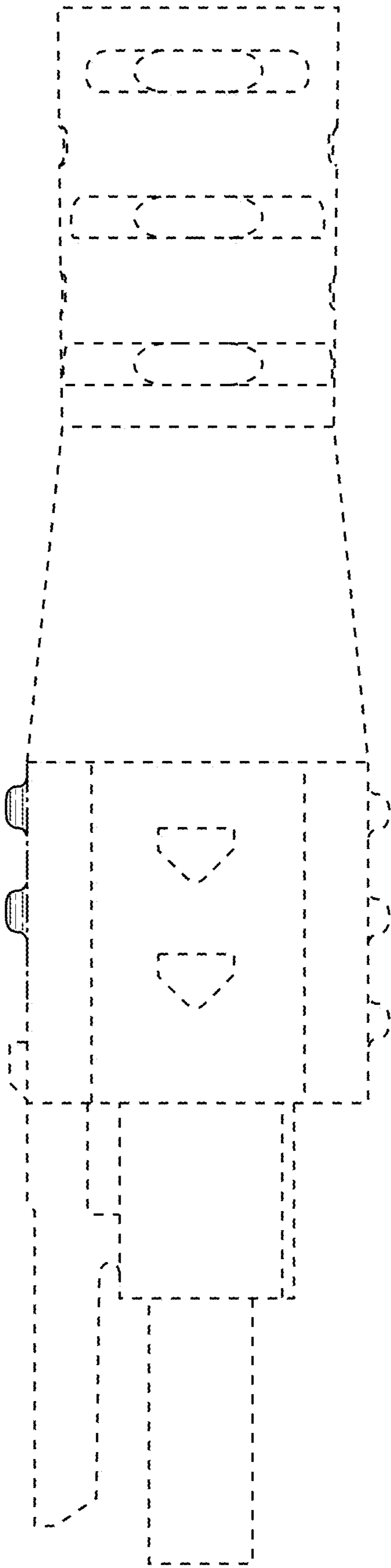


FIG. 7