



US00D984963S

(12) **United States Design Patent** (10) **Patent No.:** **US D984,963 S**
Ye (45) **Date of Patent:** **** May 2, 2023**

(54) **WIRELESS CHARGER**

CN 307724874 * 10/2022
CN 307756127 * 12/2022
CN 307782979 * 1/2023

(71) Applicant: **Qing Ye**, Xiamen (CN)

(72) Inventor: **Qing Ye**, Xiamen (CN)

(**) Term: **15 Years**

(21) Appl. No.: **29/798,427**

(22) Filed: **Jul. 8, 2021**

(51) **LOC (14) Cl.** **13-02**

(52) **U.S. Cl.**
USPC **D13/108**

(58) **Field of Classification Search**
USPC D13/103, 107, 108, 118, 119, 183;
D14/240, 251, 253, 356, 358, 432, 433,
D14/434, 447
CPC H02J 15/00; H02J 7/0044; H02J 7/0049;
H04B 1/3877; H04M 1/026
See application file for complete search history.

(56) **References Cited**

U.S. PATENT DOCUMENTS

| | | | | | |
|------------|---|---------|------------|-------|---------|
| D717,289 S | * | 11/2014 | Takabatake | | D14/423 |
| D920,237 S | * | 5/2021 | Huang | | D13/108 |
| D926,126 S | * | 7/2021 | DeMaio | | D13/108 |
| D931,209 S | * | 9/2021 | Hahn | | D13/108 |
| D931,211 S | * | 9/2021 | Cheng | | D13/108 |
| D944,198 S | * | 2/2022 | Wu | | D13/108 |
| D955,330 S | * | 6/2022 | Jiang | | D13/108 |
| D961,507 S | * | 8/2022 | Lai | | D13/108 |
| D968,323 S | * | 11/2022 | Wang | | D13/108 |
| D973,588 S | * | 12/2022 | Wang | | D13/108 |
| D975,639 S | * | 1/2023 | Wang | | D13/108 |

FOREIGN PATENT DOCUMENTS

| | | | |
|----|-----------|---|--------|
| CN | 304650946 | * | 5/2018 |
| CN | 304710718 | * | 7/2018 |

OTHER PUBLICATIONS

Blue Bolt Charger—No Announcement Date [online], retrieved on Jan. 18, 2023, retrieved from internet, <https://www.blueboltchargers.com/products/bolthome-3-in-1-charger?variant=36082625544348> (Year: NA).*

ChargeMon—No Announcement Date [online], retrieved on Jan. 18, 2023, retrieved from internet, <https://www.chargemon.com/products/chargemon?currency=USD&variant=34032021864584> (Year: NA).*

Anker Wireless Chargers—Amazon, announced on 2019 16 May [online], retrieved on Jan. 18, 2023 retrieved from internet, <https://www.amazon.co.uk/Anker-Wireless-PowerWave-Qi-Certified-Compatible/dp/B07RX3JWSB> (Year: 2019).*

Acesori—Wireless Charger Stand—No Announcement Date [online], retrieved on Jan. 18, 2023, retrieved from internet, <https://www.acesori.com/products/3in1stand> (Year: NA).*

* cited by examiner

Primary Examiner — Barbara Fox

Assistant Examiner — Noah Perez

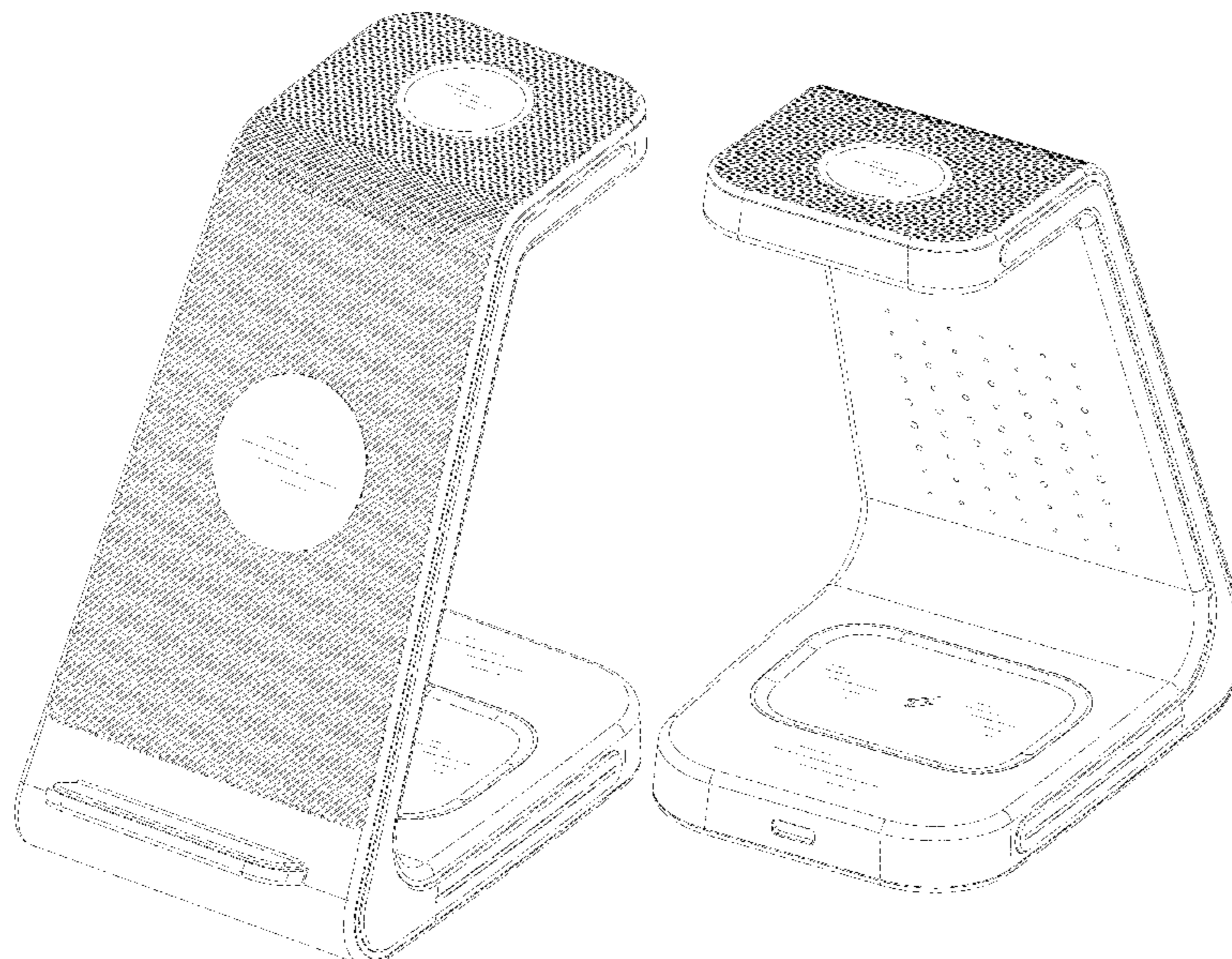
(57) **CLAIM**

The ornamental design for a wireless charger, as shown and described.

DESCRIPTION

FIG. 1 is a front, top, right side perspective view of a wireless charger, showing my new design;
FIG. 2 is a rear, top, left side perspective view thereof;
FIG. 3 is a rear, bottom, left side perspective view thereof;
FIG. 4 is a front elevation view thereof;
FIG. 5 is a rear elevation view thereof;
FIG. 6 is a left side elevation view thereof;
FIG. 7 is a right side elevation view thereof;
FIG. 8 is a top plan view thereof; and,
FIG. 9 is a bottom plan view thereof.

1 Claim, 9 Drawing Sheets



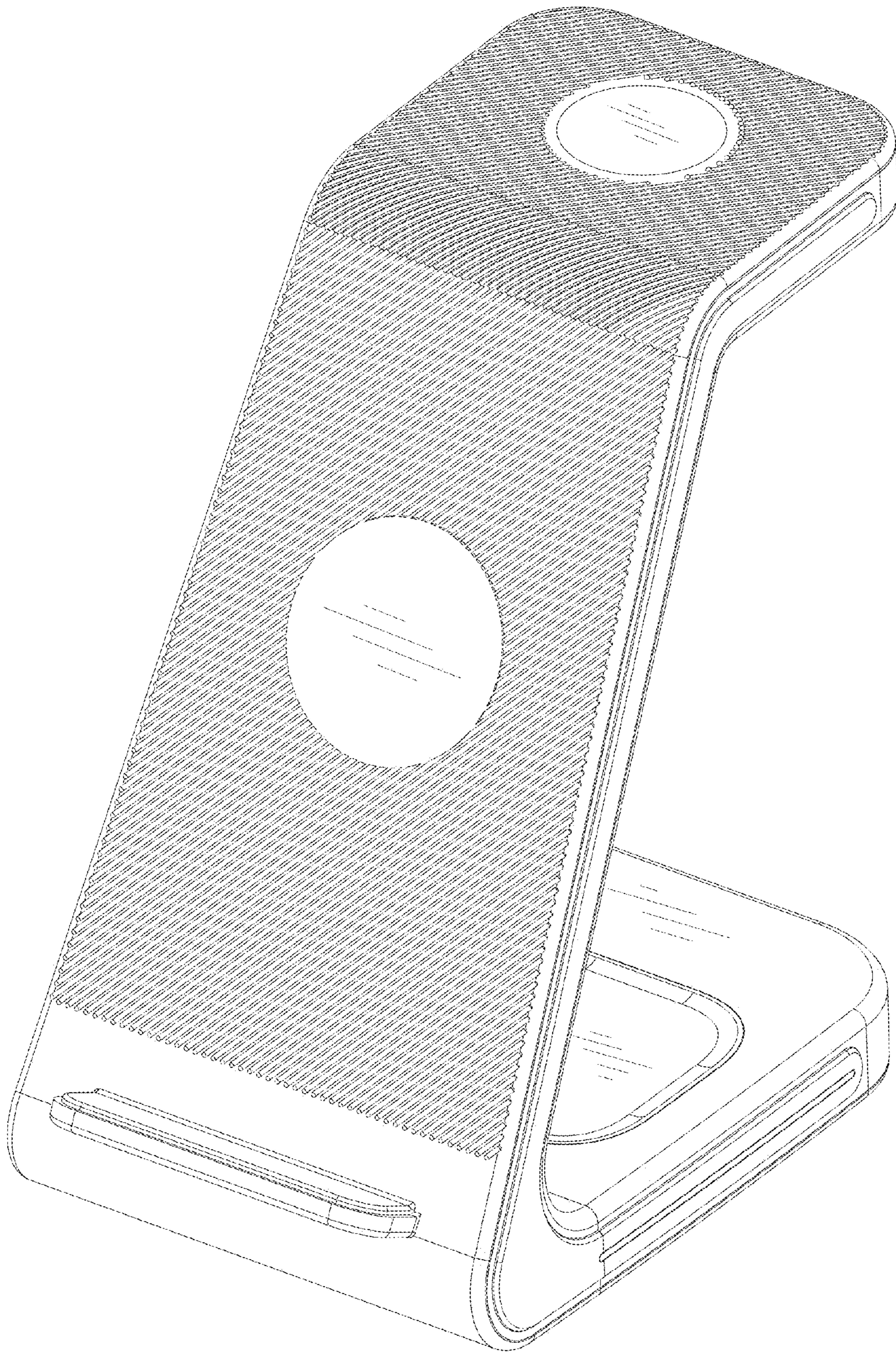


FIG. 1

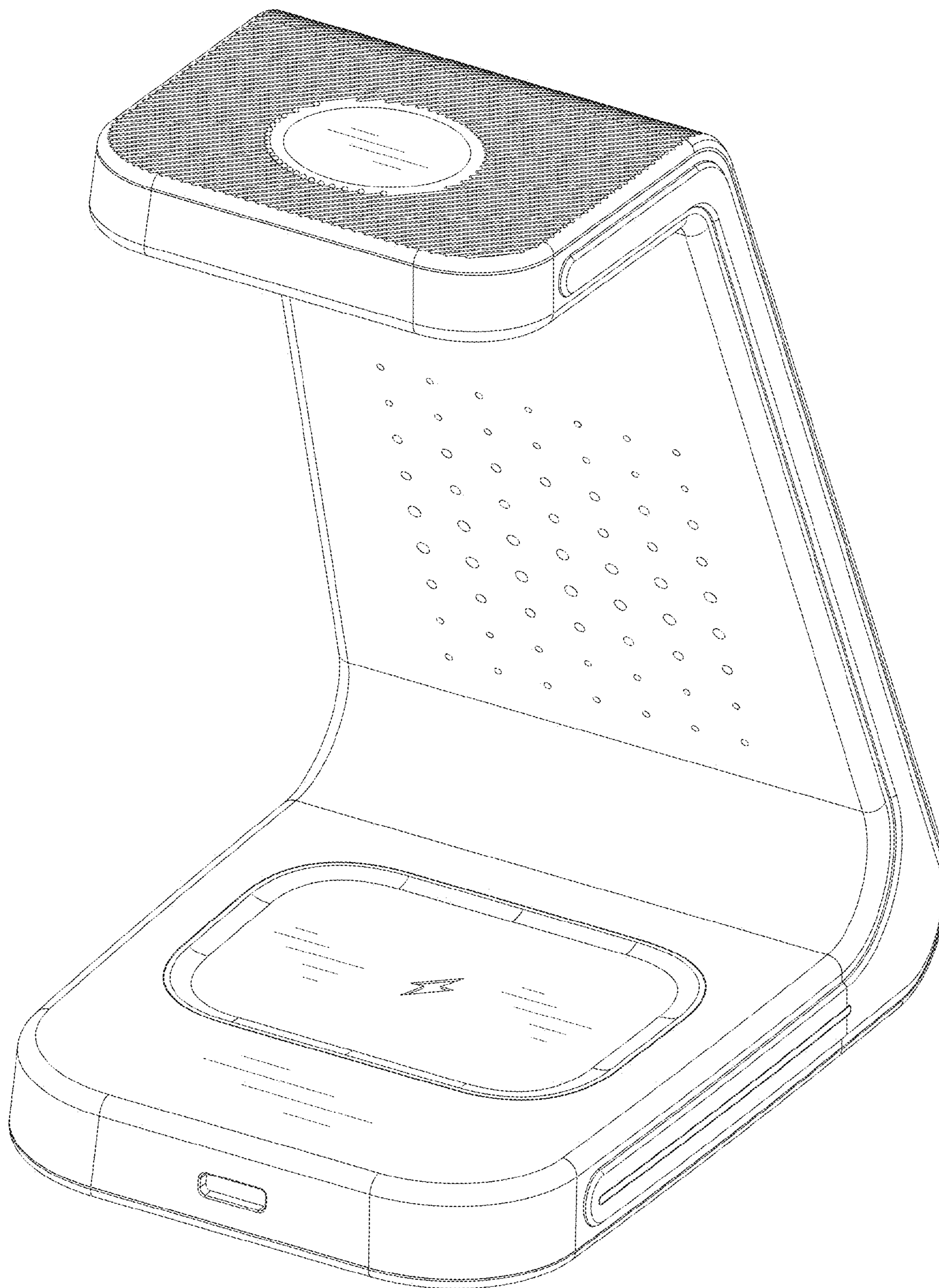


FIG. 2

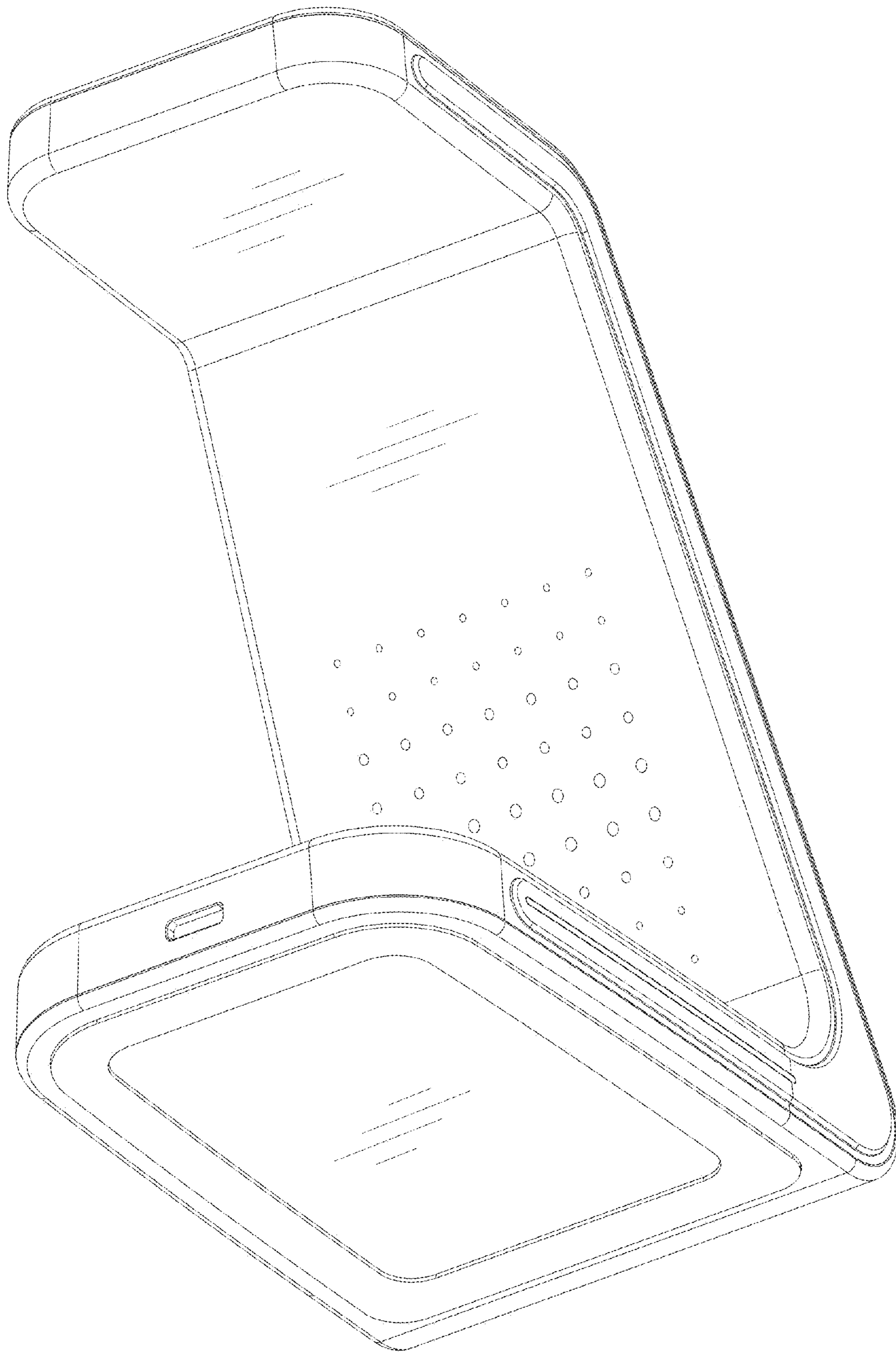


FIG. 3

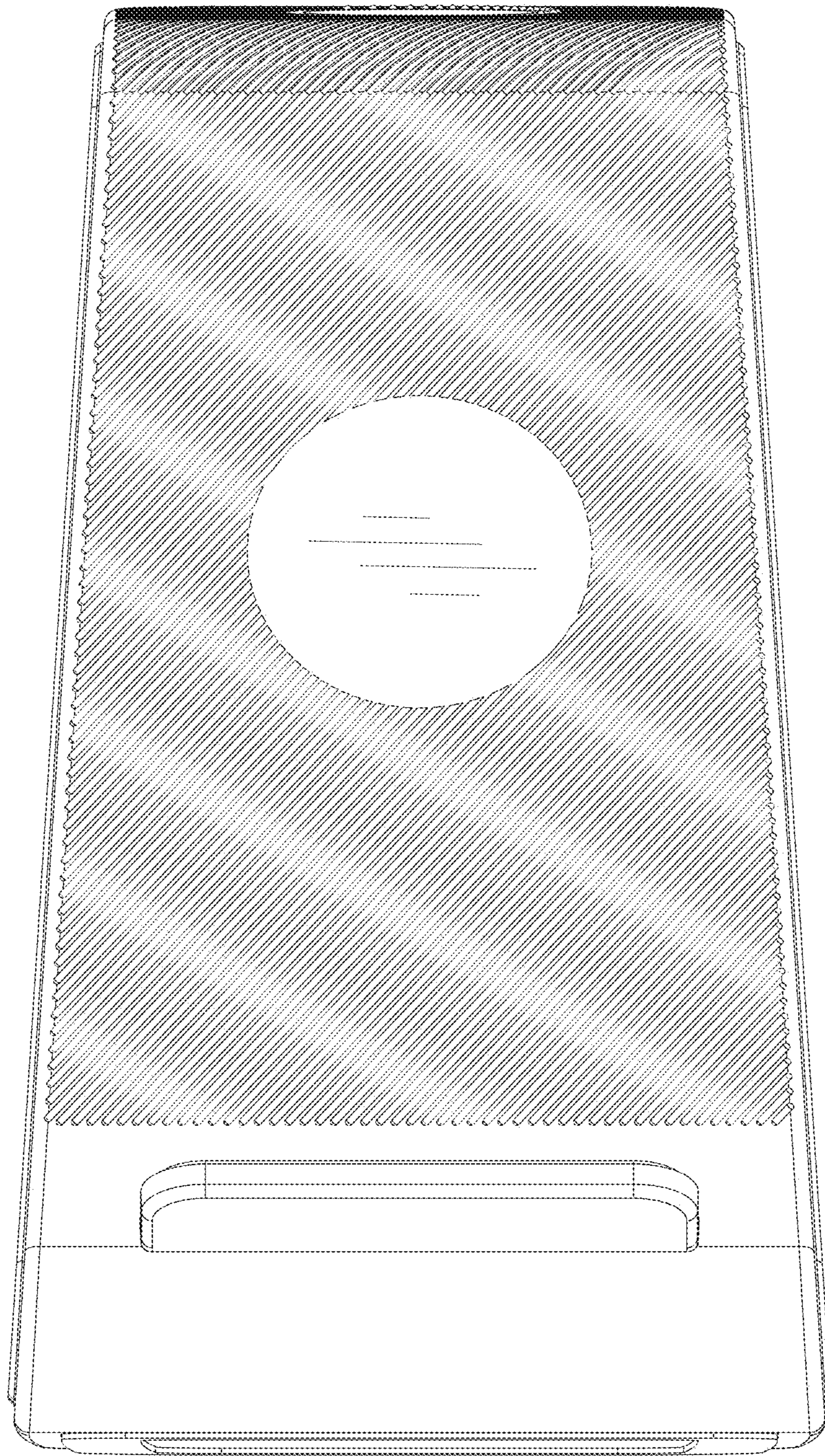


FIG. 4

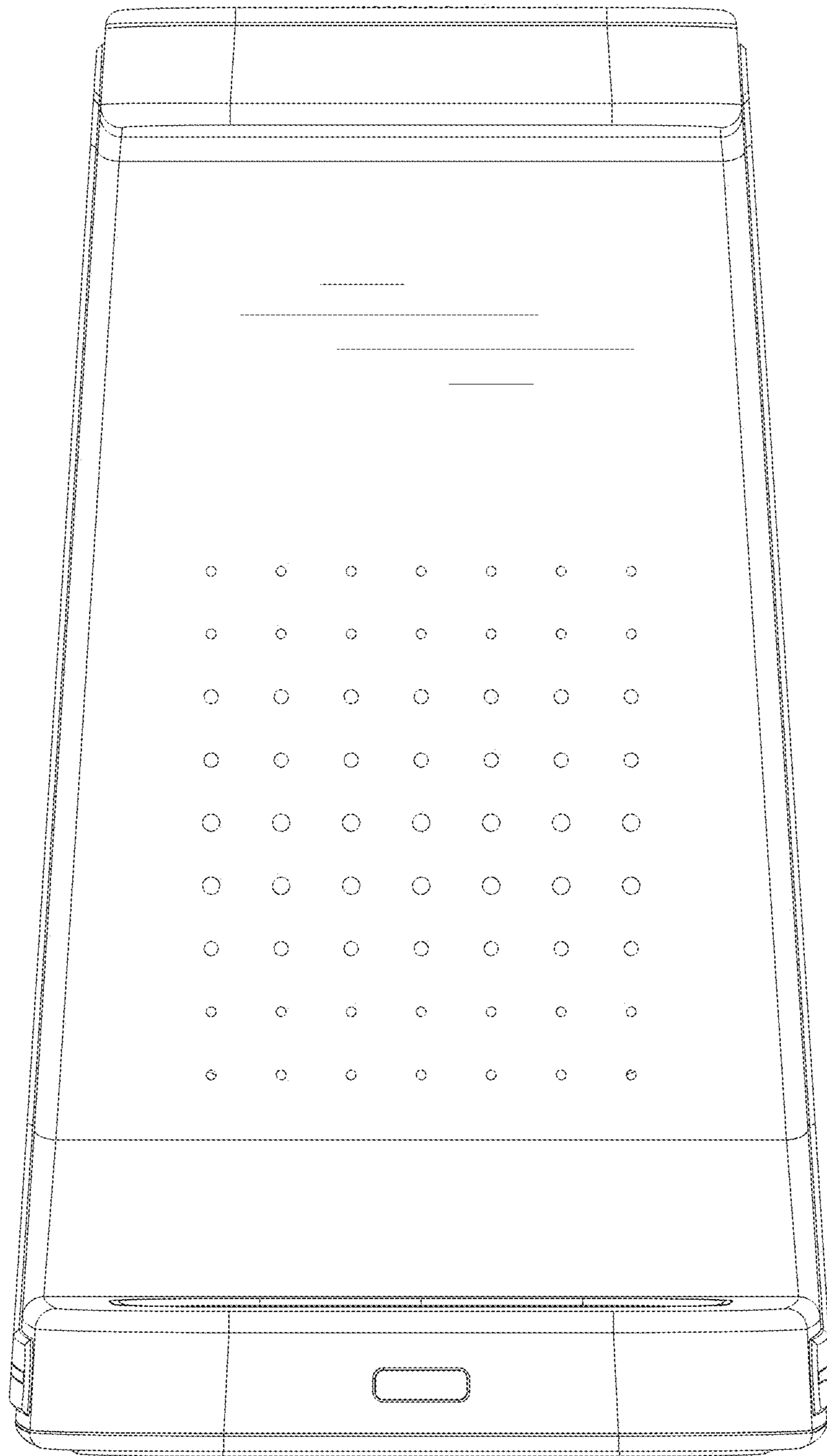


FIG. 5

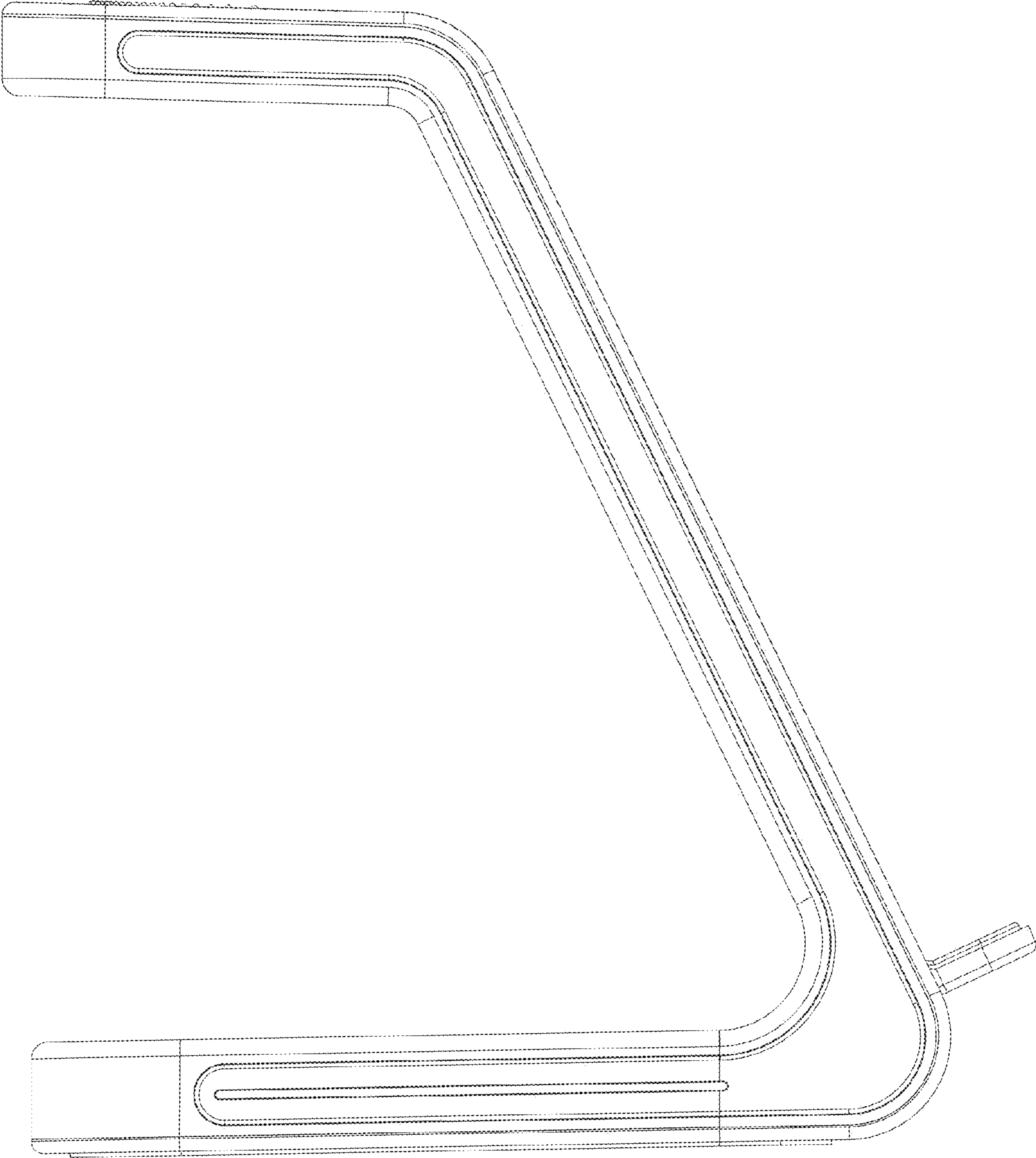


FIG. 6

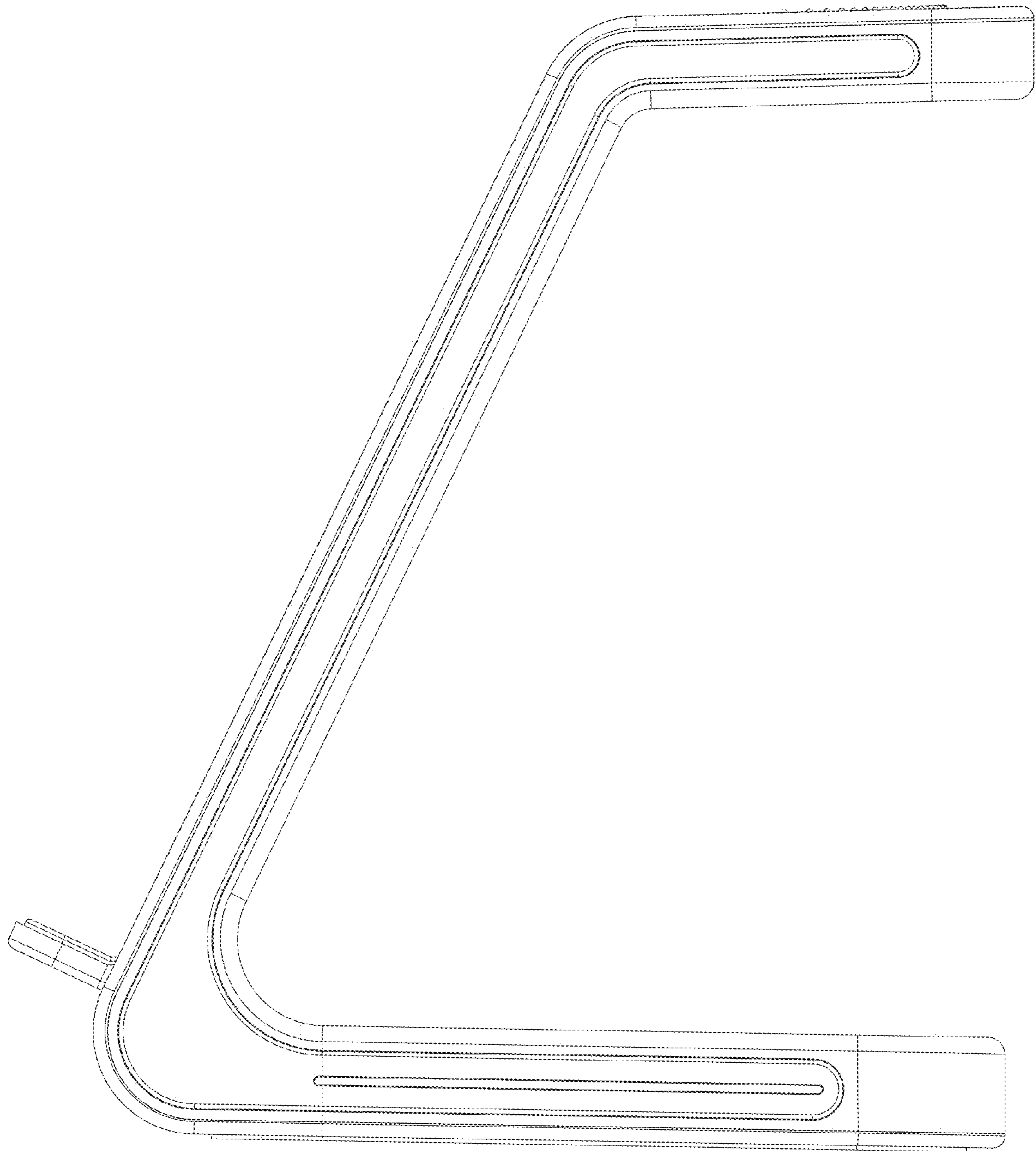


FIG. 7

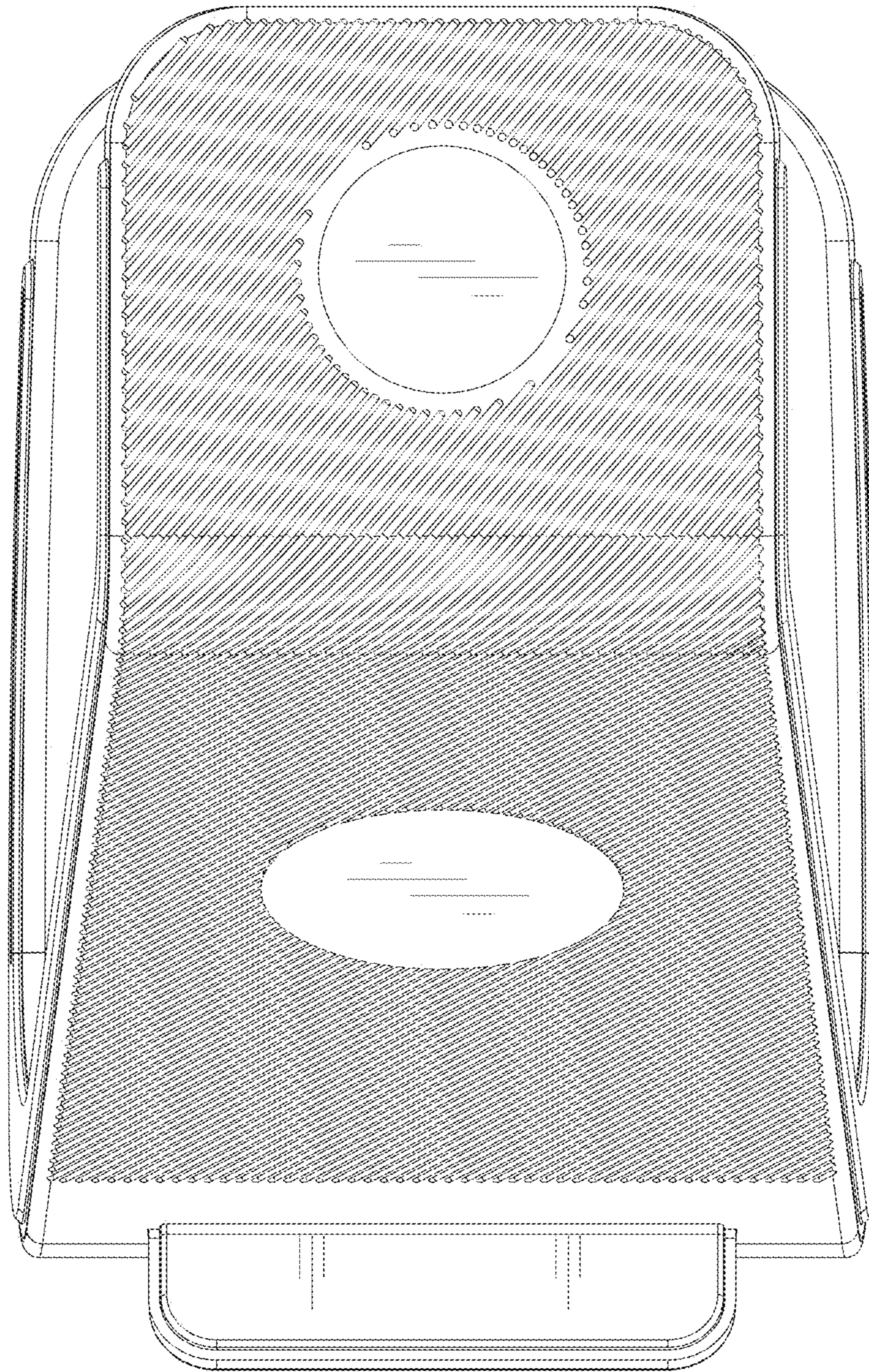


FIG. 8

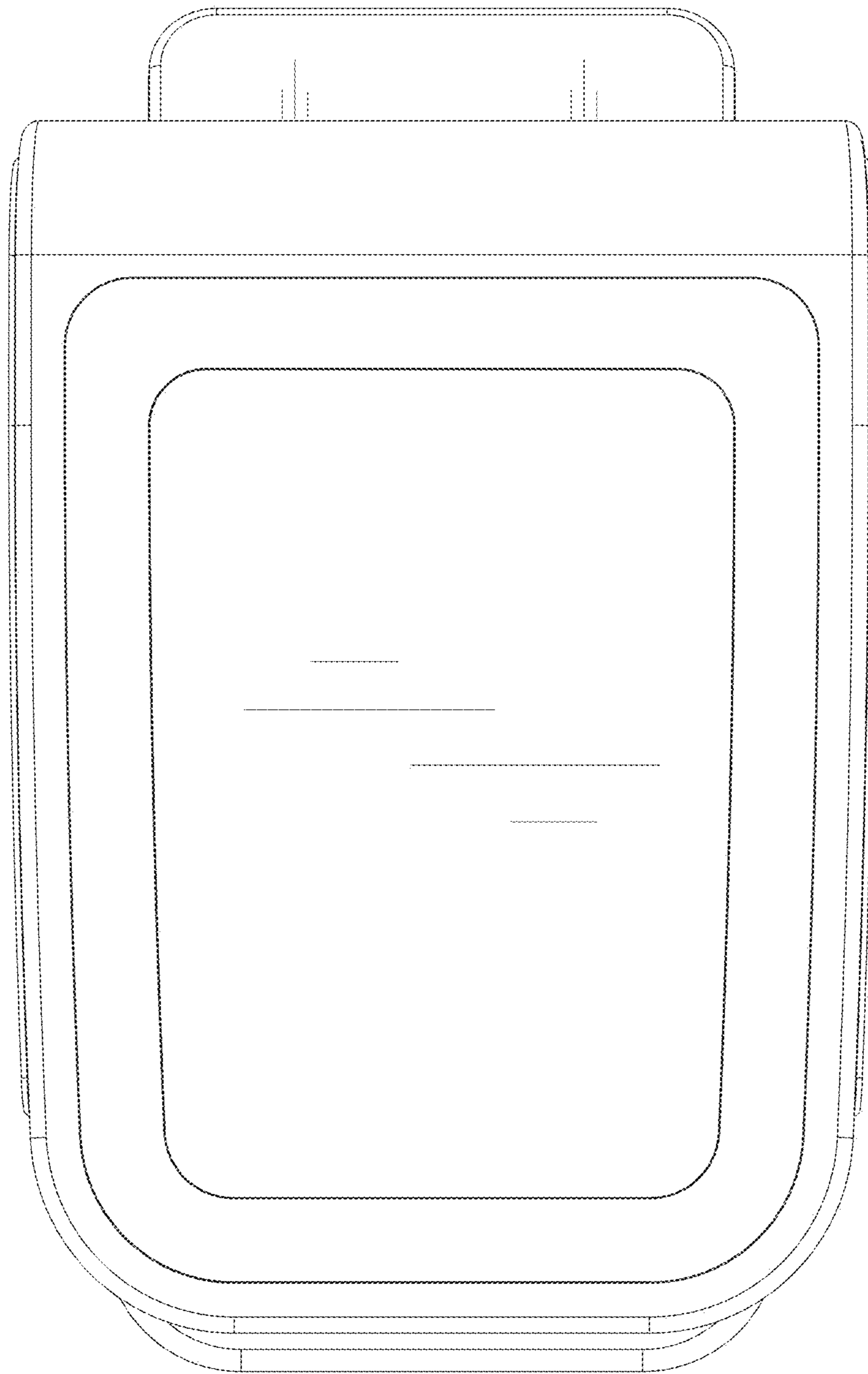


FIG. 9