



US00D984962S

(12) **United States Design Patent**
Meng

(10) **Patent No.:** **US D984,962 S**

(45) **Date of Patent:** **** May 2, 2023**

- (54) **PORTABLE POWER BANK**
- (71) Applicant: **Pan Chen**, Shenzhen (CN)
- (72) Inventor: **Xianjie Meng**, Dongguan (CN)
- (**) Term: **15 Years**

| | | | | |
|-----------------|--------|-------|-------|------------|
| D957,323 S * | 7/2022 | Zhang | | D13/108 |
| D958,745 S * | 7/2022 | Zheng | | D13/112 |
| D959,376 S * | 8/2022 | Wang | | D13/119 |
| D960,087 S * | 8/2022 | Liu | | D13/103 |
| 11,407,064 B2 * | 8/2022 | Ogawa | | B23K 26/21 |

- (21) Appl. No.: **29/790,701**
- (22) Filed: **Dec. 10, 2021**
- (51) **LOC (14) Cl.** **13-02**
- (52) **U.S. Cl.**
USPC **D13/107**
- (58) **Field of Classification Search**
USPC D13/103, 107, 108, 110, 118, 151, 153,
D13/154, 155, 184
CPC Y02E 60/10; Y02E 60/50; H01M 50/10;
H01M 50/107; H01M 50/557; H01M
50/209; H01M 50/502; H01M 2220/30;
H02J 7/00; H02J 7/0003; H02J 7/0011;
H02J 7/0013; H02J 7/0054; H02J 7/0055;
H02J 7/0057
See application file for complete search history.

OTHER PUBLICATIONS

Amazon.com: Shargeek Portable Charger. Date first available of Dec. 21, 2021. Retrieved from the internet at <<https://www.amazon.com/dp/B09NY8GN76/>>, Oct. 11, 2022. 1 page. (Year: 2021).*

* cited by examiner

Primary Examiner — Christy Nemeth
(74) *Attorney, Agent, or Firm* — Rumit Ranjit Kanakia

(57) **CLAIM**

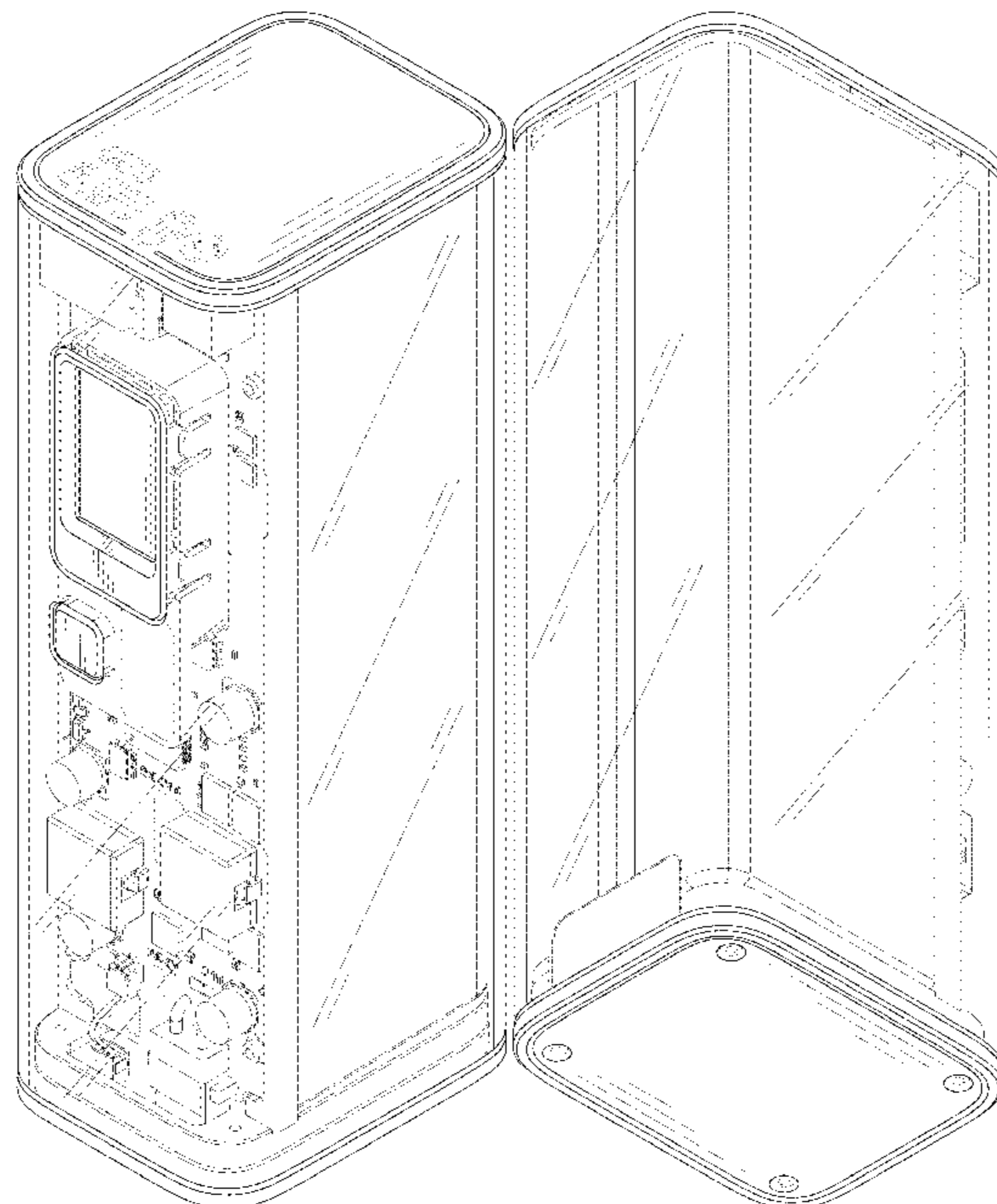
The ornamental design for a portable power bank, as shown and described.

DESCRIPTION

FIG. 1 is a first perspective view of a portable power bank showing my new design;
FIG. 2 is a second perspective view thereof;
FIG. 3 is a front view thereof;
FIG. 4 is a back view thereof;
FIG. 5 is a left side view thereof;
FIG. 6 is a right side view thereof;
FIG. 7 is a top view thereof; and,
FIG. 8 is a bottom view thereof.
The broken lines shown in the drawings depict portions of the portable power bank in which the design is embodied that form no part of the claimed design.

- (56) **References Cited**
U.S. PATENT DOCUMENTS
D805,470 S * 12/2017 Qiu D13/103
D893,419 S 8/2020 Liao
D911,938 S 3/2021 Zhou
D911,939 S 3/2021 Roberts
D938,348 S * 12/2021 Long D13/107
D940,649 S * 1/2022 Porras Nonalaya D13/103
D942,935 S * 2/2022 Wang D13/107
D945,361 S * 3/2022 Cao D13/103
D945,362 S * 3/2022 Sun D13/108
D948,425 S * 4/2022 Emi D13/107
D956,683 S * 7/2022 Baumann D13/103
D956,695 S * 7/2022 Chang D13/124

1 Claim, 8 Drawing Sheets



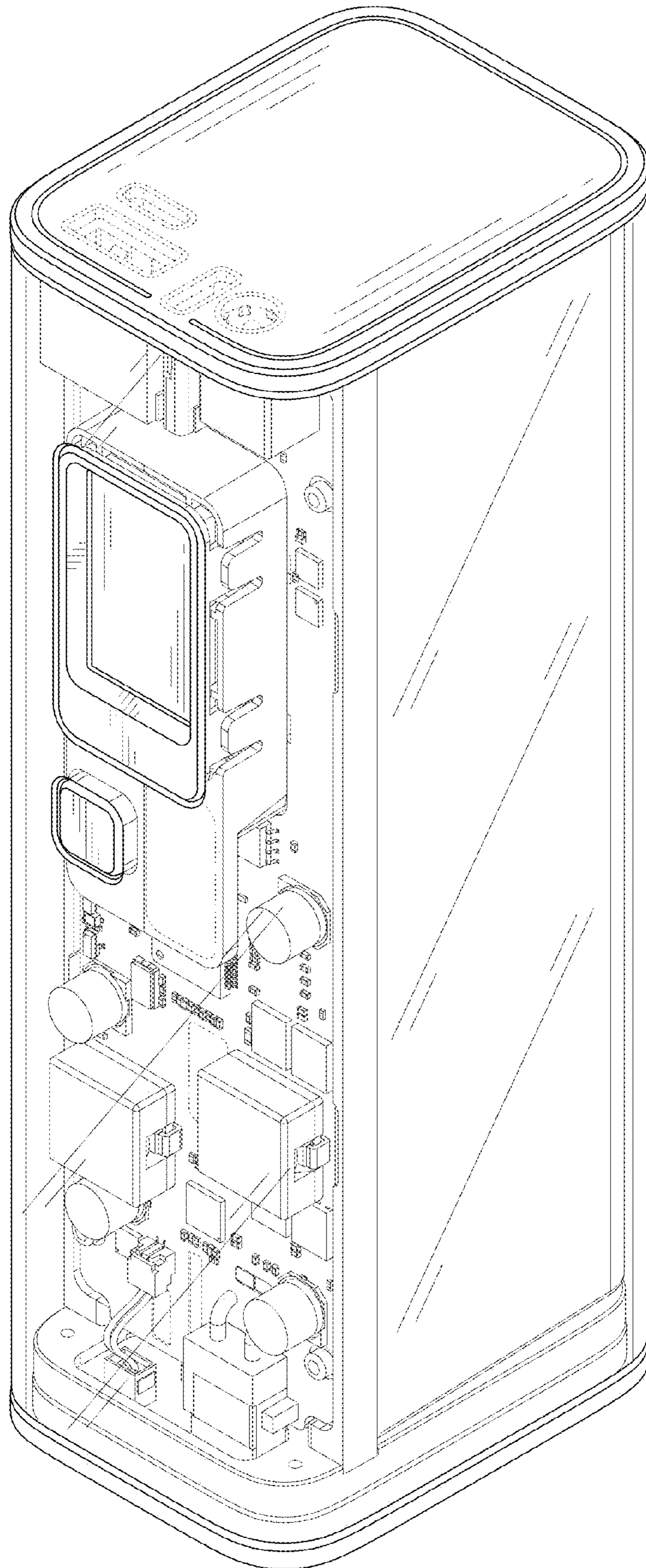


FIG. 1

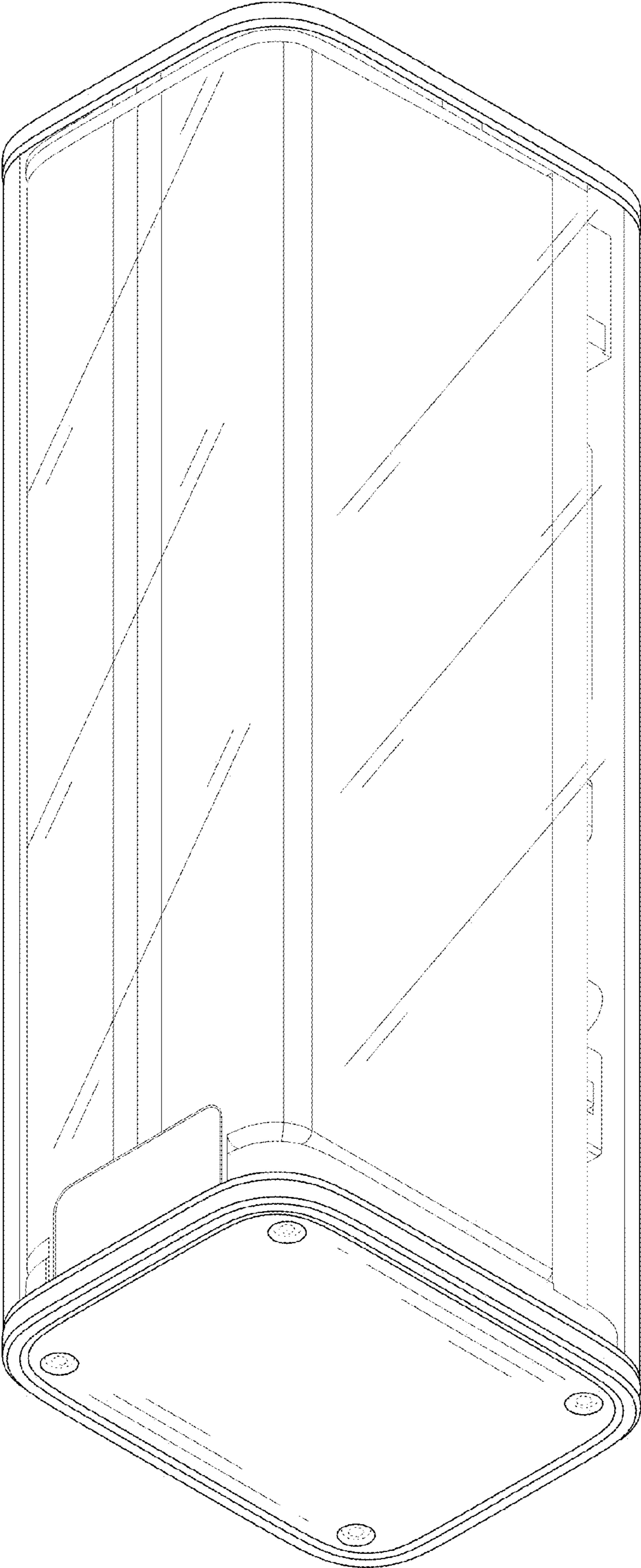


FIG. 2

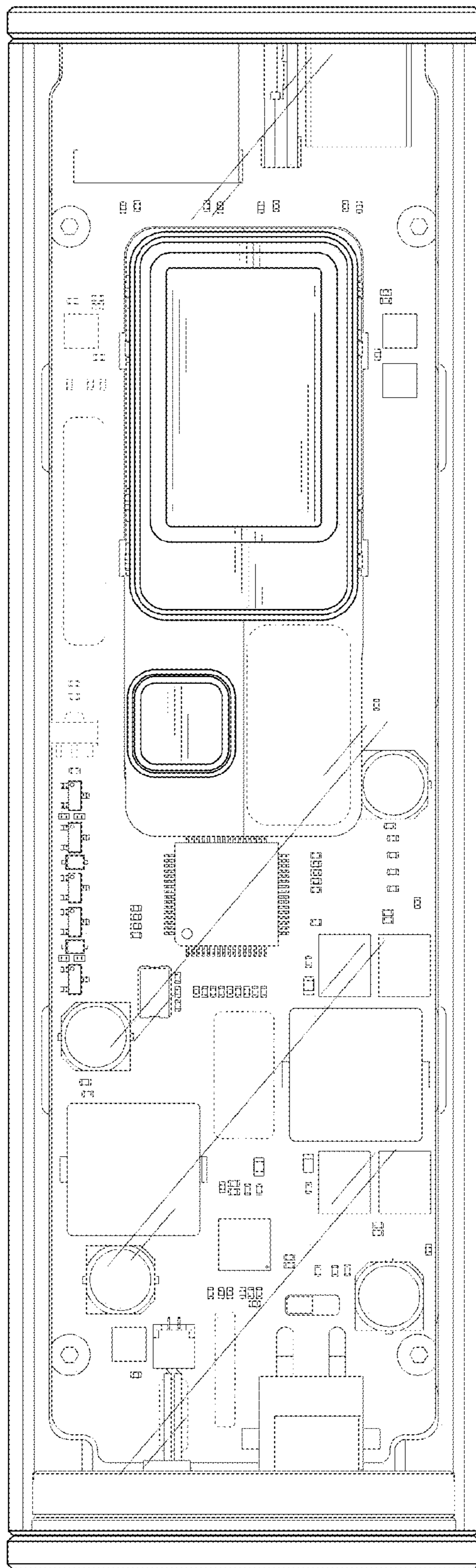


FIG. 3

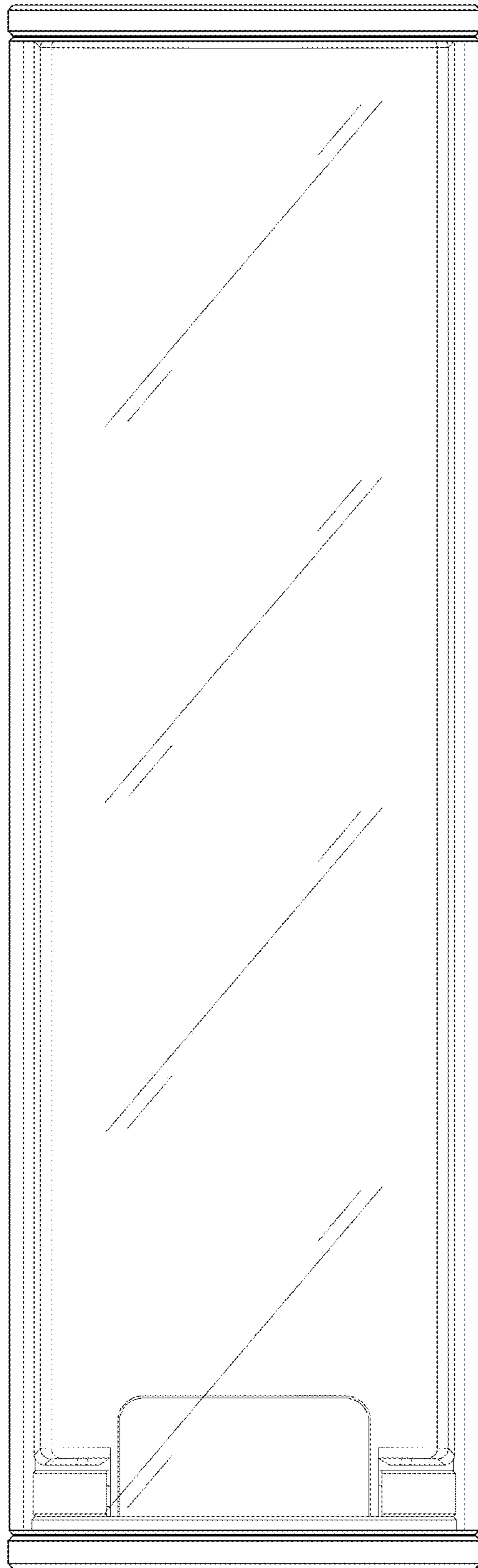


FIG. 4

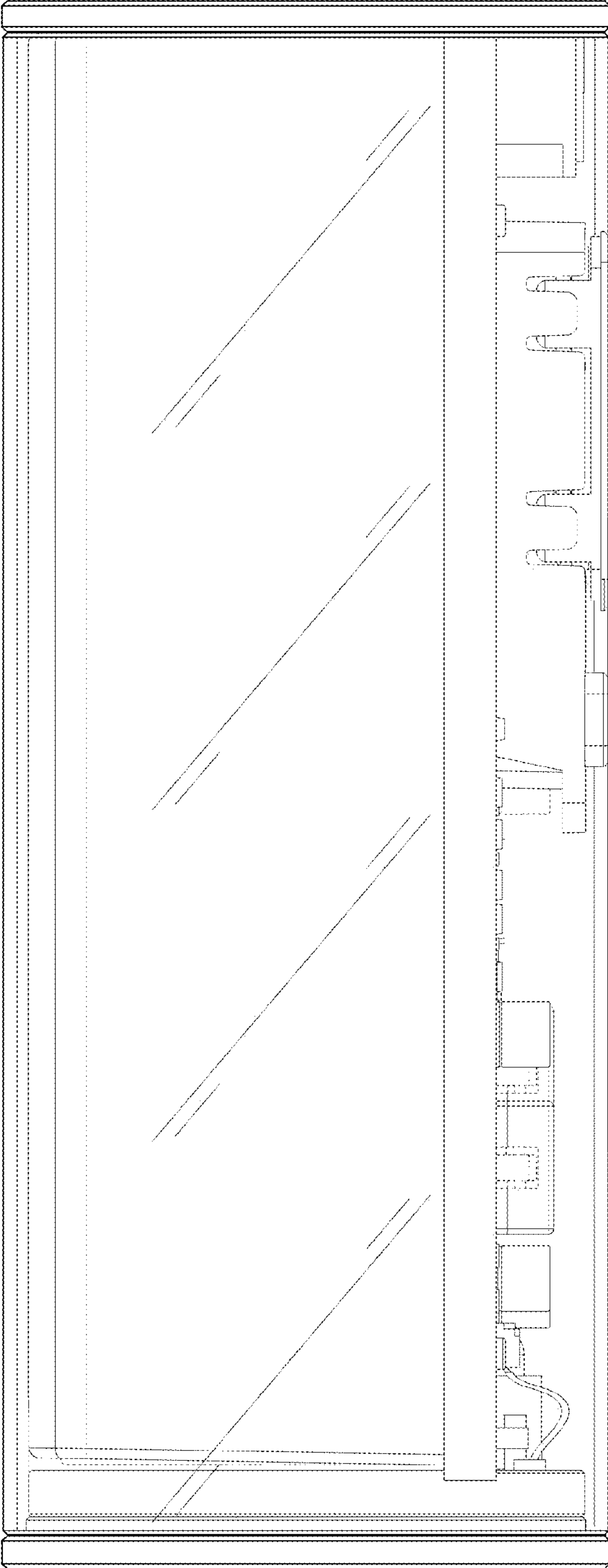


FIG. 5

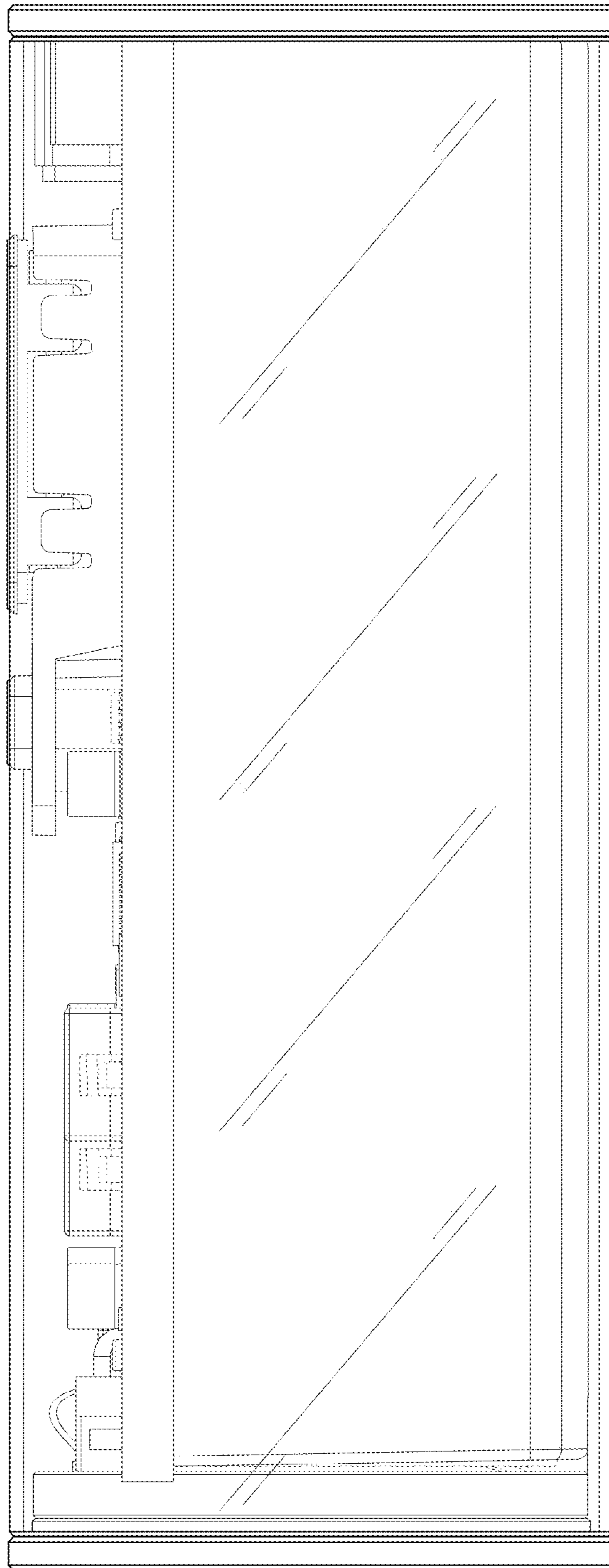


FIG. 6

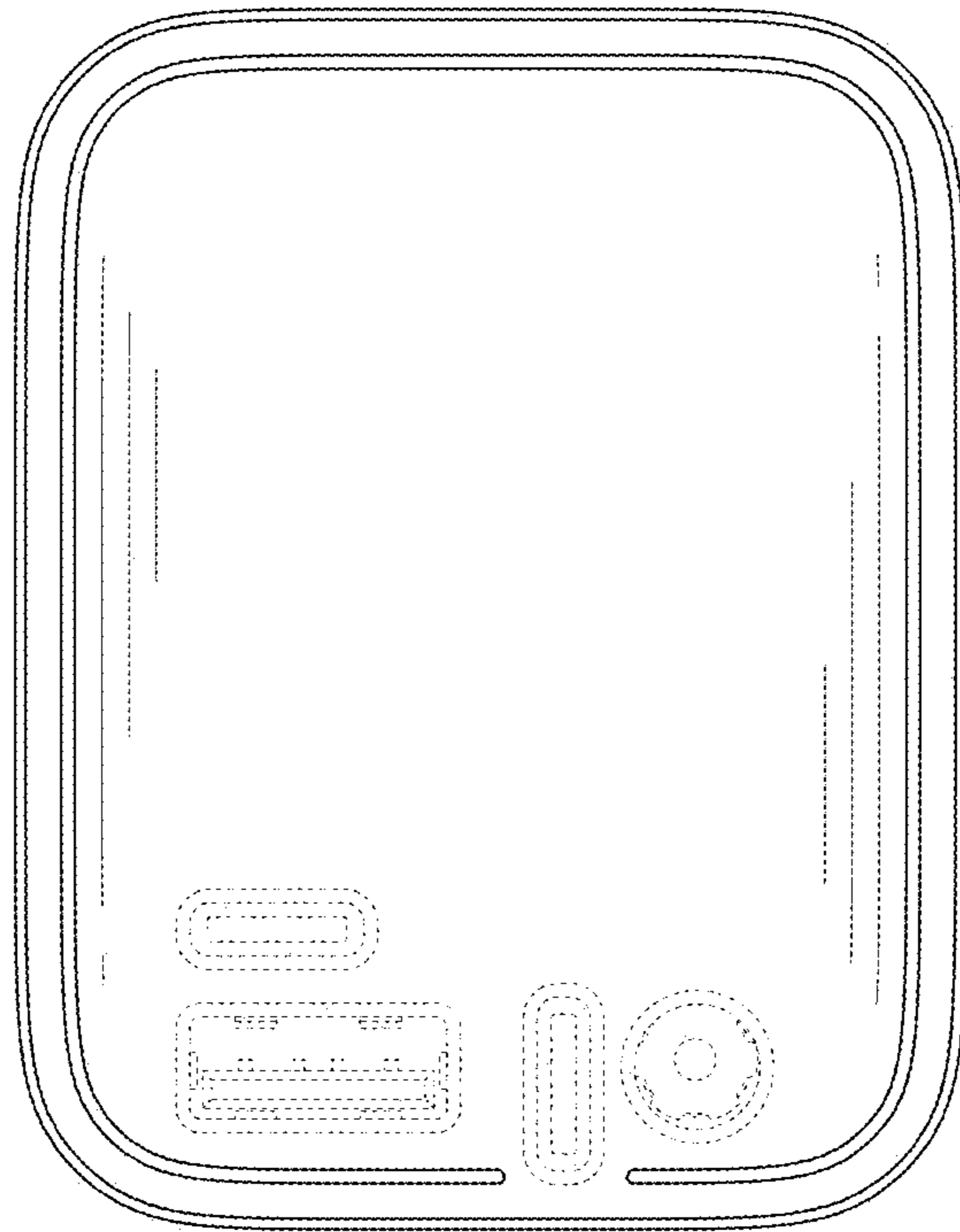


FIG. 7

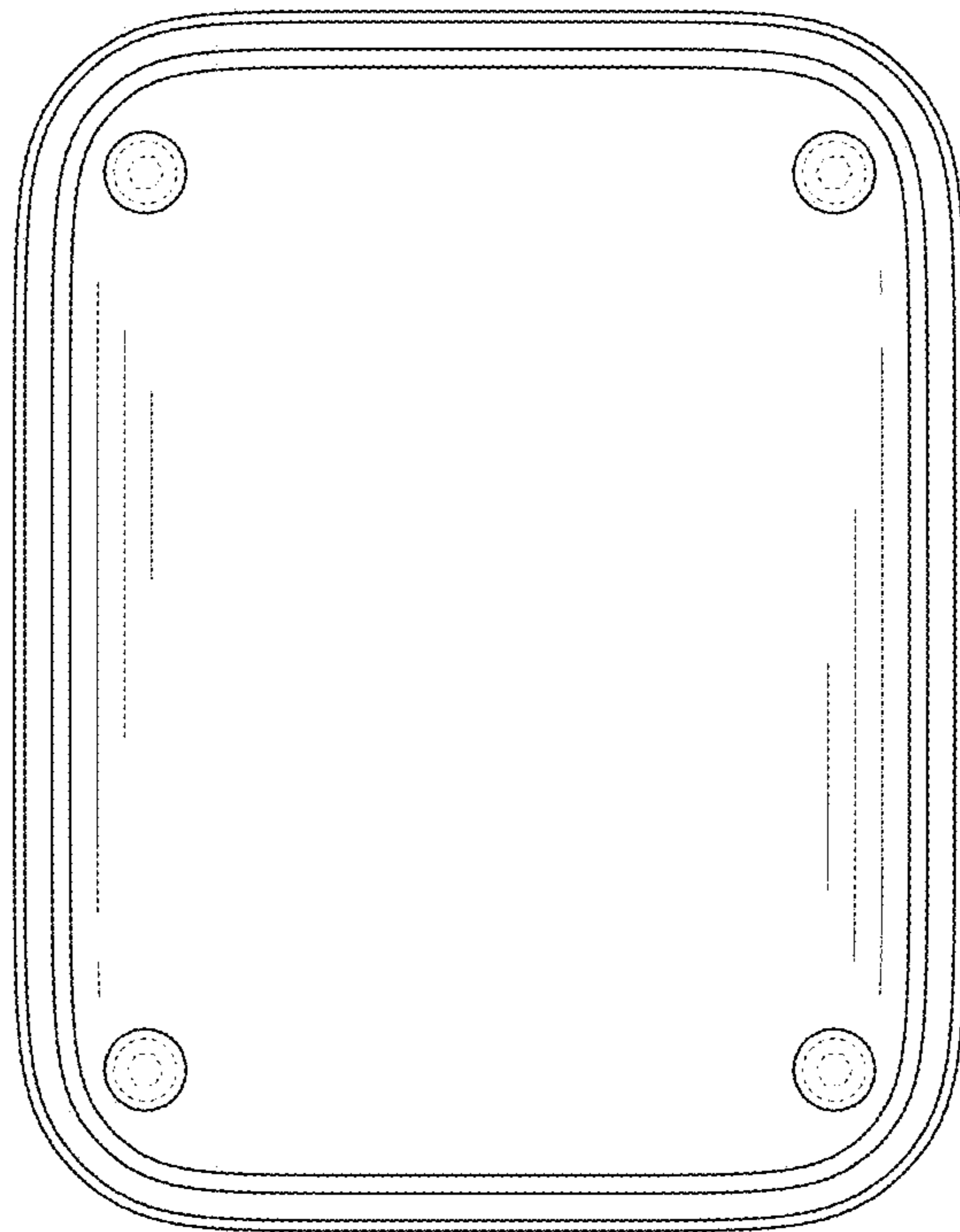


FIG. 8