



US00D984954S

(12) **United States Design Patent** (10) **Patent No.:** **US D984,954 S**
Ajam (45) **Date of Patent:** **** May 2, 2023**

- (54) **ROOF RACK**
- (71) Applicant: **Black Horse Off Road of GA, Inc.**,
Royston, GA (US)
- (72) Inventor: **Fadi Ajam**, Forest Hills, NY (US)
- (73) Assignee: **Black Horse Off Road of GA, Inc.**,
Royston, GA (US)
- (**) Term: **15 Years**
- (21) Appl. No.: **29/788,565**
- (22) Filed: **Jun. 24, 2021**
- (51) **LOC (14) Cl.** **12-16**
- (52) **U.S. Cl.**
USPC **D12/412**
- (58) **Field of Classification Search**
USPC D12/406-414; D32/35, 58; D6/513-514,
D6/317-319
CPC B62J 9/003; B62J 7/06; B62J 9/001
See application file for complete search history.

D879,013 S *	3/2020	Connellan	D12/412
D902,127 S *	11/2020	Ajam	D12/412
D921,568 S *	6/2021	Xia	D12/412
D930,553 S *	9/2021	Suckling	D12/412
D946,491 S *	3/2022	Wissiak	D12/412
2019/0375337 A1 *	12/2019	Gauci	B60R 9/058
2023/0001857 A1 *	1/2023	Gustaveson	B60R 9/045
2023/0036083 A1 *	2/2023	Kirkman	B60R 9/045

* cited by examiner

Primary Examiner — Katrina A Betton
(74) Attorney, Agent, or Firm — Tatonetti IP

(57) **CLAIM**

I claim the ornamental design for a roof rack, as shown and described.

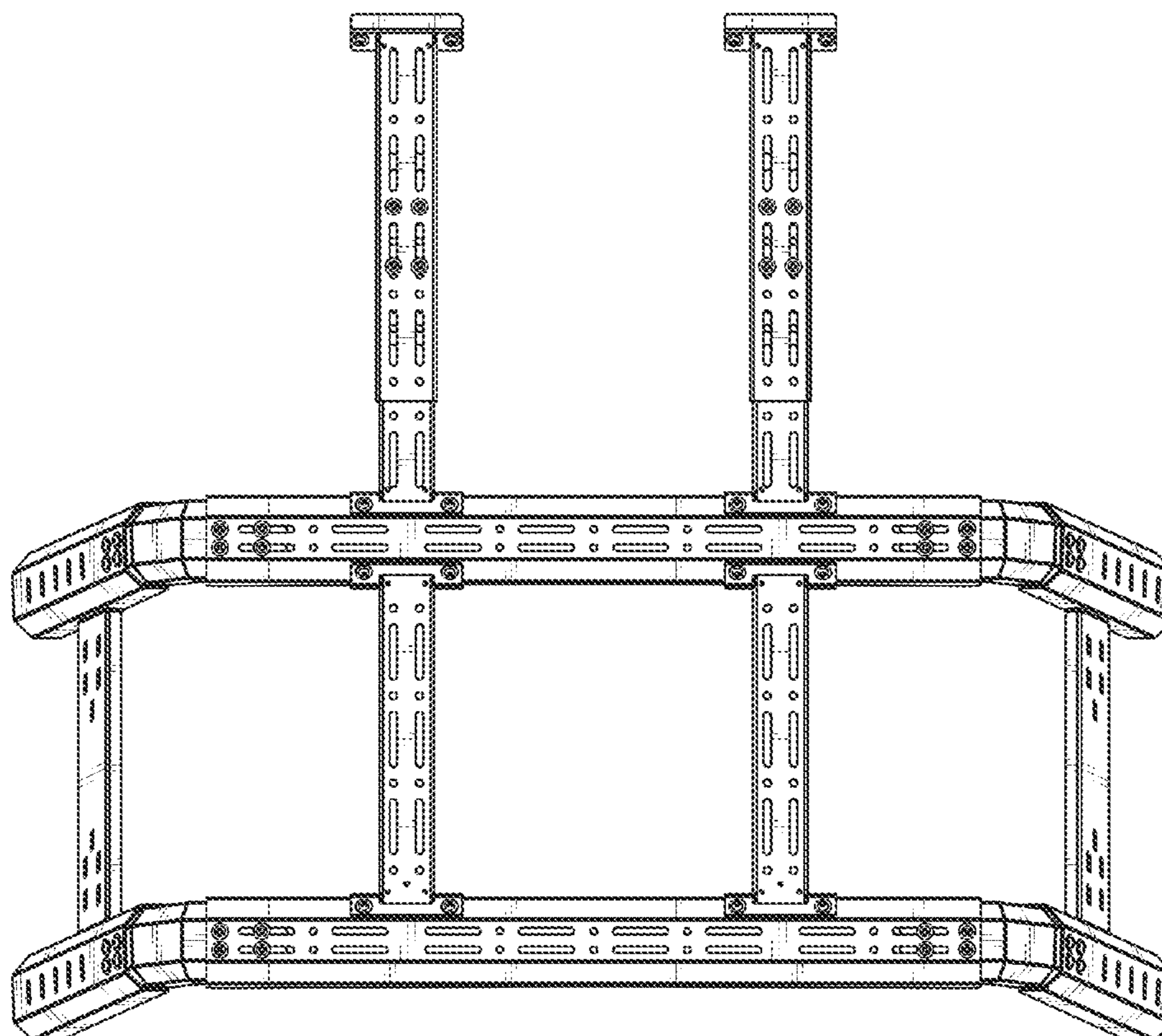
DESCRIPTION

FIG. 1 is a top, rear, left perspective view of a roof rack, showing my new design;
FIG. 2 is a rear elevation view thereof;
FIG. 3 is a front elevation view thereof;
FIG. 4 is a left elevation view thereof;
FIG. 5 is a right elevation view thereof;
FIG. 6 is a top plan view thereof;
FIG. 7 is a bottom plan view thereof; and,
FIG. 8 is a top, left, front perspective view thereof, shown in a state of use.

The broken lines, showing an attachable component in FIG. 8, illustrate environmental structure that forms no part of the claimed design.

1 Claim, 8 Drawing Sheets

- (56) **References Cited**
U.S. PATENT DOCUMENTS
D809,997 S * 2/2018 Conner D12/412
D845,874 S * 4/2019 Annett D12/412
D856,262 S * 8/2019 Marankie D12/412
D864,841 S * 10/2019 Annett D12/412
D865,645 S * 11/2019 Wissiak D12/412



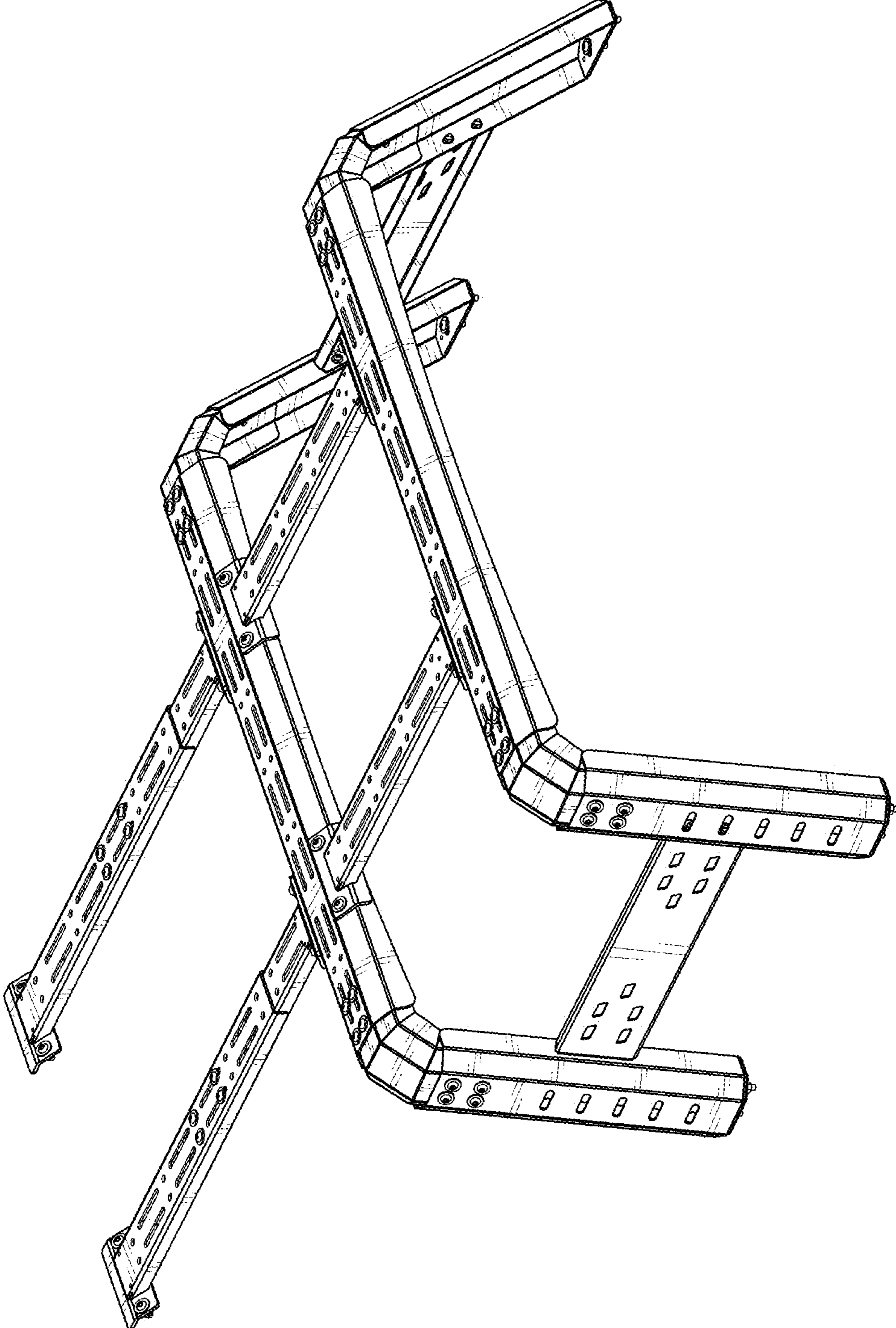


FIG. 1

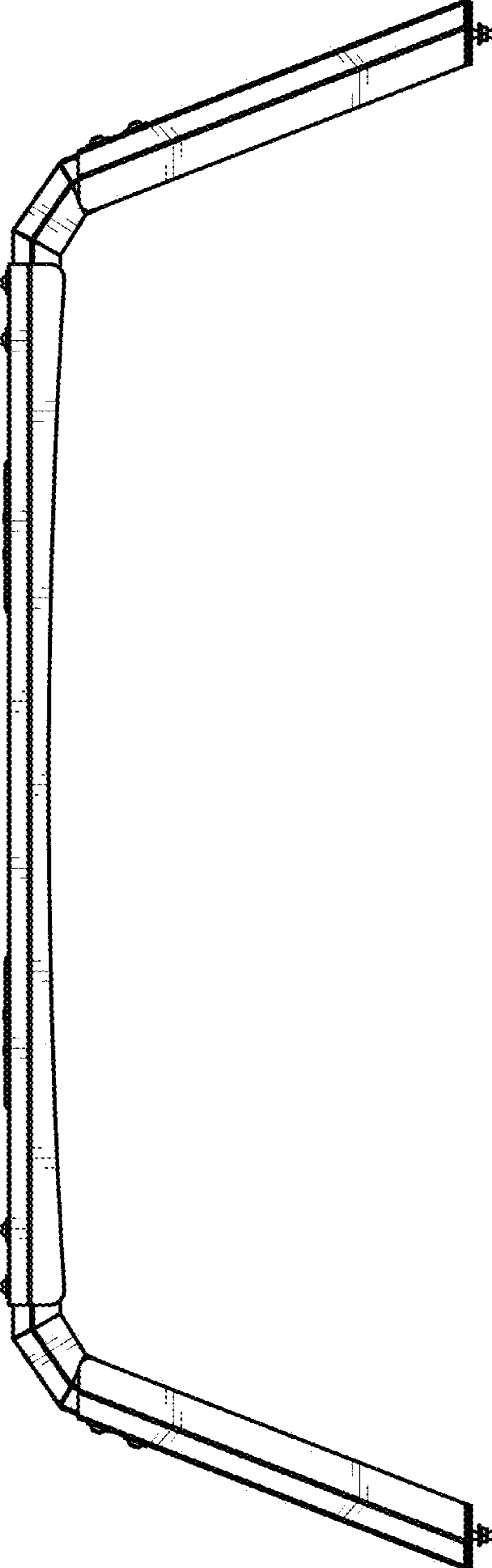


FIG. 2

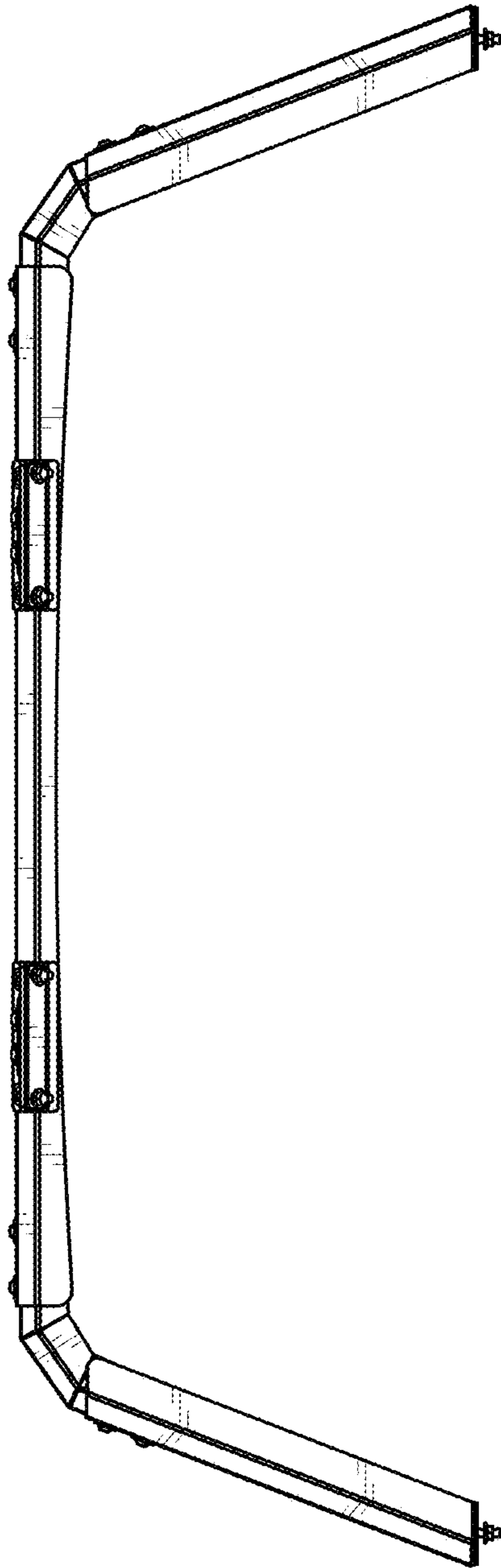


FIG. 3

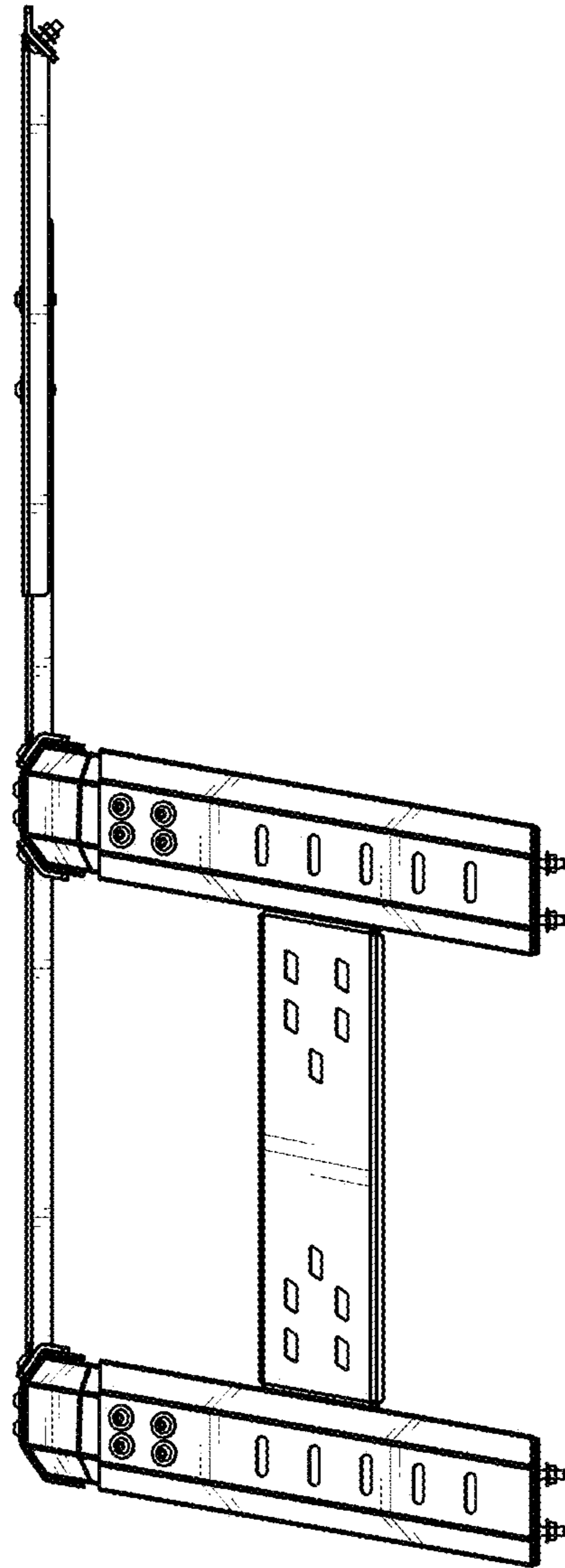


FIG. 4

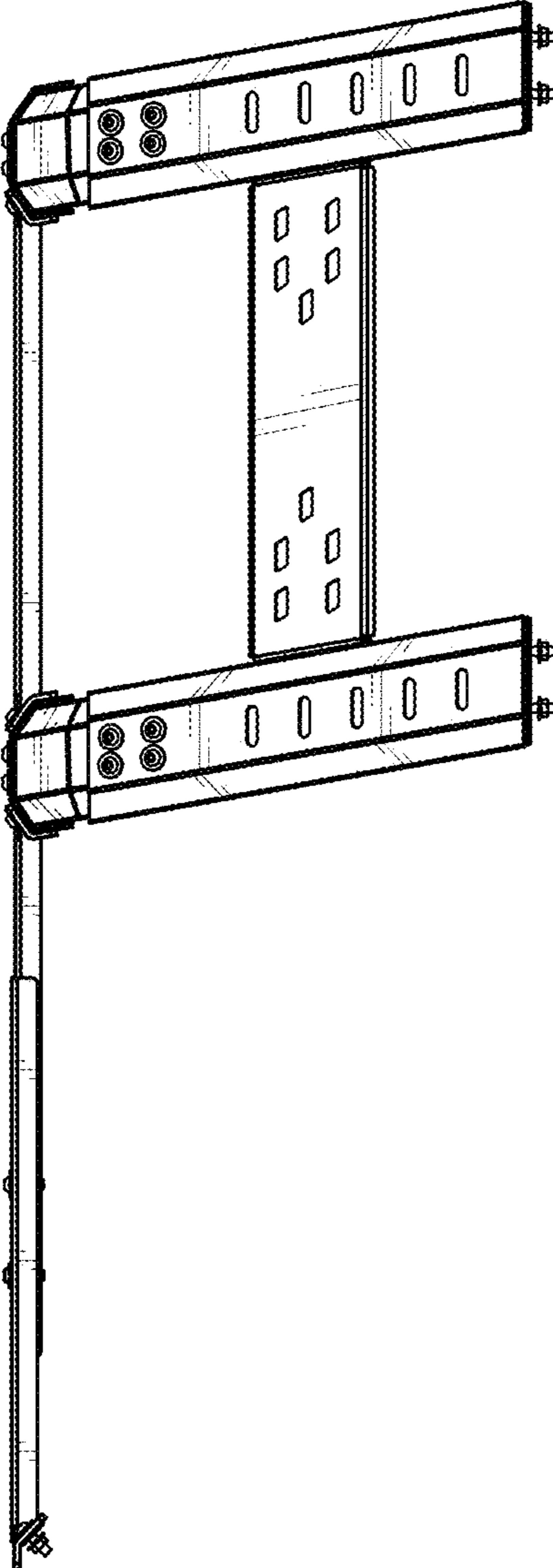


FIG. 5

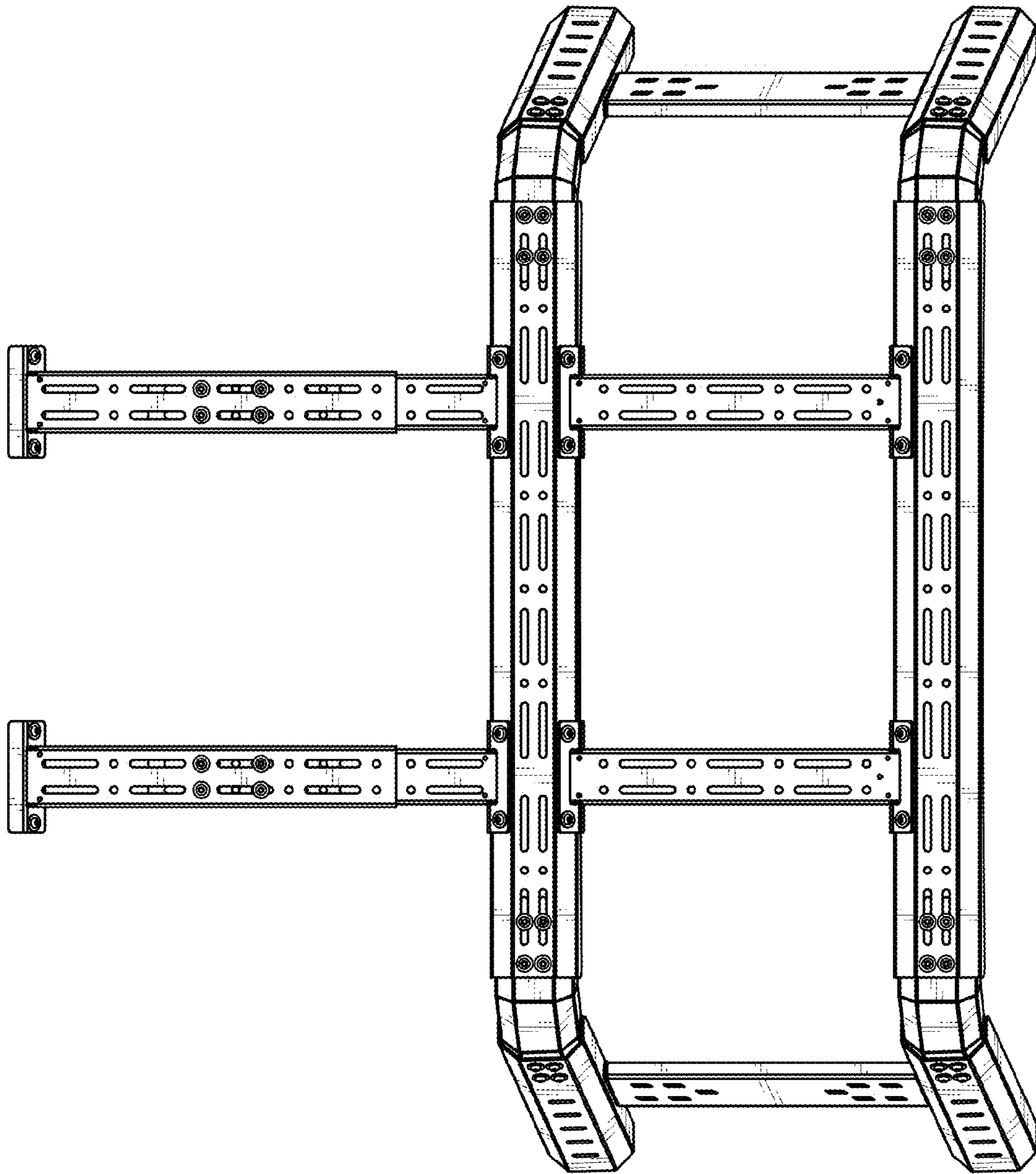


FIG. 6

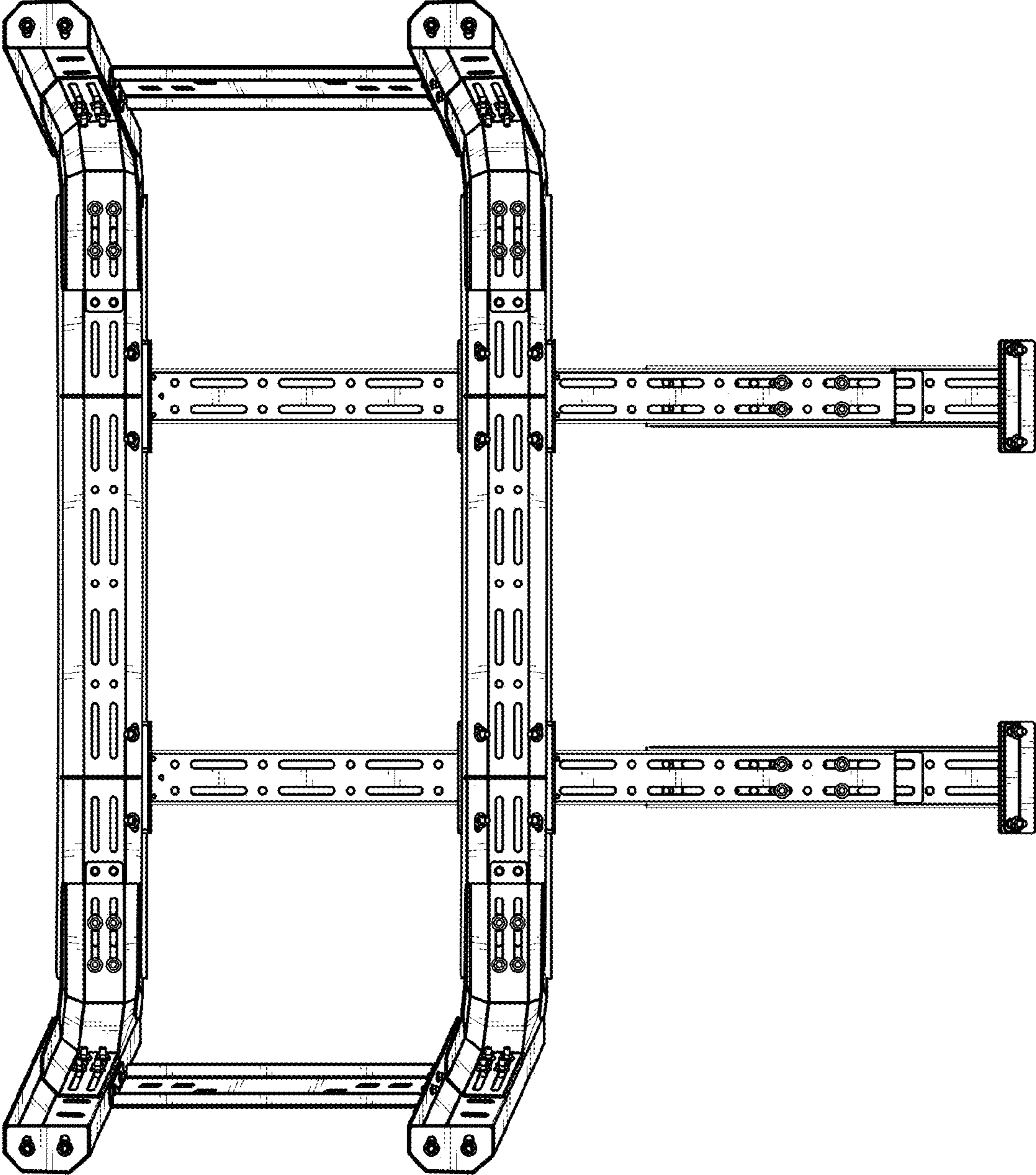


FIG. 7

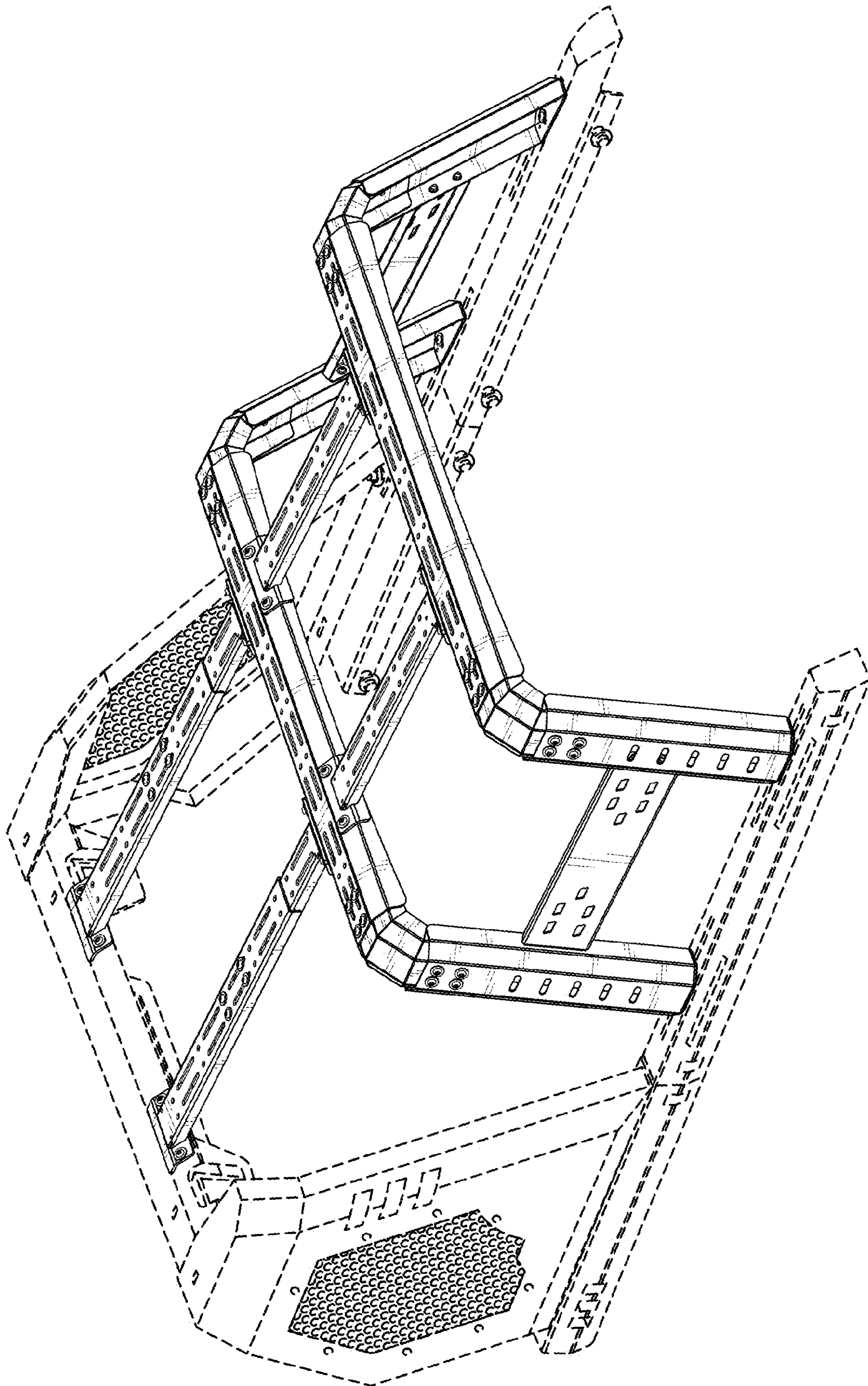


FIG. 8